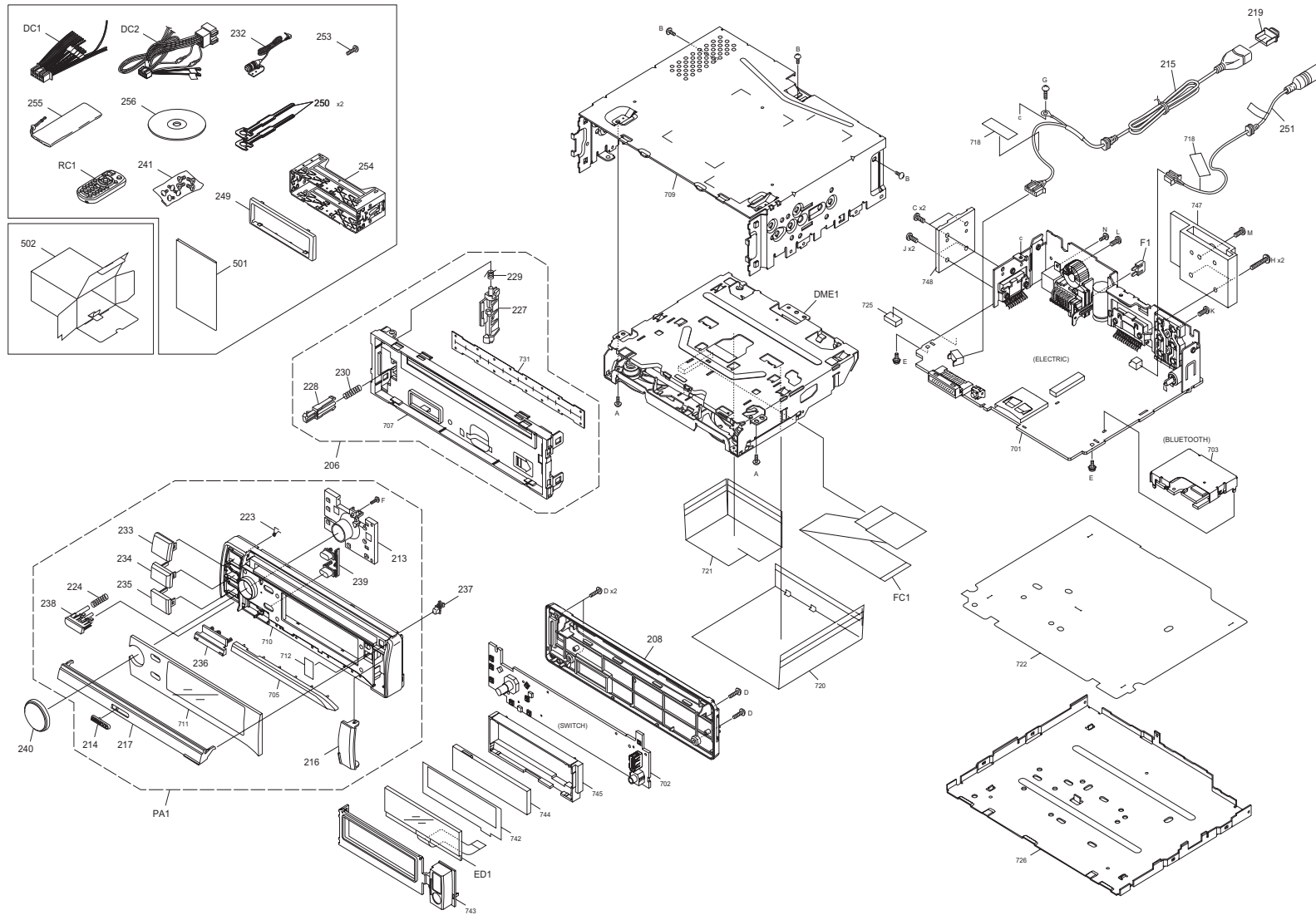


EXPLODED VIEW (UNIT)

Block No.200



Parts with the exploded numbers larger than 700 are not supplied.

created date:2013-04-01

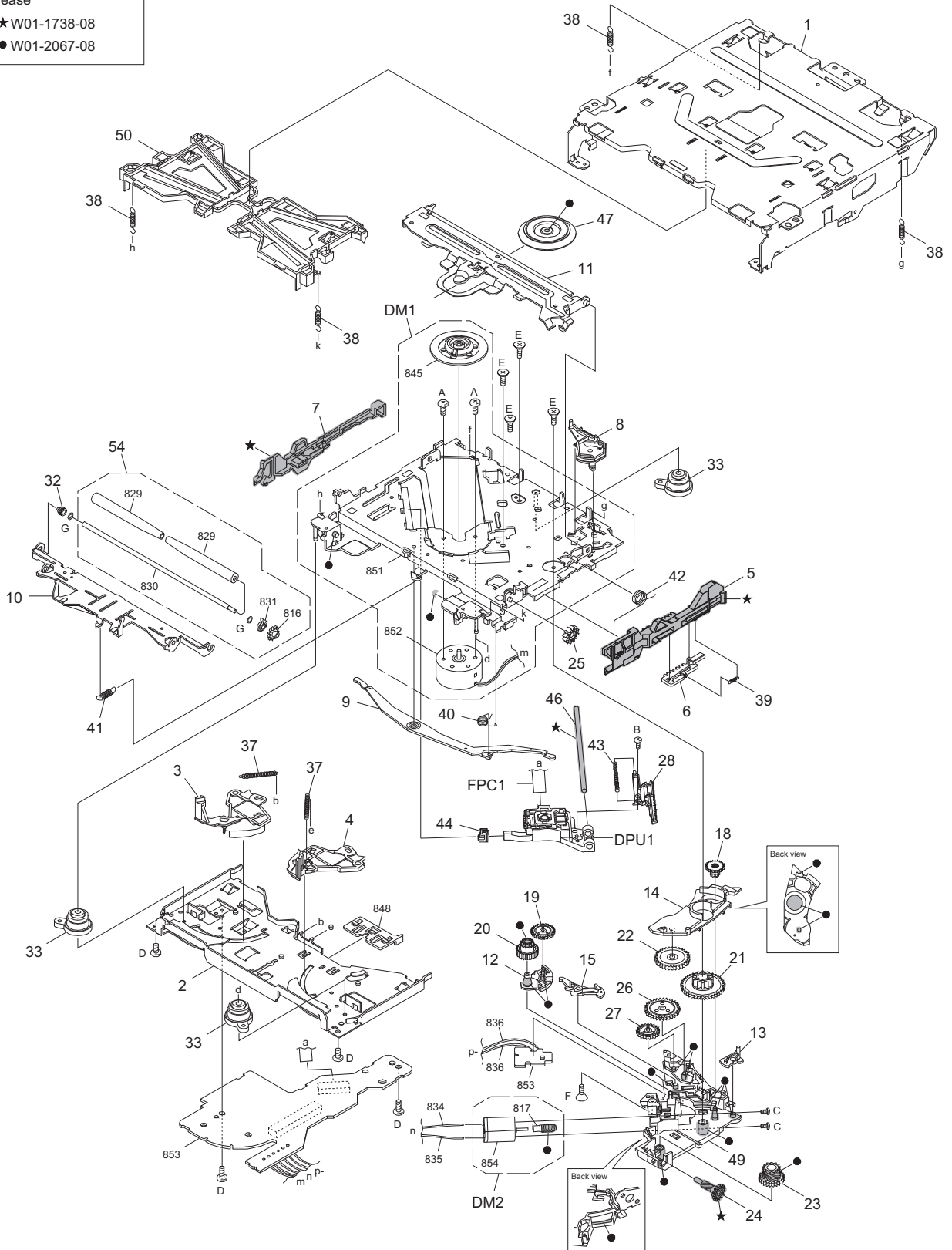
MODEL	MARK	MODEL	MARK	MODEL	MARK	MODEL	MARK
KDC-5057SD	E2	KDC-610U	K7	KDC-655U	K5	KDC-BT855U	K3
KDC-X697	K4	KDC-X897	K2				

Safe	Symbol No.	Parts No.	Parts Name	Description	QTY	Local
EXPLODED VIEW (UNIT) <200>						
△	DC1	E30-6939-05	DC CORD		1	K7,K5,K3,K4,K2
△	DC2	E30-6940-15	DC CORD		1	E2
	DME1	X92-6800-00	MECHANISM ASSY	FC2-1A00WXN	1	
	ED1	B38-1250-05	LCD		1	
△	F1	F52-0023-05	FUSE (10A)	32V	1	
	FC1	E39-1325-05	FLAT CABLE		1	
	PA1	A64-5460-11	PANEL ASSY		1	E2
	PA1	A64-5534-01	PANEL ASSY		1	K7
	PA1	A64-5456-11	PANEL ASSY		1	K5
	PA1	A64-5454-11	PANEL ASSY		1	K3
	PA1	A64-5455-11	PANEL ASSY		1	K4
	PA1	A64-5453-11	PANEL ASSY		1	K2
	RC1	QAL1303-004	REMOTE CONTROL UNIT	RC-406	1	K7,K5,K3,K4,K2
A		QYSDST2604ZA	TAP SCREW	M2.6 x 4mm	2	
B		QYSDST2606ZA	TAP SCREW	M2.6 x 6mm	3	
C		QYSDST2608ZA	TAP SCREW	M2.6 x 8mm	2	
D		QYSPSF2008MA	TAP SCREW	M2 x 8mm	4	
E		N09-6758-05	TAPTITE SCREW		2	
F		N80-2006-48	PAN HEAD TAPTITE SCREW	2X 6	1	
G		N84-2005-48	PAN HEAD TAPTITE SCREW	2X 5	1	
H		GE40377-005A	SPECIAL SCREW		2	
J		GE40662-001A	SPECIAL SCREW		2	
K		QYSDSF2608ZA	TAP SCREW	M2.6 x 8mm	1	
L		QYSDSG3006ZA	TAP SCREW	M3 x 6mm	1	
M		QYSDST2610ZA	TAP SCREW	M2.6 x 10mm	1	
N		QYSDST2606ZA	TAP SCREW	M2.6 x 6mm	1	K7,K5,K3,K4,K2
206		A22-3356-03	SUB PANEL ASSY		1	E2
206		A22-3354-03	SUB PANEL ASSY		1	K7,K5,K3,K4,K2
208		A46-1936-01	REAR COVER		1	
213		B19-2636-02	LIGHTING BOARD		1	
214		B43-1518-04	BADGE		1	
215		E30-8317-05	CORD WITH CONNECTOR	USB	1	E2
215		E30-8326-05	CORD WITH CONNECTOR	USB	1	K7,K5,K3,K4,K2
216		F07-2269-03	COVER	USB	1	
217		F07-2279-02	COVER		1	E2
217		F07-2288-02	COVER		1	K7
217		F07-2275-02	COVER		1	K5
217		F07-2273-02	COVER		1	K3
217		F07-2274-02	COVER		1	K4
217		F07-2272-02	COVER		1	K2
219		F09-2929-04	CAP	USB	1	
223		G01-4823-04	TORSION COIL SPRING		1	
224		G01-4824-04	COMPRESSION SPRING		1	
227		GE35078-001A	LOCK LEVER		1	
228		GE35079-001A	RELEASE LEVER		1	
229		GE40504-001A	SPRING		1	
230		GE40505-001A	SPRING		1	
232		QAN0126-001	MICROPHONE	3m	1	K3,K2
233		K24-5276-03	PUSH KNOB	SRC	1	E2,K7,K5,K3
233		K24-5275-03	PUSH KNOB	SRC	1	K4,K2
234		K24-5278-03	PUSH KNOB	SEARCH/RETURN	1	
235		K24-5282-02	PUSH KNOB	A-Z	1	E2,K7,K5
235		K24-5280-02	PUSH KNOB	TEL	1	K3
235		K24-5281-02	PUSH KNOB	A-Z	1	K4
235		K24-5279-02	PUSH KNOB	TEL	1	K2
236		K24-5286-03	PUSH KNOB	TRACK-UP	1	E2,K7,K5,K3
236		K24-5285-03	PUSH KNOB	TRACK-UP,PLATING	1	K4,K2
237		K24-5290-03	PUSH KNOB	EJECT	1	
238		K24-5291-03	PUSH KNOB	RELEASE	1	
239		K25-3156-03	PUSH KNOB	FOLDER-UP/DOWN	1	
240		K28-0562-13	KNOB ASSY	VOL	1	
241		N99-1757-15	SCREW SET		1	K5,K3,K4,K2
249		B07-3361-02	ESCUTCHEON		1	
250		D10-7139-04	LEVER		2	
251		E30-6832-05	CORD WITH CONNECTOR	MINI JACK	1	K3,K2
253		QYSPSF2008ZA	TAP SCREW	M2 x 8mm	1	K7,K5,K3,K4,K2
254		J22-2049-03	MOUNTING HARDWARE ASSY		1	
255		W01-1710-05	CARRYING CASE		1	E2
255		W01-1664-05	CARRYING CASE	EXCELON	1	K4,K2
256		W01-2061-05	COMPACT DISC		1	E2
501		B59-2186-00	SUB-INSTRUCTION MANUAL	ENG FRE GER DUT ITA SPA POR RUS	1	E2
501		B59-2804-00	SUB-INSTRUCTION MANUAL	ENG FRE SPA	1	K7
501		B59-2187-00	SUB-INSTRUCTION MANUAL	ENG FRE SPA	1	K5,K3,K4,K2
502		H54-5331-03	ITEM CARTON CASE		1	E2
502		H54-5387-13	ITEM CARTON CASE		1	K7
502		H54-5327-03	ITEM CARTON CASE		1	K5
502		H54-5325-03	ITEM CARTON CASE		1	K3
502		H54-5326-03	ITEM CARTON CASE		1	K4
502		H54-5324-03	ITEM CARTON CASE		1	K2

EXPLODED VIEW (CD MECHANISM: X92-6800-00)

Block No.130

Grease
 ★ W01-1738-08
 ● W01-2067-08



Parts with the exploded numbers larger than 800 are not supplied.

MODEL	MARK	MODEL	MARK	MODEL	MARK	MODEL	MARK
KDC-5057SD	E2	KDC-610U	K7	KDC-655U	K5	KDC-BT855U	K3
KDC-X697	K4	KDC-X897	K2				

Safe	Symbol No.	Parts No.	Parts Name	Description	QTY	Local
------	------------	-----------	------------	-------------	-----	-------

EXPLODED VIEW (CD MECHANISM: X92-6800-00) <130>

DM1	X94-2230-00	MD CHASSIS ASSY			1	
DM2	X94-2240-00	LOADING MOTOR ASSY			1	
DPU1	QAL1521-001	PICK UP			1	
FPC1	QAL1465-001	FPC			1	
A	LV45568-001A	MINI SCREW			2	
B	QYSPSGT1745ZA	TAP SCREW	M1.7 x 4.5mm		1	
C	QYSPSPT2025MA	SCREW	M2 x 2.5mm		2	
D	N09-6108-15	TAPTITE SCREW			4	
E	N09-6738-15	GEAR SCREW			4	
F	N09-6921-05	MAIN SHAFT SCREW			1	
G	N19-2356-04	ROLLER WASHER			2	
1	A10-5625-21	OUTER CHASSIS			1	
2	A10-5626-01	LOWER CHASSIS			1	
3	D10-7174-03	DISC ARM L			1	
4	D10-7175-03	DISC ARM R			1	
5	D10-7177-02	SLIDER R			1	
6	D10-7178-03	TRIGER SLIDER			1	
7	D10-7179-02	SLIDER L			1	
8	D10-7180-03	TRIGER ARM			1	
9	D10-7181-13	JOINT LEVER			1	
10	D10-7182-12	ROLLER LEVER			1	
11	D10-7183-02	CLAMP ARM			1	
12	D10-7184-03	TRANSFER ARM			1	
13	D10-7185-04	SL LOCK CAM			1	
14	D10-7186-03	SL LOCK ARM			1	
15	D10-7187-13	PICK LOCK ARM			1	
18	D13-3104-04	HELICAL GEAR 1			1	
19	D13-3105-04	TRANSFER GEAR			1	
20	D13-3106-04	LOAD GEAR H			1	
21	D13-3107-04	DRIVE GEAR			1	
22	D13-3108-04	JOINT GEAR			1	
23	D13-3109-04	WORM GEAR 2			1	
24	D13-3110-04	HELICAL GEAR 2			1	
25	D13-3111-04	LOAD GEAR V			1	
26	D13-3112-04	PICK GEAR 1			1	
27	D13-3113-04	PICK GEAR 2			1	
28	D13-3114-03	RACK GEAR			1	
32	D23-0974-14	ROLLER RETAINER L			1	
33	D39-0401-05	DAMPER 1			3	
37	G01-4810-04	DISC ARM SPRING			2	
38	G01-4811-14	FLOATING SPRING F			4	
39	G01-4813-04	TRIGER SPRING			1	
40	G01-4814-04	LOAD SPRING			1	
41	G01-4815-04	ROLLER SPRING			1	
42	G01-4816-04	CLAMP SPRING			1	
43	G01-4817-04	PICK SPRING			1	
44	LV36813-501A	SUB GUIDE CAP			1	
46	LV44555-001A	MAIN SHAFT			1	
47	J11-0692-03	CLAMPER			1	
49	J19-7360-11	GEAR HOLDER			1	
50	J90-1209-11	DISC GUIDE			1	
54	X94-2250-00	ROLLER ASSY			1	

MODEL	MARK	MODEL	MARK	MODEL	MARK	MODEL	MARK
KDC-5057SD	E2	KDC-610U	K7	KDC-655U	K5	KDC-BT855U	K3
KDC-X697	K4	KDC-X897	K2				

Safe	Symbol No.	Parts No.	Parts Name	Description	QTY	Local
ELECTRIC UNIT (X34-750x-xx) <X34>						
	IC1	LV5684PVD	IC(ANALOGUE)		1	
	IC31	BD9876EFJ	IC(MOS-IC)	3.0A DOWN DCDC 1CH	1	
	IC41	BD9876EFJ	IC(MOS-IC)	3.0A DOWN DCDC 1CH	1	
	IC51	BD9876EFJ	IC(MOS-IC)	3.0A DOWN DCDC 1CH	1	
	IC71	TPS2553DBV	IC(MOS-IC)		1	
	IC81	TPS2553DBV	IC(MOS-IC)		1	
	IC171	XC6201P502MR	IC(ANALOGUE)		1	K7,K5,K3,K4,K2
	IC181	BU1CTD3WG	IC(ANALOGUE)	1.25V	1	
	IC201	TB2931HQ	IC(ANALOGUE)	25PIN 1.0MM PITCH	1	
	IC251	TDA7720B-X	IC(ANALOGUE)		1	
	IC301	TEF6642HW	IC(ANALOGUE)		1	
	IC302	BU12TD3WG	IC(ANALOGUE)	1.2V	1	
	IC461	TC7SET08FU-F	IC(MOS-IC)		1	K7,K5,K3,K4,K2
	IC462	TC7SH17FU-F	IC(MOS-IC)		1	K7,K5,K3,K4,K2
	IC701	XC6201P332M-G	IC(ANALOGUE)	SOT25 3.3V	1	
	IC801	R5S726B0D216FP	IC(MCU)		1	
	IC831	W10-0847-08	IC(ROM)		1	E2
	IC831	W10-0846-08	IC(ROM)		1	K7,K5,K3,K4,K2
	IC841	BD5228FVE	IC(ANALOGUE)	2.8V	1	
	IC851	BR24T16FVT-W	IC(ROM)	16K	1	E2
	IC851	BR24T256FVT-W	IC(ROM)		1	K7,K5,K3,K4,K2
	IC861	MF137S3959-X	IC(MICROPROCESSOR)		1	
	IC901	BH31MA3WHFV	IC(ANALOGUE)	3.1V 300MA	1	
	Q111	LSAR523UBFS8	TRANSISTOR		1	K3,K4,K2
	Q112	LSAR523UBFS8	TRANSISTOR		1	K3,K4,K2
	Q113	LSAR523UBFS8	TRANSISTOR		1	K3,K4,K2
	Q114	2SB1188(Q,R)	TRANSISTOR		1	K3,K4,K2
	Q115	LSCR523UBFS8	TRANSISTOR		1	K3,K4,K2
	Q116	LTC043ZUBFS8	DIGI TRANSISTOR		1	K3,K4,K2
	Q131	LSCR523UBFS8	TRANSISTOR		1	
	Q132	LSCR523UBFS8	TRANSISTOR		1	
	Q133	LSCR523UBFS8	TRANSISTOR		1	
	Q134	LTC044EUBFS8	DIGI TRANSISTOR		1	
	Q135	LSCR523UBFS8	TRANSISTOR		1	
	Q231	LTC043TUBFS8	DIGI TRANSISTOR		1	
	Q232	LTC043TUBFS8	DIGI TRANSISTOR		1	
	Q233	LTC043TUBFS8	DIGI TRANSISTOR		1	
	Q234	LTC043TUBFS8	DIGI TRANSISTOR		1	
	Q235	LTC043TUBFS8	DIGI TRANSISTOR		1	
	Q236	LTC043TUBFS8	DIGI TRANSISTOR		1	
	Q237	LTA014YUBFS8	DIGI TRANSISTOR		1	
	Q401	LSAR523UBFS8	TRANSISTOR		1	K3,K2
	Q402	LTC043ZUBFS8	DIGI TRANSISTOR		1	K3,K2
	Q403	LSCR523UBFS8	TRANSISTOR		1	K3,K2
	Q441	2SB1689	TRANSISTOR		1	E2
	Q701	2SB1188(Q,R)	TRANSISTOR		1	
	Q702	LTC043ZUBFS8	DIGI TRANSISTOR		1	
	Q703	LSAR523UBFS8	TRANSISTOR		1	
	Q704	LTC043ZUBFS8	DIGI TRANSISTOR		1	
	Q861	LTA023JUBFS8	TRANSISTOR		1	
	Q901	LTA023JUBFS8	TRANSISTOR		1	
	D1	RB160L-40	DIODE		1	
	D31	RB080L-30	SCHOTTKY BARRIER DIODE		1	
	D41	RB080L-30	SCHOTTKY BARRIER DIODE		1	
	D51	RB080L-30	SCHOTTKY BARRIER DIODE		1	
	D111	DA2J101-X	SILICON DIODE		1	K3,K4,K2
	D112	DZ2J051/M/-X	ZENER DIODE		1	K3,K4,K2
	D131	DZ2J068/M/-X	ZENER DIODE		1	
	D132	DZ2J068/M/-X	ZENER DIODE		1	
	D133	DZ2J068/M/-X	ZENER DIODE		1	
	D134	DZ2J051/M/-X	ZENER DIODE		1	
	D135	RB521SM-30	DIODE		1	
	D136	MC2846-T111	DIODE		1	
	D137	GS1J-LTP-X	SILICON DIODE		1	
	D138	GS1J-LTP-X	SILICON DIODE		1	
	D139	GS1J-LTP-X	SILICON DIODE		1	
	D140	GS1J-LTP-X	SILICON DIODE		1	
	D141	S2V60-5009F46	DIODE		1	
	D201	MC2846-T111	DIODE		1	
	D231	MC2846-T111	DIODE		1	
	D232	MC2850-T111	DIODE		1	
	D251	MC2846-T111	DIODE		1	
	D302	RN731V	DIODE		1	
	D303	RN731V	DIODE		1	
	D360	IMS680201901	SURGE ABSORBER		1	
	D406	DZ2J056/M/-X	ZENER DIODE		1	K3,K2
	D461	DZ2J068/M/-X	ZENER DIODE		1	K7,K5,K3,K4,K2
	D462	DZ2J068/M/-X	ZENER DIODE		1	K7,K5,K3,K4,K2
	D463	DZ2J062/M/-X	ZENER DIODE		1	K7,K5,K3,K4,K2
	D465	DZ2J062/M/-X	ZENER DIODE		1	K7,K5,K3,K4,K2
	D466	DZ2J062/M/-X	ZENER DIODE		1	K7,K5,K3,K4,K2
	D467	DZ2J062/M/-X	ZENER DIODE		1	K7,K5,K3,K4,K2
	D511	DZ2J068/M/-X	ZENER DIODE		1	
	D512	DZ2J068/M/-X	ZENER DIODE		1	
	D513	DZ2J068/M/-X	ZENER DIODE		1	
	D521	VR105C3R3BAA	VARIATOR		1	
	D522	VR105C3R3BAA	VARIATOR		1	
	D523	STZ6.8N	ZENER DIODE		1	

MODEL	MARK	MODEL	MARK	MODEL	MARK	MODEL	MARK
KDC-5057SD	E2	KDC-610U	K7	KDC-655U	K5	KDC-BT855U	K3
KDC-X697	K4	KDC-X897	K2				

Safe	Symbol No.	Parts No.	Parts Name	Description	QTY	Local
	D531	VR105C3R3BAA	VARISTOR		1	
	D532	VR105C3R3BAA	VARISTOR		1	
	D701	SJPM-H4	DIODE	2A	1	
	D913	MC2850-T111	DIODE		1	
	C1	CK73FB1C105K	CHIP C	1.0UF 16V K	1	
	C3	CK73GB1A105K	CHIP C	1.0UF 10V K	1	
	C5	CK73GB1A105K	CHIP C	1.0UF 10V K	1	
	C6	CD04AR1C471M	ELECTRO	470UF 16V M	1	
	C7	CD04AS0J101M	ELECTRO	100UF 6.3V M	1	
	C8	CK73GB1A105K	CHIP C	1.0UF 10V K	1	
	C9	CK73GB1A105K	CHIP C	1.0UF 10V K	1	
	C10	CK73EB1H474K	CHIP C	0.47UF K	1	K7,K5,K3,K4,K2
	C11	CK73FB1H224K	CHIP C	0.22UF 50V K	1	
	C12	CC73GCH1H060D	CHIP C	6.0PF 50V D	1	
	C13	CC73GCH1H060D	CHIP C	6.0PF 50V D	1	
	C32	CK73EB1E106K	CHIP C	10UF 25V K	1	
	C34	CK73GB1H104K	CHIP C	0.10UF 50V K	1	
	C35	CK73GB1C473K	CHIP C	0.047UF 16V K	1	
	C37	CK73FB1E475K	CHIP C	4.7UF 25V K	1	
	C40	CK73GB1H103K	CHIP C	0.010UF 50V K	1	
	C42	CK73EB1E106K	CHIP C	10UF 25V K	1	
	C44	CK73GB1H104K	CHIP C	0.10UF 50V K	1	
	C45	CK73GB1H103K	CHIP C	0.010UF 50V K	1	
	C47	CK73FB0J226M	CHIP C	22UF M	1	
	C50	CK73GB1H103K	CHIP C	0.010UF 50V K	1	
	C52	CK73EB1E106K	CHIP C	10UF 25V K	1	
	C54	CK73GB1H104K	CHIP C	0.10UF 50V K	1	
	C55	CK73GB1H472K	CHIP C	4700PF 50V K	1	
	C57	CK73FB0J226M	CHIP C	22UF M	1	
	C60	CK73GB1H103K	CHIP C	0.010UF 50V K	1	
	C71	CK73GB1H104K	CHIP C	0.10UF 50V K	1	
	C72	CK73GB1H104K	CHIP C	0.10UF 50V K	1	
	C73	CD04BR1C221M	ELECTRO	220UF 16V M	1	
	C81	CK73GB1H104K	CHIP C	0.10UF 50V K	1	
	C82	CK73GB1H104K	CHIP C	0.10UF 50V K	1	
	C83	CD04BR1C221M	ELECTRO	220UF 16V M	1	
	C111	CD04AS1C220M	ELECTRO	22UF 16V M	1	K3,K4,K2
	C113	CC73GCH1H470J	CHIP C	47PF 50V J	1	K3,K4,K2
	C114	CK73GB1A105K	CHIP C	1.0UF 10V K	1	K3,K4,K2
	C115	CK73GB1H102K	CHIP C	1000PF 50V K	1	K3,K4,K2
	C132	CK73GB1H103K	CHIP C	0.010UF 50V K	1	
	C133	CK73GB1H104K	CHIP C	0.10UF 50V K	1	
	C135	CK73GB1A105K	CHIP C	1.0UF 10V K	1	
	C136	CK73GB1H223K	CHIP C	0.022UF 50V K	1	
	C138	CD04AZ1C332M2	ELECTRO	3300UF 16V M	1	
	C171	CK73GB1A105K	CHIP C	1UF 10V K	1	K7,K5,K3,K4,K2
	C174	CK73GB1A105K	CHIP C	1UF 10V K	1	K7,K5,K3,K4,K2
	C181	CK73GB1A105K	CHIP C	1.0UF 10V K	1	
	C183	CK73GB1A105K	CHIP C	1.0UF 10V K	1	
	C201	CK73GB1C224K	CHIP C	0.22UF 16V K	1	
	C202	CK73GB1C224K	CHIP C	0.22UF 16V K	1	
	C203	CK73GB1C224K	CHIP C	0.22UF 16V K	1	
	C204	CK73GB1C224K	CHIP C	0.22UF 16V K	1	
	C205	CK73GB1A105K	CHIP C	1.0UF 10V K	1	
	C206	CD04AS1V100M	ELECTRO	10UF 35V M	1	
	C207	CK73GB1A105K	CHIP C	1.0UF 10V K	1	
	C208	CK73GB1A105K	CHIP C	1.0UF 10V K	1	
	C231	CD04AS1V100M	ELECTRO	10UF 35V M	1	
	C232	CD04AS1V100M	ELECTRO	10UF 35V M	1	
	C233	CD04AS1V100M	ELECTRO	10UF 35V M	1	
	C234	CD04AS1V100M	ELECTRO	10UF 35V M	1	
	C235	CD04AS1V100M	ELECTRO	10UF 35V M	1	
	C236	CD04AS1V100M	ELECTRO	10UF 35V M	1	
	C251	CK73GB1A105K	CHIP C	1.0UF 10V K	1	
	C252	CK73GB1A105K	CHIP C	1.0UF 10V K	1	
	C255	CK73GB1A105K	CHIP C	1.0UF 10V K	1	
	C256	CD04AS1C470M	ELECTRO	47UF 16V M	1	
	C258	CD04AS1H010M	ELECTRO	1UF 50V M	1	
	C301	CC73GCH1H220J	CHIP C	22PF 50V J	1	
	C302	CC73GCH1H060D	CHIP C	6.0PF 50V D	1	
	C306	CK73GB1H102K	CHIP C	1000PF 50V K	1	
	C307	CK73GB1H102K	CHIP C	1000PF 50V K	1	
	C311	CC73GCH1H470J	CHIP C	47PF 50V J	1	
	C312	CC73GCH1H030C	CHIP C	3.0PF 50V C	1	
	C315	CK73GB1H222K	CHIP C	2200PF 50V K	1	
	C316	CC73GCH1H150J	CHIP C	15PF 50V J	1	
	C317	CC73GCH1H060D	CHIP C	6.0PF 50V D	1	
	C318	CC73GCH1H080D	CHIP C	8.0PF 50V D	1	
	C319	CC73GCH1H080D	CHIP C	8.0PF 50V D	1	
	C320	CC73GCH1H080D	CHIP C	8.0PF 50V D	1	
	C321	CC73GCH1H080D	CHIP C	8.0PF 50V D	1	
	C322	CC73GCH1H471J	CHIP C	470PF 50V J	1	
	C323	CK73GB1H104K	CHIP C	0.10UF 50V K	1	
	C324	CK73GB1H102K	CHIP C	1000PF 50V K	1	
	C325	CK73GB1H102K	CHIP C	1000PF 50V K	1	
	C326	CK73GB1A105K	CHIP C	1.0UF 10V K	1	
	C327	CK73FB1C106K	CHIP C	10UF 16V K	1	
	C328	CK73GB1C224K	CHIP C	0.22UF 16V K	1	
	C329	CK73HB1H332K	CHIP C	3300PF 50V K	1	
	C330	CK73FB1C106K	CHIP C	10UF 16V K	1	
	C331	CK73FB1C106K	CHIP C	10UF 16V K	1	
	C332	CK73GB1H103K	CHIP C	0.010UF 50V K	1	
	C333	CK73GB1H103K	CHIP C	0.010UF 50V K	1	

MODEL	MARK	MODEL	MARK	MODEL	MARK	MODEL	MARK
KDC-5057SD	E2	KDC-610U	K7	KDC-655U	K5	KDC-BT855U	K3
KDC-X697	K4	KDC-X897	K2				

Safe	Symbol No.	Parts No.	Parts Name	Description	QTY	Local
	C336	CK73HB1A104K	CHIP C	0.10UF 10V K	1	
	C337	CK73GB1H682K	CHIP C	6800PF 50V K	1	
	C338	CK73GB1H682K	CHIP C	6800PF 50V K	1	
	C339	CK73GB0J475K	CHIP C	4.7UF 6.3V K	1	
	C340	CK73GB1A105K	CHIP C	1.0UF 10V K	1	
	C341	CK73GB1A105K	CHIP C	1.0UF 10V K	1	
	C345	CK73GB1H104K	CHIP C	0.10UF 50V K	1	
	C346	CK73GB1H104K	CHIP C	0.10UF 50V K	1	
	C349	CK73GB1H104K	CHIP C	0.10UF 50V K	1	
	C350	CK73FB1C106K	CHIP C	10UF 16V K	1	
	C351	CK73GB1A105K	CHIP C	1.0UF 10V K	1	
	C352	CK73GB1A105K	CHIP C	1.0UF 10V K	1	
	C354	CC73GCH1H101J	CHIP C	100PF 50V J	1	
	C401	C90-6990-05	ELECTRO	220UF 10V M	1	K3,K2
	C402	CK73GB1H104K	CHIP C	0.10UF 50V K	1	K3,K2
	C404	CK73GB1H104K	CHIP C	0.10UF 50V K	1	K3,K2
	C417	CK73GB1H222K	CHIP C	2200PF 50V K	1	K3,K2
	C418	CK73GB1H222K	CHIP C	2200PF 50V K	1	K3,K2
	C419	CK73GB1A105K	CHIP C	1.0UF 10V K	1	K3,K2
	C420	CK73GB1A105K	CHIP C	1.0UF 10V K	1	K3,K2
	C423	CK73FB0J226M	CHIP C	22UF M	1	K3,K2
	C424	CK73GB1H103K	CHIP C	0.010UF 50V K	1	K3,K2
	C425	CK73GB1A105K	CHIP C	1.0UF 10V K	1	K3,K2
	C444	CC73GCH1H101J	CHIP C	100PF 50V J	1	E2
	C445	CK73GB1H104K	CHIP C	0.10UF 50V K	1	E2
	C447	CK73GB1H103K	CHIP C	0.010UF 50V K	1	E2
	C448	CC73GCH1H101J	CHIP C	100PF 50V J	1	E2
	C449	CC73GCH1H101J	CHIP C	100PF 50V J	1	E2
	C461	CK73GB1A105K	CHIP C	1UF 10V K	1	K7,K5,K3,K4,K2
	C462	CK73GB1A105K	CHIP C	1UF 10V K	1	K7,K5,K3,K4,K2
	C463	CD04AS0J470M	ELECTRO	47UF 6.3V M	1	K7,K5,K3,K4,K2
	C486	CK73GB1H103K	CHIP C	0.010UF 50V K	1	
	C511	CK73GB1H102K	CHIP C	1000PF 50V K	1	
	C512	CK73GB1H102K	CHIP C	1000PF 50V K	1	
	C513	CK73GB1H104K	CHIP C	0.10UF 50V K	1	
	C514	CK73GB1H104K	CHIP C	0.10UF 50V K	1	
	C515	CD04AS0J470M	ELECTRO	47UF 6.3V M	1	
	C516	CK73GB1H103K	CHIP C	0.010UF 50V K	1	
	C701	CD04AS1H4R7M	ELECTRO	4.7UF 50V M	1	
	C702	CD04AS1H4R7M	ELECTRO	4.7UF 50V M	1	
	C706	CK73GB1A105K	CHIP C	1.0UF 10V K	1	
	C707	CK73GB1A105K	CHIP C	1.0UF 10V K	1	
	C710	CD04AS1C101M	ELECTRO	100UF 16V M	1	
	C801	CK73GB1H104K	CHIP C	0.10UF 50V K	1	
	C802	CK73GB1H104K	CHIP C	0.10UF 50V K	1	
	C803	CK73GB1H104K	CHIP C	0.10UF 50V K	1	
	C804	CK73GB1H104K	CHIP C	0.10UF 50V K	1	
	C805	CK73GB1H104K	CHIP C	0.10UF 50V K	1	
	C806	CK73GB1H104K	CHIP C	0.10UF 50V K	1	
	C807	CK73HB1A104K	CHIP C	0.10UF 10V K	1	
	C808	CK73GB1H104K	CHIP C	0.10UF 50V K	1	
	C809	CK73HB1A104K	CHIP C	0.10UF 10V K	1	
	C810	CK73HB1A104K	CHIP C	0.10UF 10V K	1	
	C811	CK73HB1A104K	CHIP C	0.10UF 10V K	1	
	C812	CK73HB1A104K	CHIP C	0.10UF 10V K	1	
	C813	CK73HB1A104K	CHIP C	0.10UF 10V K	1	
	C814	CK73HB1A104K	CHIP C	0.10UF 10V K	1	
	C815	CK73GB1H104K	CHIP C	0.10UF 50V K	1	
	C816	CK73GB1H104K	CHIP C	0.10UF 50V K	1	
	C817	CK73GB1H104K	CHIP C	0.10UF 50V K	1	
	C818	CK73GB1H104K	CHIP C	0.10UF 50V K	1	
	C819	CK73HB1A104K	CHIP C	0.10UF 10V K	1	
	C820	CK73GB1H104K	CHIP C	0.10UF 50V K	1	
	C821	CK73GB1H104K	CHIP C	0.10UF 50V K	1	
	C822	CK73GB1H104K	CHIP C	0.10UF 50V K	1	
	C823	CK73GB1H103K	CHIP C	0.010UF 50V K	1	
	C824	CK73GB1H103K	CHIP C	0.010UF 50V K	1	
	C825	CK73GB1H104K	CHIP C	0.10UF 50V K	1	
	C831	CK73GB1H104K	CHIP C	0.10UF 50V K	1	
	C841	CC73GCH1H150J	CHIP C	15PF 50V J	1	
	C842	CC73GCH1H150J	CHIP C	15PF 50V J	1	
	C846	CK73GB1H682K	CHIP C	6800PF 50V K	1	
	C851	CK73GB1H104K	CHIP C	0.10UF 50V K	1	
	C861	CK73GB1H104K	CHIP C	0.10UF 50V K	1	
	C901	CK73GB1A105K	CHIP C	1.0UF 10V K	1	
	C902	CK73GB0J225K	CHIP C	2.2UF 6.3V K	1	
	C903	CK73HB1E103K	CHIP C	0.010UF 25V K	1	
	C908	CK73FB1C105K	CHIP C	1.0UF 16V K	1	
	R1	RK73GH2A563D	CHIP R	56K D 1/10W	1	
	R2	RK73GH2A752D	CHIP R	7.5K D 1/10W	1	
	R3	RK73GH2A472D	CHIP R	4.7K D 1/10W	1	
	R4	RK73GH2A273D	CHIP R	27K D 1/10W	1	
	R5	RK73GB2A472J	CHIP R	4.7K J 1/10W	1	
	R6	RK73GB2A103J	CHIP R	10K J 1/10W	1	
	R7	RK73GB2A472J	CHIP R	4.7K J 1/10W	1	
	R8	RK73GB2A103J	CHIP R	10K J 1/10W	1	
	R12	RK73GB2A100J	CHIP R	10 J 1/10W	1	
	R31	RK73GB2A102J	CHIP R	1.0K J 1/10W	1	
	R32	RK73GH2A164D	CHIP R	160K D 1/10W	1	
	R33	RK73GH2A333D	CHIP R	33K D 1/10W	1	
	R37	RK73GB2A101J	CHIP R	100 J 1/10W	1	
	R39	RK73GB2A102J	CHIP R	1.0K J 1/10W	1	
	R41	RK73GB2A472J	CHIP R	4.7K J 1/10W	1	
	R42	RK73GH2A513D	CHIP R	51K D 1/10W	1	

MODEL	MARK	MODEL	MARK	MODEL	MARK	MODEL	MARK
KDC-5057SD	E2	KDC-610U	K7	KDC-655U	K5	KDC-BT855U	K3
KDC-X697	K4	KDC-X897	K2				

Safe	Symbol No.	Parts No.	Parts Name	Description	QTY	Local
	R43	RK73GH2A223D	CHIP R	22K D 1/10W	1	
	R47	RK73GB2A101J	CHIP R	100 J 1/10W	1	
	R49	RK73GB2A102J	CHIP R	1.0K J 1/10W	1	
	R51	RK73GB2A682J	CHIP R	6.8K J 1/10W	1	
	R52	RK73GH2A104D	CHIP R	100K D 1/10W	1	
	R53	RK73GH2A243D	CHIP R	24K D 1/10W	1	
	R71	RK73GB2A104J	CHIP R	100K J 1/10W	1	
	R72	RK73GH2A223D	CHIP R	22K D 1/10W	1	
	R73	RK73GB2A102J	CHIP R	1.0K J 1/10W	1	
	R81	RK73GB2A104J	CHIP R	100K J 1/10W	1	
	R82	RK73GH2A223D	CHIP R	22K D 1/10W	1	
	R83	RK73GB2A102J	CHIP R	1.0K J 1/10W	1	
	R111	RK73GH2A562D	CHIP R	5.6K D 1/10W	1	K3,K4,K2
	R112	RK73GH2A432D	CHIP R	4.3K D 1/10W	1	K3,K4,K2
	R113	RK73FB2B561J	CHIP R	560 J 1/8W	1	K3,K4,K2
	R114	RK73FB2B4R7J	CHIP R	4.7 J 1/8W	1	K3,K4,K2
	R115	RK73FB2B201J	CHIP R	200 J 1/8W	1	K3,K4,K2
	R116	RK73FB2B152J	CHIP R	1.5K J 1/8W	1	K3,K4,K2
	R117	RK73FB2B432J	CHIP R	4.3K J 1/8W	1	K3,K4,K2
	R118	RK73GB2A103J	CHIP R	10K J 1/10W	1	K3,K4,K2
	R131	RK73GB2A473J	CHIP R	47K J 1/10W	1	
	R132	RK73GB2A104J	CHIP R	100K J 1/10W	1	
	R133	RK73GB2A103J	CHIP R	10K J 1/10W	1	
	R134	RK73FB2B683J	CHIP R	68K J 1/8W	1	
	R135	RK73EB2E203J	CHIP R	20K J 1/4W	1	
	R136	RK73GB2A103J	CHIP R	10K J 1/10W	1	
	R138	RK73EB2E102J	CHIP R	1.0K J 1/4W	1	
	R139	RK73EB2E102J	CHIP R	1.0K J 1/4W	1	
	R140	RK73EB2E102J	CHIP R	1.0K J 1/4W	1	
	R141	RK73GB2A103J	CHIP R	10K J 1/10W	1	
	R142	RK73GB2A103J	CHIP R	10K J 1/10W	1	
	R143	RK73EB2E333J	CHIP R	33K J 1/4W	1	
	R144	RK73GB2A223J	CHIP R	22K J 1/10W	1	
	R145	RK73GB2A104J	CHIP R	100K J 1/10W	1	
	R146	RK73EB2E471J	CHIP R	470 J 1/4W	1	
	R147	RK73GB2A123J	CHIP R	12K J 1/10W	1	
	R148	RK73GB2A683J	CHIP R	68K J 1/10W	1	
	R150	RK73EB2E103J	CHIP R	10K J 1/4W	1	
	R151	RK73GB2A103J	CHIP R	10K J 1/10W	1	
	R153	RK73FB2B472J	CHIP R	4.7K J 1/8W	1	
	R154	RK73FB2B472J	CHIP R	4.7K J 1/8W	1	
	R156	RK73GB2A000J	CHIP R	0 J 1/10W	1	K7,K5,K3,K4,K2
	R157	RK73GB2A000J	CHIP R	0.0 J 1/10W	1	E2
	R158	RK73GB2A104J	CHIP R	100K J 1/10W	1	
	R159	RK73GB2A363J	CHIP R	36K J 1/10W	1	
	R160	RK73GB2A104J	CHIP R	100K J 1/10W	1	
	R201	RK73GB2A473J	CHIP R	47K J 1/10W	1	
	R203	RK73GB2A182J	CHIP R	1.8K J 1/10W	1	
	R204	RK73GB2A6R8J	CHIP R	6.8 J 1/10W	1	
	R205	RK73GB2A473J	CHIP R	47K J 1/10W	1	
	R206	RK73GB2A331J	CHIP R	330 J 1/10W	1	
	R207	RK73GB2A153J	CHIP R	15K J 1/10W	1	
	R208	RK73GB2A000J	CHIP R	0.0 J 1/10W	1	
	R210	RK73GB2A000J	CHIP R	0.0 J 1/10W	1	
	R231	RK73GB2A331J	CHIP R	330 J 1/10W	1	
	R232	RK73GB2A331J	CHIP R	330 J 1/10W	1	
	R233	RK73GB2A223J	CHIP R	22K J 1/10W	1	
	R234	RK73GB2A223J	CHIP R	22K J 1/10W	1	
	R235	RK73FB2B181J	CHIP R	180 J 1/8W	1	
	R236	RK73FB2B181J	CHIP R	180 J 1/8W	1	
	R237	RK73GB2A331J	CHIP R	330 J 1/10W	1	
	R238	RK73GB2A331J	CHIP R	330 J 1/10W	1	
	R239	RK73GB2A223J	CHIP R	22K J 1/10W	1	
	R240	RK73GB2A223J	CHIP R	22K J 1/10W	1	
	R241	RK73FB2B181J	CHIP R	180 J 1/8W	1	
	R242	RK73FB2B181J	CHIP R	180 J 1/8W	1	
	R243	RK73GB2A331J	CHIP R	330 J 1/10W	1	
	R244	RK73GB2A331J	CHIP R	330 J 1/10W	1	
	R245	RK73GB2A223J	CHIP R	22K J 1/10W	1	
	R246	RK73GB2A223J	CHIP R	22K J 1/10W	1	
	R247	RK73FB2B181J	CHIP R	180 J 1/8W	1	
	R248	RK73FB2B181J	CHIP R	180 J 1/8W	1	
	R251	RK73GB2A472J	CHIP R	4.7K J 1/10W	1	
	R252	RK73GB2A103J	CHIP R	10K J 1/10W	1	
	R263	RK73GB2A000J	CHIP R	0.0 J 1/10W	1	E2,K7,K5
	R302	RK73GB2A105J	CHIP R	1.0M J 1/10W	1	
	R303	RK73GB2A471J	CHIP R	470 J 1/10W	1	
	R304	RK73GB2A271J	CHIP R	270 J 1/10W	1	
	R305	RK73GB2A105J	CHIP R	1.0M J 1/10W	1	
	R307	RK73GB2A105J	CHIP R	1.0M J 1/10W	1	
	R308	RK73GB2A105J	CHIP R	1.0M J 1/10W	1	
	R311	RK73GB2A120J	CHIP R	12 J 1/10W	1	
	R341	RK73GB2A000J	CHIP R	0.0 J 1/10W	1	
	R342	RK73GB2A000J	CHIP R	0.0 J 1/10W	1	
	R343	RK73GB2A000J	CHIP R	0.0 J 1/10W	1	
	R344	RK73GB2A000J	CHIP R	0.0 J 1/10W	1	
	R347	RK73HB1J101J	CHIP R	100 J 1/16W	1	
	R350	RK73GB2A000J	CHIP R	0.0 J 1/10W	1	
	R351	RK73GB2A000J	CHIP R	0.0 J 1/10W	1	
	R352	RK73GB2A000J	CHIP R	0.0 J 1/10W	1	
	R353	RK73GB2A101J	CHIP R	100 J 1/10W	1	
	R354	RK73GB2A101J	CHIP R	100 J 1/10W	1	
	R357	RK73GB2A470J	CHIP R	47 J 1/10W	1	

MODEL	MARK	MODEL	MARK	MODEL	MARK	MODEL	MARK
KDC-5057SD	E2	KDC-610U	K7	KDC-655U	K5	KDC-BT855U	K3
KDC-X697	K4	KDC-X897	K2				

Safe	Symbol No.	Parts No.	Parts Name	Description	QTY	Local
	R361	RK73GB2A332J	CHIP R	3.3K J 1/10W	1	
	R362	RK73GB2A332J	CHIP R	3.3K J 1/10W	1	
	R365	RK73GB2A332J	CHIP R	3.3K J 1/10W	1	
	R398	RK73GB2A472J	CHIP R	4.7K J 1/10W	1	
	R399	RK73GB2A472J	CHIP R	4.7K J 1/10W	1	
	R401	RK73EB2E101J	CHIP R	100 J 1/4W	1	K3,K2
	R402	RK73EB2E101J	CHIP R	100 J 1/4W	1	K3,K2
	R403	RK73GB2A473J	CHIP R	47K J 1/10W	1	K3,K2
	R405	RK73GB2A473J	CHIP R	47K J 1/10W	1	K3,K2
	R406	RK73GB2A122J	CHIP R	1.2K J 1/10W	1	K3,K2
	R407	RK73GB2A122J	CHIP R	1.2K J 1/10W	1	K3,K2
	R409	RK73GB2A102J	CHIP R	1.0K J 1/10W	1	K3,K2
	R411	RK73GB2A220J	CHIP R	22 J 1/10W	1	K3,K2
	R412	RK73GB2A222J	CHIP R	2.2K J 1/10W	1	K3,K2
	R425	RK73GB2A471J	CHIP R	470 J 1/10W	1	K3,K2
	R426	RK73GB2A471J	CHIP R	470 J 1/10W	1	K3,K2
	R428	RK73GB2A472J	CHIP R	4.7K J 1/10W	1	K3,K2
	R430	RK73GB2A472J	CHIP R	4.7K J 1/10W	1	K3,K2
	R436	RK73GB2A471J	CHIP R	470 J 1/10W	1	K3,K2
	R442	RK73GB2A101J	CHIP R	100 J 1/10W	1	E2
	R443	RK73GB2A101J	CHIP R	100 J 1/10W	1	E2
	R444	RK73GB2A102J	CHIP R	1.0K J 1/10W	1	E2
	R445	RK73GB2A473J	CHIP R	47K J 1/10W	1	E2
	R446	RK73GB2A473J	CHIP R	47K J 1/10W	1	E2
	R447	RK73GB2A473J	CHIP R	47K J 1/10W	1	E2
	R448	RK73GB2A473J	CHIP R	47K J 1/10W	1	E2
	R450	RK73GB2A820J	CHIP R	82 J 1/10W	1	E2
	R451	RK73GB2A101J	CHIP R	100 J 1/10W	1	E2
	R461	RK73GB2A103J	CHIP R	10K J 1/10W	1	K7,K5,K3,K4,K2
	R462	RK73GB2A103J	CHIP R	10K J 1/10W	1	K7,K5,K3,K4,K2
	R463	RK73EB2E100J	CHIP R	10 J 1/4W	1	K7,K5,K3,K4,K2
	R464	RK73EB2E100J	CHIP R	10 J 1/4W	1	K7,K5,K3,K4,K2
	R465	RK73EB2E4R7J	CHIP R	4.7 J 1/4W	1	K7,K5,K3,K4,K2
	R467	RK73EB2E221J	CHIP R	220 J 1/4W	1	K7,K5,K3,K4,K2
	R468	RK73GB2A101J	CHIP R	100 J 1/10W	1	K7,K5,K3,K4,K2
	R469	RK73EB2E101J	CHIP R	100 J 1/4W	1	K7,K5,K3,K4,K2
	R470	RK73EB2E221J	CHIP R	220 J 1/4W	1	K7,K5,K3,K4,K2
	R471	RK73GB2A473J	CHIP R	47K J 1/10W	1	K7,K5,K3,K4,K2
	R475	RK73GB2A221J	CHIP R	220 J 1/10W	1	K7,K5,K3,K4,K2
	R476	RK73GB2A221J	CHIP R	220 J 1/10W	1	K7,K5,K3,K4,K2
	R477	RK73GB2A221J	CHIP R	220 J 1/10W	1	K7,K5,K3,K4,K2
	R511	RK73GB2A100J	CHIP R	10 J 1/10W	1	
	R512	RK73GB2A100J	CHIP R	10 J 1/10W	1	
	R513	RK73GB2A103J	CHIP R	10K J 1/10W	1	
	R514	RK73GB2A103J	CHIP R	10K J 1/10W	1	
	R515	RK73GB2A4R7J	CHIP R	4.7 J 1/10W	1	
	R516	RK73GB2A102J	CHIP R	1.0K J 1/10W	1	
	R521	RK73GB2A100J	CHIP R	10 J 1/10W	1	
	R522	RK73GB2A100J	CHIP R	10 J 1/10W	1	
	R523	RK73GB2A153J	CHIP R	15K J 1/10W	1	
	R524	RK73GB2A153J	CHIP R	15K J 1/10W	1	
	R531	RK73GB2A100J	CHIP R	10 J 1/10W	1	
	R532	RK73GB2A100J	CHIP R	10 J 1/10W	1	
	R533	RK73GB2A153J	CHIP R	15K J 1/10W	1	
	R534	RK73GB2A153J	CHIP R	15K J 1/10W	1	
	R535	RK73GB2A220J	CHIP R	22 J 1/10W	1	
	R536	RK73GB2A220J	CHIP R	22 J 1/10W	1	
	R701	RK73GB2A101J	CHIP R	100 J 1/10W	1	
	R702	RK73GB2A101J	CHIP R	100 J 1/10W	1	
	R703	RK73GB2A101J	CHIP R	100 J 1/10W	1	
	R704	RK73GB2A101J	CHIP R	100 J 1/10W	1	
	R705	RK73GB2A101J	CHIP R	100 J 1/10W	1	
	R706	RK73GB2A101J	CHIP R	100 J 1/10W	1	
	R707	RK73GB2A101J	CHIP R	100 J 1/10W	1	
	R708	RK73GB2A101J	CHIP R	100 J 1/10W	1	
	R709	RK73GB2A101J	CHIP R	100 J 1/10W	1	
	R710	RK73GB2A101J	CHIP R	100 J 1/10W	1	
	R711	RK73GB2A101J	CHIP R	100 J 1/10W	1	
	R712	RK73GB2A101J	CHIP R	100 J 1/10W	1	
	R713	RK73GB2A101J	CHIP R	100 J 1/10W	1	
	R714	RK73GB2A102J	CHIP R	1.0K J 1/10W	1	
	R715	RK73GB2A101J	CHIP R	100 J 1/10W	1	
	R716	RK73GB2A102J	CHIP R	1.0K J 1/10W	1	
	R717	RK73GB2A473J	CHIP R	47K J 1/10W	1	
	R718	RK73GB2A473J	CHIP R	47K J 1/10W	1	
	R719	RK73GB2A222J	CHIP R	2.2K J 1/10W	1	
	R720	RK73GB2A222J	CHIP R	2.2K J 1/10W	1	
	R721	RK73GB2A222J	CHIP R	2.2K J 1/10W	1	
	R724	RK73GB2A223J	CHIP R	22K J 1/10W	1	
	R725	RK73GB2A471J	CHIP R	470 J 1/10W	1	
	R726	RK73GB2A223J	CHIP R	22K J 1/10W	1	
	R727	RK73GB2A103J	CHIP R	10K J 1/10W	1	
	R801	RK73GB2A473J	CHIP R	47K J 1/10W	1	E2,K7,K5,K2
	R801	RK73GB2A223J	CHIP R	22K J 1/10W	1	K3
	R802	RK73GB2A473J	CHIP R	47K J 1/10W	1	K3,K4
	R802	RK73GB2A223J	CHIP R	22K J 1/10W	1	K2
	R803	RK73GB2A473J	CHIP R	47K J 1/10W	1	E2
	R804	RK73GB2A473J	CHIP R	47K J 1/10W	1	K7,K5,K3,K4,K2
	R806	RK73GB2A473J	CHIP R	47K J 1/10W	1	
	R807	RK73GB2A473J	CHIP R	47K J 1/10W	1	
	R809	RK73GB2A473J	CHIP R	47K J 1/10W	1	
	R810	RK73GB2A473J	CHIP R	47K J 1/10W	1	
	R811	RK73GB2A473J	CHIP R	47K J 1/10W	1	

MODEL	MARK	MODEL	MARK	MODEL	MARK	MODEL	MARK
KDC-5057SD	E2	KDC-610U	K7	KDC-655U	K5	KDC-BT855U	K3
KDC-X697	K4	KDC-X897	K2				

Safe	Symbol No.	Parts No.	Parts Name	Description	QTY	Local	
	R812	RK73GB2A473J	CHIP R	47K J 1/10W	1		
	R815	RK73HB1J104J	CHIP R	100K J 1/16W	1		
	R816	RK73GB2A104J	CHIP R	100K J 1/10W	1		
	R817	RK73GB2A104J	CHIP R	100K J 1/10W	1		
	R818	RK73HB1J104J	CHIP R	100K J 1/16W	1		
	R827	RK73GB2A101J	CHIP R	100 J 1/10W	1		
	R828	RK73GB2A101J	CHIP R	100 J 1/10W	1		
	R831	RK73GB2A473J	CHIP R	47K J 1/10W	1		
	R835	RK73GB2A473J	CHIP R	47K J 1/10W	1		
	R836	RK73GB2A104J	CHIP R	100K J 1/10W	1		
	R841	RK73GB2A332J	CHIP R	3.3K J 1/10W	1		
	R842	RK73GB2A105J	CHIP R	1.0M J 1/10W	1		
	R845	RK73GB2A473J	CHIP R	47K J 1/10W	1		
	R846	RK73GB2A102J	CHIP R	1.0K J 1/10W	1		
	R851	RK73GB2A332J	CHIP R	3.3K J 1/10W	1		
	R852	RK73GB2A332J	CHIP R	3.3K J 1/10W	1		
	R861	RK73GB2A332J	CHIP R	3.3K J 1/10W	1		
	R862	RK73GB2A332J	CHIP R	3.3K J 1/10W	1		
	R863	RK73GB2A223J	CHIP R	22K J 1/10W	1		
	R865	RK73GB2A103J	CHIP R	10K J 1/10W	1		
	R901	RK73EB2E222J	CHIP R	2.2K J 1/4W	1		
	R902	RK73EB2E102J	CHIP R	1.0K J 1/4W	1		
	R903	RK73EB2E102J	CHIP R	1.0K J 1/4W	1		
	R904	RK73EB2E102J	CHIP R	1.0K J 1/4W	1		
	R905	RK73EB2E102J	CHIP R	1.0K J 1/4W	1		
	R906	RK73EB2E102J	CHIP R	1.0K J 1/4W	1		
	R907	RK73EB2E102J	CHIP R	1.0K J 1/4W	1		
	R908	RK73EB2E102J	CHIP R	1.0K J 1/4W	1		
	R909	RK73EB2E102J	CHIP R	1.0K J 1/4W	1		
	R910	RK73GB2A473J	CHIP R	47K J 1/10W	1		
	R911	RK73GB2A473J	CHIP R	47K J 1/10W	1		
	R912	RK73GB2A473J	CHIP R	47K J 1/10W	1		
	R913	RK73GB2A473J	CHIP R	47K J 1/10W	1		
	R914	RK73GB2A104J	CHIP R	100K J 1/10W	1		
	L32	L33-3213-05	CHOKO COIL	47UH	1		
	L42	QQLA1AM-220	INDUCTOR	22uH M	1		
	L52	L33-3203-05	CHOKO COIL	15UH	1		
	L131	QQR1909-001	CHOKO COIL		1		
	L254	L41-4792-67	SMALL FIXED INDUCTOR		1		
	L305	L41-1895-52	SMALL FIXED INDUCTOR	1.8U	1		
	L306	L41-2785-61	SMALL FIXED INDUCTOR	C2012C R27J	1		
	L311	L41-6885-52	SMALL FIXED INDUCTOR	680NH	1		
	L313	L41-6885-52	SMALL FIXED INDUCTOR	680NH	1		
	L314	L41-4785-52	SMALL FIXED INDUCTOR	470NH	1		
	L316	L41-5611-66	SMALL FIXED INDUCTOR	560UH	1		
	L317	L41-5611-66	SMALL FIXED INDUCTOR	560UH	1		
	L321	QQR1905-001	RF COIL		1		
	L324	L92-1008-05	CHIP FERRITE		1		
	L329	L92-1008-05	CHIP FERRITE		1		
	L401	L92-0652-05	CHIP FERRITE	1500 OHM	1	K3,K2	
	L402	L41-4792-67	SMALL FIXED INDUCTOR		1	K3,K2	
	L521	L92-1009-05	CHIP FERRITE		1		
	L531	L92-1009-05	CHIP FERRITE		1		
	L831	L92-1011-05	CHIP FERRITE		1		
	CN401	E41-1699-05	PIN ASSY	02P SIDE PH	1	K3,K2	
	CN531	E41-1701-05	PIN ASSY	04P SIDE PH	1		
	CN701	QGF1030F3-26X	FFC/FPC CONNECTOR	FFC/FPC (1-26)	1		
	CP831	RK74GB1J101J	CHIP-COM	100 J 1/16W	1		
	F111	F53-0298-05	FUSE	UL,CSA 0.25A	1	K3,K4,K2	
△	J131	E58-0991-05	RECTANGULAR RECEPTACLE	DC-CN	1		
	J231	QNN0866-001	PIN JACK		1		
	J301	QNB0358-001	ANT TERMINAL		1		
	J441	E68-0826-15	JACK	SD CARD SLOT	1	E2	
	J461	QNZ0907-001	CIR CONNECTOR		1	K7,K5,K3,K4,K2	
	J901	E58-1124-05	RECTANGULAR RECEPTACLE	20PIN	1		
	S841	S70-0959-05	TACT SWITCH		1		
	TH201	NAD0052-471X	P THERMISTOR	470Ω	1		
	X303	NAX1199-001X	CRYSTAL RESONATOR		1		
	X841	L77-3846-05	CRYSTAL RESONATOR	12MHZ	1		
	SWITCH UNIT (X16-745x-xx) <X16>						
	IC1	W10-0849-08	IC(MICROCONTROLLER)		1		
	IC2	PIC95603	IC(ANALOGUE)		1		
	Q1	LTC043ZUBFS8	DIGI TRANSISTOR		1		
	Q2	LTC023JUBFS8	DIGI TRANSISTOR		1		
	Q3	LTC023JUBFS8	DIGI TRANSISTOR		1		
	Q4	LTC043ZUBFS8	DIGI TRANSISTOR		1		
	Q5	LTC023JUBFS8	DIGI TRANSISTOR		1		
	Q6	LTC043ZUBFS8	DIGI TRANSISTOR		1		
	Q7	LTC023JUBFS8	DIGI TRANSISTOR		1		
	Q8	LTC023JUBFS8	DIGI TRANSISTOR		1		
	Q9	LTC023JUBFS8	DIGI TRANSISTOR		1		
	Q10	LTC023JUBFS8	DIGI TRANSISTOR		1		

MODEL	MARK	MODEL	MARK	MODEL	MARK	MODEL	MARK
KDC-5057SD	E2	KDC-610U	K7	KDC-655U	K5	KDC-BT855U	K3
KDC-X697	K4	KDC-X897	K2				

Safe	Symbol No.	Parts No.	Parts Name	Description	QTY	Local
	Q11	LTC023JUBFS8	DIGI TRANSISTOR		1	
	Q12	LTC023JUBFS8	DIGI TRANSISTOR		1	
	D10	B30-1779-05	LED	1608_SR	1	
	D15	B30-3259-05	LED	FULL COLOR R G B	1	
	D17	B30-1779-05	LED	1608_SR	1	
	D18	B30-1788-05	LED	1608 WHITE	1	
	D19	B30-3259-05	LED	FULL COLOR R G B	1	
	D21	B30-3259-05	LED	FULL COLOR R G B	1	
	D22	B30-3259-05	LED	FULL COLOR R G B	1	
	D23	B30-3259-05	LED	FULL COLOR R G B	1	
	D24	B30-3259-05	LED	FULL COLOR R G B	1	
	C3	CK73GB1H472K	CHIP C	4700PF 50V K	1	
	C4	CC73GCH1H101J	CHIP C	100PF 50V J	1	
	C5	CC73GCH1H101J	CHIP C	100PF 50V J	1	
	C6	CK73GB1H103K	CHIP C	0.010UF 50V K	1	
	C9	CK73HB1E103K	CHIP C	0.010UF 25V K	1	
	C10	CK73HB1E103K	CHIP C	0.010UF 25V K	1	
	C11	CK73GB0J225K	CHIP C	2.2UF 6.3V K	1	
	C12	CK73GB1H103K	CHIP C	0.010UF 50V K	1	
	C14	CK73HB0J105K	CHIP C	1.0UF 6.3V K	1	
	C15	CK73FB1C106K	CHIP C	10UF 16V K	1	
	C16	CK73FB1C105K	CHIP C	1.0UF 16V K	1	
	C18	CK73FB1C105K	CHIP C	1.0UF 16V K	1	
	C19	CK73GB1A105K	CHIP C	1.0UF 10V K	1	
	C20	CK73GB1A105K	CHIP C	1.0UF 10V K	1	
	C21	CK73HB0J105K	CHIP C	1.0UF 6.3V K	1	
	C22	CK73HB0J105K	CHIP C	1.0UF 6.3V K	1	
	C23	CK73GB1A105K	CHIP C	1.0UF 10V K	1	
	C24	CK73GB1A105K	CHIP C	1.0UF 10V K	1	
	C25	CK73FB1C105K	CHIP C	1.0UF 16V K	1	
	R5	RK73HB1J220J	CHIP R	22 J 1/16W	1	
	R6	RK73HB1J220J	CHIP R	22 J 1/16W	1	
	R9	RK73GB2A473J	CHIP R	47K J 1/10W	1	
	R10	RK73HB1J102J	CHIP R	1.0K J 1/16W	1	
	R11	RK73HB1J102J	CHIP R	1.0K J 1/16W	1	
	R13	RK73GB2A102J	CHIP R	1.0K J 1/10W	1	
	R14	RK73GB2A105J	CHIP R	1.0M J 1/10W	1	
	R15	RK73HB1J513J	CHIP R	51K J 1/16W	1	E2
	R15	RK73HB1J563J	CHIP R	56K J 1/16W	1	K7,K5,K3,K4,K2
	R16	RK73GB2A103J	CHIP R	10K J 1/10W	1	
	R18	RK73EB2E821J	CHIP R	820 J 1/4W	1	
	R19	RK73HB1J101J	CHIP R	100 J 1/16W	1	
	R28	RK73EB2E681J	CHIP R	680 J 1/4W	1	
	R29	RK73EB2E681J	CHIP R	680 J 1/4W	1	
	R31	RK73EB2E821J	CHIP R	820 J 1/4W	1	
	R32	RK73EB2E561J	CHIP R	560 J 1/4W	1	
	R35	RK73GB2A202J	CHIP R	2.0K J 1/10W	1	
	R36	RK73HB1J101J	CHIP R	100 J 1/16W	1	
	R37	RK73HB1J102J	CHIP R	1.0K J 1/16W	1	
	R39	RK73GB2A621J	CHIP R	620 J 1/10W	1	
	R40	RK73GB2A621J	CHIP R	620 J 1/10W	1	
	R41	RK73FB2B681J	CHIP R	680 J 1/8W	1	
	R42	RK73FB2B911J	CHIP R	910 J 1/8W	1	
	R43	RK73GB2A621J	CHIP R	620 J 1/10W	1	
	R44	RK73GB2A112J	CHIP R	1.1K J 1/10W	1	
	R45	RK73GB2A621J	CHIP R	620 J 1/10W	1	
	R46	RK73EB2E911J	CHIP R	910 J 1/4W	1	
	R47	RK73FB2B681J	CHIP R	680 J 1/8W	1	
	R48	RK73HB1J101J	CHIP R	100 J 1/16W	1	
	R49	RK73HB1J473J	CHIP R	47K J 1/16W	1	
	CN1	E41-3246-05	FLAT CABLE CONNECTOR		1	
	CP1	RK74HB1J223J	CHIP-COM	22K J 1/16W	1	
	CP3	RK74HB1J223J	CHIP-COM	22K J 1/16W	1	
	CP5	RK74HB1J473J	CHIP-COM	47K J 1/16W	1	
	CP6	RK74HB1J101J	CHIP-COM	100 J 1/16W	1	
	CP8	RK74HB1J332J	CHIP-COM	3.3K J 1/16W	1	
	CP9	RK74HB1J102J	CHIP-COM	1.0K J 1/16W	1	
	J1	QNZ1076-001	USB CONNECTOR		1	
	J2	QNS0320-001	DIA 3.5 TYPE JACK		1	
	J3	QGZ1102K3-20X	DETACHABLE CONNECTOR	(1-20)	1	
	S1	S70-0960-05	TACT SWITCH	2.5MM/1.76N	1	
	S2	S70-0960-05	TACT SWITCH	2.5MM/1.76N	1	
	S3	S70-0960-05	TACT SWITCH	2.5MM/1.76N	1	
	S4	S70-0960-05	TACT SWITCH	2.5MM/1.76N	1	
	S5	T99-0484-05	ROTARY ENCODER		1	
	S6	S70-0960-05	TACT SWITCH	2.5MM/1.76N	1	
	S7	S70-0960-05	TACT SWITCH	2.5MM/1.76N	1	
	S8	S70-0960-05	TACT SWITCH	2.5MM/1.76N	1	
	S9	S70-0960-05	TACT SWITCH	2.5MM/1.76N	1	
	X1	L78-1211-05	RESONATOR	8.000MHZ	1	
BLUETOOTH UNIT (X17-2220-10) K3,K2 <X17>						
	IC2	AK4387ET	IC(MOS-IC)		1	K3,K2
	IC3	BU18TD3WG	IC(ANALOGUE)	5PIN 0.95PITCH	1	K3,K2
	IC4	BA4560RFV	IC(ANALOGUE)		1	K3,K2
	IC5	TCC860000XEAU	IC(MOS-IC)		1	K3,K2
	IC6	E29LV32BT73F8	IC(ROM)		1	K3,K2
	IC7	EM639165TS6IG	IC(DRAM)		1	K3,K2
	C1	CC73HCH1H331J	CHIP C	330PF J	1	K3,K2
	C2	CK73GB1A105K	CHIP C	1.0UF 10V K	1	K3,K2
	C5	CK73HB1H102K	CHIP C	1000PF K	1	K3,K2
	C6	CK73HB0J105K	CHIP C	1.0UF 6.3V K	1	K3,K2

MODEL	MARK	MODEL	MARK	MODEL	MARK	MODEL	MARK
KDC-5057SD	E2	KDC-610U	K7	KDC-655U	K5	KDC-BT855U	K3
KDC-X697	K4	KDC-X897	K2				

Safe	Symbol No.	Parts No.	Parts Name	Description	QTY	Local
C7		CK73HB0J105K	CHIP C	1.0UF 6.3V K	1	K3,K2
C8		CK73GB0J475K	CHIP C	4.7UF 6.3V K	1	K3,K2
C9		CK73HB1H471K	CHIP C	470PF 50V K	1	K3,K2
C10		CK73HB1H471K	CHIP C	470PF 50V K	1	K3,K2
C11		CC73HCH1H220J	CHIP C	22PF J	1	K3,K2
C12		CK73GB1A105K	CHIP C	1.0UF 10V K	1	K3,K2
C13		CK73HB1A104K	CHIP C	0.10UF 10V K	1	K3,K2
C14		CK73HB1A104K	CHIP C	0.10UF 10V K	1	K3,K2
C16		CK73HB1C333K	CHIP C	0.033UF K	1	K3,K2
C17		CK73GB0J475K	CHIP C	4.7UF 6.3V K	1	K3,K2
C18		CK73FB0J106K	CHIP C	10UF K	1	K3,K2
C19		CK73FB0J106K	CHIP C	10UF K	1	K3,K2
C20		CK73HB1H222K	CHIP C	2200PF K	1	K3,K2
C21		CK73HB1C333K	CHIP C	0.033UF K	1	K3,K2
C22		CK73HB1H222K	CHIP C	2200PF K	1	K3,K2
C23		CK73HB1A104K	CHIP C	0.10UF 10V K	1	K3,K2
C24		CK73HB1A104K	CHIP C	0.10UF 10V K	1	K3,K2
C25		CK73HB1A104K	CHIP C	0.10UF 10V K	1	K3,K2
C26		CK73HB1H122K	CHIP C	1200PF K	1	K3,K2
C27		CC73HCH1H180J	CHIP C	18PF J	1	K3,K2
C28		CC73HCH1H331J	CHIP C	330PF J	1	K3,K2
C29		CK73HB1A104K	CHIP C	0.10UF 10V K	1	K3,K2
C30		CK73HB1A104K	CHIP C	0.10UF 10V K	1	K3,K2
C31		CK73HB1A104K	CHIP C	0.10UF 10V K	1	K3,K2
C32		CK73HB1E103K	CHIP C	0.010UF 25V K	1	K3,K2
C33		CK73HB0J105K	CHIP C	1.0UF 6.3V K	1	K3,K2
C34		CK73HB1A104K	CHIP C	0.10UF 10V K	1	K3,K2
C35		CK73HB1A104K	CHIP C	0.10UF 10V K	1	K3,K2
C36		CC73HCH1H100D	CHIP C	10PF D	1	K3,K2
C37		CC73HCH1H100D	CHIP C	10PF D	1	K3,K2
C38		CK73HB1A104K	CHIP C	0.10UF 10V K	1	K3,K2
C39		CK73HB1A104K	CHIP C	0.10UF 10V K	1	K3,K2
C40		CK73HB1A104K	CHIP C	0.10UF 10V K	1	K3,K2
C41		CK73HB1A104K	CHIP C	0.10UF 10V K	1	K3,K2
C42		CK73HB1A104K	CHIP C	0.10UF 10V K	1	K3,K2
C43		CK73HB1A104K	CHIP C	0.10UF 10V K	1	K3,K2
C44		CK73HB1A104K	CHIP C	0.10UF 10V K	1	K3,K2
C45		CK73HB1A104K	CHIP C	0.10UF 10V K	1	K3,K2
C46		CK73HB1A104K	CHIP C	0.10UF 10V K	1	K3,K2
C47		CK73HB1A104K	CHIP C	0.10UF 10V K	1	K3,K2
C48		CK73HB1A104K	CHIP C	0.10UF 10V K	1	K3,K2
C49		CK73GB0J475K	CHIP C	4.7UF 6.3V K	1	K3,K2
C50		CK73HB1A104K	CHIP C	0.10UF 10V K	1	K3,K2
C51		CK73FB0J106K	CHIP C	10UF K	1	K3,K2
C52		CK73HB1A104K	CHIP C	0.10UF 10V K	1	K3,K2
C53		CK73HB1A104K	CHIP C	0.10UF 10V K	1	K3,K2
C54		CK73HB1A104K	CHIP C	0.10UF 10V K	1	K3,K2
C55		CK73HB1A104K	CHIP C	0.10UF 10V K	1	K3,K2
C56		CK73HB1A104K	CHIP C	0.10UF 10V K	1	K3,K2
C57		CK73HB1A104K	CHIP C	0.10UF 10V K	1	K3,K2
C58		CK73HB1A104K	CHIP C	0.10UF 10V K	1	K3,K2
R1		RK73HB1J000J	CHIP R	0.0 J 1/16W	1	K3,K2
R2		RK73HB1J000J	CHIP R	0.0 J 1/16W	1	K3,K2
R3		RK73HB1J000J	CHIP R	0.0 J 1/16W	1	K3,K2
R5		RK73HB1J000J	CHIP R	0.0 J 1/16W	1	K3,K2
R6		RK73HB1J103J	CHIP R	10K J 1/16W	1	K3,K2
R7		RK73HB1J103J	CHIP R	10K J 1/16W	1	K3,K2
R9		RK73HB1J470J	CHIP R	47 J 1/16W	1	K3,K2
R10		RK73HB1J470J	CHIP R	47 J 1/16W	1	K3,K2
R11		RK73HB1J470J	CHIP R	47 J 1/16W	1	K3,K2
R12		RK73HB1J470J	CHIP R	47 J 1/16W	1	K3,K2
R14		RK73HB1J122J	CHIP R	1.2K J 1/16W	1	K3,K2
R15		RK73HB1J122J	CHIP R	1.2K J 1/16W	1	K3,K2
R16		RK73HB1J124J	CHIP R	120K J 1/16W	1	K3,K2
R17		RK73HB1J124J	CHIP R	120K J 1/16W	1	K3,K2
R18		RK73HB1J333J	CHIP R	33K J 1/16W	1	K3,K2
R19		RK73HB1J471J	CHIP R	470 J 1/16W	1	K3,K2
R20		RK73HB1J103J	CHIP R	10K J 1/16W	1	K3,K2
R21		RK73HB1J822J	CHIP R	8.2K J 1/16W	1	K3,K2
R22		RK73HB1J471J	CHIP R	470 J 1/16W	1	K3,K2
R23		RK73HB1J103J	CHIP R	10K J 1/16W	1	K3,K2
R24		RK73HB1J472J	CHIP R	4.7K J 1/16W	1	K3,K2
R25		RK73HB1J153J	CHIP R	15K J 1/16W	1	K3,K2
R26		RK73HB1J153J	CHIP R	15K J 1/16W	1	K3,K2
R27		RK73HB1J472J	CHIP R	4.7K J 1/16W	1	K3,K2
R28		RK73HB1J472J	CHIP R	4.7K J 1/16W	1	K3,K2
R29		RK73HB1J472J	CHIP R	4.7K J 1/16W	1	K3,K2
R32		RK73GB2A000J	CHIP R	0.0 J 1/10W	1	K3,K2
R33		RK73GB2A4R7J	CHIP R	4.7 J 1/10W	1	K3,K2
R34		RK73HB1J000J	CHIP R	0.0 J 1/16W	1	K3,K2
R35		RK73HB1J153J	CHIP R	15K J 1/16W	1	K3,K2
R36		RK73HB1J153J	CHIP R	15K J 1/16W	1	K3,K2
R37		RK73HB1J220J	CHIP R	22 J 1/16W	1	K3,K2
R38		RK73HB1J220J	CHIP R	22 J 1/16W	1	K3,K2
R39		RK73HB1J220J	CHIP R	22 J 1/16W	1	K3,K2
R40		RK73HB1J220J	CHIP R	22 J 1/16W	1	K3,K2
R41		RK73HB1J470J	CHIP R	47 J 1/16W	1	K3,K2
R42		RK73HB1J223J	CHIP R	22K J 1/16W	1	K3,K2
R43		RK73HB1J223J	CHIP R	22K J 1/16W	1	K3,K2
R44		RK73HB1J330J	CHIP R	33 J 1/16W	1	K3,K2

MODEL	MARK	MODEL	MARK	MODEL	MARK	MODEL	MARK
KDC-5057SD	E2	KDC-610U	K7	KDC-655U	K5	KDC-BT855U	K3
KDC-X697	K4	KDC-X897	K2				

Safe	Symbol No.	Parts No.	Parts Name	Description	QTY	Local
R45		RK73HB1J330J	CHIP R	33 J 1/16W	1	K3,K2
R50		RK73HB1J470J	CHIP R	47 J 1/16W	1	K3,K2
R51		RK73HB1J470J	CHIP R	47 J 1/16W	1	K3,K2
R52		RK73HB1J472J	CHIP R	4.7K J 1/16W	1	K3,K2
R53		RK73HB1J472J	CHIP R	4.7K J 1/16W	1	K3,K2
R54		RK73HB1J472J	CHIP R	4.7K J 1/16W	1	K3,K2
R55		RK73HB1J472J	CHIP R	4.7K J 1/16W	1	K3,K2
R56		RK73HB1J472J	CHIP R	4.7K J 1/16W	1	K3,K2
R58		RK73HB1J470J	CHIP R	47 J 1/16W	1	K3,K2
R59		RK73HB1J470J	CHIP R	47 J 1/16W	1	K3,K2
R60		RK73HB1J470J	CHIP R	47 J 1/16W	1	K3,K2
R61		RK73HB1J223J	CHIP R	22K J 1/16W	1	K3,K2
R62		RK73HB1J102J	CHIP R	1.0K J 1/16W	1	K3,K2
R63		RK73HB1J102J	CHIP R	1.0K J 1/16W	1	K3,K2
R64		RK73HB1J105J	CHIP R	1.0M J 1/16W	1	K3,K2
R65		RK73HB1J332J	CHIP R	3.3K J 1/16W	1	K3,K2
R66		RK73HB1J472J	CHIP R	4.7K J 1/16W	1	K3,K2
R67		RK73HB1J470J	CHIP R	47 J 1/16W	1	K3,K2
R68		RK73HB1J472J	CHIP R	4.7K J 1/16W	1	K3,K2
R69		RK73HB1J470J	CHIP R	47 J 1/16W	1	K3,K2
R70		RK73GB2A000J	CHIP R	0.0 J 1/10W	1	K3,K2
R71		RK73HB1J470J	CHIP R	47 J 1/16W	1	K3,K2
R72		RK73GB2A000J	CHIP R	0.0 J 1/10W	1	K3,K2
R73		RK73GB2A000J	CHIP R	0.0 J 1/10W	1	K3,K2
R74		RK73HB1J472J	CHIP R	4.7K J 1/16W	1	K3,K2
R76		RK73HB1J104J	CHIP R	100K J 1/16W	1	K3,K2
R77		RK73HB1J000J	CHIP R	0.0 J 1/16W	1	K3,K2
R78		RK73HB1J102J	CHIP R	1.0K J 1/16W	1	K3,K2
R79		RK73HB1J473J	CHIP R	47K J 1/16W	1	K3,K2
R80		RK73HB1J473J	CHIP R	47K J 1/16W	1	K3,K2
R81		RK73HB1J470J	CHIP R	47 J 1/16W	1	K3,K2
R82		RK73HB1J472J	CHIP R	4.7K J 1/16W	1	K3,K2
R83		RK73HB1J470J	CHIP R	47 J 1/16W	1	K3,K2
R87		RK73HB1J000J	CHIP R	0.0 J 1/16W	1	K3,K2
R88		RK73HB1J000J	CHIP R	0.0 J 1/16W	1	K3,K2
R89		RK73HB1J104J	CHIP R	100K J 1/16W	1	K3,K2
R90		RK73HB1J104J	CHIP R	100K J 1/16W	1	K3,K2
R91		RK73GB2A000J	CHIP R	0.0 J 1/10W	1	K3,K2
R93		RK73HB1J223J	CHIP R	22K J 1/16W	1	K3,K2
A1		W02-5568-05	ELECTRIC CIRCUIT MODULE	BTR602	1	K3,K2
CN1		E41-3376-05	SOCKET FOR PIN ASSY	18PIN 2.0PITCH	1	K3,K2
X1		L77-3873-05	CRYSTAL RESONATOR	12.000MHZ	1	K3,K2
CD PLAYER UNIT (X32-6560-00) IN CD MECHA <X32>						
IC1		JCV8032	IC(MOS-IC)		1	
IC2		BD8222EFV	IC(ANALOGUE)		1	
IC4		XC6213B152N-G	IC(ANALOGUE)	1.5V	1	
Q1		2SA2188-T1(E)	TRANSISTOR	HFE=150-300	1	
C1		CK73HB1A104K	CHIP C	0.10UF 10V K	1	
C2		CK73FB0J106K	CHIP C	10UF K	1	
C3		CK73HB1A104K	CHIP C	0.10UF 10V K	1	
C4		CK73HB0J105K	CHIP C	1.0UF 6.3V K	1	
C5		CC73HCH1H680J	CHIP C	68PF J	1	
C6		CK73HB1H332K	CHIP C	3300PF 50V K	1	
C7		CK73HB1H222K	CHIP C	2200PF K	1	
C8		CK73HB1A104K	CHIP C	0.10UF 10V K	1	
C9		CK73HB0J105K	CHIP C	1.0UF 6.3V K	1	
C10		CK73HB1E103K	CHIP C	0.010UF 25V K	1	
C11		CK73HB1E153K	CHIP C	0.015UF K	1	
C12		CK73HB1A104K	CHIP C	0.10UF 10V K	1	
C13		CK73HB1E103K	CHIP C	0.010UF 25V K	1	
C14		CK73HB1C333K	CHIP C	0.033UF K	1	
C15		CK73HB1E153K	CHIP C	0.015UF K	1	
C19		CC73HCH1H470J	CHIP C	47PF J	1	
C22		CK73HB1A104K	CHIP C	0.10UF 10V K	1	
C23		CK73HB0J105K	CHIP C	1.0UF 6.3V K	1	
C24		CK73HB1A104K	CHIP C	0.10UF 10V K	1	
C25		CK73HB1A104K	CHIP C	0.10UF 10V K	1	
C26		CK73HB1A104K	CHIP C	0.10UF 10V K	1	
C27		CK73HB1A104K	CHIP C	0.10UF 10V K	1	
C28		CK73HB1H222K	CHIP C	2200PF K	1	
C29		CK73HB1H222K	CHIP C	2200PF K	1	
C30		CK73EB1A106K	CHIP C	10UF K	1	
C31		CK73EB1A106K	CHIP C	10UF K	1	
C37		CK73HB1H472K	CHIP C	4700PF K	1	
C38		CK73HB1A104K	CHIP C	0.10UF 10V K	1	
C40		CK73EB0J226K	CHIP C	22UF K	1	
C41		CK73GB0J225K	CHIP C	2.2UF 6.3V K	1	
C44		CK73HB0J105K	CHIP C	1.0UF 6.3V K	1	
C51		CK73HB1A104K	CHIP C	0.10UF 10V K	1	
C52		CC73HCH1H560J	CHIP C	56PF J	1	
C53		CK73HB1H152K	CHIP C	1500PF K	1	
C54		CK73HB1H682K	CHIP C	6800PF K	1	
C55		CK73HB1C333K	CHIP C	0.033UF K	1	
C56		CK73FB1A225K	CHIP C	2.2UF K	1	
C57		CK73HB1H332K	CHIP C	3300PF 50V K	1	
C60		CK73HB1A104K	CHIP C	0.10UF 10V K	1	
C62		CK73HB1A104K	CHIP C	0.10UF 10V K	1	
R1		RK73HB1J472J	CHIP R	4.7K J 1/16W	1	
R2		RK73HB1J104J	CHIP R	100K J 1/16W	1	

MODEL	MARK	MODEL	MARK	MODEL	MARK	MODEL	MARK
KDC-5057SD	E2	KDC-610U	K7	KDC-655U	K5	KDC-BT855U	K3
KDC-X697	K4	KDC-X897	K2				

Safe	Symbol No.	Parts No.	Parts Name	Description	QTY	Local
R3		RK73FB2B4R7J	CHIP R	4.7 J 1/8W	1	
R4		RK73HB1J225J	CHIP R	2.2M J 1/16W	1	
R5		RK73GB2A000J	CHIP R	0.0 J 1/10W	1	
R6		RK73HB1J221J	CHIP R	220 J 1/16W	1	
R7		RK73HB1J000J	CHIP R	0.0 J 1/16W	1	
R8		RK73HB1J153J	CHIP R	15K J 1/16W	1	
R9		RK73HB1J334J	CHIP R	330K J 1/16W	1	
R10		RK73HB1J104J	CHIP R	100K J 1/16W	1	
R11		RK73HB1J103J	CHIP R	10K J 1/16W	1	
R12		RK73HB1J103J	CHIP R	10K J 1/16W	1	
R13		RK73HB1J101J	CHIP R	100 J 1/16W	1	
R14		RK73HB1J105J	CHIP R	1.0M J 1/16W	1	
R15		RK73HB1J681J	CHIP R	680 J 1/16W	1	
R16		RK73HB1J4R7J	CHIP R	4.7 J 1/16W	1	
R17		RK73HB1J4R7J	CHIP R	4.7 J 1/16W	1	
R18		RK73HB1J131J	CHIP R	130 J 1/16W	1	
R23		RK73HB1J000J	CHIP R	0.0 J 1/16W	1	
R24		RK73HB1J000J	CHIP R	0.0 J 1/16W	1	
R25		RK73HB1J000J	CHIP R	0.0 J 1/16W	1	
R26		RK73HB1J000J	CHIP R	0.0 J 1/16W	1	
R27		RK73HB1J000J	CHIP R	0.0 J 1/16W	1	
R34		RK73HB1J113J	CHIP R	11K J 1/16W	1	
R36		RK73HB1J333J	CHIP R	33K J 1/16W	1	
R38		RK73HB1J273J	CHIP R	27K J 1/16W	1	
R42		RK73HB1J363J	CHIP R	36K J 1/16W	1	
R44		RK73HB1J101J	CHIP R	100 J 1/16W	1	
R45		RK73HB1J101J	CHIP R	100 J 1/16W	1	
R46		RK73HB1J101J	CHIP R	100 J 1/16W	1	
R47		RK73HB1J101J	CHIP R	100 J 1/16W	1	
R48		RK73HB1J101J	CHIP R	100 J 1/16W	1	
R49		RK73HB1J101J	CHIP R	100 J 1/16W	1	
R50		RK73HB1J101J	CHIP R	100 J 1/16W	1	
R51		RK73HB1J101J	CHIP R	100 J 1/16W	1	
R52		RK73HB1J000J	CHIP R	0.0 J 1/16W	1	
R60		RK73HB1J202J	CHIP R	2.0K J 1/16W	1	
R61		RK73HB1J682J	CHIP R	6.8K J 1/16W	1	
R62		RK73HB1J101J	CHIP R	100 J 1/16W	1	
R63		RK73HB1J472J	CHIP R	4.7K J 1/16W	1	
R64		RK73HB1J472J	CHIP R	4.7K J 1/16W	1	
R65		RK73HB1J101J	CHIP R	100 J 1/16W	1	
R66		RK73HB1J104J	CHIP R	100K J 1/16W	1	
R69		RK73HB1J332J	CHIP R	3.3K J 1/16W	1	
R71		RK73HB1J332J	CHIP R	3.3K J 1/16W	1	
R72		RK73HB1J332J	CHIP R	3.3K J 1/16W	1	
R76		RK73HB1J331J	CHIP R	330 J 1/16W	1	
R77		RK73HB1J101J	CHIP R	100 J 1/16W	1	
R78		RK73HB1J101J	CHIP R	100 J 1/16W	1	
R79		RK73HB1J000J	CHIP R	0.0 J 1/16W	1	
R80		RK73HB1J000J	CHIP R	0.0 J 1/16W	1	
R81		RK73HB1J000J	CHIP R	0.0 J 1/16W	1	
L2		L92-0330-05	CHIP FERRITE		1	
L3		L92-0330-05	CHIP FERRITE		1	
CN1		E41-3423-05	FLAT CABLE CONNECTOR	15P/0.5MM/ZIF/UP/AU	1	
CN2		E41-3373-05	FLAT CABLE CONNECTOR	26PIN/NON-ZIF/0.5A	1	
S1		S68-0931-05	PUSH SWITCH		1	
S2		S68-0931-05	PUSH SWITCH		1	
S3		S68-0932-05	PUSH SWITCH		1	
X1		L78-1246-05	RESONATOR	16.934MHZ	1	