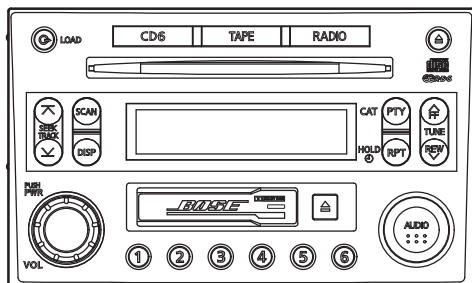


Service Manual



NISSAN Automobile Genuine
 AM/FM Radio, 6 CD changer,
 Cassette Stereo

Model **PP-2514L-D**

After Serial No.0055468

(Genuine No.28188 CF000)

(ID No.CR10B)

ORIGINAL SERVICE MANUAL

After Serial No.55468 of this model, please confirm that and correspond to the original manual.

This additional service manual is designed to be used together with Original model.

Original model	Manual No.
PP-2514L-A	298-6020-00

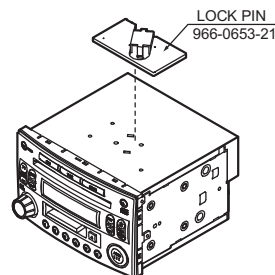
DIFFERENCE FROM ORIGINAL MODEL

1. Additional ON/OFF VNC circuit
2. Change of the CD changer mechanism section updated together with the original model (Refer to this service manual, page 8 to 16.)
3. Change of the escutcheon section
4. Change of AM/FM tuner
5. Change of the System Controller IC

NOTE

- * We cannot supply PWB with component parts in principle. When a circuit on PWB has failure, please repair it by component parts base. Parts which are not mentioned in service manual are not supplied.
- * Manufactured under license from Dolby Laboratories. "Dolby" and the double-D symbol are trademarks of Dolby Laboratories.
- * Specifications and design are subject to change without notice for further improvement.

* In case that the main unit is transported for repair, the lock pin (966-0653-21) must be set to fix the mechanism assy.



COMPONENTS

PP-2514L-D

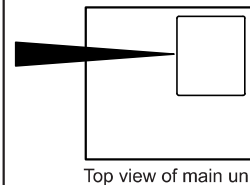
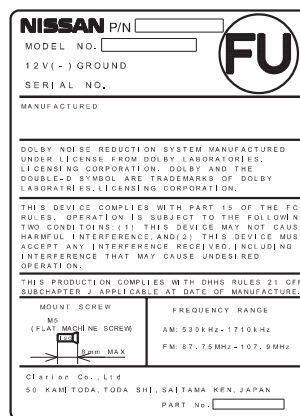
Main unit

----- 1

CAUTIONS

Use of controls, adjustment, or performance of procedures other than those specified herein, may result in hazardous radiation exposure.

The compact disc player should not be adjusted or repaired by anyone except properly qualified service personnel.



Top view of main unit

DIFFERENCE EXPLODED VIEW / PARTS LIST

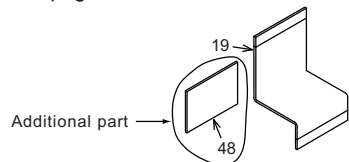
Main section

(Refer to page 5, 6 of the original service manual.)

The following parts are updated together with the original model.

NO.	PART NO.	DESCRIPTION	Q'TY
7	331-3236-02	MECH-BRKT	1
19	816-2563-10	FLAT WIRE	1
20	311-1834-03	LOWER CASE	1
22	331-3258-02	SIDE PLATE	1
23	331-3259-02	SIDE PLATE	1
27	929-0196-81	CD CHANGER MODULE	1
* 30	966-0653-21	LOCK PIN	1
38	335-6804-81	LCD HOLDER	1
46	039-2187-01	MAIN PWB (WITHOUT COMPONENT)	1
48	335-6788-00	MOLDED PARTS (ADDITIONAL PART)	1

* Refer to page 1 for the details of the lock pin of No.30.



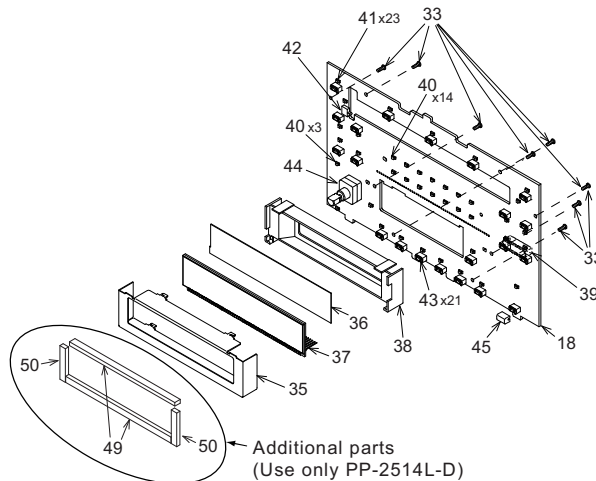
The following parts are difference parts.

NO.	PART NO.	DESCRIPTION	Q'TY
29	286-9526-24	SETPLATE	1
31	940-8004-86	ESCUTCHEON ASSY	1
32	380-5544-81	KNOB	1
34	373-0995-81	DIAL COVER	1
47	880-1921T	FM/AM TUNER	1

PP-2514L-D

The following parts are added parts.(Use only PP-2514L-D)

NO.	PART NO.	DESCRIPTION	Q'TY
49	345-5811-00	CUSHION SHADE	2
50	345-5812-00	CUSHION SHADE	2



Tape mechanism section

(Refer to page 7, 8 of the original service manual.)

The following part is updated together with the original model.

NO.	PART NO.	DESCRIPTION	Q'TY
22	606-0093-07	PACK GUIDE	1
30	613-0337-20	POWER GEAR	1

DIFFERENCE ELECTRICAL PARTS LIST

Main PWB section(B1)

(Refer to the original service manual, page 13 to 15.)

The following part is updated together with the original model.

REF No.	PART No.	DESCRIPTION
L401	010-3407-66	22uH J

The following parts are difference parts.

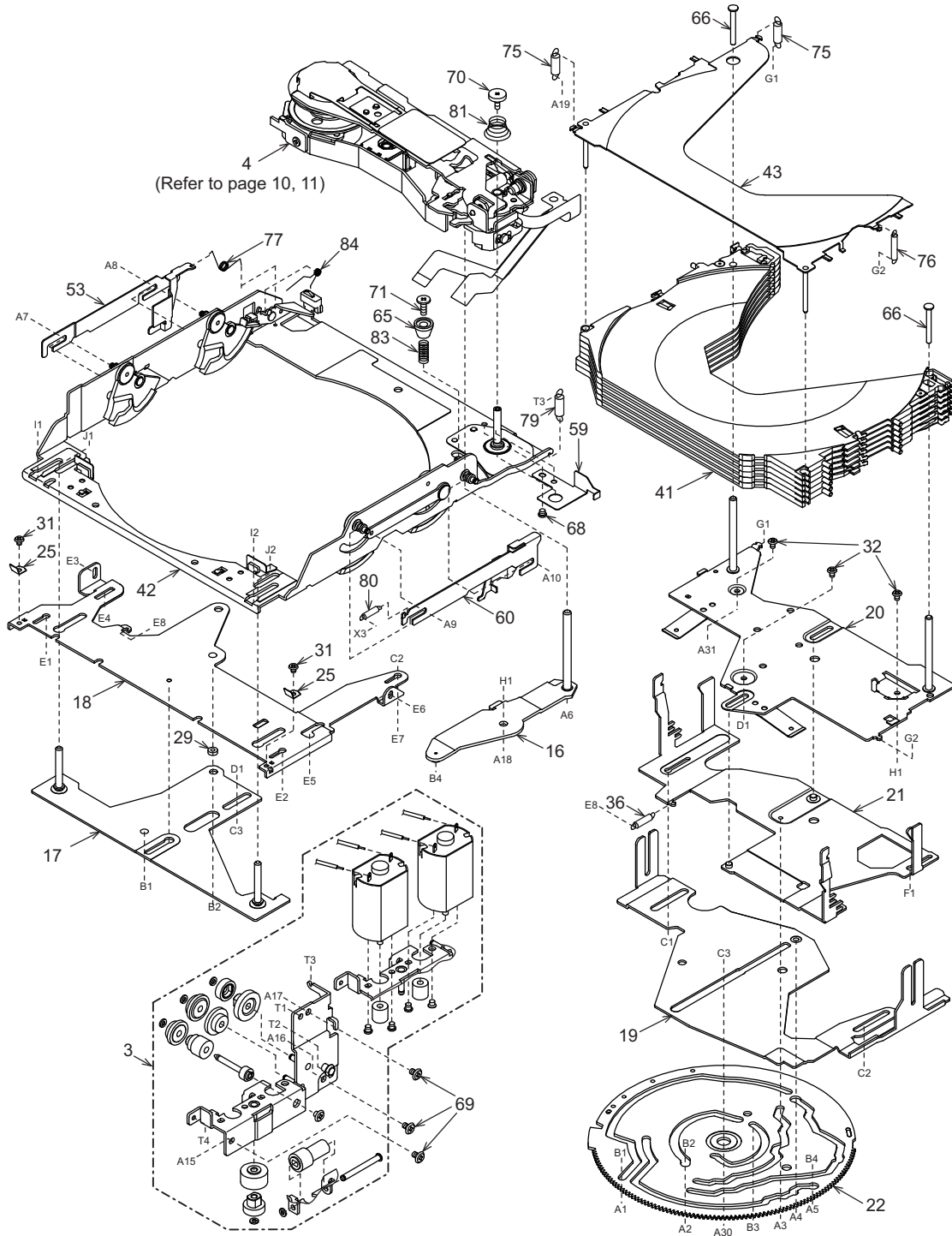
REF No.	PART No.	DESCRIPTION	REF No.	PART No.	DESCRIPTION	REF No.	PART No.	DESCRIPTION
BL101	880-1921T	FM/AM TUNER	C701	188-4753-68	50V4.7uF	D1006	001-0330-90	1SS119
C116	188-4763-18	6.3V47uF	C702	163-4753-55	35V4.7uF	D1007	001-0330-90	1SS119
C120	188-2253-68	50V2.2uF	C727	042-1548-52	10V220uF	IC404	052-3174-11	M30624MGA-554GP
C121	188-1073-28	10V100uF	C728	042-1548-52	10V220uF	Q109	191-1197-50	2SB1197K
C125	188-1073-28	10V100uF	C729	042-1548-52	10V220uF	Q111	191-1197-50	2SB1197K
C130	188-1073-28	10V100uF	C730	042-1548-52	10V220uF	Q514	191-1197-50	2SB1197K
C134	042-1458-90	50V1uF	C731	042-1548-52	10V220uF	R448	032-0140-52	1/10W 33k ohm F
C135	188-4763-38	16V47uF	C732	042-1548-52	10V220uF	R449	032-0140-52	1/10W 33k ohm F
C140	188-4763-38	16V47uF	C733	042-1548-52	10V220uF	R702	119-2231-15	1/10W 22k ohm
C405	042-1505-82	16V10uF	C734	042-1548-52	10V220uF	R705	119-2231-15	1/10W 22k ohm
C502	188-1073-28	10V100uF	C737	042-1548-52	10V220uF	R715	119-1031-15	1/10W 10k ohm
C503	188-1063-38	16V10uF	C1001	042-1562-67	16V10uF	R716	119-1031-15	1/10W 10k ohm
C511	188-1063-38	16V10uF	C1002	042-1562-67	16V10uF	R718	119-1031-15	1/10W 10k ohm
C515	188-4763-38	16V47uF	C1003	042-1562-67	16V10uF	R719	119-1031-15	1/10W 10k ohm
C612	042-1551-02	16V1000uF	C1004	042-1562-67	16V10uF	R1050	119-4721-15	1/10W 4.7k ohm
C613	188-1053-68	50V1uF	C1012	188-1066-38	16V10uF NP			
C615	188-1063-38	16V10uF	C1013	188-1066-38	16V10uF NP			

The following part is removal part.

REF No.	PART No.	DESCRIPTION
R624	119-4731-15	1/10W 47k ohm

The following parts are additional parts.

REF No.	PART No.	DESCRIPTION
D1050	001-0466-90	S5688B
Q1050	125-2005-91	UN2211
R623	119-4731-15	1/10W 47k ohm



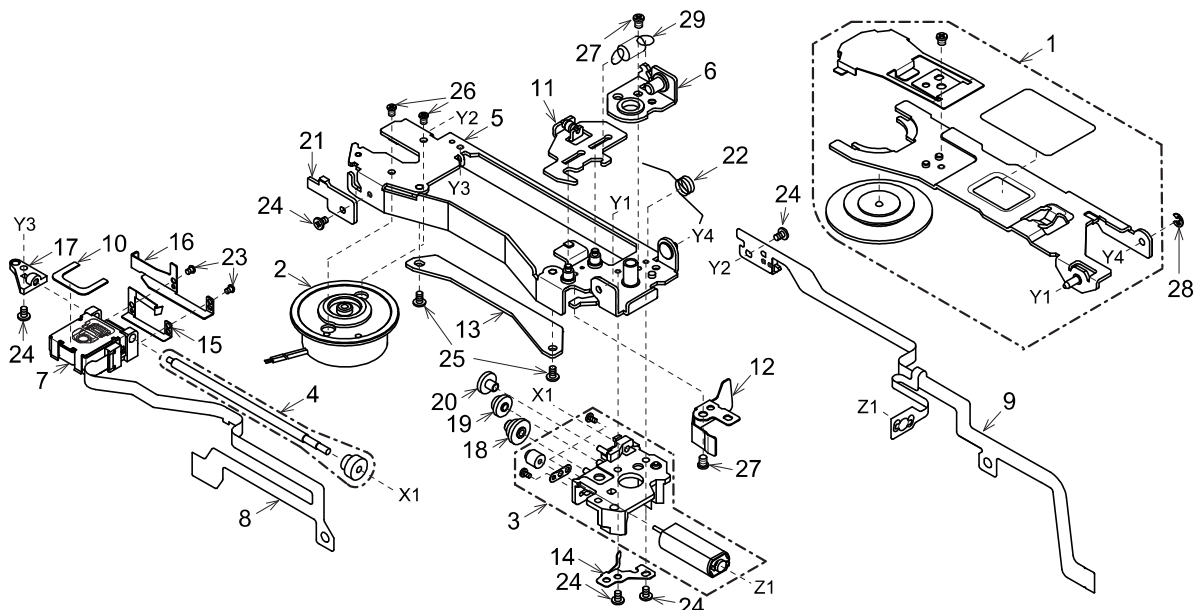
NO.	PART NO.	DESCRIPTION	Q'TY
1	HBS-521-100	LOADING UNIT	1
2	SMA-186-100	LOADING MOTOR-ASSY	1
3	HBS-530-100	MTR-P-SUB-ASSY	1
4	HBS-531-100	DRIVE UNIT	1
5	-----	DRIVER-PWB	1
6	-----	CD-PWB	1
7	-----	LED-L-PWB	1
8	-----	LED-R-PWB	1
9	039-2011-01	LED-FPC (WITHOUT COMPONENT)	1
10	620-1577-20	FRONT-PLATE	1
11	716-1866-00	SCREW(M1.7 x 3)	2

NO.	PART NO.	DESCRIPTION	Q'TY
12	-----	SENSOR-PWB	1
13	966-0597-24	CHASSIS-ASSY	1
14	966-0600-23	LOCK-P-RE-ASSY	1
15	966-0601-21	M-GEAR-P-ASSY	1
16	966-0602-24	DR-LINK-ASSY	1
17	966-0603-21	MODE-P-ASSY	1
18	966-0604-24	LOCK-PF-ASSY	1
19	966-0605-20	SHIFT-P-ASSY	1
20	966-0607-26	COV-PLATE-ASSY	1
21	966-0606-23	HLC-PLATE-ASSY	1
22	620-1041-26	GEAR PLATE	1
23	620-1042-20	M-GEAR-H	1

NO.	PART NO.	DESCRIPTION	Q'TY	NO.	PART NO.	DESCRIPTION	Q'TY
24	620-1090-20	GAP PLATE	1	53	620-1056-22	HLR-PLATE-L	1
25	620-1568-20	RATTLE PLATE-F	2	54	620-1066-20	LOCK LINK-LR	1
26	620-1604-20	DR-PLATE-SPRING	1	55	620-1067-21	SLIDE PLATE L	1
27	621-0640-20	V-GEAR-G	1	56	620-1068-22	SLIDE PLATE-R	1
28	622-1651-00	LOCK-RE-ROLLER	1	57	620-1071-21	EJECT ARM	1
29	622-1652-00	LOCK-PF-ROLLER	1	58	620-1072-20	EJECT PLATE	1
30	716-1850-01	SCREW(M2 x 2)	1	59	620-1083-20	FPC-PLATE	1
31	716-3450-00	SCREW(M1.7 x 2)	4	60	620-1580-20	HLR-PLATE-R	1
32	716-3451-00	SCREW(M1.7 x 2.5)	4	61	621-0641-21	PI-HOLDER-M	1
33	743-1200-10	E-RING	2	62	621-0656-21	PI-HOLDER-V	1
34	743-1500-10	E-RING	1	63	622-1622-20	SL-G-ROLLER	2
35	746-0761-00	WASHER	1	64	622-1623-00	SL-G-ROLLER-R	2
36	750-3485-01	TENTION-SP-L	1	65	622-1648-23	DU-STP-SLEEVE	1
37	750-3497-00	GAP-P-SPRING L	1	66	622-1650-23	COV-PLATE PIN B	2
38	966-0615-21	LOCK-L-RF-ASSY	1	67	716-1866-00	SCREW(M1.7 x 3)	2
39	966-0616-20	LOCK-L-LF-ASSY	1	68	716-1873-00	SCREW(M2 x 1.6)	1
40	966-0618-21	EJECT-B-ASSY	1	69	716-3449-00	SCREW(M2 x 3)	15
41	966-0624-27	DISC-HOL-ASSY	1	70	716-3459-00	SCREW(M1.7 x 5)	1
42	966-0652-22	DR-BASE-P-ASSY	1	71	716-3466-02	SCREW(M2 x 6)	1
43	HBS-535-100	TOP PLATE-ASSY	1	72	743-1500-10	E-RING	12
44	039-2009-00	PIM-FPC (WITHOUT COMPONENT)	1	73	746-0624-00	WASHER	1
45	039-2010-00	PIV-FPC (WITHOUT COMPONENT)	1	74	746-0712-23	WASHER	1
46	039-2012-00	SENSOR-FPC (WITHOUT COMPONENT)	1	75	750-3478-01	TOP-P-SP-L	2
47	039-2013-02	MOS-FPC (WITHOUT COMPONENT)	1	76	750-3479-01	TOP-P-SP-R	1
48	039-2014-01	L-MOTOR-FPC (WITHOUT COMPONENT)	1	77	750-3480-01	DR-LOCK-SP	1
49	347-6657-01	LO-COVER SHEET	1	78	750-3483-00	EJECT-A-SPRING	1
50	620-1576-20	LO-MOTOR-PLT	1	79	750-3484-01	DR-BASE-SPRING	1
51	738-1422-11	SCREW(M1.4 x 2.2)	2	80	750-3486-01	LO-TENSION-SP	1
52	347-6974-21	FPC COVER	1	81	750-3489-01	DRIVE-P-SPRING	1
				82	750-3496-00	GAP-P-SPRING R	1
				83	750-6711-01	DU-STP-SPRING	1
				84	750-6712-01	DR-LOCK-SP-B	1

Drive unit : CD changer mechanism section

* The parts list is the next page.



NO.	PART NO.	DESCRIPTION	Q'TY	NO.	PART NO.	DESCRIPTION	Q'TY
1	HBS-532-100	CLAMP SUB-ASSY	1	15	620-1587-83	SH-SPRING-PLT	1
2	SMA-185-101	SPINDLE MOTOR-ASSY	1	16	620-1730-81	SCREW-HOL-PLT	1
3	SMA-191-100	SLED MOTOR-ASSY	1	17	621-0670-20	LS-HOLDER-L	1
4	HBS-515-101	LS-ASSY	1	18	621-0673-20	D-GEAR-A	1
5	966-0649-82	DRIVE PLT-ASSY	1	19	621-0674-20	D-GEAR-B	1
6	966-0650-20	SPRING-PLT-ASSY	1	20	621-0675-20	D-GEAR-C	1
7	969-0011-00	PICK UP-ASSY	1	21	621-0683-21	DU-STOPPER	1
8	039-2015-01	P/U-FPC (WITHOUT COMPONENT)	1	22	750-3504-00	CLAMP-A-SPRING	1
9	039-2016-02	M/S-FPC (WITHOUT COMPONENT)	1	23	716-3511-00	SCREW(1.4 x 3)	2
10	347-6632-00	PU-SHEET	1	24	716-3470-00	SCREW(M1.7 x 3)	5
11	HBS-542-101	D-SHIFT-PLATE ASSY	1	25	716-3474-00	SCREW(M1.7 x 3)	2
12	620-1078-20	PUSH PLATE	1	26	738-1720-17	PRECISION SCREW(M1.7 x 2)	2
13	620-1080-22	PU-GUIDE-PLATE	1	27	738-2025-17	PRECISION SCREW(M2 x 2.5)	2
14	620-1081-20	SCREW PUSH-PLT	1	28	743-1500-10	E-RING	1
				29	750-3487-00	SHIFT-P-SPRING	1

ELECTRICAL PARTS LIST

CD PWB section(B6) : CD changer mechanism

REF No.	PART No.	DESCRIPTION	REF No.	PART No.	DESCRIPTION	REF No.	PART No.	DESCRIPTION
C2	046-1022-58	1000pF	C40	045-1211-50	120pF	R18	033-1031-15	1/10W 10k ohm
C3	168-1042-78	16V 0.1uF	C41	045-1011-50	100pF	R19	033-5621-15	1/10W 5.6k ohm
C4	042-0636-54	4V 220uF	C42	168-1042-78	16V 0.1uF	R20	033-6831-15	1/10W 68k ohm
C5	168-1042-78	16V 0.1uF	C43	042-0636-52	4V 47uF	R21	033-5621-15	1/10W 5.6k ohm
C6	046-1032-78	0.01uF	C50	168-1042-78	16V 0.1uF	R22	033-1031-15	1/10W 10k ohm
C7	168-1042-78	16V 0.1uF	C51	168-1042-78	16V 0.1uF	R23	033-1031-15	1/10W 10k ohm
C8	178-4742-78	0.47uF	C60	168-5612-55	560pF Z	R24	033-4731-15	1/10W 47k ohm
C9	178-2242-78	0.22uF	D1	001-0367-91	1SS226	R25	033-3931-15	1/10W 39k ohm
C10	168-1042-78	16V 0.1uF	IC1	051-6365-00	MN662785TBUC	R26	033-6831-15	1/10W 68k ohm
C11	168-1042-78	16V 0.1uF	IC2	051-9318-00	MSM51V17400D-60TS-K	R27	033-6831-15	1/10W 68k ohm
C12	168-1042-78	16V 0.1uF	IC3	051-6060-08	BD7961FM-E2	R28	033-1031-15	1/10W 10k ohm
C13	046-2232-78	0.022uF	IC4	051-5711-90	AN8882SB-E1	R29	033-2201-15	1/10W 22 ohm
C14	168-5612-55	560pF Z	J1	074-1189-95	45P	R31	033-8211-15	1/10W 820 ohm
C15	168-1042-78	16V 0.1uF	J4	074-1138-56	6P	R32	033-5631-15	1/10W 56k ohm
C16	046-2212-58	220pF	J5	074-1201-65	15P	R33	033-6831-15	1/10W 68k ohm
C17	046-2212-58	220pF	J6	074-1059-76	26P	R34	033-3331-15	1/10W 33k ohm
C18	168-1222-55	1200pF K	L2	010-2155-93	10uH	R35	033-6831-15	1/10W 68k ohm
C19	046-3322-58	3300pF	Q2	131-1188-00	2SB1188	R38	033-3931-15	1/10W 39k ohm
C20	168-3932-78	0.039uF K	Q3	131-1188-00	2SB1188	R39	033-1831-15	1/10W 18k ohm
C21	168-3932-78	0.039uF K	R2	033-1041-15	1/10W 100k ohm	R40	117-1001-15	1/8W 10 ohm
C22	042-0416-52	10V 10uF M TAN	R4	033-3311-15	1/10W 330 ohm	R41	033-6821-15	1/10W 6.8k ohm
C25	178-1052-78	1uF	R5	033-1041-15	1/10W 100k ohm	R42	033-6821-15	1/10W 6.8k ohm
C26	042-0472-91	16V 47uF	R6	033-3931-15	1/10W 39k ohm	R43	033-3331-15	1/10W 33k ohm
C27	178-3342-78	0.33uF	R7	033-1041-15	1/10W 100k ohm	R44	033-5631-15	1/10W 56k ohm
C29	168-2732-55	16V 0.027uF K	R8	033-5611-15	1/10W 560 ohm	R45	116-4711-15	1/4W 470 ohm
C30	042-0416-58	4V 100uF M TAN	R9	033-5611-15	1/10W 560 ohm	R46	117-1811-15	1/8W 180 ohm
C31	042-0636-52	4V 47uF	R10	033-1011-15	1/10W 100 ohm	R47	116-4711-15	1/4W 470 ohm
C32	046-1022-58	1000pF	R11	033-3911-15	1/10W 390 ohm	R48	033-1031-15	1/10W 10k ohm
C33	046-3322-58	3300pF	R12	033-2221-15	1/10W 2.2k ohm	R49	033-1011-15	1/10W 100 ohm
C34	168-2732-55	16V 0.027uF K	R13	033-6831-15	1/10W 68k ohm	R50	050-0140-74	1/32W 12k ohm x 4J
C35	178-2742-78	0.27uF	R14	033-5621-15	1/10W 5.6k ohm	R60	033-2221-15	1/10W 2.2k ohm
C36	178-1052-78	1uF	R15	033-1021-15	1/10W 1k ohm	TM1	073-0768-90	TERMINAL
C37	168-1042-78	16V 0.1uF	R16	033-5631-15	1/10W 56k ohm	X1	060-1527-90	33.8688MHz
C38	042-0472-91	16V 47uF	R17	033-1031-15	1/10W 10k ohm	PWB	039-2398-20	PWB(WITHOUT COMPONENT)
C39	042-0636-50	6.3V 100uF						

Side PWB section(B7) : CD changer mechanism

REF No.	PART No.	DESCRIPTION	REF No.	PART No.	DESCRIPTION	REF No.	PART No.	DESCRIPTION
C101	168-1045-56	0.1uF Z	C113	163-2263-35	16V22uF	C123	163-2263-35	16V22uF
C102	168-1042-78	16V 0.1uF	C114	163-2263-35	16V22uF	C124	042-0403-55	16V 33uF
C104	163-1073-15	6.3V100uF	C115	166-3311-50	330pF CH	C125	042-0403-55	16V 33uF
C106	163-1063-35	16V10uF	C116	166-3311-50	330pF CH	C501	163-1063-35	16V10uF
C107	163-1073-15	6.3V100uF	C117	166-1011-50	100pF CH	C502	168-1045-56	0.1uF Z
C108	168-1042-78	16V 0.1uF	C118	166-1011-50	100pF CH	C503	168-4735-56	0.047uF Z
C109	168-1042-78	16V 0.1uF	C119	168-2722-55	2700pF K	C504	168-1045-56	0.1uF Z
C110	168-1042-78	16V 0.1uF	C120	168-1022-55	1000pF K	D100	001-0516-90	MA111
C111	163-1073-35	16V100uF	C121	163-2263-35	16V22uF	D103	001-0504-07	HZS4BLL
C112	168-2722-55	2700pF K	C122	168-1022-55	1000pF K	D104	001-0516-90	MA111

REF No.	PART No.	DESCRIPTION	REF No.	PART No.	DESCRIPTION	REF No.	PART No.	DESCRIPTION
D105	001-0529-31	MA8056-L	R107	119-4731-15	1/10W 47k ohm	R515	119-2241-15	1/10W 220k ohm
IC501	051-9400-28	BR93LC46F-WE2	R108	119-1031-15	1/10W 10k ohm	R516	119-2241-15	1/10W 220k ohm
IC502	052-5047-24	M30621MCM-4U9GP	R109	119-1031-15	1/10W 10k ohm	R517	119-1041-15	1/10W 100k ohm
IC503	051-5418-08	S-80827ANMP-EDQ	R110	119-4741-15	1/10W 470k ohm	R518	119-2241-15	1/10W 220k ohm
IC504	051-1407-90	NJM4556AM	R111	119-4741-15	1/10W 470k ohm	R522	119-1041-15	1/10W 100k ohm
J101	074-1189-95	45P	R112	119-2731-15	1/10W 27k ohm	R524	119-1041-15	1/10W 100k ohm
J102	074-1191-22	22P	R113	119-2731-15	1/10W 27k ohm	R526	119-4731-15	1/10W 47k ohm
L101	010-3071-65	18uH	R114	119-2731-15	1/10W 27k ohm	R529	119-1021-15	1/10W 1k ohm
L102	010-3407-68	NLV32 33uH J	R115	119-2731-15	1/10W 27k ohm	R531	119-1021-15	1/10W 1k ohm
Q101	125-2004-92	RN1402	R116	119-5611-15	1/10W 560 ohm	R532	119-1021-15	1/10W 1k ohm
Q102	131-1188-50	2SB1188PQR	R117	119-5611-15	1/10W 560 ohm	R533	119-1021-15	1/10W 1k ohm
Q103	193-1758-00	2SD1758TK P,Q,R	R118	119-4731-15	1/10W 47k ohm	R535	119-2231-15	1/10W 22k ohm
Q104	193-1758-00	2SD1758TK P,Q,R	R119	119-4731-15	1/10W 47k ohm	R536	119-2231-15	1/10W 22k ohm
Q105	125-0014-92	DTA114EK	R120	119-3941-15	1/10W 390k ohm	R538	119-1031-15	1/10W 10k ohm
Q106	125-2004-92	RN1402	R121	119-1041-15	1/10W 100k ohm	R539	119-5631-15	1/10W 56k ohm
Q502	190-1162-00	2SA1162	R123	119-1041-15	1/10W 100k ohm	R541	119-1021-15	1/10W 1k ohm
Q503	190-1162-00	2SA1162	R124	119-1041-15	1/10W 100k ohm	R542	119-4721-15	1/10W 4.7k ohm
Q504	192-2712-00	2SC2712	R125	119-1041-15	1/10W 100k ohm	R543	119-1041-15	1/10W 100k ohm
Q505	125-2004-92	RN1402	R126	119-2221-15	1/10W 2.2k ohm	R544	119-1041-15	1/10W 100k ohm
Q506	125-0014-92	DTA114EK	R504	119-5621-15	1/10W 5.6k ohm	R545	119-1041-15	1/10W 100k ohm
Q507	125-0002-92	RN2402	R505	119-1031-15	1/10W 10k ohm	R546	119-1021-15	1/10W 1k ohm
Q508	192-2712-00	2SC2712	R506	119-1041-15	1/10W 100k ohm	R547	119-1021-15	1/10W 1k ohm
R101	119-4711-15	1/10W 470 ohm	R507	119-0000-05	1/10W 0 ohm JW	R548	119-1021-15	1/10W 1k ohm
R102	119-2231-15	1/10W 22k ohm	R509	119-4731-15	1/10W 47k ohm	R549	119-1021-15	1/10W 1k ohm
R103	119-1821-15	1/10W 1.8k ohm	R510	119-1031-15	1/10W 10k ohm	X501	060-1505-50	10MHz
R104	119-1831-15	1/10W 18k ohm	R511	119-1031-15	1/10W 10k ohm	PWB	039-2433-20	PWB(WITHOUT COMPONENT)
R105	116-1211-15	1/4W 120 ohm	R512	050-0145-54	1/16W 47k ohm x4			
R106	119-1041-15	1/10W 100k ohm	R513	119-1041-15	1/10W 100k ohm			
			R514	119-2241-15	1/10W 220k ohm			

Sensor PWB section(B8) : CD changer mechanism

REF No.	PART No.	DESCRIPTION	REF No.	PART No.	DESCRIPTION	REF No.	PART No.	DESCRIPTION
PT3	060-0252-01	PT4850F	PT6	060-0252-01	PT4850F	PWB	039-1956-00	PWB(WITHOUT COMPONENT)
PT4	060-0252-01	PT4850F	S1	013-7414-50	SPVG22			
PT5	060-0252-01	PT4850F						

PIM-FPC section(B9) : CD changer mechanism

REF No.	PART No.	DESCRIPTION
IC5	051-5806-02	GPIS95

Driver PWB section(B10) : CD changer mechanism

REF No.	PART No.	DESCRIPTION	REF No.	PART No.	DESCRIPTION	REF No.	PART No.	DESCRIPTION
C1	168-1045-56	0.1uF Z	J1	074-1239-76	26P	R3	032-0104-59	1/4W 2.2 ohm
C2	163-1073-35	16V100uF	J2	074-1100-59	9P	S2	013-7412-50	SPVG21
D1	001-0529-29	MA8051-M	R1	033-1021-15	1/10W 1k ohm	PWB	039-2242-00	PWB(WITHOUT COMPONENT)
IC1	051-6044-18	BA6920FP-Y	R2	032-0104-59	1/4W 2.2 ohm			

PIV-FPC section(B11) : CD changer mechanism

REF No.	PART No.	DESCRIPTION
IC6	051-5806-01	GPIS93

LED-L-PWB(B12) section : CD changer mechanism

REF No.	PART No.	DESCRIPTION	REF No.	PART No.	DESCRIPTION	REF No.	PART No.	DESCRIPTION
LED3	001-7042-00	GL4800	LED4	001-7042-00	GL4800	PWB	039-1954-20	PWB(WITHOUT COMPONENT)

LED-R-PWB(B13) section : CD changer mechanism

REF No.	PART No.	DESCRIPTION	REF No.	PART No.	DESCRIPTION	REF No.	PART No.	DESCRIPTION
LED5	001-7042-00	GL4800	LED6	001-7042-00	GL4800	PWB	039-1955-20	PWB(WITHOUT COMPONENT)

L-Motor-FPC(B14) section : CD changer mechanism

REF No.	PART No.	DESCRIPTION
M1	SMA-186-100	LOADING

M/S-FPC(B15) section : CD changer mechanism

REF No.	PART No.	DESCRIPTION	REF No.	PART No.	DESCRIPTION	REF No.	PART No.	DESCRIPTION
M2	SMA-185-101	SPINDLE	M3	SMA-191-100	SLED	S3	013-7414-50	SPVG22