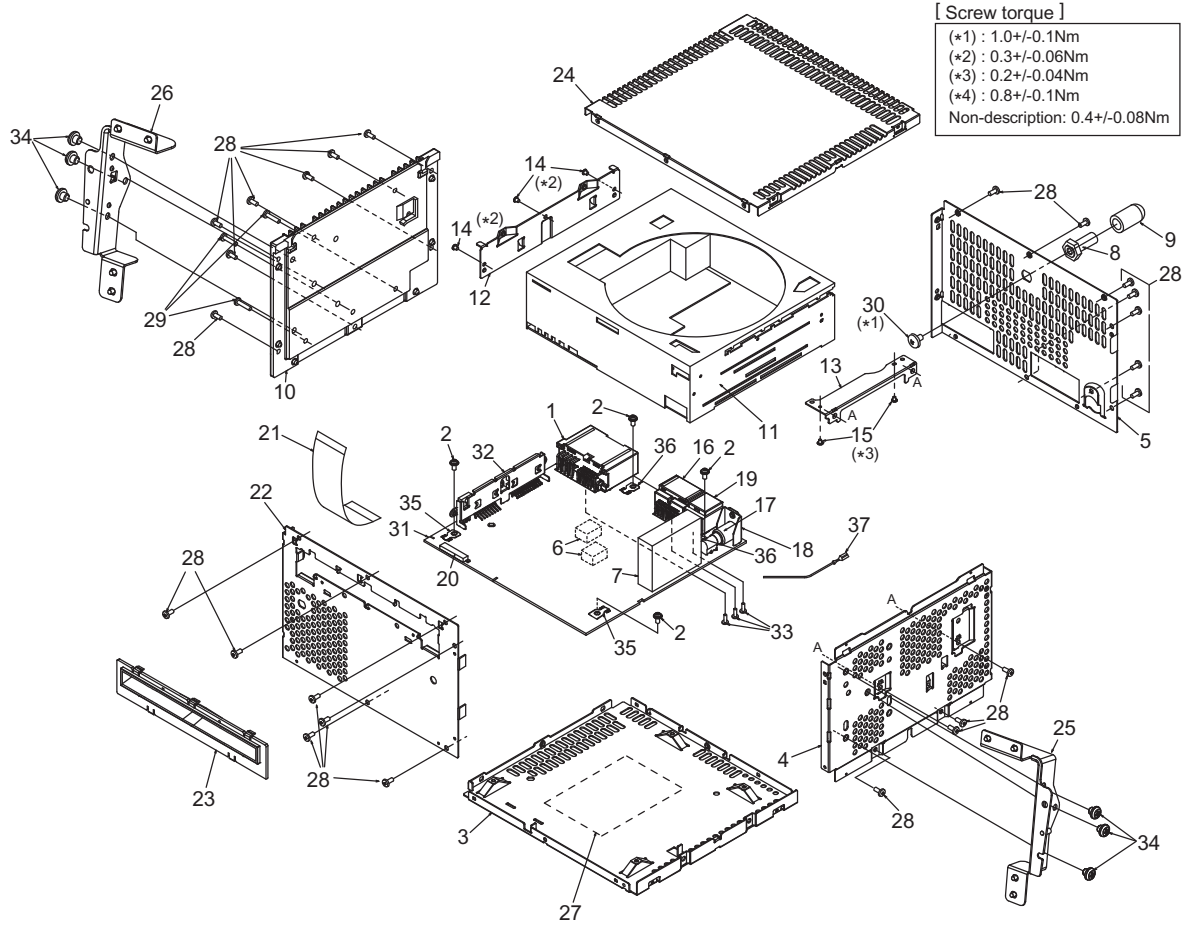


EXPLODED VIEW/PARTS LIST



NO.	PART NO.	DESCRIPTION	Q'TY
1	074-4032-24	OUTLET SOCKET(26P)	1
2	716-0878-50	SCREW(M2.6x5)	4
3	304-0487-00	LOWER-CVR	1
4	305-0349-10	SIDE-CVR	1
5	307-0730-11	REAR-CVR	1
6	345-6066-00	GASKET	2
7	880-20911	AM/FM TUNER PACK	1
8	716-3607-00	REAR BOLT	1
9	345-6054-00	RUBBER PART	1
10	313-2020-02	HEAT SINK	1
11	929-0400-83	CD-CHANG-MODULE	1
12	331-4434-00	MECH BRKT(L)	1
13	331-4435-00	MECH-BRKT(R)	1
14	716-3552-00	SCREW(M2.3x2.5)	3
15	716-1799-00	SCREW(M2x2.5)	2
16	074-4032-16	OUTLET SOCKET(16P)	1
17	092-2228-60	ANT-RECEPT	1
18	331-4433-00	ANT HOLDER	1
19	074-4032-08	SOCKET(8P)	1

NO.	PART NO.	DESCRIPTION	Q'TY
20	074-1237-69	PULG(19P)	1
21	816-4045-52	FLAT WIRE	1
22	309-0847-02	FRONT PLATE	1
23	335-8125-01	DISC GUIDE	1
24	303-0494-00	UPPER-CVR	1
25	300-8194-00	MTG-BRKT-ASSY R	1
26	300-8193-00	MTG-BRKT-ASSY L	1
27	276-0647-22	SETPLATE	1
28	714-2606-8B	SCREW(M2.6x6)	24
29	714-2612-8H	SCREW(M2.6x12)	3
30	714-5006-8B	SCREW(M5x6)	1
31	-----	Main PWB	1
32	331-4432-01	IC HOLDER	1
33	716-3617-00	SCREW(M2.5x6)	3
34	716-3648-00	SCREW(M5x0.8)	6
35	073-0762-90	TERMINAL	2
36	073-0768-90	TERMINAL	2
37	840-0544-50	BONDING WIRE	1

ELECTRICAL PARTS LIST

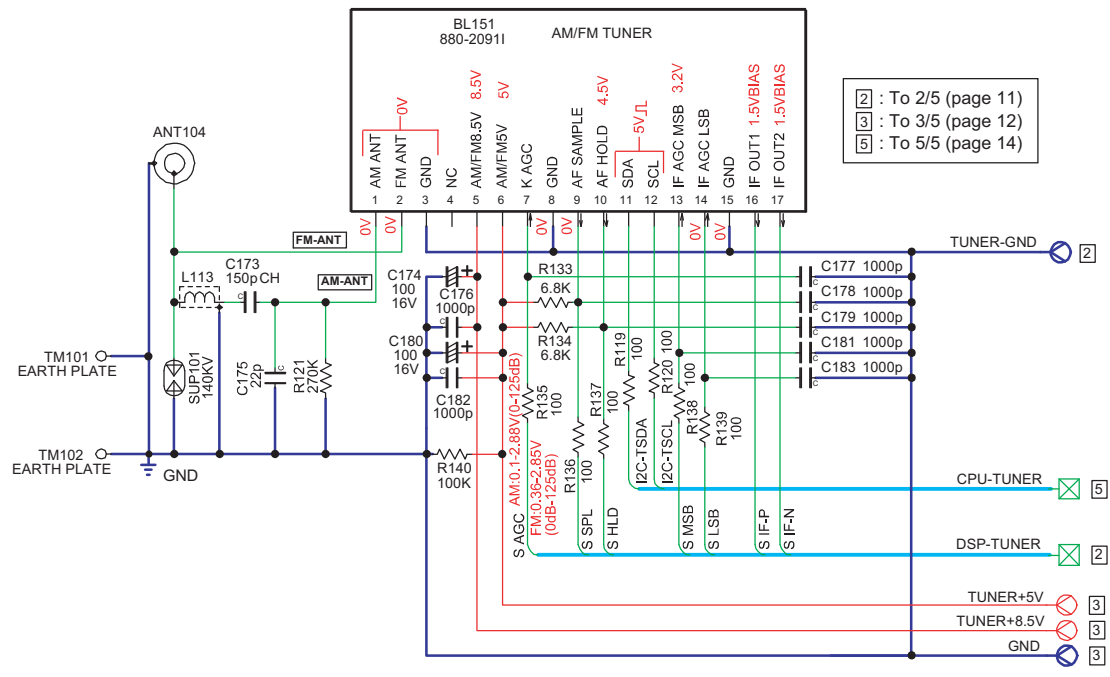
Main PWB(B1) section

REF No.	PART No.	DESCRIPTION	REF No.	PART No.	DESCRIPTION	REF No.	PART No.	DESCRIPTION
ANT104	092-2228-60	ANT-RECEPT	C272	163-2263-15	6.3V 22uF	C450	178-2222-78	2200pF
BL151	880-20911	AM/FM TUNER	C273	168-1052-78	16V 1uF K	C451	178-2222-78	2200pF
C173	166-1511-50	150pF CH	C274	163-4753-55	35V 4.7uF	C452	178-2222-78	2200pF
C174	163-1073-35	16V 100uF	C276	166-2211-50	220pF CH	C453	168-1042-78	16V 0.1uF K
C175	166-2201-50	22pF CH	C277	168-1042-78	16V 0.1uF K	C454	166-1011-50	100pF CH
C176	168-1022-55	1000pF K	C278	166-2211-50	220pF CH	C455	168-2245-79	0.22uF Z
C177	168-1022-55	1000pF K	C279	168-1052-78	16V 1uF K	C456	168-1042-78	16V 0.1uF K
C178	168-1022-55	1000pF K	C280	178-1055-79	1uF	C457	178-2222-78	2200pF
C179	168-1022-55	1000pF K	C281	168-2722-55	2700pF K	C458	178-1045-79	0.1uF
C180	163-1073-35	16V 100uF	C282	168-2722-55	2700pF K	C459	163-2263-35	16V 22uF
C181	168-1022-55	1000pF K	C283	178-1055-79	1uF	C460	163-2263-35	16V 22uF
C182	168-1022-55	1000pF K	C284	178-1055-79	1uF	C461	168-1042-78	16V 0.1uF K
C183	168-1022-55	1000pF K	C285	168-2722-55	2700pF K	C462	163-2263-35	16V 22uF
C201	168-1042-78	16V 0.1uF K	C286	168-2722-55	2700pF K	C463	168-1042-78	16V 0.1uF K
C202	168-2232-55	0.022uF K	C287	178-1055-79	1uF	C464	042-0423-97	16V 10uF
C203	168-2232-55	0.022uF K	C288	168-1542-58	0.15uF K	C499	178-2222-78	2200pF
C204	168-2232-55	0.022uF K	C289	168-1542-58	0.15uF K	C500	168-6842-78	0.68uF K
C206	166-1011-50	100pF CH	C290	168-3322-55	3300pF K	C501	166-5611-50	560pF CH
C207	168-1042-78	16V 0.1uF K	C291	168-3322-55	3300pF K	C502	166-5611-50	560pF CH
C209	168-1042-78	16V 0.1uF K	C292	168-3322-55	3300pF K	C503	163-3353-65	50V 3.3uF
C212	166-1011-50	100pF CH	C293	168-3322-55	3300pF K	C505	163-1063-35	16V 10uF
C214	166-9097-50	9pF CH	C294	168-3322-55	3300pF K	C506	166-5611-50	560pF CH
C215	178-1055-79	1uF	C295	168-3322-55	3300pF K	C507	163-1063-35	16V 10uF
C216	166-4711-50	470pF CH	C297	168-1032-55	0.01uF K	C508	166-5611-50	560pF CH
C217	166-9097-50	9pF CH	C300	042-0416-60	25V 10uF M TAN	C509	163-4763-35	16V 47uF
C218	166-1811-50	180pF CH	C379	163-1073-35	16V 100uF	C510	043-0499-51	50V 0.1uF J
C219	168-1022-55	1000pF K	C400	042-1767-90	16V 470uF	C511	042-1717-00	16V 3300uF
C226	163-1053-65	50V 1uF	C401	042-1767-90	16V 470uF	C512	166-5611-50	560pF CH
C227	168-5622-55	5600pF K	C402	178-1042-78	0.1uF	C513	166-2201-50	22pF CH
C228	163-1053-65	50V 1uF	C403	163-1063-35	16V 10uF	C514	166-2201-50	22pF CH
C229	168-5622-55	5600pF K	C404	178-1042-78	0.1uF	C517	166-5611-50	560pF CH
C230	168-1042-78	16V 0.1uF K	C405	178-2222-78	2200pF	C519	168-1052-78	16V 1uF K
C231	168-1022-55	1000pF K	C406	168-1042-78	16V 0.1uF K	C522	168-1052-78	16V 1uF K
C232	163-4753-55	35V 4.7uF	C407	163-1063-35	16V 10uF	C524	168-1052-78	16V 1uF K
C233	168-1042-78	16V 0.1uF K	C408	163-2263-35	16V 22uF	C525	168-1052-78	16V 1uF K
C234	166-1011-50	100pF CH	C409	168-1042-78	16V 0.1uF K	C527	168-1052-78	16V 1uF K
C235	168-2232-55	0.022uF K	C410	168-1042-78	16V 0.1uF K	C528	166-2201-50	22pF CH
C236	168-1022-55	1000pF K	C411	178-1042-78	0.1uF	C529	166-2201-50	22pF CH
C237	168-1042-78	16V 0.1uF K	C412	168-1042-78	16V 0.1uF K	C530	166-5611-50	560pF CH
C238	163-3373-15	6.3V 330uF	C413	168-1042-78	16V 0.1uF K	C531	166-5611-50	560pF CH
C239	168-1042-78	16V 0.1uF K	C414	042-1767-90	16V 470uF	C532	166-5611-50	560pF CH
C240	163-2273-25	10V 220uF	C415	178-1042-78	0.1uF	C537	166-5611-50	560pF CH
C241	168-1042-78	16V 0.1uF K	C416	178-2222-78	2200pF	C538	163-1063-35	16V 10uF
C242	168-1042-78	16V 0.1uF K	C417	178-2222-78	2200pF	C539	163-1063-35	16V 10uF
C243	168-1022-55	1000pF K	C418	178-2222-78	2200pF	C540	166-5611-50	560pF CH
C244	168-2232-55	0.022uF K	C419	178-2222-78	2200pF	C541	166-5611-50	560pF CH
C245	168-1042-78	16V 0.1uF K	C420	178-2222-78	2200pF	C543	163-2263-15	6.3V 22uF
C246	168-1032-55	0.01uF K	C421	178-2222-78	2200pF	C544	163-2263-15	6.3V 22uF
C247	168-2222-55	2200pF K	C422	178-2222-78	2200pF	C545	163-2263-15	6.3V 22uF
C248	168-2222-55	2200pF K	C423	178-2222-78	2200pF	C547	163-4743-65	50V 0.47uF
C249	163-4753-55	35V 4.7uF	C424	178-2222-78	2200pF	C549	166-1007-50	10pF CH
C250	168-1042-78	16V 0.1uF K	C425	178-1022-78	1000pF	C550	168-1042-78	16V 0.1uF K
C252	163-4753-55	35V 4.7uF	C426	178-1022-78	1000pF	C551	163-2263-35	16V 22uF
C253	168-1042-78	16V 0.1uF K	C427	178-1022-78	1000pF	C554	166-1007-50	10pF CH
C255	166-1011-50	100pF CH	C428	178-1022-78	1000pF	C555	166-1007-50	10pF CH
C256	168-1042-78	16V 0.1uF K	C429	168-1022-55	1000pF K	C556	168-1042-78	16V 0.1uF K
C257	178-1055-79	1uF	C430	168-1042-78	16V 0.1uF K	C557	163-2263-35	16V 22uF
C258	168-3332-78	0.033uF K	C431	178-1042-78	0.1uF	C558	163-2253-65	50V 2.2uF
C259	163-4763-15	6.3V 47uF	C432	178-1042-78	0.1uF	C559	166-1011-50	100pF CH
C260	042-0423-94	10V 4.7uF	C435	168-3332-78	0.033uF K	C563	166-1007-50	10pF CH
C261	168-1022-55	1000pF K	C437	178-2222-78	2200pF	C564	163-4743-65	50V 0.47uF
C262	168-1042-78	16V 0.1uF K	C438	178-2222-78	2200pF	C568	166-2201-50	22pF CH
C263	163-1063-35	16V 10uF	C441	178-2222-78	2200pF	C569	166-5611-50	560pF CH
C264	168-1052-78	16V 1uF K	C442	178-2222-78	2200pF	C570	166-5611-50	560pF CH
C265	166-2211-50	220pF CH	C443	178-2222-78	2200pF	C571	166-5611-50	560pF CH
C266	166-2211-50	220pF CH	C444	176-1011-59	100pF SL	C572	166-2201-50	22pF CH
C267	163-1073-15	6.3V 100uF	C445	176-1011-59	100pF SL	C573	166-5611-50	560pF CH
C268	168-1042-78	16V 0.1uF K	C446	178-2222-78	2200pF	C574	166-5611-50	560pF CH
C269	168-4732-78	0.047uF K	C447	168-1045-56	25V 0.1uF Z	C575	166-5611-50	560pF CH
C270	163-2263-15	6.3V 22uF	C448	163-2263-15	6.3V 22uF	C600	166-1801-50	18pF CH
C271	168-1052-78	16V 1uF K	C449	178-2222-78	2200pF	C601	168-1032-55	0.01uF K

REF No.	PART No.	DESCRIPTION	REF No.	PART No.	DESCRIPTION	REF No.	PART No.	DESCRIPTION
C602	166-1011-50	100pF CH	L214	010-3104-54	600 ohm/100MHz	R240	119-2031-15	1/10W 20k ohm
C603	168-1042-78	16V 0.1uF K	L215	010-3105-62	1k ohm/100MHz	R241	119-2031-15	1/10W 20k ohm
C604	163-4753-55	35V 4.7uF	L216	010-3105-62	1k ohm/100MHz	R243	032-0140-89	1/10W 47k ohm F
C605	163-4753-55	35V 4.7uF	L217	010-3105-62	1k ohm/100MHz	R244	119-1041-15	1/10W 100k ohm
C607	168-1042-78	16V 0.1uF K	L218	010-3105-62	1k ohm/100MHz	R245	119-1001-15	1/10W 10 ohm
C608	042-0643-52	6.3V 1000uF	L219	010-3105-62	1k ohm/100MHz	R246	032-0140-89	1/10W 47k ohm F
C609	042-0643-52	6.3V 1000uF	L220	010-3105-62	1k ohm/100MHz	R247	032-0140-89	1/10W 47k ohm F
C610	178-1055-79	1uF	L221	010-3105-62	1k ohm/100MHz	R249	119-1041-15	1/10W 100k ohm
C611	168-1022-55	1000pF K	L222	010-3104-54	600 ohm/100MHz	R251	032-0140-89	1/10W 47k ohm F
C612	168-1042-78	16V 0.1uF K	L223	010-3105-62	1k ohm/100MHz	R252	032-0140-62	1/10W 1k ohm F
C613	168-1032-55	0.01uF K	L401	010-8049-00	145uH	R253	032-0140-62	1/10W 1k ohm F
C616	168-1042-78	16V 0.1uF K	L601	010-3105-62	1k ohm/100MHz	R254	032-0140-62	1/10W 1k ohm F
D400	001-0516-90	MA111	L602	010-3105-62	1k ohm/100MHz	R255	032-0140-62	1/10W 1k ohm F
D402	001-0592-00	RM4Z	Q201	125-7007-90	Si5441BDC-TI-E3	R331	119-1021-15	1/10W 1k ohm
D403	001-4315-50	MMBZ27VCLT1G	Q400	192-4081-00	2SC4081	R332	119-1031-15	1/10W 10k ohm
D404	001-0516-90	MA111	Q401	192-4081-00	2SC4081	R400	116-2011-15	1/4W 200 ohm
D405	001-0516-90	MA111	Q405	192-4081-00	2SC4081	R401	119-1041-15	1/10W 100k ohm
D406	001-1304-90	DAN202U	Q406	125-2027-91	DTC114EUA	R402	119-1031-15	1/10W 10k ohm
D407	001-4315-50	MMBZ27VCLT1G	Q407	103-2394-00	2SD2394	R403	119-9121-15	1/10W 9.1k ohm
D408	001-0529-28	MA8051-L	Q408	192-4081-00	2SC4081	R404	119-1021-15	1/10W 1k ohm
D409	001-0516-90	MA111	Q409	125-9026-90	IMF29	R405	119-1021-15	1/10W 1k ohm
D410	001-0516-90	MA111	Q410	125-2027-91	DTC114EUA	R406	119-1021-15	1/10W 1k ohm
D411	001-0529-42	MA8075-H	Q411	125-9026-90	IMF29	R407	119-1021-15	1/10W 1k ohm
D412	001-0529-42	MA8075-H	Q412	125-9017-92	UMD3N-TR	R408	119-1041-15	1/10W 100k ohm
D414	001-0516-90	MA111	Q413	192-4081-00	2SC4081	R409	032-0140-56	1/10W 12k ohm F
D416	001-0516-90	MA111	Q414	192-4081-00	2SC4081	R410	032-0140-80	1/10W 18k ohm F
D418	001-0529-32	MA8056-M	Q418	125-9017-92	UMD3N-TR	R411	119-1231-15	1/10W 12k ohm
D419	001-4313-52	HZU7CZL	Q421	190-1576-00	2SA1576A	R412	119-3321-15	1/10W 3.3k ohm
D420	001-0516-90	MA111	Q424	125-2042-90	DTC614TU-T106	R413	116-5691-15	1/4W 5.6 ohm
D422	001-0516-90	MA111	Q502	125-9017-92	UMD3N-TR	R414	119-9121-15	1/10W 9.1k ohm
D423	001-0516-90	MA111	Q504	125-2027-91	DTC114EUA	R415	119-1031-15	1/10W 10k ohm
D501	001-0529-21	MA8039-H	Q510	125-0021-92	DTA124EUA	R417	119-1031-15	1/10W 10k ohm
D502	001-0516-90	MA111	Q511	125-2042-90	DTC614TU-T106	R418	117-2721-15	1/8W 2.7k ohm
D505	001-1304-90	DAN202U	Q512	192-4081-00	2SC4081	R419	119-1521-15	1/10W 1.5k ohm
D603	001-0516-90	MA111	Q513	125-2042-90	DTC614TU-T106	R420	119-4721-15	1/10W 4.7k ohm
D604	001-0535-90	MA729	Q601	125-2027-92	DTC124EUA	R421	119-3921-15	1/10W 3.9k ohm
IC201	051-6706-60	SAF7730/N317	Q602	192-4081-00	2SC4081	R423	119-3921-15	1/10W 3.9k ohm
IC401	051-3510-01	TDA3681	R113	119-1001-15	1/10W 10 ohm	R425	116-1221-15	1/4W 1.2k ohm
IC402	051-3402-90	NJM2406F	R114	119-1001-15	1/10W 10 ohm	R426	116-1221-15	1/4W 1.2k ohm
IC403	051-3512-90	BH33PB1WHFV	R119	119-1011-15	1/10W 100 ohm	R427	116-1221-15	1/4W 1.2k ohm
IC404	051-3344-90	BD3930FP-E2	R120	119-1011-15	1/10W 100 ohm	R428	116-1221-15	1/4W 1.2k ohm
IC405	051-3218-90	TA76431F	R121	119-2741-15	1/10W 270k ohm	R430	119-1031-15	1/10W 10k ohm
IC407	051-6653-90	TJA1040T/N1	R133	119-6821-15	1/10W 6.8k ohm	R431	119-2731-15	1/10W 27k ohm
IC408	051-5459-90	BD4836G-TR	R134	119-6821-15	1/10W 6.8k ohm	R433	119-2221-15	1/10W 2.2k ohm
IC501	051-2062-00	TDA7563B	R135	119-1011-15	1/10W 100 ohm	R436	119-2221-15	1/10W 2.2k ohm
IC502	051-3019-90	NJM2060V	R136	119-1011-15	1/10W 100 ohm	R439	119-2231-15	1/10W 22k ohm
IC503	051-3057-90	BA4558RFV	R137	119-1011-15	1/10W 100 ohm	R440	119-1031-15	1/10W 10k ohm
IC504	051-3057-90	BA4558RFV	R138	119-1011-15	1/10W 100 ohm	R441	119-4711-15	1/10W 470 ohm
IC505	051-3057-90	BA4558RFV	R139	119-1011-15	1/10W 100 ohm	R442	119-1031-15	1/10W 10k ohm
IC506	051-3057-90	BA4558RFV	R140	119-1041-15	1/10W 100k ohm	R443	119-2231-15	1/10W 22k ohm
IC602	-----	uPD70F3351GC-8EA-A	R201	119-1031-15	1/10W 10k ohm	R444	119-1031-15	1/10W 10k ohm
IC603	051-5423-08	S-80929CLMC-G6Z	R205	119-1031-15	1/10W 10k ohm	R445	119-4711-15	1/10W 470 ohm
IC604	-----	BR24L32FV-WE2	R207	119-1031-15	1/10W 10k ohm	R446	119-1031-15	1/10W 10k ohm
J401	074-4032-24	24P	R211	119-1031-15	1/10W 10k ohm	R449	119-1031-15	1/10W 10k ohm
J402	074-4032-08	8P	R213	119-1011-15	1/10W 100 ohm	R451	119-1021-15	1/10W 1k ohm
J403	074-4032-16	16P	R214	119-1021-15	1/10W 1k ohm	R456	116-2721-15	1/4W 2.7k ohm
J601	076-6000-58	PLUG	R217	119-1001-15	1/10W 10 ohm	R457	119-2241-15	1/10W 220k ohm
J602	074-1237-69	19P	R219	119-4731-15	1/10W 47k ohm	R458	119-1021-15	1/10W 1k ohm
L113	010-2003-04	30uH	R220	119-1241-15	1/10W 120k ohm	R459	119-2231-15	1/10W 22k ohm
L200	010-3105-62	1k ohm/100MHz	R222	119-4731-15	1/10W 47k ohm	R460	119-1041-15	1/10W 100k ohm
L201	010-3105-62	1k ohm/100MHz	R223	119-2201-15	1/10W 22 ohm	R461	119-1031-15	1/10W 10k ohm
L202	010-3105-62	1k ohm/100MHz	R224	119-1011-15	1/10W 100 ohm	R463	119-1041-15	1/10W 100k ohm
L203	010-3105-62	1k ohm/100MHz	R225	119-1011-15	1/10W 100 ohm	R464	119-1041-15	1/10W 100k ohm
L204	010-3105-62	1k ohm/100MHz	R227	119-8221-15	1/10W 8.2k ohm	R465	119-1041-15	1/10W 100k ohm
L205	010-3105-62	1k ohm/100MHz	R228	119-1041-15	1/10W 100k ohm	R466	119-5621-15	1/10W 5.6k ohm
L206	010-3105-62	1k ohm/100MHz	R229	119-1041-15	1/10W 100k ohm	R467	119-1831-15	1/10W 18k ohm
L207	010-3105-62	1k ohm/100MHz	R230	032-0140-99	1/10W 39k ohm F	R468	119-1041-15	1/10W 100k ohm
L208	010-3105-62	1k ohm/100MHz	R231	032-0140-99	1/10W 39k ohm F	R469	119-1041-15	1/10W 100k ohm
L209	010-3105-62	1k ohm/100MHz	R232	032-0140-99	1/10W 39k ohm F	R470	119-1041-15	1/10W 100k ohm
L210	010-3105-62	1k ohm/100MHz	R233	032-0140-99	1/10W 39k ohm F	R471	119-1011-15	1/10W 100 ohm
L211	010-2198-51	0.22uH	R236	032-0140-95	1/10W 20k ohm F	R472	119-1231-15	1/10W 12k ohm
L212	010-3105-62	1k ohm/100MHz	R237	032-0140-95	1/10W 20k ohm F	R473	119-4721-15	1/10W 4.7k ohm
L213	010-3105-62	1k ohm/100MHz	R238	032-0140-95	1/10W 20k ohm F	R475	116-2011-15	1/4W 200 ohm
			R239	032-0140-95	1/10W 20k ohm F	R476	116-2011-15	1/4W 200 ohm

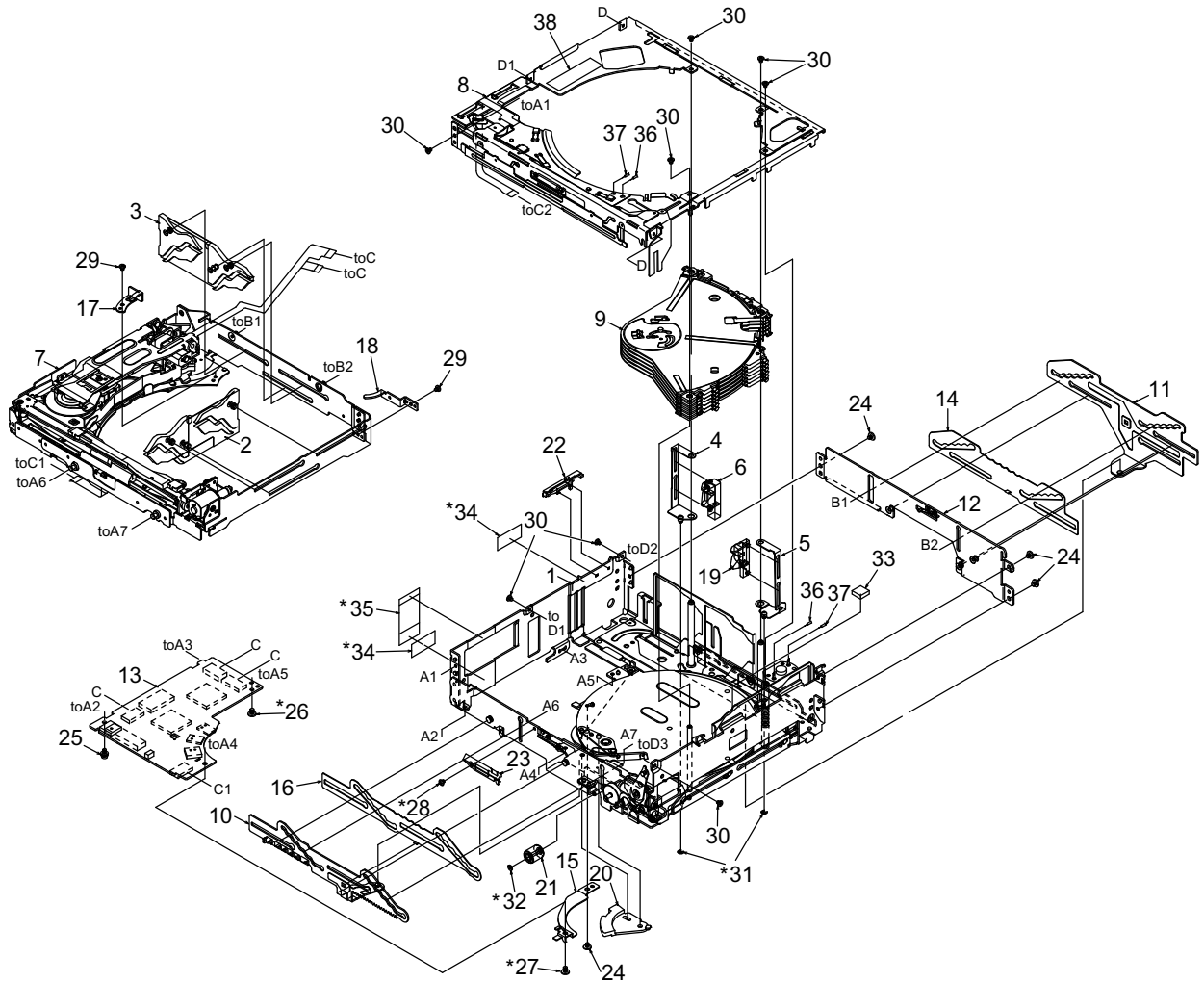
REF No.	PART No.	DESCRIPTION	REF No.	PART No.	DESCRIPTION	REF No.	PART No.	DESCRIPTION
R477	116-2011-15	1/4W 200 ohm	R545	119-1021-15	1/10W 1k ohm	R628	119-1041-15	1/10W 100k ohm
R501	119-4731-15	1/10W 47k ohm	R546	119-2231-15	1/10W 22k ohm	R629	119-3331-15	1/10W 33k ohm
R502	119-4731-15	1/10W 47k ohm	R548	119-2231-15	1/10W 22k ohm	R630	119-3331-15	1/10W 33k ohm
R503	119-8221-15	1/10W 8.2k ohm	R549	119-4731-15	1/10W 47k ohm	R632	119-3331-15	1/10W 33k ohm
R505	119-6821-15	1/10W 6.8k ohm	R550	119-4731-15	1/10W 47k ohm	R633	119-3331-15	1/10W 33k ohm
R507	119-1021-15	1/10W 1k ohm	R551	119-1031-15	1/10W 10k ohm	R634	119-3331-15	1/10W 33k ohm
R508	119-6821-15	1/10W 6.8k ohm	R552	119-2231-15	1/10W 22k ohm	R635	119-3321-15	1/10W 3.3k ohm
R509	119-1021-15	1/10W 1k ohm	R553	117-4711-15	1/8W 470 ohm	R636	119-3321-15	1/10W 3.3k ohm
R510	119-6821-15	1/10W 6.8k ohm	R554	119-2231-15	1/10W 22k ohm	R637	119-3321-15	1/10W 3.3k ohm
R511	119-6821-15	1/10W 6.8k ohm	R555	117-4711-15	1/8W 470 ohm	R639	119-1241-15	1/10W 120k ohm
R512	119-8221-15	1/10W 8.2k ohm	R556	119-3331-15	1/10W 33k ohm	R642	119-1041-15	1/10W 100k ohm
R513	119-4721-15	1/10W 4.7k ohm	R557	119-4731-15	1/10W 47k ohm	R643	119-1031-15	1/10W 10k ohm
R514	119-2231-15	1/10W 22k ohm	R558	119-2231-15	1/10W 22k ohm	R644	119-1241-15	1/10W 120k ohm
R515	119-8221-15	1/10W 8.2k ohm	R559	119-4731-15	1/10W 47k ohm	R646	119-1011-15	1/10W 100 ohm
R516	119-8221-15	1/10W 8.2k ohm	R560	119-1021-15	1/10W 1k ohm	R647	119-1011-15	1/10W 100 ohm
R517	119-3331-15	1/10W 33k ohm	R561	119-2031-15	1/10W 20k ohm	R648	119-3331-15	1/10W 33k ohm
R518	119-3331-15	1/10W 33k ohm	R562	119-2231-15	1/10W 22k ohm	R649	119-3331-15	1/10W 33k ohm
R519	119-3331-15	1/10W 33k ohm	R564	117-4711-15	1/8W 470 ohm	R650	119-3331-15	1/10W 33k ohm
R520	119-3331-15	1/10W 33k ohm	R565	119-1041-15	1/10W 100k ohm	R652	119-3331-15	1/10W 33k ohm
R521	119-1021-15	1/10W 1k ohm	R566	119-6821-15	1/10W 6.8k ohm	R653	119-3331-15	1/10W 33k ohm
R522	119-6821-15	1/10W 6.8k ohm	R567	119-6821-15	1/10W 6.8k ohm	R654	119-3331-15	1/10W 33k ohm
R523	119-1021-15	1/10W 1k ohm	R568	119-1041-15	1/10W 100k ohm	R656	119-1031-15	1/10W 10k ohm
R524	119-6821-15	1/10W 6.8k ohm	R569	119-6821-15	1/10W 6.8k ohm	R657	119-1031-15	1/10W 10k ohm
R525	119-6821-15	1/10W 6.8k ohm	R570	119-6821-15	1/10W 6.8k ohm	R658	119-1041-15	1/10W 100k ohm
R526	119-6821-15	1/10W 6.8k ohm	R571	119-1011-15	1/10W 100 ohm	R660	032-0148-52	1/10W 24k ohm D
R527	119-4731-15	1/10W 47k ohm	R572	119-1011-15	1/10W 100 ohm	R661	032-0148-52	1/10W 24k ohm D
R528	119-4731-15	1/10W 47k ohm	R600	119-0000-05	1/10W 0 ohm JW	SUP101	060-0122-91	DSP-141N-S00B
R529	119-1031-15	1/10W 10k ohm	R603	119-1011-15	1/10W 100 ohm	TC601	004-1589-52	TZB4R200AA10R00
R530	119-1021-15	1/10W 1k ohm	R608	119-3331-15	1/10W 33k ohm	TM101	073-0762-90	TERMINAL
R532	119-1031-15	1/10W 10k ohm	R609	119-1011-15	1/10W 100 ohm	TM102	073-0768-90	TERMINAL
R533	119-1031-15	1/10W 10k ohm	R611	119-4731-15	1/10W 47k ohm	TM301	073-0762-90	TERMINAL
R534	119-1031-15	1/10W 10k ohm	R615	119-3331-15	1/10W 33k ohm	TM501	073-0768-90	TERMINAL
R537	119-1031-15	1/10W 10k ohm	R621	119-1021-15	1/10W 1k ohm	X201	061-3537-90	41.6MHz
R539	119-1031-15	1/10W 10k ohm	R622	119-1011-15	1/10W 100 ohm	X601	061-3561-90	AT-41CD2 3.997696MHz
R540	119-1001-15	1/10W 10 ohm	R623	119-1031-15	1/10W 10k ohm	PWB	039-3234-00	PWB(WITHOUT COMPONENT)
R541	119-1031-15	1/10W 10k ohm	R624	119-1011-15	1/10W 100 ohm			
R542	119-1001-15	1/10W 10 ohm	R625	119-1031-15	1/10W 10k ohm			
R543	117-4711-15	1/8W 470 ohm	R626	119-0000-05	1/10W 0 ohm JW			
R544	119-2031-15	1/10W 20k ohm	R627	119-3331-15	1/10W 33k ohm			

CIRCUIT DIAGRAM
Main PWB(B1)section 1/5



EXPLODED VIEW/PARTS LIST

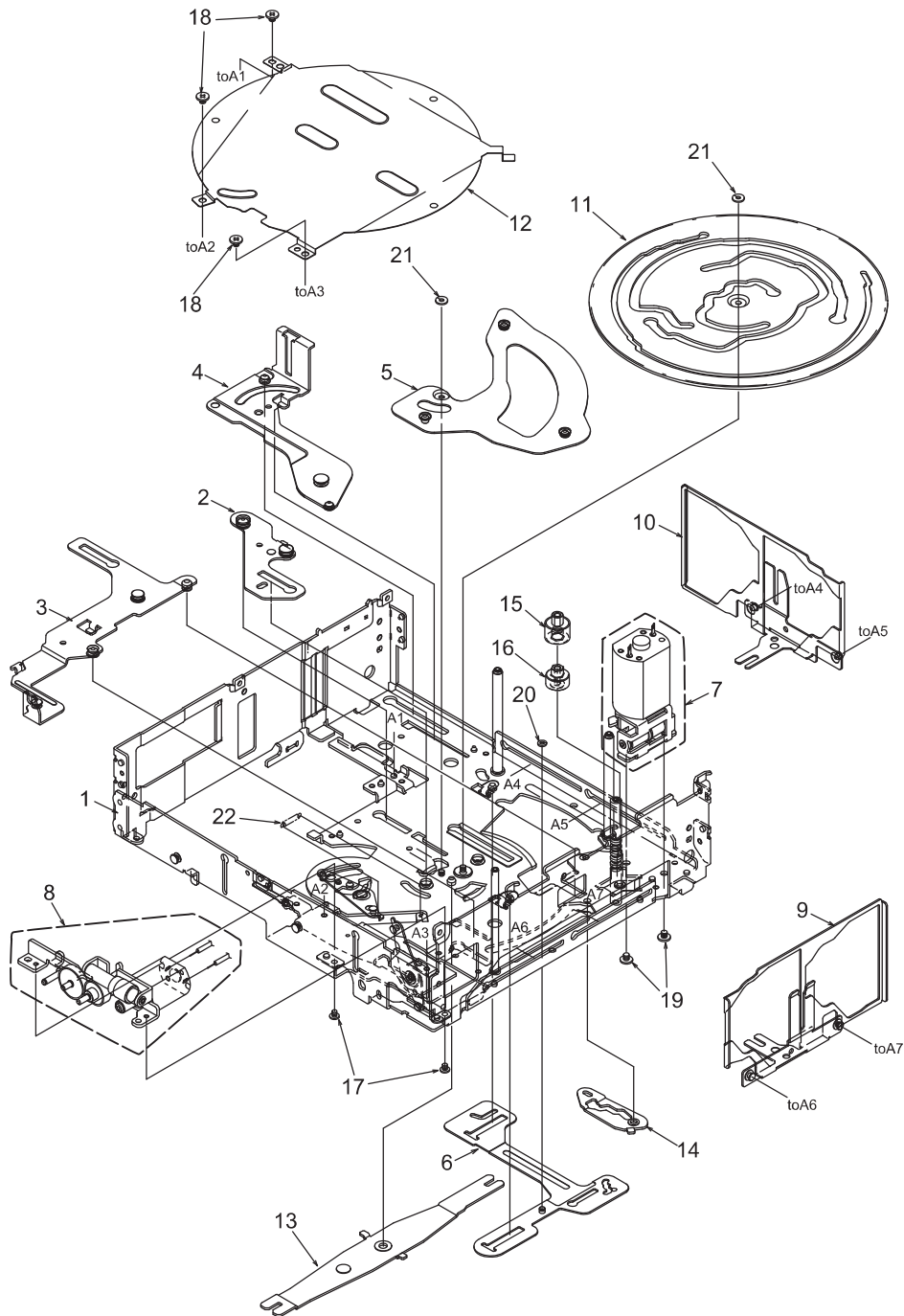
Main section



* Do not reuse the following parts.
(No.26,27,28,31,32,34,35)

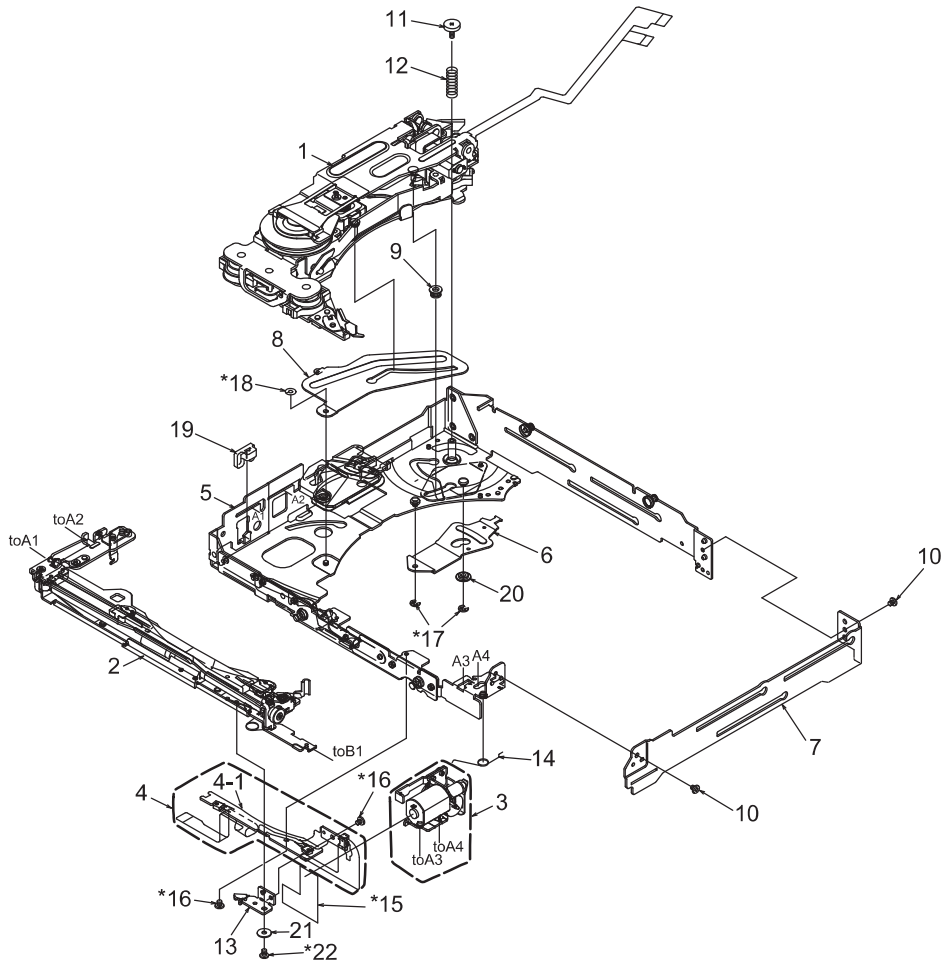
NO.	PART NO.	DESCRIPTION	Q'TY	NO.	PART NO.	DESCRIPTION	Q'TY
1	-----	LOWER UNIT ASSY	1	20	621-1812-20	SW LINK	1
2	HBS-617-100	KUSABI-ASSY-S	1	21	621-1765-20	UD-GEAR-D	1
3	HBS-618-100	KUSABI-ASSY-R	1	22	621-1715-20	FPC-STOPPER	1
4	966-1846-20	DS-SP-ASSY L	1	23	621-1736-20	UD-GEAR-B	1
5	966-1847-21	DS-SP ASSY R	1	24	716-1850-01	SCREW(M2.0x2)	4
6	966-0667-21	DISC STP-ASSY L	1	25	716-3598-00	SCREW(M2.0x4)	1
7	966-1844-21	DRIVE-CH UNIT	1	26	716-3599-00	SCREW(M2.0x2 sealock)	1
8	966-1840-21	UPPER UNIT ASSY	1	27	716-3600-00	SCREW(M2.0x3 sealock)	1
9	HBS-550-100	DISCHOLDER UNIT	1	28	716-3601-00	SCREW(M1.7x2 sealock)	1
10	966-1771-21	SLIDE-P-ASSY	1	29	716-3450-00	SCREW(M1.7x2.0)	2
11	966-1814-21	SLIDE-P-ASSY-R	1	30	716-3451-01	SCREW(M1.7x2.5)	8
12	966-1874-20	REAR-P-ASSY R	1	31	744-0045-01	C-RING	2
13	HBS-621-100	CD PWB ASSY	1	32	746-0761-00	WASHER	1
14	620-1662-21	GAP PLATE R	1	33	345-5824-00	RUBBER PART	1
15	620-1640-20	SW-H-PLATE	1	34	347-8230-00	PROTECT SHEET	2
16	620-1778-20	GAP PLATE F	1	35	347-8219-00	FPC-SHEET N	1
17	620-1685-21	DS-PLATE L	1	36	800-4921-60	VINYL-COAT-WIRE(BLAK)	1
18	620-1686-20	DS-PLATE R	1	37	802-4921-60	VINYL-COAT-WIRE(RED)	1
19	621-1815-20	DISC STOPPER R	1	38	293-8575-00	MECH LABEL	1

Lower unit assy section



NO.	PART NO.	DESCRIPTION	Q'TY	NO.	PART NO.	DESCRIPTION	Q'TY
1	966-1834-24	LOWER-C-ASSY	1	12	620-1624-24	GEAR COVER	1
2	966-0658-22	DH-SP-ASSY	1	13	620-1848-21	UD LINK	1
3	966-1836-20	TATSU-P-ASSY	1	14	620-1847-91	DS-SHIFT LINK	1
4	966-1832-20	D-SHT PL-B-ASSY	1	15	621-1811-21	M-GEAR B	1
5	966-0659-22	DH-SP-ASSY B	1	16	621-0733-20	M-GEAR C	1
6	966-1835-92	DS-SP-ASSY	1	17	716-3451-01	SCREW(M1.7x2.5)	2
7	HBS-622-100	M-MTR SUB ASSY	1	18	716-1850-01	SCREW(M2.0x2.0)	3
8	HBS-616-100	UD-MOTOR-ASSY	1	19	716-1851-03	SCREW(M2.0x3.0)	2
9	966-1872-20	INITIAL ASSY S	1	20	746-0870-00	WASHER	1
10	966-1873-20	INITIAL ASSY R	1	21	746-0768-00	WASHER	2
11	620-1623-24	CAM GEAR	1	22	750-6756-21	SW-L-SPRING	1

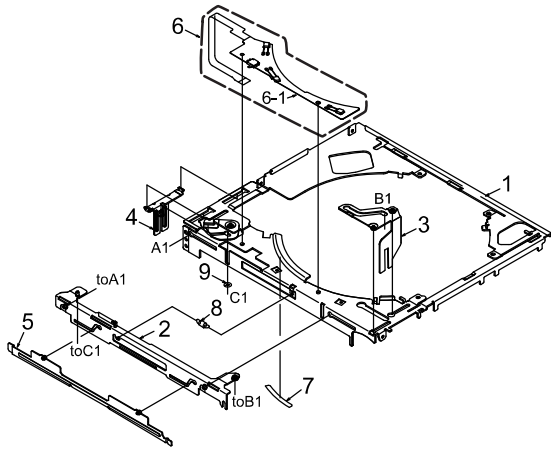
Drive-CH unit section



* Do not reuse the following parts.
(No.15,16,17,18,22)

NO.	PART NO.	DESCRIPTION	Q'TY	NO.	PART NO.	DESCRIPTION	Q'TY
1	HBS-620-100	DRIVE UNIT	1	12	750-6852-20	DRIVE SPRING A	1
2	HBS-612-100	LOADING-U-ASSY	1	13	620-1831-21	S-PWB PLATE	1
3	HBS-615-100	LO-MOTOR-S-ASSY	1	14	750-6754-20	LO-ES-SPRING B	1
4	HBS-614-100	L-SEN-FPC-ASSY	1	15	345-5424-01	SEN-FPC GUIDE	1
4-1	-----	SENSOR-L-FPC	1	16	716-3601-00	SCREW(M1.7x2 sealock)	2
5	966-1828-22	DRIVE-CH A-ASSY	1	17	743-1500-1B	E-RING	2
6	620-1838-21	D-SHIFT LINK A	1	18	746-0870-00	WASHER	1
7	620-1837-20	DRIVE CHASSIS B	1	19	621-1807-00	RUBBER PART	1
8	620-1836-20	DR-SUPPORT-PL	1	20	622-1850-20	D-SHIFT ROLLERE	1
9	622-1743-21	D-SHIFT ROLLERB	1	21	347-8392-00	FPC WASHER	1
10	716-3450-00	SCREW(M1.7x2)	2	22	716-3451-02	SCREW(M1.7x2.5 sealock)	1
11	716-3603-00	SCREW(M1.7x5)	1				

Upper unit assy section



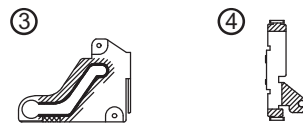
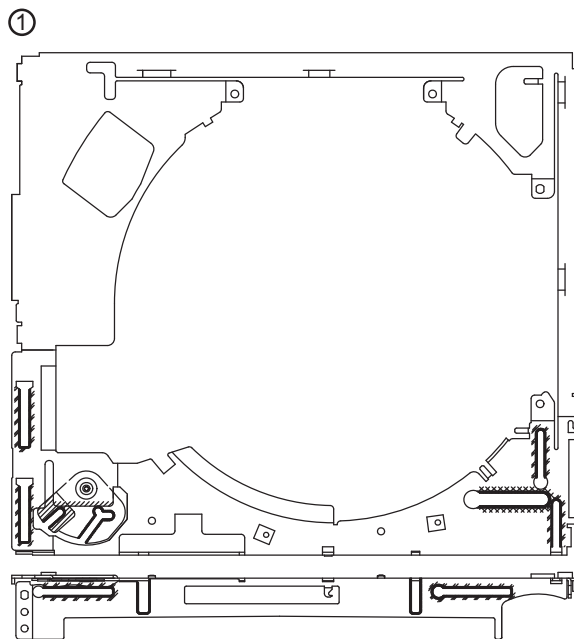
* Do not reuse the following parts.
(No.6,7,9)

NO.	PART NO.	DESCRIPTION	Q'TY
1	966-1823-20	UPPER-CHA-ASSY	1
2	966-1824-20	LO-SHIFT A ASSY	1
3	966-1791-20	LO-SHIFT B ASSY	1
4	966-1825-20	LO-SHIFT C ASSY	1
5	966-1826-20	SHUTTER ASSY	1
6	HBS-613-100	U-SEN-FPC-ASSY	1
6-1	-----	SENSOR-U-FPC	1
7	347-8216-00	RATTLE SHEET	1
8	750-6850-20	SHUTTER SPRING	1
9	746-0870-00	WASHER	1

[Grease Point]

* Grease : SANKOL FG-87HSR

	Put grease on the surface	
	Put grease on the reverse side	
	Put grease on the both sides	
	Put grease on the edge	



ELECTRICAL PARTS LIST

CD PWB(BM1) section

* The parts of the same reference number are alternative

REF No.	PART No.	DESCRIPTION	REF No.	PART No.	DESCRIPTION	REF No.	PART No.	DESCRIPTION
C1	168-1052-78	16V 1uF	C72	168-1042-78	16V 0.1uF	R19	119-1041-15	1/10W 100k ohm
C3	168-1042-78	16V 0.1uF	C74	166-6097-50	6pF CH	R20	119-1041-15	1/10W 100k ohm
C4	043-0559-90	6.3V 22uF	C75	168-1042-78	16V 0.1uF	R21	119-2221-15	1/10W 2.2k ohm
C5	168-1032-55	0.01uF K	C76	168-5622-55	5600pF K	R22	119-4711-15	1/10W 470 ohm
C6	042-1702-90	6.3V 100uF	C77	168-1032-55	0.01uF K	R23	119-1051-15	1/10W 1M ohm
C7	168-1052-78	16V 1uF	C101	043-0563-90	16V 47uF	R24	119-2211-15	1/10W 220 ohm
C9	168-1052-78	16V 1uF	CCT1	050-0145-59	1/16W 22 ohm x4	R25	119-2211-15	1/10W 220 ohm
C11	168-1052-78	16V 1uF	CCT2	050-0145-54	1/16W 47k ohm x4	R26	119-1041-15	1/10W 100k ohm
C12	042-0671-01	10V 47uF TA	CCT3	050-0145-54	1/16W 47k ohm x4	R27	119-1051-15	1/10W 1M ohm
C13	168-1052-78	16V 1uF	CCT4	050-0145-55	1/16W 10k ohm x4	R28	119-1041-15	1/10W 100k ohm
C14	168-1042-78	16V 0.1uF	CCT5	050-0140-55	1/32W 2.2k ohmx4J	R29	119-1041-15	1/10W 100k ohm
C15	168-1052-78	16V 1uF	D1	001-4301-14	HZU 3.0B1	R30	119-4701-15	1/10W 47 ohm
C16	043-0559-90	6.3V 22uF	D1	001-0529-14	MA8030-L	R31	119-2201-15	1/10W 22 ohm
C17	168-1032-55	0.01uF K	D2	001-0367-91	1SS226	R32	119-1051-15	1/10W 1M ohm
C18	168-1052-78	16V 1uF	D3	001-4301-13	HZU 2.7B2	R33	119-2211-15	1/10W 220 ohm
C19	043-0559-90	6.3V 22uF	D3	001-0529-13	MA8029-H	R35	119-1051-15	1/10W 1M ohm
C20	168-1042-78	16V 0.1uF	D4	001-4301-18	HZU 3.6B1	R36	119-4721-15	1/10W 4.7k ohm
C21	168-1032-55	0.01uF K	D4	001-0529-18	MA8036-L	R37	119-4731-15	1/10W 47k ohm
C22	168-1052-78	16V 1uF	IC2	052-5077-02	TMP91CY22IFG-7AA1	R38	119-2231-15	1/10W 22k ohm
C25	168-4732-78	0.047uF K	IC3	051-6733-00	TC94A73MFG-201	R39	119-1041-15	1/10W 100k ohm
C26	166-4711-50	470pF CH	IC4	051-6060-08	BD7961FM-E2	R40	119-4721-15	1/10W 4.7k ohm
C27	168-1052-78	16V 1uF	IC8	051-9402-78	BR93L56RFVM-W	R41	119-4731-15	1/10W 47k ohm
C28	168-4732-78	0.047uF K	IC9	051-6072-08	BD7931FE2	R43	119-4731-15	1/10W 47k ohm
C29	166-4711-50	470pF CH	IC10	051-5833-00	GP1S093HCZ	R44	119-2201-15	1/10W 22 ohm
C30	166-1007-50	10pF CH	IC11	051-3392-90	S-1323B15NB-N8ATFG	R45	119-1511-15	1/10W 150 ohm
C31	166-1007-50	10pF CH	J1	074-1237-69	SOCKET 19P	R46	119-4721-15	1/10W 4.7k ohm
C32	168-1042-78	16V 0.1uF	J2	074-1201-65	SOCKET 15P	R48	119-1041-15	1/10W 100k ohm
C33	168-2222-55	2200pF K	J3	074-1138-56	SOCKET 6P	R49	119-2211-15	1/10W 220 ohm
C34	168-1042-78	16V 0.1uF	J4	074-1100-61	SOCKET 11P	R50	119-2211-15	1/10W 220 ohm
C35	168-1042-78	16V 0.1uF	J5	074-1201-61	SOCKET 11P	R51	119-0000-05	1/10W 0 ohm JW
C36	168-1042-78	16V 0.1uF	Q1	060-0252-01	PT4850F	R53	119-5621-15	1/10W 5.6k ohm
C37	168-6822-55	6800pF K	Q2	125-0021-91	DTA114EUA	R55	119-3341-15	1/10W 330k ohm
C39	168-1042-78	16V 0.1uF	Q3	198-3018-00	2SK3018	R56	119-4731-15	1/10W 47k ohm
C40	168-3332-78	0.033uF K	Q4	190-2060-00	2SA2060	R57	119-2231-15	1/10W 22k ohm
C41	168-1042-78	16V 0.1uF	Q8	190-2060-00	2SA2060	R58	119-2211-15	1/10W 220 ohm
C42	168-1042-78	16V 0.1uF	Q9	125-9026-90	IMF29	R59	119-1511-15	1/10W 150 ohm
C43	168-1042-78	16V 0.1uF	Q10	125-2027-91	DTC114EUA	R60	119-4731-15	1/10W 47k ohm
C45	168-1042-78	16V 0.1uF	Q11	125-0021-91	DTA114EUA	R61	119-1041-15	1/10W 100k ohm
C46	168-1042-78	16V 0.1uF	Q12	125-2027-91	DTC114EUA	R62	119-1041-15	1/10W 100k ohm
C48	168-1042-78	16V 0.1uF	Q13	125-9026-90	IMF29	R63	119-1041-15	1/10W 100k ohm
C49	168-1042-78	16V 0.1uF	R1	119-6811-15	1/10W 680 ohm	R64	119-1011-15	1/10W 100 ohm
C50	168-1042-78	16V 0.1uF	R2	119-6811-15	1/10W 680 ohm	R65	119-1041-15	1/10W 100k ohm
C51	168-1042-78	16V 0.1uF	R3	032-0163-91	1/2W 10 ohm	R66	117-5611-15	1/8W 560 ohm
C52	168-5622-55	5600pF K	R4	032-0163-91	1/2W 10 ohm	R67	116-3311-15	1/4W 330 ohm
C53	168-1042-78	16V 0.1uF	R5	119-2231-15	1/10W 22k ohm	R68	116-3311-15	1/4W 330 ohm
C54	166-6801-50	68pF CH	R6	116-1001-15	1/4W 10 ohm	R81	116-1591-15	1/4W 1.5 ohm
C55	168-1532-55	0.015uF K	R7	119-1021-15	1/10W 1k ohm	R101	119-0000-05	1/10W 0 ohm JW
C56	168-1042-78	16V 0.1uF	R8	116-1591-15	1/4W 1.5 ohm	R102	119-0000-05	1/10W 0 ohm JW
C57	168-1032-55	0.01uF K	R9	119-2231-15	1/10W 2.2k ohm	R103	119-0000-05	1/10W 0 ohm JW
C58	168-1042-78	16V 0.1uF	R10	119-4711-15	1/10W 470 ohm	R211	119-1041-15	1/10W 100k ohm
C59	168-1042-78	16V 0.1uF	R11	119-2211-15	1/10W 220 ohm	R212	119-1041-15	1/10W 100k ohm
C60	168-1522-55	1500pF K	R12	119-6811-15	1/10W 680 ohm	S1	013-7416-50	SW SPVL110200
C61	168-3322-55	3300pF K	R13	119-1011-15	1/10W 100 ohm	S2	013-7416-50	SW SPVL110200
C62	168-1032-55	0.01uF K	R14	119-2231-15	1/10W 22k ohm	S3	013-7412-50	SPVG21
C64	168-1042-78	16V 0.1uF	R15	119-8231-15	1/10W 82k ohm	S4	013-7415-50	SPVG110400
C67	168-1032-55	0.01uF K	R16	119-1041-15	1/10W 100k ohm	X1	061-3534-90	16.92MHz
C69	168-1532-55	0.015uF K	R17	119-1041-15	1/10W 100k ohm	X3	060-1545-90	20MHz
C70	166-4701-50	47pF CH	R18	119-1041-15	1/10W 100k ohm	PWB	039-3058-20	PWB(WITHOUT COMPONENT)
C71	168-1042-78	16V 0.1uF						

Sensor-L-PFC(BM2) section

REF No.	PART No.	DESCRIPTION	REF No.	PART No.	DESCRIPTION
PT1	060-0252-01	PT14850F	PWB	039-3003-20	PWB(WITHOUT COMPONENTS)
PT2	060-0252-01	PT14850F			
PT3	051-5833-00	GP1S093HCZ			

Sensor-U-PFC(BM3) section

REF No.	PART No.	DESCRIPTION	REF No.	PART No.	DESCRIPTION	REF No.	PART No.	DESCRIPTION
LED1	001-7077-00	GL4804	LED3	001-7042-00	GL4800	PWB	039-3004-20	PWB(WITHOUT COMPONENTS)
LED2	001-7042-00	GL4800	S5	013-7417-50	ABC1122P161			