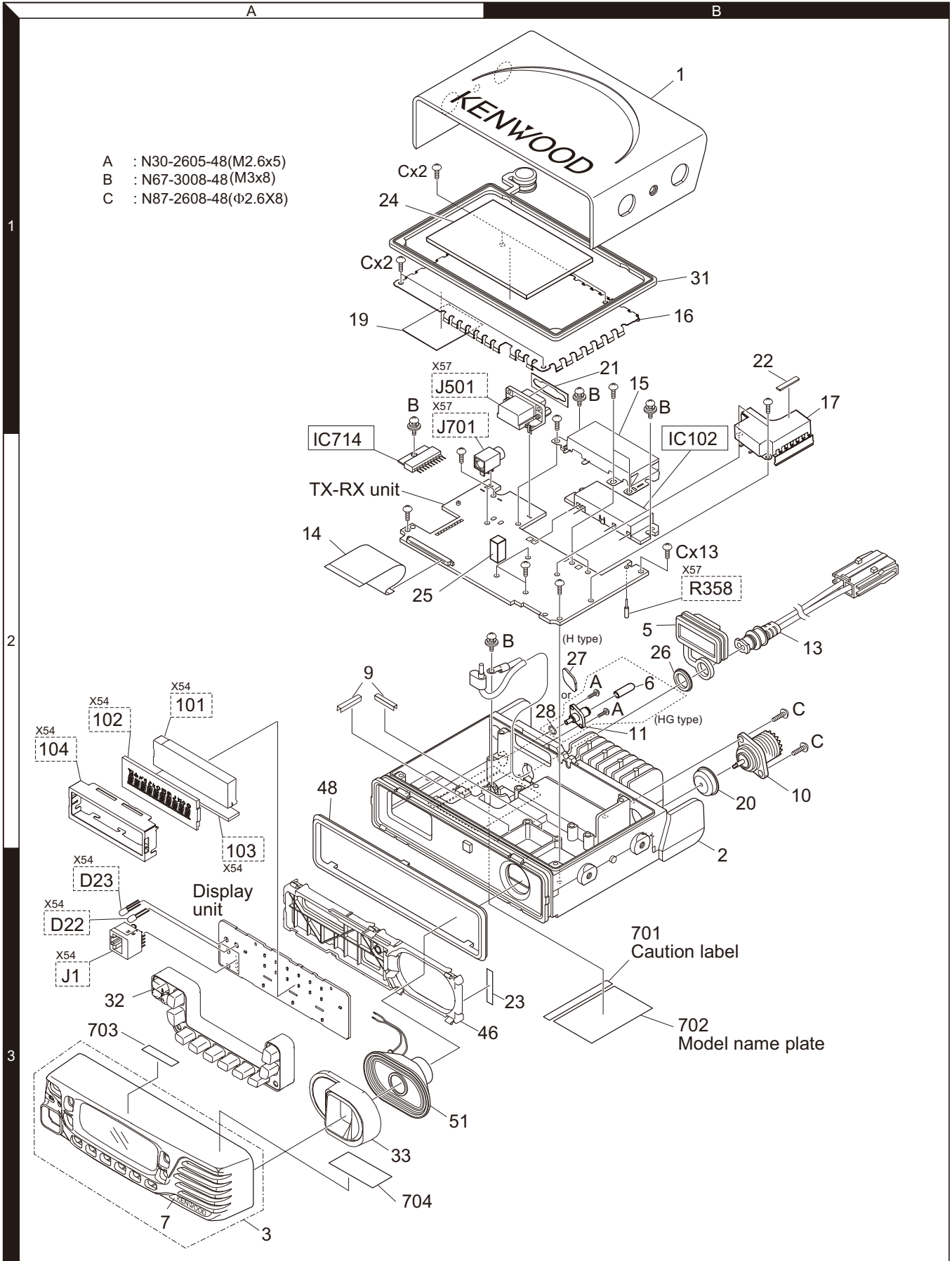


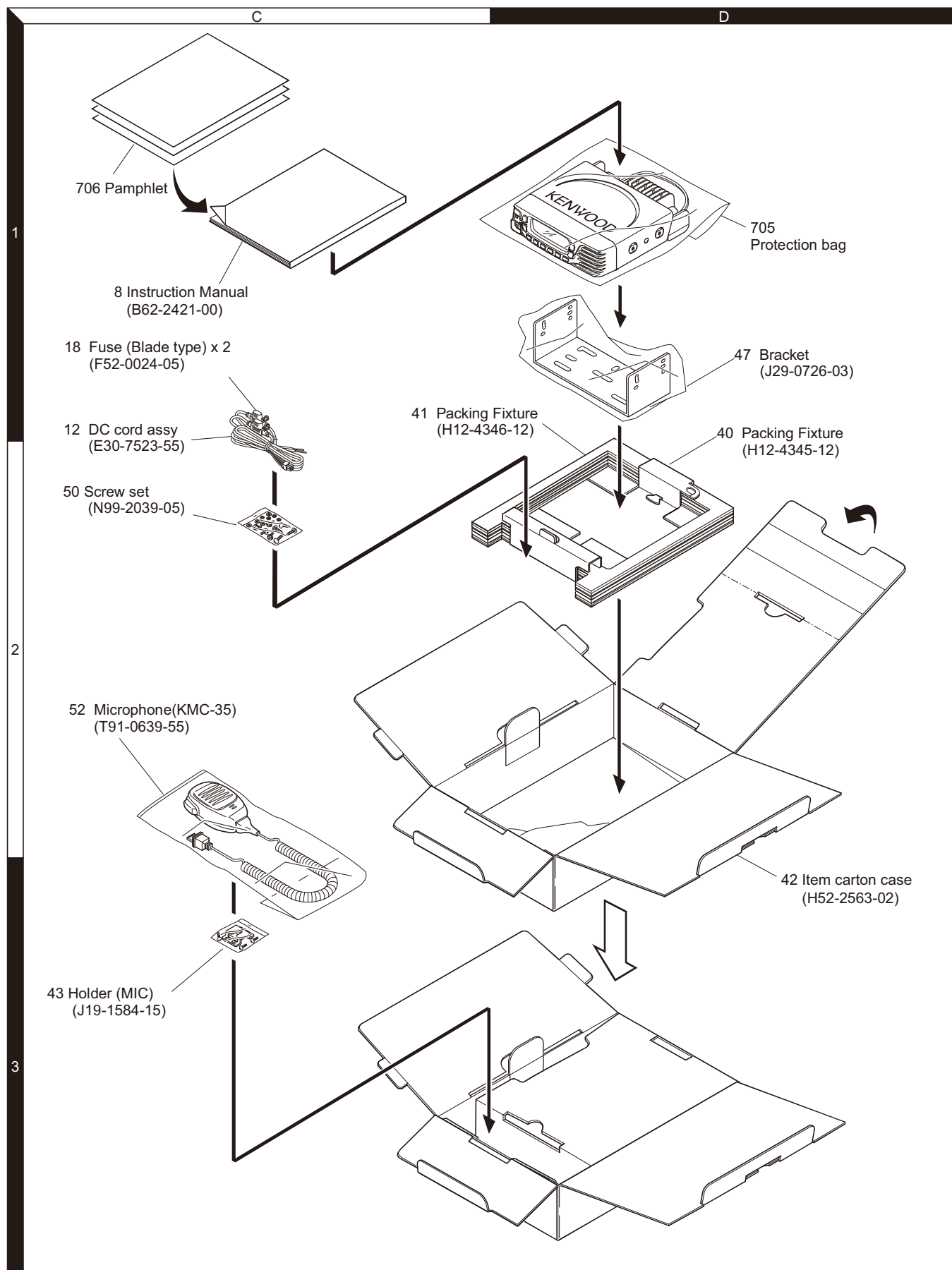
NX-720H(G)/720H

EXPLODED VIEW



NX-720H(G)/720H

PACKING



Parts with the exploded numbers larger than 700 are not supplied.

NX-720H(G)/720H

PARTS LIST

* New Parts. Δ indicates safety critical components.

Parts without **Parts No.** are not supplied.

Les articles non mentionnés dans le **Parts No.** ne sont pas fournis.

Teile ohne Parts No. werden nicht geliefert.

L : Scandinavia

Y : PX (Far East, Hawaii)

C : China

K : USA

T : England

X : Australia

P : Canada

E : Europe

M : Other Areas

NX-720H(G) / 720H
DISPLAY UNIT (X54-3830-10)

Ref. No.	Address	New parts	Parts No.	Description	Destination	Ref. No.	Address	New parts	Parts No.	Description	Destination
NX-720H(G)/720H						DISPLAY UNIT (X54-3830-10)					
1	1B		A02-4073-21	PLASTIC CABINET		101	2A		B11-1885-03	ILLUMINATION GUIDE	
2	2B	*	A10-4161-01	CHASSIS		102	2A		B38-0936-05	LCD	
3	3A	*	A62-1200-03	PANEL ASSY		D5 -9			B30-2337-05	LED(YELLOW)	
5	2B		B09-0732-03	CAP(D-SUB)		D11 -21			B30-2337-05	LED(YELLOW)	
6	2B		B09-0754-05	CAP(SMA)	HG	D22	3A		B30-2321-05	LED(BLUE)	
7	3A		B43-1675-04	BADGE		D23	3A		B30-2151-05	LED(RED/GREEN)	
8	1C	*	B62-2421-00	INSTRUCTION MANUAL(E/S/F)		D24			B30-2337-05	LED(YELLOW)	
9	3B	*	E29-1244-04	RELAY HARDWARE		C1			CC73HCH1H101J	CHIP C 100PF	J
10	2B		E04-0167-15	RF COAXIAL RECEPTACLE(M)		C2 ,3			CC73HCH1H221J	CHIP C 220PF	J
11	2B		E04-0492-05	RF COAXIAL RECEPTACLE(SMA)	HG	C4			CC73HCH1H101J	CHIP C 100PF	J
12	1C		E30-7523-55	DC CORD ASSY ACCESSORY		C5			CC73HCH1H221J	CHIP C 220PF	J
13	1C		E30-7684-15	DC CORD		C6			CK73HB1H471K	CHIP C 470PF	K
14	2A		E37-1461-05	FLAT CABLE(30P)		C7			CK73HB1H102K	CHIP C 1000PF	K
15	2B	*	F10-3183-03	SHIELDING CASE(POWER MODULE)		C10			CK73HB1H102K	CHIP C 1000PF	K
16	1B	*	F10-3184-03	SHIELDING COVER(TOP)		C11			CC73HCH1H221J	CHIP C 220PF	J
17	1B	*	F10-3203-02	SHIELDING CASE(LPF)		C12			CC73HCH1H101J	CHIP C 100PF	J
18	1C		F52-0024-05	FUSE(15A/BLADE) ACCESSORY		C13			CK73HB1E103K	CHIP C 0.010UF	K
19	1A		G11-4353-04	SHEET(SHIELDING/BOTTOM)		C14 ,15			CK73HB1H102K	CHIP C 1000PF	K
20	2B		G11-4578-04	SHEET(FOR W/O SMA)	H	C21			CK73HB1E103K	CHIP C 0.010UF	K
21	1B		G11-4611-04	SHEET(D-SUB)		C23			CK73HB1H102K	CHIP C 1000PF	K
22	1B		G13-2102-04	CONDUCTIVE CUSHION		C24 ,25			CK73HB1E103K	CHIP C 0.010UF	K
23	3B		G13-2363-04	CUSHION(PANELHOLDER)		C27			CK73HB1A105K	CHIP C 1.0UF	K
24	1B		G13-2389-04	CUSHION(SHIELDING/TOP)		C31			CK73HB1H102K	CHIP C 1000PF	K
25	2B		G13-2395-04	CUSHION(X57)		C32 ,33			CK73HB1C473K	CHIP C 0.047UF	K
26	2B		G53-1643-04	PACKING(DC CORD)		C34			CC73HCH1H470J	CHIP C 47PF	J
27	2B		G53-1662-04	PACKING(M/ANT)		C35 ,36			CC73HCH1H221J	CHIP C 220PF	J
28	2B		G53-1768-04	PACKING(SMA)	HG	103	3A		E29-1231-15	INTER CONNECTOR	
31	1B		G53-1819-21	PACKING(CHASSIS)		CN1			E40-6924-05	FLAT CABLE CONNECTOR(30P)	
32	3A		G53-1820-03	PACKING(PANEL)		J1	3A		E58-0535-05	MODULAR JACK(MIC)	
33	3A		G53-1858-03	PACKING(SP)		104	2A		J21-8629-03	MOUNTING HARDWARE(LCD)	
40	2D	*	H12-4345-12	PACKING FIXTURE		L1			L92-0138-05	CHIP FERRITE	
41	2D	*	H12-4346-12	PACKING FIXTURE		L2 ,3			L92-0140-05	CHIP FERRITE	
42	2D	*	H52-2563-02	ITEM CARTON CASE		CP1			RK74HB1J101J	CHIP-COM 100 J 1/16W	
43	3C		J19-1584-15	HOLDER(MIC) ACCESSORY		R1			RK73HB1J101J	CHIP R 100 J 1/16W	
46	3A		J19-5542-02	HOLDER(PANEL)		R2 -4			RK73HB1J103J	CHIP R 10K J 1/16W	
47	1D		J29-0726-03	BRACKET ACCESSORY		R5			RK73HB1J102J	CHIP R 1.0K J 1/16W	
48	3A		K29-9479-01	KEY TOP		R7			RK73HB1J000J	CHIP R 0 J 1/16W	
A	2B		N30-2605-48	PAN HEAD MACHINE SCREW(SMA)	HG	R9			RK73HB1J000J	CHIP R 0 J 1/16W	
B	2A,2B		N67-3008-48	PAN HEAD SEMS SCREW		R12			RK73HB1J101J	CHIP R 100 J 1/16W	
C	2A,2B		N87-2608-48	BRAZIER HEAD TAPTITE SCREW		R14			RK73HB1J122J	CHIP R 1.2K J 1/16W	
50	2C		N99-2039-05	SCREW SET ACCESSORY		R15			RK73HB1J000J	CHIP R 0 J 1/16W	
51	3A		T07-0785-15	SPEAKER		R17			RK73HB1J000J	CHIP R 0 J 1/16W	
52	2C		T91-0639-55	MICROPHONE(KMC-35)ACCESSORY		R18			RK73GB2A331J	CHIP R 330 J 1/10W	
			X57-8230-12	TX-RX UNIT(FOR SERVICE)	HG	R19			RK73GB2A221J	CHIP R 220 J 1/10W	
			X57-8230-13	TX-RX UNIT(FOR SERVICE)	H	R20			RK73HB1J000J	CHIP R 0 J 1/16W	
						R22			RK73HB1J000J	CHIP R 0 J 1/16W	
						R23			RK73HB1J473J	CHIP R 47K J 1/16W	
						R24 ,25			RK73HB1J332J	CHIP R 3.3K J 1/16W	
						R26			RK73HB1J472J	CHIP R 4.7K J 1/16W	
						R28			RK73FB2B121J	CHIP R 120 J 1/8W	
						R29			RK73FB2B221J	CHIP R 220 J 1/8W	
						R34 -37			RK73GB2A271J	CHIP R 270 J 1/10W	
						R38 -40			RK73HB1J472J	CHIP R 4.7K J 1/16W	

NX-720H(G)/720H

PARTS LIST

DISPLAY UNIT (X54-3830-10)

TX-RX UNIT (X57-8230-1X)

Ref. No.	Address	New parts	Parts No.	Description	Destination	Ref. No.	Address	New parts	Parts No.	Description	Destination
R41			RK73HB1J101J	CHIP R 100 J 1/16W		C64			CK73FB1A106K	CHIP C 10UF K	
R42			RK73HB1J272J	CHIP R 2.7K J 1/16W		C66			CC73HCH1H100B	CHIP C 10PF B	
R43			RK73HB1J103J	CHIP R 10K J 1/16W		C67			CC73HCH1H060B	CHIP C 6.0PF B	
R44			RK73HB1J222J	CHIP R 2.2K J 1/16W		C68			CC73HCH1H100B	CHIP C 10PF B	
R45			RK73HB1J472J	CHIP R 4.7K J 1/16W		C69			CC73HCH1H080B	CHIP C 8.0PF B	
D1			DZ2J062(M)	ZENER DIODE		C70			CK73GB1E105K	CHIP C 1.0UF K	
D2			DA3S101F	DIODE		C71			CC73HCH1H471J	CHIP C 470PF J	
D25			MINISMDC020F	VARISTOR		C73 ,74			CK73HB1H103K	CHIP C 0.010UF K	
D26			HN2S03FE	DIODE		C76 ,77			CC73HCH1H0R5B	CHIP C 0.5PF B	
D27			DZ2J062(M)	ZENER DIODE		C78 ,79			CK73HB1H102K	CHIP C 1000PF K	
IC1			LC75857W-E	MOS-IC		C80			CK73HB1H471K	CHIP C 470PF K	
Q3			KTC4075E(Y,GR)	TRANSISTOR		C81			CC73HCH1H220J	CHIP C 22PF J	
Q6			KTC4075E(Y,GR)	TRANSISTOR		C82			CK73HB1H102K	CHIP C 1000PF K	
Q8			KTC4075E(Y,GR)	TRANSISTOR		C83			CC73HCH1H050B	CHIP C 5.0PF B	
Q9			QST7	TRANSISTOR		C84			CC73HCH1H150J	CHIP C 15PF J	
Q10			LTC014EEBF58	TRANSISTOR		C85			CK73HB1H102K	CHIP C 1000PF K	
Q11			KTC4075E(Y,GR)	TRANSISTOR		C86			CK73HB1H471K	CHIP C 470PF K	
TX-RX UNIT (X57-8230-1X)						C87			CK73HB1H102K	CHIP C 1000PF K	
C1			CK73HB1E103K	CHIP C 0.010UF K		C88			CK73HB1A104K	CHIP C 0.10UF K	
C2			CC73HCH1H101J	CHIP C 100PF J		C89			CC73HCH1H150G	CHIP C 15PF G	
C3 ,4			CK73HB1H103K	CHIP C 0.010UF K		C91			C93-0787-05	CHIP C 0.1UF J	
C5 ,6			CC73HCH1H100B	CHIP C 10PF B		C101			CK73HB1H102K	CHIP C 1000PF K	
C7			CK73HB1H103K	CHIP C 0.010UF K		C102			CK73HB1H471K	CHIP C 470PF K	
C9			CC73HCH1H100B	CHIP C 10PF B		C103			CK73HB1H103K	CHIP C 0.010UF K	
C10 ,11			CK73HB1H103K	CHIP C 0.010UF K		C104			CK73HB1H102K	CHIP C 1000PF K	
C16 -21			CC73HCH1H101J	CHIP C 100PF J		C108			CK73FB1E475K	CHIP C 4.7UF K	
C22			CK73HB1A104K	CHIP C 0.10UF K		C111			CK73HB1H471K	CHIP C 470PF K	
C23			CC73HCH1H101J	CHIP C 100PF J		C113			CK73HB1H471K	CHIP C 470PF K	
C24			CK73HB1A104K	CHIP C 0.10UF K		C116-118			CK73HB1H471K	CHIP C 470PF K	
C25 ,26			CC73HCH1H101J	CHIP C 100PF J		C119			CC73HCH1H270J	CHIP C 27PF J	
C28			CC73HCH1H101J	CHIP C 100PF J		C120			CC73HCH1H220J	CHIP C 22PF J	
C29			CS77MA1VR15M	CHIP TNL 0.15UF 35WV		C121			CC73HCH1H060B	CHIP C 6.0PF B	
C30			CK73GB1E105K	CHIP C 1.0UF K		C123			CC73HCH1H220J	CHIP C 22PF J	
C31			CC73HCH1H101J	CHIP C 100PF J		C124			CC73HCH1H330J	CHIP C 33PF J	
C32			CS77BA1D100M	CHIP TNL 10UF 20WV		C125			CK73HB1H471K	CHIP C 470PF K	
C33			CK73HB1H103K	CHIP C 0.010UF K		C127			CC73HCH1H220J	CHIP C 22PF J	
C34			C93-1906-05	CHIP FILM 0.047UF J		C128			CC73HCH1H470J	CHIP C 47PF J	
C35			CC73HCH1H060B	CHIP C 6.0PF B		C129			CC73HCH1H330J	CHIP C 33PF J	
C36			CC73HCH1H101J	CHIP C 100PF J		C131			CC73HCH1H101J	CHIP C 100PF J	
C37			CC73HCH1H080B	CHIP C 8.0PF B		C133			CC73HCH1H221J	CHIP C 220PF J	
C39			CC73HCH1H330J	CHIP C 33PF J		C134,135			CK73HB1H471K	CHIP C 470PF K	
C40			CC73HCH1H080B	CHIP C 8.0PF B		C136			CK73FB1H471K	CHIP C 470PF K	
C41 -44			CC73HCH1H101J	CHIP C 100PF J		C137			CC73HCH1H101J	CHIP C 100PF J	
C45			CC73HCH1H331J	CHIP C 330PF J		C140			CS77LA1C4R7M	CHIP TNL 4.7UF 16WV	
C46			CC73HCH1H100B	CHIP C 10PF B		C142			CC73HCH1H220J	CHIP C 22PF J	
C49			CC73HCH1H221J	CHIP C 220PF J		C144			CC73HCH1H470J	CHIP C 47PF J	
C50			CC73HCH1H070B	CHIP C 7.0PF B		C145			CK73HB1A104K	CHIP C 0.10UF K	
C51			CK73HB1A105K	CHIP C 1.0UF K		C146			C93-0561-05	CHIP C 12PF J	
C52			CK73HB1H471K	CHIP C 470PF K		C148			CC73HCH1H101J	CHIP C 100PF J	
C53			CC73HCH1H221J	CHIP C 220PF J		C149			CK73HB1H471K	CHIP C 470PF K	
C54			CC73HCH1H181J	CHIP C 180PF J		C151			C93-0563-05	CHIP C 18PF J	
C55			CC73HCH1H390G	CHIP C 39PF G		C152			C92-0875-05	ELECTRO 47UF 25WV	
C56			CC73HCH1H080B	CHIP C 8.0PF B		C154			CK73HB1E223K	CHIP C 0.022UF K	
C57			CC73HCH1H040B	CHIP C 4.0PF B		C155			CK73HB1H471K	CHIP C 470PF K	
C58			CK73HB1H471K	CHIP C 470PF K		C156			CC73HCH1H101J	CHIP C 100PF J	
C59 ,60			CC73HCH1H040B	CHIP C 4.0PF B		C157			CK73HB1H102K	CHIP C 1000PF K	
C61			CK73HB1H471K	CHIP C 470PF K		C158			CK73HB1H471K	CHIP C 470PF K	
C63			CC73HCH1HR75B	CHIP C 0.75PF B		C161			CC73GCH1H040C	CHIP C 4.0PF C	
						C163			CC73GCH1H220J	CHIP C 22PF J	
						C165			CK73HB1H471K	CHIP C 470PF K	

NX-720H(G)/720H

PARTS LIST

TX-RX UNIT (X57-8230-1X)

Ref. No.	Address	New parts	Parts No.	Description	Destination	Ref. No.	Address	New parts	Parts No.	Description	Destination
C167			CC73GCH1H150J	CHIP C 15PF J		C313			CK73HB1A104K	CHIP C 0.10UF K	
C168			CK73HB1H471K	CHIP C 470PF K		C315			CK73HB1E103K	CHIP C 0.010UF K	
C171			CC73HCH1H101J	CHIP C 100PF J		C316			CC73HCH1H100B	CHIP C 10PF B	
C172,173			CK73HB1H471K	CHIP C 470PF K		C317			CC73HCH1H101J	CHIP C 100PF J	
C175			CC73FCH1H390J	CHIP C 39PF J		C322			CC73HCH1H101J	CHIP C 100PF J	
C176			C93-0564-05	CHIP C 22PF J		C323			CC73HCH1H151J	CHIP C 150PF J	
C177,178			C93-1871-05	CHIP CERAMIC 100PF 500WV		C324			CC73HCH1H330G	CHIP C 33PF G	
C179			C93-0559-05	CHIP C 9.0PF D		C325			CC73HCH1H680G	CHIP C 68PF G	
C182			C93-1866-05	CHIP CERAMIC 27PF 250WV		C326			CC73HCH1H100B	CHIP C 10PF B	
C184			C93-0564-05	CHIP C 22PF J		C327			CK73HB1A104K	CHIP C 0.10UF K	
C187,188			CK73HB1H102K	CHIP C 1000PF K		C330			CK73HB1A104K	CHIP C 0.10UF K	
C191			CC73GCH1H151J	CHIP C 150PF J		C332-335			CK73HB1A104K	CHIP C 0.10UF K	
C192			CC73GCH1H100C	CHIP C 10PF C		C336			CK73FB1A106K	CHIP C 10UF K	
C193			CC73GCH1H101J	CHIP C 100PF J		C337			CK73HB1A104K	CHIP C 0.10UF K	
C194			CC73HCH1H050B	CHIP C 5.0PF B		C338			CK73FB1A106K	CHIP C 10UF K	
C201			CK73HB1H103K	CHIP C 0.010UF K		C339			CK73HB1A104K	CHIP C 0.10UF K	
C202			CK73HB1E103K	CHIP C 0.010UF K		C340			CK73HB1H103K	CHIP C 0.010UF K	
C203			CK73HB1H471K	CHIP C 470PF K		C341			CK73HB1A104K	CHIP C 0.10UF K	
C204			CK73FB1E475K	CHIP C 4.7UF K		C342			CK73HB1A105K	CHIP C 1.0UF K	
C205			CK73HB1H471K	CHIP C 470PF K		C343-345			CK73HB1A104K	CHIP C 0.10UF K	
C207			CK73HB1H102K	CHIP C 1000PF K		C346			CK73HB1A105K	CHIP C 1.0UF K	
C208,209			CC73HCH1H120G	CHIP C 12PF G		C347			CK73HB1H103K	CHIP C 0.010UF K	
C210			CK73HB1H103K	CHIP C 0.010UF K		C348			CC73HCH1H470J	CHIP C 47PF J	
C211			CC73HCH1H060B	CHIP C 6.0PF B		C350			CK73HB1H103K	CHIP C 0.010UF K	
C212			CC73HCH1H220G	CHIP C 22PF G		C351			CC73HCH1H101J	CHIP C 100PF J	
C213			CC73HCH1H030B	CHIP C 3.0PF B		C357			CC73HCH1H0R5B	CHIP C 0.5PF B	
C214			CC73HCH1H150G	CHIP C 15PF G		C358			CC73HCH1H100B	CHIP C 10PF B	
C215,216			CK73HB1H102K	CHIP C 1000PF K		C359-361			CK73HB1E103K	CHIP C 0.010UF K	
C217			CC73HCH1H040B	CHIP C 4.0PF B		C366			CK73HB1E103K	CHIP C 0.010UF K	
C218			CC73HCH1H020B	CHIP C 2.0PF B		C367			CK73HB1H103K	CHIP C 0.010UF K	
C223			CK73HB1H102K	CHIP C 1000PF K		C368			CK73HB1H471K	CHIP C 470PF K	
C224			CC73HCH1H220G	CHIP C 22PF G		C369			CK73HB1H103K	CHIP C 0.010UF K	
C225			CK73HB1H102K	CHIP C 1000PF K		C370			CC73HCH1H220G	CHIP C 22PF G	
C227			CK73HB1H102K	CHIP C 1000PF K		C371			CK73HB1H103K	CHIP C 0.010UF K	
C229			CK73HB1H102K	CHIP C 1000PF K		C401			C92-0968-05	ELECTRO 470UF 25WV	
C231			CC73GCH1H060B	CHIP C 6.0PF B		C403			CK73HB1H471K	CHIP C 470PF K	
C232			CC73HCH1H220J	CHIP C 22PF J		C405			CK73HB1H103K	CHIP C 0.010UF K	
C233			CC73GCH1H060B	CHIP C 6.0PF B		C408,409			CK73HB1H103K	CHIP C 0.010UF K	
C234			CC73HCH1H390J	CHIP C 39PF J		C410			CK73GB1C225K	CHIP C 2.2UF K	
C235			CC73HCH1H270G	CHIP C 27PF G		C411			CK73GB1H104K	CHIP C 0.10UF K	
C239			CK73GB1H104K	CHIP C 0.10UF K		C413			CC73HCH1H101J	CHIP C 100PF J	
C240			CK73GB1E105K	CHIP C 1.0UF K		C416			CK73HB1H103K	CHIP C 0.010UF K	
C246,247			CK73HB1H102K	CHIP C 1000PF K		C417			CC73HCH1H101J	CHIP C 100PF J	
C250			CK73HB1A104K	CHIP C 0.10UF K		C420			CK73GB1E105K	CHIP C 1.0UF K	
C251			CC73HCH1H050B	CHIP C 5.0PF B		C422			CK73HB1H102K	CHIP C 1000PF K	
C253			CK73HB1H102K	CHIP C 1000PF K		C423,424			CC73HCH1H101J	CHIP C 100PF J	
C254			CC73HCH1H120G	CHIP C 12PF G		C425			CK73HB1H103K	CHIP C 0.010UF K	
C255			CC73HCH1H470J	CHIP C 47PF J		C427			CK73GB1H473K	CHIP C 0.047UF K	
C256			CC73HCH1H180G	CHIP C 18PF G		C428			CK73HB1A104K	CHIP C 0.10UF K	
C257			CK73HB1H102K	CHIP C 1000PF K		C429			CK73HB1H471K	CHIP C 470PF K	
C258			CC73HCH1H150G	CHIP C 15PF G		C430			CK73FB1E475K	CHIP C 4.7UF K	
C259			CK73HB1H102K	CHIP C 1000PF K		C431			CC73HCH1H101J	CHIP C 100PF J	
C260			CC73HCH1H180G	CHIP C 18PF G		C432			CK73GB1H104K	CHIP C 0.10UF K	
C261			CC73HCH1H560J	CHIP C 56PF J		C433,434			CK73FB1E475K	CHIP C 4.7UF K	
C262			CK73HB1H102K	CHIP C 1000PF K		C435			CK73GB1C225K	CHIP C 2.2UF K	
C293			CK73HB1H471K	CHIP C 470PF K		C436			CK73HB1H103K	CHIP C 0.010UF K	
C306			CK73HB1E103K	CHIP C 0.010UF K		C437			CK73FB1E475K	CHIP C 4.7UF K	
C307			CK73HB1A104K	CHIP C 0.10UF K		C438,439			CK73GB1H104K	CHIP C 0.10UF K	
C309			CC73HCH1H100B	CHIP C 10PF B		C440			C92-0875-05	ELECTRO 47UF 25WV	
C312			CK73HB1H103K	CHIP C 0.010UF K		C441			CK73GB1C225K	CHIP C 2.2UF K	

NX-720H(G)/720H

PARTS LIST

TX-RX UNIT (X57-8230-1X)

Ref. No.	Address	New parts	Parts No.	Description	Destination	Ref. No.	Address	New parts	Parts No.	Description	Destination
C442			CK73HB1H103K	CHIP C 0.010UF K		C570			CK73HB1A105K	CHIP C 1.0UF K	
C443			CK73GB1E105K	CHIP C 1.0UF K		C572-576			CK73HB1A104K	CHIP C 0.10UF K	
C445,446			CK73HB1H103K	CHIP C 0.010UF K		C577			CK73HB1H103K	CHIP C 0.010UF K	
C447			CK73GB1E105K	CHIP C 1.0UF K		C578			CK73HB1A105K	CHIP C 1.0UF K	
C448			CK73HB1H103K	CHIP C 0.010UF K		C579-581			CK73HB1H103K	CHIP C 0.010UF K	
C449			CK73GB1E105K	CHIP C 1.0UF K		C602			CK73HB1H103K	CHIP C 0.010UF K	
C450,451			CK73FB1A106K	CHIP C 10UF K		C603			CC73HCH1H101J	CHIP C 100PF J	
C452			CS77LA1C4R7M	CHIP TNL 4.7UF 16WV		C604			CK73HB1H102K	CHIP C 1000PF K	
C453			CK73HB1H103K	CHIP C 0.010UF K		C605			CC73HCH1H101J	CHIP C 100PF J	
C454,455			CK73GB1C225K	CHIP C 2.2UF K		C607			CC73HCH1H101J	CHIP C 100PF J	
C456			CK73HB1H103K	CHIP C 0.010UF K		C609-611			CC73HCH1H470J	CHIP C 47PF J	
C457,458			CC73HCH1H101J	CHIP C 100PF J		C612			CC73HCH1H101J	CHIP C 100PF J	
C460			CC73HCH1H101J	CHIP C 100PF J		C613			CK73HB1H103K	CHIP C 0.010UF K	
C461			CK73HB1A105K	CHIP C 1.0UF K		C614-618			CC73HCH1H101J	CHIP C 100PF J	
C462			CK73GB1E105K	CHIP C 1.0UF K		C620			CC73HCH1H101J	CHIP C 100PF J	
C463			CC73HCH1H101J	CHIP C 100PF J		C621			CK73HB1H102K	CHIP C 1000PF K	
C464			CK73HB1A105K	CHIP C 1.0UF K		C622-624			CK73HB1H103K	CHIP C 0.010UF K	
C465,466			CK73GB1E105K	CHIP C 1.0UF K		C625			CK73HB1A104K	CHIP C 0.10UF K	
C468			CK73HB1H103K	CHIP C 0.010UF K		C626			CK73GB1H103K	CHIP C 0.010UF K	
C469			CK73HB1A105K	CHIP C 1.0UF K		C627-630			CK73GB1E105K	CHIP C 1.0UF K	
C471			CC73HCH1H101J	CHIP C 100PF J		C632			CK73HB1H102K	CHIP C 1000PF K	
C472			CK73HB1H102K	CHIP C 1000PF K		C633-642			CC73HCH1H101J	CHIP C 100PF J	
C475			CK73GB1E105K	CHIP C 1.0UF K		C643			CK73HB1E223K	CHIP C 0.022UF K	
C476			CK73HB1A104K	CHIP C 0.10UF K		C644			CC73HCH1H101J	CHIP C 100PF J	
C477			CK73GB1H104K	CHIP C 0.10UF K		C645			CK73GB1H103K	CHIP C 0.010UF K	
C501-504			CK73HB1A104K	CHIP C 0.10UF K		C646			CC73HCH1H101J	CHIP C 100PF J	
C505-507			CK73GB0J106K	CHIP C 10UF K		C647			CK73HB1H103K	CHIP C 0.010UF K	
C508,509			CK73HB1A105K	CHIP C 1.0UF K		C648			CK73GB1H104K	CHIP C 0.10UF K	
C510			CK73HB1A104K	CHIP C 0.10UF K		C650-652			CK73HB1A104K	CHIP C 0.10UF K	
C512			CK73HB1A104K	CHIP C 0.10UF K		C660			CC73HCH1H101J	CHIP C 100PF J	
C514-516			CK73HB1A104K	CHIP C 0.10UF K		C661			CC73HCH1H470J	CHIP C 47PF J	
C518-520			CK73HB1A104K	CHIP C 0.10UF K		C680			CK73HB1A104K	CHIP C 0.10UF K	
C521			CC73HCH1H101J	CHIP C 100PF J		C701			CK73HB1H682K	CHIP C 6800PF K	
C522,523			CK73HB1A104K	CHIP C 0.10UF K		C702			CK73HB1H102K	CHIP C 1000PF K	
C524			CK73HB1A105K	CHIP C 1.0UF K		C704			CK73HB1A105K	CHIP C 1.0UF K	
C525-531			CK73HB1A104K	CHIP C 0.10UF K		C705			CC73HCH1H470J	CHIP C 47PF J	
C532			CK73HB1H103K	CHIP C 0.010UF K		C706			CK73HB1A104K	CHIP C 0.10UF K	
C533			CK73GB0J106K	CHIP C 10UF K		C707			CK73HB1H681K	CHIP C 680PF K	
C534			CK73HB1A104K	CHIP C 0.10UF K		C708			CK73HB1H102K	CHIP C 1000PF K	
C535			CK73HB1H272K	CHIP C 2700PF K		C709			CC73HCH1H270J	CHIP C 27PF J	
C536			CK73HB1A104K	CHIP C 0.10UF K		C711			CC73HCH1H331J	CHIP C 330PF J	
C537			CK73HB1H102K	CHIP C 1000PF K		C712			CC73HCH1H181J	CHIP C 180PF J	
C541			CK73HB1A104K	CHIP C 0.10UF K		C714			CC73HCH1H680J	CHIP C 68PF J	
C542			CK73HB1H103K	CHIP C 0.010UF K		C716			CC73HCH1H101J	CHIP C 100PF J	
C543,544			CK73HB1A104K	CHIP C 0.10UF K		C718			CK73HB1A104K	CHIP C 0.10UF K	
C545			CK73FB1A106K	CHIP C 10UF K		C719			CC73HCH1H101J	CHIP C 100PF J	
C546			CK73HB1H103K	CHIP C 0.010UF K		C720			CK73HB1A104K	CHIP C 0.10UF K	
C547			CC73HCH1H101J	CHIP C 100PF J		C722			CK73HB1A104K	CHIP C 0.10UF K	
C548			CK73HB1H103K	CHIP C 0.010UF K		C723			CC73HCH1H470J	CHIP C 47PF J	
C549			CK73HB1A104K	CHIP C 0.10UF K		C725			CC73HCH1H121J	CHIP C 120PF J	
C551			CK73HB1A104K	CHIP C 0.10UF K		C728			CK73HB1H821K	CHIP C 820PF K	
C552			CK73HB1H103K	CHIP C 0.010UF K		C729			CK73HB1H681K	CHIP C 680PF K	
C553			CK73HB1A105K	CHIP C 1.0UF K		C732			CK73HB1H102K	CHIP C 1000PF K	
C555,556			CK73HB1H103K	CHIP C 0.010UF K		C733			CK73FB1E475K	CHIP C 4.7UF K	
C558			CK73HB1A104K	CHIP C 0.10UF K		C734			CK73HB1H472K	CHIP C 4700PF K	
C559			CK73FB1A106K	CHIP C 10UF K		C735			CK73GB0J106K	CHIP C 10UF K	
C560			CC73HCH1H030B	CHIP C 3.0PF B		C738			CK73HB1A104K	CHIP C 0.10UF K	
C563			CC73HCH1H101J	CHIP C 100PF J		C739			CK73HB1A105K	CHIP C 1.0UF K	
C565-568			CK73HB1A104K	CHIP C 0.10UF K		C740			CK73HB1H102K	CHIP C 1000PF K	
C569			CK73HB1H103K	CHIP C 0.010UF K		C741			CK73HB1A224K	CHIP C 0.22UF K	

NX-720H(G)/720H

PARTS LIST

TX-RX UNIT (X57-8230-1X)

Ref. No.	Address	New parts	Parts No.	Description	Destination	Ref. No.	Address	New parts	Parts No.	Description	Destination
C743			CC73HCH1H470J	CHIP C 47PF J		F701			F53-0324-15	FUSE(2.5A)	
C744			CK73HB1A224K	CHIP C 0.22UF K		CF1			L72-1017-05	CERAMIC FILTER(450KHZ)	
C746			CK73HB1A104K	CHIP C 0.10UF K		CF2			L72-1040-05	CERAMIC FILTER(450KHZ)	
C747			CC73HCH1H221J	CHIP C 220PF J		L1			L92-0163-05	BEADS CORE	
C749			CK73HB1H102K	CHIP C 1000PF K		L2			L41-4795-39	SMALL FIXED INDUCTOR(4.7UH)	
C752,753			CK73HB1A104K	CHIP C 0.10UF K		L3			L92-0163-05	BEADS CORE	
C758			CC73HCH1H101J	CHIP C 100PF J		L4			L40-1075-71	SMALL FIXED INDUCTOR(10NH)	
C762			CK73HB1H103K	CHIP C 0.010UF K		L5			L92-0163-05	BEADS CORE	
C765			CC73HCH1H220J	CHIP C 22PF J		L6,7			L40-1001-86	SMALL FIXED INDUCTOR(10UH)	
C766,767			CK73GB0J475K	CHIP C 4.7UF K		L10			L40-5663-71	SMALL FIXED INDUCTOR(5.6NH)	
C769			CK73HB1E103K	CHIP C 0.010UF K		L11			L40-2285-92	SMALL FIXED INDUCTOR(220NH)	
C770			CK73HB1A104K	CHIP C 0.10UF K		L12			L40-3391-86	SMALL FIXED INDUCTOR(3.3UH)	
C771			CK73HB1H122K	CHIP C 1200PF K		L13			L40-2285-92	SMALL FIXED INDUCTOR(220NH)	
C773			CK73HB1E103K	CHIP C 0.010UF K		L14			L40-3391-86	SMALL FIXED INDUCTOR(3.3UH)	
C774			CK73HB1A104K	CHIP C 0.10UF K		L15,16			L40-1885-92	SMALL FIXED INDUCTOR(180NH)	
C775			CC73HCH1H101J	CHIP C 100PF J		L17			L40-6865-71	SMALL FIXED INDUCTOR(6.8NH)	
C776			CK73HB1A393K	CHIP C 0.039UF K		L18			L34-4611-15	AIR-CORE COIL(10T)	
C777			CK73HB1A104K	CHIP C 0.10UF K		L19			L92-0163-05	BEADS CORE	
C778			CK73HB1A105K	CHIP C 1.0UF K		L20			L34-4609-15	AIR-CORE COIL(8T)	
C779,780			CC73HCH1H101J	CHIP C 100PF J		L21			L40-4775-92	SMALL FIXED INDUCTOR(47NH)	
C782			CK73HB1A104K	CHIP C 0.10UF K		L22			L92-0446-05	BEADS CORE	
C784			CK73FB1A106K	CHIP C 10UF K		L23,24			L40-3391-86	SMALL FIXED INDUCTOR(3.3UH)	
C786			CK73HB1A104K	CHIP C 0.10UF K		L25			L40-1285-71	SMALL FIXED INDUCTOR(120NH)	
C788			CK73FB1E475K	CHIP C 4.7UF K		L26			L92-0163-05	BEADS CORE	
C790,791			CK73FB1A106K	CHIP C 10UF K		L27			L40-1085-92	SMALL FIXED INDUCTOR(100NH)	
C796			CK73GB1E105K	CHIP C 1.0UF K		L102			L40-6875-92	SMALL FIXED INDUCTOR(68NH)	
C797,798			CK73GB1C224K	CHIP C 0.22UF K		L103			L92-0140-05	CHIP FERRITE	
C801			C92-0875-05	ELECTRO 47UF 25WV		L104			L40-3375-92	SMALL FIXED INDUCTOR(33NH)	
C802			CK73HB1H102K	CHIP C 1000PF K		L105			L92-0163-05	BEADS CORE	
C803,804			C92-0906-05	ELECTRO 330UF 16WV		L106			L40-3975-92	SMALL FIXED INDUCTOR(39NH)	
C805			CK73HB1H102K	CHIP C 1000PF K		L107			L92-0140-05	CHIP FERRITE	
C806			CK73GB1E105K	CHIP C 1.0UF K		L108-110			L92-0179-05	CHIP FERRITE	
C807			CK73HB1C473K	CHIP C 0.047UF K		L111			L92-0163-05	BEADS CORE	
C808			CK73HB1A683K	CHIP C 0.068UF K		L112			L34-4478-15	AIR-CORE COIL(9.5T)	
C809			CK73HB1H102K	CHIP C 1000PF K	HG	L113			L34-4909-05	AIR-CORE COIL(5T)	
C810			CK73FB1E475K	CHIP C 4.7UF K		L114			L34-4478-15	AIR-CORE COIL(9.5T)	
C811			CK73HB1H102K	CHIP C 1000PF K		L115			L34-4670-05	AIR-CORE COIL(5T)	
C812			CK73FB1A106K	CHIP C 10UF K		L116			L34-4481-15	AIR-CORE COIL(6T)	
C813			CK73GB0J106K	CHIP C 10UF K	H	L117			L34-4736-05	AIR-CORE COIL(5T)	
C813,814			CK73GB0J106K	CHIP C 10UF K	HG	L118			L40-6875-92	SMALL FIXED INDUCTOR(68NH)	
C815			CK73HB1A104K	CHIP C 0.10UF K	HG	L130			L40-5675-71	SMALL FIXED INDUCTOR(56NH)	
C816			CK73HB1H102K	CHIP C 1000PF K	HG	L201			L92-0138-05	CHIP FERRITE	
C820			CK73HB1A104K	CHIP C 0.10UF K	HG	L202			L41-5685-39	SMALL FIXED INDUCTOR(0.56UH)	
C821,822			CC73HCH1H180J	CHIP C 18PF J	HG	L203			L41-2785-39	SMALL FIXED INDUCTOR(0.27U)	
C823			CK73HB1H102K	CHIP C 1000PF K	HG	L204			L40-3375-71	SMALL FIXED INDUCTOR(33NH)	
C824,825			CC73HCH1H180J	CHIP C 18PF J	HG	L205			L40-3975-71	SMALL FIXED INDUCTOR(39NH)	
C826			CK73HB1A104K	CHIP C 0.10UF K	HG	L206			L40-1085-71	SMALL FIXED INDUCTOR(100NH)	
C829			CK73GB0J106K	CHIP C 10UF K		L207			L41-2285-14	SMALL FIXED INDUCTOR(220NH)	
C830,831			CK73HB1A104K	CHIP C 0.10UF K		L209,210			L41-2778-14	SMALL FIXED INDUCTOR(27NH)	
C832,833			CK73HB1H102K	CHIP C 1000PF K		L212			L92-0138-05	CHIP FERRITE	
CN10-15			E23-1278-05	TERMINAL		L213			L41-1085-14	SMALL FIXED INDUCTOR(100NH)	
CN203-206			E23-1278-05	TERMINAL		L214			L40-1275-92	SMALL FIXED INDUCTOR(12NH)	
CN514			E40-6847-05	FLAT CABLE CONNECTOR		L215,216			L41-3378-14	SMALL FIXED INDUCTOR(33NH)	
CN801			E04-0410-05	PIN SOCKET(3P) HG	HG	L220			L40-2785-92	SMALL FIXED INDUCTOR(270NH)	
J501	2B		E58-0536-05	D-SUB SOCKET(15P)		L221			L40-5663-71	SMALL FIXED INDUCTOR(5.6NH)	
J701	2B		E11-0425-05	3.5D PHONE JACK(EXT-SP)		L232,233			L41-3978-14	SMALL FIXED INDUCTOR(39NH)	
F401			F53-0328-15	FUSE(5A)		L301			L41-1585-14	SMALL FIXED INDUCTOR(150NH)	
F501			F53-0324-15	FUSE(2.5A)		L302			L40-5681-86	SMALL FIXED INDUCTOR(0.56UH)	
F502,503			F53-0315-15	FUSE(250MA)							

NX-720H(G)/720H

PARTS LIST

TX-RX UNIT (X57-8230-1X)

Ref. No.	Address	New parts	Parts No.	Description	Destination	Ref. No.	Address	New parts	Parts No.	Description	Destination
L304			L40-5675-92	SMALL FIXED INDUCTOR(56NH)		R34			RK73HB1J182J	CHIP R	1.8K J 1/16W
L307			L40-2291-86	SMALL FIXED INDUCTOR(2.2UH)		R35 -38			RK73HB1J000J	CHIP R	0 J 1/16W
L309			L40-1085-57	SMALL FIXED INDUCTOR(100NH)		R39			RK73HB1J103J	CHIP R	10K J 1/16W
L310			L92-0138-05	CHIP FERRITE		R42, 43			RK73HB1J104J	CHIP R	100K J 1/16W
L317			L41-3985-39	SMALL FIXED INDUCTOR(0.39UH)		R44			RK73HB1J273J	CHIP R	27K J 1/16W
L319			L41-1885-39	SMALL FIXED INDUCTOR(0.18UH)		R45, 46			RK73HB1J473J	CHIP R	47K J 1/16W
L404			L92-0639-05	CHIP FERRITE		R48			RK73HB1J472J	CHIP R	4.7K J 1/16W
L405			L33-1496-05	SMALL FIXED INDUCTOR(22UH)		R50			RK73HB1J560J	CHIP R	56 J 1/16W
L501			L92-0138-05	CHIP FERRITE		R51			RK73HB1J561J	CHIP R	560 J 1/16W
L503			L92-0138-05	CHIP FERRITE		R52			RK73HB1J474J	CHIP R	470K J 1/16W
L504-506			L92-0162-05	BEADS CORE		R53			RK73HB1J563J	CHIP R	56K J 1/16W
L508			L92-0138-05	CHIP FERRITE		R54			RN73HH1J331D	CHIP R	330 D 1/16W
L510			L92-0138-05	CHIP FERRITE		R55			RN73HH1J221D	CHIP R	220 D 1/16W
L801			L79-1958-05	FILTER	HG	R56			RK73HB1J000J	CHIP R	0 J 1/16W
L802			L40-2775-57	SMALL FIXED INDUCTOR(27.0NH)	HG	R57, 58			RN73HH1J220D	CHIP R	22 D 1/16W
L805,806			L92-0138-05	CHIP FERRITE	HG	R59			RK73HB1J102J	CHIP R	1.0K J 1/16W
X1			L77-3073-05	TCXO(16.8MHZ)		R60			RK73HB1J473J	CHIP R	47K J 1/16W
X501			L77-3015-05	TCXO(18.432MHZ)		R61			RK73HB1J154J	CHIP R	150K J 1/16W
XF1			L71-0678-05	MCF(49.95MHZ)		R62			RK73HB1J101J	CHIP R	100 J 1/16W
						R63			RK73HB1J103J	CHIP R	10K J 1/16W
CP1			RK74HB1J100J	CHIP-COM		10 J 1/16W					
CP501			RK74HB1J104J	CHIP-COM		100K J 1/16W					
CP502			RK74HA1J104J	CHIP-COM		100K J 1/16W					
CP503			RK74HB1J104J	CHIP-COM		100K J 1/16W					
CP504			RK74HA1J101J	CHIP-COM		100 J 1/16W					
CP505			RK74HA1J104J	CHIP-COM		100K J 1/16W					
CP506-508			RK74HB1J104J	CHIP-COM		100K J 1/16W					
CP510			RK74HA1J104J	CHIP-COM		100K J 1/16W					
CP511			RK74HA1J101J	CHIP-COM		100 J 1/16W					
CP512			RK74HA1J104J	CHIP-COM		100K J 1/16W					
CP513			RK74HB1J104J	CHIP-COM		100K J 1/16W					
CP514			RK74HA1J104J	CHIP-COM		100K J 1/16W					
CP515			RK74HA1J101J	CHIP-COM		100 J 1/16W					
CP516			RK74HB1J101J	CHIP-COM		100 J 1/16W					
CP701			RK74HB1J101J	CHIP-COM		100 J 1/16W					
CP703,704			RK74HB1J104J	CHIP-COM		100K J 1/16W					
CP705,706			RK74HA1J104J	CHIP-COM		100K J 1/16W					
CP707			RK74HB1J102J	CHIP-COM		1.0K J 1/16W					
R1			RK73HB1J000J	CHIP R		0 J 1/16W					
R4			RK73HB1J000J	CHIP R		0 J 1/16W					
R10			RK73HB1J100J	CHIP R		10 J 1/16W					
R12			RK73HB1J683J	CHIP R		68K J 1/16W					
R13, 14			RK73HB1J473J	CHIP R		47K J 1/16W					
R15			RK73HB1J100J	CHIP R		10 J 1/16W					
R16			RK73HB1J102J	CHIP R		1.0K J 1/16W					
R17			RK73HB1J104J	CHIP R		100K J 1/16W					
R18			RK73HB1J102J	CHIP R		1.0K J 1/16W					
R19, 20			RK73HB1J000J	CHIP R		0 J 1/16W					
R21			RK73HB1J470J	CHIP R		47 J 1/16W					
R22			RK73HB1J121J	CHIP R		120 J 1/16W					
R23			RK73HB1J100J	CHIP R		10 J 1/16W					
R24			RK73HH1J391D	CHIP R		390 D 1/16W					
R25			RK73HB1J104J	CHIP R		100K J 1/16W					
R26			RK73HB1J102J	CHIP R		1.0K J 1/16W					
R27			RK73HB1J103J	CHIP R		10K J 1/16W					
R28			RK73HB1J106J	CHIP R		10M J 1/16W					
R29			RK73HB1J470J	CHIP R		47 J 1/16W					
R30			RK73HB1J184J	CHIP R		180K J 1/16W					
R31			RK73HB1J473J	CHIP R		47K J 1/16W					
R33			RK73HB1J472J	CHIP R		4.7K J 1/16W					
R34			RK73HB1J182J	CHIP R		1.8K J 1/16W					
R35 -38			RK73HB1J000J	CHIP R		0 J 1/16W					
R39			RK73HB1J103J	CHIP R		10K J 1/16W					
R42, 43			RK73HB1J104J	CHIP R		100K J 1/16W					
R44			RK73HB1J273J	CHIP R		27K J 1/16W					
R45, 46			RK73HB1J473J	CHIP R		47K J 1/16W					
R48			RK73HB1J472J	CHIP R		4.7K J 1/16W					
R50			RK73HB1J560J	CHIP R		56 J 1/16W					
R51			RK73HB1J561J	CHIP R		560 J 1/16W					
R52			RK73HB1J474J	CHIP R		470K J 1/16W					
R53			RK73HB1J563J	CHIP R		56K J 1/16W					
R54			RN73HH1J331D	CHIP R		330 D 1/16W					
R55			RN73HH1J221D	CHIP R		220 D 1/16W					
R56			RK73HB1J000J	CHIP R		0 J 1/16W					
R57, 58			RN73HH1J220D	CHIP R		22 D 1/16W					
R59			RK73HB1J102J	CHIP R		1.0K J 1/16W					
R60			RK73HB1J473J	CHIP R		47K J 1/16W					
R61			RK73HB1J154J	CHIP R		150K J 1/16W					
R62			RK73HB1J101J	CHIP R		100 J 1/16W					
R63			RK73HB1J103J	CHIP R		10K J 1/16W					
R64			RK73HB1J822J	CHIP R		8.2K J 1/16W					
R65 -67			RK73HB1J101J	CHIP R		100 J 1/16W					
R69			RK73HB1J472J	CHIP R		4.7K J 1/16W					
R70			RK73HB1J474J	CHIP R		470K J 1/16W					
R71			RK73HB1J101J	CHIP R		100 J 1/16W					
R72			RK73HB1J102J	CHIP R		1.0K J 1/16W					
R73			RK73GB2A000J	CHIP R		0 J 1/10W					
R75			RK73HB1J100J	CHIP R		10 J 1/16W					
R76			RK73HB1J000J	CHIP R		0 J 1/16W					
R80 -83			RK73GB2A000J	CHIP R		0 J 1/10W					
R86 -88			RK73HB1J000J	CHIP R		0 J 1/16W					
R101			RK73HB1J332J	CHIP R		3.3K J 1/16W					
R103			RK73HB1J000J	CHIP R		0 J 1/16W					
R111			RK73HB1J272J	CHIP R		2.7K J 1/16W					
R112			RK73HB1J182J	CHIP R		1.8K J 1/16W					
R113			RK73GB2A680J	CHIP R		68 J 1/10W					
R114			RK73HB1J331J	CHIP R		330 J 1/16W					
R115			RK73GB2A680J	CHIP R		68 J 1/10W					
R120			RK73HB1J153J	CHIP R		15K J 1/16W					
R121			RK73FB2B471J	CHIP R		470 J 1/8W					
R122, 123			RK73FB2B220J	CHIP R		22 J 1/8W					
R125			RK73FB2B471J	CHIP R		470 J 1/8W					
R128			RK73HB1J471J	CHIP R		470 J 1/16W					
R130			RK73HB1J273J	CHIP R		27K J 1/16W					
R131			RK73HB1J103J	CHIP R		10K J 1/16W					
R133			RK73HB1J153J	CHIP R		15K J 1/16W					
R134			RK73GB2A181J	CHIP R		180 J 1/10W					
R135			RK73HB1J104J	CHIP R		100K J 1/16W					
R136			RK73GB2A181J	CHIP R		180 J 1/10W					
R137			RK73HB1J104J	CHIP R		100K J 1/16W					
R138			RK73HB1J103J	CHIP R		10K J 1/16W					
R139			RK73GH2A101D	CHIP R		100 D 1/10W					
R141			RK73HB1J333J	CHIP R		33K J 1/16W					
R142			RK73HB1J000J	CHIP R		0 J 1/16W					
R143			RK73HB1J104J	CHIP R		100K J 1/16W					
R145			RK73GB2A000J	CHIP R		0 J 1/10W					
R146			RK73HB1J393J	CHIP R		39K J 1/16W					
R147			RK73HB1J124J	CHIP R		120K J 1/16W					
R148			RK73HB1J000J	CHIP R		0 J 1/16W					
R149			RK73HB1J103J	CHIP R		10K J 1/16W					

NX-720H(G)/720H

PARTS LIST

TX-RX UNIT (X57-8230-1X)

Ref. No.	Address	New parts	Parts No.	Description	Destination	Ref. No.	Address	New parts	Parts No.	Description	Destination
R150			RK73HB1J124J	CHIP R 120K J 1/16W		R344			RK73HB1J272J	CHIP R 2.7K J 1/16W	
R152			RK73HB1J102J	CHIP R 1.0K J 1/16W		R345			RK73HB1J000J	CHIP R 0 J 1/16W	
R154			RK73HB1J000J	CHIP R 0 J 1/16W		R350			RK73HB1J103J	CHIP R 10K J 1/16W	
R155			RK73HB1J223J	CHIP R 22K J 1/16W		R351			RK73HB1J104J	CHIP R 100K J 1/16W	
R157,158			RK73HB1J333J	CHIP R 33K J 1/16W		R355			RK73HB1J000J	CHIP R 0 J 1/16W	
R159,160			RK73HB1J000J	CHIP R 0 J 1/16W		R357			RK73HB1J124J	CHIP R 120K J 1/16W	
R161			RK73HB1J104J	CHIP R 100K J 1/16W		R358			RK73HB1J333J	CHIP R 33K J 1/16W	
R167			RK73HB1J153J	CHIP R 15K J 1/16W		R368			RK73HB1J221J	CHIP R 220 J 1/16W	
R168,169			RK73EB2E241J	CHIP R 240 J 1/4W		R378			RK73HB1J394J	CHIP R 390K J 1/16W	
R171			R92-1061-05	JUMPER REST 0 OHM		R379			RK73HB1J222J	CHIP R 2.2K J 1/16W	
R176			RK73GB2A471J	CHIP R 470 J 1/10W		R381			RK73HB1J221J	CHIP R 220 J 1/16W	
R177,178			RK73HB1J000J	CHIP R 0 J 1/16W		R390			RK73HB1J103J	CHIP R 10K J 1/16W	
R179,180			RK73HB1J333J	CHIP R 33K J 1/16W		R394			RK73HB1J181J	CHIP R 180 J 1/16W	
R181			RK73HB1J000J	CHIP R 0 J 1/16W		R401			RK73HB1J471J	CHIP R 470 J 1/16W	
R183			RK73HB1J103J	CHIP R 10K J 1/16W		R402			RK73HB1J103J	CHIP R 10K J 1/16W	
R184			RK73HB1J473J	CHIP R 47K J 1/16W		R403			RK73HH1J274D	CHIP R 270K D 1/16W	
R201			RK73HB1J470J	CHIP R 47 J 1/16W		R404			RK73HH1J104D	CHIP R 100K D 1/16W	
R203			RK73HB1J681J	CHIP R 680 J 1/16W		R405,406			RK73HB1J103J	CHIP R 10K J 1/16W	
R204			RK73HB1J472J	CHIP R 4.7K J 1/16W		R407			RK73HB1J472J	CHIP R 4.7K J 1/16W	
R205			RK73HB1J151J	CHIP R 150 J 1/16W		R408			RK73HB1J684J	CHIP R 680K J 1/16W	
R207			RK73HB1J104J	CHIP R 100K J 1/16W		R409			RK73HB1J104J	CHIP R 100K J 1/16W	
R208			RK73HB1J184J	CHIP R 180K J 1/16W		R410			RK73GB2A4R7J	CHIP R 4.7 J 1/10W	
R209			RK73HB1J104J	CHIP R 100K J 1/16W		R411			RK73HB1J473J	CHIP R 47K J 1/16W	
R210			RK73HB1J224J	CHIP R 220K J 1/16W		R412,413			RK73GB2A100J	CHIP R 10 J 1/10W	
R212			RK73HB1J104J	CHIP R 100K J 1/16W		R414,415			RK73HB1J103J	CHIP R 10K J 1/16W	
R223			RK73HB1J000J	CHIP R 0 J 1/16W		R417			RK73HB1J104J	CHIP R 100K J 1/16W	
R230			RK73HB1J000J	CHIP R 0 J 1/16W		R418			RK73HB1J000J	CHIP R 0 J 1/16W	
R233			RK73HB1J274J	CHIP R 270K J 1/16W		R419			RK73HB1J272J	CHIP R 2.7K J 1/16W	
R234			RK73HB1J104J	CHIP R 100K J 1/16W		R421			RK73HB1J472J	CHIP R 4.7K J 1/16W	
R235			RK73HB1J103J	CHIP R 10K J 1/16W		R422			RK73HB1J474J	CHIP R 470K J 1/16W	
R237			RK73HB1J104J	CHIP R 100K J 1/16W		R423			RK73HB1J472J	CHIP R 4.7K J 1/16W	
R241			RK73HB1J103J	CHIP R 10K J 1/16W		R424			RK73HB1J103J	CHIP R 10K J 1/16W	
R242			RK73HB1J154J	CHIP R 150K J 1/16W		R425			RK73HH1J124D	CHIP R 120K D 1/16W	
R243			RK73HB1J104J	CHIP R 100K J 1/16W		R426			RK73HH1J183D	CHIP R 18K D 1/16W	
R245			RK73HB1J102J	CHIP R 1.0K J 1/16W		R427			RK73HH1J223D	CHIP R 22K D 1/16W	
R246			RK73HB1J100J	CHIP R 10 J 1/16W		R428			RK73HB1J102J	CHIP R 1.0K J 1/16W	
R247			RK73HB1J390J	CHIP R 39 J 1/16W		R429			RK73HB1J000J	CHIP R 0 J 1/16W	
R249			RK73HB1J472J	CHIP R 4.7K J 1/16W		R430			RK73HB1J102J	CHIP R 1.0K J 1/16W	
R250			RK73HB1J222J	CHIP R 2.2K J 1/16W		R431			RK73HB1J000J	CHIP R 0 J 1/16W	
R255-258			RK73HB1J104J	CHIP R 100K J 1/16W		R432			RK73HB1J103J	CHIP R 10K J 1/16W	
R259			RK73HB1J000J	CHIP R 0 J 1/16W		R433			RK73HB1J274J	CHIP R 270K J 1/16W	
R303-305			RK73HB1J102J	CHIP R 1.0K J 1/16W		R434			RK73HB1J103J	CHIP R 10K J 1/16W	
R306			RK73HB1J334J	CHIP R 330K J 1/16W		R435			RK73HB1J000J	CHIP R 0 J 1/16W	
R307			RK73HB1J561J	CHIP R 560 J 1/16W		R438			RK73GB2A100J	CHIP R 10 J 1/10W	
R308			RK73HB1J000J	CHIP R 0 J 1/16W		R439			RK73HB1J474J	CHIP R 470K J 1/16W	
R315			RK73HB1J000J	CHIP R 0 J 1/16W		R440			RK73HB1J000J	CHIP R 0 J 1/16W	
R316			RK73HB1J332J	CHIP R 3.3K J 1/16W		R441			RK73HB1J272J	CHIP R 2.7K J 1/16W	
R323			RK73HB1J000J	CHIP R 0 J 1/16W		R501			RK73HB1J220J	CHIP R 22 J 1/16W	
R324			RK73HB1J183J	CHIP R 18K J 1/16W		R503,504			RK73HB1J104J	CHIP R 100K J 1/16W	
R326			RK73GB2A331J	CHIP R 330 J 1/10W		R505,506			RK73GB2A000J	CHIP R 0 J 1/10W	
R328			RK73HB1J183J	CHIP R 18K J 1/16W		R508-511			RK73HB1J101J	CHIP R 100 J 1/16W	
R329			RK73HB1J100J	CHIP R 10 J 1/16W		R512			RK73HB1J104J	CHIP R 100K J 1/16W	
R332			RK73HB1J000J	CHIP R 0 J 1/16W		R513			RK73HB1J000J	CHIP R 0 J 1/16W	
R336,337			RK73HB1J102J	CHIP R 1.0K J 1/16W		R515-517			RK73HB1J000J	CHIP R 0 J 1/16W	
R338			RK73HB1J473J	CHIP R 47K J 1/16W		R518			RK73HB1J101J	CHIP R 100 J 1/16W	
R339			RK73HB1J153J	CHIP R 15K J 1/16W		R519			RK73HB1J000J	CHIP R 0 J 1/16W	
R340			RK73HB1J274J	CHIP R 270K J 1/16W		R521,522			RK73HB1J104J	CHIP R 100K J 1/16W	
R341			RK73HB1J103J	CHIP R 10K J 1/16W		R524			RK73HB1J000J	CHIP R 0 J 1/16W	
R342			RK73HB1J104J	CHIP R 100K J 1/16W		R525			RK73HB1J474J	CHIP R 470K J 1/16W	
R343			RK73HB1J223J	CHIP R 22K J 1/16W		R526			RK73HB1J104J	CHIP R 100K J 1/16W	

NX-720H(G)/720H

PARTS LIST

TX-RX UNIT (X57-8230-1X)

Ref. No.	Address	New parts	Parts No.	Description	Destination	Ref. No.	Address	New parts	Parts No.	Description	Destination
R531			RK73HB1J104J	CHIP R 100K J 1/16W		R674			RK73HB1J105J	CHIP R 1.0M J 1/16W	
R532			RK73HB1J000J	CHIP R 0 J 1/16W		R677-680			RK73GB2A000J	CHIP R 0 J 1/10W	
R533,534			RK73HB1J473J	CHIP R 47K J 1/16W		R681			RK73HB1J000J	CHIP R 0 J 1/16W	
R536			RK73HB1J000J	CHIP R 0 J 1/16W		R682,683			RK73GB2A000J	CHIP R 0 J 1/10W	
R541			RK73HB1J101J	CHIP R 100 J 1/16W		R684			RK73HB1J473J	CHIP R 47K J 1/16W	
R546			RK73HB1J000J	CHIP R 0 J 1/16W		R685			RK73HB1J103J	CHIP R 10K J 1/16W	
R549			RK73HB1J103J	CHIP R 10K J 1/16W		R686			RK73HB1J223J	CHIP R 22K J 1/16W	
R550			RK73HB1J104J	CHIP R 100K J 1/16W		R687			RK73HB1J103J	CHIP R 10K J 1/16W	
R552,553			RK73HB1J472J	CHIP R 4.7K J 1/16W		R688			RK73HB1J102J	CHIP R 1.0K J 1/16W	
R554			RK73HB1J332J	CHIP R 3.3K J 1/16W		R690			RK73HB1J102J	CHIP R 1.0K J 1/16W	
R555			RK73HB1J102J	CHIP R 1.0K J 1/16W		R701			RK73HB1J103J	CHIP R 10K J 1/16W	
R556			RK73HB1J220J	CHIP R 22 J 1/16W		R702			RK73HB1J222J	CHIP R 2.2K J 1/16W	
R557			RK73HB1J153J	CHIP R 15K J 1/16W		R703			RK73HB1J563J	CHIP R 56K J 1/16W	
R558			RK73HB1J220J	CHIP R 22 J 1/16W		R704			RK73HB1J153J	CHIP R 15K J 1/16W	
R559			RK73HB1J392J	CHIP R 3.9K J 1/16W		R705			RK73HB1J683J	CHIP R 68K J 1/16W	
R560			RK73HB1J474J	CHIP R 470K J 1/16W		R706			RK73HB1J823J	CHIP R 82K J 1/16W	
R561			RK73HB1J000J	CHIP R 0 J 1/16W	HG	R707			RK73HB1J182J	CHIP R 1.8K J 1/16W	
R566			RK73HB1J474J	CHIP R 470K J 1/16W		R708			RK73HB1J333J	CHIP R 33K J 1/16W	
R567			RK73HB1J102J	CHIP R 1.0K J 1/16W		R709			RK73HB1J104J	CHIP R 100K J 1/16W	
R568,569			RK73HB1J000J	CHIP R 0 J 1/16W		R710			RK73HB1J563J	CHIP R 56K J 1/16W	
R571,572			RK73HB1J000J	CHIP R 0 J 1/16W		R711			RK73HB1J104J	CHIP R 100K J 1/16W	
R580			RK73HB1J332J	CHIP R 3.3K J 1/16W		R712			RK73HB1J473J	CHIP R 47K J 1/16W	
R581			RK73HB1J104J	CHIP R 100K J 1/16W		R713			RK73HB1J223J	CHIP R 22K J 1/16W	
R583			RK73HB1J104D	CHIP R 100K D 1/16W		R716			RK73HB1J104J	CHIP R 100K J 1/16W	
R584			RK73HB1J473J	CHIP R 47K J 1/16W		R720			RK73HB1J334J	CHIP R 330K J 1/16W	
R599			RK73HB1J104J	CHIP R 100K J 1/16W		R722			RK73HB1J104J	CHIP R 100K J 1/16W	
R603			RK73HB1J474J	CHIP R 470K J 1/16W		R724			RK73HB1J473J	CHIP R 47K J 1/16W	
R606			RK73HB1J105J	CHIP R 1.0M J 1/16W		R728			RK73HB1J393J	CHIP R 39K J 1/16W	
R610			RK73HB1J474J	CHIP R 470K J 1/16W		R730			RK73HB1J473J	CHIP R 47K J 1/16W	
R611			RK73HB1J103J	CHIP R 10K J 1/16W		R738			RK73HB1J103J	CHIP R 10K J 1/16W	
R612			RK73HB1J102J	CHIP R 1.0K J 1/16W		R739			RK73HB1J334J	CHIP R 330K J 1/16W	
R613			RK73HB1J103J	CHIP R 10K J 1/16W		R741			RK73HB1J470J	CHIP R 47 J 1/16W	
R614			RK73HB1J000J	CHIP R 0 J 1/16W		R742			RK73HB1J332J	CHIP R 3.3K J 1/16W	
R615			RK73HB1J472J	CHIP R 4.7K J 1/16W		R743			RK73HB1J471J	CHIP R 470 J 1/16W	
R616			RK73HB1J474J	CHIP R 470K J 1/16W		R745			RK73HB1J104J	CHIP R 100K J 1/16W	
R617			RK73HB1J000J	CHIP R 0 J 1/16W		R746			RK73HB1J103J	CHIP R 10K J 1/16W	
R620			RK73HB1J103J	CHIP R 10K J 1/16W		R748,749			RK73HB1J104J	CHIP R 100K J 1/16W	
R621-624			RK73HB1J104J	CHIP R 100K J 1/16W		R750			RK73HB1J393J	CHIP R 39K J 1/16W	
R626			RK73HB1J101J	CHIP R 100 J 1/16W		R751			RK73HB1J104J	CHIP R 100K J 1/16W	
R627,628			RK73HB1J682J	CHIP R 6.8K J 1/16W		R752			RK73HB1J394J	CHIP R 390K J 1/16W	
R629			RK73HB1J104J	CHIP R 100K J 1/16W		R754			RK73HB1J563J	CHIP R 56K J 1/16W	
R631			RK73HB1J104J	CHIP R 100K J 1/16W		R755			RK73HB1J224J	CHIP R 220K J 1/16W	
R632			RK73GB2A000J	CHIP R 0 J 1/10W		R756			RK73HB1J102J	CHIP R 1.0K J 1/16W	
R634			RK73HB1J101J	CHIP R 100 J 1/16W		R769			RK73HB1J684J	CHIP R 680K J 1/16W	
R635			RK73GB2A000J	CHIP R 0 J 1/10W		R770,771			RK73HB1J473J	CHIP R 47K J 1/16W	
R636			RK73HB1J474J	CHIP R 470K J 1/16W		R772			RK73HB1J153J	CHIP R 15K J 1/16W	
R637,638			RK73FB2B102J	CHIP R 1.0K J 1/8W		R773			RK73HB1J000J	CHIP R 0 J 1/16W	
R639			RK73HB1J471J	CHIP R 470 J 1/16W		R775			RK73HB1J562J	CHIP R 5.6K J 1/16W	
R641			RK73GB2A000J	CHIP R 0 J 1/10W		R776,777			RK73HB1J103J	CHIP R 10K J 1/16W	
R643			RK73GB2A000J	CHIP R 0 J 1/10W		R778			RK73HB1J273J	CHIP R 27K J 1/16W	
R657			RK73HB1J472J	CHIP R 4.7K J 1/16W		R779			RK73HB1J223J	CHIP R 22K J 1/16W	
R658,659			RK73GB2A000J	CHIP R 0 J 1/10W		R783			RK73HB1J154J	CHIP R 150K J 1/16W	
R661			RK73HB1J473J	CHIP R 47K J 1/16W		R785			RK73HB1J000J	CHIP R 0 J 1/16W	
R662			RK73GB2A000J	CHIP R 0 J 1/10W		R786			RK73HB1J563J	CHIP R 56K J 1/16W	
R664			RK73GB2A000J	CHIP R 0 J 1/10W		R787			RK73HB1J123J	CHIP R 12K J 1/16W	
R667			RK73GB2A101J	CHIP R 100 J 1/10W		R796,797			RK73GB2A000J	CHIP R 0 J 1/10W	
R668			RK73HB1J471J	CHIP R 470 J 1/16W		R800			RK73HB1J104J	CHIP R 100K J 1/16W	
R669-671			RK73HB1J101J	CHIP R 100 J 1/16W		R801			RK73HB1J102J	CHIP R 1.0K J 1/16W	H
R672			RK73GB2A471J	CHIP R 470 J 1/10W		R801,802			RK73HB1J102J	CHIP R 1.0K J 1/16W	HG
R673			RK73HB1J104J	CHIP R 100K J 1/16W		R803,804			RK73HB1J472J	CHIP R 4.7K J 1/16W	

NX-720H(G)/720H

PARTS LIST

TX-RX UNIT (X57-8230-1X)

Ref. No.	Address	New parts	Parts No.	Description	Destination	Ref. No.	Address	New parts	Parts No.	Description	Destination
R805,806			RK73HB1J102J	CHIP R 1.0K J 1/16W		D703,704			DA3S101F	DIODE	
R810			RK73HB1J123J	CHIP R 12K J 1/16W		D705,706			EMZ6.8N	ZENER DIODE	
R811			RK73HB1J103J	CHIP R 10K J 1/16W		D801,802			RN142S	DIODE	HG
R813			RK73HB1J102J	CHIP R 1.0K J 1/16W		IC1			TA7808F-NQ	ANALOGUE IC	
R814			RK73HB1J391J	CHIP R 390 J 1/16W		IC2			SKY72310-362	MOS-IC	
R816			RK73HB1J123J	CHIP R 12K J 1/16W		IC3			BD7542FVM	MOS-IC	
R818			RK73HB1J332J	CHIP R 3.3K J 1/16W		IC102	2B		RA60H1317M1A	POWER MODULE	
R819,820			RK73HB1J222J	CHIP R 2.2K J 1/16W		IC103			NJM12904RB1	MOS-IC	
R821,822			RK73GB2A000J	CHIP R 0 J 1/10W		IC201			BD7542FVM	MOS-IC	
R823			RK73HB1J123J	CHIP R 12K J 1/16W		IC301			TC7SH08FU-F	MOS-IC	
R824			RK73HB1J332J	CHIP R 3.3K J 1/16W		IC303			TK10931VTL-G	ANALOGUE IC	
R825			RK73HB1J000J	CHIP R 0 J 1/16W		IC304			BU7445HFV	MOS-IC	
R826			RK73HB1J103J	CHIP R 10K J 1/16W		IC401			XC6209B332M-G	MOS-IC	
R827			RK73HB1J823J	CHIP R 82K J 1/16W		IC402			XC6118C23CMR	MOS-IC	
R831,832			RK73HB1J683J	CHIP R 68K J 1/16W		IC404			XC6209B502P-G	MOS-IC	
R833			RK73HB1J101J	CHIP R 100 J 1/16W		IC405			LT1616ES6-PBF	ANALOGUE IC	
R834			RK73HB1J102J	CHIP R 1.0K J 1/16W		IC406			XC6209B332M-G	MOS-IC	
R835			RK73HB1J100J	CHIP R 10 J 1/16W	HG	IC407			NJM2878F4-33	ASIC	
R837			RK73HB1J562J	CHIP R 5.6K J 1/16W		IC408			XC6205B152P-G	MOS-IC	
R838			RK73HB1J332J	CHIP R 3.3K J 1/16W		IC409			NJM2878F4-33	BI-POLAR IC	
R839			RK73EB2E100J	CHIP R 10 J 1/4W	HG	IC501			Note1(BGA)	ROM IC	
R842-844			RK73HB1J000J	CHIP R 0 J 1/16W	HG	IC502			Note1(BGA)	DSP IC	
R845			RK73HB1J101J	CHIP R 100 J 1/16W		IC503			Note1(BGA)	SRAM IC	
R846,847			RK73HB1J223J	CHIP R 22K J 1/16W		IC504			BD5329FVE	MOS-IC	
D2			DZ2J091(M)	ZENER DIODE		IC506			SM5023CNDH-G	MOS-IC	
D4 ,5			1SV325F	VARIABLE CAPACITANCE DIODE		IC507			Note1(BGA)	MOS-IC	
D6			1SV305F	VARIABLE CAPACITANCE DIODE		IC508			TC7SH08FU-F	MOS-IC	
D7 -12			1SV282-F	VARIABLE CAPACITANCE DIODE		IC509			TC7WH126FU-F	MOS-IC	
D13			1SV305F	VARIABLE CAPACITANCE DIODE		IC511			TC74VHCT244AFK	MOS-IC	
D14			DA2S101	DIODE		IC512			TC7WBD125AFK	MOS-IC	
D15			1SV278F	VARIABLE CAPACITANCE DIODE		IC513			TC7WT126FU-F	MOS-IC	
D16 ,17			RKS151KJ	DIODE		IC514			TC7WH126FU-F	MOS-IC	
D101			DZ2J056(M)	ZENER DIODE		IC515			PCA9535BS	MOS-IC	
D102			DA3S101F	DIODE		IC516			ADM202EARNZ	MOS-IC	
D103			RKS151KJ	DIODE		IC701			BU7462NUX	MOS-IC	
D104,105			HSB88AS-E	DIODE		IC702			BU7242NUX	MOS-IC	
D106			DZ2J056(M)	ZENER DIODE		IC703			BU7462NUX	MOS-IC	
D107			RKP351KW-1P2	DIODE		IC705			BU7242NUX	MOS-IC	
D108,109			RB520SM-30	DIODE		IC711			BU7462NUX	MOS-IC	
D110,111			L407CDB	DIODE		IC712			R2A20178NP	DAC IC	
D112-114			RN142S	DIODE		IC713			TC7W53FK(F)	MOS-IC	
D202,203			1SV283F	VARIABLE CAPACITANCE DIODE		IC714	2A		LA4600	BI-POLAR IC	
D204-207			1SV325F	VARIABLE CAPACITANCE DIODE		IC716			TC7WT126FU-F	MOS-IC	
D401			DZ2J180(M)	ZENER DIODE		IC801			TC7WH126FU-F	MOS-IC	HG
D403			RB520SM-30	DIODE		Q1			LTC014EEBFS8	TRANSISTOR	
D404			DA2S101	DIODE		Q2			2SJ648-A	FET	
D405			DB2S310	DIODE		Q4			2SC5383-T111	TRANSISTOR	
D406			DB22306	DIODE		Q5			2SC5108(Y)F	TRANSISTOR	
D407			RB520SM-30	DIODE		Q6 ,7			MCH3914(7)-H	FET	
D408,409			DB2S310	DIODE		Q8			EM6M1	FET	
D410			22ZR-10D	SURGE ABSORBER		Q9			SSM3J15FS	FET	
D411			DSA3A1	DIODE		Q10 ,11			2SC5108(Y)F	TRANSISTOR	
D502			DB2S310	DIODE		Q102			2SC3357-A	TRANSISTOR	
D504			DB2S310	DIODE		Q105			FK330301	FET	
D505-510			MC2850	DIODE		Q106			EMD5	TRANSISTOR	
D511-513			DB2S310	DIODE		Q201			3SK318	FET	
D601			DB2S310	DIODE		Q202			NESG240034	TRANSISTOR	
D701			DA2S101	DIODE		Q303			2SC5108(Y)F	TRANSISTOR	
D702			1SS422	DIODE		Q305			2SC4215-F(Y)	TRANSISTOR	

If a part reference number is listed in a shaded box, that part does not come with the PCB.

Note 1: This part cannot be replaced. Therefore, this part is not supplied as a service part.

NX-720H(G)/720H

PARTS LIST

TX-RX UNIT (X57-8230-1X)

Ref. No.	Address	New parts	Parts No.	Description	Destination	Ref. No.	Address	New parts	Parts No.	Description	Destination
Q401			LTC014EEBFS8	TRANSISTOR							
Q402			2SA1955A-F	TRANSISTOR							
Q403			MTM981400BF	FET							
Q404			2SA1955A-F	TRANSISTOR							
Q405			LTC014EEBFS8	TRANSISTOR							
Q407			FK330301	FET							
Q408			EMD5	TRANSISTOR							
Q409			EM6M1	FET							
Q410			2SA1955A-F	TRANSISTOR							
Q411,412			LTC014EEBFS8	TRANSISTOR							
Q414			EMD9	TRANSISTOR							
Q415			2SC4738(GR)F	TRANSISTOR							
Q416			2SA1832(GR)F	TRANSISTOR							
Q417			EMD5	TRANSISTOR							
Q418			LTC014EEBFS8	TRANSISTOR							
Q501			FK330301	FET							
Q502			LTC014TEBFS8	TRANSISTOR							
Q503			MTM981400BF	FET							
Q504			LTC014TEBFS8	TRANSISTOR							
Q701			FK330301	FET							
Q702			KTC4075E(Y,GR)	TRANSISTOR							
Q703			2SA1832(GR)F	TRANSISTOR							
Q704			2SC4738(GR)F	TRANSISTOR							
Q705,706			SSM3J15FS	FET							
Q708			LTC014EEBFS8	TRANSISTOR							
Q709			SSM6N37FE	FET							
TH1			ERTJ0EV104H	THERMISTOR(100K)							
TH101			ERTJ0EV104H	THERMISTOR(100K)							
TH103			ERTJ0EV104H	THERMISTOR(100K)							
TH701			ERTJ0EV104H	THERMISTOR(100K)							
A801			W02-3768-05	GPS MODULE	HG						