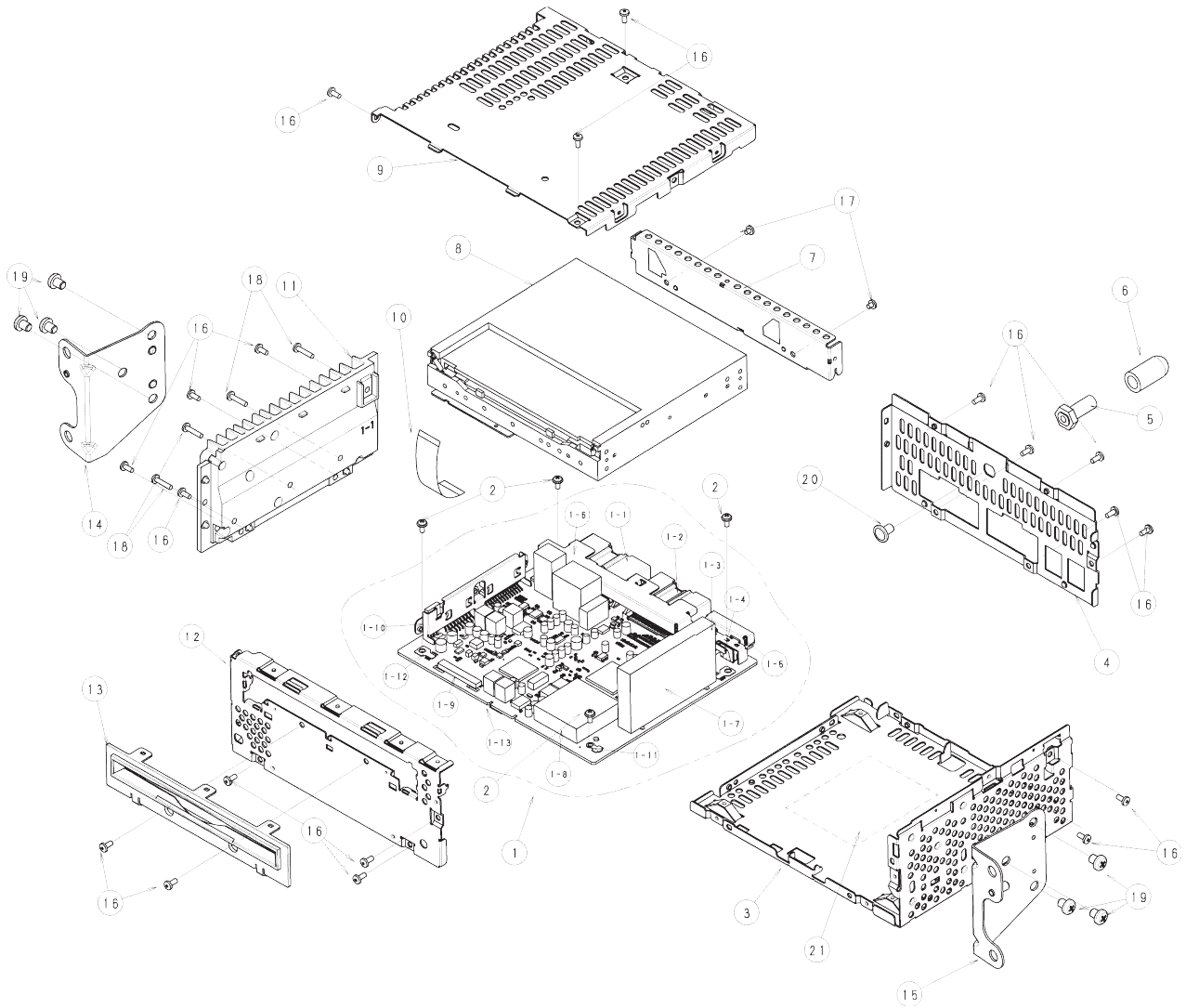


EXPLODED VIEW/PARTS LIST



NO.	PART NO.	DESCRIPTION	Q'TY	NO.	PART NO.	DESCRIPTION	Q'TY
1	-----	MAIN-PWB-ASSY(3458B7-75)	1	5	716-3607-00	REAR BOLT	1
1-1	074-4047-00	OUTLET SOCKET	1	6	345-6054-00	RUBBER PART	1
1-2	074-4048-00	OUTLET SOCKET	1	7	331-4824-00	MECH-BRKT	1
1-3	092-2233-01	ANT-RECEPT(AM/FM)	1	8	929-5034-80	CD-MECH-MODULE	1
1-4	092-2233-00	ANT-RECEPT(SIRI)	1	9	303-0497-00	UPPER-CVR	1
1-5	331-4827-01	ANT-HOLDER	1	10	816-4062-55	FLAT WIRE	1
1-6	331-4826-00	CON-HOLDER	1	11	313-2093-00	HEAT SINK	1
1-7	941-0240-22	TUNER PACK(SIRI)	1	12	309-1905-01	FRONT PLATE	1
1-8	941-0239-52	TUNER PACK(HD)	1	13	335-8684-01	DISC GUIDE	1
1-9	074-2216-77	OUTLET SOCKET	1	14	300-8241-01	MTG-BRKT-ASSY L	1
1-10	331-4825-00	IC-HOLDER	1	15	300-8242-01	MTG-BRKT-ASSY R	1
1-11	073-0768-90	TERMINAL	2	16	714-2606-8B	MACHINE SCREW	19
1-12	073-0762-90	TERMINAL	2	17	714-2603-89	MACHINE SCREW	2
1-13	076-6000-58	PLUG	1	18	714-2612-8H	MACHINE SCREW	4
2	716-0878-50	SPECIAL SCREW	4	19	714-5006-8B	MACHINE SCREW	6
3	304-0492-01	LOWER CASE	1	20	716-0678-50	SPECIAL SCREW	1
4	307-0743-00	REAR-CVR	1	21	276-0919-21	SETPLATE	1

ELECTRICAL PARTS LIST

Main PWB(B1) section

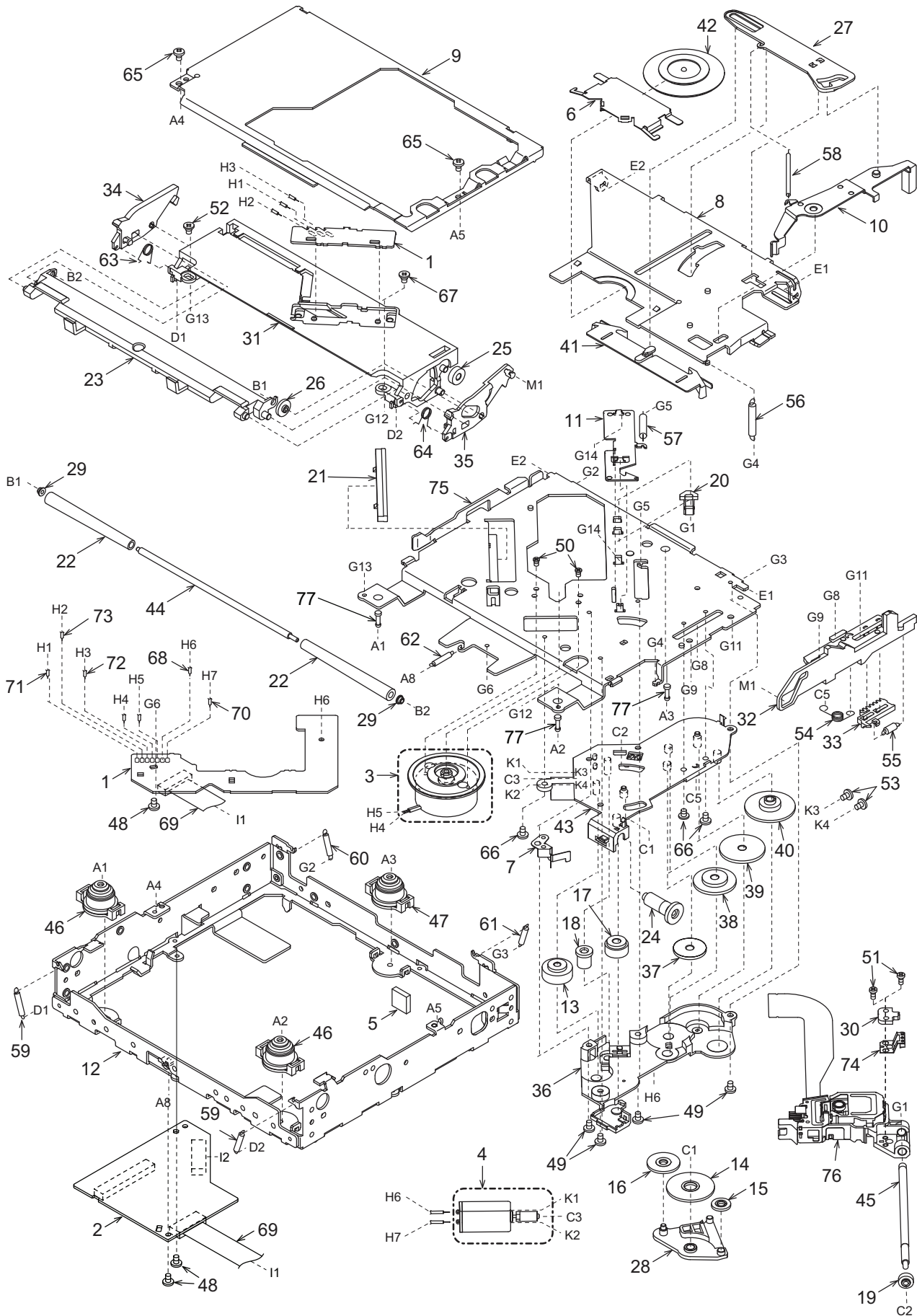
REF No.	PART No.	DESCRIPTION	REF No.	PART No.	DESCRIPTION	REF No.	PART No.	DESCRIPTION
ANT101	092-2233-01	ANT-RECEPT	C169	168-1042-78	16V 0.1uF K	C266	-----	(NU)
ANT102	092-2233-00	ANT-RECEPT	C170	165-4763-15	6.3V 47uF	C267	042-1678-00	16V 470uF
BL101	941-0240-22	TUNER(SIRI)	C171	046-1022-58	50V 1000pF	C268	-----	(NU)
BL102	941-0239-52	TUNER(HD)	C172	-----	(NU)	C269	-----	(NU)
C101	045-2201-50	22pFJ CH	C180	-----	(NU)	C271	-----	(NU)
C102	046-1022-58	50V 1000pF	C181	-----	(NU)	C272	-----	(NU)
C103	046-1022-58	50V 1000pF	C191	-----	(NU)	C301	166-1011-50	100pF CH
C104	045-4796-50	4.7pFJ CH	C201	165-4753-55	35V 4.7uF	C302	168-1042-78	16V 0.1uF K
C106	045-1201-50	12pFJ CH	C202	165-4753-55	35V 4.7uF	C303	-----	(NU)
C107	046-1042-78	16V 0.1uF	C203	-----	(NU)	C304	-----	(NU)
C108	045-1011-50	100pFJ CH	C204	-----	(NU)	C305	165-4753-55	35V 4.7uF
C109	045-4701-50	47pF CH	C205	168-1052-78	16V 1uF K	C306	168-1042-78	16V 0.1uF K
C110	046-1022-58	50V 1000pF	C206	046-1042-78	16V 0.1uF	C307	042-0643-52	6.3V 1000uF
C111	-----	(NU)	C207	046-1042-78	16V 0.1uF	C308	042-0643-52	6.3V 1000uF
C112	045-1801-50	18pFJ CH	C208	046-1042-78	16V 0.1uF	C309	165-4753-55	35V 4.7uF
C113	-----	(NU)	C209	046-1042-78	16V 0.1uF	C312	168-1042-78	16V 0.1uF K
C114	-----	(NU)	C210	168-1042-78	16V 0.1uF K	C313	168-1022-55	1000pF K
C115	045-2701-50	27pFJ CH	C211	046-2232-78	0.022uF K B	C314	168-1052-78	16V 1uF K
C116	-----	(NU)	C212	046-2232-78	0.022uF K B	C315	168-1032-55	0.01uF K
C117	-----	(NU)	C213	046-2232-78	0.022uF K B	C316	168-1042-78	16V 0.1uF K
C118	046-3922-58	3900pF K B	C214	046-2232-78	0.022uF K B	C391	-----	(NU)
C119	046-1022-58	50V 1000pF	C215	046-1042-78	16V 0.1uF	C392	-----	(NU)
C120	-----	(NU)	C216	168-2232-55	0.022uF K	C401	043-0603-90	16V 10uF
C121	168-1042-78	16V 0.1uF K	C217	166-9097-50	9pF +/-0.5pF CH	C402	168-1042-78	16V 0.1uF K
C122	046-1032-78	16V 0.01uF	C218	168-1042-78	16V 0.1uF K	C403	165-2263-15	6.3V 22uF
C123	-----	(NU)	C219	166-9097-50	9pF +/-0.5pF CH	C404	043-0563-90	16V 47uF
C124	046-1032-78	16V 0.01uF	C220	-----	(NU)	C405	168-1042-78	16V 0.1uF K
C125	-----	(NU)	C221	165-4753-55	35V 4.7uF	C406	165-1063-35	16V 10uF
C126	-----	(NU)	C222	168-1042-78	16V 0.1uF K	C407	168-1042-78	16V 0.1uF K
C127	-----	(NU)	C223	165-2263-15	6.3V 22uF	C408	168-1042-78	16V 0.1uF K
C128	-----	(NU)	C224	168-4732-78	0.047uF K	C409	168-1042-78	16V 0.1uF K
C129	-----	(NU)	C225	-----	(NU)	C410	165-1063-35	16V 10uF
C130	-----	(NU)	C226	045-2201-50	22pFJ CH	C411	168-4712-55	470pF K
C131	-----	(NU)	C227	-----	(NU)	C412	168-1042-78	16V 0.1uF K
C132	-----	(NU)	C228	165-1073-15	6.3V 100uF	C413	165-2263-35	16V 22uF
C133	046-3322-58	3300pF K B	C229	045-2201-50	22pFJ CH	C414	042-1767-90	16V 470uF
C134	-----	(NU)	C230	045-2201-50	22pFJ CH	C415	168-4742-78	0.47uF K
C135	046-2232-78	0.022uF K B	C231	168-1042-78	16V 0.1uF K	C416	168-1042-78	16V 0.1uF K
C136	-----	(NU)	C232	045-2201-50	22pFJ CH	C417	043-0563-90	16V 47uF
C137	-----	(NU)	C233	046-2232-78	0.022uF K B	C418	168-1042-78	16V 0.1uF K
C138	-----	(NU)	C234	-----	(NU)	C419	165-1073-35	16V 100uF
C139	046-1022-58	50V 1000pF	C235	042-0423-94	10V 4.7uF	C420	165-2263-35	16V 22uF
C140	-----	(NU)	C236	-----	(NU)	C421	-----	(NU)
C141	166-1011-50	100pF CH	C237	-----	(NU)	C422	042-0416-60	25V 10uF M TAN
C142	046-2232-78	0.022uF K B	C238	-----	(NU)	C423	168-1042-78	16V 0.1uF K
C143	165-1073-35	16V 100uF	C239	046-1042-78	16V 0.1uF	C424	042-0423-97	16V 10uF
C144	165-1073-35	16V 100uF	C240	165-2263-15	6.3V 22uF	C425	168-3332-78	0.033uF K
C145	168-2242-58	0.22uF K	C241	-----	(NU)	C426	165-2263-35	16V 22uF
C146	046-2232-78	0.022uF K B	C242	168-1042-78	16V 0.1uF K	C427	168-1042-78	16V 0.1uF K
C147	046-2232-78	0.022uF K B	C243	168-1052-78	16V 1uF K	C428	165-2263-35	16V 22uF
C148	046-2232-78	0.022uF K B	C244	-----	(NU)	C429	168-1042-78	16V 0.1uF K
C149	046-2232-78	0.022uF K B	C245	168-2232-55	0.022uF K	C430	168-1042-78	16V 0.1uF K
C150	-----	(NU)	C246	045-1011-50	100pFJ CH	C431	168-1022-55	1000pF K
C151	-----	(NU)	C247	165-4763-15	6.3V 47uF	C432	-----	(NU)
C152	-----	(NU)	C248	045-1011-50	100pFJ CH	C433	042-1767-90	16V 470uF
C153	-----	(NU)	C250	168-1042-78	16V 0.1uF K	C434	168-1042-78	16V 0.1uF K
C154	-----	(NU)	C251	168-1042-78	16V 0.1uF K	C435	168-1042-78	16V 0.1uF K
C155	-----	(NU)	C252	166-4711-50	470pF CH	C436	043-0603-90	16V 10uF
C156	-----	(NU)	C253	168-1042-78	16V 0.1uF K	C450	168-1042-78	16V 0.1uF K
C157	-----	(NU)	C254	168-2232-55	0.022uF K	C501	-----	(NU)
C158	168-1042-78	16V 0.1uF K	C255	-----	(NU)	C502	168-1042-78	16V 0.1uF K
C159	165-4763-15	6.3V 47uF	C256	-----	(NU)	C503	-----	(NU)
C160	168-1022-55	1000pF K	C257	046-3322-58	3300pF K B	C504	168-1042-78	16V 0.1uF K
C161	168-1042-78	16V 0.1uF K	C258	-----	(NU)	C505	165-2263-35	16V 22uF
C162	166-1011-50	100pF CH	C259	046-3322-58	3300pF K B	C506	165-2263-35	16V 22uF
C163	166-1011-50	100pF CH	C260	046-3322-58	3300pF K B	C507	-----	(NU)
C164	168-1042-78	16V 0.1uF K	C261	046-3322-58	3300pF K B	C508	165-2263-15	6.3V 22uF
C165	166-1011-50	100pF CH	C262	046-3322-58	3300pF K B	C509	165-2263-15	6.3V 22uF
C166	-----	(NU)	C263	046-3322-58	3300pF K B	C510	-----	(NU)
C167	-----	(NU)	C264	-----	(NU)	C511	165-1063-35	16V 10uF
C168	043-0560-90	6.3V 4.7uF	C265	-----	(NU)	C512	165-1063-35	16V 10uF

REF No.	PART No.	DESCRIPTION	REF No.	PART No.	DESCRIPTION	REF No.	PART No.	DESCRIPTION
C513	165-1063-35	16V 10uF	C623	-----	(NU)	D502	001-0529-21	MA8039-H
C514	165-1063-35	16V 10uF	C624	168-1052-78	16V 1uF K	D503	001-1304-90	DAN202U
C515	-----	(NU)	C625	168-1052-78	16V 1uF K	D504	001-0516-90	MA111
C516	-----	(NU)	C626	-----	(NU)	D601	001-0367-91	1SS226
C518	168-1222-55	1200pF K	C627	-----	(NU)	D603	001-0516-90	MA111
C520	168-1222-55	1200pF K	C628	-----	(NU)	D604	001-0516-90	MA111
C521	166-2201-50	22pF CH	C629	-----	(NU)	D605	001-0529-41	MA8075-M
C522	166-2201-50	22pF CH	C630	168-1052-78	16V 1uF K	D606	001-4313-57	HZUL6A1L-TRF E
C523	166-5611-50	560pF CH	C631	168-1052-78	16V 1uF K	D607	001-4315-51	MMBZ27VCL
C524	166-5611-50	560pF CH	C632	168-1052-78	16V 1uF K	D608	001-0516-90	MA111
C525	166-2201-50	22pF CH	C633	168-1052-78	16V 1uF K	D609	001-4315-51	MMBZ27VCL
C526	166-2201-50	22pF CH	C634	043-0548-50	10V 2.2uF	D610	001-0529-41	MA8075-M
C527	-----	(NU)	C635	043-0548-50	10V 2.2uF	D611	001-0592-00	RM4Z
C528	-----	(NU)	C636	043-0548-50	10V 2.2uF	D651	001-4315-51	MMBZ27VCL
C529	-----	(NU)	C637	043-0548-50	10V 2.2uF	D652	001-4315-51	MMBZ27VCL
C530	-----	(NU)	C638	-----	(NU)	FIL101	060-3115-52	CKD310JB1C474ST
C532	168-1222-55	1200pF K	C639	168-1042-78	16V 0.1uF K	FIL102	060-3115-52	CKD310JB1C474ST
C534	168-1222-55	1200pF K	C640	168-2242-58	0.22uF K	IC101	-----	TEF7000
C535	166-5611-50	560pF CH	C641	165-2263-15	6.3V 22uF			(thermal pad type)
C536	166-5611-50	560pF CH	C642	168-4722-55	4700pF K			(402590-051)
C537	168-1042-78	16V 0.1uF K	C643	168-1042-78	16V 0.1uF K	IC201	-----	SAF7741HV/N127
C540	168-1052-78	16V 1uF K	C644	168-6822-55	6800pF K			(DSP)
C541	043-0548-50	10V 2.2uF	C645	168-1032-55	0.01uF K			(Thermal pad type)
C542	168-1052-78	16V 1uF K	C646	166-1011-50	100pF CH	IC301	-----	(674710-051)
C544	166-1011-50	100pF CH	C647	166-1011-50	100pF CH			UPD70F3353GC(A)-
C545	168-4742-78	0.47uF K	C648	168-1042-78	16V 0.1uF K			UEU-AX
C546	168-4742-78	0.47uF K	C649	168-2222-55	2200pF K			(Software should be
C547	168-1052-78	16V 1uF K	C650	168-2222-55	2200pF K			written on production
C548	168-1052-78	16V 1uF K	C651	-----	(NU))
C549	168-1052-78	16V 1uF K	C652	-----	(NU)			(FLASH)
C550	168-1052-78	16V 1uF K	C653	-----	(NU)			(032410-052)
C551	165-4763-35	16V 47uF	C654	-----	(NU)	IC302	-----	BR24L32FV-WE2
C553	168-1222-55	1200pF K	C655	168-1022-55	1000pF K			(Software should be
C554	168-1222-55	1200pF K	C656	168-1022-55	1000pF K			written on production
C556	-----	(NU)	C657	168-2222-55	2200pF K)
C557	-----	(NU)	C658	168-2222-55	2200pF K			(EEPROM)
C558	166-2201-50	22pF CH	C659	168-2222-55	2200pF K			(942790-051)
C559	166-5611-50	560pF CH	C660	168-2222-55	2200pF K	IC303	051-5423-08	S-80929CLMC-G6Z
C560	166-5611-50	560pF CH	C661	-----	(NU)	IC304	051-7108-80	HEF4053B-MSI
C561	166-2201-50	22pF CH	C662	168-2222-55	2200pF K	IC401	051-3607-90	LM2830ZMF
C562	-----	(NU)	C663	168-2222-55	2200pF K	IC402	051-3578-90	S1167B15I6T2G
C563	-----	(NU)	C664	168-2222-55	2200pF K	IC403	051-3576-90	S1172B33E16T1G
C564	168-1052-78	16V 1uF K	C665	168-2222-55	2200pF K	IC404	051-3580-90	S1112B33PIL6STFG
C565	165-3353-65	50V 3.3uF	C666	168-2222-55	2200pF K	IC405	051-3542-90	LT3685EMS
C566	168-6842-78	0.68uF K	C667	168-2222-55	2200pF K	IC406	051-3577-90	S1206B33U3T1G
C567	043-0499-51	50V 0.1uF J	C668	168-2222-55	2200pF K	IC407	051-3510-01	TDA3681JR/N2C
C568	042-1717-00	16V 3300uF	C669	-----	(NU)	IC408	051-3218-90	TA76431F
C569	166-1007-50	10pF CH	C670	168-2222-55	2200pF K	IC501	051-3034-90	NJM4558V
C570	166-1007-50	10pF CH	C671	168-2222-55	2200pF K	IC502	051-3034-90	NJM4558V
C571	166-1007-50	10pF CH	C672	168-2222-55	2200pF K	IC503	051-3019-90	NJM2060V
C572	166-1007-50	10pF CH	C673	168-2222-55	2200pF K	IC504	-----	(NU)
C591	043-0554-90	25V 10uF	C674	168-2222-55	2200pF K	IC505	-----	(NU)
C601	168-2242-58	0.22uF K	C675	168-2222-55	2200pF K	IC506	051-2068-00	TDA7562B
C602	168-2242-58	0.22uF K	C676	-----	(NU)	IC507	051-3034-90	NJM4558V
C603	168-3912-55	390pF K	C677	-----	(NU)	IC508	051-3034-90	NJM4558V
C604	168-3912-55	390pF K	C678	-----	(NU)	IC509	051-3034-90	NJM4558V
C605	166-1811-50	180pF CH	C679	-----	(NU)	IC601	051-3034-90	NJM4558V
C606	168-3912-55	390pF K	C680	-----	(NU)	IC602	051-3034-90	NJM4558V
C607	168-3912-55	390pF K	C681	168-1022-55	1000pF K	IC603	051-6653-80	SN65HVD1040QDR
C608	168-3912-55	390pF K	C682	168-1022-55	1000pF K			Q1
C609	168-3912-55	390pF K	C683	168-1042-78	16V 0.1uF K	IC604	051-5423-08	S-80929CLMC-G6Z
C610	-----	(NU)	C685	168-4722-55	4700pF K	IC606	051-6653-80	SN65HVD1040QDR
C611	-----	(NU)	C686	166-1011-50	100pF CH			Q1
C612	166-1811-50	180pF CH	C687	166-1011-50	100pF CH	J301	076-6000-58	8P
C613	-----	(NU)	C688	-----	(NU)	J302	074-2216-77	SOCKET(27P)
C614	-----	(NU)	D101	001-9013-90	BA891	J601	074-4047-00	SOCKET(24P)
C615	165-2263-15	6.3V 22uF	D102	001-9013-90	BA891	J602	074-4048-00	SOCKET(26P)
C616	-----	(NU)	D104	001-2606-90	M1FS4	L101	010-3406-56	3.3uH J
C617	166-1811-50	180pF CH	D105	001-0529-14	MA8030-L	L102	010-3062-54	290nH
C618	-----	(NU)	D106	-----	(NU)	L103	010-3439-50	047uH
C619	165-2263-35	16V 22uF	D401	001-2649-90	RB161VA-20	L104	010-3062-54	290nH
C620	168-1042-78	16V 0.1uF K	D402	001-2620-90	RB060L-40	L105	010-3439-51	1.8uH
C621	166-1811-50	180pF CH	D403	001-1304-90	DAN202U	L106	010-3062-53	0.215uH
C622	-----	(NU)	D501	001-1304-90	DAN202U	L107	010-2290-52	330uH

REF No.	PART No.	DESCRIPTION	REF No.	PART No.	DESCRIPTION	REF No.	PART No.	DESCRIPTION
L108	010-2290-52	330uH	R136	033-0000-05	1/16W 0 ohm	R315	033-1031-15	1/16W 10k ohm J
L109	010-3440-50	6.8uH	R137	-----	(NU)	R316	033-1011-15	1/16W 100 ohm J
L110	010-2285-64	1k ohm/100MHz	R138	-----	(NU)	R317	033-1031-15	1/16W 10k ohm J
L201	010-2285-64	1k ohm/100MHz	R139	119-0000-05	1/10W 0 ohm JW	R318	033-1011-15	1/16W 100 ohm J
L202	010-2285-64	1k ohm/100MHz	R140	119-1011-15	1/10W 100 ohm	R319	119-3331-15	1/10W 33k ohm
L203	010-2285-64	1k ohm/100MHz	R141	119-1011-15	1/10W 100 ohm	R320	119-3331-15	1/10W 33k ohm
L204	010-3132-90	600 ohm/100MHz	R142	119-1011-15	1/10W 100 ohm	R321	033-1011-15	1/16W 100 ohm J
L205	010-2285-64	1k ohm/100MHz	R143	119-0000-05	1/10W 0 ohm JW	R322	033-1011-15	1/16W 100 ohm J
L206	010-2285-64	1k ohm/100MHz	R144	119-0000-05	1/10W 0 ohm JW	R323	033-1011-15	1/16W 100 ohm J
L207	010-2285-64	1k ohm/100MHz	R145	119-1021-15	1/10W 1k ohm	R324	033-1011-15	1/16W 100 ohm J
L209	010-2285-64	1k ohm/100MHz	R146	119-0000-05	1/10W 0 ohm JW	R325	119-1021-15	1/10W 1k ohm
L292	010-2285-64	1k ohm/100MHz	R147	033-0000-05	1/16W 0 ohm	R326	033-3321-15	1/16W 3.3k ohm J
L294	010-2285-64	1k ohm/100MHz	R148	033-0000-05	1/16W 0 ohm	R327	033-3321-15	1/16W 3.3k ohm J
L295	010-2285-64	1k ohm/100MHz	R191	033-4701-15	1/16W 47 ohm J	R328	119-1031-15	1/10W 10k ohm
L301	010-2285-64	1k ohm/100MHz	R201	119-1031-15	1/10W 10k ohm	R329	119-1031-15	1/10W 10k ohm
L302	010-2285-64	1k ohm/100MHz	R202	033-0000-05	1/16W 0 ohm	R330	033-1031-15	1/16W 10k ohm J
L401	010-3414-91	3.3uH	R203	033-0000-05	1/16W 0 ohm	R331	033-1031-15	1/16W 10k ohm J
L402	010-2285-64	1k ohm/100MHz	R204	119-0000-05	1/10W 0 ohm JW	R332	-----	(NU)
L403	010-3518-50	1.8uH	R205	119-0000-05	1/10W 0 ohm JW	R333	-----	(NU)
L404	010-3132-90	600 ohm/100MHz	R207	119-1031-15	1/10W 10k ohm	R334	119-1001-15	1/10W 10 ohm
L601	010-8049-00	145uH	R208	119-1031-15	1/10W 10k ohm	R335	119-1001-15	1/10W 10 ohm
Q104	125-2027-91	DTC114EUA	R211	119-0000-05	1/10W 0 ohm JW	R336	119-1041-15	1/10W 100k ohm
Q105	-----	(NU)	R212	119-2201-15	1/10W 22 ohm	R337	119-0000-05	1/10W 0 ohm JW
Q201	125-7007-90	Si5441BDC-TI-E3	R213	033-4701-15	1/16W 47 ohm J	R338	-----	(NU)
Q401	-----	(NU)	R214	033-4701-15	1/16W 47 ohm J	R350	033-6831-15	1/16W 68k ohm J
Q402	-----	(NU)	R215	033-4701-15	1/16W 47 ohm J	R351	033-6831-15	1/16W 68k ohm J
Q403	103-2394-00	2SD2394	R216	033-4701-15	1/16W 47 ohm J	R352	033-3331-15	1/16W 33k ohm J
Q404	125-9015-92	RN4902	R217	119-0000-05	1/10W 0 ohm JW	R353	033-3331-15	1/16W 33k ohm J
Q501	-----	(NU)	R218	119-0000-05	1/10W 0 ohm JW	R391	119-1031-15	1/10W 10k ohm
Q502	-----	(NU)	R219	-----	(NU)	R394	033-1021-15	1/16W 1k ohm J
Q503	-----	(NU)	R220	119-1001-15	1/10W 10 ohm	R395	033-1021-15	1/16W 1k ohm J
Q504	192-4081-00	2SC4081	R221	033-0000-05	1/16W 0 ohm	R401	-----	(NU)
Q505	125-0021-92	DTA124EUA	R222	-----	(NU)	R402	-----	(NU)
Q506	125-2045-90	IMH21 T110	R223	119-0000-05	1/10W 0 ohm JW	R403	116-0000-05	1/4W 0 ohm JW
Q507	125-2027-91	DTC114EUA	R224	119-0000-05	1/10W 0 ohm JW	R404	032-0140-50	1/10W 10k ohm F
Q508	125-9015-92	RN4902	R225	033-1011-15	1/16W 100 ohm J	R405	032-0140-50	1/10W 10k ohm F
Q601	-----	(NU)	R226	033-1011-15	1/16W 100 ohm J	R406	116-0000-05	1/4W 0 ohm JW
Q602	-----	(NU)	R227	033-0000-05	1/16W 0 ohm	R407	-----	(NU)
Q603	125-2027-91	DTC114EUA	R228	119-0000-05	1/10W 0 ohm JW	R408	-----	(NU)
Q604	192-4081-00	2SC4081	R229	-----	(NU)	R409	032-0140-88	1/10W 100k ohm F
Q605	125-2043-90	DTC143TUA	R230	033-1011-15	1/16W 100 ohm J	R410	119-3321-15	1/10W 3.3k ohm
Q606	125-9015-92	RN4902	R231	033-1011-15	1/16W 100 ohm J	R411	032-0140-00	1/10W 56k ohm F
Q607	125-2027-91	DTC114EUA	R232	033-0000-05	1/16W 0 ohm	R412	032-0140-37	1/10W 300K ohm
Q608	192-4081-00	2SC4081	R233	033-0000-05	1/16W 0 ohm	R413	119-2731-15	1/10W 27k ohm
Q609	125-2043-90	DTC143TUA	R234	033-0000-05	1/16W 0 ohm	R414	032-0140-50	1/10W 10k ohm F
R101	033-4741-15	1/16W 470k ohm J	R236	119-0000-05	1/10W 0 ohm JW	R415	119-3321-15	1/10W 3.3k ohm
R103	033-4741-15	1/16W 470k ohm J	R238	119-0000-05	1/10W 0 ohm JW	R416	032-0140-50	1/10W 10k ohm F
R104	033-3311-15	1/16W 330 ohm J	R239	119-0000-05	1/10W 0 ohm JW	R417	032-0140-54	1/10W 22k ohm F
R105	033-1811-15	1/16W 180 ohm J	R240	119-1031-15	1/10W 10k ohm	R418	119-4721-15	1/10W 4.7k ohm
R106	-----	(NU)	R241	-----	(NU)	R419	119-1031-15	1/10W 10k ohm
R107	033-5601-15	1/16W 56 ohm J	R242	119-1001-15	1/10W 10 ohm	R420	119-1231-15	1/10W 12k ohm
R109	-----	(NU)	R243	119-1011-15	1/10W 100 ohm	R421	116-2211-15	1/4W 220 ohm
R110	-----	(NU)	R244	119-0000-05	1/10W 0 ohm JW	R422	116-2211-15	1/4W 220 ohm
R111	-----	(NU)	R245	033-0000-05	1/16W 0 ohm	R423	119-9121-15	1/10W 9.1k ohm
R112	-----	(NU)	R246	119-0000-05	1/10W 0 ohm JW	R424	119-1021-15	1/10W 1k ohm
R116	119-1011-15	1/10W 100 ohm	R247	-----	(NU)	R425	119-1021-15	1/10W 1k ohm
R117	119-1011-15	1/10W 100 ohm	R248	-----	(NU)	R426	119-1021-15	1/10W 1k ohm
R118	033-1011-15	1/16W 100 ohm J	R270	033-0000-05	1/16W 0 ohm	R501	119-1021-15	1/10W 1k ohm
R120	-----	(NU)	R291	117-0000-05	1/8W 0 ohm JW	R502	119-1021-15	1/10W 1k ohm
R121	-----	(NU)	R299	-----	(NU)	R503	119-1021-15	1/10W 1k ohm
R122	119-1031-15	1/10W 10k ohm	R301	119-8221-15	1/10W 8.2k ohm	R504	119-1021-15	1/10W 1k ohm
R123	033-2231-15	1/16W 22k ohm J	R302	-----	(NU)	R505	119-1001-15	1/10W 10 ohm
R124	119-1031-15	1/10W 10k ohm	R303	-----	(NU)	R506	119-1001-15	1/10W 10 ohm
R125	119-1011-15	1/10W 100 ohm	R304	119-3321-15	1/10W 3.3k ohm	R507	-----	(NU)
R126	119-1011-15	1/10W 100 ohm	R305	119-3331-15	1/10W 33k ohm	R508	-----	(NU)
R127	119-1011-15	1/10W 100 ohm	R306	119-3331-15	1/10W 33k ohm	R509	119-1231-15	1/10W 12k ohm
R128	119-0000-05	1/10W 0 ohm JW	R307	119-6831-15	1/10W 68k ohm	R510	119-1031-15	1/10W 10k ohm
R129	033-3921-15	1/16W 3.9k ohm J	R308	119-1231-15	1/10W 12k ohm	R511	-----	(NU)
R130	-----	(NU)	R309	-----	(NU)	R512	119-1031-15	1/10W 10k ohm
R131	119-1031-15	1/10W 10k ohm	R310	119-1521-15	1/10W 1.5k ohm	R513	119-1031-15	1/10W 10k ohm
R132	033-0000-05	1/16W 0 ohm	R311	-----	(NU)	R514	-----	(NU)
R133	033-0000-05	1/16W 0 ohm	R312	119-1011-15	1/10W 100 ohm	R515	-----	(NU)
R134	033-0000-05	1/16W 0 ohm	R313	119-3331-15	1/10W 33k ohm	R516	-----	(NU)
R135	033-0000-05	1/16W 0 ohm	R314	119-4731-15	1/10W 47k ohm	R517	119-4731-15	1/10W 47k ohm

REF No.	PART No.	DESCRIPTION	REF No.	PART No.	DESCRIPTION	REF No.	PART No.	DESCRIPTION
R518	119-4731-15	1/10W 47k ohm	R577	119-2231-15	1/10W 22k ohm	R638	032-0140-56	1/10W 12k ohm F
R519	119-4731-15	1/10W 47k ohm	R578	119-1021-15	1/10W 1k ohm	R639	-----	(NU)
R520	119-4731-15	1/10W 47k ohm	R579	119-1031-15	1/10W 10k ohm	R640	-----	(NU)
R521	119-6821-15	1/10W 6.8k ohm	R580	119-3031-15	1/10W 30k ohm	R641	032-0140-56	1/10W 12k ohm F
R522	119-6821-15	1/10W 6.8k ohm	R581	119-3031-15	1/10W 30k ohm	R642	032-0140-56	1/10W 12k ohm F
R523	119-6821-15	1/10W 6.8k ohm	R582	119-1011-15	1/10W 100 ohm	R643	-----	(NU)
R524	119-6821-15	1/10W 6.8k ohm	R583	119-1011-15	1/10W 100 ohm	R644	-----	(NU)
R525	119-6821-15	1/10W 6.8k ohm	R584	032-0222-00	1/4W 330 ohm F	R645	-----	(NU)
R526	119-6821-15	1/10W 6.8k ohm	R585	032-0222-00	1/4W 330 ohm F	R646	032-0140-56	1/10W 12k ohm F
R527	-----	(NU)	R586	032-0222-00	1/4W 330 ohm F	R647	032-0140-56	1/10W 12k ohm F
R528	-----	(NU)	R587	032-0222-00	1/4W 330 ohm F	R648	032-0140-56	1/10W 12k ohm F
R529	-----	(NU)	R588	-----	(NU)	R649	119-2021-15	1/10W 2k ohm
R530	-----	(NU)	R589	-----	(NU)	R650	119-1011-15	1/10W 100 ohm
R531	-----	(NU)	R591	119-0000-05	1/10W 0 ohm JW	R651	119-1021-15	1/10W 1k ohm
R532	-----	(NU)	R592	-----	(NU)	R652	119-1021-15	1/10W 1k ohm
R533	-----	(NU)	R598	-----	(NU)	R653	119-2231-15	1/10W 22k ohm
R534	-----	(NU)	R599	-----	(NU)	R654	119-1031-15	1/10W 10k ohm
R535	-----	(NU)	R601	032-0140-50	1/10W 10k ohm F	R655	119-4721-15	1/10W 4.7k ohm
R536	-----	(NU)	R602	032-0140-50	1/10W 10k ohm F	R656	119-2031-15	1/10W 20k ohm
R537	119-6821-15	1/10W 6.8k ohm	R603	032-0140-54	1/10W 22k ohm F	R657	116-2011-15	1/4W 200 ohm
R538	119-6821-15	1/10W 6.8k ohm	R604	032-0140-50	1/10W 10k ohm F	R658	119-4711-15	1/10W 470 ohm
R539	-----	(NU)	R605	032-0140-50	1/10W 10k ohm F	R659	119-1031-15	1/10W 10k ohm
R540	-----	(NU)	R606	032-0140-50	1/10W 10k ohm F	R660	032-0166-01	1/4W 62 ohm
R541	-----	(NU)	R607	032-0140-50	1/10W 10k ohm F	R661	032-0166-01	1/4W 62 ohm
R542	-----	(NU)	R608	119-0000-05	1/10W 0 ohm JW	R662	119-1241-15	1/10W 120k ohm
R544	119-8221-15	1/10W 8.2k ohm	R609	119-0000-05	1/10W 0 ohm JW	R663	119-2041-15	1/10W 200k ohm
R545	119-8221-15	1/10W 8.2k ohm	R610	119-0000-05	1/10W 0 ohm JW	R664	119-2021-15	1/10W 2k ohm
R546	119-8221-15	1/10W 8.2k ohm	R611	119-0000-05	1/10W 0 ohm JW	R665	119-2231-15	1/10W 22k ohm
R547	119-8221-15	1/10W 8.2k ohm	R612	032-0140-54	1/10W 22k ohm F	R666	119-1031-15	1/10W 10k ohm
R548	119-3331-15	1/10W 33k ohm	R613	119-0000-05	1/10W 0 ohm JW	R667	116-2011-15	1/4W 200 ohm
R549	119-1031-15	1/10W 10k ohm	R614	032-0140-54	1/10W 22k ohm F	R668	119-4711-15	1/10W 470 ohm
R552	119-1021-15	1/10W 1k ohm	R615	119-1031-15	1/10W 10k ohm	R669	119-1031-15	1/10W 10k ohm
R553	119-1021-15	1/10W 1k ohm	R616	119-1031-15	1/10W 10k ohm	R670	119-1051-15	1/10W 1M ohm
R554	119-3331-15	1/10W 33k ohm	R617	119-0000-05	1/10W 0 ohm JW	R671	119-1051-15	1/10W 1M ohm
R555	119-3331-15	1/10W 33k ohm	R618	-----	(NU)	R681	119-1021-15	1/10W 1k ohm
R558	119-3331-15	1/10W 33k ohm	R619	-----	(NU)	R682	032-0166-01	1/4W 62 ohm
R559	119-3331-15	1/10W 33k ohm	R620	032-0140-00	1/10W 56k ohm F	R683	032-0166-01	1/4W 62 ohm
R560	119-4731-15	1/10W 47k ohm	R621	032-0140-00	1/10W 56k ohm F	R684	-----	(NU)
R561	119-4731-15	1/10W 47k ohm	R622	-----	(NU)	R687	116-2011-15	1/4W 200 ohm
R562	119-1041-15	1/10W 100k ohm	R623	-----	(NU)	R691	119-1031-15	1/10W 10k ohm
R563	119-1041-15	1/10W 100k ohm	R624	-----	(NU)	R697	116-2011-15	1/4W 200 ohm
R564	119-6821-15	1/10W 6.8k ohm	R625	-----	(NU)	SUP101	060-0122-91	DSP-141N-S00B
R565	119-6821-15	1/10W 6.8k ohm	R626	032-0140-00	1/10W 56k ohm F	TH101	002-0330-90	THERMISTOR
R566	119-6821-15	1/10W 6.8k ohm	R627	032-0140-00	1/10W 56k ohm F	TH301	-----	(NU)
R567	119-6821-15	1/10W 6.8k ohm	R628	032-0140-00	1/10W 56k ohm F	TM101	073-0762-90	TERMINAL
R568	119-4731-15	1/10W 47k ohm	R629	032-0140-00	1/10W 56k ohm F	TM102	073-0768-90	TERMINAL
R569	119-4731-15	1/10W 47k ohm	R630	119-1001-15	1/10W 10 ohm	TM103	073-0762-90	TERMINAL
R570	119-2231-15	1/10W 22k ohm	R631	-----	(NU)	TM104	073-0768-90	TERMINAL
R571	119-2231-15	1/10W 22k ohm	R632	032-0140-54	1/10W 22k ohm F	X201	061-3537-90	41.6MHz
R572	119-2231-15	1/10W 22k ohm	R633	032-0140-95	1/10W 20k ohm F	X301	060-1552-90	4MHz
R573	119-4721-15	1/10W 4.7k ohm	R634	032-0140-95	1/10W 20k ohm F	PWB	039-3790-00	PWB(WITHOUT COMPONENTS)
R574	119-2031-15	1/10W 20k ohm	R635	032-0140-95	1/10W 20k ohm F			
R575	119-2031-15	1/10W 20k ohm	R636	032-0140-95	1/10W 20k ohm F			
R576	119-2231-15	1/10W 22k ohm	R637	-----	(NU)			

EXPLODED VIEW/PARTS LIST



NO.	PART NO.	DESCRIPTION	Q'TY
1	-----	SENSOR PWB	1
2	-----	CD PWB	1
3	SMA-182-100	SPINDLE MOTOR-ASSY	1
4	SMA-197-100	SLED MOTOR-ASSY	1
5	345-5476-20	CUSHION RUBBER	1
6	620-1023-23	CLAMPER PLATE	1
7	620-1026-21	SPRING PLATE	1
8	620-1596-23	CLAMPER LINK	1
9	620-1862-20	UPPER CHASSIS	1
10	620-1752-20	SENSOR ARM	1
11	620-1753-20	ID-LOCK PLATE	1
12	620-1868-20	LOWER CHASSIS	1
13	621-0608-21	SECOND GEAR	1
14	621-0609-21	BASE GEAR	1
15	621-0610-21	IDLE GEAR A	1
16	621-0611-21	IDLE GEAR B	1
17	621-0612-22	ROLLER GEAR A	1
18	621-0620-20	THREAD GEAR A	1
19	621-0621-20	THREAD GEAR B	1
20	621-0623-24	LS-HOLDER	1
21	621-0624-22	GUIDE RAIL	1
22	621-0711-21	LOADING ROLLER	2
23	621-0718-21	ROLLER GUIDE	1
24	621-0719-20	ROLLER GEAR B	1
25	621-0720-20	ROLLER GEAR C	1
26	621-0721-20	ROLLER GEAR D	1
27	621-0728-20	STOPPER LINK	1
28	621-1719-21	IDLE CASE	1
29	621-1726-21	ROLLER SLEEVE	2
30	621-1729-21	SH-BASE	1
31	621-1742-20	UPPER GUIDE	1
32	621-1743-20	SHIFT LEVER	1
33	621-1744-20	RACK	1
34	621-1745-20	LOCK ARM L	1
35	621-1746-20	LOCK ARM R	1
36	621-1747-20	GEAR COVER	1
37	621-1748-20	POWER GEAR A	1
38	621-1749-20	POWER GEAR B	1
39	621-1750-20	POWER GEAR C	1

NO.	PART NO.	DESCRIPTION	Q'TY
40	621-1751-20	POWER GEAR D	1
41	621-1752-20	DISC STOPPER	1
42	621-1753-20	CLAMPER RING	1
43	621-1754-20	GEAR BASE	1
44	622-1571-21	ROLLER SHAFT	1
45	624-3059-00	LEAD SCREW	1
46	629-0086-20	DAMPER F	2
47	629-0087-20	DAMPER R	1
48	716-1507-01	SCREW(M2x3)	3
49	716-1670-01	SCREW(M2x4)	4
50	716-1733-01	SCREW(M1.7x2.3)	2
51	716-3469-01	SCREW(1.7x4)	2
52	716-3473-01	SCREW(M2x3)	1
53	716-3551-00	SCREW(M1.4x2.5)	2
54	750-7865-20	SHIFT SPRING	1
55	750-7866-20	RACK SPRING	1
56	750-7867-20	CLAMPER SPRING	1
57	750-7868-20	ID-LOCK SPRING	1
58	750-7869-20	SENSOR SPRING	1
59	750-7870-20	DR-SPRING F	2
60	750-7871-20	DR-SPRING RA	1
61	750-7872-20	DR-SPRING RB	1
62	750-7873-20	DR-SPRING C	1
63	750-6797-20	ROLLER SPRING L	1
64	750-6798-20	ROLLER SPRING R	1
65	714-2003-8B	SCREW(M2x3)	2
66	780-2025-00	SCREW(M2x2.5)	3
67	781-1730-00	SCREW(M1.7x3)	1
68	803-4906-60	VINYL-COAT-WIRE(ORG)	1
69	816-2542-06	FLAT WIRE	1
70	816-2590-00	VINYL-COAT-WIRE(GRN)	1
71	816-2591-00	VINYL-COAT-WIRE(YEL)	1
72	816-2592-00	VINYL-COAT-WIRE(BLUE)	1
73	816-2593-00	VINYL-COAT-WIRE(PUR)	1
74	966-1722-21	SH-RACK-ASSY	1
75	620-1866-20	DRIVE-PLATE	1
76	969-0075-31	PICKUP-ASSY	1
77	622-1570-21	DAMPER PIN	3

ELECTRICAL PARTS LIST

CD PWB(BM1) section

REF No.	PART No.	DESCRIPTION	REF No.	PART No.	DESCRIPTION	REF No.	PART No.	DESCRIPTION
C2	168-1052-78	16V 1uF K	C43	168-1042-78	16V 0.1uF K	R4	119-1001-15	1/10W 10 ohm
C3	165-1073-35	16V 100uF	C44	168-1042-78	16V 0.1uF K	R5	033-1541-15	1/16W 150k ohm J
C4	168-1042-78	16V 0.1uF K	C46	046-1522-58	1500pF K B	R6	033-1031-15	1/16W 10k ohm J
C6	168-1052-78	16V 1uF K	C47	046-3322-58	3300pF K B	R7	033-2221-15	1/16W 2.2k ohm J
C7	042-1710-90	6.3V 100uF	C48	046-1032-78	16V 0.01uF	R8	033-1831-15	1/16W 18k ohm J
C8	168-1052-78	16V 1uF K	C49	168-1042-78	16V 0.1uF K	R9	033-1231-15	1/16W 12k ohm J
C9	046-4712-58	470pF K B	C54	168-1532-55	0.015uF K	R10	033-1051-15	1/16W 1M ohm J
C10	046-4732-78	16V 0.047uF	C55	168-1042-78	16V 0.1uF K	R11	033-2211-15	1/16W 220 ohm J
C11	046-4712-58	470pF K B	C56	168-1042-78	16V 0.1uF K	R12	119-0000-05	1/10W 0 ohm JW
C12	046-4732-78	16V 0.047uF	C58	045-6097-50	6 +/-0.5pF CH	R19	033-0000-05	1/16W 0 ohm
C14	168-1042-78	16V 0.1uF K	C59	045-4701-50	47pF CH	R22	033-2231-15	1/16W 22k ohm J
C15	045-1201-50	12pFJ CH	C60	168-1042-78	16V 0.1uF K	R23	033-4731-15	1/16W 47k ohm J
C16	045-1201-50	12pFJ CH	C63	168-1042-78	16V 0.1uF K	R25	033-1041-15	1/16W 100k ohm J
C17	168-1042-78	16V 0.1uF K	C64	165-4763-15	6.3V 47uF	R26	033-0000-05	1/16W 0 ohm
C18	168-2222-55	2200pF K	C66	168-1042-78	16V 0.1uF K	R27	033-4731-15	1/16W 47k ohm J
C19	168-1042-78	16V 0.1uF K	C68	168-1042-78	16V 0.1uF K	R29	033-5621-15	1/16W 5.6k ohm J
C20	168-1042-78	16V 0.1uF K	C69	042-1710-90	6.3V 100uF	R30	033-2231-15	1/16W 22k ohm J
C22	046-6822-58	6800pF K B	C74	165-4763-15	6.3V 47uF	R31	033-4731-15	1/16W 47k ohm J
C24	046-3332-78	0.033uF K B	C75	168-1042-78	16V 0.1uF K	R32	033-3341-15	1/16W 330k ohm J
C25	046-3332-78	0.033uF K B	C77	046-1042-78	16V 0.1uF	R36	033-1011-15	1/16W 100 ohm J
C26	043-0570-90	16V 2.2uF K	C81	046-1042-78	16V 0.1uF	R38	033-1041-15	1/16W 100k ohm J
C28	043-0570-90	16V 2.2uF K	CCT1	050-0140-60	1/32W 33k ohm x4J	R39	033-0000-05	1/16W 0 ohm
C29	168-1042-78	16V 0.1uF K	CCT2	050-0140-64	1/32W 100k ohm x4J	R41	033-0000-05	1/16W 0 ohm
C30	168-1042-78	16V 0.1uF K	D1	001-1305-90	DAN217U-T106	R42	033-0000-05	1/16W 0 ohm
C31	168-1042-78	16V 0.1uF K	IC1	051-6733-10	TC94A70FG-005	R45	033-1021-15	1/16W 1k ohm J
C33	168-1042-78	16V 0.1uF K	IC2	051-6101-90	BD8226EFV	R68	033-1021-15	1/16W 1k ohm J
C34	168-1042-78	16V 0.1uF K	IC3	051-3579-90	S1112B15MCL6ATFG	R91	119-0000-05	1/10W 0 ohm JW
C36	168-1042-78	16V 0.1uF K	IC4	051-3516-90	S-1132B33-U5T1G	R92	119-0000-05	1/10W 0 ohm JW
C37	046-5622-58	5600pF K B	J1	074-2215-65	15P	R93	119-0000-05	1/10W 0 ohm JW
C38	045-6801-50	68pFJ CH	J2	074-2215-60	10P	R94	119-0000-05	1/10W 0 ohm JW
C39	168-1042-78	16V 0.1uF K	J3	074-2216-77	SOCKET(27P)	TM1	073-0768-90	TERMINAL
C40	046-1532-78	0.015uF K B	Q1	190-2060-00	2SA2060	X1	061-3572-90	16.92MHZ
C41	168-1042-78	16V 0.1uF K	R1	119-2211-15	1/10W 220 ohm	PWB101	039-3536-00	PWB(WITHOUT COMPONENTS)
C42	046-1032-78	16V 0.01uF	R2	117-6811-15	1/10W 680 ohm			

SENSOR PWB(BM2) section

REF No.	PART No.	DESCRIPTION	REF No.	PART No.	DESCRIPTION	REF No.	PART No.	DESCRIPTION
D1	001-7058-90	AN1105W-RR	Q1	060-4015-91	PS1192HB-32-TR	S2	013-7413-50	LIMIT
D2	001-7058-90	AN1105W-RR	Q2	060-4015-91	PS1192HB-32-TR	PWB	039-2675-20	PWB(WITHOUT COMPONENTS)
J1	074-2215-60	SOCKET (10P)	S1	013-7414-50	CHUCKING			