



MODEL	MARK	MODEL	MARK	MODEL	MARK
KDC-358U	K1	KDC-X398	K0	KMR-D358	K2

Safe	Symbol No.	Parts No.	Parts Name	Description	QTY	Local
------	------------	-----------	------------	-------------	-----	-------

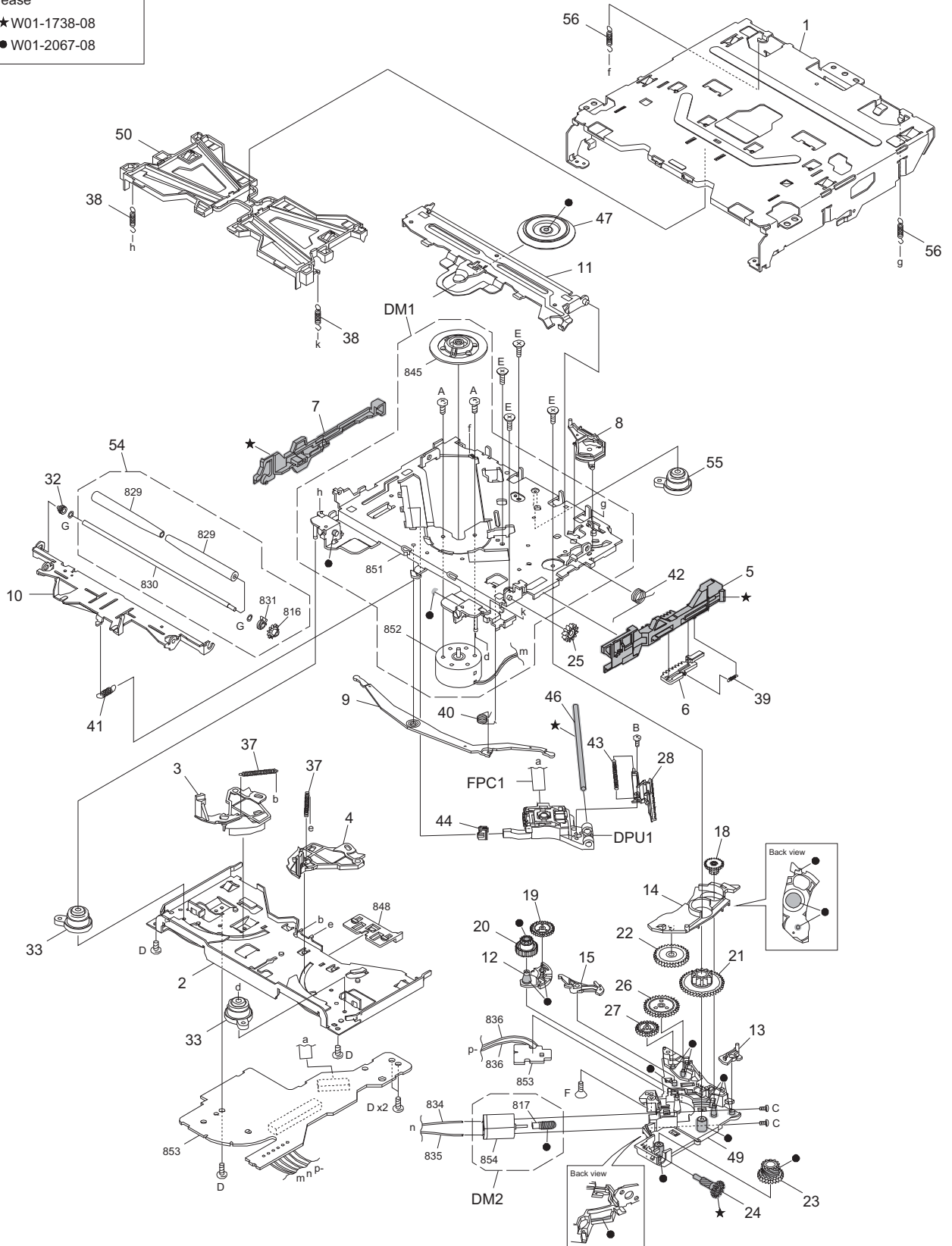
EXPLODED VIEW (UNIT) <200>

	DC1	QAM1341-001	DC CORD		1	K1,K0
	DC1	QAM1399-001	DC CORD		1	K2
	DME1	X92-6820-00	MECHANISM ASSY		1	
△	F901	QMFZ064-100-J1	FUSE	10A	1	
	FC1	WJT0335-001A-E	E-CARD WIRE		1	
	LCD1	QLD0727-001	LCD MODULE		1	
	PA1	GE20354-008A	FRONT PANEL ASSY		1	K1
	PA1	GE20354-007A	FRONT PANEL ASSY		1	K0
	PA1	GE20354-009A	FRONT PANEL ASSY		1	K2
	RC1	QAL1303-004	REMOTE CONTROL UNIT (RC-406)		1	K1,K0
	A	QYSDSF2008ZA	TAP SCREW	M2 x 8mm	5	
	B	GE40377-002A	SCREW		2	
	C	QYSDST2604ZA	TAP SCREW	M2.6 x 4mm	3	
	D	QYSDST2606ZA	TAP SCREW	M2.6 x 6mm	3	
	E	QYSDST2610ZA	TAP SCREW	M2.6 x 10mm	1	
	F	GE40377-005A	SPECIAL SCREW		2	
	G	QYSDSF2608ZA	TAP SCREW	M2.6 x 8mm	1	
	H	QYSDSG3006ZA	TAP SCREW	M3 x 6mm	1	
	K	QYSDST2608ZA	TAP SCREW	M2.6 x 8mm	1	
	L	QYSDST2610ZA	TAP SCREW	M2.6 x 10mm	3	
	203	GE35691-001A	F.CHASSIS ASSY		1	
	204	GE35686-001A	LOCK LEVER		1	
	205	GE40504-001A	SPRING		1	
	206	GE35687-001A	RELEASE LEVER		1	
	207	GE40505-001A	SPRING		1	
	210	GE10387-001A	REAR COVER		1	
	213	GE20355-008A	CD COVER		1	K1
	213	GE20355-007A	CD COVER		1	K0
	213	GE20355-009A	CD COVER		1	K2
	215	GE10388-001A	LIGHT GUIDE		1	
	216	GE20346-001A	PRESET BUTTON		1	
	217	GE20347-001A	VOL LENS		1	
	218	GE35681-001A	SRC BUTTON		1	
	219	GE35682-001A	SEARCH BUTTON		1	
	220	GE35671-001A	USB DOOR		1	
	222	GE35674-002A	ACC BTN TOP		1	
	223	G01-4823-04	TOR.COIL SPRING		1	
	224	GE35669-001A	EJECT BUTTON		1	
	225	GE35672-001A	USB LIGHT LENS		1	
	226	GE35673-001A	USB HOLDER		1	
	228	GE35679-001A	LCD LENS		1	
	231	GE35677-001A	DETACH BUTTON		1	
	232	GE40505-003A	SPRING		1	
	233	GE40678-003A	VOL KNOB ASSY		1	K1
	233	GE40678-002A	VOL KNOB ASSY		1	K0
	233	GE40678-001A	VOL KNOB ASSY		1	K2
	236	GE20352-001A	TRIM PLATE		1	K1
	236	GE20351-001A	TRIM PLATE		1	K0
	236	GE20351-002A	TRIM PLATE		1	K2
	237	GE34826-002A	M.SLEEVE ASSY		1	
	238	GE40578-002A	HOOK		2	
	239	QYSPSF2008ZA	TAP SCREW	M2 x 8mm	1	
	240	QNZ1115-001	RUBBER CONNE		1	
	241	QNZ1116-001	RUBBER CONNE		1	
	501	GET0964-001B	INST MANUAL		1	

# EXPLODED VIEW (CD MECHANISM: X92-6820-00)

Block No.130

Grease  
 ★W01-1738-08  
 ●W01-2067-08



Parts with the exploded numbers larger than 800 are not supplied.

MODEL	MARK	MODEL	MARK	MODEL	MARK
KDC-358U	K1	KDC-X398	K0	KMR-D358	K2

Safe	Symbol No.	Parts No.	Parts Name	Description	QTY	Local
------	------------	-----------	------------	-------------	-----	-------

EXPLODED VIEW (CD MECHANISM: X92-6820-00) <130>

	DM1	X94-2230-00	MD CHASSIS ASSY		1	
	DM2	X94-2240-00	LOADING MOTOR ASSY		1	
△	DPU1	QAL1521-001	PICK UP		1	
	FPC1	QAL1465-001	FPC		1	
A		LV45568-001A	MINI SCREW		2	
B		QYSPSGT1745ZA	TAP SCREW	M1.7 x 4.5mm	1	
C		QYSPSPT2025MA	SCREW	M2 x 2.5mm	2	
D		N09-6108-15	TAPTITE SCREW		5	
E		N09-6738-15	TAPTITE SCREW		4	
F		N09-6921-05	TAPTITE SCREW		1	
G		N19-2356-04	FLAT WASHER		2	
1		A10-5625-21	CHASSIS		1	
2		A10-5626-01	CHASSIS		1	
3		D10-7174-03	ARM		1	
4		D10-7175-03	ARM		1	
5		D10-7177-02	SLIDER		1	
6		D10-7178-03	SLIDER		1	
7		D10-7179-02	SLIDER		1	
8		D10-7180-03	ARM		1	
9		D10-7181-13	LEVER		1	
10		D10-7182-12	LEVER		1	
11		D10-7183-02	ARM		1	
12		D10-7184-03	ARM		1	
13		D10-7185-04	ARM		1	
14		D10-7186-03	ARM		1	
15		D10-7187-13	ARM		1	
18		D13-3104-04	GEAR		1	
19		D13-3105-04	GEAR		1	
20		D13-3106-04	GEAR		1	
21		D13-3107-04	GEAR		1	
22		D13-3108-04	GEAR		1	
23		D13-3109-04	WORM		1	
24		D13-3110-04	GEAR		1	
25		D13-3111-04	GEAR		1	
26		D13-3112-04	GEAR		1	
27		D13-3113-04	GEAR		1	
28		D13-3114-03	RACK GEAR		1	
32		D23-0974-14	RETAINER		1	
33		D39-0403-05	DAMPER		2	
37		G01-4810-04	EXTEN.SPRING		2	
38		G01-4829-04	EXTEN.SPRING		2	
39		G01-4813-04	EXTEN.SPRING		1	
40		G01-4814-04	TOR.COIL SPRING		1	
41		G01-4815-04	EXTEN.SPRING		1	
42		G01-4816-04	TOR.COIL SPRING		1	
43		G01-4817-04	EXTEN.SPRING		1	
44		LV36813-501A	SUB GUIDE CAP		1	
46		LV44555-001A	MAIN SHAFT		1	
47		J11-0692-03	CLAMPER		1	
49		J19-7360-21	HOLDER		1	
50		J90-1209-21	GUIDE		1	
54		X94-2250-00	ROLLER ASSY		1	
55		D39-0404-05	DAMPER		1	
56		G01-4812-04	EXTEN.SPRING		2	

MODEL	MARK	MODEL	MARK	MODEL	MARK
KDC-358U	K1	KDC-X398	K0	KMR-D358	K2

Safe	Symbol No.	Parts No.	Parts Name	Description	QTY	Local
<b>ELECTRIC UNIT (X34-7820-1x) &lt;X34&gt;</b>						
△	IC1	TEF6657HN-X	IC		1	
	IC80	MFI337S3959-X	IC		1	
	IC161	TDA7720B-X	IC		1	
△	IC301	JCV8031	IC		1	
	IC530	BU33TD3WG-W	IC		1	
△	IC540	MN6627553APA	IC		1	
△	IC701	R5S726A0D216FP	IC		1	
	IC710	BR24T02FJ-W-X	IC		1	
	IC720	BU4228F-W	IC		1	
	IC801	TC7SH08FU-X	IC(DIGITAL)		1	
	IC802	TC7SET08FU-J-X	IC(DIGITAL)		1	
△	IC840	W10-0878-08	IC		1	
△	IC901	LV5684NPVD	IC		1	
	IC943	BU1CTD3WG-W	IC		1	
	IC981	BD9876EFJ-X	IC		1	
	IC982	NCP380HSNAJAAX	IC(MOS-IC)		1	
	Q251	LTC043TEB-X	DIGI TRANSISTOR		1	
	Q320	LTC043TEB-X	DIGI TRANSISTOR		1	
	Q321	LTC043TEB-X	DIGI TRANSISTOR		1	
	Q330	LTC043TEB-X	DIGI TRANSISTOR		1	
	Q331	LTC043TEB-X	DIGI TRANSISTOR		1	
	Q540	2SA2188/F-X	TRANSISTOR		1	
	Q541	LTA043EEB-X	DIGI TRANSISTOR		1	
	Q542	LTC024EEB-X	DIGI TRANSISTOR		1	
	Q780	LTA024EEB-X	DIGI TRANSISTOR		1	
	Q781	LTC024EEB-X	DIGI TRANSISTOR		1	
	Q782	LTA024EEB-X	DIGI TRANSISTOR		1	
	Q912	LTA014YEB-X	DIGI TRANSISTOR		1	
	Q940	2SA812/5-6/-X	TRANSISTOR		1	
	Q941	LTC024EEB-X	DIGI TRANSISTOR		1	
	Q970	LSCR523UB-X	TRANSISTOR		1	
	Q971	LSCR523UB-X	TRANSISTOR		1	
	Q972	LSCR523UB-X	TRANSISTOR		1	
	D1	NAF0029-002X	ESD SUPPRESSOR		1	
	D100	RSB6.8SM-X	BP Z DIODE		1	
	D101	RSB6.8SM-X	BP Z DIODE		1	
	D300	DA2J101-X	SI DIODE		1	
	D540	GS1J-LTP-X	SI DIODE		1	
	D541	DZ2J033/M/-X	Z DIODE		1	
	D780	BAW56-TP-X	SI DIODE		1	
	D781	BAW56-TP-X	SI DIODE		1	
	D782	DA2J101-X	SI DIODE		1	
	D783	BAW56-TP-X	SI DIODE		1	
	D891	BAW56-TP-X	SI DIODE		1	
△	D901	1N5401-BPC04	SI DIODE		1	
	D902	SK34A-L-X	SB DIODE		1	
	D906	MBRX130-TP-X	SB DIODE		1	
	D907	MBR0530-X	SB DIODE		1	
	D908	DZ2J051/M/-X	Z DIODE		1	
	D909	RB521SM-30-X	SB DIODE		1	
	D970	DZ2J062/M/-X	Z DIODE		1	
	D971	DZ2J068/M/-X	Z DIODE		1	
	D972	DZ2J062/M/-X	Z DIODE		1	
	D981	SK34A-L-X	SB DIODE		1	
	D984	GS1J-LTP-X	SI DIODE		1	
	C1	CC73GCH1H330J	C CAPACITOR	33pF 50V J	1	
	C3	NCB31HK-104X	C CAPACITOR	0.1uF 50V K	1	
	C5	CK73GBB1C224K	C CAPACITOR	0.22uF 16V K	1	
	C6	CK73GBB1H102K	C CAPACITOR	1000pF 50V K	1	
	C7	CK73GBB1H102K	C CAPACITOR	1000pF 50V K	1	
	C8	CC73GCH1H010C	C CAPACITOR	1pF 50V C	1	K1,K2
	C8	CC73GCH1H010C	C CAPACITOR	1pF 50V C	1	K0
	C10	CK73GBB1H102K	C CAPACITOR	1000pF 50V K	1	
	C11	CK73GBB1H152K	C CAPACITOR	1500pF 50V K	1	
	C12	NCB31HK-104X	C CAPACITOR	0.1uF 50V K	1	
	C13	CC73GCH1H220J	C CAPACITOR	22pF 50V J	1	
	C14	CC73GCH1H090D	C CAPACITOR	9pF 50V D	1	
	C17	CK730AX0J106K	C CAPACITOR	10uF 6.3V K	1	
	C20	CC73GCH1H050C	C CAPACITOR	5pF 50V C	1	
	C23	CK730AX0J106K	C CAPACITOR	10uF 6.3V K	1	
	C25	CK73GBB1H103K	C CAPACITOR	0.01uF 50V K	1	
	C26	CC73GCH1H010C	C CAPACITOR	1pF 50V C	1	K1,K2
	C26	CC73GCH1H010C	C CAPACITOR	1pF 50V C	1	K0
	C28	CC73GCH1H120J	C CAPACITOR	12pF 50V J	1	
	C29	NCB31HK-104X	C CAPACITOR	0.1uF 50V K	1	
	C80	NCB31HK-104X	C CAPACITOR	0.1uF 50V K	1	
	C100	NCB31HK-104X	C CAPACITOR	0.1uF 50V K	1	
	C101	CK73GBB1H102K	C CAPACITOR	1000pF 50V K	1	
	C102	CK73GBB1H102K	C CAPACITOR	1000pF 50V K	1	
	C103	NCB31AK-105X	C CAPACITOR	1uF 10V K	1	
	C104	NCB31AK-105X	C CAPACITOR	1uF 10V K	1	
	C105	NCB31AK-105X	C CAPACITOR	1uF 10V K	1	
	C161	NCB31AK-105X	C CAPACITOR	1uF 10V K	1	
	C162	NCB31AK-105X	C CAPACITOR	1uF 10V K	1	
	C163	CD04AV1V4R7M	E CAPACITOR	4.7uF 35V M	1	
	C164	CD04AV1V4R7M	E CAPACITOR	4.7uF 35V M	1	
	C165	QEKJ1EM-106Z	E CAPACITOR	10uF 25V M	1	
	C166	NCB31HK-104X	C CAPACITOR	0.1uF 50V K	1	
	C169	NCB31AK-105X	C CAPACITOR	1uF 10V K	1	
	C170	NCB31AK-105X	C CAPACITOR	1uF 10V K	1	
	C171	NCB31CK-105X	C CAPACITOR	1uF 16V K	1	

MODEL	MARK	MODEL	MARK	MODEL	MARK
KDC-358U	K1	KDC-X398	K0	KMR-D358	K2

Safe	Symbol No.	Parts No.	Parts Name	Description	QTY	Local
	C177	NCB31AK-105X	C CAPACITOR	1uF 10V K	1	
	C260	CC73GCH1H101J	C CAPACITOR	100pF 50V J	1	
	C261	CK73EBB1C475K	C CAPACITOR	4.7uF 16V K	1	
	C303	CC73GCH1H820J	C CAPACITOR	82pF 50V J	1	
	C304	CD04AV1C470M	E CAPACITOR	47uF 16V M	1	
	C305	CC73GCH1H820J	C CAPACITOR	82pF 50V J	1	
	C306	CC73GCH1H820J	C CAPACITOR	82pF 50V J	1	
	C312	CK730AV1C105K	C CAPACITOR	1uF 16V K	1	
	C316	CK730AV1C224K	C CAPACITOR	0.22uF 16V K	1	
	C317	CK730AV1C224K	C CAPACITOR	0.22uF 16V K	1	
	C318	CK730AV1C224K	C CAPACITOR	0.22uF 16V K	1	
	C319	CK730AV1C224K	C CAPACITOR	0.22uF 16V K	1	
	C320	CC73GCH1H101J	C CAPACITOR	100pF 50V J	1	
	C321	CK73EBB1C475K	C CAPACITOR	4.7uF 16V K	1	
	C330	CC73GCH1H101J	C CAPACITOR	100pF 50V J	1	
	C331	CK73EBB1C475K	C CAPACITOR	4.7uF 16V K	1	
	C340	CC73GCH1H101J	C CAPACITOR	100pF 50V J	1	
	C341	CK73EBB1C475K	C CAPACITOR	4.7uF 16V K	1	
	C350	CC73GCH1H101J	C CAPACITOR	100pF 50V J	1	
	C351	CK73EBB1C475K	C CAPACITOR	4.7uF 16V K	1	
	C368	NCB31AK-105X	C CAPACITOR	1uF 10V K	1	
	C369	NCB20JK-475X	C CAPACITOR	4.7uF 6.3V K	1	
	C510	CK73GBB1H472K	C CAPACITOR	4700pF 50V K	1	
	C530	NCB31AK-105X	C CAPACITOR	1uF 10V K	1	
	C531	NCB20JK-106X	C CAPACITOR	10uF 6.3V K	1	
	C532	NCB20JK-106X	C CAPACITOR	10uF 6.3V K	1	
	C533	CD04AV1C470M	E CAPACITOR	47uF 16V M	1	
	C534	CK73GBB1H471K	C CAPACITOR	470pF 50V K	1	
	C540	NCB31HK-104X	C CAPACITOR	0.1uF 50V K	1	
	C541	NCB31HK-104X	C CAPACITOR	0.1uF 50V K	1	
	C542	NCB20JK-106X	C CAPACITOR	10uF 6.3V K	1	
	C543	NCB20JK-106X	C CAPACITOR	10uF 6.3V K	1	
	C544	CK73GBB1H103K	C CAPACITOR	0.01uF 50V K	1	
	C545	CK73GBB1H103K	C CAPACITOR	0.01uF 50V K	1	
	C546	CK73GBB1H682K	C CAPACITOR	6800pF 50V K	1	
	C547	CK73GBB1H682K	C CAPACITOR	6800pF 50V K	1	
	C548	NCB20JK-475X	C CAPACITOR	4.7uF 6.3V K	1	
	C549	NCB31HK-104X	C CAPACITOR	0.1uF 50V K	1	
	C550	CK73GBB1C154K	C CAPACITOR	0.15uF 16V K	1	
	C552	CK73GBB1H682K	C CAPACITOR	6800pF 50V K	1	
	C553	NCB31HK-104X	C CAPACITOR	0.1uF 50V K	1	
	C554	NCB20JK-475X	C CAPACITOR	4.7uF 6.3V K	1	
	C555	CK73GBB1H223K	C CAPACITOR	0.022uF 50V K	1	
	C556	CK73GBB1H332K	C CAPACITOR	3300pF 50V K	1	
	C557	CK73GBB1A334K	C CAPACITOR	0.33uF 10V K	1	
	C558	NCB20JK-475X	C CAPACITOR	4.7uF 6.3V K	1	
	C559	NCB31HK-104X	C CAPACITOR	0.1uF 50V K	1	
	C560	CK73GBB1H681K	C CAPACITOR	680pF 50V K	1	
	C561	NCB11AK-106X	C CAPACITOR	10uF 10V K	1	
	C562	CK73GBB1H153K	C CAPACITOR	0.015uF 50V K	1	
	C563	NCB31HK-104X	C CAPACITOR	0.1uF 50V K	1	
	C564	CK73GBB1H102K	C CAPACITOR	1000pF 50V K	1	
	C565	CK73GBB1E823K	C CAPACITOR	0.082uF 25V K	1	
	C567	CK73GBB1H102K	C CAPACITOR	1000pF 50V K	1	
	C568	CK73GBB1A334K	C CAPACITOR	0.33uF 10V K	1	
	C570	NCB31HK-104X	C CAPACITOR	0.1uF 50V K	1	
	C571	NCB31HK-104X	C CAPACITOR	0.1uF 50V K	1	
	C572	NCB20JK-106X	C CAPACITOR	10uF 6.3V K	1	
	C574	CK73GBB1H472K	C CAPACITOR	4700pF 50V K	1	
	C576	NCB31HK-104X	C CAPACITOR	0.1uF 50V K	1	
	C577	CC73GCH1H100D	C CAPACITOR	10pF 50V D	1	
	C578	CC73GCH1H120J	C CAPACITOR	12pF 50V J	1	
	C579	NCB31HK-104X	C CAPACITOR	0.1uF 50V K	1	
	C583	CK73GBB1H821K	C CAPACITOR	820pF 50V K	1	
	C584	CK73GBB1H821K	C CAPACITOR	820pF 50V K	1	
	C588	CK73GBB1H681K	C CAPACITOR	680pF 50V K	1	
	C589	CK73GBB1H681K	C CAPACITOR	680pF 50V K	1	
	C701	NCB31HK-104X	C CAPACITOR	0.1uF 50V K	1	
	C702	NCB31HK-104X	C CAPACITOR	0.1uF 50V K	1	
	C703	NCB31HK-104X	C CAPACITOR	0.1uF 50V K	1	
	C704	NCB31HK-104X	C CAPACITOR	0.1uF 50V K	1	
	C705	NCB31HK-104X	C CAPACITOR	0.1uF 50V K	1	
	C707	NCB31HK-104X	C CAPACITOR	0.1uF 50V K	1	
	C708	NCB31HK-104X	C CAPACITOR	0.1uF 50V K	1	
	C709	CC73GCH1H090D	C CAPACITOR	9pF 50V D	1	
	C710	CC73GCH1H090D	C CAPACITOR	9pF 50V D	1	
	C711	NCB31HK-104X	C CAPACITOR	0.1uF 50V K	1	
	C712	NCB31HK-104X	C CAPACITOR	0.1uF 50V K	1	
	C713	CK73GBB1H471K	C CAPACITOR	470pF 50V K	1	
	C714	NCB31HK-104X	C CAPACITOR	0.1uF 50V K	1	
	C715	NCB31HK-104X	C CAPACITOR	0.1uF 50V K	1	
	C716	NCB31HK-104X	C CAPACITOR	0.1uF 50V K	1	
	C717	NCB31HK-104X	C CAPACITOR	0.1uF 50V K	1	
	C718	NCB31HK-104X	C CAPACITOR	0.1uF 50V K	1	
	C719	CK73GBB1H472K	C CAPACITOR	4700pF 50V K	1	
	C722	CK73GBB1H472K	C CAPACITOR	4700pF 50V K	1	
	C723	CK73GBB1H472K	C CAPACITOR	4700pF 50V K	1	
	C724	CK73GBB1H472K	C CAPACITOR	4700pF 50V K	1	
	C725	CK73GBB1H471K	C CAPACITOR	470pF 50V K	1	
	C726	CK73GBB1H471K	C CAPACITOR	470pF 50V K	1	
	C727	CK73GBB1H682K	C CAPACITOR	6800pF 50V K	1	
	C728	CK73GBB1C473K	C CAPACITOR	0.047uF 16V K	1	

MODEL	MARK	MODEL	MARK	MODEL	MARK
KDC-358U	K1	KDC-X398	K0	KMR-D358	K2

Safe	Symbol No.	Parts No.	Parts Name	Description	QTY	Local
	C729	NCB31HK-104X	C CAPACITOR	0.1uF 50V K	1	
	C730	NCB31HK-104X	C CAPACITOR	0.1uF 50V K	1	
	C801	CK73GGB1H103K	C CAPACITOR	0.01uF 50V K	1	
	C802	CK73GGB1H103K	C CAPACITOR	0.01uF 50V K	1	
	C803	NCB31AK-105X	C CAPACITOR	1uF 10V K	1	
	C804	NCB31AK-105X	C CAPACITOR	1uF 10V K	1	
	C805	NCB31AK-105X	C CAPACITOR	1uF 10V K	1	
	C806	NCB31HK-104X	C CAPACITOR	0.1uF 50V K	1	
	C840	CK73GGB1H472K	C CAPACITOR	4700pF 50V K	1	
	C841	CK73GGB1H471K	C CAPACITOR	470pF 50V K	1	
	C842	CK73GGB1H103K	C CAPACITOR	0.01uF 50V K	1	
	C891	NCB31HK-104X	C CAPACITOR	0.1uF 50V K	1	
	C901	QEZ0981-228	E CAPACITOR	2200uF	1	
	C903	CD04AS1C220M	E CAPACITOR	22uF 16V M	1	
	C904	CD04AR1C471M	E CAPACITOR	470uF 16V M	1	
	C905	QEKJ0JM-107Z	E CAPACITOR	100uF 6.3V M	1	
	C907	NCB31AK-105X	C CAPACITOR	1uF 10V K	1	
	C908	CK73GGB1C224K	C CAPACITOR	0.22uF 16V K	1	
	C910	NCB31CK-105X	C CAPACITOR	1uF 16V K	1	
	C911	NCB31CK-105X	C CAPACITOR	1uF 16V K	1	
	C913	CK73FBB1C105K	C CAPACITOR	1uF 16V K	1	
	C914	CK73FBB1C105K	C CAPACITOR	1uF 16V K	1	
	C916	CC73GCH1H070D	C CAPACITOR	7pF 50V D	1	
	C950	NCB31HK-104X	C CAPACITOR	0.1uF 50V K	1	
	C953	CK73GGB1C474K	C CAPACITOR	0.47uF 16V K	1	
	C954	CK73GGB1C474K	C CAPACITOR	0.47uF 16V K	1	
	C955	QEKJ0JM-107Z	E CAPACITOR	100uF 6.3V M	1	
	C979	QEKJ0JM-107Z	E CAPACITOR	100uF 6.3V M	1	
	C981	CK73GGB1H682K	C CAPACITOR	6800pF 50V K	1	
	C984	CK73GGB1H103K	C CAPACITOR	0.01uF 50V K	1	
	C986	CK73EXR1E106K	C CAPACITOR	10uF 25V K	1	
	C987	NCB31HK-104X	C CAPACITOR	0.1uF 50V K	1	
	C988	NCB11AK-106X	C CAPACITOR	10uF 10V K	1	
	C989	NCB11AK-106X	C CAPACITOR	10uF 10V K	1	
	C990	NCB31HK-104X	C CAPACITOR	0.1uF 50V K	1	
	C991	NCB31HK-104X	C CAPACITOR	0.1uF 50V K	1	
	R1	RK73GB2A105J	MG RESISTOR	1MΩ 1/10W J	1	
	R2	RK73GB2A105J	MG RESISTOR	1MΩ 1/10W J	1	
	R3	RK73GB2A820J	MG RESISTOR	82Ω 1/10W J	1	
	R4	RK73GB2A102J	MG RESISTOR	1kΩ 1/10W J	1	
	R5	RK73GB2A4R7J	MG RESISTOR	4.7Ω 1/10W J	1	
	R7	RK73GB2A101J	MG RESISTOR	100Ω 1/10W J	1	
	R8	RK73GB2A101J	MG RESISTOR	100Ω 1/10W J	1	
	R20	RK73GB2A100J	MG RESISTOR	10Ω 1/10W J	1	
	R80	RK73GB2A101J	MG RESISTOR	100Ω 1/10W J	1	
	R81	RK73GB2A101J	MG RESISTOR	100Ω 1/10W J	1	
	R82	RK73GB2A472J	MG RESISTOR	4.7kΩ 1/10W J	1	
	R83	RK73GB2A472J	MG RESISTOR	4.7kΩ 1/10W J	1	
	R84	RK73GB2A472J	MG RESISTOR	4.7kΩ 1/10W J	1	
	R85	RK73GB2A000J	MG RESISTOR	0Ω 1/10W J	1	
	R100	RK73EB2E471J	MG RESISTOR	470Ω 1/4W J	1	
	R101	RK73FB2B000J	MG RESISTOR	0Ω 1/8W J	1	
	R103	RK73GB2A473J	MG RESISTOR	47kΩ 1/10W J	1	
	R104	RK73GB2A473J	MG RESISTOR	47kΩ 1/10W J	1	
	R162	RK73GB2A000J	MG RESISTOR	0Ω 1/10W J	1	
	R164	RK73GB2A000J	MG RESISTOR	0Ω 1/10W J	1	
	R168	RK73GB2A101J	MG RESISTOR	100Ω 1/10W J	1	
	R169	RK73GB2A101J	MG RESISTOR	100Ω 1/10W J	1	
	R170	RK73EB2E000J	MG RESISTOR	0Ω 1/4W J	1	
	R171	RK73GB2A103J	MG RESISTOR	10kΩ 1/10W J	1	
	R253	RK73GB2A000J	MG RESISTOR	0Ω 1/10W J	1	
	R260	RK73GB2A181J	MG RESISTOR	180Ω 1/10W J	1	
	R261	RK73GB2A223J	MG RESISTOR	22kΩ 1/10W J	1	
	R262	RK73GB2A331J	MG RESISTOR	330Ω 1/10W J	1	
	R301	RK73GB2A000J	MG RESISTOR	0Ω 1/10W J	1	
	R302	RK73GB2A222J	MG RESISTOR	2.2kΩ 1/10W J	1	
	R303	RK73EB2E5R1J	MG RESISTOR	5.1Ω 1/4W J	1	
	R304	RK73GB2A473J	MG RESISTOR	47kΩ 1/10W J	1	
	R307	RK73EB2E000J	MG RESISTOR	0Ω 1/4W J	1	
	R320	RK73GB2A181J	MG RESISTOR	180Ω 1/10W J	1	
	R321	RK73GB2A223J	MG RESISTOR	22kΩ 1/10W J	1	
	R323	RK73GB2A331J	MG RESISTOR	330Ω 1/10W J	1	
	R330	RK73GB2A181J	MG RESISTOR	180Ω 1/10W J	1	
	R331	RK73GB2A223J	MG RESISTOR	22kΩ 1/10W J	1	
	R333	RK73GB2A331J	MG RESISTOR	330Ω 1/10W J	1	
	R340	RK73GB2A181J	MG RESISTOR	180Ω 1/10W J	1	
	R341	RK73GB2A223J	MG RESISTOR	22kΩ 1/10W J	1	
	R343	RK73GB2A331J	MG RESISTOR	330Ω 1/10W J	1	
	R350	RK73GB2A181J	MG RESISTOR	180Ω 1/10W J	1	
	R351	RK73GB2A223J	MG RESISTOR	22kΩ 1/10W J	1	
	R353	RK73GB2A331J	MG RESISTOR	330Ω 1/10W J	1	
	R400	RK73EB2E000J	MG RESISTOR	0Ω 1/4W J	1	
	R401	RK73GB2A000J	MG RESISTOR	0Ω 1/10W J	1	
	R402	RK73EB2E000J	MG RESISTOR	0Ω 1/4W J	1	
	R403	RK73GB2A472J	MG RESISTOR	4.7kΩ 1/10W J	1	
	R404	RK73GB2A000J	MG RESISTOR	0Ω 1/10W J	1	
	R409	RK73GB2A473J	MG RESISTOR	47kΩ 1/10W J	1	
	R411	RK73GB2A473J	MG RESISTOR	47kΩ 1/10W J	1	
	R412	RK73GB2A473J	MG RESISTOR	47kΩ 1/10W J	1	
	R413	RK73GB2A473J	MG RESISTOR	47kΩ 1/10W J	1	
	R414	RK73GB2A473J	MG RESISTOR	47kΩ 1/10W J	1	
	R415	RK73GB2A473J	MG RESISTOR	47kΩ 1/10W J	1	
	R416	RK73GB2A473J	MG RESISTOR	47kΩ 1/10W J	1	

MODEL	MARK	MODEL	MARK	MODEL	MARK
KDC-358U	K1	KDC-X398	K0	KMR-D358	K2

Safe	Symbol No.	Parts No.	Parts Name	Description	QTY	Local
	R417	RK73GB2A473J	MG RESISTOR	47kΩ 1/10W J	1	
	R419	RK73GB2A473J	MG RESISTOR	47kΩ 1/10W J	1	
	R420	RK73GB2A473J	MG RESISTOR	47kΩ 1/10W J	1	
	R421	RK73GB2A473J	MG RESISTOR	47kΩ 1/10W J	1	
	R422	RK73GB2A473J	MG RESISTOR	47kΩ 1/10W J	1	
	R424	RK73EB2E471J	MG RESISTOR	470Ω 1/4W J	1	
	R425	RK73EB2E471J	MG RESISTOR	470Ω 1/4W J	1	
	R427	RK73GB2A000J	MG RESISTOR	0Ω 1/10W J	1	
	R431	RK73EB2E000J	MG RESISTOR	0Ω 1/4W J	1	
	R432	RK73EB2E000J	MG RESISTOR	0Ω 1/4W J	1	
	R434	NRZ0084-0R0X	MG RESISTOR	0Ω	1	
	R435	RK73GB2A1R0J	MG RESISTOR	1Ω 1/10W J	1	
	R436	RK73EB2E000J	MG RESISTOR	0Ω 1/4W J	1	
	R438	RK73EB2E000J	MG RESISTOR	0Ω 1/4W J	1	
	R440	RK73EB2E000J	MG RESISTOR	0Ω 1/4W J	1	
	R442	RK73EB2E000J	MG RESISTOR	0Ω 1/4W J	1	
	R447	RK73EB2E000J	MG RESISTOR	0Ω 1/4W J	1	
	R448	RK73EB2E000J	MG RESISTOR	0Ω 1/4W J	1	
	R449	RK73EB2E000J	MG RESISTOR	0Ω 1/4W J	1	
	R450	RK73GB2A000J	MG RESISTOR	0Ω 1/10W J	1	
	R452	RK73GB2A000J	MG RESISTOR	0Ω 1/10W J	1	
	R453	RK73GB2A000J	MG RESISTOR	0Ω 1/10W J	1	
	R454	RK73GB2A000J	MG RESISTOR	0Ω 1/10W J	1	
	R463	RK73EB2E000J	MG RESISTOR	0Ω 1/4W J	1	
	R467	RK73EB2E000J	MG RESISTOR	0Ω 1/4W J	1	
	R468	NRZ0084-0R0X	MG RESISTOR	0Ω	1	
	R486	RK73EB2E000J	MG RESISTOR	0Ω 1/4W J	1	
	R530	RK73EB2E100J	MG RESISTOR	10Ω 1/4W J	1	
	R541	RK73GB2A562J	MG RESISTOR	5.6kΩ 1/10W J	1	
	R542	RK73GB2A223J	MG RESISTOR	22kΩ 1/10W J	1	
	R543	RK73GB2A562J	MG RESISTOR	5.6kΩ 1/10W J	1	
	R544	RK73GB2A183J	MG RESISTOR	18kΩ 1/10W J	1	
	R546	RK73GB2A103J	MG RESISTOR	10kΩ 1/10W J	1	
	R548	RK73GB2A123J	MG RESISTOR	12kΩ 1/10W J	1	
	R550	RK73GB2A222J	MG RESISTOR	2.2kΩ 1/10W J	1	
	R551	RK73GB2A222J	MG RESISTOR	2.2kΩ 1/10W J	1	
	R554	RK73GB2A225J	MG RESISTOR	2.2MΩ 1/10W J	1	
	R555	RK73GB2A000J	MG RESISTOR	0Ω 1/10W J	1	
	R556	RK73GB2A473J	MG RESISTOR	47kΩ 1/10W J	1	
	R557	RK73EB2E4R7J	MG RESISTOR	4.7Ω 1/4W J	1	
	R558	RK73GB2A821J	MG RESISTOR	820Ω 1/10W J	1	
	R559	RK73GB2A272J	MG RESISTOR	2.7kΩ 1/10W J	1	
	R561	RK73GB2A102J	MG RESISTOR	1kΩ 1/10W J	1	
	R562	RK73EB2E823J	MG RESISTOR	82kΩ 1/4W J	1	
	R563	RK73GB2A000J	MG RESISTOR	0Ω 1/10W J	1	
	R569	RK73EB2E102J	MG RESISTOR	1kΩ 1/4W J	1	
	R570	RK73GB2A102J	MG RESISTOR	1kΩ 1/10W J	1	
	R571	RK73GB2A103J	MG RESISTOR	10kΩ 1/10W J	1	
	R572	RK73GB2A221J	MG RESISTOR	220Ω 1/10W J	1	
	R573	RK73GB2A105J	MG RESISTOR	1MΩ 1/10W J	1	
	R577	RK73GB2A330J	MG RESISTOR	33Ω 1/10W J	1	
	R578	RK73GB2A330J	MG RESISTOR	33Ω 1/10W J	1	
	R579	RK73GB2A222J	MG RESISTOR	2.2kΩ 1/10W J	1	
	R580	RK73GB2A222J	MG RESISTOR	2.2kΩ 1/10W J	1	
	R589	RK73GB2A821J	MG RESISTOR	820Ω 1/10W J	1	
	R590	RK73GB2A821J	MG RESISTOR	820Ω 1/10W J	1	
	R591	RK73EB2E431J	MG RESISTOR	430Ω 1/4W J	1	
	R591	RK73EB2E681J	MG RESISTOR	680Ω 1/4W J	1	K1,K2
	R701	RK73GB2A162J	MG RESISTOR	1.6kΩ 1/10W J	1	K0
	R702	RK73GB2A472J	MG RESISTOR	4.7kΩ 1/10W J	1	
	R703	RK73GB2A162J	MG RESISTOR	1.6kΩ 1/10W J	1	
	R704	RK73GB2A162J	MG RESISTOR	1.6kΩ 1/10W J	1	
	R705	RK73GB2A162J	MG RESISTOR	1.6kΩ 1/10W J	1	
	R706	RK73GB2A911J	MG RESISTOR	910Ω 1/10W J	1	
	R707	RK73GB2A162J	MG RESISTOR	1.6kΩ 1/10W J	1	
	R708	RK73GB2A911J	MG RESISTOR	910Ω 1/10W J	1	
	R709	RK73GB2A332J	MG RESISTOR	3.3kΩ 1/10W J	1	
	R710	RK73GB2A104J	MG RESISTOR	100kΩ 1/10W J	1	
	R714	RK73GB2A101J	MG RESISTOR	100Ω 1/10W J	1	
	R715	RK73GB2A101J	MG RESISTOR	100Ω 1/10W J	1	
	R716	RK73GB2A101J	MG RESISTOR	100Ω 1/10W J	1	
	R717	RK73GB2A103J	MG RESISTOR	10kΩ 1/10W J	1	
	R718	RK73EB2E222J	MG RESISTOR	2.2kΩ 1/4W J	1	
	R719	RK73GB2A222J	MG RESISTOR	2.2kΩ 1/10W J	1	
	R720	RK73GB2A222J	MG RESISTOR	2.2kΩ 1/10W J	1	
	R721	RK73GB2A102J	MG RESISTOR	1kΩ 1/10W J	1	
	R722	RK73GB2A102J	MG RESISTOR	1kΩ 1/10W J	1	
	R723	RK73GB2A222J	MG RESISTOR	2.2kΩ 1/10W J	1	
	R725	RK73GB2A473J	MG RESISTOR	47kΩ 1/10W J	1	K2
	R726	RK73GB2A473J	MG RESISTOR	47kΩ 1/10W J	1	
	R727	RK73GB2A911J	MG RESISTOR	910Ω 1/10W J	1	
	R728	RK73GB2A473J	MG RESISTOR	47kΩ 1/10W J	1	
	R729	RK73GB2A105J	MG RESISTOR	1MΩ 1/10W J	1	
	R730	RK73GB2A222J	MG RESISTOR	2.2kΩ 1/10W J	1	
	R731	RK73GB2A153J	MG RESISTOR	15kΩ 1/10W J	1	
	R732	RK73GB2A153J	MG RESISTOR	15kΩ 1/10W J	1	
	R733	RK73GB2A220J	MG RESISTOR	22Ω 1/10W J	1	
	R734	RK73GB2A220J	MG RESISTOR	22Ω 1/10W J	1	
	R735	RK73GB2A473J	MG RESISTOR	47kΩ 1/10W J	1	
	R738	RK73GB2A473J	MG RESISTOR	47kΩ 1/10W J	1	
	R739	RK73GB2A473J	MG RESISTOR	47kΩ 1/10W J	1	
	R740	RK73GB2A225J	MG RESISTOR	2.2MΩ 1/10W J	1	K1,K0

MODEL	MARK	MODEL	MARK	MODEL	MARK
KDC-358U	K1	KDC-X398	K0	KMR-D358	K2

Safe	Symbol No.	Parts No.	Parts Name	Description	QTY	Local
	R741	RK73GB2A393J	MG RESISTOR	39kΩ 1/10W J	1	K1
	R741	RK73GB2A333J	MG RESISTOR	33kΩ 1/10W J	1	K2
	R743	RK73GB2A822J	MG RESISTOR	8.2kΩ 1/10W J	1	K1
	R743	RK73GB2A473J	MG RESISTOR	47kΩ 1/10W J	1	K0
	R743	RK73GB2A153J	MG RESISTOR	15kΩ 1/10W J	1	K2
	R745	RK73GB2A473J	MG RESISTOR	47kΩ 1/10W J	1	
	R746	RK73GB2A473J	MG RESISTOR	47kΩ 1/10W J	1	
	R747	RK73GB2A473J	MG RESISTOR	47kΩ 1/10W J	1	
	R748	RK73GB2A473J	MG RESISTOR	47kΩ 1/10W J	1	
	R749	RK73GB2A473J	MG RESISTOR	47kΩ 1/10W J	1	
	R756	RK73GB2A473J	MG RESISTOR	47kΩ 1/10W J	1	
	R757	RK73GB2A473J	MG RESISTOR	47kΩ 1/10W J	1	
	R758	RK73GB2A102J	MG RESISTOR	1kΩ 1/10W J	1	
	R759	RK73GB2A472J	MG RESISTOR	4.7kΩ 1/10W J	1	
	R760	RK73GB2A472J	MG RESISTOR	4.7kΩ 1/10W J	1	
	R761	RK73GB2A103J	MG RESISTOR	10kΩ 1/10W J	1	
	R762	RK73GB2A103J	MG RESISTOR	10kΩ 1/10W J	1	
	R763	RK73GB2A222J	MG RESISTOR	2.2kΩ 1/10W J	1	
	R764	RK73GB2A472J	MG RESISTOR	4.7kΩ 1/10W J	1	
	R765	RK73GB2A472J	MG RESISTOR	4.7kΩ 1/10W J	1	
	R769	RK73GB2A473J	MG RESISTOR	47kΩ 1/10W J	1	
	R773	RK73EB2E102J	MG RESISTOR	1kΩ 1/4W J	1	
	R776	RK73GB2A271J	MG RESISTOR	270Ω 1/10W J	1	
	R777	RK73GB2A271J	MG RESISTOR	270Ω 1/10W J	1	
	R779	RK73GB2A101J	MG RESISTOR	100Ω 1/10W J	1	
	R780	RK73GB2A223J	MG RESISTOR	22kΩ 1/10W J	1	
	R781	RK73GB2A331J	MG RESISTOR	330Ω 1/10W J	1	
	R783	RK73GB2A104J	MG RESISTOR	100kΩ 1/10W J	1	
	R784	RK73GB2A103J	MG RESISTOR	10kΩ 1/10W J	1	
	R800	RK73EB2E000J	MG RESISTOR	0Ω 1/4W J	1	
	R801	RK73GB2A4R7J	MG RESISTOR	4.7Ω 1/10W J	1	
	R802	RK73GB2A100J	MG RESISTOR	10Ω 1/10W J	1	
	R803	RK73GB2A100J	MG RESISTOR	10Ω 1/10W J	1	
	R804	RK73GB2A222J	MG RESISTOR	2.2kΩ 1/10W J	1	
	R805	RK73GB2A101J	MG RESISTOR	100Ω 1/10W J	1	
	R806	RK73GB2A101J	MG RESISTOR	100Ω 1/10W J	1	
	R807	RK73GB2A104J	MG RESISTOR	100kΩ 1/10W J	1	
	R840	RK73GB2A473J	MG RESISTOR	47kΩ 1/10W J	1	
	R841	RK73GB2A473J	MG RESISTOR	47kΩ 1/10W J	1	
	R842	RK73GB2A473J	MG RESISTOR	47kΩ 1/10W J	1	
	R891	RK73GB2A103J	MG RESISTOR	10kΩ 1/10W J	1	
	R892	RK73GB2A683J	MG RESISTOR	68kΩ 1/10W J	1	
	R893	RK73GB2A123J	MG RESISTOR	12kΩ 1/10W J	1	
	R901	RK73GB2A333J	MG RESISTOR	33kΩ 1/10W J	1	
	R902	RK73GB2A472J	MG RESISTOR	4.7kΩ 1/10W J	1	
	R903	RK73GB2A273J	MG RESISTOR	27kΩ 1/10W J	1	
	R904	RK73GB2A472J	MG RESISTOR	4.7kΩ 1/10W J	1	K1,K2
	R904	RK73GB2A332J	MG RESISTOR	3.3kΩ 1/10W J	1	K0
	R905	RK73GB2A100J	MG RESISTOR	10Ω 1/10W J	1	
	R911	RK73EB2E472J	MG RESISTOR	4.7kΩ 1/4W J	1	
	R914	RK73GB2A102J	MG RESISTOR	1kΩ 1/10W J	1	
	R915	RK73GB2A000J	MG RESISTOR	0Ω 1/10W J	1	
	R921	RK73EB2E103J	MG RESISTOR	10kΩ 1/4W J	1	
	R940	RK73GB2A102J	MG RESISTOR	1kΩ 1/10W J	1	
	R941	RK73GB2A223J	MG RESISTOR	22kΩ 1/10W J	1	
	R952	RK73GB2A000J	MG RESISTOR	0Ω 1/10W J	1	
	R969	RK73GB2A563J	MG RESISTOR	56kΩ 1/10W J	1	
	R970	RK73FB2B683J	MG RESISTOR	68kΩ 1/8W J	1	
	R971	RK73FB2B473J	MG RESISTOR	47kΩ 1/8W J	1	
	R972	RK73GB2A104J	MG RESISTOR	100kΩ 1/10W J	1	
	R973	RK73GB2A333J	MG RESISTOR	33kΩ 1/10W J	1	
	R974	RK73GB2A223J	MG RESISTOR	22kΩ 1/10W J	1	
	R975	RK73GB2A333J	MG RESISTOR	33kΩ 1/10W J	1	
	R976	RK73GB2A104J	MG RESISTOR	100kΩ 1/10W J	1	
	R977	RK73GB2A223J	MG RESISTOR	22kΩ 1/10W J	1	
	R978	RK73EB2E473J	MG RESISTOR	47kΩ 1/4W J	1	
	R979	RK73EB2E682J	MG RESISTOR	6.8kΩ 1/4W J	1	
	R980	RK73EB2E682J	MG RESISTOR	6.8kΩ 1/4W J	1	
	R982	RK73GH2A183D	MG RESISTOR	18kΩ 1/10W D	1	
	R984	RK73GH2A432D	MG RESISTOR	4.3kΩ 1/10W D	1	
	R985	RK73GB2A471J	MG RESISTOR	470Ω 1/10W J	1	
	R986	RK73GB2A000J	MG RESISTOR	0Ω 1/10W J	1	
	R987	RK73GB2A103J	MG RESISTOR	10kΩ 1/10W J	1	
	R989	RK73GB2A103J	MG RESISTOR	10kΩ 1/10W J	1	
	R990	RK73GH2A203D	MG RESISTOR	20kΩ 1/10W D	1	
	L3	NQLM93K-R10X	COIL	0.1uH K	1	
	L5	NQLM93K-4R7X	COIL	4.7uH K	1	
	L6	NQLM93K-R15X	COIL	0.15uH K	1	
	L7	NQLM93K-R47X	COIL	0.47uH K	1	
	L8	NQLM93K-1R0X	COIL	1uH K	1	
	L9	NQL79GM-4R7X	COIL	4.7uH M	1	
	L10	NQLM93K-R12X	COIL	0.12uH K	1	
	L11	NQLM93K-R22X	COIL	0.22uH K	1	
	L540	NQR0022-005X	FERRITE BEADS		1	
	L541	NQR0022-005X	FERRITE BEADS		1	
	L542	NQR0022-005X	FERRITE BEADS		1	
	L574	NQR0022-005X	FERRITE BEADS		1	
	L701	NQR0022-005X	FERRITE BEADS		1	
	L750	NQR0269-017X	FERRITE BEADS		1	
	L751	NQR0269-030X	FERRITE BEADS		1	
	L752	NQR0022-005X	FERRITE BEADS		1	
	L753	NQR0022-005X	FERRITE BEADS		1	

MODEL	MARK	MODEL	MARK	MODEL	MARK
KDC-358U	K1	KDC-X398	K0	KMR-D358	K2

Safe	Symbol No.	Parts No.	Parts Name	Description	QTY	Local
	L754	NQR0022-005X	FERRITE BEADS		1	
	L755	NQR0022-005X	FERRITE BEADS		1	
	L756	NQR0022-005X	FERRITE BEADS		1	
	L757	NQR0022-005X	FERRITE BEADS		1	
	L758	NQR0154-006X	FERRITE CORE		1	
	L777	NQR0022-005X	FERRITE BEADS		1	
	L778	NQR0022-005X	FERRITE BEADS		1	
	L779	NQR0022-005X	FERRITE BEADS		1	
	L780	NQR0022-005X	FERRITE BEADS		1	
	L781	NQR0022-005X	FERRITE BEADS		1	
	L782	NQR0022-005X	FERRITE BEADS		1	
	L783	NQR0022-005X	FERRITE BEADS		1	
	L841	NQR0154-006X	FERRITE CORE		1	
	L901	QQR1909-001	CHOKO COIL		1	
	L941	NQL79GM-4R7X	COIL	4.7uH M	1	
	L981	NQLN9EM-150X	COIL	15uH M	1	
	L982	NQLH25M-4R7X	COIL	4.7uH M	1	
	B1	QUY158-075Y	IM BUS WIRE		1	
	B2	QUY158-075Y	IM BUS WIRE		1	
	B3	QUY158-075Y	IM BUS WIRE		1	
	B4	QUY158-050Y	IM BUS WIRE		1	
	B5	QUY158-150Y	IM BUS WIRE		1	
	B6	QUY158-150Y	IM BUS WIRE		1	
	B7	QUY158-200Y	IM BUS WIRE		1	
	B8	QUY158-075Y	IM BUS WIRE		1	
	B9	QUY158-050Y	IM BUS WIRE		1	
	B10	QUY158-050Y	IM BUS WIRE		1	
	B11	QUY158-050Y	IM BUS WIRE		1	
	B12	QUY158-175Y	IM BUS WIRE		1	
	B13	QUY158-050Y	IM BUS WIRE		1	
	CN502	QGF1040F1-24	CONNECTOR	FFC/FPC (1-24)	1	
	CN701	QGZ1102J1-20	CONNECTOR	(1-20)	1	
	CN901	QNZ0607-001	CAR CONNECTOR		1	
	J1	QNB0358-001	ANT TERMINAL		1	
	J321	QNN0866-001	PIN JACK		1	
	J801	QNZ0907-001	CIR CONNECTOR		1	
	S701	QSW0648-001Z	TACT SWITCH		1	
	X1	QAX0969-001Z	CRYSTAL		1	
	X540	NAX1224-001X	CRYSTAL		1	
	X701	NAX1243-001X	CRYSTAL		1	
SWITCH UNIT (X16-7550-1x) <X16>						
	IC601	PCA9633DP1-X	IC		1	
	IC661	PT6530-LQ	IC		1	
	IC681	PIC95603-X	IR DETECT UNIT		1	K1,K0
	Q611	LSCR523UB-X	TRANSISTOR		1	
	Q641	LTA014EUB-X	DIGI TRANSISTOR		1	K1,K0
	Q642	LTC014EUB-X	DIGI TRANSISTOR		1	K1,K0
	Q661	LSCR523UB-X	TRANSISTOR		1	
	Q662	LSCR523UB-X	TRANSISTOR		1	
	Q663	LSCR523EB-X	TRANSISTOR		1	
	Q664	LSCR523UB-X	TRANSISTOR		1	
	D611	MBRX130-TP-X	SB DIODE		1	
	D612	DZ2J056/M/-X	Z DIODE		1	
	D631	DZ2J051/M/-X	Z DIODE		1	
	D632	DZ2J051/M/-X	Z DIODE		1	
	D660	SML-D12V8W-X	LED		1	
	D661	SML-310VT-X	LED		1	
	D662	LRTBGFTG/Z1Z1X	LED		1	
	D663	LRTBGFTG/Z1Z1X	LED		1	
	D664	LRTBGFTG/Z1Z1X	LED		1	
	D665	LRTBGFTG/Z1Z1X	LED		1	
	D666	LRTBGFTG/Z1Z1X	LED		1	
	D669	LRTBGFTG/Z1Z1X	LED		1	
	C602	NCB31CK-105X	C CAPACITOR	1uF 16V K	1	
	C614	CK73GBB1H102K	C CAPACITOR	1000pF 50V K	1	
	C615	NCB31CK-105X	C CAPACITOR	1uF 16V K	1	
	C616	NCB31CK-105X	C CAPACITOR	1uF 16V K	1	
	C617	NCB31HK-104X	C CAPACITOR	0.1uF 50V K	1	
	C618	NCB31HK-104X	C CAPACITOR	0.1uF 50V K	1	
	C619	NCB31HK-104X	C CAPACITOR	0.1uF 50V K	1	
	C620	NCB31HK-104X	C CAPACITOR	0.1uF 50V K	1	
	C632	CC73GCH1H270J	C CAPACITOR	27pF 50V J	1	
	C633	CC73GCH1H270J	C CAPACITOR	27pF 50V J	1	
	C634	CK73EXR1E106K	C CAPACITOR	10uF 25V K	1	
	C635	CK73GBB1H471K	C CAPACITOR	470pF 50V K	1	
	C636	CK73GBB1H472K	C CAPACITOR	4700pF 50V K	1	
	C638	CK73GBB1H472K	C CAPACITOR	4700pF 50V K	1	
	C639	CK73GBB1H472K	C CAPACITOR	4700pF 50V K	1	
	C641	NCB31HK-104X	C CAPACITOR	0.1uF 50V K	1	K1,K0
	C691	CK73EXR1E106K	C CAPACITOR	10uF 25V K	1	
	R601	RK73GB2A101J	MG RESISTOR	100Ω 1/10W J	1	
	R602	RK73GB2A101J	MG RESISTOR	100Ω 1/10W J	1	
	R612	RK73FB2B331J	MG RESISTOR	330Ω 1/8W J	1	
	R613	RK73GB2A102J	MG RESISTOR	1kΩ 1/10W J	1	
	R621	RK73GB2A101J	MG RESISTOR	100Ω 1/10W J	1	
	R622	RK73GB2A101J	MG RESISTOR	100Ω 1/10W J	1	
	R623	RK73GB2A101J	MG RESISTOR	100Ω 1/10W J	1	
	R624	RK73GB2A101J	MG RESISTOR	100Ω 1/10W J	1	
	R625	RK73GB2A101J	MG RESISTOR	100Ω 1/10W J	1	
	R626	RK73GB2A393J	MG RESISTOR	39kΩ 1/10W J	1	
	R627	RK73GB2A472J	MG RESISTOR	4.7kΩ 1/10W J	1	
	R628	RK73GB2A472J	MG RESISTOR	4.7kΩ 1/10W J	1	
	R629	RK73GB2A472J	MG RESISTOR	4.7kΩ 1/10W J	1	
	R630	RK73FB2B100J	MG RESISTOR	10Ω 1/8W J	1	

MODEL	MARK	MODEL	MARK	MODEL	MARK
KDC-358U	K1	KDC-X398	K0	KMR-D358	K2

Safe	Symbol No.	Parts No.	Parts Name	Description	QTY	Local
R631		RK73FB2B100J	MG RESISTOR	10Ω 1/8W J	1	
R632		RK73EB2E103J	MG RESISTOR	10kΩ 1/4W J	1	
R633		RK73GB2A101J	MG RESISTOR	100Ω 1/10W J	1	
R634		RK73FB2B4R7J	MG RESISTOR	4.7Ω 1/8W J	1	
R637		RK73GB2A000J	MG RESISTOR	0Ω 1/10W J	1	
R641		RK73GB2A333J	MG RESISTOR	33kΩ 1/10W J	1	K1,K0
R659		RK73GB2A122J	MG RESISTOR	1.2kΩ 1/10W J	1	
R660		RK73GB2A152J	MG RESISTOR	1.5kΩ 1/10W J	1	
R661		RK73EB2E751J	MG RESISTOR	750Ω 1/4W J	1	
R663		RK73FB2B471J	MG RESISTOR	470Ω 1/8W J	1	
R665		RK73FB2B471J	MG RESISTOR	470Ω 1/8W J	1	
R667		RK73FB2B751J	MG RESISTOR	750Ω 1/8W J	1	
R669		RK73FB2B471J	MG RESISTOR	470Ω 1/8W J	1	
R671		RK73FB2B471J	MG RESISTOR	470Ω 1/8W J	1	
R673		RK73FB2B751J	MG RESISTOR	750Ω 1/8W J	1	
R675		RK73FB2B821J	MG RESISTOR	820Ω 1/8W J	1	
R677		RK73FB2B821J	MG RESISTOR	820Ω 1/8W J	1	
R679		RK73FB2B102J	MG RESISTOR	1kΩ 1/8W J	1	
R681		RK73FB2B561J	MG RESISTOR	560Ω 1/8W J	1	
R683		RK73FB2B561J	MG RESISTOR	560Ω 1/8W J	1	
R685		RK73FB2B751J	MG RESISTOR	750Ω 1/8W J	1	
R686		RK73GB2A102J	MG RESISTOR	1kΩ 1/10W J	1	
R687		RK73GB2A102J	MG RESISTOR	1kΩ 1/10W J	1	
R688		RK73GB2A102J	MG RESISTOR	1kΩ 1/10W J	1	
R689		RK73GB2A102J	MG RESISTOR	1kΩ 1/10W J	1	
R690		RK73EB2E000J	MG RESISTOR	0Ω 1/4W J	1	
R696		RK73GB2A000J	MG RESISTOR	0Ω 1/10W J	1	
R697		RK73GB2A000J	MG RESISTOR	0Ω 1/10W J	1	
R698		RK73GB2A000J	MG RESISTOR	0Ω 1/10W J	1	
R699		RK73GB2A000J	MG RESISTOR	0Ω 1/10W J	1	
RA601		RK74GB1J101J	NET RESISTOR	100Ω 1/16W J	1	
RA602		RK74GB1J101J	NET RESISTOR	100Ω 1/16W J	1	
L601		NQR0022-005X	FERRITE BEADS		1	
CN601		QGZ1102K3-20X	CONNECTOR	(1-20)	1	
CN603		QNZ1076-001	USB CONNECTOR		1	
EN601		QSW1288-001	ROTARY ENCODER		1	
J602		QNS0323-001	3.5 JACK		1	
LF691		NQR0704-001X	CHOKE COIL		1	
S601		NSW0246-001X	TACT SWITCH		1	
S602		NSW0246-001X	TACT SWITCH		1	
S603		NSW0246-001X	TACT SWITCH		1	
S604		NSW0246-001X	TACT SWITCH		1	
S605		NSW0246-001X	TACT SWITCH		1	
S606		NSW0246-001X	TACT SWITCH		1	
S607		NSW0246-001X	TACT SWITCH		1	
S608		NSW0246-001X	TACT SWITCH		1	
S609		NSW0246-001X	TACT SWITCH		1	
S610		NSW0246-001X	TACT SWITCH		1	
S611		NSW0246-001X	TACT SWITCH		1	
S612		NSW0246-001X	TACT SWITCH		1	
S613		NSW0246-001X	TACT SWITCH		1	
S614		NSW0246-001X	TACT SWITCH		1	
S615		NSW0246-001X	TACT SWITCH		1	
CD PLAYER UNIT (X32-6680-00) IN CD MECHA <X32>						
IC1		BD8266EFV-M-X	IC		1	
C26		CK730BW1C106K	C CAPACITOR	10uF 16V K	1	
C54		CK73GB1H104K	C CAPACITOR 2		1	
C55		CK730BW1C106K	C CAPACITOR	10uF 16V K	1	
R18		RK73GB2A822J	MG RESISTOR	8.2kΩ 1/10W J	1	
R21		RK73GB2A822J	MG RESISTOR	8.2kΩ 1/10W J	1	
R24		RK73GB2A272J	MG RESISTOR	2.7kΩ 1/10W J	1	
R27		RK73GB2A562J	MG RESISTOR	5.6kΩ 1/10W J	1	
R28		RK73GB2A114J	MG RESISTOR	110kΩ 1/10W J	1	
R29		RK73GB2A101J	MG RESISTOR	100Ω 1/10W J	1	
R30		RK73GB2A101J	MG RESISTOR	100Ω 1/10W J	1	
R36		RK73GB2A000J	MG RESISTOR	0Ω 1/10W J	1	
R37		RK73GB2A000J	MG RESISTOR	0Ω 1/10W J	1	
R38		RK73GB2A000J	MG RESISTOR	0Ω 1/10W J	1	
R40		RK73GB2A000J	MG RESISTOR	0Ω 1/10W J	1	
R42		RK73EB2E000J	MG RESISTOR	0Ω 1/4W J	1	
R47		RK73EB2E000J	MG RESISTOR	0Ω 1/4W J	1	
R48		RK73EB2E000J	MG RESISTOR	0Ω 1/4W J	1	
R50		RK73GB2A131J	MG RESISTOR	130Ω 1/10W J	1	
CN1		QGF1044F2-24X	CONNECTOR	FFC/FPC (1-24)	1	
CN2		E41-3488-05	FLAT CABLE CONNECTOR		1	
S1		S68-0931-05	PUSH SWITCH		1	
S2		S68-0931-05	PUSH SWITCH		1	
S3		S68-0932-05	PUSH SWITCH		1	