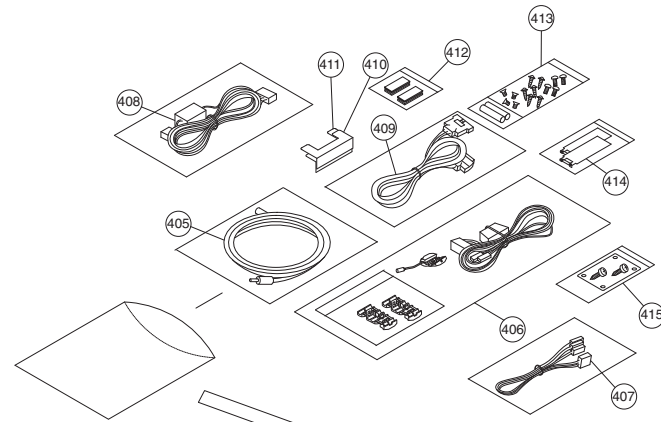
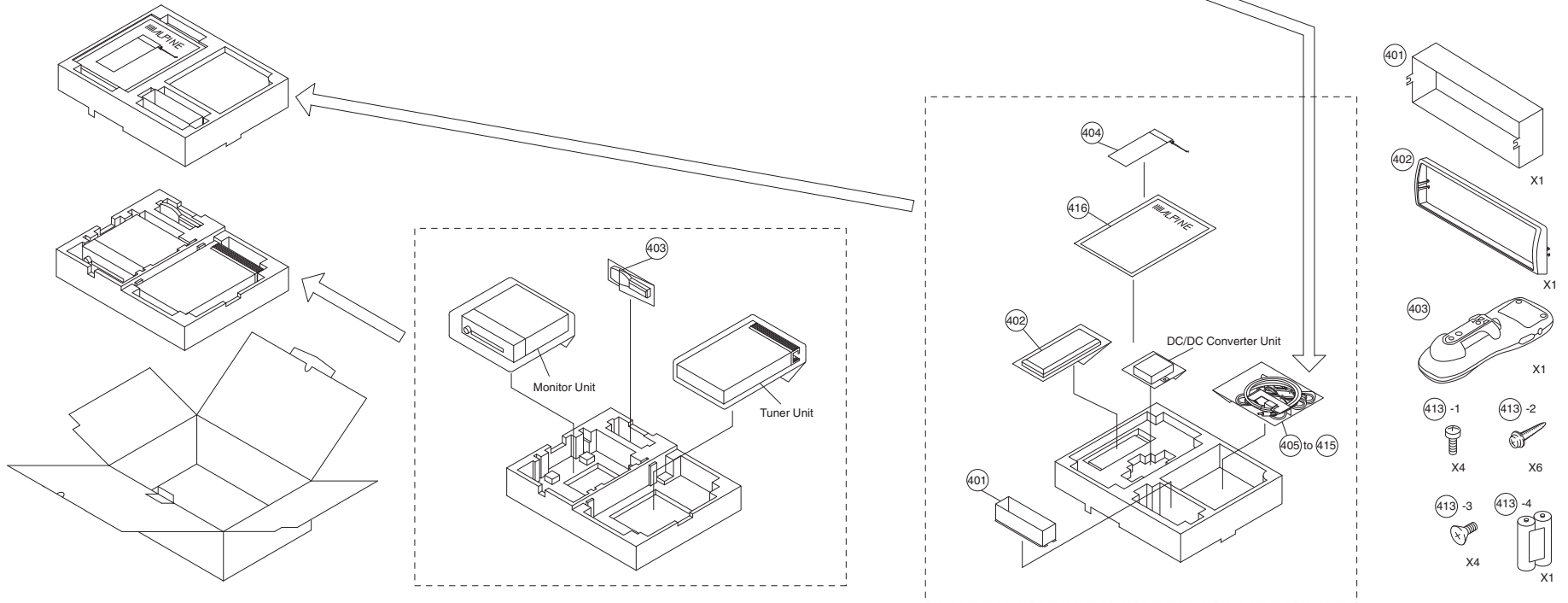


Packing Assembly Parts List

Symbol No.	Part No.	Description	Symbol No.	Part No.	Description
401.	15D61379Y01.	CASE,INNER.	411.	07B50413W06	BKT,SIDE(R).
402	33C60496Y01.	FACE,PLATE.	412	75T58346F16	PAD,MAGIC TAPE.
403	01T55446Y01.	ASSY.REMOCON RUE4190.	413-1	03S60820Y15	SCR,MCH 4X8 ZN A
404	15B41543Y01.	CARRING,BAG.	413-2	03S60828Y03	SCR,TPG 4X14 ZN A
405	01T95334W02	ASSY,ANT WIRE MAIN	413-3	03A31982Y01	SCR,M4X5 FLAT.
406	01T95205W14	ASSY,WIRE PWR D900A	413-4	60T55630W01.	BAT,MGN R03(NB)UM-4.
407.	01T35047Y04	ASSY,WIRE REMOTE 900	414	07T75070W01.	BKT.STOPPER ASSY.
408	01T65556Y02	ASSY,POWER WIRE 900A.	415	01A31635Y02	ASSY,KIT REMOCON.
409	01T65563Y01.	ASSY,DIN CABLE 3M.	416	68P50520Y71.	O/M AOAM
410	07B50413W05	BKT,SIDE(L).			

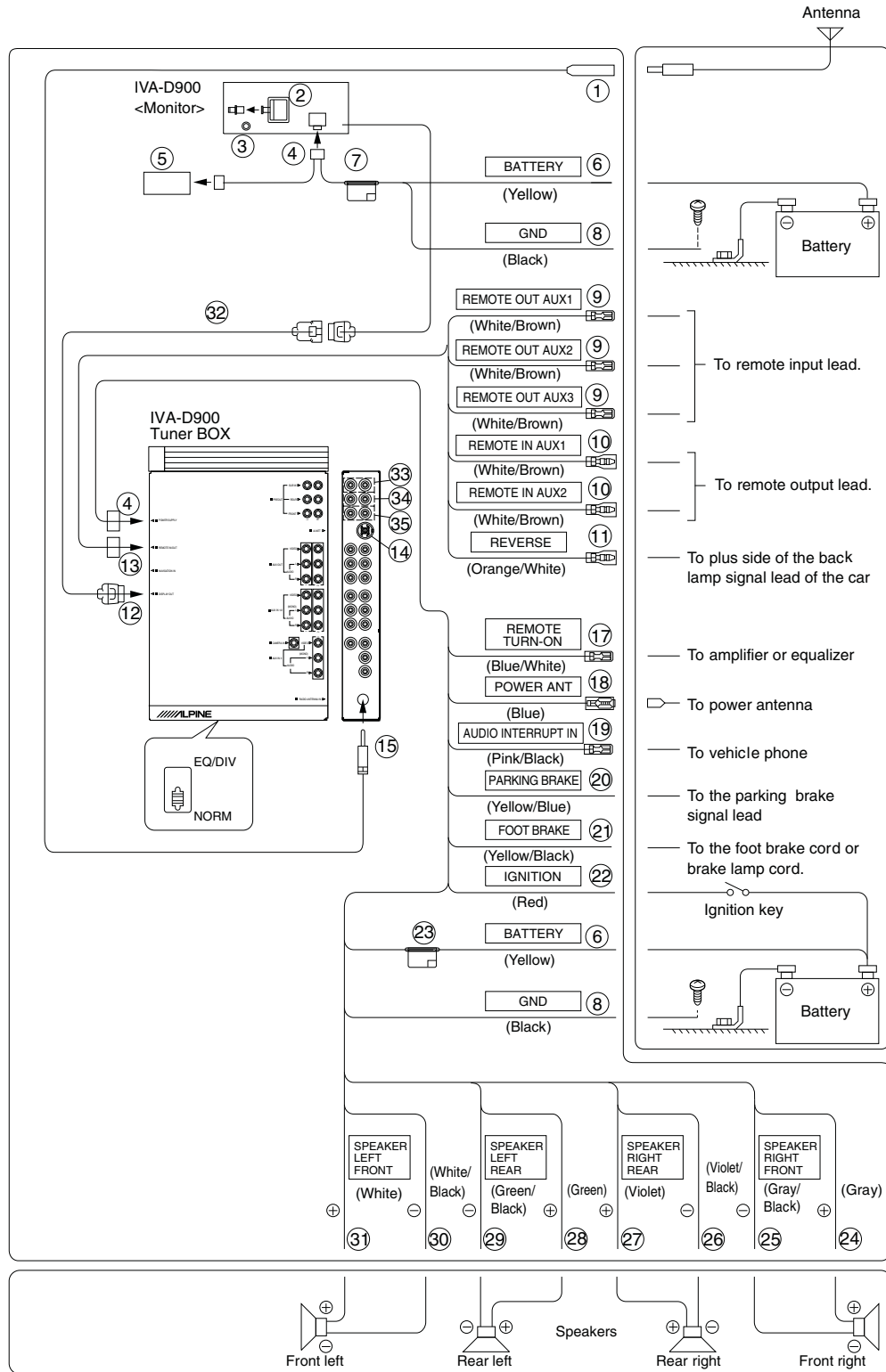


Packing Method View



TO CONTENTS

System Connections



Set the system switch to "NORM" when only a changer is connected (when the Ai-NET compatible equalizer is not used.)

- ① **Antenna Extension Cable**
- ② **Digital Output Terminal (Optical)**
Use when combining fiber digital input compatible products.
- ③ **Remote Control Interface Connector**
Connect to the remote control interface box.
- ④ **Power Supply Connector**
- ⑤ **DC/DC Converter**
Do not install the converter at a location subjected to water such as under the floor mat or air conditioner. This may cause a malfunction.
Do not bundle the DC/DC converter cable with other audio cables. Doing so may induce noise into your system.
Keep the DC/DC converter away from the Antenna cables and the rear side of the unit, otherwise noise may be generated when receiving radio broadcast.
- ⑥ **Battery Lead (Yellow)**
Connect this lead to the positive (+) post of the vehicle's battery.
- ⑦ **Fuse Holder (10A)**
- ⑧ **Ground Lead (Black)**
Connect this lead to a good chassis ground on the vehicle. Make sure the connection is made to bare metal and is securely fastened using the sheet metal screw provided.
- ⑨ **Remote Control Output Lead (White/Brown)**
Connect this lead to the remote control input lead. This lead outputs the controlling signals from the remote control.
- ⑩ **Remote Control Input Lead (White/Brown)**
Connect the external Alpine product to the remote control output lead.
- ⑪ **Reverse Lead (Orange/White)**
Use only when a back-up camera is connected. Connect to the plus side of the car's reverse lamp that lights when the transmission is shifted into reverse (R).
Switches the video picture to the back-up camera. This is linked with putting the car into reverse (R).
- ⑫ **Display Output Terminal**
- ⑬ **Remote IN/OUT Terminal**
- ⑭ **Ai-NET Connector**
Connect this to the output or input connector of other product (CD Changer, Equalizer, etc.) equipped with Ai-NET.
- ⑮ **Antenna Receptacle**
- ⑯ **System Switch**
When connecting an equalizer or divider using Ai-NET feature, place this switch in the EQ/DIV position. When no device is connected, leave the switch in the NORM position.

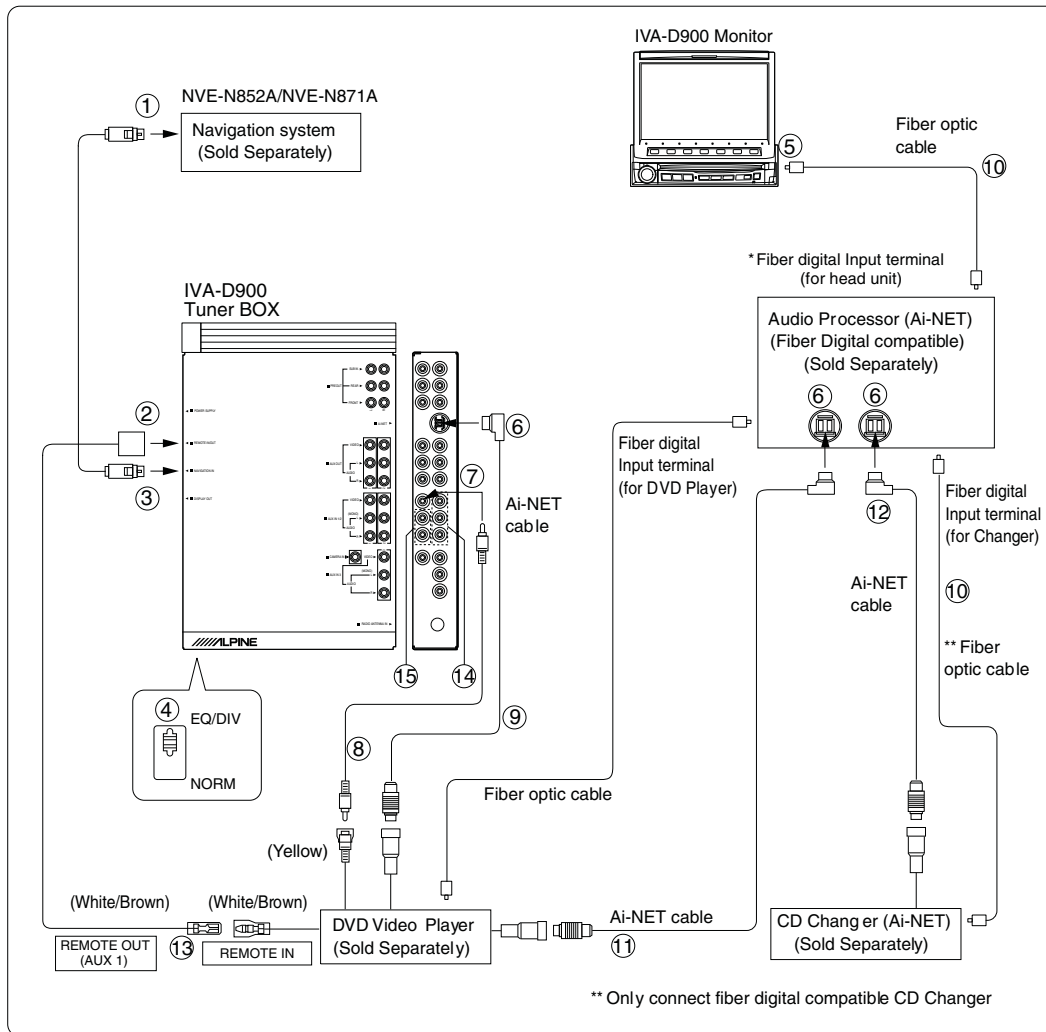
*Be sure turn the power off to the unit before changing the switch position.
- ⑰ **Remote Turn-On Lead (Blue/White)**
Connect this lead to the remote turn-on lead of your amplifier or signal processor.
- ⑱ **Power Antenna Lead (Blue)**
Connect this lead to the +B terminal of your power antenna, if applicable.
- ⑲ **Audio Interrupt In Lead (Pink/Black)**
- ⑳ **Parking Brake Lead (Yellow/Blue)**
Connect this lead to the power supply side of the parking brake switch to transmit the parking brake status signals to the IVA-D900.
- ㉑ **Foot Brake Lead (Yellow/Black)**
Connect to the vehicle's foot brake lead or brake lamp lead.
- ㉒ **Switched Power Lead (Ignition) (Red)**
Connect this lead to an open terminal on the vehicle's fuse box or another unused power source which provides (+) 12V only when the ignition is turned on or in the accessory position.
- ㉓ **Fuse Holder (15A)**
- ㉔ **Right Front (+) Speaker Output Lead (Gray)**
- ㉕ **Right Front (-) Speaker Output Lead (Gray/Black)**
- ㉖ **Right Rear (-) Speaker Output Lead (Violet/Black)**
- ㉗ **Right Rear (+) Speaker Output Lead (Violet)**
- ㉘ **Left Rear (+) Speaker Output Lead (Green)**
- ㉙ **Left Rear (-) Speaker Output Lead (Green/Black)**
- ㉚ **Left Front (-) Speaker Output Lead (White/Black)**
- ㉛ **Left Front (+) Speaker Output Lead (White)**
- ㉜ **Monitor Extension Cable**
- ㉝ **Subwoofer output Terminal**
Connect the input lead of an amplifier for the subwoofer to this terminal.
- ㉞ **Rear output Terminal**
Use when connecting an amplifier.
- ㉟ **Front output Terminal**
Use when connecting an amplifier.

To prevent external noise from entering the audio system.

- *Locate the unit and route the leads at least 10 cm away from the car's electrical harness.
- *Keep the battery power leads as far away from other leads as possible.
- *Connect the ground lead securely to a bare metal spot (remove any paint, dirt or grease if necessary) of the car chassis.
- *If you add an optional noise suppressor, connect it as far away from the unit as possible. Your Alpine dealer carries various noise suppressors, contact them for further information.
- *Your Alpine dealer knows best about noise prevention measures so consult your dealer for further information.

(System Example)

When connecting the Ai-NET compatible audio processor (Fiber digital compatible), Navigation system, DVD player and changer



*When the fiber digital compatible product is connected, it is necessary to set the mode of this unit. Refer to "Setting the Digital Output" and set to ON. Then refer to "Optical Digital Input Selection for an External Audio Processor" and switch the setting.

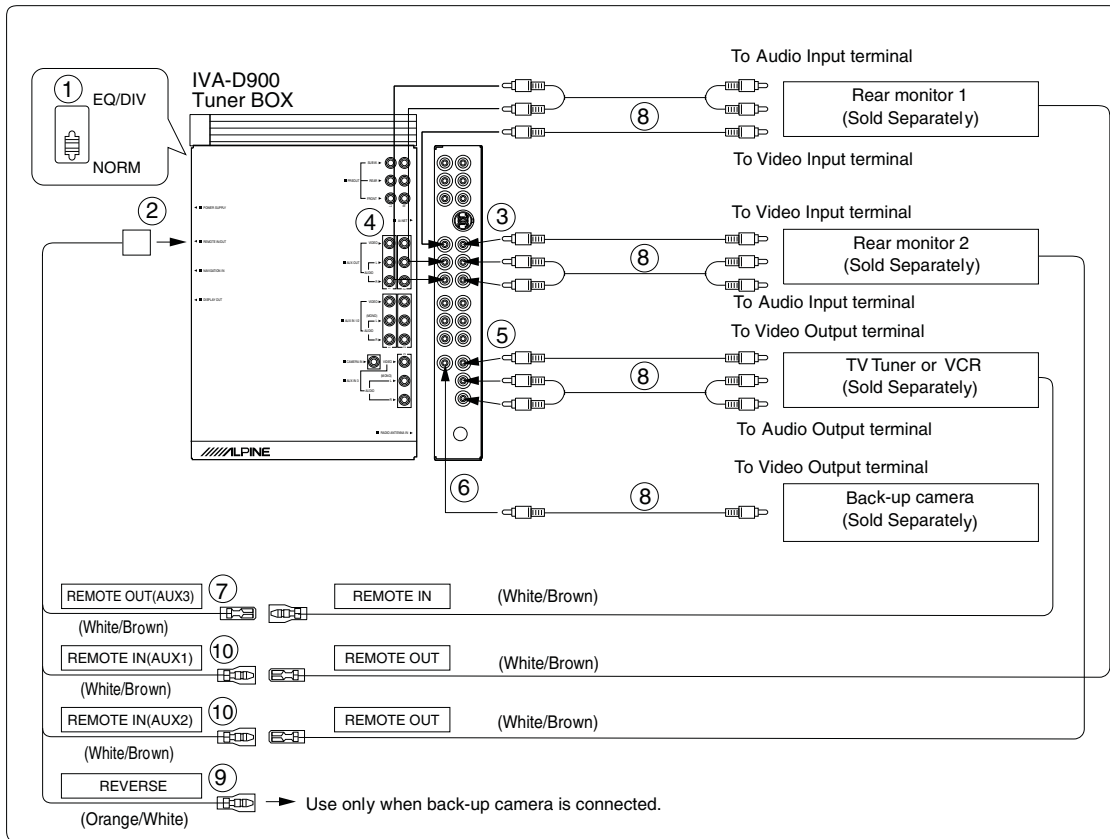
* When connecting with PXA-H510 :
 - Connect the fiber digital input terminal to the DVD.
 - IVA-D900, DVA-5200 or DVA-5205 cannot be connected simultaneously when fiber digital is in use.

*When the NVA-N751AS is connected for the Navigation System, use the RGB conversion cable KWE-503N (Sold separately).

- ① **RGB Cable (Included with NVE-N852, not included with NVE-N871A)**
- ② **Remote IN/OUT Terminal**
- ③ **RGB Input Terminal**
Connect this to the RGB output terminal of the Navigation System.
- ④ **System Switch**
When connecting an equalizer or divider using Ai-NET feature, place this switch in the EQ/DIV position. When no device is connected, leave the switch in the NORM position.

Be sure to turn the power off to the unit before changing the switch position.
- ⑤ **Digital Output Terminal**
- ⑥ **Ai-NET Connector**
Connect this to the output or input connector of other product equipped with Ai-NET.
- ⑦ **AUX Video Input (AUX1) Terminal**
Connect the video output lead of a DVD video player or DVD changer to this terminal.
- ⑧ **RCA Extension Cable (Included with DVD video player)**
- ⑨ **Ai-NET Cable (Included with DVD video player)**
- ⑩ **Fiber optic Cable (Sold Separately)**
- ⑪ **Ai-NET Cable (Included with Equalizer)**
- ⑫ **Ai-NET Cable (Included with CD Changer)**
- ⑬ **Remote Control Output Lead (White/Brown)**
Connect this lead to the remote control input lead. This lead outputs the controlling signals from the remote control.
- ⑭ **AUX Audio/Video Input (AUX2) Terminals**
- ⑮ **AUX Audio Input (AUX1) Terminals**

(When Connecting External Equipment)



① System Switch

When connecting an equalizer or divider using Ai-NET feature, place this switch in the EQ/DIV position. When no device is connected, leave the switch in the NORM position.

*Be sure to turn the power off to the unit before changing the switch position.

② Remote IN/OUT Terminal

③ AUX Video/Audio Output (AUX2) Terminal

Use when connecting an optional monitor etc.

④ AUX Video/Audio Output (AUX1) Terminal

Use when connecting an optional monitor etc.

⑤ AUX Video/Audio Input (AUX3) Terminal

⑥ CAMERA Input Terminal

Use when connecting a back-up camera.

⑦ Remote Control Output Lead (White/Brown)

Connect this lead to the remote control input lead. This lead outputs the controlling signals from the remote control.

⑧ RCA Extension Cable (Sold separately)

⑨ Connect to the plus side of the car's reverse lamp which lights when the transmission is shifted into reverse (R).

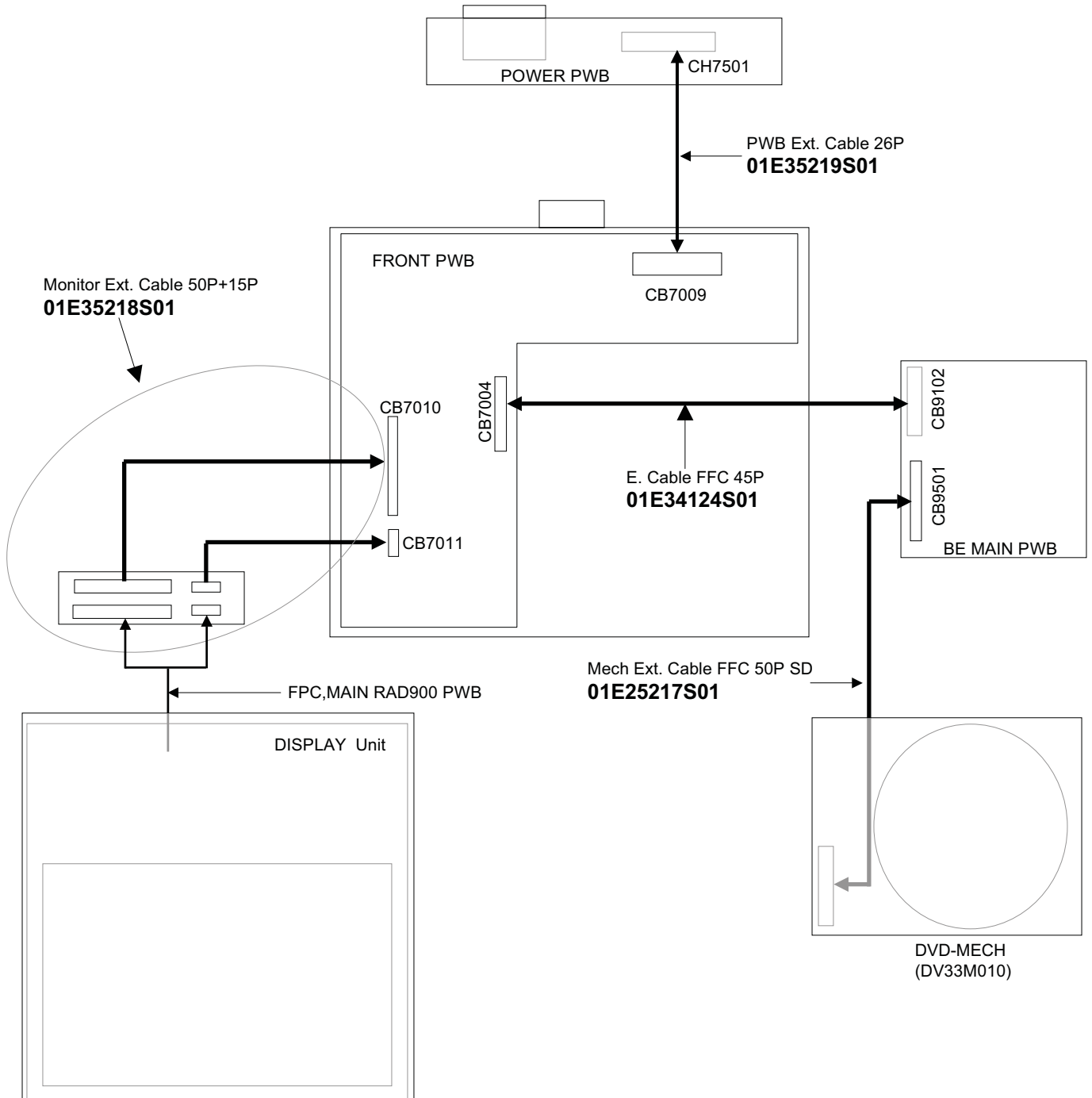
Switches the video picture to the back-up camera. This is linked to putting the car into reverse (R).

⑩ Remote Control Input Lead (White/Brown)

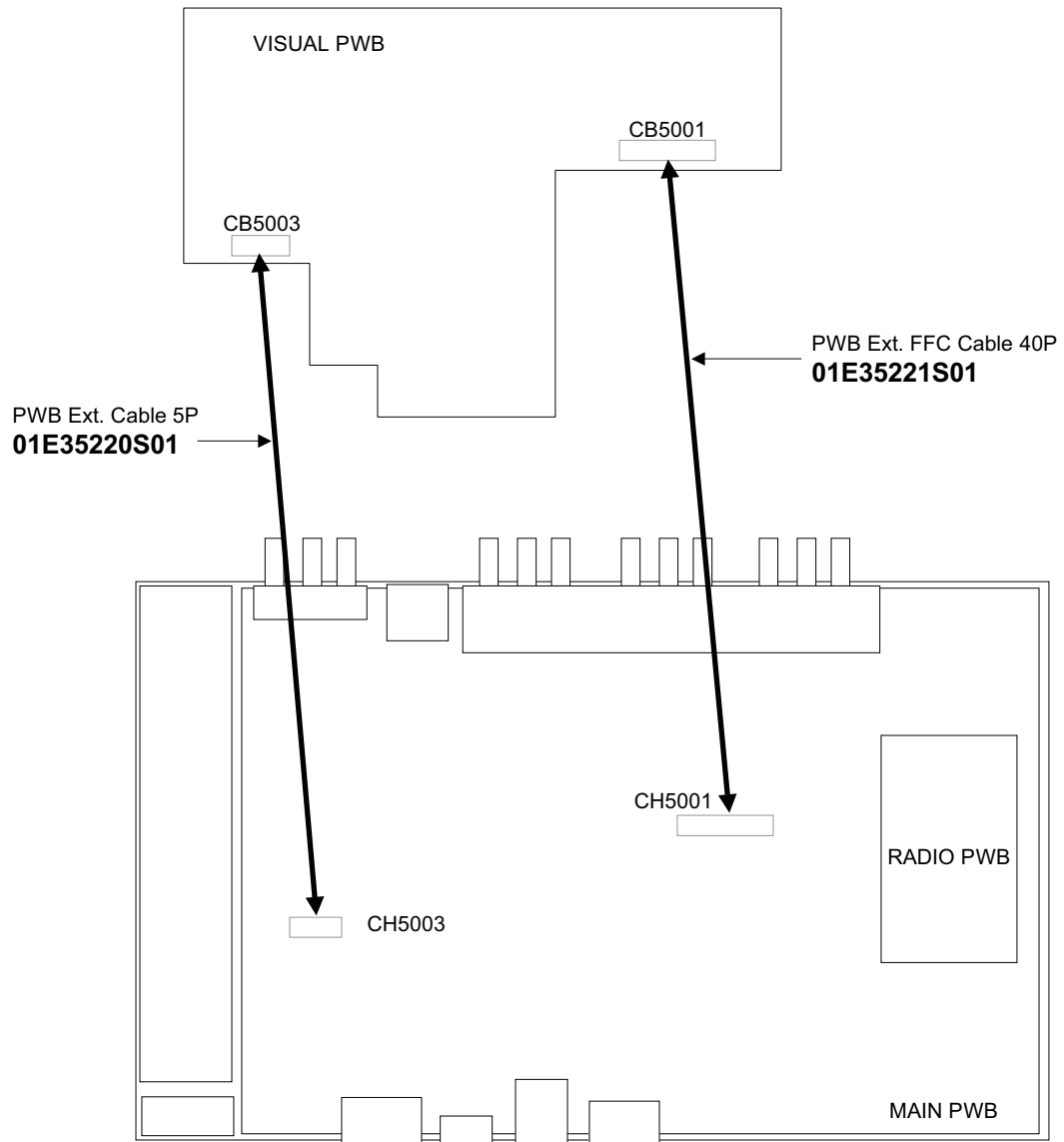
Extension Cable

* When repairing or measuring the voltage of this unit, connect with the Extension Cable as shown in below.

<Monitor Unit>



<TUNER Unit>



IVA-D900(ELE)

Electrical Parts List (Monitor Unit)

*****FRONT P.W.Board

=====IC's

IC7000	51T65577Y02	MTP,70F3033BYGC
IC7001	51T95552W01	HA12187FP-EL -SE2
IC7002	51T95552W01	HA12187FP-EL -SE2
IC7003	51T15190Y01	TC74VHC04FT-EL -SE5
IC7004	51T45360Y01	TC7WH14FK-TE85L -CP
IC7006	51T75628W02	BA6285AFP-Y-E2 -SE9
IC7007	51T15194Y01	TC74VHCT08AFT-EL-SE5
IC7013	51T95193W01	TDA3606AT -SE9
IC7016	51T65016Y24	S-80935CNMC-T2 -CP
IC7018	51T25189Y01	S-81233SGUP-T1 -NE2
IC7019	51T45659Y02	BA00BC0WFP-E2 -NE5
IC7020	51T93532F05	TC4S01F-TE85L -CP
IC7023	51T75628W02	BA6285AFP-Y-E2 -SE9
IC7024	51T65190Y01	NJM2268V-TE1 -SE2
IC7025	51T25259Y03	BA00ASFP-E2 -NE5
IC7026	51T25259Y03	BA00ASFP-E2 -NE5
IC7027	51T25259Y03	BA00ASFP-E2 -NE5
IC7028	51T25259Y03	BA00ASFP-E2 -NE5
IC7029	51T25259Y03	BA00ASFP-E2 -NE5
IC7030	51T15731W08	TC7S08F-TE85L -CP
IC7031	51T35743Y01	TC7W66FU-TE12L -SE1

=====Transistors

Q7000	48T25137Y01	TR,UN9211J-TX -CP
Q7004	48T25137Y01	TR,UN9211J-TX -CP
Q7008	48T94471F03	TR ,IMH1
Q7009	48T73888F12	TR ,CP.FMC2-99
Q7014	48T73888F12	TR ,CP.FMC2-99
Q7015	48T25736Y01	TR,UMC2N-TR -CP
Q7016	48T25137Y16	TR,UN921LJ-TX -CP
Q7019	48T25137Y13	TR,UN921FJ-TX -CP
Q7020	48T95196W01	TR,2SA1735-TE12L -E2
Q7022	48T64222F01	TR ,UN2211 10-10 -TX
Q7023	48T94581F01	TR,2SA1576A-T106 -CP
Q7024	48T94582F01	TR ,CP 2SC4081-Q
Q7025	48T94581F01	TR,2SA1576A-T106 -CP
Q7026	48T94582F01	TR ,CP 2SC4081-Q
Q7027	48T94582F01	TR ,CP 2SC4081-Q
Q7028	48T94581F01	TR,2SA1576A-T106 -CP
Q7029	48T94582F01	TR ,CP 2SC4081-Q
Q7030	48T94582F01	TR ,CP 2SC4081-Q
Q7031	48T94581F01	TR,2SA1576A-T106 -CP
Q7032	48T94582F01	TR ,CP 2SC4081-Q
Q7033	48T94582F01	TR ,CP 2SC4081-Q
Q7034	48T94581F01	TR,2SA1576A-T106 -CP
Q7035	48T94582F01	TR ,CP 2SC4081-Q
Q7036	48T94582F01	TR ,CP 2SC4081-Q

=====Diodes

D7001	48T94608F03	DIO,CP .DAN202U(MIN)
D7003	48T25274Y01	DIO,MA4S159-TX -CP
D7004	48T25274Y01	DIO,MA4S159-TX -CP

ZD7000	48T35392Y06	DIO,ZEN RLZ7.5A -CP
ZD7001	48T35392Y06	DIO,ZEN RLZ7.5A -CP
ZD7002	48T35392Y06	DIO,ZEN RLZ7.5A -CP
ZD7003	48T35392Y06	DIO,ZEN RLZ7.5A -CP
ZD7004	48T15541Y53	DIO,ZEN MAZS0560H-CP
ZD7005	48T15541Y57	DIO,ZEN MAZS0680L-CP
ZD7006	48T35392Y07	DIO,ZEN RLZ5.6B -CP
=====Filters		
Z7001	91T45556Y06	EMI,NFM21HC102R1H-CP
Z7002	91T45556Y06	EMI,NFM21HC102R1H-CP
Z7003	91T75198W05	EMI,NFE61PT472C1H-E1
Z7004	91T45556Y06	EMI,NFM21HC102R1H-CP
=====Buzzer		
BZ7000	50T45330W01	BUZZER,PKM13EPP-4002
=====Crystal		
XL7000	91T35227Y09	XTL,CS10 19.6608M-E2
=====Fuse		
F7001	65T35516Y08	FUSE,TF16N 1.60A -CP
=====Thermistor		
TH7000	48T25250Y06	TMT,ERTJ1VR223G -CP
=====Capacitors		
C7000	08S45677W60	CAP,CER 102J-CH1H-CP
C7001	08S45677W60	CAP,CER 102J-CH1H-CP
C7002	08S45677W60	CAP,CER 102J-CH1H-CP
C7003	08S45677W60	CAP,CER 102J-CH1H-CP
C7008	08S45677W18	CAP,CER.18RJ-CH1H-CP
C7009	08S35350Y04	CAP,CER 105K-B1C -CP
C7010	08S45677W18	CAP,CER.18RJ-CH1H-CP
C7014	08S45676W80	CAP,CER 223K-B1E -CP
C7024	08S45676W80	CAP,CER 223K-B1E -CP
C7026	08S45676W85	CAP,CER 104K-B1C -CP
C7027	08S45676W80	CAP,CER 223K-B1E -CP
C7029	08S45676W80	CAP,CER 223K-B1E -CP
C7030	08S45676W80	CAP,CER 223K-B1E -CP
C7031	08S45676W80	CAP,CER 223K-B1E -CP
C7032	08S45676W85	CAP,CER 104K-B1C -CP
C7040	08S65128F78	CAP,CER.223K-B1H -CP
C7043	08S65128F78	CAP,CER.223K-B1H -CP
C7048	08S45676W69	CAP,CER.472K-B1H -CP
C7051	08S35374W07	CAP,CER 334K-B1C -CP
C7053	08S45676W80	CAP,CER 223K-B1E -CP
C7054	08S35374W07	CAP,CER 334K-B1C -CP
C7055	08S45676W80	CAP,CER 223K-B1E -CP
C7056	08S45676W65	CAP,CER.222K-B1H -CP
C7057	08S45676W85	CAP,CER 104K-B1C -CP
C7058	08S45676W73	CAP,CER.103K-B1H -CP
C7059	08S45676W80	CAP,CER 223K-B1E -CP
C7060	08S35374W08	CAP,CER 474K-B1C -CP
C7061	08S45677W60	CAP,CER 102J-CH1H-CP
C7062	08S45677W60	CAP,CER 102J-CH1H-CP
C7063	08S45677W60	CAP,CER 102J-CH1H-CP
C7064	08S45677W60	CAP,CER 102J-CH1H-CP
C7065	08S45677W60	CAP,CER 102J-CH1H-CP
C7066	08S45677W60	CAP,CER 102J-CH1H-CP
C7067	08S45677W60	CAP,CER 102J-CH1H-CP
C7068	08S45676W80	CAP,CER 223K-B1E -CP
C7069	08S45676W80	CAP,CER 223K-B1E -CP

C7070	08S45676W80	CAP,CER 223K-B1E -CP
C7071	08S45676W80	CAP,CER 223K-B1E -CP
C7072	08T81833F10	CAP,CER 106K-B0J -CP
C7073	08S45677W18	CAP,CER.18RJ-CH1H-CP
C7074	08T81833F10	CAP,CER 106K-B0J -CP
C7075	08S45677W18	CAP,CER.18RJ-CH1H-CP
C7076	08T81833F10	CAP,CER 106K-B0J -CP
C7077	08S45677W18	CAP,CER.18RJ-CH1H-CP
C7078	08T81833F07	CAP,CER 105K-B1C -CP
C7079	08T81833F10	CAP,CER 106K-B0J -CP
C7080	08T81833F10	CAP,CER 106K-B0J -CP
C7081	08S45676W80	CAP,CER 223K-B1E -CP
C7082	08S45676W80	CAP,CER 223K-B1E -CP
C7083	08S45676W80	CAP,CER 223K-B1E -CP
C7084	08S35374W07	CAP,CER 334K-B1C -CP
C7085	08S45676W80	CAP,CER 223K-B1E -CP
C7086	08S45676W80	CAP,CER 223K-B1E -CP
C7087	08S35374W07	CAP,CER 334K-B1C -CP
C7088	08S35374W07	CAP,CER 334K-B1C -CP
C7089	08S45676W80	CAP,CER 223K-B1E -CP
C7090	08S35374W07	CAP,CER 334K-B1C -CP
C7091	08S45676W80	CAP,CER 223K-B1E -CP
C7092	08S35374W07	CAP,CER 334K-B1C -CP
C7093	08S45676W80	CAP,CER 223K-B1E -CP
C7094	08S35374W12	CAP,CER 106K-B0J -CP
C7095	08S35374W12	CAP,CER 106K-B0J -CP
C7096	08S25667Y02	CAP,CER 226K-B1C -E2
C7100	08S25667Y02	CAP,CER 226K-B1C -E2
C7101	08S25667Y02	CAP,CER 226K-B1C -E2
C7102	08S25667Y02	CAP,CER 226K-B1C -E2
C7103	08S25667Y02	CAP,CER 226K-B1C -E2
C7104	08S25667Y02	CAP,CER 226K-B1C -E2
C7105	08S25667Y02	CAP,CER 226K-B1C -E2
C7106	08S25667Y02	CAP,CER 226K-B1C -E2
C7107	08S45677W28	CAP,CER 47RJ-CH1H-CP
C7108	08S45677W28	CAP,CER 47RJ-CH1H-CP
C7109	08S45677W28	CAP,CER 47RJ-CH1H-CP
C7110	08S45677W28	CAP,CER 47RJ-CH1H-CP
C7111	08S45677W28	CAP,CER 47RJ-CH1H-CP
C7112	08S45676W85	CAP,CER 104K-B1C -CP
C7113	08S25667Y02	CAP,CER 226K-B1C -E2
C7114	08S45676W85	CAP,CER 104K-B1C -CP
E7006	23T65002Y01	CAP,MVZ 221-1C-F80E6
E7008	23T15765Y59	CAP,TAN 221-1A-G -E2
E7009	23T15765Y59	CAP,TAN 221-1A-G -E2
E7019	23S55311W52	CAP,TAN.3R3-1E-B -CP
E7024	23S65134W15	CAP,ELY 331-0J(8)-E6
E7030	23T15765Y23	CAP,TAN 47R-1C-G -E2
E7031	23T15765Y23	CAP,TAN 47R-1C-G -E2
E7032	23T15765Y23	CAP,TAN 47R-1C-G -E2
E7033	23T15765Y23	CAP,TAN 47R-1C-G -E2
E7034	23T15765Y23	CAP,TAN 47R-1C-G -E2
E7035	23T15765Y23	CAP,TAN 47R-1C-G -E2

====Resistors

R7000	06S70072F53	RES,CP .102-J-1/4-CP
R7001	06S45674W81	RES,RK 103J 1/10 -CP
R7002	06S45674W57	RES,RK 102J 1/10 -CP

R7003	06S45674W57	RES,RK 102J 1/10 -CP
R7004	06S70072F25	RES,CP .68R-J-1/4-CP
R7005	06S70072F25	RES,CP .68R-J-1/4-CP
R7006	06S70072F29	RES,CP .101-J-1/4-CP
R7007	06S70072F29	RES,CP .101-J-1/4-CP
R7008	06S70072F29	RES,CP .101-J-1/4-CP
R7009	06S70072F29	RES,CP .101-J-1/4-CP
R7010	06S45674W81	RES,RK 103J 1/10 -CP
R7011	06S45674W81	RES,RK 103J 1/10 -CP
R7012	06S45674W33	RES,RK 101J 1/10 -CP
R7013	06S45674W57	RES,RK 102J 1/10 -CP
R7014	06S45675W43	RES,RK JUMPER1/10-CP
R7015	06S45675W43	RES,RK JUMPER1/10-CP
R7016	06S45674W97	RES,RK 473J 1/10 -CP
R7017	06S15593Y73	RES,RK 103F 1/10 -CP
R7018	06S15593Y81	RES,RK 223F 1/10 -CP
R7019	06S45674W65	RES,RK 222J 1/10 -CP
R7020	06S15593Y68	RES,RK 622F 1/10 -CP
R7021	06S45675W43	RES,RK JUMPER1/10-CP
R7022	06S45674W57	RES,RK 102J 1/10 -CP
R7023	06S15593Y71	RES,RK 822F 1/10 -CP
R7024	06S45674W57	RES,RK 102J 1/10 -CP
R7025	06S45674W57	RES,RK 102J 1/10 -CP
R7026	06S45674W57	RES,RK 102J 1/10 -CP
R7027	06S45674W57	RES,RK 102J 1/10 -CP
R7028	06S15593Y71	RES,RK 822F 1/10 -CP
R7029	06S15593Y71	RES,RK 822F 1/10 -CP
R7030	06S15594Y23	RES,RK JUMPER1/10-CP
R7032	06S70072F45	RES,CP .471-J-1/4-CP
R7062	06S45675W23	RES,RK 514J 1/10 -CP
R7063	06S70072F53	RES,CP .102-J-1/4-CP
R7064	06S70072F78	RES,CP .2R2-J-1/4-CP
R7065	06S70072F78	RES,CP .2R2-J-1/4-CP
R7066	06S70072F78	RES,CP .2R2-J-1/4-CP
R7071	06S45674W21	RES,RK 33RJ 1/10 -CP
R7073	06S70072F78	RES,CP .2R2-J-1/4-CP
R7074	06S70072F78	RES,CP .2R2-J-1/4-CP
R7075	06S70072F78	RES,CP .2R2-J-1/4-CP
R7080	06S45674W30	RES,RK 75RJ 1/10 -CP
R7081	06S45674W30	RES,RK 75RJ 1/10 -CP
R7093	06S35095Y08	RES,RK JUMPER 1/4-CP
R7094	06S15593Y49	RES,RK 102F 1/10 -CP
R7095	06S15593Y49	RES,RK 102F 1/10 -CP
R7096	06S45675W43	RES,RK JUMPER1/10-CP
R7097	06S45675W43	RES,RK JUMPER1/10-CP
R7098	06S45675W43	RES,RK JUMPER1/10-CP
R7099	06S45675W43	RES,RK JUMPER1/10-CP
R7101	06S35083Y50	RES,RK 124F 1/4 -CP
R7102	06S45348Y35	RES,RK 364F 1/4 -CP
R7103	06S70072F53	RES,CP .102-J-1/4-CP
R7104	06S95434W98	RES,RK JUMPER 1/4-CP
R7106	06S64995F95	RES,RK 563J 1/8 -CP
R7112	06S45674W97	RES,RK 473J 1/10 -CP
R7122	06S64995F93	RES,RK 473J 1/8 -CP
R7138	06S15593Y69	RES,RK 682F 1/10 -CP
R7139	06S15593Y47	RES,RK 821F 1/10 -CP
R7140	06S15593Y67	RES,RK 562F 1/10 -CP

R7141	06S45674W91	RES,RK 273J 1/10 -CP
R7142	06S95434W70	RES,RK 751J 1/4 -CP
R7144	06S95434W70	RES,RK 751J 1/4 -CP
R7145	06S95434W70	RES,RK 751J 1/4 -CP
R7146	06S45674W89	RES,RK 223J 1/10 -CP
R7147	06S45674W69	RES,RK 332J 1/10 -CP
R7148	06S15593Y49	RES,RK 102F 1/10 -CP
R7149	06S45674W65	RES,RK 222J 1/10 -CP
R7150	06S45674W89	RES,RK 223J 1/10 -CP
R7151	06S45675W22	RES,RK 474J 1/10 -CP
R7158	06S45674W33	RES,RK 101J 1/10 -CP
R7159	06S45674W33	RES,RK 101J 1/10 -CP
R7160	06S45674W33	RES,RK 101J 1/10 -CP
R7161	06S45675W43	RES,RK JUMPER1/10-CP
R7162	06S70072F18	RES,CP .36R-J-1/4-CP
R7163	06S70072F19	RES,CP .39R-J-1/4-CP
R7164	06S15593Y81	RES,RK 223F 1/10 -CP
R7165	06S15593Y73	RES,RK 103F 1/10 -CP
R7166	06S15593Y79	RES,RK 183F 1/10 -CP
R7167	06S15593Y47	RES,RK 821F 1/10 -CP
R7168	06S15593Y42	RES,RK 511F 1/10 -CP
R7169	06S15594Y04	RES,RK 184F 1/10 -CP
R7170	06S15593Y51	RES,RK 122F 1/10 -CP
R7171	06S15593Y41	RES,RK 471F 1/10 -CP
R7172	06S15593Y53	RES,RK 152F 1/10 -CP
R7173	06S15593Y25	RES,RK 101F 1/10 -CP
R7174	06S70072F18	RES,CP .36R-J-1/4-CP
R7175	06S70072F19	RES,CP .39R-J-1/4-CP
R7176	06S15593Y79	RES,RK 183F 1/10 -CP
R7177	06S15593Y73	RES,RK 103F 1/10 -CP
R7178	06S15593Y81	RES,RK 223F 1/10 -CP
R7179	06S15593Y42	RES,RK 511F 1/10 -CP
R7180	06S15593Y47	RES,RK 821F 1/10 -CP
R7181	06S15594Y04	RES,RK 184F 1/10 -CP
R7182	06S15593Y41	RES,RK 471F 1/10 -CP
R7183	06S15593Y51	RES,RK 122F 1/10 -CP
R7184	06S15593Y53	RES,RK 152F 1/10 -CP
R7185	06S15593Y25	RES,RK 101F 1/10 -CP
R7186	06S70072F18	RES,CP .36R-J-1/4-CP
R7187	06S70072F19	RES,CP .39R-J-1/4-CP
R7188	06S15593Y79	RES,RK 183F 1/10 -CP
R7189	06S15593Y73	RES,RK 103F 1/10 -CP
R7190	06S15593Y81	RES,RK 223F 1/10 -CP
R7191	06S15593Y42	RES,RK 511F 1/10 -CP
R7192	06S15593Y47	RES,RK 821F 1/10 -CP
R7193	06S15594Y04	RES,RK 184F 1/10 -CP
R7194	06S15593Y41	RES,RK 471F 1/10 -CP
R7195	06S15593Y51	RES,RK 122F 1/10 -CP
R7196	06S15593Y53	RES,RK 152F 1/10 -CP
R7197	06S15593Y25	RES,RK 101F 1/10 -CP
R7198	06S15593Y87	RES,RK 393F 1/10 -CP
R7199	06S15593Y81	RES,RK 223F 1/10 -CP
R7200	06S15593Y53	RES,RK 152F 1/10 -CP
R7201	06S15593Y55	RES,RK 182F 1/10 -CP
R7202	06S15593Y51	RES,RK 122F 1/10 -CP
R7203	06S15593Y56	RES,RK 202F 1/10 -CP
R7204	06S15593Y49	RES,RK 102F 1/10 -CP

R7205	06S15593Y25	RES,RK 101F 1/10 -CP
R7206	06S45675W43	RES,RK JUMPER1/10-CP
R7207	06S45675W43	RES,RK JUMPER1/10-CP
R7210	06S15594Y22	RES,RK 105F 1/10 -CP
R7211	06S15594Y22	RES,RK 105F 1/10 -CP
R7212	06S15593Y97	RES,RK 104F 1/10 -CP
R7213	06S15594Y22	RES,RK 105F 1/10 -CP
R7214	06S70072F78	RES,CP .2R2-J-1/4-CP
R7215	06S70072F78	RES,CP .2R2-J-1/4-CP
R7216	06S70072F78	RES,CP .2R2-J-1/4-CP
R7217	06S70072F78	RES,CP .2R2-J-1/4-CP
R7218	06S70072F78	RES,CP .2R2-J-1/4-CP
R7219	06S70072F78	RES,CP .2R2-J-1/4-CP
R7220	06S15593Y63	RES,RK 392F 1/10 -CP
R7221	06S15593Y25	RES,RK 101F 1/10 -CP
R7222	06S15593Y57	RES,RK 222F 1/10 -CP
R7223	06S15593Y57	RES,RK 222F 1/10 -CP
R7224	06S15593Y25	RES,RK 101F 1/10 -CP
R7225	06S15593Y63	RES,RK 392F 1/10 -CP
R7226	06S15593Y63	RES,RK 392F 1/10 -CP
R7227	06S15593Y25	RES,RK 101F 1/10 -CP
R7228	06S15593Y57	RES,RK 222F 1/10 -CP
R7229	06S15593Y75	RES,RK 123F 1/10 -CP
R7230	06S45675W43	RES,RK JUMPER1/10-CP
R7231	06S15593Y57	RES,RK 222F 1/10 -CP
R7232	06S15593Y69	RES,RK 682F 1/10 -CP
R7233	06S45675W43	RES,RK JUMPER1/10-CP
R7234	06S15593Y57	RES,RK 222F 1/10 -CP
R7239	06S45674W37	RES,RK 151J 1/10 -CP
R7241	06S45674W97	RES,RK 473J 1/10 -CP
R7242	06S15593Y49	RES,RK 102F 1/10 -CP
R7243	06S15593Y97	RES,RK 104F 1/10 -CP
R7244	06S45675W45	RES,RK 1R0J 1/10 -CP
R7245	06S15593Y63	RES,RK 392F 1/10 -CP
R7246	06S15593Y79	RES,RK 183F 1/10 -CP
R7249	06S45675W43	RES,RK JUMPER1/10-CP
R7250	06S45675W43	RES,RK JUMPER1/10-CP
R7251	06S45674W97	RES,RK 473J 1/10 -CP
R7252	06S45674W97	RES,RK 473J 1/10 -CP
R7253	06S15594Y23	RES,RK JUMPER1/10-CP
R7254	06S15594Y23	RES,RK JUMPER1/10-CP
R7255	06S15594Y23	RES,RK JUMPER1/10-CP
R7257	06S45675W43	RES,RK JUMPER1/10-CP
R7258	06S45675W43	RES,RK JUMPER1/10-CP
R7259	06S45674W51	RES,RK 561J 1/10 -CP
R7260	06S45674W51	RES,RK 561J 1/10 -CP
R7261	06S45675W43	RES,RK JUMPER1/10-CP
RA7000	06S45591W02	RES,ARY MNR473J 4-CP
RA7001	06S45591W06	RES,ARY MNR102J 4-CP
RA7002	06S45591W06	RES,ARY MNR102J 4-CP
RA7003	06S45591W06	RES,ARY MNR102J 4-CP
RA7004	06S45591W06	RES,ARY MNR102J 4-CP
RA7005	06S45591W06	RES,ARY MNR102J 4-CP
RA7006	06S45591W06	RES,ARY MNR102J 4-CP
RA7007	06S45591W06	RES,ARY MNR102J 4-CP
RA7008	06S45591W06	RES,ARY MNR102J 4-CP
RA7009	06S45591W06	RES,ARY MNR102J 4-CP

RA7010	06S45591W07	RES,ARY MNR101J 4-CP
RA7011	06S45591W06	RES,ARY MNR102J 4-CP
RA7012	06S45591W07	RES,ARY MNR101J 4-CP
RA7013	06S45591W06	RES,ARY MNR102J 4-CP
RA7014	06S45591W06	RES,ARY MNR102J 4-CP
=====Connectors		
CB7000	09T85454W10	WTB,53398-1090 -E9
CB7002	09T65267Y13	FFC,51374-1390 -E7
CB7003	09T85454W03	WTB,53398-0390 -E6
CB7004	09T45442Y45	FFC,54104-4592 -EQ
CB7008	09T15107Y20	FFC,52745-2090 -E9
CB7009	09T55048Y26	BTB,IMSA9856B-26Y-EZ
CB7010	09T65267Y50	FFC,51374-5090 -ER
CB7011	09T65267Y15	FFC,51374-1590 -E7
CB7012	09T85454W13	WTB,53398-1390 -ED

*****BE MAIN P.W.Board

=====IC's		
IC9102	51T35220Y01	TC7WH126FU-TE12L-SE1
IC9103	51T35220Y01	TC7WH126FU-TE12L-SE1
IC9110	51T25183Y02	TC7SET08FU-EL -CP
IC9111	51T25183Y02	TC7SET08FU-EL -CP
IC9201	51T55240Y01	PCM1742KE -SE2
IC9202	51T25576W07	NJM4580V-TE2 -SE2
IC9501	51T55239Y01	ES4428 -QT
IC9502	51T35385Y01	TC7MZ245FK-EL -SE2
IC9503	51T35385Y01	TC7MZ245FK-EL -SE2
IC9504	51T35220Y01	TC7WH126FU-TE12L-SE1
IC9505	51T35385Y01	TC7MZ245FK-EL -SE2
IC9510	51T25183Y02	TC7SET08FU-EL -CP
IC9701	51T55519Y01	HY57V641620HGT-HI-ST
IC9702	51T35453Y97	MBM29DL800TA-90
IC9703	51T55373Y01	W24L257Q70LE -ST
IC9704	51T55252Y01	TC74VHCT374AFT-ELSE5
IC9705	51T25141Y01	TC7SHU04FU-TE85L -CP
IC9706	51T25238Y01	TC7SH32F-TE85L -CP
IC9801	51T55238Y01	MC44722AVFU -QT
=====Transistors		
Q9551	48T94471F03	TR ,IMH1
Q9801	48T63420F01	TR,2SA1037AK-146 -CP
Q9802	48T63420F01	TR,2SA1037AK-146 -CP
=====Diodes		
D9551	48T25665Y01	DIO,1SS355-TE17 -CP
SD9551	48T95117F01	DIO,CP MA713 -CP
=====Coils		
L9101	24T65068Y14	FBI,MMZ1608Y102BT-CP
L9110	24T65067Y03	FBI,MMZ1005S800AT-CP
L9201	24T65068Y15	FBI,MMZ1608Y152BT-CP
L9210	24T65068Y14	FBI,MMZ1608Y102BT-CP
L9503	24T65068Y15	FBI,MMZ1608Y152BT-CP
L9505	24T65068Y15	FBI,MMZ1608Y152BT-CP
L9506	24T65068Y15	FBI,MMZ1608Y152BT-CP
L9530	24T65067Y04	FBI,MMZ1005S121AT-CP
L9531	24T65067Y04	FBI,MMZ1005S121AT-CP
L9532	24T65067Y04	FBI,MMZ1005S121AT-CP
L9601	24T65067Y04	FBI,MMZ1005S121AT-CP
L9801	24T65068Y14	FBI,MMZ1608Y102BT-CP

L9802	24T35246Y12	IND,LEM2520 6R8J -CP
L9803	24T35246Y12	IND,LEM2520 6R8J -CP
===== Crystal		
XL9601	91T65170Y01	XTL,2725T 27.000M-E2
===== Capacitors		
C9102	08S45232Y17	CAP,CER 104K-B0J -CP
C9103	08S45232Y17	CAP,CER 104K-B0J -CP
C9104	08S45232Y17	CAP,CER 104K-B0J -CP
C9105	08S45232Y17	CAP,CER 104K-B0J -CP
C9106	08S45232Y17	CAP,CER 104K-B0J -CP
C9107	08S45232Y17	CAP,CER 104K-B0J -CP
C9120	08S45232Y17	CAP,CER 104K-B0J -CP
C9122	08S45232Y17	CAP,CER 104K-B0J -CP
C9130	08T81833F12	CAP,CER 106K-B1A -CP
C9131	08T65555Y01	CAP,CER 226K-BJ0J-CP
C9132	08S45232Y05	CAP,CER 102K-B1H -CP
C9133	08S45232Y05	CAP,CER 102K-B1H -CP
C9201	08S45676W80	CAP,CER 223K-B1E -CP
C9202	08S45676W80	CAP,CER 223K-B1E -CP
C9203	08S45676W80	CAP,CER 223K-B1E -CP
C9204	08S45676W80	CAP,CER 223K-B1E -CP
C9205	08S45676W80	CAP,CER 223K-B1E -CP
C9206	08T25191Y06	CAP,CER 335K-B1A -CP
C9207	08T25191Y06	CAP,CER 335K-B1A -CP
C9208	08S45677W52	CAP,CER 471J-CH1H-CP
C9209	08S45677W52	CAP,CER 471J-CH1H-CP
C9210	08S45677W38	CAP,CER 121J-CH1H-CP
C9211	08S45677W38	CAP,CER 121J-CH1H-CP
C9212	08S45677W41	CAP,CER 161J-CH1H-CP
C9213	08S45677W41	CAP,CER 161J-CH1H-CP
C9220	08S45232Y17	CAP,CER 104K-B0J -CP
C9230	08T81833F11	CAP,CER 225K-B1C -CP
C9240	08T81833F12	CAP,CER 106K-B1A -CP
C9241	08T81833F12	CAP,CER 106K-B1A -CP
C9242	08T81833F12	CAP,CER 106K-B1A -CP
C9243	08T81833F12	CAP,CER 106K-B1A -CP
C9244	08T81833F12	CAP,CER 106K-B1A -CP
C9501	08S45232Y17	CAP,CER 104K-B0J -CP
C9502	08S45232Y17	CAP,CER 104K-B0J -CP
C9503	08S45232Y17	CAP,CER 104K-B0J -CP
C9504	08S45232Y17	CAP,CER 104K-B0J -CP
C9505	08S45232Y17	CAP,CER 104K-B0J -CP
C9506	08S45232Y17	CAP,CER 104K-B0J -CP
C9507	08S45677W40	CAP,CER.151J-CH1H-CP
C9508	08S45232Y17	CAP,CER 104K-B0J -CP
C9509	08S45232Y17	CAP,CER 104K-B0J -CP
C9510	08S45232Y17	CAP,CER 104K-B0J -CP
C9511	08S45232Y17	CAP,CER 104K-B0J -CP
C9512	08S45232Y17	CAP,CER 104K-B0J -CP
C9513	08S45232Y17	CAP,CER 104K-B0J -CP
C9514	08S45232Y17	CAP,CER 104K-B0J -CP
C9515	08S45232Y17	CAP,CER 104K-B0J -CP
C9516	08S45232Y17	CAP,CER 104K-B0J -CP
C9517	08S45232Y17	CAP,CER 104K-B0J -CP
C9518	08S45232Y17	CAP,CER 104K-B0J -CP
C9519	08S45232Y17	CAP,CER 104K-B0J -CP
C9520	08S45232Y17	CAP,CER 104K-B0J -CP

C9521	08S45232Y17	CAP,CER 104K-B0J -CP
C9522	08S45232Y17	CAP,CER 104K-B0J -CP
C9523	08S45232Y17	CAP,CER 104K-B0J -CP
C9524	08S45232Y17	CAP,CER 104K-B0J -CP
C9525	08S45232Y17	CAP,CER 104K-B0J -CP
C9526	08S45232Y17	CAP,CER 104K-B0J -CP
C9533	08S45232Y17	CAP,CER 104K-B0J -CP
C9534	08S45232Y17	CAP,CER 104K-B0J -CP
C9535	08S45232Y17	CAP,CER 104K-B0J -CP
C9536	08S45232Y17	CAP,CER 104K-B0J -CP
C9537	08S45232Y05	CAP,CER 102K-B1H -CP
C9538	08S45232Y17	CAP,CER 104K-B0J -CP
C9539	08S45232Y05	CAP,CER 102K-B1H -CP
C9542	08S45232Y17	CAP,CER 104K-B0J -CP
C9543	08S45232Y17	CAP,CER 104K-B0J -CP
C9544	08S45232Y17	CAP,CER 104K-B0J -CP
C9545	08S45232Y17	CAP,CER 104K-B0J -CP
C9550	08S45232Y05	CAP,CER 102K-B1H -CP
C9560	08S45232Y17	CAP,CER 104K-B0J -CP
C9561	08S45232Y17	CAP,CER 104K-B0J -CP
C9562	08S45232Y17	CAP,CER 104K-B0J -CP
C9570	08T65555Y01	CAP,CER 226K-BJ0J-CP
C9571	08S45232Y17	CAP,CER 104K-B0J -CP
C9572	08S45232Y17	CAP,CER 104K-B0J -CP
C9573	08S45232Y05	CAP,CER 102K-B1H -CP
C9574	08S45232Y17	CAP,CER 104K-B0J -CP
C9575	08S45232Y17	CAP,CER 104K-B0J -CP
C9701	08S45232Y17	CAP,CER 104K-B0J -CP
C9702	08S45232Y17	CAP,CER 104K-B0J -CP
C9703	08S45232Y17	CAP,CER 104K-B0J -CP
C9704	08S45232Y17	CAP,CER 104K-B0J -CP
C9705	08S45232Y17	CAP,CER 104K-B0J -CP
C9706	08S45232Y17	CAP,CER 104K-B0J -CP
C9707	08S45232Y17	CAP,CER 104K-B0J -CP
C9708	08S45232Y17	CAP,CER 104K-B0J -CP
C9709	08S45232Y17	CAP,CER 104K-B0J -CP
C9710	08S45232Y17	CAP,CER 104K-B0J -CP
C9711	08S45232Y17	CAP,CER 104K-B0J -CP
C9712	08S45232Y17	CAP,CER 104K-B0J -CP
C9713	08S45232Y17	CAP,CER 104K-B0J -CP
C9714	08S45232Y17	CAP,CER 104K-B0J -CP
C9720	08T65555Y01	CAP,CER 226K-BJ0J-CP
C9721	08S45232Y17	CAP,CER 104K-B0J -CP
C9722	08S45232Y17	CAP,CER 104K-B0J -CP
C9723	08T65555Y01	CAP,CER 226K-BJ0J-CP
C9724	08S45232Y17	CAP,CER 104K-B0J -CP
C9801	08S45232Y17	CAP,CER 104K-B0J -CP
C9802	08S45232Y17	CAP,CER 104K-B0J -CP
C9803	08S45232Y17	CAP,CER 104K-B0J -CP
C9804	08S45232Y17	CAP,CER 104K-B0J -CP
C9805	08S45232Y17	CAP,CER 104K-B0J -CP
C9806	08S45232Y17	CAP,CER 104K-B0J -CP
C9807	08S45677W36	CAP,CER.101J-CH1H-CP
C9808	08S45677W14	CAP,CER.12RJ-CH1H-CP
C9809	08S45676W80	CAP,CER 223K-B1E -CP
C9810	08S45677W36	CAP,CER.101J-CH1H-CP
C9811	08S45677W14	CAP,CER.12RJ-CH1H-CP

C9812	08S45676W80	CAP,CER 223K-B1E -CP
C9813	08S45232Y17	CAP,CER 104K-B0J -CP
C9816	08S45232Y17	CAP,CER 104K-B0J -CP
C9830	08S45676W80	CAP,CER 223K-B1E -CP
C9831	08S45677W60	CAP,CER 102J-CH1H-CP
C9832	08S45677W60	CAP,CER 102J-CH1H-CP
C9840	08T81833F12	CAP,CER 106K-B1A -CP
C9841	08T65555Y01	CAP,CER 226K-BJ0J-CP
C9851	08S45232Y17	CAP,CER 104K-B0J -CP

=====Resistors

R9101	06S15615Y81	RES,RK 223J 1/16 -CP
R9102	06S15615Y81	RES,RK 223J 1/16 -CP
R9103	06S15615Y81	RES,RK 223J 1/16 -CP
R9105	06S15616Y23	RES,RK JUMPER1/16-CP
R9106	06S15616Y23	RES,RK JUMPER1/16-CP
R9107	06S15615Y81	RES,RK 223J 1/16 -CP
R9115	06S15616Y23	RES,RK JUMPER1/16-CP
R9116	06S15616Y23	RES,RK JUMPER1/16-CP
R9117	06S15616Y23	RES,RK JUMPER1/16-CP
R9118	06S15616Y23	RES,RK JUMPER1/16-CP
R9121	06S15615Y37	RES,RK 331J 1/16 -CP
R9122	06S15615Y13	RES,RK 33RJ 1/16 -CP
R9123	06S15615Y37	RES,RK 331J 1/16 -CP
R9124	06S15615Y13	RES,RK 33RJ 1/16 -CP
R9125	06S15615Y13	RES,RK 33RJ 1/16 -CP
R9140	06S15615Y81	RES,RK 223J 1/16 -CP
R9141	06S15615Y81	RES,RK 223J 1/16 -CP
R9150	06S15616Y23	RES,RK JUMPER1/16-CP
R9190	06S95432W61	RES,RK 102J 1/8 -CP
R9204	06S15616Y23	RES,RK JUMPER1/16-CP
R9205	06S15593Y69	RES,RK 682F 1/10 -CP
R9206	06S15593Y69	RES,RK 682F 1/10 -CP
R9207	06S15593Y69	RES,RK 682F 1/10 -CP
R9208	06S15593Y69	RES,RK 682F 1/10 -CP
R9209	06S15593Y51	RES,RK 122F 1/10 -CP
R9210	06S15593Y51	RES,RK 122F 1/10 -CP
R9211	06S15593Y89	RES,RK 473F 1/10 -CP
R9212	06S15593Y89	RES,RK 473F 1/10 -CP
R9213	06S15593Y75	RES,RK 123F 1/10 -CP
R9214	06S15593Y75	RES,RK 123F 1/10 -CP
R9215	06S15593Y77	RES,RK 153F 1/10 -CP
R9216	06S15593Y77	RES,RK 153F 1/10 -CP
R9217	06S15593Y67	RES,RK 562F 1/10 -CP
R9218	06S15593Y67	RES,RK 562F 1/10 -CP
R9219	06S15593Y89	RES,RK 473F 1/10 -CP
R9220	06S15593Y89	RES,RK 473F 1/10 -CP
R9221	06S15593Y17	RES,RK 47RF 1/10 -CP
R9222	06S15593Y17	RES,RK 47RF 1/10 -CP
R9503	06S15615Y73	RES,RK 103J 1/16 -CP
R9504	06S15615Y25	RES,RK 101J 1/16 -CP
R9505	06S15615Y25	RES,RK 101J 1/16 -CP
R9506	06S15615Y25	RES,RK 101J 1/16 -CP
R9507	06S15615Y25	RES,RK 101J 1/16 -CP
R9508	06S15615Y21	RES,RK 68RJ 1/16 -CP
R9509	06S15615Y09	RES,RK 22RJ 1/16 -CP
R9510	06S15615Y21	RES,RK 68RJ 1/16 -CP
R9511	06S15615Y21	RES,RK 68RJ 1/16 -CP

R9512	06S15615Y21	RES,RK 68RJ 1/16 -CP
R9513	06S15615Y21	RES,RK 68RJ 1/16 -CP
R9514	06S15615Y21	RES,RK 68RJ 1/16 -CP
R9515	06S15615Y21	RES,RK 68RJ 1/16 -CP
R9516	06S15615Y21	RES,RK 68RJ 1/16 -CP
R9517	06S15615Y21	RES,RK 68RJ 1/16 -CP
R9518	06S15615Y21	RES,RK 68RJ 1/16 -CP
R9519	06S15615Y21	RES,RK 68RJ 1/16 -CP
R9520	06S15615Y21	RES,RK 68RJ 1/16 -CP
R9521	06S15615Y21	RES,RK 68RJ 1/16 -CP
R9522	06S15615Y21	RES,RK 68RJ 1/16 -CP
R9523	06S15615Y21	RES,RK 68RJ 1/16 -CP
R9524	06S15615Y21	RES,RK 68RJ 1/16 -CP
R9525	06S15615Y21	RES,RK 68RJ 1/16 -CP
R9526	06S15615Y21	RES,RK 68RJ 1/16 -CP
R9527	06S15615Y21	RES,RK 68RJ 1/16 -CP
R9528	06S15615Y21	RES,RK 68RJ 1/16 -CP
R9529	06S15615Y21	RES,RK 68RJ 1/16 -CP
R9530	06S15615Y21	RES,RK 68RJ 1/16 -CP
R9531	06S15615Y21	RES,RK 68RJ 1/16 -CP
R9532	06S15615Y21	RES,RK 68RJ 1/16 -CP
R9533	06S15615Y21	RES,RK 68RJ 1/16 -CP
R9534	06S15615Y21	RES,RK 68RJ 1/16 -CP
R9535	06S15615Y21	RES,RK 68RJ 1/16 -CP
R9536	06S15615Y21	RES,RK 68RJ 1/16 -CP
R9537	06S15615Y21	RES,RK 68RJ 1/16 -CP
R9538	06S15615Y21	RES,RK 68RJ 1/16 -CP
R9539	06S15615Y21	RES,RK 68RJ 1/16 -CP
R9540	06S15615Y21	RES,RK 68RJ 1/16 -CP
R9541	06S15615Y21	RES,RK 68RJ 1/16 -CP
R9542	06S15615Y21	RES,RK 68RJ 1/16 -CP
R9543	06S15615Y21	RES,RK 68RJ 1/16 -CP
R9544	06S15615Y21	RES,RK 68RJ 1/16 -CP
R9545	06S15615Y21	RES,RK 68RJ 1/16 -CP
R9551	06S45674W73	RES,RK 472J 1/10 -CP
R9552	06S15615Y65	RES,RK 472J 1/16 -CP
R9554	06S15615Y21	RES,RK 68RJ 1/16 -CP
R9555	06S15615Y21	RES,RK 68RJ 1/16 -CP
R9573	06S45674W33	RES,RK 101J 1/10 -CP
R9578	06S15615Y25	RES,RK 101J 1/16 -CP
R9582	06S15615Y25	RES,RK 101J 1/16 -CP
R9583	06S15615Y25	RES,RK 101J 1/16 -CP
R9585	06S15615Y21	RES,RK 68RJ 1/16 -CP
R9587	06S15615Y21	RES,RK 68RJ 1/16 -CP
R9588	06S15615Y21	RES,RK 68RJ 1/16 -CP
R9589	06S15615Y09	RES,RK 22RJ 1/16 -CP
R9590	06S15615Y09	RES,RK 22RJ 1/16 -CP
R9591	06S15615Y65	RES,RK 472J 1/16 -CP
R9592	06S15615Y65	RES,RK 472J 1/16 -CP
R9612	06S15615Y73	RES,RK 103J 1/16 -CP
R9614	06S15615Y25	RES,RK 101J 1/16 -CP
R9616	06S15615Y25	RES,RK 101J 1/16 -CP
R9620	06S45675W43	RES,RK JUMPER1/10-CP
R9621	06S15615Y09	RES,RK 22RJ 1/16 -CP
R9622	06S15615Y09	RES,RK 22RJ 1/16 -CP
R9625	06S15615Y73	RES,RK 103J 1/16 -CP
R9626	06S15615Y73	RES,RK 103J 1/16 -CP

R9627	06S15615Y73	RES,RK 103J 1/16 -CP
R9628	06S15615Y73	RES,RK 103J 1/16 -CP
R9629	06S15615Y73	RES,RK 103J 1/16 -CP
R9630	06S45675W43	RES,RK JUMPER1/10-CP
R9633	06S15615Y73	RES,RK 103J 1/16 -CP
R9635	06S15615Y73	RES,RK 103J 1/16 -CP
R9650	06S15615Y21	RES,RK 68RJ 1/16 -CP
R9660	06S15615Y21	RES,RK 68RJ 1/16 -CP
R9661	06S15615Y21	RES,RK 68RJ 1/16 -CP
R9662	06S15615Y21	RES,RK 68RJ 1/16 -CP
R9663	06S15615Y21	RES,RK 68RJ 1/16 -CP
R9664	06S15615Y73	RES,RK 103J 1/16 -CP
R9671	06S15616Y23	RES,RK JUMPER1/16-CP
R9672	06S15616Y23	RES,RK JUMPER1/16-CP
R9673	06S15616Y23	RES,RK JUMPER1/16-CP
R9675	06S15615Y49	RES,RK 102J 1/16 -CP
R9702	06S15615Y81	RES,RK 223J 1/16 -CP
R9703	06S15615Y73	RES,RK 103J 1/16 -CP
R9710	06S15615Y21	RES,RK 68RJ 1/16 -CP
R9711	06S15615Y21	RES,RK 68RJ 1/16 -CP
R9712	06S15615Y21	RES,RK 68RJ 1/16 -CP
R9713	06S15615Y21	RES,RK 68RJ 1/16 -CP
R9803	06S45674W39	RES,RK 181J 1/10 -CP
R9804	06S45674W39	RES,RK 181J 1/10 -CP
R9805	06S45674W39	RES,RK 181J 1/10 -CP
R9806	06S15593Y55	RES,RK 182F 1/10 -CP
R9807	06S15593Y54	RES,RK 162F 1/10 -CP
R9808	06S15593Y53	RES,RK 152F 1/10 -CP
R9810	06S45674W39	RES,RK 181J 1/10 -CP
R9811	06S45675W43	RES,RK JUMPER1/10-CP
R9812	06S15593Y39	RES,RK 391F 1/10 -CP
R9813	06S15593Y39	RES,RK 391F 1/10 -CP
R9814	06S35084Y17	RES,RK 221F 1/8 -CP
R9815	06S15593Y39	RES,RK 391F 1/10 -CP
R9816	06S15593Y39	RES,RK 391F 1/10 -CP
R9817	06S35084Y17	RES,RK 221F 1/8 -CP
R9818	06S35084Y17	RES,RK 221F 1/8 -CP
R9819	06S35084Y17	RES,RK 221F 1/8 -CP
R9830	06S45675W43	RES,RK JUMPER1/10-CP
RA9504	06S15771Y11	RES,ARYEXB28V68RJ-CP
RA9505	06S15771Y11	RES,ARYEXB28V68RJ-CP
RA9506	06S15771Y13	RES,ARYEXB28V101J-CP
RA9507	06S15771Y13	RES,ARYEXB28V101J-CP
RA9508	06S15771Y13	RES,ARYEXB28V101J-CP
RA9509	06S15771Y13	RES,ARYEXB28V101J-CP
RA9510	06S15771Y13	RES,ARYEXB28V101J-CP
RA9511	06S15771Y13	RES,ARYEXB28V101J-CP
RA9512	06S15771Y13	RES,ARYEXB28V101J-CP
RA9513	06S15771Y13	RES,ARYEXB28V101J-CP
RA9514	06S15771Y13	RES,ARYEXB28V101J-CP
RA9515	06S15771Y13	RES,ARYEXB28V101J-CP
RA9516	06S15771Y13	RES,ARYEXB28V101J-CP
RA9517	06S15771Y13	RES,ARYEXB28V101J-CP
RA9518	06S15771Y11	RES,ARYEXB28V68RJ-CP
RA9519	06S15771Y11	RES,ARYEXB28V68RJ-CP
RA9520	06S15771Y11	RES,ARYEXB28V68RJ-CP
RA9521	06S15771Y11	RES,ARYEXB28V68RJ-CP

=====Connectors			
CB9102	09T45442Y45	FFC,54104-4592	-EQ
CB9501	09T45442Y50	FFC,54104-5092	-EQ
*****LCD P.W.Board			
=====IC's			
IC8501	51T65062Y01	AD9883AKST-110	-QT
IC8502	51T55369Y01	TC6398XB	-BT
IC8503	51T55593Y01	HY57V643220CLT-7I-ST	
=====Transistors			
Q8501	48T25137Y02	TR,UN9212J-TX	-CP
Q8502	48T25137Y16	TR,UN921LJ-TX	-CP
Q8503	48T25327Y03	TR,UMY1N-TR	-CP
Q8504	48T35586W01	TR ,2SC3518-Z	-NE5
Q8505	48T35586W01	TR ,2SC3518-Z	-NE5
=====Coils			
L8501	24T25578Y10	IND,D124C 47RM	-EA
L8503	24T95456W01	FBI,BLM18PG300SH1-CP	
L8504	24T95456W01	FBI,BLM18PG300SH1-CP	
L8505	24T95456W06	FBI,BLM18BD601SH1-CP	
L8506	24T95456W06	FBI,BLM18BD601SH1-CP	
L8507	24T95456W06	FBI,BLM18BD601SH1-CP	
L8508	24T95456W06	FBI,BLM18BD601SH1-CP	
L8509	24T95456W06	FBI,BLM18BD601SH1-CP	
L8510	24T95456W06	FBI,BLM18BD601SH1-CP	
L8511	24T95456W06	FBI,BLM18BD601SH1-CP	
L8512	24T95456W06	FBI,BLM18BD601SH1-CP	
L8513	24T95456W06	FBI,BLM18BD601SH1-CP	
L8514	24T95456W06	FBI,BLM18BD601SH1-CP	
L8515	24T95456W06	FBI,BLM18BD601SH1-CP	
L8516	24T95456W06	FBI,BLM18BD601SH1-CP	
L8517	24T95456W06	FBI,BLM18BD601SH1-CP	
=====Filters			
Z8501	91T45556Y07	EMI,NFM21HC222R1H-CP	
Z8502	91T45556Y07	EMI,NFM21HC222R1H-CP	
Z8503	91T45556Y07	EMI,NFM21HC222R1H-CP	
Z8504	91T45556Y07	EMI,NFM21HC222R1H-CP	
Z8505	91T45556Y07	EMI,NFM21HC222R1H-CP	
Z8506	91T75198W05	EMI,NFE61PT472C1H-E1	
Z8507	91T45556Y07	EMI,NFM21HC222R1H-CP	
=====Crystals			
XL8501	91T45265Y04	XTL,2770Y 33.231M-E2	
XL8502	91T45265Y07	XTL,2770Y 27M	-E2
=====Transformers			
T8501	25T25447Y03	TRANS,BLC216 900A0-T	
T8502	25T25447Y03	TRANS,BLC216 900A0-T	
=====Thermistor			
TH8501	48T25250Y06	TMT,ERTJ1VR223G	-CP
=====Capacitors			
C8501	08S35350Y05	CAP,CER 105K-B1A	-CP
C8502	08S65128F81	CAP,CER.393K-B1H	-CP
C8503	08S45676W68	CAP,CER.392K-B1H	-CP
C8504	08T35688Y01	CAP,CER 106KX5R1C-CP	
C8505	08S35350Y05	CAP,CER 105K-B1A	-CP
C8506	08S45676W85	CAP,CER 104K-B1C	-CP
C8507	08S45676W85	CAP,CER 104K-B1C	-CP
C8508	08S45676W85	CAP,CER 104K-B1C	-CP

C8509	08S35350Y05	CAP,CER 105K-B1A -CP
C8510	08S45676W85	CAP,CER 104K-B1C -CP
C8511	08S45676W85	CAP,CER 104K-B1C -CP
C8512	08S45676W85	CAP,CER 104K-B1C -CP
C8513	08S45676W85	CAP,CER 104K-B1C -CP
C8514	08S45677W60	CAP,CER 102J-CH1H-CP
C8515	08S45676W85	CAP,CER 104K-B1C -CP
C8516	08S45676W85	CAP,CER 104K-B1C -CP
C8517	08T55401W47	CAP,TF 154G-1H -E2
C8519	08S45676W85	CAP,CER 104K-B1C -CP
C8520	08S45676W85	CAP,CER 104K-B1C -CP
C8521	08S45676W85	CAP,CER 104K-B1C -CP
C8522	08S45676W73	CAP,CER.103K-B1H -CP
C8523	08S45676W73	CAP,CER.103K-B1H -CP
C8524	08S45676W73	CAP,CER.103K-B1H -CP
C8525	08S45676W73	CAP,CER.103K-B1H -CP
C8526	08S45676W73	CAP,CER.103K-B1H -CP
C8528	08S45676W73	CAP,CER.103K-B1H -CP
C8530	08S45676W73	CAP,CER.103K-B1H -CP
C8532	08S45676W73	CAP,CER.103K-B1H -CP
C8534	08S45676W85	CAP,CER 104K-B1C -CP
C8535	08S45676W85	CAP,CER 104K-B1C -CP
C8536	08S45676W85	CAP,CER 104K-B1C -CP
C8537	08S45676W80	CAP,CER 223K-B1E -CP
C8538	08S45676W80	CAP,CER 223K-B1E -CP
C8539	08S45676W80	CAP,CER 223K-B1E -CP
C8540	08S35350Y04	CAP,CER 105K-B1C -CP
C8541	08S45677W36	CAP,CER.101J-CH1H-CP
C8542	08S45677W36	CAP,CER.101J-CH1H-CP
C8543	08S45677W36	CAP,CER.101J-CH1H-CP
C8544	08S35374W12	CAP,CER 106K-B0J -CP
C8545	08S35374W12	CAP,CER 106K-B0J -CP
C8546	08S35374W12	CAP,CER 106K-B0J -CP
C8547	08S45677W36	CAP,CER.101J-CH1H-CP
C8548	08S45677W36	CAP,CER.101J-CH1H-CP
C8549	08S45677W36	CAP,CER.101J-CH1H-CP
C8551	08S45677W36	CAP,CER.101J-CH1H-CP
C8552	08S45677W36	CAP,CER.101J-CH1H-CP
C8553	08S45677W36	CAP,CER.101J-CH1H-CP
C8554	08S45677W36	CAP,CER.101J-CH1H-CP
C8555	08S45677W36	CAP,CER.101J-CH1H-CP
C8556	08S45677W28	CAP,CER 47RJ-CH1H-CP
C8557	08S45677W28	CAP,CER 47RJ-CH1H-CP
C8558	08S45231Y21	CAP,CER 47RJ-CH1H-CP
C8559	08S45231Y21	CAP,CER 47RJ-CH1H-CP
C8560	08S45231Y21	CAP,CER 47RJ-CH1H-CP
C8561	08S45231Y21	CAP,CER 47RJ-CH1H-CP
C8562	08S45231Y21	CAP,CER 47RJ-CH1H-CP
C8563	08S45231Y21	CAP,CER 47RJ-CH1H-CP
C8564	08S45231Y21	CAP,CER 47RJ-CH1H-CP
C8565	08S45231Y21	CAP,CER 47RJ-CH1H-CP
C8566	08S45231Y21	CAP,CER 47RJ-CH1H-CP
C8567	08S45231Y21	CAP,CER 47RJ-CH1H-CP
C8568	08S45231Y21	CAP,CER 47RJ-CH1H-CP
C8569	08S45231Y21	CAP,CER 47RJ-CH1H-CP
C8570	08S45231Y21	CAP,CER 47RJ-CH1H-CP
C8571	08S45231Y21	CAP,CER 47RJ-CH1H-CP

C8572	08S45231Y21	CAP,CER 47RJ-CH1H-CP
C8573	08S45231Y21	CAP,CER 47RJ-CH1H-CP
C8574	08S45231Y21	CAP,CER 47RJ-CH1H-CP
C8575	08S45231Y21	CAP,CER 47RJ-CH1H-CP
C8576	08S45231Y21	CAP,CER 47RJ-CH1H-CP
E8501	23S65134W23	CAP,ELY 101-1A(6)-E6
E8502	23S65134W23	CAP,ELY 101-1A(6)-E6
=====Resistors		
R8501	06S45674W69	RES,RK 332J 1/10 -CP
R8502	06S70072F05	RES,CP .10R-J-1/4-CP
R8503	06S45674W67	RES,RK 272J 1/10 -CP
R8504	06S70072F51	RES,CP .821-J-1/4-CP
R8505	06S70072F51	RES,CP .821-J-1/4-CP
R8506	06S45674W41	RES,RK 221J 1/10 -CP
R8507	06S45674W41	RES,RK 221J 1/10 -CP
R8508	06S45674W41	RES,RK 221J 1/10 -CP
R8509	06S45674W78	RES,RK 752J 1/10 -CP
R8510	06S45675W43	RES,RK JUMPER1/10-CP
R8511	06S45674W97	RES,RK 473J 1/10 -CP
R8512	06S45675W43	RES,RK JUMPER1/10-CP
R8513	06S45675W43	RES,RK JUMPER1/10-CP
R8514	06S45675W43	RES,RK JUMPER1/10-CP
R8518	06S95434W98	RES,RK JUMPER 1/4-CP
R8520	06S45675W43	RES,RK JUMPER1/10-CP
R8521	06S15593Y65	RES,RK 472F 1/10 -CP
R8522	06S15593Y65	RES,RK 472F 1/10 -CP
R8523	06S45674W97	RES,RK 473J 1/10 -CP
=====Connectors		
CB8501	09T45507Y50	FFC,IMSA9631S-50Y-EQ
CB8502	09T15107Y10	FFC,52745-1090 -E9
CB8503	09T15107Y10	FFC,52745-1090 -E9
CB8504	09T85214W05	WTB,SM03(7-D1)8 -E9
CB8505	09T15536Y30	FFC,FH12-30S-0.5S-ED
*****DF P.W.Board		
=====IC's		
IC7901	51T25419Y01	RS-181 -NE6
IC7902	51T55185Y02	TPS850 -CP
=====Transistor		
Q7904	48T73888F12	TR ,CP.FMC2-99
=====Diode		
D7901	48T15707Y01	DIO,MA133-TX -CP
=====LED's		
LD7901	48T25534Y02	LED,RED BR1111C -CP
LD7902	48T25534Y02	LED,RED BR1111C -CP
LD7903	48T25534Y01	LED,GRN BG1111C -CP
LD7904	48T65477W03	LED,SML-010PTT87 -CP(GRN)
LD7905	48T25534Y01	LED,GRN BG1111C -CP
LD7906	48T65477W03	LED,SML-010PTT87 -CP(GRN)
LD7907	48T65477W03	LED,SML-010PTT87 -CP(GRN)
LD7909	48T65206Y01	LED,GRN SML311EB1TCP
LD7910	48T65206Y01	LED,GRN SML311EB1TCP
LD7911	48T65477W03	LED,SML-010PTT87 -CP(GRN)
LD7912	48T25534Y01	LED,GRN BG1111C -CP
LD7913	48T25534Y01	LED,GRN BG1111C -CP
=====Switches		
SW7901	40T55656W06	SW,TACT SKQMAJ001-E2(EJECT)

SW7902	40T55656W06	SW,TACT SKQMAJ001-E2 (SOURCE/POWER)
SW7903	40T55656W06	SW,TACT SKQMAJ001-E2 (BAND/MODE/DISP.)
SW7904	40T55656W06	SW,TACT SKQMAJ001-E2(V.SEL)
SW7905	40T55656W06	SW,TACT SKQMAJ001-E2(LIST/INPUT)
SW7906	40T55656W06	SW,TACT SKQMAJ001-E2(SPE.ANA)
SW7907	40T55656W06	SW,TACT SKQMAJ001-E2(REAR)
=====Capacitors		
C7901	08S45676W94	CAP,CER 563K-B1C -CP
C7902	08T81833F10	CAP,CER 106K-B0J -CP
C7903	08S35349Y12	CAP,CER 105K-B0J -CP
C7904	08S45677W42	CAP,CER.181J-CH1H-CP
C7905	08S45677W42	CAP,CER.181J-CH1H-CP
C7906	08S45677W42	CAP,CER.181J-CH1H-CP
C7907	08S45677W42	CAP,CER.181J-CH1H-CP
C7908	08S45677W42	CAP,CER.181J-CH1H-CP
C7909	08S45677W42	CAP,CER.181J-CH1H-CP
C7910	08S45677W42	CAP,CER.181J-CH1H-CP
=====Resistors		
R7901	06S15593Y53	RES,RK 152F 1/10 -CP
R7902	06S15593Y57	RES,RK 222F 1/10 -CP
R7903	06S15593Y61	RES,RK 332F 1/10 -CP
R7904	06S15593Y67	RES,RK 562F 1/10 -CP
R7905	06S15593Y75	RES,RK 123F 1/10 -CP
R7906	06S15593Y85	RES,RK 333F 1/10 -CP
R7907	06S70072F53	RES,CP .102-J-1/4-CP
R7908	06S70072F53	RES,CP .102-J-1/4-CP
R7909	06S15594Y10	RES,RK 334F 1/10 -CP
R7910	06S70072F21	RES,CP .47R-J-1/4-CP
R7915	06S70072F51	RES,CP .821-J-1/4-CP
R7916	06S70072F35	RES,CP .181-J-1/4-CP
R7917	06S70072F39	RES,CP .271-J-1/4-CP
R7920	06S70072F59	RES,CP .182-J-1/4-CP
R7922	06S70072F21	RES,CP .47R-J-1/4-CP
R7925	06S70072F51	RES,CP .821-J-1/4-CP
R7927	06S70072F59	RES,CP .182-J-1/4-CP
R7928	06S70072F53	RES,CP .102-J-1/4-CP
R7929	06S70072F39	RES,CP .271-J-1/4-CP
*****ESC P.W.Board		
=====Transistors		
Q7802	48T25137Y02	TR,UN9212J-TX -CP
Q7805	48T25137Y02	TR,UN9212J-TX -CP
Q7806	48T25137Y02	TR,UN9212J-TX -CP
Q7807	48T25137Y02	TR,UN9212J-TX -CP
Q7808	48T25137Y13	TR,UN921FJ-TX -CP
=====Diodes		
ZD7800	48T62934F21	DIO,ZEN.RD5.6MB1 -CP
ZD7801	48T62934F21	DIO,ZEN.RD5.6MB1 -CP
ZD7802	48T62934F21	DIO,ZEN.RD5.6MB1 -CP
=====Switch		
SW7802	40T25004Y01	SW,TACT SKQYPB -E2(RESET)
=====LED's		
LD7801	48T65477W03	LED,SML-010PTT87 -CP(GRN)
LD7802	48T65477W03	LED,SML-010PTT87 -CP(GRN)
LD7803	48T65477W03	LED,SML-010PTT87 -CP(GRN)

LD7804	48T25534Y02	LED,RED BR1111C -CP
=====Capacitors		
C7801	08T81833F10	CAP,CER 106K-B0J -CP
C7802	08S45677W42	CAP,CER.181J-CH1H-CP
C7803	08S45677W42	CAP,CER.181J-CH1H-CP
C7804	08S45677W60	CAP,CER 102J-CH1H-CP
C7805	08T81833F08	CAP,CER 475K-B1A -CP
=====Resistors		
R7801	06S45674W97	RES,RK 473J 1/10 -CP
R7802	06S45674W97	RES,RK 473J 1/10 -CP
R7803	06S45674W57	RES,RK 102J 1/10 -CP
R7804	06S45674W57	RES,RK 102J 1/10 -CP
R7805	06S35084Y26	RES,RK 122F 1/8 -CP
R7806	06S35083Y28	RES,RK 182F 1/4 -CP
R7809	06S70072F37	RES,CP .221-J-1/4-CP
R7810	06S70072F47	RES,CP .561-J-1/4-CP
R7819	06S70072F48	RES,CP .621-J-1/4-CP
R7820	06S70072F48	RES,CP .621-J-1/4-CP
R7821	06S70072F53	RES,CP .102-J-1/4-CP
R7822	06S70072F53	RES,CP .102-J-1/4-CP
R7823	06S70072F53	RES,CP .102-J-1/4-CP
R7824	06S15593Y32	RES,RK 201F 1/10 -CP
R7825	06S35083Y37	RES,RK 103F 1/4 -CP
R7829	06S70072F69	RES,CP .472-J-1/4-CP
=====Connector		
CB7801	09T15536Y20	FFC,FH12-20S-0.5S-E9
*****POWER P.W.Board		
=====IC's		
IC7501	51T25259Y03	BA00ASFP-E2 -NE5
IC7502	51T45659Y02	BA00BC0WFP-E2 -NE5
=====Transistor		
Q7501	48T94471F03	TR ,IMH1
=====Diode		
ZD7501	48T25064Y02	DIO,ZEN ZSH5MA27A-ED
=====Capacitors		
C7501	08S35374W07	CAP,CER 334K-B1C -CP
C7502	08S35374W07	CAP,CER 334K-B1C -CP
C7503	08S45676W80	CAP,CER 223K-B1E -CP
C7504	08S45676W80	CAP,CER 223K-B1E -CP
C7505	08S65128F88	CAP,CER 104K-B1H -CP
C7506	08S65128F88	CAP,CER 104K-B1H -CP
C7507	08S65128F88	CAP,CER 104K-B1H -CP
C7508	08S65128F88	CAP,CER 104K-B1H -CP
C7509	08S65128F88	CAP,CER 104K-B1H -CP
C7510	08S25667Y02	CAP,CER 226K-B1C -E2
C7511	08S25667Y02	CAP,CER 226K-B1C -E2
=====Resistors		
R7501	06S70072F78	RES,CP .2R2-J-1/4-CP
R7502	06S70072F78	RES,CP .2R2-J-1/4-CP
R7503	06S70072F78	RES,CP .2R2-J-1/4-CP
R7504	06S70072F78	RES,CP .2R2-J-1/4-CP
R7505	06S15593Y69	RES,RK 682F 1/10 -CP
R7506	06S45675W43	RES,RK JUMPER1/10-CP
R7507	06S15593Y57	RES,RK 222F 1/10 -CP
R7508	06S15593Y69	RES,RK 682F 1/10 -CP
R7509	06S15593Y39	RES,RK 391F 1/10 -CP

R7510	06S15593Y65	RES,RK 472F 1/10 -CP
R7511	06S45674W97	RES,RK 473J 1/10 -CP
R7512	06S95434W98	RES,RK JUMPER 1/4-CP
R7513	06S95434W98	RES,RK JUMPER 1/4-CP
R7514	06S95434W98	RES,RK JUMPER 1/4-CP
R7515	06S15593Y49	RES,RK 102F 1/10 -CP
R7524	06S45675W43	RES,RK JUMPER1/10-CP
=====Connector		
CH7501	09T35440Y26	BTB,IMSA9850S-26Y-EQ
*****TOP P.W.Board		
=====Transistors		
Q8101	48T25137Y01	TR,UN9211J-TX -CP
Q8102	48T25136Y14	TR,UN911HJ-TX -CP
Q8104	48T25137Y01	TR,UN9211J-TX -CP
=====Diode		
ZD8101	48T15541Y70	DIO,ZEN MAZS1000M-CP
=====LED's		
LD8101	48T25534Y01	LED,GRN BG1111C -CP
LD8103	48T25534Y01	LED,GRN BG1111C -CP
LD8104	48T25534Y01	LED,GRN BG1111C -CP
LD8105	48T35373Y01	LED,BLU KB1111FE -CP
LD8106	48T25534Y01	LED,GRN BG1111C -CP
LD8107	48T25534Y01	LED,GRN BG1111C -CP
LD8108	48T25534Y01	LED,GRN BG1111C -CP
=====Switches		
SW8101	40T45074W04	SW,TACT SKQGAC -E2 (OPEN/CLOSE/DEMO)
SW8102	40T45074W04	SW,TACT SKQGAC -E2(FLAT/SLIDE)
SW8104	40T45074W04	SW,TACT SKQGAC -E2(TILT DOWN)
SW8105	40T45074W04	SW,TACT SKQGAC -E2(TILT UP)
SW8106	40T45074W04	SW,TACT SKQGAC -E2(MUTE/DISP.OFF)
=====Capacitors		
C8101	08S45677W42	CAP,CER.181J-CH1H-CP
C8102	08S45677W42	CAP,CER.181J-CH1H-CP
C8103	08S45677W42	CAP,CER.181J-CH1H-CP
C8104	08S45677W42	CAP,CER.181J-CH1H-CP
=====Resistors		
R8102	06S15593Y51	RES,RK 122F 1/10 -CP
R8103	06S15593Y51	RES,RK 122F 1/10 -CP
R8104	06S70072F35	RES,CP .181-J-1/4-CP
R8105	06S70072F45	RES,CP .471-J-1/4-CP
R8106	06S15593Y53	RES,RK 152F 1/10 -CP
R8107	06S15593Y57	RES,RK 222F 1/10 -CP
R8108	06S15593Y61	RES,RK 332F 1/10 -CP
R8109	06S15593Y67	RES,RK 562F 1/10 -CP
R8110	06S45675W43	RES,RK JUMPER1/10-CP
R8113	06S70072F41	RES,CP .331-J-1/4-CP
=====Connector		
CB8101	09T15189Y10	FFC,52559-1092 -E9
*****FNC P.W.Board		
=====Transistors		
Q8201	48T25136Y14	TR,UN911HJ-TX -CP
Q8202	48T25137Y01	TR,UN9211J-TX -CP
Q8203	48T25137Y01	TR,UN9211J-TX -CP
=====LED's		

LD8201	48T25534Y01	LED,GRN BG1111C	-CP
LD8202	48T25534Y01	LED,GRN BG1111C	-CP
LD8203	48T25534Y01	LED,GRN BG1111C	-CP
LD8204	48T25534Y01	LED,GRN BG1111C	-CP
LD8205	48T25534Y01	LED,GRN BG1111C	-CP
LD8206	48T25534Y01	LED,GRN BG1111C	-CP
LD8207	48T25534Y01	LED,GRN BG1111C	-CP
=====Switches			
SW8201	40T45074W04	SW,TACT SKQGAC	-E2(F1)
SW8202	40T45074W04	SW,TACT SKQGAC	-E2(F2)
SW8203	40T45074W04	SW,TACT SKQGAC	-E2(F3)
SW8204	40T45074W04	SW,TACT SKQGAC	-E2(F4)
SW8205	40T45074W04	SW,TACT SKQGAC	-E2(F5)
SW8206	40T45074W04	SW,TACT SKQGAC	-E2(F6)
SW8207	40T45074W04	SW,TACT SKQGAC	-E2(F7)
=====Capacitors			
C8210	08S45677W42	CAP,CER.181J-CH1H-CP	
C8211	08S45677W42	CAP,CER.181J-CH1H-CP	
C8212	08S45677W42	CAP,CER.181J-CH1H-CP	
=====Resistors			
R8201	06S15593Y51	RES,RK 122F 1/10	-CP
R8202	06S15593Y53	RES,RK 152F 1/10	-CP
R8203	06S15593Y57	RES,RK 222F 1/10	-CP
R8204	06S15593Y61	RES,RK 332F 1/10	-CP
R8205	06S15593Y67	RES,RK 562F 1/10	-CP
R8206	06S15593Y75	RES,RK 123F 1/10	-CP
R8207	06S45674W81	RES,RK 103J 1/10	-CP
R8208	06S70072F35	RES,CP .181-J-1/4	-CP
R8209	06S70072F39	RES,CP .271-J-1/4	-CP
R8210	06S70072F39	RES,CP .271-J-1/4	-CP
=====Connector			
CB8201	09T15107Y10	FFC,52745-1090	-E9
*****MECHA P.W.Board			
=====Resistors			
R8901	06S45674W49	RES,RK 471J 1/10	-CP
R8902	06S45674W97	RES,RK 473J 1/10	-CP
=====Connectors			
CB8904	09T85454W05	WTB,53398-0590	-E9
CB8905	09T85454W02	WTB,53398-0290	-E6
CB8906	09T85454W02	WTB,53398-0290	-E6
CB8907	09T25286Y03	WTB,BM(03)B-SRSS	-E3
CB8909	09T15189Y15	FFC,52559-1592	-E9
CH8907	01T65458Y01	ASSY,WIRE PHOT	
CH8904	01T65459Y01	ASSY,WIRE MECHA	
*****OPT P.W.Board			
=====Capacitors			
C7351	08S45676W80	CAP,CER 223K-B1E	-CP
C7352	08S35374W12	CAP,CER 106K-B0J	-CP
=====Resistor			
R7351	06S70072F75	RES,CP .822-J-1/4	-CP
=====Connectors			
CB7351	09T25286Y03	WTB,BM(03)B-SRSS	-E3
CH7003	01T65457Y01	ASSY,WIRE OPT	
*****SENSOR P.W.Board			

=====Photo Transistor			
PR8971	48T45008Y01	PHT,INT GP1S93	-DS
=====Connector			
CB8971	09T25286Y03	WTB,BM(03)B-SRSS	-E3
*****SWITCH P.W.Board			
=====Connector			
CB8951	09T15548Y05	WTB,SM(5)B-SRSS	-E5
*****MAIN-LSI P.W.Board			
=====IC's			
IC201	51T55517Y02	NJU7223DL1-33TE1-NE5	
IC202	51T55517Y01	NJU7223DL118-TE1-NE5	
IC203	51T65169Y01	BD4828G-TR	-CP
IC204	51T15191Y01	TC74VHC08FT-EL	-SE5
IC301	51T45669Y02	MN103S26EDCUB	-QT
IC401	51T55325Y01	MTP,MN102HF73G	
IC402	51T25161Y02	M24C08-WDW6T	-SE2
IC403	51T55166Y01	NJM2100V-TE2	-SE2
IC501	51T45670Y01	AN8703FH-V	-QT
IC601	51T55021Y02	BD7905BFS-E2	-SEE
IC701	51T65414Y01	NJM2871F33-TE1	-CP
=====Transistors			
Q506	48T73888F12	TR ,CP.FMC2-99	
Q507	48T55462Y01	TR,2SB1132-QR-100-E2	
Q508	48T55462Y01	TR,2SB1132-QR-100-E2	
=====Diodes			
SD402	48T95117F01	DIO,CP MA713	-CP
SD602	48T95117F01	DIO,CP MA713	-CP
=====Crystals			
CL401	91T65422Y02	OSC,CER CSTCG33M2-CP	
XL301	91T55217Y08	XTL,NX8045GB 16.9-E5	
=====Thermistors			
TH401	48T15688Y01	TMT,SC20-3U104KT	-CP
TH402	48T15688Y01	TMT,SC20-3U104KT	-CP
=====Coil			
L301	24T25164Y25	IND,FSLM2520 10RJ-CP	
=====Capacitors			
C101	08S45676W85	CAP,CER 104K-B1C	-CP
C202	08S45676W85	CAP,CER 104K-B1C	-CP
C203	08S45676W85	CAP,CER 104K-B1C	-CP
C204	08S45676W75	CAP,CER.153K-B1H	-CP
C205	08S45676W85	CAP,CER 104K-B1C	-CP
C207	08S45676W85	CAP,CER 104K-B1C	-CP
C301	08S45676W85	CAP,CER 104K-B1C	-CP
C302	08S45676W85	CAP,CER 104K-B1C	-CP
C303	08S45676W85	CAP,CER 104K-B1C	-CP
C304	08S45676W85	CAP,CER 104K-B1C	-CP
C305	08S45676W85	CAP,CER 104K-B1C	-CP
C307	08S45676W85	CAP,CER 104K-B1C	-CP
C308	08S45676W85	CAP,CER 104K-B1C	-CP
C309	08S45676W85	CAP,CER 104K-B1C	-CP
C310	08S45676W85	CAP,CER 104K-B1C	-CP
C311	08S45676W85	CAP,CER 104K-B1C	-CP
C312	08S45676W85	CAP,CER 104K-B1C	-CP
C313	08S45676W85	CAP,CER 104K-B1C	-CP
C314	08S45676W85	CAP,CER 104K-B1C	-CP

C315	08S45676W85	CAP,CER 104K-B1C -CP
C316	08S45676W85	CAP,CER 104K-B1C -CP
C317	08S45676W85	CAP,CER 104K-B1C -CP
C318	08S45677W44	CAP,CER.221J-CH1H-CP
C319	08S45676W85	CAP,CER 104K-B1C -CP
C320	08S45676W73	CAP,CER.103K-B1H -CP
C321	08S45677W12	CAP,CER.10RD-CH1H-CP
C322	08S45677W12	CAP,CER.10RD-CH1H-CP
C328	08S45676W80	CAP,CER 223K-B1E -CP
C330	08S45677W28	CAP,CER 47RJ-CH1H-CP
C331	08S45677W60	CAP,CER 102J-CH1H-CP
C332	08S45676W70	CAP,CER 562K-B1H -CP
C333	08S45677W60	CAP,CER 102J-CH1H-CP
C334	08S45677W60	CAP,CER 102J-CH1H-CP
C335	08S45677W60	CAP,CER 102J-CH1H-CP
C336	08S45676W73	CAP,CER.103K-B1H -CP
C337	08S45676W66	CAP,CER.272K-B1H -CP
C338	08S45677W54	CAP,CER 561J-CH1H-CP
C339	08S45676W65	CAP,CER.222K-B1H -CP
C340	08S45677W48	CAP,CER.331J-CH1H-CP
C345	08S45676W85	CAP,CER 104K-B1C -CP
C346	08S45676W73	CAP,CER.103K-B1H -CP
C347	08S45676W73	CAP,CER.103K-B1H -CP
C348	08S45676W85	CAP,CER 104K-B1C -CP
C351	08S45677W50	CAP,CER 391J-CH1H-CP
C352	08S45677W50	CAP,CER 391J-CH1H-CP
C353	08S45677W36	CAP,CER.101J-CH1H-CP
C355	08S45677W30	CAP,CER.56RJ-CH1H-CP
C356	08S45677W60	CAP,CER 102J-CH1H-CP
C357	08S45677W54	CAP,CER 561J-CH1H-CP
C358	08S45676W85	CAP,CER 104K-B1C -CP
C359	08S45676W85	CAP,CER 104K-B1C -CP
C360	08S45676W85	CAP,CER 104K-B1C -CP
C361	08S45677W60	CAP,CER 102J-CH1H-CP
C362	08S45676W73	CAP,CER.103K-B1H -CP
C363	08S45676W85	CAP,CER 104K-B1C -CP
C364	08S45676W85	CAP,CER 104K-B1C -CP
C365	08S45676W85	CAP,CER 104K-B1C -CP
C401	08S45676W85	CAP,CER 104K-B1C -CP
C402	08S45676W85	CAP,CER 104K-B1C -CP
C403	08S45676W85	CAP,CER 104K-B1C -CP
C404	08S45676W85	CAP,CER 104K-B1C -CP
C405	08S45676W85	CAP,CER 104K-B1C -CP
C406	08S45676W85	CAP,CER 104K-B1C -CP
C407	08S45677W60	CAP,CER 102J-CH1H-CP
C408	08S45676W85	CAP,CER 104K-B1C -CP
C410	08S45676W85	CAP,CER 104K-B1C -CP
C411	08S45676W85	CAP,CER 104K-B1C -CP
C415	08S45676W85	CAP,CER 104K-B1C -CP
C417	08S45676W85	CAP,CER 104K-B1C -CP
C418	08S45676W85	CAP,CER 104K-B1C -CP
C419	08S45676W65	CAP,CER.222K-B1H -CP
C420	08S45676W65	CAP,CER.222K-B1H -CP
C452	08S45676W73	CAP,CER.103K-B1H -CP
C453	08S45677W60	CAP,CER 102J-CH1H-CP
C454	08S45676W73	CAP,CER.103K-B1H -CP
C501	08S45677W34	CAP,CER.82RJ-CH1H-CP

C502	08S45676W85	CAP,CER 104K-B1C -CP
C505	08S45676W85	CAP,CER 104K-B1C -CP
C506	08S45676W85	CAP,CER 104K-B1C -CP
C507	08S45676W85	CAP,CER 104K-B1C -CP
C510	08S45676W68	CAP,CER.392K-B1H -CP
C512	08S45676W85	CAP,CER 104K-B1C -CP
C513	08S45676W85	CAP,CER 104K-B1C -CP
C514	08S45677W54	CAP,CER 561J-CH1H-CP
C515	08S45677W54	CAP,CER 561J-CH1H-CP
C516	08S45676W89	CAP,CER 473K-B1E -CP
C518	08S45677W04	CAP,CER.2R0C-CH1H-CP
C519	08S45676W85	CAP,CER 104K-B1C -CP
C521	08S45676W80	CAP,CER 223K-B1E -CP
C522	08S45676W85	CAP,CER 104K-B1C -CP
C523	08S35349Y12	CAP,CER 105K-B0J -CP
C524	08S35349Y12	CAP,CER 105K-B0J -CP
C525	08S45676W80	CAP,CER 223K-B1E -CP
C526	08S45676W80	CAP,CER 223K-B1E -CP
C528	08S45676W85	CAP,CER 104K-B1C -CP
C604	08S45676W73	CAP,CER.103K-B1H -CP
C606	08S45676W85	CAP,CER 104K-B1C -CP
C702	08S45676W67	CAP,CER.332K-B1H -CP
C703	08S45676W67	CAP,CER.332K-B1H -CP
C704	08S45676W68	CAP,CER.392K-B1H -CP
C705	08S45676W68	CAP,CER.392K-B1H -CP
C706	08S45676W73	CAP,CER.103K-B1H -CP
C712	08S45676W85	CAP,CER 104K-B1C -CP
C800	08T65231Y01	CAP,CER 226K-BJ1A-CP
C801	08T65231Y01	CAP,CER 226K-BJ1A-CP
C802	08T65231Y01	CAP,CER 226K-BJ1A-CP
C803	08T65231Y01	CAP,CER 226K-BJ1A-CP
C804	08T81833F13	CAP,CER 106K-B1C -CP
C806	08T81833F13	CAP,CER 106K-B1C -CP
C807	08T81833F13	CAP,CER 106K-B1C -CP
C808	08T81833F13	CAP,CER 106K-B1C -CP
C809	08T81833F13	CAP,CER 106K-B1C -CP
C810	08T81833F13	CAP,CER 106K-B1C -CP
C811	08T81833F13	CAP,CER 106K-B1C -CP
C812	08T65231Y01	CAP,CER 226K-BJ1A-CP
C813	08T65231Y01	CAP,CER 226K-BJ1A-CP
E202	23S55311W29	CAP,TAN 47R-1A-B -CP
E203	23S55311W28	CAP,TAN 22R-1A-B -CP
E301	23S55311W28	CAP,TAN 22R-1A-B -CP
E503	23S55311W29	CAP,TAN 47R-1A-B -CP
E505	23S55311W29	CAP,TAN 47R-1A-B -CP
E702	23S55311W29	CAP,TAN 47R-1A-B -CP

====Resistors

R101	06S45675W43	RES,RK JUMPER1/10-CP
R118	06S45674W17	RES,RK 22RJ 1/10 -CP
R119	06S45674W17	RES,RK 22RJ 1/10 -CP
R120	06S45674W33	RES,RK 101J 1/10 -CP
R121	06S45674W33	RES,RK 101J 1/10 -CP
R122	06S45674W33	RES,RK 101J 1/10 -CP
R123	06S45674W33	RES,RK 101J 1/10 -CP
R124	06S45674W33	RES,RK 101J 1/10 -CP
R125	06S45674W33	RES,RK 101J 1/10 -CP
R126	06S45674W33	RES,RK 101J 1/10 -CP

R127	06S45674W81	RES,RK 103J 1/10 -CP
R129	06S45674W75	RES,RK 562J 1/10 -CP
R131	06S45674W97	RES,RK 473J 1/10 -CP
R132	06S45674W97	RES,RK 473J 1/10 -CP
R133	06S45674W97	RES,RK 473J 1/10 -CP
R200	06S70072F05	RES,CP .10R-J-1/4-CP
R203	06S45675W22	RES,RK 474J 1/10 -CP
R204	06S45674W89	RES,RK 223J 1/10 -CP
R206	06S45675W22	RES,RK 474J 1/10 -CP
R208	06S45674W89	RES,RK 223J 1/10 -CP
R209	06S45674W97	RES,RK 473J 1/10 -CP
R210	06S45674W89	RES,RK 223J 1/10 -CP
R212	06S45674W97	RES,RK 473J 1/10 -CP
R301	06S45674W61	RES,RK 152J 1/10 -CP
R302	06S45674W81	RES,RK 103J 1/10 -CP
R303	06S45674W81	RES,RK 103J 1/10 -CP
R304	06S45674W81	RES,RK 103J 1/10 -CP
R305	06S45675W30	RES,RK 105J 1/10 -CP
R306	06S45674W61	RES,RK 152J 1/10 -CP
R307	06S45674W57	RES,RK 102J 1/10 -CP
R308	06S45675W43	RES,RK JUMPER1/10-CP
R309	06S45674W67	RES,RK 272J 1/10 -CP
R310	06S45674W97	RES,RK 473J 1/10 -CP
R311	06S45674W69	RES,RK 332J 1/10 -CP
R312	06S45674W69	RES,RK 332J 1/10 -CP
R313	06S45674W69	RES,RK 332J 1/10 -CP
R316	06S45674W85	RES,RK 153J 1/10 -CP
R317	06S45675W30	RES,RK 105J 1/10 -CP
R319	06S45674W75	RES,RK 562J 1/10 -CP
R320	06S45674W75	RES,RK 562J 1/10 -CP
R321	06S45674W81	RES,RK 103J 1/10 -CP
R322	06S45674W97	RES,RK 473J 1/10 -CP
R325	06S45674W89	RES,RK 223J 1/10 -CP
R328	06S15593Y83	RES,RK 273F 1/10 -CP
R329	06S45674W91	RES,RK 273J 1/10 -CP
R330	06S45674W91	RES,RK 273J 1/10 -CP
R331	06S45674W73	RES,RK 472J 1/10 -CP
R332	06S45674W73	RES,RK 472J 1/10 -CP
R333	06S45674W63	RES,RK 182J 1/10 -CP
R334	06S45674W41	RES,RK 221J 1/10 -CP
R336	06S45674W33	RES,RK 101J 1/10 -CP
R337	06S45675W43	RES,RK JUMPER1/10-CP
R338	06S45675W43	RES,RK JUMPER1/10-CP
R339	06S45675W43	RES,RK JUMPER1/10-CP
R340	06S45675W43	RES,RK JUMPER1/10-CP
R345	06S45674W61	RES,RK 152J 1/10 -CP
R350	06S45675W08	RES,RK 124J 1/10 -CP
R351	06S45674W97	RES,RK 473J 1/10 -CP
R352	06S45674W89	RES,RK 223J 1/10 -CP
R355	06S45674W61	RES,RK 152J 1/10 -CP
R356	06S45674W61	RES,RK 152J 1/10 -CP
R357	06S45674W61	RES,RK 152J 1/10 -CP
R360	06S45675W43	RES,RK JUMPER1/10-CP
R402	06S45675W43	RES,RK JUMPER1/10-CP
R403	06S45675W43	RES,RK JUMPER1/10-CP
R404	06S45674W41	RES,RK 221J 1/10 -CP
R405	06S45675W43	RES,RK JUMPER1/10-CP

R406	06S45674W73	RES,RK 472J 1/10 -CP
R407	06S45674W73	RES,RK 472J 1/10 -CP
R408	06S45674W97	RES,RK 473J 1/10 -CP
R409	06S45674W97	RES,RK 473J 1/10 -CP
R410	06S45674W97	RES,RK 473J 1/10 -CP
R411	06S45674W97	RES,RK 473J 1/10 -CP
R412	06S45674W97	RES,RK 473J 1/10 -CP
R413	06S45674W97	RES,RK 473J 1/10 -CP
R414	06S45674W97	RES,RK 473J 1/10 -CP
R415	06S45674W97	RES,RK 473J 1/10 -CP
R416	06S45674W89	RES,RK 223J 1/10 -CP
R418	06S45674W97	RES,RK 473J 1/10 -CP
R419	06S45674W89	RES,RK 223J 1/10 -CP
R421	06S45674W97	RES,RK 473J 1/10 -CP
R422	06S45674W73	RES,RK 472J 1/10 -CP
R423	06S45674W97	RES,RK 473J 1/10 -CP
R424	06S45674W71	RES,RK 392J 1/10 -CP
R425	06S45674W97	RES,RK 473J 1/10 -CP
R426	06S45674W89	RES,RK 223J 1/10 -CP
R427	06S45674W97	RES,RK 473J 1/10 -CP
R428	06S45674W97	RES,RK 473J 1/10 -CP
R437	06S45674W81	RES,RK 103J 1/10 -CP
R438	06S45674W89	RES,RK 223J 1/10 -CP
R439	06S45674W89	RES,RK 223J 1/10 -CP
R440	06S45674W97	RES,RK 473J 1/10 -CP
R442	06S15594Y16	RES,RK 564F 1/10 -CP
R443	06S15593Y73	RES,RK 103F 1/10 -CP
R450	06S45675W43	RES,RK JUMPER1/10-CP
R451	06S45675W43	RES,RK JUMPER1/10-CP
R503	06S45674W91	RES,RK 273J 1/10 -CP
R504	06S45674W91	RES,RK 273J 1/10 -CP
R505	06S15593Y75	RES,RK 123F 1/10 -CP
R506	06S15593Y65	RES,RK 472F 1/10 -CP
R507	06S15593Y85	RES,RK 333F 1/10 -CP
R508	06S45675W43	RES,RK JUMPER1/10-CP
R510	06S45675W30	RES,RK 105J 1/10 -CP
R511	06S45675W30	RES,RK 105J 1/10 -CP
R512	06S45675W30	RES,RK 105J 1/10 -CP
R513	06S45675W43	RES,RK JUMPER1/10-CP
R514	06S45675W43	RES,RK JUMPER1/10-CP
R515	06S45675W43	RES,RK JUMPER1/10-CP
R517	06S45675W06	RES,RK 104J 1/10 -CP
R518	06S45675W06	RES,RK 104J 1/10 -CP
R519	06S45674W57	RES,RK 102J 1/10 -CP
R520	06S45674W57	RES,RK 102J 1/10 -CP
R521	06S45674W31	RES,RK 82RJ 1/10 -CP
R522	06S45674W31	RES,RK 82RJ 1/10 -CP
R524	06S15593Y75	RES,RK 123F 1/10 -CP
R528	06S45675W43	RES,RK JUMPER1/10-CP
R529	06S45675W43	RES,RK JUMPER1/10-CP
R530	06S45675W43	RES,RK JUMPER1/10-CP
R531	06S45675W43	RES,RK JUMPER1/10-CP
R533	06S45674W97	RES,RK 473J 1/10 -CP
R544	06S45674W81	RES,RK 103J 1/10 -CP
R545	06S45674W81	RES,RK 103J 1/10 -CP
R601	06S45674W33	RES,RK 101J 1/10 -CP
R603	06S45674W33	RES,RK 101J 1/10 -CP

R604	06S45674W33	RES,RK 101J 1/10 -CP
R611	06S45674W97	RES,RK 473J 1/10 -CP
R614	06S45674W02	RES,RK 2R7J 1/10 -CP
R615	06S45674W02	RES,RK 2R7J 1/10 -CP
R630	06S45674W33	RES,RK 101J 1/10 -CP
R631	06S45674W33	RES,RK 101J 1/10 -CP
R636	06S45675W45	RES,RK 1R0J 1/10 -CP
R637	06S45675W45	RES,RK 1R0J 1/10 -CP
R638	06S45675W45	RES,RK 1R0J 1/10 -CP
R639	06S45675W45	RES,RK 1R0J 1/10 -CP
R640	06S45674W02	RES,RK 2R7J 1/10 -CP
R641	06S45674W02	RES,RK 2R7J 1/10 -CP
R642	06S45674W02	RES,RK 2R7J 1/10 -CP
R643	06S45674W02	RES,RK 2R7J 1/10 -CP
R644	06S45674W02	RES,RK 2R7J 1/10 -CP
R645	06S45674W02	RES,RK 2R7J 1/10 -CP
R646	06S45674W02	RES,RK 2R7J 1/10 -CP
R647	06S45674W02	RES,RK 2R7J 1/10 -CP
R702	06S45675W24	RES,RK 564J 1/10 -CP
R707	06S45674W49	RES,RK 471J 1/10 -CP
R708	06S45674W49	RES,RK 471J 1/10 -CP
R717	06S45674W49	RES,RK 471J 1/10 -CP
R718	06S45674W49	RES,RK 471J 1/10 -CP
R722	06S35095Y08	RES,RK JUMPER 1/4-CP
R723	06S70072F05	RES,CP .10R-J-1/4-CP
R724	06S70072F05	RES,CP .10R-J-1/4-CP
R725	06S70072F05	RES,CP .10R-J-1/4-CP
R726	06S70072F05	RES,CP .10R-J-1/4-CP
R800	06S45674W97	RES,RK 473J 1/10 -CP
R801	06S45674W97	RES,RK 473J 1/10 -CP
R802	06S45674W97	RES,RK 473J 1/10 -CP
R803	06S45674W97	RES,RK 473J 1/10 -CP
R804	06S45674W97	RES,RK 473J 1/10 -CP
R806	06S45674W97	RES,RK 473J 1/10 -CP
R807	06S45674W97	RES,RK 473J 1/10 -CP
R808	06S45674W97	RES,RK 473J 1/10 -CP
R809	06S45674W97	RES,RK 473J 1/10 -CP
R810	06S45674W97	RES,RK 473J 1/10 -CP
R811	06S45674W97	RES,RK 473J 1/10 -CP
R812	06S45674W97	RES,RK 473J 1/10 -CP
R813	06S45674W97	RES,RK 473J 1/10 -CP
RA101	06S45591W11	RES,ARY MNR22RJ 4-CP
RA102	06S45591W11	RES,ARY MNR22RJ 4-CP
RA103	06S45591W11	RES,ARY MNR22RJ 4-CP
RA104	06S45591W11	RES,ARY MNR22RJ 4-CP
RA105	06S45591W07	RES,ARY MNR101J 4-CP
RA106	06S45591W07	RES,ARY MNR101J 4-CP
RA107	06S45591W02	RES,ARY MNR473J 4-CP
RA108	06S45591W02	RES,ARY MNR473J 4-CP
RA109	06S45591W02	RES,ARY MNR473J 4-CP
RA110	06S45591W02	RES,ARY MNR473J 4-CP

=====**Connectors**

CB101	09T45442Y50	FFC,54104-5092	-EQ
CB401	09T15107Y16	FFC,52745-1690	-E9
CB601	09T15107Y24	FFC,52435-2491	-ED
CB602	09T45442Y32	FFC,54104-3292	-EQ

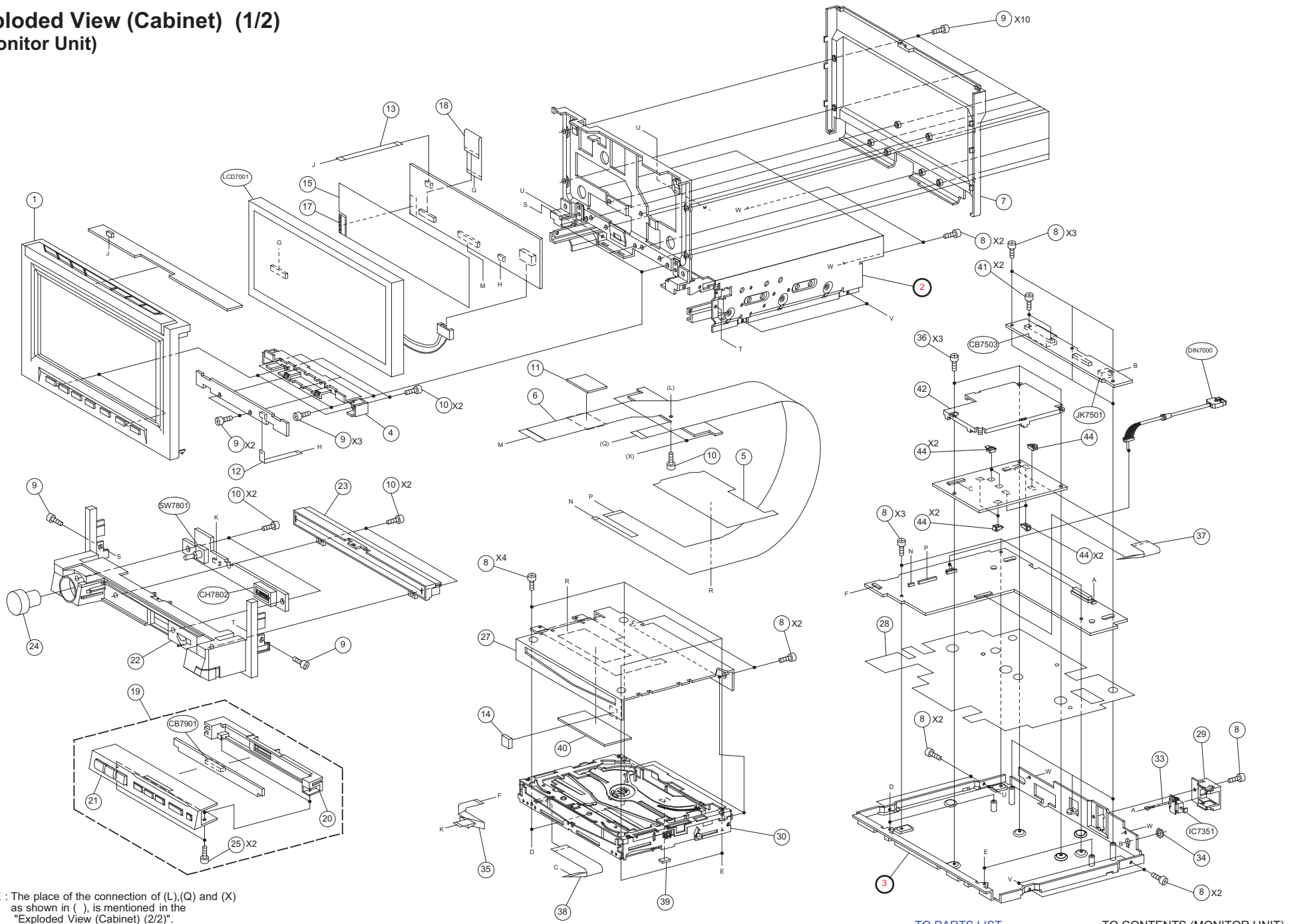
*******Miscellaneous**

CB7503	09T13515W12	WTB,5569-12A1 -DB (To DC/DC Converter Unit)
CB7901	09T65033Y16	BTB,CAM-C73-016 -EF
CH7802	09T65215Y16	BTB,CAM-C74-016 -B
DIN7000	01T65559Y01	ASSY,DIN CABLE D900(To Tuner Unit)
IC7351	51T75111W01	TOTX193 -DS(OPTICAL D-OUT)
JK7501	09T95460W01	JAC,HSJ0857-01-1010+(ST-REMO)
LCD7001	01T65429Y01	LCD,LTA070D010F
M8905	01V66100Y70	ASSY,MOTOR LD(LOAD MOTOR/7V-370mA)
M8906	01V66100Y68	ASSY,MOTOR TL(TILT MOTOR/7V-370mA)
SW7801	40T45670W36	ENC,EC11B15243 -DB (ROTARY ENCODER/TEL./PUSH ENTER)
SW8951	40T15494Y08	SW,DETCT SPVG11 -E6 (CLOSE-LIMIT(END))
SW8952	40T15494Y08	SW,DETCT SPVG11 -E6(SLIDE-MID(15))
SW8953	40T15494Y07	SW,DETCT SPVG21 -E6 (SLIDE-LIMIT(FULL))
SW8954	40T15494Y07	SW,DETCT SPVG21 -E6(TILT-LIIT(TILT))

*****DV33M010

HD101	81B51264Y01	PICKUP,ED21A010
M101	59T65140Y01	MOTOR,M1N6GB105E(5V-200mA)
M102	59T65141Y01	MOTOR,F7IHR13(6.5V-350mA)
M103	59T65142Y01	MOTOR,MSDV020L01(6.5V)
SW401	40T55230Y01	SW,DETCT ESE13V01CE5(DISC DETECT L)
SW402	40T55230Y01	SW,DETCT ESE13V01CE5(DISC DETECT R)
SW403	40T55043Y02	SW,DETCT SPVL12 -E5 (12cm DISC RELOAD DETECT)
SW404	40T15494Y01	SW,DETCT SPVG23 -E6 (8cm DISC DETECT)
SW405	40T55230Y01	SW,DETCT ESE13V01CE5 (DISC LOAD END DETECT)
SW406	40T15494Y01	SW,DETCT SPVG23 -E6(LIMIT)

Exploded View (Cabinet) (1/2) (Monitor Unit)



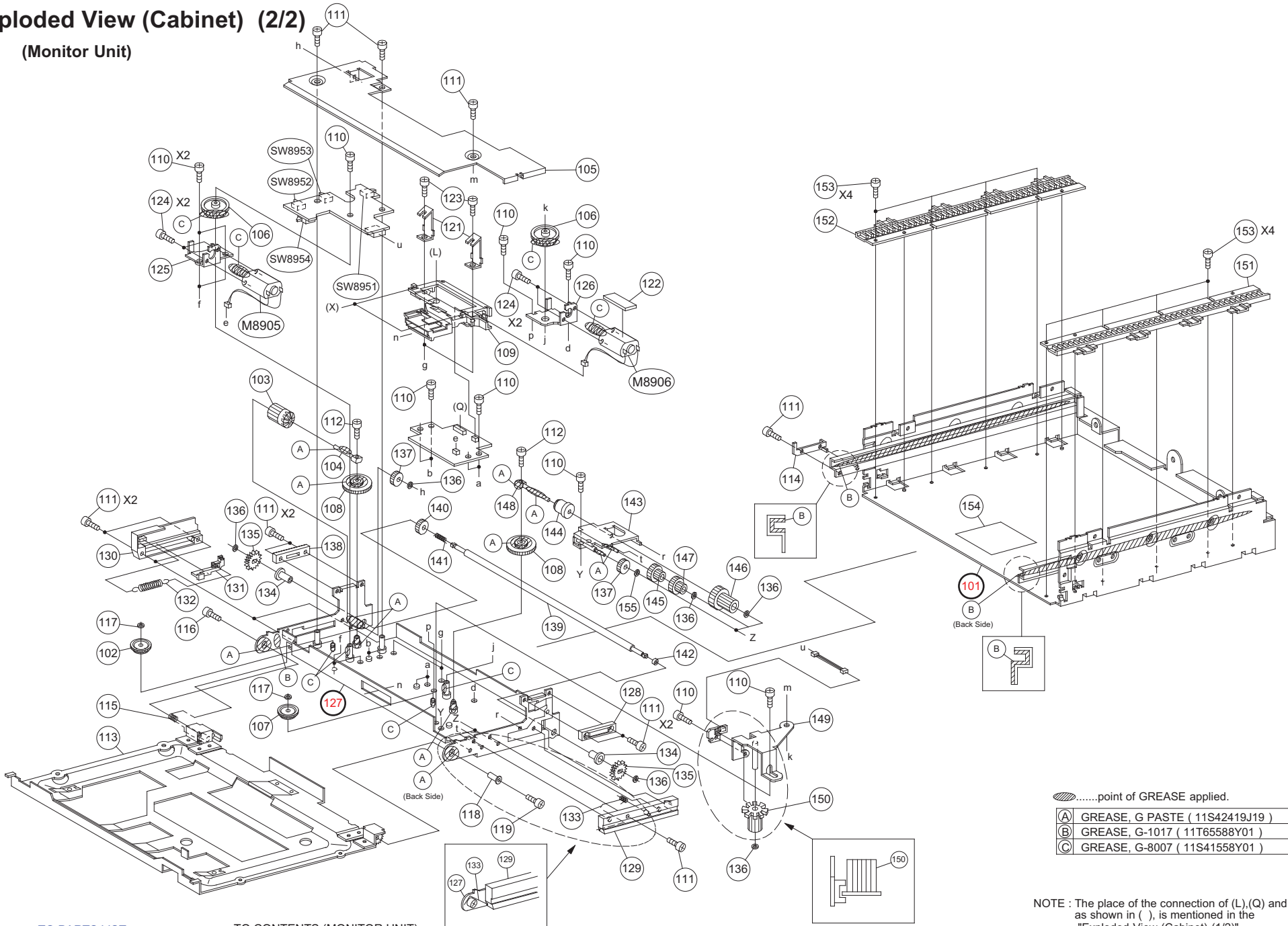
NOTE : The place of the connection of (L),(Q) and (X) as shown in (), is mentioned in the "Exploded View (Cabinet) (2/2)".

TO PARTS LIST

TO CONTENTS (MONITOR UNIT)

Exploded View (Cabinet) (2/2)

(Monitor Unit)



-point of GREASE applied.
- | | |
|-----|---------------------------------|
| (A) | GREASE, G PASTE (11S42419J19) |
| (B) | GREASE, G-1017 (11T65588Y01) |
| (C) | GREASE, G-8007 (11S41558Y01) |

NOTE : The place of the connection of (L),(Q) and (X) as shown in (), is mentioned in the "Exploded View (Cabinet) (1/2)".

TO PARTS LIST

TO CONTENTS (MONITOR UNIT)

IVA-D900(CAB)

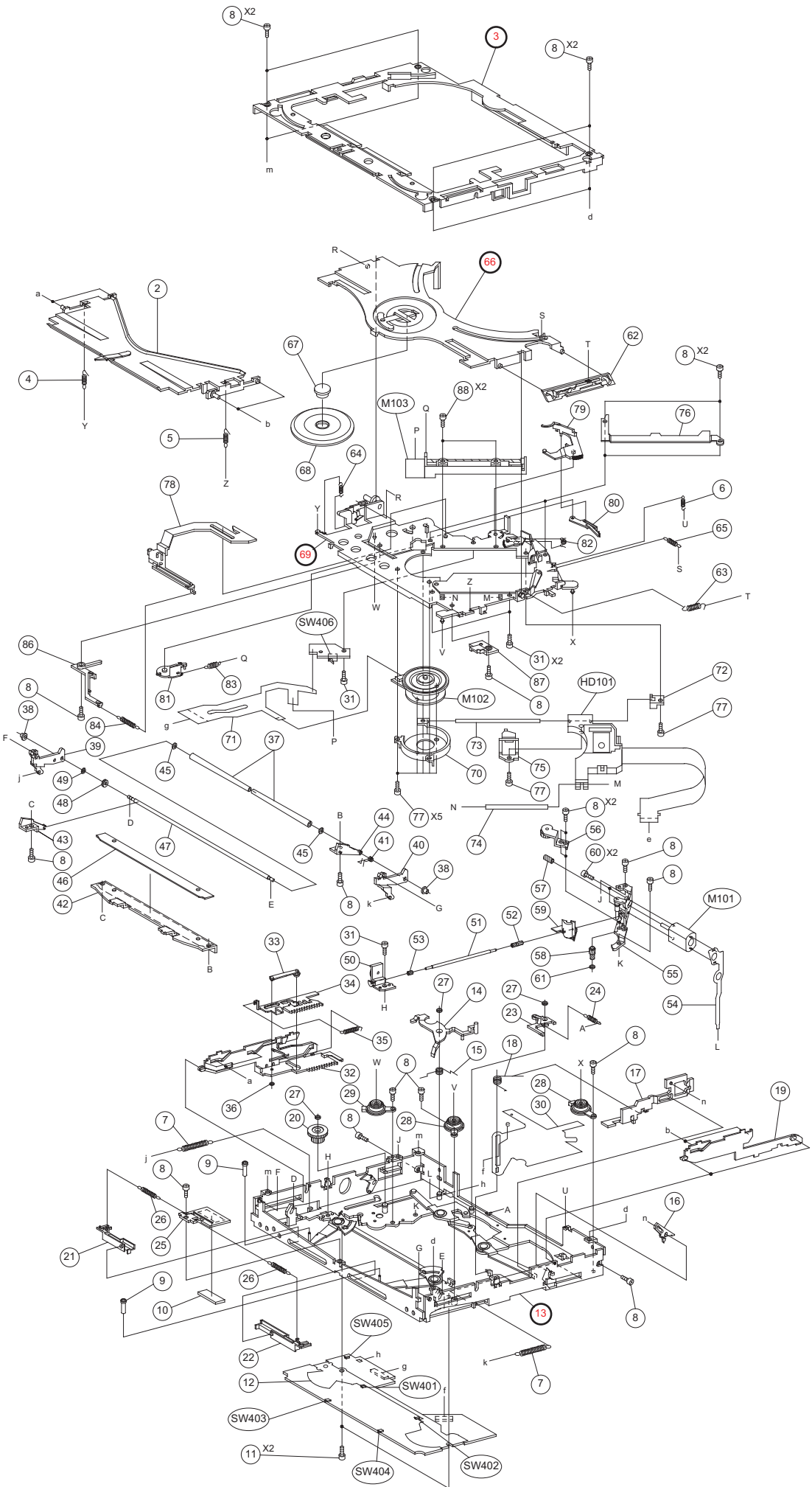
Cabinet Assembly Parts List (Monitor Unit)

Note : The part that has not PART NUMBER will not be supplied.

1	13D60508Y01	NOSE,MONITOR ASSY
2	-----	JL44A010
3	-----	ASSY,RIV CHAS BASE
4	07C60016Y01	BKT,LCD SUB
5	14A70032Y01	INS,COVER FPC
6	84T65328Y01	FPC,MAIN RAD900
7	13D60493Y01	NOSE,BOTTOM MONITOR
8	03S60822Y07	SCR,S-T 2.6X4 ZN A
9	03S94385F24	SCREW,NYLOK
10	03S60823Y04	SCR,P-T 2X6 ZN A
11	14A61699Y01	INS,FPC D900
12	30T65640Y02	SML2CD-10X77.0-ADX6
13	30T65640Y04	SML2CD-10X48.0-BDX6
14	75A61747Y01	CUSHION,SPR
15	14A60795Y01	INS,PWB LCD
17	07T35194Y03	BKT,97-550-02-04
18	30T65640Y03	SML2CD-30X23.0-BDX5
19	01V35211S01	DF NOSE UNIT
20	13D61402Y01	NOSE,BOTTOM DF
21	13D60509Y01	NOSE,DF ASSY
22	13D60510Y01	FRONT ESC,ASSY
23	15B60934Y01	HOLDER,DISC ASSY
24	36B60911Y01	KNOB,ROTALY ASSY
25	03S71677F84	SCR,B-TITE M2X4
27	15C60018Y01	COVER,DV-TM
28	14B60796Y01	INS,PWB MAIN
29	15C71937W02	COVER,CONN.D-OUT
30	81D51392Y01	DV33M010,DVD MECH
33	01T65457Y01	ASSY,WIRE OPT
34	02S60869Y02	NUT,HEX 6X1.5 ZN A
35	30T65640Y06	SML2CD-20X168.0-BDX5
36	03S60822Y06	SCR,S-T 2.6X4 ZN A
37	30T65640Y01	SML2CD-45X48.0-BDX6
38	30T65640Y05	SML2CD-50X68.0-BDX6
39	75T25010Y22	CUSHION,SHIELD7-1-8S
40	14S31545Y50	INS,CVR 60X60XT0.1
41	03S63857F51	SCR,TPG M3X10
42	26C61299Y01	SHIELD,BE 900A0
44	29T45687Y02	OG-363040
101	-----	ASSY,RIV CHAS TOP
102	44A60217Y01	GEAR,LD1
103	44A60218Y01	GEAR,LD2
104	47A60041Y01	SHAFT,LD
105	15C60059Y01	COVER,CHAS SLIDE
106	44B60043Y01	GEAR,TL1
107	44A60044Y01	GEAR,TL2
108	44A60045Y01	GEAR,TL3
109	15D60055Y01	HOLDER,FPC
110	03S60821Y01	SCR,WAS 2X3 ZN A
111	03S94385F24	SCREW,NYLOK
112	03S60821Y05	SCR,WAS 2X8 ZN A
113	01C60274Y01	ASSY,RIV BKT LCD
114	07A60054Y01	BKT,LEVER SW

115	41A60060Y01	SPRING,MONITOR
116	03S60821Y09	SCR,WAS 2.6X5 ZN A
117	04B41345P38	WASH,2.6X4.7XT0.25
118	43A61388Y01	BUSH,MONITOR
119	03S60821Y15	SCR,WAS 2.6X16 ZN A
121	07A61647Y01	BKT,STOPPER
122	75S61553Y02	CUS,RUB 10X24XT4
123	03S94385F18	SCR,NYLON M2X3.5
124	03S68259F23	SCR,P-LOCK M2X3
125	01A61390Y01	ASSY,RIV BKT MTR LD
126	01A61389Y01	ASSY,RIV BKT MTR TL
127	-----	ASSY,RIV CHAS SLIDE
128	45B60058Y01	SLIDER,LOAD
129	15B60056Y01	COVER,LOAD(L)
130	15B60057Y01	COVER,LOAD(R)
131	45C60064Y01	SLIDER,SW
132	41A60065Y01	SPRING,LEVER SW
133	41B60754Y01	SPRING,GND
134	43A61579Y01	BUSH,CHAS SLIDE
135	44A60051Y01	GEAR,DRIVE(A)
136	04B41345P45	WASH,2.1X4.5X0.35
137	44A60050Y01	GEAR,TL8
138	45B70039Y01	SLIDER,LOAD(R)
139	47B60061Y01	SHAFT,DRIVE
140	44A60052Y01	GEAR,DRIVE(B)
141	41A61505Y01	SPRING,DRIVE
142	43A61504Y01	BUSH,SPRING
143	01A60028Y01	ASSY,RIV BKT GER TL
144	44A60046Y01	GEAR,TL4
145	44A60047Y01	GEAR,TL5
146	44B60219Y01	GEAR,LMT
147	44A60049Y01	GEAR,TL7
148	47A60042Y01	SHAFT,TL
149	01A60032Y01	ASSY,RIV BKT SENSOR
150	44A60040Y01	GEAR,SENSOR
151	44C60752Y01	RACK,LOAD(L)
152	44C60753Y01	RACK,LOAD(R)
153	03S94385F78	SCR,NYLOK M2X2 BLK
154	75A61567Y01	CUS,CHAS TOP
155	04B41345P09	WASH,2.3X7X0.25

Exploded View (DVD Deck Mechanism) (DV33M010)



TO PARTS LIST

TO CONTENTS (MONITOR UNIT)

IVA-D900(DK)

DVD Deck Mechanism Assembly Parts List

Note : The part that has not PART NUMBER will not be supplied.

2	01A51490Y01	ASSY,RIV GUIDE TOP
3	-----	CHASSIS, TOP
4	41A60338Y01	SPRING,DRIVE F-L
5	41A60339Y01	SPRING,DRIVE F-R
6	41A60340Y01	SPRING,DRIVE R
7	41A60344Y01	SPRING,LEV ROLL-L
8	03S94385F19	SCR,NYLOK M2X2.5
9	43A51233Y01	ROLLER,DISC PIN
10	14T60573Y01	INSULATOR,DRIVER
11	03S72235F76	SCR,MCH M2X2 SN
12	14B51711Y01	INSULATOR,PWB MAIN
13	-----	ASSY,RIV CHAS BASE
14	45C51003Y02	LEVER,TRIGER MAIN
15	41A51395Y01	SPRING,LEV TRG MAIN
16	45A50833Y01	LEVER,LINK SLDR (R)
17	45B51221Y01	SLIDER,LOCK (R2)
18	41A51396Y01	SPRING,SLD LOCK(R2)
19	45C51237Y11	SLIDER,LOCK(R1)
20	44A50829Y01	GEAR,LOAD (E)
21	45B50834Y11	SLIDER,DISC SW(L)
22	45B50835Y01	SLIDER,DISC SW (R)
23	45B50838Y01	LEVER,LOCK (RC)
24	41A60343Y01	SPRING,LEV LOCK-RC
25	07A51206Y01	BKT,DRIVE IC
26	41A60341Y01	SPRING,LEV DISC
27	04B41345P14	WASH,L. 2.1X4X0.25
28	75C60456Y01	DAMPER,DV-TM
29	75C60456Y02	DAMPER,DV-TM
30	14A51712Y01	INSULATOR,FPC
31	03S94385F07	SCR,NYLOK M2X2
32	45D51236Y01	SLIDER,LOCK (L)
33	01A51491Y01	ASSY,RIV LEV ASST
34	01B51315Y01	ASSY,SLIDER TRIGER
35	41A60348Y01	SPRING,SLD TRIGER
36	04B41345P01	WASH,1.2X3.5X0.25
37	49A51397Y01	ROLLER,DV-TM
38	43A51228Y11	BUSH,ARM GUIDE
39	45A51218Y01	LEVER,ROLLER (L)
40	45A51219Y01	LEVER,ROLLER (R)
41	41A60360Y01	SPRING,ARM GUIDE
42	45B60964Y01	ARM,DISC GUIDE
43	45B60959Y11	ARM,DISC GUIDE-L
44	45B60960Y11	ARM,DISC GUIDE-R
45	04S40075G09	WASH,2.6X4.7X0.25
46	14A61435Y01	INSULATOR,ARM DISC
47	47A51349Y01	SHAFT,ROLLER
48	44A50832Y01	GEAR,ROLLER
49	04B41345P02	WASH,1.7X3.5X0.25
50	01A51485Y01	ASSY,RIV BKT LD-F
51	47A51346Y01	SHAFT,LOAD
52	44A50827Y01	GEAR,LOAD (C)
53	44A50830Y01	GEAR,LOAD (F)
54	84T65143Y01	FPC,LOAD

55	01A51486Y01	ASSY,RIV BKT LD-R1
56	01A51487Y01	ASSY,RIV BKT LD-R2
57	44A50825Y01	GEAR,LOAD (A)
58	44A50826Y01	GEAR,LOAD (B)
59	07B51226Y01	BKT,SHAFT LOAD
60	03S30688Y17	SCR,MCH M1.4X2
61	04B41345P11	WASH,1.2X2.5X0.25
62	45B51235Y11	SLIDER,ARM LIFT(R)
63	41A60336Y01	SPRING,CLAMP-R
64	41A60335Y01	SPRING,CLAMP-L
65	41A60337Y01	SPRING,CLAMP-RTL
66	-----	ASSY,RIV ARM CLAMP
67	43A51239Y11	STOPPER,CLAMP
68	43B51225Y01	TABLE,CLAMPER
69	-----	ASSY,RIV CHAS PICK
70	07B51317Y01	BKT,SPINDLE ADJUST
71	84T65144Y01	FPC,DRIVE
72	07A50823Y01	BKT,SHAFT PICKUP
73	47A51347Y01	SHAFT,PICKUP MAIN
74	47A51348Y01	SHAFT,PICKUP SUB
75	41B50836Y01	SPRING,NUT
76	15A51210Y01	COVER,MAIN
77	03S94385F09	SCR,NYLOK M2X3 P2
78	45C51234Y01	SLIDER,8CM
79	01B61577Y01	ASSY,RIV LEVER-8L
80	45A51231Y01	LEVER,TRIGER 8CM
81	45A51232Y01	LEVER,TRIGER SUB
82	41A51394Y01	SPRING,LEV 8CM(L)
83	41A60346Y01	SPRING,LEV TRG-SUB
84	41A60347Y01	SPRING,SLD 8CM
86	07A60069Y01	BKT,SLIDER 8CM
87	15B61279Y11	SPACER,DAMPER
88	03S94385F98	SCR,NYLOK M2X2.5

IVA-D900(ELE)

Electrical Parts List (TUNER Unit)

*****MAIN P.W.Board

=====IC's

IC2000	51T55148Y01	TA8273H	-ZS
IC2001	51T93340F01	IC,NJM2060M-TE2-SE06	
IC2002	51T93340F01	IC,NJM2060M-TE2-SE06	
IC2005	51T35644Y01	CXA2069Q	-QT
IC2006	51T93340F02	NJM2060V-TE2	-SE2
IC2007	51T93340F02	NJM2060V-TE2	-SE2
IC2008	51T25576W07	NJM4580V-TE2	-SE2
IC2009	51T25576W07	NJM4580V-TE2	-SE2
IC2010	51T25576W07	NJM4580V-TE2	-SE2
IC2011	51T93340F01	IC,NJM2060M-TE2-SE06	
IC2014	51T25612Y01	TC4066BFT-EL	-SE5
IC2015	51T25612Y01	TC4066BFT-EL	-SE5
IC2016	51T25576W07	NJM4580V-TE2	-SE2
IC2017	51T25612Y01	TC4066BFT-EL	-SE5
IC2019	51T15605Y01	NJM2130F-TE1	-CP
IC2201	51T45654Y02	TC94A04AFD-015	-QT
IC2501	51T65577Y03	MTP,70F3033BYGC	
IC2800	51T45336Y01	L5952	-ZS
IC2801	51T25045Y04	AN7709SP-TX	-NE5
IC3501	51T95552W01	HA12187FP-EL	-SE2
IC3502	51T95552W01	HA12187FP-EL	-SE2
IC3503	51T15190Y01	TC74VHC04FT-EL	-SE5
IC3601	51T15614Y01	TC74HC4051AFT-EL-SE5	
IC3602	51T15614Y01	TC74HC4051AFT-EL-SE5	
IC3603	51T15191Y01	TC74VHC08FT-EL	-SE5
IC3604	51T15614Y01	TC74HC4051AFT-EL-SE5	
IC3605	51T15614Y01	TC74HC4051AFT-EL-SE5	
IC3606	51T25532Y01	TC74VHC00FT	-SE5
IC4200	51T15194Y01	TC74VHCT08AFT-EL-SE5	
IC4201	51T25404Y02	TC7W53FU-TE12L	-SE1
IC4202	51T25423Y02	NJM2283V-TE1	-SE2
IC4203	51T55392Y01	AN2546FH	-QT
IC4204	51T15731W10	TC7S66F-TE85L	-CP
IC4205	51T25423Y02	NJM2283V-TE1	-SE2
IC4206	51T25045Y03	AN7705SP-TX	-NE5
IC4207	51T75197W01	AN77L03M-E1	-NE2
IC4208	51T15457Y01	TC74HC4538AFT-EL-SE5	
IC4209	51T25407Y02	BA7606FS-E2	-SE5
IC4210	51T25532Y01	TC74VHC00FT	-SE5
IC4501	51T55107Y01	NJW1303-TE2	-SE2
IC4502	51T45407Y01	TC7SH86FU-TE85L	-CP
IC4503	51T35374Y01	TC7S04FU-L	-CP
IC4700	51T25239Y01	CXA2075M-T6	-SE9
IC4701	51T25114Y01	MSM5258MS-K-R4	-SE2
IC4702	51T35374Y01	TC7S04FU-L	-CP
IC4900	51T15549Y01	NJM2286V-TE1	-SE2

=====Transistors

Q1101	48T52437F01	TR ,2SB709A-QR/TX-CP	
Q1103	48T64221F13	TR,UN211H-TX	-CP
Q1104	48T64222F01	TR ,UN2211 10-10 -TX	

Q1106	48T64222F01	TR ,UN2211 10-10 -TX
Q2001	48T62967F03	TR,DTC124EKA-T146-CP
Q2003	48T25317Y01	TR,XN0F256-TX -CP
Q2004	48T25317Y01	TR,XN0F256-TX -CP
Q2005	48T25317Y01	TR,XN0F256-TX -CP
Q2006	48T94606F03	TR,DTC124EUA-T106-CP
Q2007	48T94606F03	TR,DTC124EUA-T106-CP
Q2008	48T63417F01	TR ,CP.2SC2412K -96
Q2009	48T63417F01	TR ,CP.2SC2412K -96
Q2010	48T63417F01	TR ,CP.2SC2412K -96
Q2011	48T25317Y01	TR,XN0F256-TX -CP
Q2012	48T25317Y01	TR,XN0F256-TX -CP
Q2013	48T73888F08	TR ,CP.FMG1-99
Q2015	48T63417F01	TR ,CP.2SC2412K -96
Q2016	48T25317Y01	TR,XN0F256-TX -CP
Q2301	48T62967F09	TR,DTC114TKA-T146-CP
Q2302	48T45594W12	TR ,XN1A312 -TX-CP
Q2303	48T94606F03	TR,DTC124EUA-T106-CP
Q2801	48T64221F11	TR,UN211L-TX -CP
Q2802	48T45594W12	TR ,XN1A312 -TX-CP
Q2803	48T62967F03	TR,DTC124EKA-T146-CP
Q2804	48T64221F11	TR,UN211L-TX -CP
Q2806	48T45594W16	TR,XN1A311-TX -CP
Q2807	48T45594W12	TR ,XN1A312 -TX-CP
Q2808	48T45594W12	TR ,XN1A312 -TX-CP
Q2809	48T94606F03	TR,DTC124EUA-T106-CP
Q2810	48T45594W12	TR ,XN1A312 -TX-CP
Q2811	48T94606F03	TR,DTC124EUA-T106-CP
Q2815	48T45594W12	TR ,XN1A312 -TX-CP
Q2816	48T94606F03	TR,DTC124EUA-T106-CP
Q2817	48T62967F03	TR,DTC124EKA-T146-CP
Q2818	48T94606F08	TR,DTC143EUA-T106-CP
Q2819	48T45594W12	TR ,XN1A312 -TX-CP
Q2820	48T84366F04	TR,2SB1243-QR-TV2-RD
Q2821	48T84366F04	TR,2SB1243-QR-TV2-RD
Q2822	48T94606F08	TR,DTC143EUA-T106-CP
Q2823	48T94606F08	TR,DTC143EUA-T106-CP
Q2824	48T94606F03	TR,DTC124EUA-T106-CP
Q2825	48T94606F67	TR,DTA123YUA-T106-CP
Q2826	48T94606F03	TR,DTC124EUA-T106-CP
Q4000	48T15656Y01	TR,2SC4617-TL -CP
Q4001	48T15657Y01	TR,2SA1774-TL -CP
Q4002	48T15656Y01	TR,2SC4617-TL -CP
Q4003	48T15656Y01	TR,2SC4617-TL -CP
Q4004	48T15657Y01	TR,2SA1774-TL -CP
Q4005	48T15656Y01	TR,2SC4617-TL -CP
Q4101	48T15656Y02	TR,2SC4617-Q-TL -CP
Q4102	48T15657Y01	TR,2SA1774-TL -CP
Q4103	48T15656Y01	TR,2SC4617-TL -CP
Q4104	48T15656Y01	TR,2SC4617-TL -CP
Q4105	48T15657Y01	TR,2SA1774-TL -CP
Q4106	48T15656Y01	TR,2SC4617-TL -CP
Q4107	48T15656Y01	TR,2SC4617-TL -CP
Q4108	48T15657Y01	TR,2SA1774-TL -CP
Q4109	48T15656Y01	TR,2SC4617-TL -CP
Q4110	48T15656Y01	TR,2SC4617-TL -CP
Q4111	48T15657Y01	TR,2SA1774-TL -CP

Q4112	48T15656Y01	TR,2SC4617-TL	-CP
Q4113	48T15656Y01	TR,2SC4617-TL	-CP
Q4114	48T15657Y01	TR,2SA1774-TL	-CP
Q4115	48T15656Y01	TR,2SC4617-TL	-CP
Q4200	48T63417F01	TR ,CP.2SC2412K	-96
Q4201	48T63417F01	TR ,CP.2SC2412K	-96
Q4202	48T63417F01	TR ,CP.2SC2412K	-96
Q4700	48T63417F01	TR ,CP.2SC2412K	-96
Q4701	48T63420F01	TR,2SA1037AK-146	-CP
Q4901	48T63420F01	TR,2SA1037AK-146	-CP
Q4902	48T63420F01	TR,2SA1037AK-146	-CP

=====Diodes

D1101	48T85357W01	DIO,1PS226	-CP
D2002	48T25651W01	DIO,CP MA152WA	
D2005	48T25651W01	DIO,CP MA152WA	
D2006	48T25651W01	DIO,CP MA152WA	
D2011	48T25593Y01	DIO,S1G-6904	-E1
D2012	48T25593Y01	DIO,S1G-6904	-E1
D2013	48T25593Y01	DIO,S1G-6904	-E1
D2014	48T25593Y01	DIO,S1G-6904	-E1
D2015	48T25593Y01	DIO,S1G-6904	-E1
D2016	48T25593Y01	DIO,S1G-6904	-E1
D2017	48T25593Y01	DIO,S1G-6904	-E1
D2018	48T25593Y01	DIO,S1G-6904	-E1
D2101	48T25651W01	DIO,CP MA152WA	
D2102	48T25651W01	DIO,CP MA152WA	
D2800	48T25593Y01	DIO,S1G-6904	-E1
D2801	48T25593Y01	DIO,S1G-6904	-E1
D2802	48T25593Y01	DIO,S1G-6904	-E1
D2803	48T25651W02	DIO,MA152WK-TX	-CP
D2804	48T25665Y01	DIO,1SS355-TE17	-CP
D2805	48T25651W02	DIO,MA152WK-TX	-CP
D2809	48T25651W02	DIO,MA152WK-TX	-CP
D2810	48T85357W01	DIO,1PS226	-CP
D2811	48T25665Y01	DIO,1SS355-TE17	-CP
D4200	48T25593Y01	DIO,S1G-6904	-E1
ZD2801	48T25064Y02	DIO,ZEN ZSH5MA27A-ED	
ZD2803	48T15541Y59	DIO,ZEN MAZS0560H-CP	
ZD3001	48T15541Y53	DIO,ZEN MAZS0560H-CP	
ZD3002	48T15541Y53	DIO,ZEN MAZS0560H-CP	
ZD3003	48T15541Y53	DIO,ZEN MAZS0560H-CP	
ZD3601	48T15541Y53	DIO,ZEN MAZS0560H-CP	
ZD3602	48T15541Y53	DIO,ZEN MAZS0560H-CP	
ZD3603	48T15541Y53	DIO,ZEN MAZS0560H-CP	
ZD3604	48T15541Y53	DIO,ZEN MAZS0560H-CP	
ZD3605	48T15541Y53	DIO,ZEN MAZS0560H-CP	
ZD3606	48T15541Y53	DIO,ZEN MAZS0560H-CP	
ZD3607	48T15541Y53	DIO,ZEN MAZS0560H-CP	
ZD3608	48T15541Y53	DIO,ZEN MAZS0560H-CP	
ZD3609	48T15541Y53	DIO,ZEN MAZS0560H-CP	
ZD3610	48T15541Y53	DIO,ZEN MAZS0560H-CP	
ZD3611	48T15541Y53	DIO,ZEN MAZS0560H-CP	

=====Coils

L1101	24T65172W17	IND,LEM4532 4R7K	-E2
L1103	24S45109Y08	IND,MA2125 15RK	-CP
L1104	24T25164Y21	IND,FSLM2520 4R7J-CP	
L1105	24T25164Y21	IND,FSLM2520 4R7J-CP	

L1106	24T25164Y21	IND,FSLM2520 4R7J-CP
L2001	24T95202W25	IND,CDRH64B 102M -E6
L4001	24T25164Y25	IND,FSLM2520 10RJ-CP
L4200	24T25164Y28	IND,FSLM2520 18RJ-CP
L4201	24T25164Y33	IND,FSLM2520 47RJ-CP
L4202	24T25164Y28	IND,FSLM2520 18RJ-CP
L4203	24T25164Y28	IND,FSLM2520 18RJ-CP
L4204	24T25164Y28	IND,FSLM2520 18RJ-CP
L4205	24T25164Y28	IND,FSLM2520 18RJ-CP
VL2801	24T75055W08	CHOKE,SA10HA-452JA +
VT1102	24T35286Y02	IND,MG56 332J -DB
=====Filters		
CF1101	91T75257W02	LPF,LPF11830KH-3C-DB
Z2201	91T65112W06	EMI,BK2125HM102 -CP
Z2202	91T65112W06	EMI,BK2125HM102 -CP
Z2204	91T65112W06	EMI,BK2125HM102 -CP
Z2205	91T65112W06	EMI,BK2125HM102 -CP
Z2206	91T65112W06	EMI,BK2125HM102 -CP
Z2207	91T65112W06	EMI,BK2125HM102 -CP
Z2210	91T45160Y01	EMI,CNH31R473S -CP
Z2501	91T15509Y08	EMI,BK1608HM102 -CP
Z2502	91T15509Y08	EMI,BK1608HM102 -CP
Z2503	91T15509Y08	EMI,BK1608HM102 -CP
Z2504	91T15509Y08	EMI,BK1608HM102 -CP
Z2505	91T15509Y08	EMI,BK1608HM102 -CP
Z2506	91T45543Y01	EMI,NFM41PC204F1H-E1
Z2507	91T45543Y01	EMI,NFM41PC204F1H-E1
=====Crystals		
CL4501	91T45289W02	OSC,CER CSBLA503K +
XL2201	91T35227Y03	XTL,CS10 33.8688M-E2
XL2501	91T95554W01	XTL,CM200S 32.76K-E5
XL4200	91T94641F02	XTL,NR-18 3.579545M+
XL4701	91T35088Y03	XTL,AT-49 3.5795M-R5
XL4902	91T45637Y12	XTL,CMR309T 18.9M-E9
=====Switches		
SW2001	40T15452Y01	SW,SLIDE SLD-62-724X((EQ/DIV)/NORM)
SW2002	40T15452Y01	SW,SLIDE SLD-62-724X((EQ/DIV)/NORM)
=====Surge Protector		
SA1101	48T81048F02	PTT,DSP-201M -RD
=====Capacitors		
C1112	08S45676W80	CAP,CER 223K-B1E -CP
C1113	08S45676W80	CAP,CER 223K-B1E -CP
C1114	08S45676W80	CAP,CER 223K-B1E -CP
C1115	08S45676W80	CAP,CER 223K-B1E -CP
C1120	08S45677W60	CAP,CER 102J-CH1H-CP
C1122	08S45676W89	CAP,CER 473K-B1E -CP
C1131	08S45676W80	CAP,CER 223K-B1E -CP
C1132	08S65128F69	CAP,CER.103K-B1H -CP
C1133	08S65128F69	CAP,CER.103K-B1H -CP
C2000	08S45676W80	CAP,CER 223K-B1E -CP
C2001	08S45677W60	CAP,CER 102J-CH1H-CP
C2002	08S45677W60	CAP,CER 102J-CH1H-CP
C2003	08S45677W60	CAP,CER 102J-CH1H-CP
C2004	08S45677W60	CAP,CER 102J-CH1H-CP
C2005	08S45677W60	CAP,CER 102J-CH1H-CP
C2006	08S45677W60	CAP,CER 102J-CH1H-CP
C2009	08S45676W89	CAP,CER 473K-B1E -CP

C2010	08S45676W85	CAP,CER 104K-B1C -CP
C2011	08T25191Y04	CAP,CER 225K-B1A -CP
C2012	08T25191Y04	CAP,CER 225K-B1A -CP
C2013	08T25191Y04	CAP,CER 225K-B1A -CP
C2014	08T25191Y04	CAP,CER 225K-B1A -CP
C2015	08S45676W89	CAP,CER 473K-B1E -CP
C2017	08S45677W25	CAP,CER 36RJ-CH1H-CP
C2018	08S45677W25	CAP,CER 36RJ-CH1H-CP
C2019	08S45677W25	CAP,CER 36RJ-CH1H-CP
C2020	08S45677W25	CAP,CER 36RJ-CH1H-CP
C2021	08S45677W25	CAP,CER 36RJ-CH1H-CP
C2022	08S45677W25	CAP,CER 36RJ-CH1H-CP
C2023	08T81833F11	CAP,CER 225K-B1C -CP
C2024	08T81833F11	CAP,CER 225K-B1C -CP
C2025	08T81833F11	CAP,CER 225K-B1C -CP
C2026	08T81833F11	CAP,CER 225K-B1C -CP
C2027	08T81833F11	CAP,CER 225K-B1C -CP
C2028	08T81833F11	CAP,CER 225K-B1C -CP
C2029	08T81833F11	CAP,CER 225K-B1C -CP
C2030	08T81833F11	CAP,CER 225K-B1C -CP
C2031	08S35350Y04	CAP,CER 105K-B1C -CP
C2032	08S35350Y04	CAP,CER 105K-B1C -CP
C2033	08S35350Y04	CAP,CER 105K-B1C -CP
C2034	08S35350Y04	CAP,CER 105K-B1C -CP
C2035	08S35350Y04	CAP,CER 105K-B1C -CP
C2036	08S35350Y04	CAP,CER 105K-B1C -CP
C2037	08S45677W20	CAP,CER.22RJ-CH1H-CP
C2038	08S45677W20	CAP,CER.22RJ-CH1H-CP
C2039	08S45677W20	CAP,CER.22RJ-CH1H-CP
C2040	08S45677W20	CAP,CER.22RJ-CH1H-CP
C2041	08S45677W20	CAP,CER.22RJ-CH1H-CP
C2042	08S45677W20	CAP,CER.22RJ-CH1H-CP
C2043	08S45677W20	CAP,CER.22RJ-CH1H-CP
C2044	08S45677W20	CAP,CER.22RJ-CH1H-CP
C2045	08S35350Y04	CAP,CER 105K-B1C -CP
C2046	08S35350Y04	CAP,CER 105K-B1C -CP
C2047	08S35350Y04	CAP,CER 105K-B1C -CP
C2048	08S35350Y04	CAP,CER 105K-B1C -CP
C2049	08S45677W20	CAP,CER.22RJ-CH1H-CP
C2050	08S45677W20	CAP,CER.22RJ-CH1H-CP
C2051	08S45677W20	CAP,CER.22RJ-CH1H-CP
C2052	08S45677W20	CAP,CER.22RJ-CH1H-CP
C2053	08S45677W20	CAP,CER.22RJ-CH1H-CP
C2054	08S45677W20	CAP,CER.22RJ-CH1H-CP
C2055	08S45677W20	CAP,CER.22RJ-CH1H-CP
C2056	08S45677W20	CAP,CER.22RJ-CH1H-CP
C2057	08S45677W20	CAP,CER.22RJ-CH1H-CP
C2058	08S45677W20	CAP,CER.22RJ-CH1H-CP
C2059	08S45677W20	CAP,CER.22RJ-CH1H-CP
C2060	08S45677W20	CAP,CER.22RJ-CH1H-CP
C2061	08S45677W20	CAP,CER.22RJ-CH1H-CP
C2062	08S45677W20	CAP,CER.22RJ-CH1H-CP
C2063	08S45677W20	CAP,CER.22RJ-CH1H-CP
C2064	08S45677W20	CAP,CER.22RJ-CH1H-CP
C2065	08S45677W20	CAP,CER.22RJ-CH1H-CP
C2066	08S45677W20	CAP,CER.22RJ-CH1H-CP
C2067	08S45676W80	CAP,CER 223K-B1E -CP

C2069	08S45676W71	CAP,CER.682K-B1H -CP
C2070	08S35350Y04	CAP,CER 105K-B1C -CP
C2071	08S35350Y04	CAP,CER 105K-B1C -CP
C2072	08S45676W85	CAP,CER 104K-B1C -CP
C2073	08S45677W60	CAP,CER 102J-CH1H-CP
C2074	08S45677W60	CAP,CER 102J-CH1H-CP
C2075	08S45676W85	CAP,CER 104K-B1C -CP
C2076	08S45539Y04	CAP,CER 103KX7R2J-CP
C2081	08S45676W85	CAP,CER 104K-B1C -CP
C2087	08S35350Y04	CAP,CER 105K-B1C -CP
C2088	08S35350Y04	CAP,CER 105K-B1C -CP
C2089	08S35350Y04	CAP,CER 105K-B1C -CP
C2090	08S35350Y04	CAP,CER 105K-B1C -CP
C2091	08S35350Y04	CAP,CER 105K-B1C -CP
C2092	08S35350Y04	CAP,CER 105K-B1C -CP
C2093	08S35350Y04	CAP,CER 105K-B1C -CP
C2094	08S35350Y04	CAP,CER 105K-B1C -CP
C2095	08S35350Y04	CAP,CER 105K-B1C -CP
C2096	08S35350Y04	CAP,CER 105K-B1C -CP
C2097	08S35350Y04	CAP,CER 105K-B1C -CP
C2098	08S35350Y04	CAP,CER 105K-B1C -CP
C2101	08S45676W85	CAP,CER 104K-B1C -CP
C2103	08S35350Y04	CAP,CER 105K-B1C -CP
C2104	08S35350Y04	CAP,CER 105K-B1C -CP
C2105	08S35350Y04	CAP,CER 105K-B1C -CP
C2106	08S35350Y04	CAP,CER 105K-B1C -CP
C2107	08S35350Y04	CAP,CER 105K-B1C -CP
C2108	08S35350Y04	CAP,CER 105K-B1C -CP
C2109	08T35688Y02	CAP,CER 475K-B1C -CP
C2110	08S45676W80	CAP,CER 223K-B1E -CP
C2120	08S45677W36	CAP,CER.101J-CH1H-CP
C2121	08S45677W36	CAP,CER.101J-CH1H-CP
C2122	08S45677W36	CAP,CER.101J-CH1H-CP
C2123	08S45677W36	CAP,CER.101J-CH1H-CP
C2124	08S45677W36	CAP,CER.101J-CH1H-CP
C2125	08S45677W36	CAP,CER.101J-CH1H-CP
C2126	08S45677W60	CAP,CER 102J-CH1H-CP
C2127	08S45677W60	CAP,CER 102J-CH1H-CP
C2128	08S45677W60	CAP,CER 102J-CH1H-CP
C2129	08S45677W60	CAP,CER 102J-CH1H-CP
C2130	08S45677W36	CAP,CER.101J-CH1H-CP
C2131	08S45677W36	CAP,CER.101J-CH1H-CP
C2132	08S45677W36	CAP,CER.101J-CH1H-CP
C2133	08S45677W36	CAP,CER.101J-CH1H-CP
C2134	08S45677W36	CAP,CER.101J-CH1H-CP
C2135	08S45677W36	CAP,CER.101J-CH1H-CP
C2137	08S45677W29	CAP,CER 51RJ-CH1H-CP
C2139	08S82122F45	CAP,CER.221J-CH1H-CP
C2140	08S82122F45	CAP,CER.221J-CH1H-CP
C2201	08S45676W85	CAP,CER 104K-B1C -CP
C2202	08S45676W73	CAP,CER.103K-B1H -CP
C2203	08S45676W73	CAP,CER.103K-B1H -CP
C2204	08S45676W73	CAP,CER.103K-B1H -CP
C2205	08S45676W65	CAP,CER.222K-B1H -CP
C2206	08S45676W65	CAP,CER.222K-B1H -CP
C2207	08T81833F08	CAP,CER 475K-B1A -CP
C2208	08T81833F08	CAP,CER 475K-B1A -CP

C2209	08S45676W73	CAP,CER.103K-B1H -CP
C2210	08S45677W60	CAP,CER 102J-CH1H-CP
C2211	08S45677W12	CAP,CER.10RD-CH1H-CP
C2212	08S45677W10	CAP,CER 8R0D-CH1H-CP
C2213	08S45676W73	CAP,CER.103K-B1H -CP
C2214	08S45677W36	CAP,CER.101J-CH1H-CP
C2225	08S35350Y04	CAP,CER 105K-B1C -CP
C2227	08S35349Y16	CAP,CER 105K-B1A -CP
C2243	08S45677W25	CAP,CER 36RJ-CH1H-CP
C2244	08S45677W25	CAP,CER 36RJ-CH1H-CP
C2247	08S45677W25	CAP,CER 36RJ-CH1H-CP
C2248	08S45677W25	CAP,CER 36RJ-CH1H-CP
C2251	08S35350Y04	CAP,CER 105K-B1C -CP
C2252	08S35350Y04	CAP,CER 105K-B1C -CP
C2253	08S35350Y04	CAP,CER 105K-B1C -CP
C2254	08S35350Y04	CAP,CER 105K-B1C -CP
C2255	08S45677W12	CAP,CER.10RD-CH1H-CP
C2256	08S45677W12	CAP,CER.10RD-CH1H-CP
C2257	08S45677W48	CAP,CER.331J-CH1H-CP
C2258	08S45677W48	CAP,CER.331J-CH1H-CP
C2259	08S45677W44	CAP,CER.221J-CH1H-CP
C2260	08S45677W44	CAP,CER.221J-CH1H-CP
C2261	08S45677W48	CAP,CER.331J-CH1H-CP
C2262	08S45677W48	CAP,CER.331J-CH1H-CP
C2263	08S45677W12	CAP,CER.10RD-CH1H-CP
C2264	08S45677W12	CAP,CER.10RD-CH1H-CP
C2265	08S45677W48	CAP,CER.331J-CH1H-CP
C2266	08S45677W48	CAP,CER.331J-CH1H-CP
C2267	08S45677W44	CAP,CER.221J-CH1H-CP
C2268	08S45677W44	CAP,CER.221J-CH1H-CP
C2269	08S45677W48	CAP,CER.331J-CH1H-CP
C2270	08S45677W48	CAP,CER.331J-CH1H-CP
C2301	08S35350Y04	CAP,CER 105K-B1C -CP
C2501	08S45676W73	CAP,CER.103K-B1H -CP
C2502	08S45676W73	CAP,CER.103K-B1H -CP
C2503	08S45676W73	CAP,CER.103K-B1H -CP
C2504	08S45676W73	CAP,CER.103K-B1H -CP
C2505	08S45677W22	CAP,CER.27RJ-CH1H-CP
C2506	08S45677W20	CAP,CER.22RJ-CH1H-CP
C2507	08S45677W12	CAP,CER.10RD-CH1H-CP
C2508	08S45677W14	CAP,CER.12RJ-CH1H-CP
C2509	08S45676W80	CAP,CER 223K-B1E -CP
C2517	08S35350Y04	CAP,CER 105K-B1C -CP
C2521	08S45676W80	CAP,CER 223K-B1E -CP
C2522	08S45677W60	CAP,CER 102J-CH1H-CP
C2800	08T65231Y01	CAP,CER 226K-BJ1A-CP
C2801	08S45676W80	CAP,CER 223K-B1E -CP
C2802	08S45676W89	CAP,CER 473K-B1E -CP
C2804	08S35374W07	CAP,CER 334K-B1C -CP
C2807	08S45676W80	CAP,CER 223K-B1E -CP
C2808	08S45676W80	CAP,CER 223K-B1E -CP
C2809	08S45676W80	CAP,CER 223K-B1E -CP
C2812	08S35350Y04	CAP,CER 105K-B1C -CP
C2813	08S45676W80	CAP,CER 223K-B1E -CP
C2814	08S45676W80	CAP,CER 223K-B1E -CP
C2815	08S45676W80	CAP,CER 223K-B1E -CP
C2816	08S45676W80	CAP,CER 223K-B1E -CP

C2817	08S45676W80	CAP,CER 223K-B1E -CP
C2818	08S45676W80	CAP,CER 223K-B1E -CP
C2821	08S45676W85	CAP,CER 104K-B1C -CP
C2822	08S45676W85	CAP,CER 104K-B1C -CP
C2823	08S45676W85	CAP,CER 104K-B1C -CP
C2824	08S35350Y04	CAP,CER 105K-B1C -CP
C2825	08S35349Y16	CAP,CER 105K-B1A -CP
C2826	08T25628Y03	CAP,TF 224M-1C -CP
C2827	08S45539Y04	CAP,CER 103KX7R2J-CP
C2828	08S45539Y04	CAP,CER 103KX7R2J-CP
C2851	08S45676W85	CAP,CER 104K-B1C -CP
C2854	08S45676W85	CAP,CER 104K-B1C -CP
C2856	08S45676W85	CAP,CER 104K-B1C -CP
C2867	08S45676W80	CAP,CER 223K-B1E -CP
C3501	08S45676W80	CAP,CER 223K-B1E -CP
C3502	08S45676W80	CAP,CER 223K-B1E -CP
C3503	08S45676W80	CAP,CER 223K-B1E -CP
C3601	08S45676W80	CAP,CER 223K-B1E -CP
C3602	08S45676W80	CAP,CER 223K-B1E -CP
C3603	08S45676W80	CAP,CER 223K-B1E -CP
C3604	08S45676W80	CAP,CER 223K-B1E -CP
C3605	08S45676W80	CAP,CER 223K-B1E -CP
C3606	08S45676W80	CAP,CER 223K-B1E -CP
C4001	08S45676W85	CAP,CER 104K-B1C -CP
C4002	08S35350Y05	CAP,CER 105K-B1A -CP
C4003	08S45677W18	CAP,CER.18RJ-CH1H-CP
C4004	08S45677W18	CAP,CER.18RJ-CH1H-CP
C4100	08S45676W80	CAP,CER 223K-B1E -CP
C4101	08T81833F07	CAP,CER 105K-B1C -CP
C4102	08S45677W18	CAP,CER.18RJ-CH1H-CP
C4103	08S45677W18	CAP,CER.18RJ-CH1H-CP
C4104	08S45677W18	CAP,CER.18RJ-CH1H-CP
C4105	08S45677W18	CAP,CER.18RJ-CH1H-CP
C4200	08S45676W85	CAP,CER 104K-B1C -CP
C4201	08S45676W80	CAP,CER 223K-B1E -CP
C4202	08S45676W80	CAP,CER 223K-B1E -CP
C4203	08S45677W56	CAP,CER 681J-CH1H-CP
C4205	08S35374W11	CAP,CER 475K-B0J -CP
C4206	08S35374W11	CAP,CER 475K-B0J -CP
C4207	08S35374W11	CAP,CER 475K-B0J -CP
C4208	08S35374W12	CAP,CER 106K-B0J -CP
C4209	08S35374W11	CAP,CER 475K-B0J -CP
C4210	08S35374W10	CAP,CER 225K-B1A -CP
C4211	08S45676W85	CAP,CER 104K-B1C -CP
C4212	08S45676W85	CAP,CER 104K-B1C -CP
C4213	08S45676W85	CAP,CER 104K-B1C -CP
C4214	08S35374W12	CAP,CER 106K-B0J -CP
C4215	08T81833F13	CAP,CER 106K-B1C -CP
C4216	08S35374W12	CAP,CER 106K-B0J -CP
C4217	08S35349Y15	CAP,CER 474K-B1A -CP
C4218	08S45677W26	CAP,CER.39RJ-CH1H-CP
C4219	08S45676W85	CAP,CER 104K-B1C -CP
C4220	08S45676W85	CAP,CER 104K-B1C -CP
C4221	08T81833F11	CAP,CER 225K-B1C -CP
C4222	08S45676W85	CAP,CER 104K-B1C -CP
C4223	08S45676W85	CAP,CER 104K-B1C -CP
C4224	08S45676W85	CAP,CER 104K-B1C -CP

C4225	08S45676W73	CAP,CER.103K-B1H -CP
C4226	08S45676W85	CAP,CER 104K-B1C -CP
C4227	08S45676W85	CAP,CER 104K-B1C -CP
C4228	08T81833F11	CAP,CER 225K-B1C -CP
C4231	08S45676W80	CAP,CER 223K-B1E -CP
C4232	08S35349Y16	CAP,CER 105K-B1A -CP
C4233	08S45677W12	CAP,CER.10RD-CH1H-CP
C4234	08T81833F11	CAP,CER 225K-B1C -CP
C4242	08S45676W85	CAP,CER 104K-B1C -CP
C4243	08S45676W85	CAP,CER 104K-B1C -CP
C4244	08S45676W85	CAP,CER 104K-B1C -CP
C4245	08S35349Y16	CAP,CER 105K-B1A -CP
C4246	08S35349Y16	CAP,CER 105K-B1A -CP
C4247	08S35349Y16	CAP,CER 105K-B1A -CP
C4248	08S35374W11	CAP,CER 475K-B0J -CP
C4249	08S35374W11	CAP,CER 475K-B0J -CP
C4250	08S35374W11	CAP,CER 475K-B0J -CP
C4253	08S45676W85	CAP,CER 104K-B1C -CP
C4254	08T81833F08	CAP,CER 475K-B1A -CP
C4255	08T81833F08	CAP,CER 475K-B1A -CP
C4256	08S45676W85	CAP,CER 104K-B1C -CP
C4257	08T81833F08	CAP,CER 475K-B1A -CP
C4258	08S45676W85	CAP,CER 104K-B1C -CP
C4259	08S45676W85	CAP,CER 104K-B1C -CP
C4260	08S45676W85	CAP,CER 104K-B1C -CP
C4261	08S35374W07	CAP,CER 334K-B1C -CP
C4262	08S45676W85	CAP,CER 104K-B1C -CP
C4263	08S35374W07	CAP,CER 334K-B1C -CP
C4264	08S45676W85	CAP,CER 104K-B1C -CP
C4265	08S45677W60	CAP,CER 102J-CH1H-CP
C4266	08S45677W36	CAP,CER.101J-CH1H-CP
C4267	08S45676W80	CAP,CER 223K-B1E -CP
C4268	08S45676W80	CAP,CER 223K-B1E -CP
C4269	08S45676W85	CAP,CER 104K-B1C -CP
C4270	08S35374W11	CAP,CER 475K-B0J -CP
C4271	08S35374W11	CAP,CER 475K-B0J -CP
C4272	08S35374W11	CAP,CER 475K-B0J -CP
C4273	08S45676W85	CAP,CER 104K-B1C -CP
C4274	08T81833F13	CAP,CER 106K-B1C -CP
C4501	08S35349Y16	CAP,CER 105K-B1A -CP
C4502	08S45676W75	CAP,CER.153K-B1H -CP
C4503	08S35374W11	CAP,CER 475K-B0J -CP
C4504	08S45677W40	CAP,CER.151J-CH1H-CP
C4505	08S45677W60	CAP,CER 102J-CH1H-CP
C4506	08S35349Y16	CAP,CER 105K-B1A -CP
C4507	08S45677W48	CAP,CER.331J-CH1H-CP
C4509	08S35374W12	CAP,CER 106K-B0J -CP
C4510	08S45676W85	CAP,CER 104K-B1C -CP
C4511	08S45676W85	CAP,CER 104K-B1C -CP
C4512	08S45676W85	CAP,CER 104K-B1C -CP
C4700	08S45676W80	CAP,CER 223K-B1E -CP
C4701	08S45676W80	CAP,CER 223K-B1E -CP
C4702	08S45676W80	CAP,CER 223K-B1E -CP
C4703	08S45677W22	CAP,CER.27RJ-CH1H-CP
C4704	08S45677W22	CAP,CER.27RJ-CH1H-CP
C4705	08S45676W73	CAP,CER.103K-B1H -CP
C4706	08S45677W28	CAP,CER 47RJ-CH1H-CP

C4707	08S45677W07	CAP,CER.5R0C-CH1H-CP
C4708	08S35374W10	CAP,CER 225K-B1A -CP
C4709	08S35374W10	CAP,CER 225K-B1A -CP
C4710	08S35374W10	CAP,CER 225K-B1A -CP
C4711	08S45676W80	CAP,CER 223K-B1E -CP
C4900	08S45676W85	CAP,CER 104K-B1C -CP
C4901	08S45676W85	CAP,CER 104K-B1C -CP
C4902	08S45676W85	CAP,CER 104K-B1C -CP
C4903	08S45676W85	CAP,CER 104K-B1C -CP
C4904	08S45676W85	CAP,CER 104K-B1C -CP
E1101	23S65134W24	CAP,ELY 221-1A(8)-E6
E1103	23S65134W32	CAP,ELY 22R-1C(5)-E3
E2001	23S65134W32	CAP,ELY 22R-1C(5)-E3
E2002	23S65134W32	CAP,ELY 22R-1C(5)-E3
E2003	23T85403W21	CAP,HA 1R0-1H-B -E2
E2005	23T95564W05	CAP,FC 221-0J-E -E6
E2007	23T95564W08	CAP,FC 10R-1C-B -E2
E2009	23S65134W52	CAP,ELY 3R3-1V(3)-E2
E2010	23S65134W52	CAP,ELY 3R3-1V(3)-E2
E2011	23T85403W07	CAP,HA 10R-1C-B -E2
E2012	23T85403W07	CAP,HA 10R-1C-B -E2
E2013	23T85403W07	CAP,HA 10R-1C-B -E2
E2014	23T85403W07	CAP,HA 10R-1C-B -E2
E2015	23S65134W52	CAP,ELY 3R3-1V(3)-E2
E2016	23S65134W52	CAP,ELY 3R3-1V(3)-E2
E2025	23S65134W32	CAP,ELY 22R-1C(5)-E3
E2026	23S65134W11	CAP,ELY 22R-0J(4)-E2
E2027	23S65134W51	CAP,ELY 2R2-1V(3)-E2
E2028	23S65134W51	CAP,ELY 2R2-1V(3)-E2
E2029	23S65134W32	CAP,ELY 22R-1C(5)-E3
E2030	23S65134W32	CAP,ELY 22R-1C(5)-E3
E2031	23S65134W51	CAP,ELY 2R2-1V(3)-E2
E2032	23S65134W51	CAP,ELY 2R2-1V(3)-E2
E2033	23S65134W32	CAP,ELY 22R-1C(5)-E3
E2034	23S65134W32	CAP,ELY 22R-1C(5)-E3
E2035	23S65134W51	CAP,ELY 2R2-1V(3)-E2
E2036	23S65134W51	CAP,ELY 2R2-1V(3)-E2
E2037	23S65134W32	CAP,ELY 22R-1C(5)-E3
E2038	23S65134W32	CAP,ELY 22R-1C(5)-E3
E2039	23S65134W51	CAP,ELY 2R2-1V(3)-E2
E2040	23S65134W51	CAP,ELY 2R2-1V(3)-E2
E2041	23S65134W51	CAP,ELY 2R2-1V(3)-E2
E2042	23S65134W51	CAP,ELY 2R2-1V(3)-E2
E2043	23S65134W51	CAP,ELY 2R2-1V(3)-E2
E2044	23S65134W51	CAP,ELY 2R2-1V(3)-E2
E2048	23S65134W32	CAP,ELY 22R-1C(5)-E3
E2067	23S65134W31	CAP,ELY 10R-1C(4)-E2
E2068	23S65134W31	CAP,ELY 10R-1C(4)-E2
E2069	23S65134W23	CAP,ELY 101-1A(6)-E6
E2070	23S65134W32	CAP,ELY 22R-1C(5)-E3
E2074	23S65134W32	CAP,ELY 22R-1C(5)-E3
E2099	23S65134W51	CAP,ELY 2R2-1V(3)-E2
E2100	23S65134W51	CAP,ELY 2R2-1V(3)-E2
E2101	23S65134W31	CAP,ELY 10R-1C(4)-E2
E2102	23S65134W31	CAP,ELY 10R-1C(4)-E2
E2103	23S65134W31	CAP,ELY 10R-1C(4)-E2
E2104	23S65134W31	CAP,ELY 10R-1C(4)-E2

E2105	23S65134W44	CAP,ELY 22R-1E(6)-E6
E2106	23S65134W31	CAP,ELY 10R-1C(4)-E2
E2107	23S65134W31	CAP,ELY 10R-1C(4)-E2
E2109	23S65134W31	CAP,ELY 10R-1C(4)-E2
E2110	23S65134W31	CAP,ELY 10R-1C(4)-E2
E2111	23S65134W31	CAP,ELY 10R-1C(4)-E2
E2112	23S65134W31	CAP,ELY 10R-1C(4)-E2
E2117	23S65134W32	CAP,ELY 22R-1C(5)-E3
E2123	23S65134W31	CAP,ELY 10R-1C(4)-E2
E2141	23S65134W32	CAP,ELY 22R-1C(5)-E3
E2151	23S65134W31	CAP,ELY 10R-1C(4)-E2
E2201	23S65134W32	CAP,ELY 22R-1C(5)-E3
E2202	23S65134W11	CAP,ELY 22R-0J(4)-E2
E2203	23S65134W11	CAP,ELY 22R-0J(4)-E2
E2204	23S65134W12	CAP,ELY 47R-0J(5)-E3
E2205	23S65134W12	CAP,ELY 47R-0J(5)-E3
E2206	23S65134W12	CAP,ELY 47R-0J(5)-E3
E2207	23S65134W12	CAP,ELY 47R-0J(5)-E3
E2208	23S65134W12	CAP,ELY 47R-0J(5)-E3
E2209	23S65134W12	CAP,ELY 47R-0J(5)-E3
E2302	23S65134W32	CAP,ELY 22R-1C(5)-E3
E2501	23S65134W13	CAP,ELY 101-0J(6)-E6
E2802	23S55044Y01	CAP,ELY 471-1C -R3
E2803	23T75480W42	CAP,VZ 472-1C +
E2804	23T95564W27	CAP,FC 101-1A-E -E6
E2805	23T95564W02	CAP,FC 47R-0J-C -E3
E2806	23T95564W10	CAP,FC 47R-1C-D -E6
E2807	23T95564W02	CAP,FC 47R-0J-C -E3
E2808	23T95564W10	CAP,FC 47R-1C-D -E6
E2809	23T95564W12	CAP,FC 101-1C-E -E6
E2810	23T95564W10	CAP,FC 47R-1C-D -E6
E2812	23T95564W27	CAP,FC 101-1A-E -E6
E2814	23S65134W80	CAP,ELY 10R-1C(3)-E2
E2815	23S65134W34	CAP,ELY 47R-1C(6)-E6
E2818	23S65134W11	CAP,ELY 22R-0J(4)-E2
E4001	23S65134W31	CAP,ELY 10R-1C(4)-E2
E4002	23S65134W31	CAP,ELY 10R-1C(4)-E2
E4003	23S65134W32	CAP,ELY 22R-1C(5)-E3
E4004	23S65134W23	CAP,ELY 101-1A(6)-E6
E4005	23S65134W31	CAP,ELY 10R-1C(4)-E2
E4006	23S65134W23	CAP,ELY 101-1A(6)-E6
E4100	23S65134W32	CAP,ELY 22R-1C(5)-E3
E4101	23S65134W31	CAP,ELY 10R-1C(4)-E2
E4102	23S65134W23	CAP,ELY 101-1A(6)-E6
E4103	23S65134W31	CAP,ELY 10R-1C(4)-E2
E4104	23S65134W23	CAP,ELY 101-1A(6)-E6
E4105	23S65134W31	CAP,ELY 10R-1C(4)-E2
E4106	23S65134W23	CAP,ELY 101-1A(6)-E6
E4107	23S65134W31	CAP,ELY 10R-1C(4)-E2
E4108	23S65134W23	CAP,ELY 101-1A(6)-E6
E4200	23S65134W12	CAP,ELY 47R-0J(5)-E3
E4204	23S65134W32	CAP,ELY 22R-1C(5)-E3
E4206	23S65134W12	CAP,ELY 47R-0J(5)-E3
E4207	23S65134W34	CAP,ELY 47R-1C(6)-E6
E4209	23S65134W12	CAP,ELY 47R-0J(5)-E3
E4213	23S65134W32	CAP,ELY 22R-1C(5)-E3
E4214	23S65134W12	CAP,ELY 47R-0J(5)-E3

E4215	23S65134W31	CAP,ELY 10R-1C(4)-E2
E4216	23T95564W04	CAP,FC 101-0J-D -E6
E4217	23S65134W12	CAP,ELY 47R-0J(5)-E3
E4218	23S65134W12	CAP,ELY 47R-0J(5)-E3
E4700	23S65134W12	CAP,ELY 47R-0J(5)-E3
E4701	23S65134W12	CAP,ELY 47R-0J(5)-E3
E4702	23S65134W24	CAP,ELY 221-1A(8)-E6
E4703	23S65134W24	CAP,ELY 221-1A(8)-E6
E4704	23S65134W24	CAP,ELY 221-1A(8)-E6
E4900	23S95415W02	CAP,ELY 471-1A -R2
E4901	23S65134W31	CAP,ELY 10R-1C(4)-E2
E4902	23S65134W31	CAP,ELY 10R-1C(4)-E2
E4903	23S95415W02	CAP,ELY 471-1A -R2
E4904	23S65134W32	CAP,ELY 22R-1C(5)-E3
R2868	08S35349Y12	CAP,CER 105K-B0J -CP

=====Resistors

R1112	06S70072F05	RES,CP .10R-J-1/4-CP
R1114	06S45674W69	RES,RK 332J 1/10 -CP
R1115	06S64996F18	RES,RK 474J 1/8 -CP
R1118	06S70072F57	RES,CP .152-J-1/4-CP
R1121	06S45674W33	RES,RK 101J 1/10 -CP
R1122	06S45674W81	RES,RK 103J 1/10 -CP
R1123	06S45674W81	RES,RK 103J 1/10 -CP
R1150	06S45675W43	RES,RK JUMPER1/10-CP
R1151	06S45675W43	RES,RK JUMPER1/10-CP
R2000	06S45674W81	RES,RK 103J 1/10 -CP
R2001	06S45674W97	RES,RK 473J 1/10 -CP
R2002	06S45674W97	RES,RK 473J 1/10 -CP
R2003	06S45674W73	RES,RK 472J 1/10 -CP
R2004	06S45675W43	RES,RK JUMPER1/10-CP
R2007	06S45674W97	RES,RK 473J 1/10 -CP
R2008	06S45675W06	RES,RK 104J 1/10 -CP
R2009	06S45674W89	RES,RK 223J 1/10 -CP
R2010	06S45674W89	RES,RK 223J 1/10 -CP
R2011	06S45674W49	RES,RK 471J 1/10 -CP
R2012	06S45674W49	RES,RK 471J 1/10 -CP
R2013	06S45674W41	RES,RK 221J 1/10 -CP
R2014	06S45674W41	RES,RK 221J 1/10 -CP
R2015	06S45674W81	RES,RK 103J 1/10 -CP
R2017	06S45674W81	RES,RK 103J 1/10 -CP
R2018	06S45674W33	RES,RK 101J 1/10 -CP
R2019	06S45674W49	RES,RK 471J 1/10 -CP
R2020	06S45674W49	RES,RK 471J 1/10 -CP
R2021	06S45674W33	RES,RK 101J 1/10 -CP
R2029	06S45675W04	RES,RK 823J 1/10 -CP
R2030	06S45675W04	RES,RK 823J 1/10 -CP
R2031	06S45674W33	RES,RK 101J 1/10 -CP
R2032	06S45674W57	RES,RK 102J 1/10 -CP
R2045	06S45675W04	RES,RK 823J 1/10 -CP
R2046	06S45675W04	RES,RK 823J 1/10 -CP
R2049	06S45674W89	RES,RK 223J 1/10 -CP
R2050	06S45674W89	RES,RK 223J 1/10 -CP
R2053	06S45674W89	RES,RK 223J 1/10 -CP
R2054	06S45674W89	RES,RK 223J 1/10 -CP
R2055	06S45675W06	RES,RK 104J 1/10 -CP
R2056	06S45675W06	RES,RK 104J 1/10 -CP
R2057	06S45674W87	RES,RK 183J 1/10 -CP

R2058	06S45674W87	RES,RK 183J 1/10 -CP
R2059	06S45674W89	RES,RK 223J 1/10 -CP
R2060	06S45674W89	RES,RK 223J 1/10 -CP
R2061	06S45675W06	RES,RK 104J 1/10 -CP
R2062	06S45675W06	RES,RK 104J 1/10 -CP
R2063	06S45674W87	RES,RK 183J 1/10 -CP
R2064	06S45674W87	RES,RK 183J 1/10 -CP
R2065	06S45674W89	RES,RK 223J 1/10 -CP
R2066	06S45674W89	RES,RK 223J 1/10 -CP
R2067	06S45675W06	RES,RK 104J 1/10 -CP
R2068	06S45675W06	RES,RK 104J 1/10 -CP
R2069	06S45674W87	RES,RK 183J 1/10 -CP
R2070	06S45674W87	RES,RK 183J 1/10 -CP
R2071	06S45674W75	RES,RK 562J 1/10 -CP
R2072	06S45674W75	RES,RK 562J 1/10 -CP
R2073	06S55366Y05	RES,RK 433J 1/10 -CP
R2074	06S55366Y05	RES,RK 433J 1/10 -CP
R2075	06S70072F37	RES,CP .221-J-1/4-CP
R2076	06S70072F37	RES,CP .221-J-1/4-CP
R2077	06S70072F29	RES,CP .101-J-1/4-CP
R2078	06S70072F29	RES,CP .101-J-1/4-CP
R2079	06S45674W75	RES,RK 562J 1/10 -CP
R2080	06S45674W75	RES,RK 562J 1/10 -CP
R2081	06S55366Y05	RES,RK 433J 1/10 -CP
R2082	06S55366Y05	RES,RK 433J 1/10 -CP
R2083	06S70072F37	RES,CP .221-J-1/4-CP
R2084	06S70072F37	RES,CP .221-J-1/4-CP
R2085	06S70072F29	RES,CP .101-J-1/4-CP
R2086	06S70072F29	RES,CP .101-J-1/4-CP
R2087	06S45674W75	RES,RK 562J 1/10 -CP
R2088	06S45674W75	RES,RK 562J 1/10 -CP
R2089	06S55366Y05	RES,RK 433J 1/10 -CP
R2090	06S55366Y05	RES,RK 433J 1/10 -CP
R2091	06S70072F37	RES,CP .221-J-1/4-CP
R2092	06S70072F37	RES,CP .221-J-1/4-CP
R2093	06S70072F29	RES,CP .101-J-1/4-CP
R2094	06S70072F29	RES,CP .101-J-1/4-CP
R2096	06S45674W81	RES,RK 103J 1/10 -CP
R2105	06S15593Y81	RES,RK 223F 1/10 -CP
R2106	06S15593Y81	RES,RK 223F 1/10 -CP
R2107	06S15593Y81	RES,RK 223F 1/10 -CP
R2108	06S15593Y81	RES,RK 223F 1/10 -CP
R2109	06S15593Y81	RES,RK 223F 1/10 -CP
R2110	06S15593Y81	RES,RK 223F 1/10 -CP
R2111	06S15593Y81	RES,RK 223F 1/10 -CP
R2112	06S15593Y81	RES,RK 223F 1/10 -CP
R2113	06S15593Y81	RES,RK 223F 1/10 -CP
R2114	06S15593Y81	RES,RK 223F 1/10 -CP
R2115	06S15593Y81	RES,RK 223F 1/10 -CP
R2116	06S15593Y81	RES,RK 223F 1/10 -CP
R2117	06S15593Y81	RES,RK 223F 1/10 -CP
R2118	06S15593Y81	RES,RK 223F 1/10 -CP
R2119	06S15593Y81	RES,RK 223F 1/10 -CP
R2120	06S15593Y81	RES,RK 223F 1/10 -CP
R2129	06S45674W33	RES,RK 101J 1/10 -CP
R2130	06S45674W33	RES,RK 101J 1/10 -CP
R2131	06S45674W33	RES,RK 101J 1/10 -CP

R2132	06S45674W33	RES,RK 101J 1/10 -CP
R2133	06S15593Y81	RES,RK 223F 1/10 -CP
R2135	06S15593Y81	RES,RK 223F 1/10 -CP
R2137	06S15593Y81	RES,RK 223F 1/10 -CP
R2139	06S15593Y81	RES,RK 223F 1/10 -CP
R2140	06S45674W54	RES,RK 751J 1/10 -CP
R2141	06S45674W54	RES,RK 751J 1/10 -CP
R2143	06S15593Y81	RES,RK 223F 1/10 -CP
R2144	06S15593Y81	RES,RK 223F 1/10 -CP
R2145	06S15593Y81	RES,RK 223F 1/10 -CP
R2146	06S15593Y81	RES,RK 223F 1/10 -CP
R2147	06S15593Y81	RES,RK 223F 1/10 -CP
R2148	06S15593Y81	RES,RK 223F 1/10 -CP
R2149	06S15593Y81	RES,RK 223F 1/10 -CP
R2150	06S15593Y81	RES,RK 223F 1/10 -CP
R2151	06S15593Y81	RES,RK 223F 1/10 -CP
R2152	06S15593Y81	RES,RK 223F 1/10 -CP
R2153	06S15593Y81	RES,RK 223F 1/10 -CP
R2154	06S15593Y81	RES,RK 223F 1/10 -CP
R2155	06S15593Y81	RES,RK 223F 1/10 -CP
R2156	06S15593Y81	RES,RK 223F 1/10 -CP
R2157	06S15593Y81	RES,RK 223F 1/10 -CP
R2158	06S15593Y81	RES,RK 223F 1/10 -CP
R2159	06S15593Y81	RES,RK 223F 1/10 -CP
R2160	06S15593Y81	RES,RK 223F 1/10 -CP
R2161	06S15593Y81	RES,RK 223F 1/10 -CP
R2162	06S15593Y81	RES,RK 223F 1/10 -CP
R2163	06S15593Y81	RES,RK 223F 1/10 -CP
R2164	06S15593Y81	RES,RK 223F 1/10 -CP
R2165	06S15593Y81	RES,RK 223F 1/10 -CP
R2166	06S15593Y81	RES,RK 223F 1/10 -CP
R2167	06S45674W33	RES,RK 101J 1/10 -CP
R2168	06S45674W49	RES,RK 471J 1/10 -CP
R2169	06S45674W33	RES,RK 101J 1/10 -CP
R2170	06S45674W33	RES,RK 101J 1/10 -CP
R2171	06S45674W33	RES,RK 101J 1/10 -CP
R2172	06S45674W57	RES,RK 102J 1/10 -CP
R2173	06S15593Y81	RES,RK 223F 1/10 -CP
R2174	06S15593Y81	RES,RK 223F 1/10 -CP
R2175	06S15593Y81	RES,RK 223F 1/10 -CP
R2176	06S15593Y81	RES,RK 223F 1/10 -CP
R2177	06S15593Y81	RES,RK 223F 1/10 -CP
R2178	06S15593Y81	RES,RK 223F 1/10 -CP
R2179	06S15593Y81	RES,RK 223F 1/10 -CP
R2180	06S15593Y81	RES,RK 223F 1/10 -CP
R2181	06S55366Y05	RES,RK 433J 1/10 -CP
R2182	06S55366Y05	RES,RK 433J 1/10 -CP
R2183	06S45674W45	RES,RK 331J 1/10 -CP
R2184	06S45674W45	RES,RK 331J 1/10 -CP
R2185	06S70072F29	RES,CP .101-J-1/4-CP
R2186	06S70072F29	RES,CP .101-J-1/4-CP
R2187	06S55366Y05	RES,RK 433J 1/10 -CP
R2188	06S55366Y05	RES,RK 433J 1/10 -CP
R2189	06S45674W41	RES,RK 221J 1/10 -CP
R2190	06S45674W41	RES,RK 221J 1/10 -CP
R2191	06S70072F29	RES,CP .101-J-1/4-CP
R2192	06S70072F29	RES,CP .101-J-1/4-CP

R2193	06S45674W33	RES,RK 101J 1/10 -CP
R2194	06S45674W57	RES,RK 102J 1/10 -CP
R2195	06S45674W33	RES,RK 101J 1/10 -CP
R2196	06S45674W49	RES,RK 471J 1/10 -CP
R2197	06S70072F18	RES,CP .36R-J-1/4-CP
R2198	06S70072F18	RES,CP .36R-J-1/4-CP
R2199	06S70072F19	RES,CP .39R-J-1/4-CP
R2200	06S70072F19	RES,CP .39R-J-1/4-CP
R2201	06S70072F18	RES,CP .36R-J-1/4-CP
R2202	06S70072F18	RES,CP .36R-J-1/4-CP
R2203	06S70072F19	RES,CP .39R-J-1/4-CP
R2204	06S70072F19	RES,CP .39R-J-1/4-CP
R2205	06S45674W49	RES,RK 471J 1/10 -CP
R2206	06S45674W49	RES,RK 471J 1/10 -CP
R2207	06S64996F39	RES,RK JUMPER 1/8-CP
R2208	06S45674W33	RES,RK 101J 1/10 -CP
R2209	06S45674W49	RES,RK 471J 1/10 -CP
R2211	06S45675W30	RES,RK 105J 1/10 -CP
R2213	06S45674W49	RES,RK 471J 1/10 -CP
R2214	06S45674W49	RES,RK 471J 1/10 -CP
R2241	06S45674W87	RES,RK 183J 1/10 -CP
R2242	06S45674W87	RES,RK 183J 1/10 -CP
R2243	06S45674W87	RES,RK 183J 1/10 -CP
R2244	06S45674W87	RES,RK 183J 1/10 -CP
R2245	06S64996F39	RES,RK JUMPER 1/8-CP
R2246	06S64996F39	RES,RK JUMPER 1/8-CP
R2247	06S64996F39	RES,RK JUMPER 1/8-CP
R2248	06S64996F39	RES,RK JUMPER 1/8-CP
R2251	06S45674W77	RES,RK 682J 1/10 -CP
R2252	06S45674W77	RES,RK 682J 1/10 -CP
R2253	06S45674W77	RES,RK 682J 1/10 -CP
R2254	06S45674W77	RES,RK 682J 1/10 -CP
R2255	06S45674W77	RES,RK 682J 1/10 -CP
R2256	06S45674W77	RES,RK 682J 1/10 -CP
R2261	06S45674W83	RES,RK 123J 1/10 -CP
R2262	06S45674W83	RES,RK 123J 1/10 -CP
R2263	06S45674W91	RES,RK 273J 1/10 -CP
R2264	06S45674W91	RES,RK 273J 1/10 -CP
R2265	06S45674W87	RES,RK 183J 1/10 -CP
R2266	06S45674W87	RES,RK 183J 1/10 -CP
R2267	06S45674W79	RES,RK 822J 1/10 -CP
R2268	06S45674W79	RES,RK 822J 1/10 -CP
R2269	06S45674W81	RES,RK 103J 1/10 -CP
R2270	06S45674W81	RES,RK 103J 1/10 -CP
R2271	06S45675W43	RES,RK JUMPER1/10-CP
R2272	06S45675W43	RES,RK JUMPER1/10-CP
R2273	06S45674W91	RES,RK 273J 1/10 -CP
R2274	06S45674W91	RES,RK 273J 1/10 -CP
R2275	06S45674W87	RES,RK 183J 1/10 -CP
R2276	06S45674W87	RES,RK 183J 1/10 -CP
R2277	06S45674W79	RES,RK 822J 1/10 -CP
R2278	06S45674W79	RES,RK 822J 1/10 -CP
R2279	06S45674W81	RES,RK 103J 1/10 -CP
R2280	06S45674W81	RES,RK 103J 1/10 -CP
R2281	06S45675W30	RES,RK 105J 1/10 -CP
R2282	06S45674W34	RES,RK 111J 1/10 -CP
R2283	06S45674W34	RES,RK 111J 1/10 -CP

R2291	06S45674W77	RES,RK 682J 1/10 -CP
R2302	06S45674W57	RES,RK 102J 1/10 -CP
R2306	06S45674W81	RES,RK 103J 1/10 -CP
R2307	06S45674W69	RES,RK 332J 1/10 -CP
R2308	06S45674W81	RES,RK 103J 1/10 -CP
R2310	06S45674W57	RES,RK 102J 1/10 -CP
R2502	06S45674W33	RES,RK 101J 1/10 -CP
R2503	06S45674W33	RES,RK 101J 1/10 -CP
R2504	06S45674W57	RES,RK 102J 1/10 -CP
R2505	06S45674W57	RES,RK 102J 1/10 -CP
R2506	06S45674W33	RES,RK 101J 1/10 -CP
R2507	06S45674W89	RES,RK 223J 1/10 -CP
R2509	06S45674W57	RES,RK 102J 1/10 -CP
R2510	06S45674W57	RES,RK 102J 1/10 -CP
R2511	06S45674W33	RES,RK 101J 1/10 -CP
R2512	06S45674W57	RES,RK 102J 1/10 -CP
R2514	06S45674W33	RES,RK 101J 1/10 -CP
R2515	06S45674W33	RES,RK 101J 1/10 -CP
R2516	06S45674W33	RES,RK 101J 1/10 -CP
R2517	06S45674W57	RES,RK 102J 1/10 -CP
R2518	06S45674W57	RES,RK 102J 1/10 -CP
R2521	06S70072F45	RES,CP .471-J-1/4-CP
R2524	06S45674W33	RES,RK 101J 1/10 -CP
R2526	06S45674W77	RES,RK 682J 1/10 -CP
R2527	06S45674W77	RES,RK 682J 1/10 -CP
R2528	06S45674W89	RES,RK 223J 1/10 -CP
R2529	06S45674W71	RES,RK 392J 1/10 -CP
R2530	06S45674W71	RES,RK 392J 1/10 -CP
R2531	06S45674W49	RES,RK 471J 1/10 -CP
R2532	06S45674W97	RES,RK 473J 1/10 -CP
R2533	06S45674W97	RES,RK 473J 1/10 -CP
R2535	06S45674W97	RES,RK 473J 1/10 -CP
R2536	06S45674W97	RES,RK 473J 1/10 -CP
R2537	06S45674W49	RES,RK 471J 1/10 -CP
R2543	06S45674W97	RES,RK 473J 1/10 -CP
R2544	06S45674W97	RES,RK 473J 1/10 -CP
R2545	06S45674W97	RES,RK 473J 1/10 -CP
R2546	06S45674W97	RES,RK 473J 1/10 -CP
R2575	06S45674W33	RES,RK 101J 1/10 -CP
R2801	06S45675W43	RES,RK JUMPER1/10-CP
R2802	06S70072F39	RES,CP .271-J-1/4-CP
R2803	06S70072F39	RES,CP .271-J-1/4-CP
R2808	06S45348Y31	RES,RK 224F 1/4 -CP
R2809	06S70072F77	RES,CP .103-J-1/4-CP
R2810	06S45674W89	RES,RK 223J 1/10 -CP
R2811	06S45674W89	RES,RK 223J 1/10 -CP
R2812	06S45675W10	RES,RK 154J 1/10 -CP
R2813	06S45675W20	RES,RK 394J 1/10 -CP
R2814	06S35084Y44	RES,RK 393F 1/8 -CP
R2815	06S45674W97	RES,RK 473J 1/10 -CP
R2816	06S45674W89	RES,RK 223J 1/10 -CP
R2817	06S45675W14	RES,RK 224J 1/10 -CP
R2818	06S45674W97	RES,RK 473J 1/10 -CP
R2820	06S70072F77	RES,CP .103-J-1/4-CP
R2821	06S70072F77	RES,CP .103-J-1/4-CP
R2822	06S70072F77	RES,CP .103-J-1/4-CP
R2823	06S45674W97	RES,RK 473J 1/10 -CP

R2824	06S45674W81	RES,RK 103J 1/10 -CP
R2826	06S70072F69	RES,CP .472-J-1/4-CP
R2827	06S70072F69	RES,CP .472-J-1/4-CP
R2828	06S45674W81	RES,RK 103J 1/10 -CP
R2829	06S45674W97	RES,RK 473J 1/10 -CP
R2830	06S70072F77	RES,CP .103-J-1/4-CP
R2832	06S95434W98	RES,RK JUMPER 1/4-CP
R2833	06S95434W98	RES,RK JUMPER 1/4-CP
R2835	06S95434W98	RES,RK JUMPER 1/4-CP
R2836	06S45674W81	RES,RK 103J 1/10 -CP
R2837	06S45674W81	RES,RK 103J 1/10 -CP
R2839	06S45674W97	RES,RK 473J 1/10 -CP
R2840	06S70072F53	RES,CP .102-J-1/4-CP
R2841	06S45674W49	RES,RK 471J 1/10 -CP
R2842	06S45674W49	RES,RK 471J 1/10 -CP
R2851	06S45674W97	RES,RK 473J 1/10 -CP
R2853	06S45675W30	RES,RK 105J 1/10 -CP
R2854	06S45675W30	RES,RK 105J 1/10 -CP
R2858	06S45675W30	RES,RK 105J 1/10 -CP
R2862	06S45675W43	RES,RK JUMPER1/10-CP
R2871	06S95434W98	RES,RK JUMPER 1/4-CP
R2872	06S70072F59	RES,CP .182-J-1/4-CP
R2873	06S70072F59	RES,CP .182-J-1/4-CP
R2874	06S70072F59	RES,CP .182-J-1/4-CP
R2875	06S70072F59	RES,CP .182-J-1/4-CP
R2876	06S45674W91	RES,RK 273J 1/10 -CP
R2877	06S45674W91	RES,RK 273J 1/10 -CP
R2878	06S45674W81	RES,RK 103J 1/10 -CP
R2879	06S45674W73	RES,RK 472J 1/10 -CP
R2880	06S45674W73	RES,RK 472J 1/10 -CP
R2881	06S70072F04	RES,CP .8R2-J-1/4-CP
R2883	06S70072F77	RES,CP .103-J-1/4-CP
R2884	06S70072F04	RES,CP .8R2-J-1/4-CP
R2885	06S70072F04	RES,CP .8R2-J-1/4-CP
R2886	06S70072F04	RES,CP .8R2-J-1/4-CP
R2890	06S45675W43	RES,RK JUMPER1/10-CP
R3001	06S70072F53	RES,CP .102-J-1/4-CP
R3002	06S70072F53	RES,CP .102-J-1/4-CP
R3003	06S70072F53	RES,CP .102-J-1/4-CP
R3004	06S45675W06	RES,RK 104J 1/10 -CP
R3006	06S45674W89	RES,RK 223J 1/10 -CP
R3501	06S45674W97	RES,RK 473J 1/10 -CP
R3502	06S45674W57	RES,RK 102J 1/10 -CP
R3503	06S70072F25	RES,CP .68R-J-1/4-CP
R3504	06S70072F25	RES,CP .68R-J-1/4-CP
R3505	06S70072F29	RES,CP .101-J-1/4-CP
R3506	06S70072F29	RES,CP .101-J-1/4-CP
R3507	06S70072F29	RES,CP .101-J-1/4-CP
R3508	06S70072F29	RES,CP .101-J-1/4-CP
R3509	06S70072F29	RES,CP .101-J-1/4-CP
R3601	06S45674W89	RES,RK 223J 1/10 -CP
R3602	06S45674W33	RES,RK 101J 1/10 -CP
R3603	06S45674W89	RES,RK 223J 1/10 -CP
R3604	06S45674W33	RES,RK 101J 1/10 -CP
R3605	06S45674W89	RES,RK 223J 1/10 -CP
R3606	06S70072F53	RES,CP .102-J-1/4-CP
R3607	06S70072F53	RES,CP .102-J-1/4-CP

R3608	06S70072F53	RES,CP .102-J-1/4-CP
R3609	06S70072F53	RES,CP .102-J-1/4-CP
R3610	06S70072F53	RES,CP .102-J-1/4-CP
R3611	06S70072F53	RES,CP .102-J-1/4-CP
R3613	06S45674W33	RES,RK 101J 1/10 -CP
R3614	06S45674W89	RES,RK 223J 1/10 -CP
R3615	06S45674W33	RES,RK 101J 1/10 -CP
R4000	06S70072F18	RES,CP .36R-J-1/4-CP
R4001	06S70072F18	RES,CP .36R-J-1/4-CP
R4002	06S15593Y75	RES,RK 123F 1/10 -CP
R4003	06S15593Y73	RES,RK 103F 1/10 -CP
R4004	06S15593Y83	RES,RK 273F 1/10 -CP
R4005	06S15593Y41	RES,RK 471F 1/10 -CP
R4006	06S15593Y47	RES,RK 821F 1/10 -CP
R4007	06S15594Y04	RES,RK 184F 1/10 -CP
R4008	06S15593Y42	RES,RK 511F 1/10 -CP
R4009	06S15593Y49	RES,RK 102F 1/10 -CP
R4010	06S15593Y25	RES,RK 101F 1/10 -CP
R4011	06S15593Y53	RES,RK 152F 1/10 -CP
R4012	06S70072F18	RES,CP .36R-J-1/4-CP
R4013	06S70072F19	RES,CP .39R-J-1/4-CP
R4014	06S15593Y75	RES,RK 123F 1/10 -CP
R4015	06S15593Y73	RES,RK 103F 1/10 -CP
R4016	06S15593Y83	RES,RK 273F 1/10 -CP
R4017	06S15593Y41	RES,RK 471F 1/10 -CP
R4018	06S15593Y47	RES,RK 821F 1/10 -CP
R4019	06S15594Y04	RES,RK 184F 1/10 -CP
R4020	06S15593Y42	RES,RK 511F 1/10 -CP
R4021	06S15593Y49	RES,RK 102F 1/10 -CP
R4022	06S15593Y25	RES,RK 101F 1/10 -CP
R4023	06S15593Y53	RES,RK 152F 1/10 -CP
R4101	06S15593Y81	RES,RK 223F 1/10 -CP
R4102	06S15593Y87	RES,RK 393F 1/10 -CP
R4103	06S15593Y53	RES,RK 152F 1/10 -CP
R4104	06S15593Y55	RES,RK 182F 1/10 -CP
R4105	06S15593Y51	RES,RK 122F 1/10 -CP
R4106	06S15593Y45	RES,RK 681F 1/10 -CP
R4107	06S15593Y25	RES,RK 101F 1/10 -CP
R4108	06S15593Y49	RES,RK 102F 1/10 -CP
R4109	06S70072F18	RES,CP .36R-J-1/4-CP
R4110	06S70072F19	RES,CP .39R-J-1/4-CP
R4111	06S15593Y77	RES,RK 153F 1/10 -CP
R4112	06S15593Y73	RES,RK 103F 1/10 -CP
R4113	06S15593Y83	RES,RK 273F 1/10 -CP
R4114	06S15593Y42	RES,RK 511F 1/10 -CP
R4115	06S15593Y47	RES,RK 821F 1/10 -CP
R4116	06S15594Y04	RES,RK 184F 1/10 -CP
R4117	06S15593Y41	RES,RK 471F 1/10 -CP
R4118	06S15593Y51	RES,RK 122F 1/10 -CP
R4119	06S15593Y25	RES,RK 101F 1/10 -CP
R4120	06S15593Y53	RES,RK 152F 1/10 -CP
R4121	06S70072F18	RES,CP .36R-J-1/4-CP
R4122	06S70072F19	RES,CP .39R-J-1/4-CP
R4123	06S15593Y77	RES,RK 153F 1/10 -CP
R4124	06S15593Y73	RES,RK 103F 1/10 -CP
R4125	06S15593Y83	RES,RK 273F 1/10 -CP
R4126	06S15593Y42	RES,RK 511F 1/10 -CP

R4127	06S15593Y47	RES,RK 821F 1/10 -CP
R4128	06S15594Y04	RES,RK 184F 1/10 -CP
R4129	06S15593Y41	RES,RK 471F 1/10 -CP
R4130	06S15593Y51	RES,RK 122F 1/10 -CP
R4131	06S15593Y25	RES,RK 101F 1/10 -CP
R4132	06S15593Y53	RES,RK 152F 1/10 -CP
R4133	06S70072F18	RES,CP .36R-J-1/4-CP
R4134	06S70072F19	RES,CP .39R-J-1/4-CP
R4135	06S15593Y77	RES,RK 153F 1/10 -CP
R4136	06S15593Y73	RES,RK 103F 1/10 -CP
R4137	06S15593Y83	RES,RK 273F 1/10 -CP
R4138	06S15593Y42	RES,RK 511F 1/10 -CP
R4139	06S15593Y47	RES,RK 821F 1/10 -CP
R4140	06S15594Y04	RES,RK 184F 1/10 -CP
R4141	06S15593Y41	RES,RK 471F 1/10 -CP
R4142	06S15593Y51	RES,RK 122F 1/10 -CP
R4143	06S15593Y25	RES,RK 101F 1/10 -CP
R4144	06S15593Y53	RES,RK 152F 1/10 -CP
R4145	06S70072F18	RES,CP .36R-J-1/4-CP
R4146	06S70072F19	RES,CP .39R-J-1/4-CP
R4147	06S15593Y75	RES,RK 123F 1/10 -CP
R4148	06S15593Y73	RES,RK 103F 1/10 -CP
R4149	06S15593Y83	RES,RK 273F 1/10 -CP
R4150	06S15593Y41	RES,RK 471F 1/10 -CP
R4151	06S15593Y47	RES,RK 821F 1/10 -CP
R4152	06S15594Y04	RES,RK 184F 1/10 -CP
R4153	06S15593Y42	RES,RK 511F 1/10 -CP
R4154	06S15593Y49	RES,RK 102F 1/10 -CP
R4155	06S15593Y25	RES,RK 101F 1/10 -CP
R4156	06S15593Y53	RES,RK 152F 1/10 -CP
R4200	06S45674W85	RES,RK 153J 1/10 -CP
R4201	06S45674W98	RES,RK 513J 1/10 -CP
R4204	06S45674W81	RES,RK 103J 1/10 -CP
R4205	06S45675W30	RES,RK 105J 1/10 -CP
R4206	06S45675W06	RES,RK 104J 1/10 -CP
R4207	06S45675W04	RES,RK 823J 1/10 -CP
R4208	06S45674W93	RES,RK 333J 1/10 -CP
R4209	06S45675W18	RES,RK 334J 1/10 -CP
R4210	06S45674W57	RES,RK 102J 1/10 -CP
R4211	06S45674W69	RES,RK 332J 1/10 -CP
R4216	06S45674W63	RES,RK 182J 1/10 -CP
R4218	06S45674W33	RES,RK 101J 1/10 -CP
R4219	06S45674W33	RES,RK 101J 1/10 -CP
R4220	06S45674W33	RES,RK 101J 1/10 -CP
R4221	06S45674W74	RES,RK 512J 1/10 -CP
R4222	06S45675W43	RES,RK JUMPER1/10-CP
R4223	06S45675W43	RES,RK JUMPER1/10-CP
R4224	06S45674W69	RES,RK 332J 1/10 -CP
R4225	06S15593Y50	RES,RK 112F 1/10 -CP
R4251	06S45674W41	RES,RK 221J 1/10 -CP
R4252	06S45674W49	RES,RK 471J 1/10 -CP
R4501	06S15593Y60	RES,RK 302F 1/10 -CP
R4502	06S15593Y55	RES,RK 182F 1/10 -CP
R4503	06S15593Y39	RES,RK 391F 1/10 -CP
R4504	06S45674W57	RES,RK 102J 1/10 -CP
R4505	06S45675W29	RES,RK 914J 1/10 -CP
R4506	06S45674W46	RES,RK 361J 1/10 -CP

R4700	06S45674W81	RES,RK 103J 1/10 -CP
R4701	06S45674W33	RES,RK 101J 1/10 -CP
R4702	06S45675W06	RES,RK 104J 1/10 -CP
R4703	06S45675W06	RES,RK 104J 1/10 -CP
R4704	06S45674W57	RES,RK 102J 1/10 -CP
R4705	06S45674W65	RES,RK 222J 1/10 -CP
R4706	06S45674W65	RES,RK 222J 1/10 -CP
R4707	06S45674W49	RES,RK 471J 1/10 -CP
R4708	06S45674W49	RES,RK 471J 1/10 -CP
R4709	06S45674W33	RES,RK 101J 1/10 -CP
R4710	06S45674W69	RES,RK 332J 1/10 -CP
R4711	06S45674W69	RES,RK 332J 1/10 -CP
R4712	06S45674W29	RES,RK 68RJ 1/10 -CP
R4713	06S45674W29	RES,RK 68RJ 1/10 -CP
R4714	06S45674W29	RES,RK 68RJ 1/10 -CP
R4715	06S45674W81	RES,RK 103J 1/10 -CP
R4716	06S45674W53	RES,RK 681J 1/10 -CP
R4900	06S70072F43	RES,CP .391-J-1/4-CP
R4902	06S45674W33	RES,RK 101J 1/10 -CP
R4903	06S70072F25	RES,CP .68R-J-1/4-CP
R4904	06S45675W30	RES,RK 105J 1/10 -CP
R4905	06S45675W30	RES,RK 105J 1/10 -CP
R4907	06S45675W30	RES,RK 105J 1/10 -CP
R4908	06S45675W30	RES,RK 105J 1/10 -CP
R4909	06S45675W30	RES,RK 105J 1/10 -CP
R4911	06S45674W33	RES,RK 101J 1/10 -CP
R4912	06S70072F43	RES,CP .391-J-1/4-CP
R4913	06S70072F25	RES,CP .68R-J-1/4-CP
R4914	06S45675W30	RES,RK 105J 1/10 -CP
R4915	06S45674W83	RES,RK 123J 1/10 -CP
R4916	06S45674W83	RES,RK 123J 1/10 -CP
R4917	06S45674W57	RES,RK 102J 1/10 -CP
R4918	06S45674W49	RES,RK 471J 1/10 -CP
R4919	06S45674W57	RES,RK 102J 1/10 -CP
RA2501	06S45591W06	RES,ARY MNR102J 4-CP
RA2502	06S45591W06	RES,ARY MNR102J 4-CP
RA2503	06S45591W14	RES,ARY MNR471J 4-CP
RA2509	06S45591W06	RES,ARY MNR102J 4-CP
RA2511	06S45591W06	RES,ARY MNR102J 4-CP
RA2512	06S45591W06	RES,ARY MNR102J 4-CP
RA2513	06S45591W06	RES,ARY MNR102J 4-CP

=====Connectors

CB2501	09T85454W10	WTB,53398-1090 -E9
CH1001	09T55503Y15	PIN,IMSA9230B-1-15DB
CH1002	09T65267Y40	FFC,51374-4090 -ER
CH5001	09T65267Y40	FFC,51374-4090 -ER
CH5003	09T25436Y05	WTB,53253-0510 -DB
CH5005	01T35736Y02	ASSY,WIRE D/D 5-5

*****VISUAL P.W.Board

=====IC's

IC5000	51T15471Y01	IC,D703100GJ-33 -QT
IC5001	51T55601Y02	MTP,MBM29F160TE
IC5002	51T55413Y01	IC,MX23C3210MCXXX-QT
IC5004	51T65812Y01	MSM514260EP-60TSK-ST
IC5005	51T25045Y01	AN77033SP-TX -NE5
IC5007	51T25330Y01	TC7WH123FU-TE12L-SE1

IC5301	51T55070W05	MB88385CPF-ER	-SE9
IC5501	51T15523Y01	TLC2932	-SE5
IC5502	51T15206Y01	TC7WH04FU-TE12L	-SE1
IC5503	51T15017Y01	M24C32WMN6T	-SE2
IC5504	51T95048W01	BA3834F	-SE9
IC5507	51T15507Y01	YGV613-S	-QT
IC5508	51T65839Y01	MSM5118160F-50TS	-ST
IC5509	51T65839Y01	MSM5118160F-50TS	-ST
IC5510	51T15431Y01	TC7WT126FU-L	-SE1
IC5801	51T25045Y03	AN7705SP-TX	-NE5
IC5802	51T25045Y03	AN7705SP-TX	-NE5
IC5805	51T65166Y01	MAX829EUK	-CP
IC5811	51T25045Y04	AN7709SP-TX	-NE5
=====Transistors			
Q5301	48T62966F02	TR,DTA114EKA-T146-CP	
Q5501	48T25137Y02	TR,UN9212J-TX	-CP
Q5801	48T62966F01	TR,DTA143EKA-T146-CP	
Q5802	48T94606F03	TR,DTC124EUA-T106-CP	
Q5808	48T25693Y01	TR,2SD1742-TX	-E9
Q5809	48T25736Y02	TR,UMC3N-TR	-CP
=====Diodes			
D5001	48T25665Y01	DIO,1SS355-TE17	-CP
D5002	48T25665Y01	DIO,1SS355-TE17	-CP
D5301	48T25665Y01	DIO,1SS355-TE17	-CP
D5801	48T25651W02	DIO,MA152WK-TX	-CP
D5806	48T95294W01	DIO,SHT MA740-TX	-CP
ZD5301	48T15541Y52	DIO,ZEN MAZS0560M-CP	
ZD5302	48T35392Y06	DIO,ZEN RLZ7.5A	-CP
ZD5303	48T35392Y06	DIO,ZEN RLZ7.5A	-CP
ZD5801	48T25766W20	DIO,ZEN.HZS 9A2L	-R5
=====Coils			
L5001	24T95456W12	FBI,BLM18AG102SH1-CP	
L5002	24T95456W07	FBI,BLM18BD102SH1-CP	
L5003	24T95456W07	FBI,BLM18BD102SH1-CP	
L5004	24T95456W07	FBI,BLM18BD102SH1-CP	
L5005	24T95456W07	FBI,BLM18BD102SH1-CP	
L5006	24T95456W07	FBI,BLM18BD102SH1-CP	
L5007	24T95456W12	FBI,BLM18AG102SH1-CP	
L5008	24T95456W01	FBI,BLM18PG300SH1-CP	
L5009	24T95456W12	FBI,BLM18AG102SH1-CP	
L5010	24T95456W01	FBI,BLM18PG300SH1-CP	
L5011	24T95456W01	FBI,BLM18PG300SH1-CP	
L5013	24T95457W08	FBI,BLM21BD102SH1-CP	
L5014	24T95457W02	FBI,BLM21BB050SH1-CP	
L5015	24T95457W02	FBI,BLM21BB050SH1-CP	
L5016	24T95457W02	FBI,BLM21BB050SH1-CP	
L5017	24T95457W02	FBI,BLM21BB050SH1-CP	
L5018	24T95456W01	FBI,BLM18PG300SH1-CP	
L5019	24T95456W01	FBI,BLM18PG300SH1-CP	
L5020	24T95457W02	FBI,BLM21BB050SH1-CP	
L5021	24T95457W02	FBI,BLM21BB050SH1-CP	
L5022	24T95456W12	FBI,BLM18AG102SH1-CP	
L5023	24T95456W12	FBI,BLM18AG102SH1-CP	
L5024	24T95456W12	FBI,BLM18AG102SH1-CP	
L5501	24T95456W12	FBI,BLM18AG102SH1-CP	
L5503	24T95456W12	FBI,BLM18AG102SH1-CP	
L5504	24T95456W12	FBI,BLM18AG102SH1-CP	

L5506	24T95456W12	FBI,BLM18AG102SH1-CP
L5510	24T95456W07	FBI,BLM18BD102SH1-CP
L5511	24T95456W07	FBI,BLM18BD102SH1-CP
L5512	24T95456W07	FBI,BLM18BD102SH1-CP
L5513	24T95456W07	FBI,BLM18BD102SH1-CP
L5514	24T95456W12	FBI,BLM18AG102SH1-CP
L5515	24T95456W12	FBI,BLM18AG102SH1-CP
L5516	24T95456W12	FBI,BLM18AG102SH1-CP
L5517	24T95456W12	FBI,BLM18AG102SH1-CP
L5801	24T95293W25	IND,RCH-875 102K +
L5802	24T95293W25	IND,RCH-875 102K +
=====Filters		
Z5001	91T45160Y01	EMI,CNH31R473S -CP
Z5002	91T45160Y01	EMI,CNH31R473S -CP
Z5003	91T45160Y01	EMI,CNH31R473S -CP
Z5004	91T45160Y01	EMI,CNH31R473S -CP
Z5501	91T45160Y01	EMI,CNH31R473S -CP
Z5502	91T45160Y01	EMI,CNH31R473S -CP
Z5503	91T45160Y01	EMI,CNH31R473S -CP
Z5504	91T45160Y01	EMI,CNH31R473S -CP
Z5505	91T45160Y01	EMI,CNH31R473S -CP
Z5506	91T45160Y01	EMI,CNH31R473S -CP
=====Crystals		
XL5001	91T45637Y03	XTL,CMR309T 5.85M-E9
XL5301	91T65149Y01	XTL,CMR310T 4.00M-E9
XL5501	91T45637Y20	XTL,CMR309T 16.3M-E9
=====Capacitors		
C5001	08S45676W80	CAP,CER 223K-B1E -CP
C5002	08S45676W80	CAP,CER 223K-B1E -CP
C5003	08S45676W80	CAP,CER 223K-B1E -CP
C5004	08S45676W80	CAP,CER 223K-B1E -CP
C5005	08S45676W80	CAP,CER 223K-B1E -CP
C5007	08S45676W80	CAP,CER 223K-B1E -CP
C5011	08S45676W80	CAP,CER 223K-B1E -CP
C5012	08S45676W80	CAP,CER 223K-B1E -CP
C5013	08S45676W80	CAP,CER 223K-B1E -CP
C5014	08S45676W80	CAP,CER 223K-B1E -CP
C5015	08S45676W80	CAP,CER 223K-B1E -CP
C5016	08S45677W18	CAP,CER.18RJ-CH1H-CP
C5017	08S45677W18	CAP,CER.18RJ-CH1H-CP
C5018	08S45676W80	CAP,CER 223K-B1E -CP
C5019	08S45676W80	CAP,CER 223K-B1E -CP
C5020	08S45676W80	CAP,CER 223K-B1E -CP
C5021	08S45676W86	CAP,CER 273K-B1E -CP
C5023	08S45676W80	CAP,CER 223K-B1E -CP
C5024	08S45676W80	CAP,CER 223K-B1E -CP
C5025	08S45677W60	CAP,CER 102J-CH1H-CP
C5026	08S45677W12	CAP,CER.10RD-CH1H-CP
C5301	08S45676W80	CAP,CER 223K-B1E -CP
C5302	08S45677W18	CAP,CER.18RJ-CH1H-CP
C5303	08S45677W18	CAP,CER.18RJ-CH1H-CP
C5501	08S45676W85	CAP,CER 104K-B1C -CP
C5502	08S45676W80	CAP,CER 223K-B1E -CP
C5503	08S45676W86	CAP,CER 273K-B1E -CP
C5504	08S45676W80	CAP,CER 223K-B1E -CP
C5505	08S45676W80	CAP,CER 223K-B1E -CP
C5506	08S45676W80	CAP,CER 223K-B1E -CP

C5507	08S45676W85	CAP,CER 104K-B1C -CP
C5508	08S45677W38	CAP,CER 121J-CH1H-CP
C5509	08S45676W85	CAP,CER 104K-B1C -CP
C5510	08S45676W85	CAP,CER 104K-B1C -CP
C5511	08S45676W73	CAP,CER.103K-B1H -CP
C5512	08S45677W36	CAP,CER.101J-CH1H-CP
C5513	08S35350Y04	CAP,CER 105K-B1C -CP
C5515	08S45676W85	CAP,CER 104K-B1C -CP
C5517	08S45676W80	CAP,CER 223K-B1E -CP
C5518	08S45676W80	CAP,CER 223K-B1E -CP
C5519	08S45676W80	CAP,CER 223K-B1E -CP
C5520	08S45677W40	CAP,CER.151J-CH1H-CP
C5521	08S45677W36	CAP,CER.101J-CH1H-CP
C5523	08S45676W80	CAP,CER 223K-B1E -CP
C5524	08S45676W80	CAP,CER 223K-B1E -CP
C5525	08S45676W80	CAP,CER 223K-B1E -CP
C5526	08S45676W80	CAP,CER 223K-B1E -CP
C5527	08S45676W80	CAP,CER 223K-B1E -CP
C5528	08S45676W80	CAP,CER 223K-B1E -CP
C5529	08S45676W80	CAP,CER 223K-B1E -CP
C5530	08S45676W80	CAP,CER 223K-B1E -CP
C5531	08S45676W80	CAP,CER 223K-B1E -CP
C5532	08S45676W80	CAP,CER 223K-B1E -CP
C5533	08S45676W80	CAP,CER 223K-B1E -CP
C5534	08S45676W80	CAP,CER 223K-B1E -CP
C5535	08S45676W80	CAP,CER 223K-B1E -CP
C5536	08S45677W18	CAP,CER.18RJ-CH1H-CP
C5537	08S45677W18	CAP,CER.18RJ-CH1H-CP
C5538	08S45676W80	CAP,CER 223K-B1E -CP
C5539	08S35350Y04	CAP,CER 105K-B1C -CP
C5540	08S35350Y04	CAP,CER 105K-B1C -CP
C5541	08S35350Y04	CAP,CER 105K-B1C -CP
C5801	08S45676W80	CAP,CER 223K-B1E -CP
C5802	08S45676W73	CAP,CER.103K-B1H -CP
C5803	08S60102F42	CAP,CER 334K-B1E -CP
C5804	08S60102F42	CAP,CER 334K-B1E -CP
C5808	08S45676W80	CAP,CER 223K-B1E -CP
C5809	08S45676W80	CAP,CER 223K-B1E -CP
C5810	08S60102F42	CAP,CER 334K-B1E -CP
C5811	08S45676W80	CAP,CER 223K-B1E -CP
C5812	08T65231Y01	CAP,CER 226K-BJ1A-CP
C5813	08T65231Y01	CAP,CER 226K-BJ1A-CP
C5814	08T65231Y01	CAP,CER 226K-BJ1A-CP
C5815	08S35350Y04	CAP,CER 105K-B1C -CP
C5816	08S35350Y04	CAP,CER 105K-B1C -CP
C5817	08S45676W73	CAP,CER.103K-B1H -CP
E5001	23S55311W36	CAP,TAN 47R-1C-D -E2
E5002	23S55311W36	CAP,TAN 47R-1C-D -E2
E5003	23S55311W36	CAP,TAN 47R-1C-D -E2
E5004	23S65134W31	CAP,ELY 10R-1C(4)-E2
E5005	23S65134W34	CAP,ELY 47R-1C(6)-E6
E5301	23S65134W32	CAP,ELY 22R-1C(5)-E3
E5501	23S65134W32	CAP,ELY 22R-1C(5)-E3
E5502	23S65134W32	CAP,ELY 22R-1C(5)-E3
E5503	23S65134W32	CAP,ELY 22R-1C(5)-E3
E5504	23S55311W36	CAP,TAN 47R-1C-D -E2
E5505	23S55311W36	CAP,TAN 47R-1C-D -E2

E5509	23S55311W36	CAP,TAN 47R-1C-D -E2
E5510	23S55311W36	CAP,TAN 47R-1C-D -E2
E5801	23T95564W06	CAP,FC 33R-1A-C -E3
E5802	23T95564W04	CAP,FC 101-0J-D -E6
E5803	23T95564W08	CAP,FC 10R-1C-B -E2
E5804	23T95564W04	CAP,FC 101-0J-D -E6
E5805	23T95564W10	CAP,FC 47R-1C-D -E6
E5813	23T95564W09	CAP,FC 22R-1C-C -E3
E5815	23T95564W09	CAP,FC 22R-1C-C -E3
E5817	23T95564W09	CAP,FC 22R-1C-C -E3
E5818	23T95564W08	CAP,FC 10R-1C-B -E2
E5819	23T95564W10	CAP,FC 47R-1C-D -E6

=====Resistors

R5000	06S45674W33	RES,RK 101J 1/10 -CP
R5001	06S45674W81	RES,RK 103J 1/10 -CP
R5002	06S45674W81	RES,RK 103J 1/10 -CP
R5003	06S45674W49	RES,RK 471J 1/10 -CP
R5004	06S45674W33	RES,RK 101J 1/10 -CP
R5005	06S45674W33	RES,RK 101J 1/10 -CP
R5006	06S45674W33	RES,RK 101J 1/10 -CP
R5007	06S45674W81	RES,RK 103J 1/10 -CP
R5008	06S45674W81	RES,RK 103J 1/10 -CP
R5010	06S45674W33	RES,RK 101J 1/10 -CP
R5011	06S45674W33	RES,RK 101J 1/10 -CP
R5012	06S45674W33	RES,RK 101J 1/10 -CP
R5013	06S45674W33	RES,RK 101J 1/10 -CP
R5014	06S15593Y73	RES,RK 103F 1/10 -CP
R5015	06S45675W06	RES,RK 104J 1/10 -CP
R5016	06S45674W81	RES,RK 103J 1/10 -CP
R5018	06S45674W33	RES,RK 101J 1/10 -CP
R5019	06S45674W33	RES,RK 101J 1/10 -CP
R5020	06S45674W81	RES,RK 103J 1/10 -CP
R5021	06S45674W81	RES,RK 103J 1/10 -CP
R5022	06S45674W33	RES,RK 101J 1/10 -CP
R5023	06S45674W33	RES,RK 101J 1/10 -CP
R5024	06S45674W33	RES,RK 101J 1/10 -CP
R5025	06S45674W81	RES,RK 103J 1/10 -CP
R5026	06S45675W06	RES,RK 104J 1/10 -CP
R5028	06S45674W33	RES,RK 101J 1/10 -CP
R5029	06S45674W49	RES,RK 471J 1/10 -CP
R5030	06S45674W33	RES,RK 101J 1/10 -CP
R5031	06S45674W33	RES,RK 101J 1/10 -CP
R5032	06S45675W43	RES,RK JUMPER1/10-CP
R5033	06S45675W43	RES,RK JUMPER1/10-CP
R5034	06S45675W43	RES,RK JUMPER1/10-CP
R5035	06S45675W43	RES,RK JUMPER1/10-CP
R5039	06S45675W43	RES,RK JUMPER1/10-CP
R5040	06S45675W43	RES,RK JUMPER1/10-CP
R5041	06S45675W30	RES,RK 105J 1/10 -CP
R5042	06S45674W81	RES,RK 103J 1/10 -CP
R5043	06S45674W33	RES,RK 101J 1/10 -CP
R5047	06S15593Y87	RES,RK 393F 1/10 -CP
R5055	06S45674W81	RES,RK 103J 1/10 -CP
R5059	06S45674W49	RES,RK 471J 1/10 -CP
R5060	06S45674W49	RES,RK 471J 1/10 -CP
R5061	06S45674W33	RES,RK 101J 1/10 -CP
R5062	06S45674W33	RES,RK 101J 1/10 -CP

R5063	06S45674W81	RES,RK 103J 1/10 -CP
R5070	06S45675W43	RES,RK JUMPER1/10-CP
R5071	06S45675W43	RES,RK JUMPER1/10-CP
R5074	06S45675W43	RES,RK JUMPER1/10-CP
R5075	06S45675W43	RES,RK JUMPER1/10-CP
R5077	06S45675W43	RES,RK JUMPER1/10-CP
R5080	06S45675W43	RES,RK JUMPER1/10-CP
R5081	06S45675W43	RES,RK JUMPER1/10-CP
R5082	06S45675W43	RES,RK JUMPER1/10-CP
R5083	06S45675W43	RES,RK JUMPER1/10-CP
R5084	06S45675W43	RES,RK JUMPER1/10-CP
R5085	06S45675W43	RES,RK JUMPER1/10-CP
R5086	06S45675W43	RES,RK JUMPER1/10-CP
R5087	06S45675W43	RES,RK JUMPER1/10-CP
R5088	06S45675W43	RES,RK JUMPER1/10-CP
R5089	06S45675W43	RES,RK JUMPER1/10-CP
R5090	06S45675W43	RES,RK JUMPER1/10-CP
R5091	06S45675W43	RES,RK JUMPER1/10-CP
R5092	06S45675W43	RES,RK JUMPER1/10-CP
R5301	06S45674W73	RES,RK 472J 1/10 -CP
R5302	06S70072F05	RES,CP .10R-J-1/4-CP
R5303	06S45674W73	RES,RK 472J 1/10 -CP
R5304	06S45674W73	RES,RK 472J 1/10 -CP
R5305	06S45674W73	RES,RK 472J 1/10 -CP
R5306	06S45674W73	RES,RK 472J 1/10 -CP
R5307	06S70072F34	RES,CP .161-J-1/4-CP
R5308	06S45674W65	RES,RK 222J 1/10 -CP
R5309	06S45674W61	RES,RK 152J 1/10 -CP
R5310	06S70072F34	RES,CP .161-J-1/4-CP
R5311	06S70072F34	RES,CP .161-J-1/4-CP
R5312	06S70072F34	RES,CP .161-J-1/4-CP
R5313	06S45674W61	RES,RK 152J 1/10 -CP
R5314	06S45674W65	RES,RK 222J 1/10 -CP
R5315	06S45674W73	RES,RK 472J 1/10 -CP
R5316	06S15593Y89	RES,RK 473F 1/10 -CP
R5501	06S70072F37	RES,CP .221-J-1/4-CP
R5502	06S15593Y57	RES,RK 222F 1/10 -CP
R5503	06S45674W37	RES,RK 151J 1/10 -CP
R5504	06S45675W43	RES,RK JUMPER1/10-CP
R5505	06S15594Y03	RES,RK 164F 1/10 -CP
R5506	06S15594Y08	RES,RK 274F 1/10 -CP
R5507	06S45674W57	RES,RK 102J 1/10 -CP
R5508	06S45674W57	RES,RK 102J 1/10 -CP
R5512	06S15593Y93	RES,RK 683F 1/10 -CP
R5513	06S45674W57	RES,RK 102J 1/10 -CP
R5514	06S15593Y49	RES,RK 102F 1/10 -CP
R5515	06S15593Y53	RES,RK 152F 1/10 -CP
R5516	06S45675W06	RES,RK 104J 1/10 -CP
R5519	06S45675W43	RES,RK JUMPER1/10-CP
R5520	06S45674W33	RES,RK 101J 1/10 -CP
R5521	06S45674W33	RES,RK 101J 1/10 -CP
R5522	06S45674W33	RES,RK 101J 1/10 -CP
R5523	06S45674W33	RES,RK 101J 1/10 -CP
R5524	06S45674W33	RES,RK 101J 1/10 -CP
R5525	06S45674W33	RES,RK 101J 1/10 -CP
R5526	06S15593Y35	RES,RK 271F 1/10 -CP
R5527	06S15593Y35	RES,RK 271F 1/10 -CP

R5528	06S15593Y35	RES,RK 271F 1/10 -CP
R5530	06S45675W43	RES,RK JUMPER1/10-CP
R5532	06S45675W06	RES,RK 104J 1/10 -CP
R5533	06S45675W30	RES,RK 105J 1/10 -CP
R5534	06S45674W57	RES,RK 102J 1/10 -CP
R5535	06S45674W77	RES,RK 682J 1/10 -CP
R5536	06S45674W77	RES,RK 682J 1/10 -CP
R5537	06S45674W81	RES,RK 103J 1/10 -CP
R5538	06S45674W49	RES,RK 471J 1/10 -CP
R5539	06S45674W49	RES,RK 471J 1/10 -CP
R5816	06S70072F47	RES,CP .561-J-1/4-CP
R5817	06S70072F47	RES,CP .561-J-1/4-CP
R5827	06S45675W45	RES,RK 1R0J 1/10 -CP
R5828	06S45675W45	RES,RK 1R0J 1/10 -CP
R5829	06S45675W43	RES,RK JUMPER1/10-CP
R5830	06S45675W43	RES,RK JUMPER1/10-CP
RA5001	06S45591W04	RES,ARY MNR103J 4-CP
RA5002	06S45591W04	RES,ARY MNR103J 4-CP
RA5003	06S45591W04	RES,ARY MNR103J 4-CP
RA5004	06S45591W04	RES,ARY MNR103J 4-CP
RA5005	06S45591W04	RES,ARY MNR103J 4-CP
RA5006	06S45591W04	RES,ARY MNR103J 4-CP
RA5007	06S45591W04	RES,ARY MNR103J 4-CP
RA5008	06S45591W04	RES,ARY MNR103J 4-CP
RA5009	06S45591W04	RES,ARY MNR103J 4-CP
RA5010	06S45591W07	RES,ARY MNR101J 4-CP
RA5011	06S45591W07	RES,ARY MNR101J 4-CP
RA5012	06S45591W07	RES,ARY MNR101J 4-CP
RA5013	06S45591W07	RES,ARY MNR101J 4-CP
RA5014	06S45591W07	RES,ARY MNR101J 4-CP
RA5015	06S45591W07	RES,ARY MNR101J 4-CP
RA5016	06S45591W07	RES,ARY MNR101J 4-CP
RA5017	06S45591W07	RES,ARY MNR101J 4-CP
RA5018	06S45591W07	RES,ARY MNR101J 4-CP
RA5019	06S45591W07	RES,ARY MNR101J 4-CP
RA5020	06S45591W07	RES,ARY MNR101J 4-CP
RA5021	06S45591W17	RES,ARY MNR56RJ 4-CP
RA5022	06S45591W07	RES,ARY MNR101J 4-CP
RA5023	06S45591W07	RES,ARY MNR101J 4-CP
RA5024	06S45591W03	RES,ARY MNR104J 4-CP
RA5025	06S45591W03	RES,ARY MNR104J 4-CP
RA5026	06S45591W07	RES,ARY MNR101J 4-CP
RA5501	06S45591W07	RES,ARY MNR101J 4-CP
RA5502	06S45591W07	RES,ARY MNR101J 4-CP
RA5503	06S45591W07	RES,ARY MNR101J 4-CP
RA5504	06S45591W07	RES,ARY MNR101J 4-CP
RA5505	06S45591W07	RES,ARY MNR101J 4-CP
RA5506	06S45591W07	RES,ARY MNR101J 4-CP
RA5507	06S45591W07	RES,ARY MNR101J 4-CP
RA5508	06S45591W07	RES,ARY MNR101J 4-CP
RA5509	06S45591W07	RES,ARY MNR101J 4-CP
RA5510	06S45591W07	RES,ARY MNR101J 4-CP
RA5511	06S45591W07	RES,ARY MNR101J 4-CP
RA5512	06S45591W07	RES,ARY MNR101J 4-CP

=====Connectors

CB5001	09T45507Y40	FFC,IMSA9631S-40Y-EQ
CB5002	09T85454W07	WTB,53398-0790 -E9

CB5003	09T75307W05	WTB,53261-0590	-E9
CB5004	09T75307W02	WTB,53261-0290	-E6

*****RADIO P.W.Board

=====IC's

IC1001	51T65382Y01	TDA7518	-QT
IC1002	51T93333F01	NJM2904M-TE3	-SE2

=====FET's

Q1003	48T16465W01	FET,CP.3SK195-Y-R	
Q1004	48T15606Y01	FET,FC18-TL	-CP

=====Diodes

D1002	48T65157W01	DIO,VAR KV1410	-XX
D1003	48T65157W01	DIO,VAR KV1410	-XX
D1004	48T65157W01	DIO,VAR KV1410	-XX
D1005	48T68806F01	DIO,1SV172/L	-CP
D1013	48T68806F01	DIO,1SV172/L	-CP

=====Coils

L1006	24T65176W37	IND,NL453232 102J-E2	
L1007	24T25164Y35	IND,FSLM2520 68RJ-CP	
L1010	24T65176W37	IND,NL453232 102J-E2	
L1019	24T25164Y11	IND,FSLM2520 R68J-CP	
L1021	24T25164Y12	IND,FSLM2520 R82J-CP	
L1022	24T25164Y17	IND,FSLM2520 2R2J-CP	
VT1001	24T45428Y04	COIL,ANT1 FM 5KR -DB	
VT1002	24T45429Y04	COIL,RF FM 5KR -DB	
VT1003	24T45427Y03	COIL,OSC F/A 5KR -DB	
VT1004	24T45563Y01	COIL,IFT1 F/A 5PG-DB	
VT1005	24T45563Y02	COIL,IFT2 AM 5PG -DB	

=====Filters

CF1001	91T35405W02	CERFIL,SFELA10M7 -DB	
CF1002	91T45526Y01	CERFIL,SFELA10M7 -DB	
CF1003	91T45526Y01	CERFIL,SFELA10M7 -DB	
CF1004	91T15651Y02	CERFIL,CFWLA450K -DB	
L1005	91T15509Y08	EMI,BK1608HM102 -CP	
L1017	91T15509Y08	EMI,BK1608HM102 -CP	
L1018	91T15509Y08	EMI,BK1608HM102 -CP	
Z1001	91T15509Y08	EMI,BK1608HM102 -CP	
Z1002	91T15509Y08	EMI,BK1608HM102 -CP	
Z1013	91T15509Y08	EMI,BK1608HM102 -CP	
Z1014	91T15509Y08	EMI,BK1608HM102 -CP	

=====Crystal

XL1001	91T45637Y10	XTL,CMR309T 10.2M-E9	
--------	-------------	----------------------	--

=====Capacitors

C1001	08S65128F78	CAP,CER.223K-B1H -CP	
C1002	08S82122F25	CAP,CER.33RJ-CH1H-CP	
C1003	08S45677W60	CAP,CER 102J-CH1H-CP	
C1004	08S45677W24	CAP,CER 33RJ-CH1H-CP	
C1005	08S45677W24	CAP,CER 33RJ-CH1H-CP	
C1006	08S45677W04	CAP,CER.2R0C-CH1H-CP	
C1007	08S45677W07	CAP,CER.5R0C-CH1H-CP	
C1009	08S45677W12	CAP,CER.10RD-CH1H-CP	
C1010	08S45676W73	CAP,CER.103K-B1H -CP	
C1011	08S45676W85	CAP,CER 104K-B1C -CP	
C1012	08S45676W69	CAP,CER.472K-B1H -CP	
C1013	08S45676W73	CAP,CER.103K-B1H -CP	
C1014	08S45677W60	CAP,CER 102J-CH1H-CP	
C1015	08S45677W32	CAP,CER.68RJ-CH1H-CP	

C1016	08S45677W36	CAP,CER.101J-CH1H-CP
C1017	08S45676W73	CAP,CER.103K-B1H -CP
C1018	08S45676W85	CAP,CER 104K-B1C -CP
C1019	08S45676W85	CAP,CER 104K-B1C -CP
C1020	08S45676W85	CAP,CER 104K-B1C -CP
C1021	08S45676W80	CAP,CER 223K-B1E -CP
C1022	08S45676W68	CAP,CER.392K-B1H -CP
C1023	08S45677W38	CAP,CER 121J-CH1H-CP
C1024	08S45676W73	CAP,CER.103K-B1H -CP
C1025	08S45676W73	CAP,CER.103K-B1H -CP
C1026	08S35350Y04	CAP,CER 105K-B1C -CP
C1027	08S45676W85	CAP,CER 104K-B1C -CP
C1028	08S45676W85	CAP,CER 104K-B1C -CP
C1029	08S35350Y04	CAP,CER 105K-B1C -CP
C1030	08S35350Y04	CAP,CER 105K-B1C -CP
C1031	08S45676W80	CAP,CER 223K-B1E -CP
C1032	08S45677W32	CAP,CER.68RJ-CH1H-CP
C1033	08S45676W73	CAP,CER.103K-B1H -CP
C1034	08S45676W85	CAP,CER 104K-B1C -CP
C1035	08S45677W02	CAP,CER 1R0C-CH1H-CP
C1036	08S45677W20	CAP,CER.22RJ-CH1H-CP
C1037	08S45677W16	CAP,CER.15RJ-CH1H-CP
C1038	08S45676W85	CAP,CER 104K-B1C -CP
C1039	08S45676W85	CAP,CER 104K-B1C -CP
C1040	08S45676W73	CAP,CER.103K-B1H -CP
C1041	08S45676W65	CAP,CER.222K-B1H -CP
C1042	08S45677W60	CAP,CER 102J-CH1H-CP
C1043	08S45676W73	CAP,CER.103K-B1H -CP
C1044	08S45676W80	CAP,CER 223K-B1E -CP
C1045	08S45676W80	CAP,CER 223K-B1E -CP
C1046	08S45676W80	CAP,CER 223K-B1E -CP
C1047	08S45677W05	CAP,CER.3R0C-CH1H-CP
C1048	08S45677W12	CAP,CER.10RD-CH1H-CP
C1049	08S45677W12	CAP,CER.10RD-CH1H-CP
C1050	08S45676W73	CAP,CER.103K-B1H -CP
C1051	08S45676W73	CAP,CER.103K-B1H -CP
C1052	08S45677W12	CAP,CER.10RD-CH1H-CP
C1053	08S45676W73	CAP,CER.103K-B1H -CP
C1054	08S45676W73	CAP,CER.103K-B1H -CP
C1055	08S45677W36	CAP,CER.101J-CH1H-CP
C1056	08S45676W80	CAP,CER 223K-B1E -CP
C1057	08S45676W73	CAP,CER.103K-B1H -CP
C1058	08S35350Y04	CAP,CER 105K-B1C -CP
C1060	08S35374W08	CAP,CER 474K-B1C -CP
C1061	08S35374W08	CAP,CER 474K-B1C -CP
C1201	08S45676W75	CAP,CER.153K-B1H -CP
C1205	08S45676W85	CAP,CER 104K-B1C -CP
C1206	08S45677W60	CAP,CER 102J-CH1H-CP
C1211	08S45677W36	CAP,CER.101J-CH1H-CP
C1214	08S45676W73	CAP,CER.103K-B1H -CP
C1217	08S45676W73	CAP,CER.103K-B1H -CP
C1218	08S45676W73	CAP,CER.103K-B1H -CP
C1219	08S45676W85	CAP,CER 104K-B1C -CP
C1220	08S45677W60	CAP,CER 102J-CH1H-CP
C1221	08S45676W85	CAP,CER 104K-B1C -CP
C1222	08S45676W85	CAP,CER 104K-B1C -CP
C1223	08S45676W85	CAP,CER 104K-B1C -CP

C1224	08S45676W85	CAP,CER 104K-B1C -CP
C1225	08S45676W85	CAP,CER 104K-B1C -CP
C1226	08S35349Y13	CAP,CER 684K-B1A -CP
C1227	08S35374W11	CAP,CER 475K-B0J -CP
C1228	08S45676W85	CAP,CER 104K-B1C -CP
E1006	23S65134W31	CAP,ELY 10R-1C(4)-E2
E1007	23S65134W31	CAP,ELY 10R-1C(4)-E2
E1008	23S65134W31	CAP,ELY 10R-1C(4)-E2
E1011	23S65134W31	CAP,ELY 10R-1C(4)-E2
E1012	23S65134W81	CAP,ELY 22R-1C(4)-E2
E1014	23S65134W31	CAP,ELY 10R-1C(4)-E2
E1015	23S65134W31	CAP,ELY 10R-1C(4)-E2
E1201	23S65134W81	CAP,ELY 22R-1C(4)-E2
E1204	23S65134W31	CAP,ELY 10R-1C(4)-E2
E1205	23S65134W53	CAP,ELY 4R7-1V(4)-E2

=====Resistors

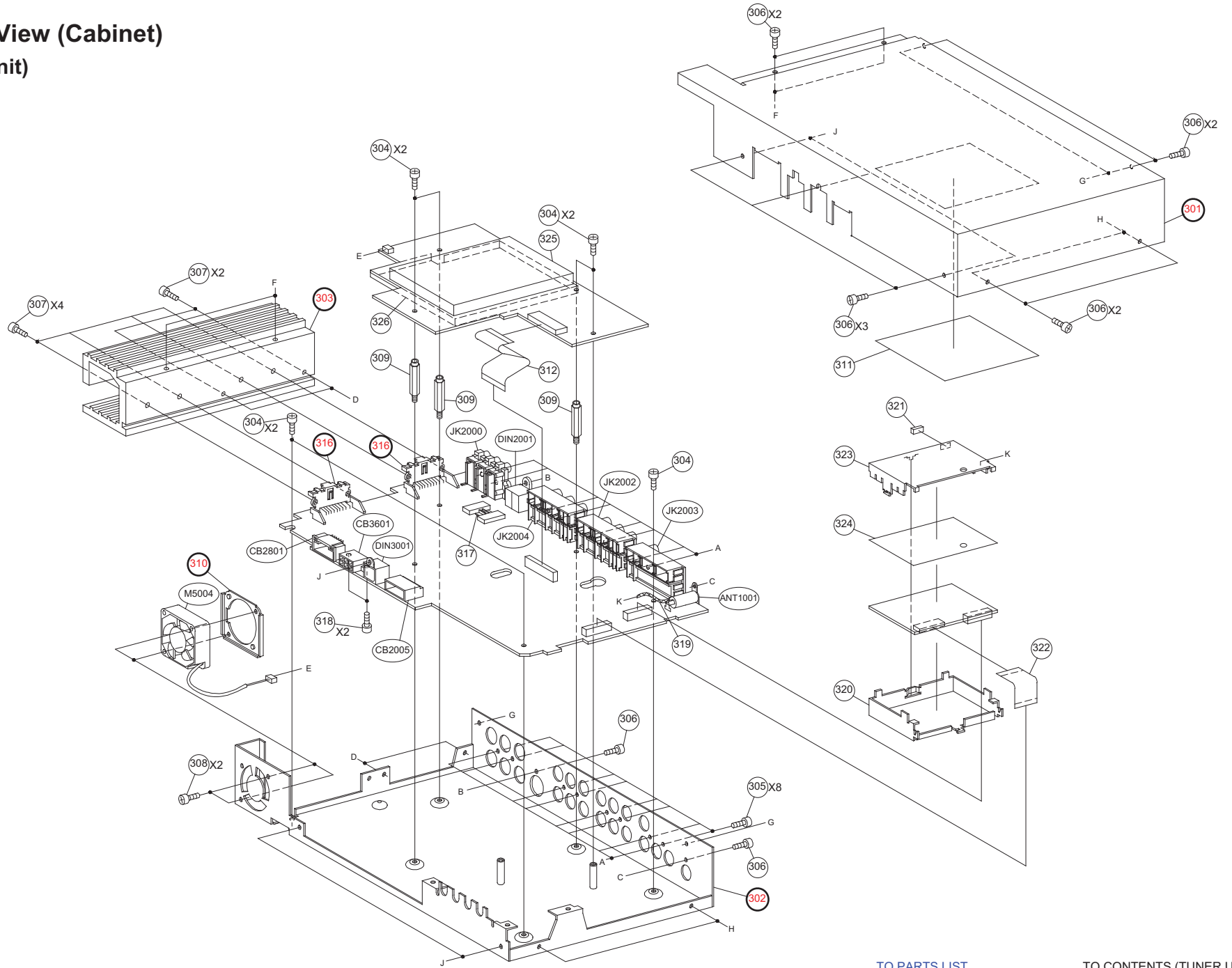
R1001	06S45674W57	RES,RK 102J 1/10 -CP
R1002	06S45674W57	RES,RK 102J 1/10 -CP
R1003	06S45674W57	RES,RK 102J 1/10 -CP
R1004	06S45674W17	RES,RK 22RJ 1/10 -CP
R1005	06S45674W17	RES,RK 22RJ 1/10 -CP
R1006	06S45674W57	RES,RK 102J 1/10 -CP
R1007	06S45674W65	RES,RK 222J 1/10 -CP
R1008	06S45674W57	RES,RK 102J 1/10 -CP
R1009	06S45674W65	RES,RK 222J 1/10 -CP
R1010	06S45675W30	RES,RK 105J 1/10 -CP
R1011	06S45674W73	RES,RK 472J 1/10 -CP
R1012	06S45674W09	RES,RK 10RJ 1/10 -CP
R1013	06S45675W06	RES,RK 104J 1/10 -CP
R1015	06S45674W89	RES,RK 223J 1/10 -CP
R1016	06S45674W81	RES,RK 103J 1/10 -CP
R1017	06S45674W33	RES,RK 101J 1/10 -CP
R1018	06S45674W99	RES,RK 563J 1/10 -CP
R1019	06S45674W73	RES,RK 472J 1/10 -CP
R1020	06S45675W06	RES,RK 104J 1/10 -CP
R1023	06S45674W75	RES,RK 562J 1/10 -CP
R1024	06S45674W53	RES,RK 681J 1/10 -CP
R1028	06S45675W06	RES,RK 104J 1/10 -CP
R1029	06S45674W99	RES,RK 563J 1/10 -CP
R1030	06S45674W75	RES,RK 562J 1/10 -CP
R1034	06S45674W09	RES,RK 10RJ 1/10 -CP
R1037	06S45674W99	RES,RK 563J 1/10 -CP
R1038	06S45674W09	RES,RK 10RJ 1/10 -CP
R1043	06S45674W05	RES,RK 4R7J 1/10 -CP
R1044	06S45674W05	RES,RK 4R7J 1/10 -CP
R1045	06S45674W09	RES,RK 10RJ 1/10 -CP
R1050	06S45674W83	RES,RK 123J 1/10 -CP
R1061	06S70072F37	RES,CP .221-J-1/4-CP
R1062	06S45674W57	RES,RK 102J 1/10 -CP
R1063	06S45674W57	RES,RK 102J 1/10 -CP
R1211	06S45674W65	RES,RK 222J 1/10 -CP
R1215	06S45674W57	RES,RK 102J 1/10 -CP
R1216	06S45674W57	RES,RK 102J 1/10 -CP
R1217	06S45674W89	RES,RK 223J 1/10 -CP
R1218	06S45674W57	RES,RK 102J 1/10 -CP

=====Connectors

CB1001	09T16072W15	BTB,IMSA9120S-15 -DB
--------	-------------	----------------------

CB1002	09T45507Y40	FFC,IMSA9631S-40Y-EQ
*****Miscellaneous		
ANT1001	09T25015Y01	ANT,RECEPTACLE -DB (RADIO ANTENNA IN)
CB2005	09T55629Y01	DIN,CAM-G19-BGAAD-DB(DISPLAY OUT)
CB2801	09T35473Y16	WTB,F169B001-16 -DB(POWER SUPPLY)
CB3601	09T13515W06	WTB,5569-06A1 -DB(REMOTE IN/OUT)
DIN2001	09T55071W01	CONN,TCP9389 BLACK(Ai-NET)
DIN3001	09T15462Y02	DIN,TCS7741-01WA -DB(NAVIGATION IN)
JK2000	09T15730Y02	RCA,T5916-DABI -DB (PREOUT(FRONT(L/R)/REAR(L/R)/ SUB W.(L/R))
JK2002	09T15493Y01	RCA,JPJ2689-01055-DB (AUX IN 1/2(AUDIO(L(MONO)/R)/VIDEO))
JK2003	09T15493Y02	RCA,JPJ2689-010770DB (AUX IN 3(AUDIO(L(MONO)/R)/VIDEO)/ CAMERA IN))
JK2004	09T15493Y01	RCA,JPJ2689-01055-DB (AUX OUT(AUDIO (L/R)/VIDEO))
M5004	59T55190Y10	MOTOR,F3010CU-12PCV (FAN MOTOR/12V-80mA)

Exploded View (Cabinet) (Tuner Unit)



[TO PARTS LIST](#)

[TO CONTENTS \(TUNER UNIT\)](#)

IVA-D900(CAB)

Cabinet Assembly Parts List (TUNER Unit)

Note : The part that has not PART NUMBER will not be supplied.

301	-----	COVER, TOP
302	-----	CHAS, BOTTOM
303	-----	HEAT, SINK
304	03S60822Y28	SCR, S-T 2.6X5 ZN A
305	03S60824Y10	SCR, WEV 3X8 ZN A
306	03S60822Y12	SCR, S-T 2.6X6 ZN A
307	03S60822Y22	SCR, S-T 2.6X14 ZN A
308	03S60821Y07	SCR, WAS 2X14 ZN A
309	47A31548Y04	SHAFT, PWB
310	-----	BKT, FAN
311	14S31545Y44	INS, CVR 80X75XT0.05
312	30T25132Y25	FFC, SML2CD-40X50-P.5
316	-----	BKT, IC
317	36A70327W01	KNOB, SLIDE
318	03S63857F51	SCR, TPG M3X10
319	30A80079F03	SHIELD EARTH 30
320	15C50755Y02	CASE, SHIELD(A)
321	75T65297Y09	CUSHION, SLD 10-3-15
322	30T15164Y01	FFC, SML2CD-40X30
323	15C50756Y02	CASE, SHIELD(B)
324	14A50785Y01	INSULATOR, TUNER
325	26B60244Y01	SHIELD, PWB(A)
326	26B60245Y01	SHIELD, PWB(B)

IVA-D900(ELE)

Electrical Parts List (DC/DC Converter Unit)

*****BOX P.W.Board

=====IC's

IC7301	51T55333Y01	PQ1CY1032ZP	-NE9
IC7302	51T55333Y01	PQ1CY1032ZP	-NE9
IC7303	51T55333Y01	PQ1CY1032ZP	-NE9
IC7304	51T55333Y01	PQ1CY1032ZP	-NE9

=====Diodes

SD7301	48T45286Y01	DIO,SHT RB050L-40-E1
SD7302	48T45286Y01	DIO,SHT RB050L-40-E1
SD7303	48T45286Y01	DIO,SHT RB050L-40-E1
SD7304	48T45286Y01	DIO,SHT RB050L-40-E1

=====Coils

L7301	24T25565Y09	IND,SLF12565 68RM-EA
L7302	24T25565Y09	IND,SLF12565 68RM-EA
L7303	24T25565Y09	IND,SLF12565 68RM-EA
L7304	24T25565Y09	IND,SLF12565 68RM-EA

=====Capacitors

C7301	08S45676W85	CAP,CER 104K-B1C -CP
C7302	08S45676W85	CAP,CER 104K-B1C -CP
C7303	08S45676W85	CAP,CER 104K-B1C -CP
C7304	08S45676W85	CAP,CER 104K-B1C -CP
C7305	08S65128F88	CAP,CER 104K-B1H -CP
C7306	08S65128F88	CAP,CER 104K-B1H -CP
C7307	08S65128F88	CAP,CER 104K-B1H -CP
C7308	08S65128F88	CAP,CER 104K-B1H -CP
C7309	08S65128F88	CAP,CER 104K-B1H -CP
E7301	23T95564W41	CAP,FC 471-1C-G -EA
E7302	23T95564W41	CAP,FC 471-1C-G -EA
E7303	23T95564W47	CAP,FC 102-1A-G -EA
E7304	23T95564W47	CAP,FC 102-1A-G -EA
E7305	23T95564W47	CAP,FC 102-1A-G -EA
E7306	23T95564W47	CAP,FC 102-1A-G -EA
E7307	23T95564W47	CAP,FC 102-1A-G -EA
E7308	23T95564W47	CAP,FC 102-1A-G -EA

=====Resistors

R7304	06S70072F53	RES,CP .102-J-1/4-CP
R7306	06S70072F53	RES,CP .102-J-1/4-CP
R7307	06S70072F53	RES,CP .102-J-1/4-CP
R7308	06S15593Y65	RES,RK 472F 1/10 -CP
R7309	06S15593Y61	RES,RK 332F 1/10 -CP
R7310	06S70072F53	RES,CP .102-J-1/4-CP
R7311	06S15593Y65	RES,RK 472F 1/10 -CP
R7312	06S15593Y61	RES,RK 332F 1/10 -CP
R7313	06S15593Y57	RES,RK 222F 1/10 -CP
R7314	06S15593Y59	RES,RK 272F 1/10 -CP
R7315	06S15593Y54	RES,RK 162F 1/10 -CP
R7316	06S15593Y59	RES,RK 272F 1/10 -CP
R7317	06S15593Y49	RES,RK 102F 1/10 -CP
R7318	06S15593Y53	RES,RK 152F 1/10 -CP
R7319	06S15593Y49	RES,RK 102F 1/10 -CP
R7320	06S15593Y49	RES,RK 102F 1/10 -CP

*****Miscellaneous
CB7301

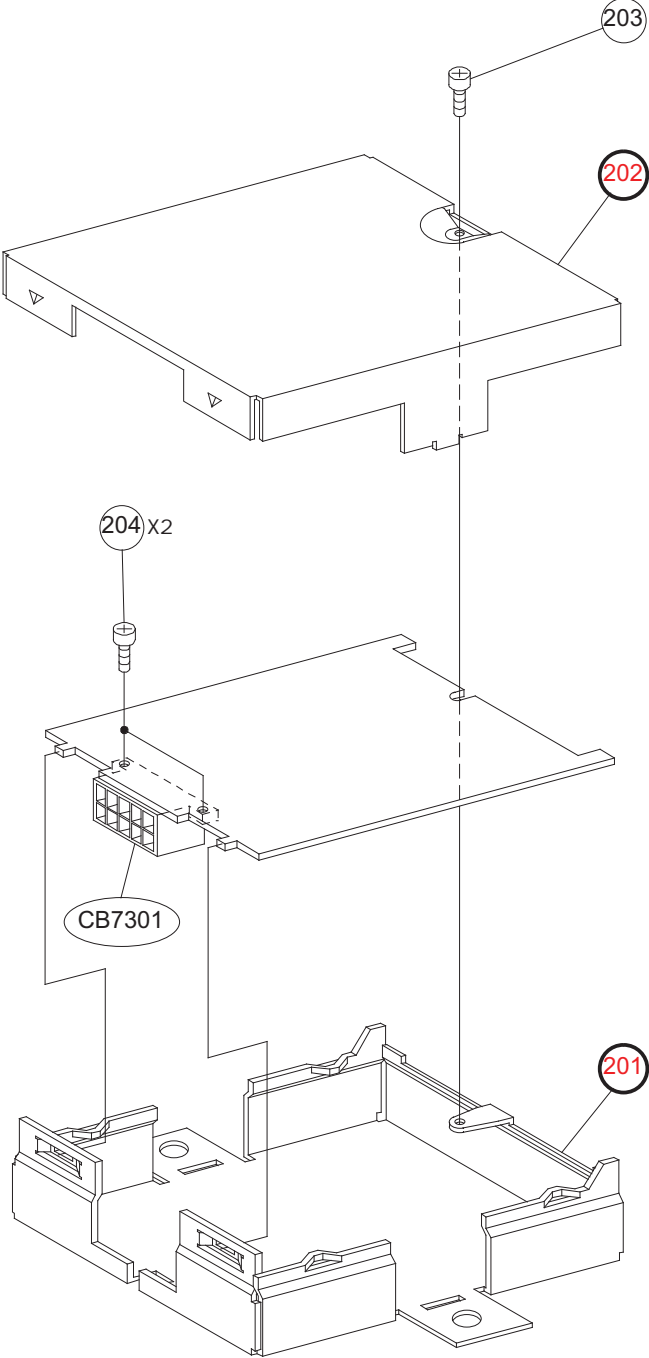
09T13515W10

WTB,5569-10A1
(To Monitor Unit)

-DB

Exploded View (Cabinet)

(DC/DC Converter Unit)



IVA-D900(CAB)

Cabinet Assembly Parts List (DC/DC Converter Unit)

Note : The part that has not PART NUMBER will not be supplied.

201	-----	CHAS,BASE POWER
202	-----	CHAS, TOP POWER
203	03S60822Y13	SCR,S-T 2.6X6 ZN A
204	03S63857F51	SCR,TPG M3X10