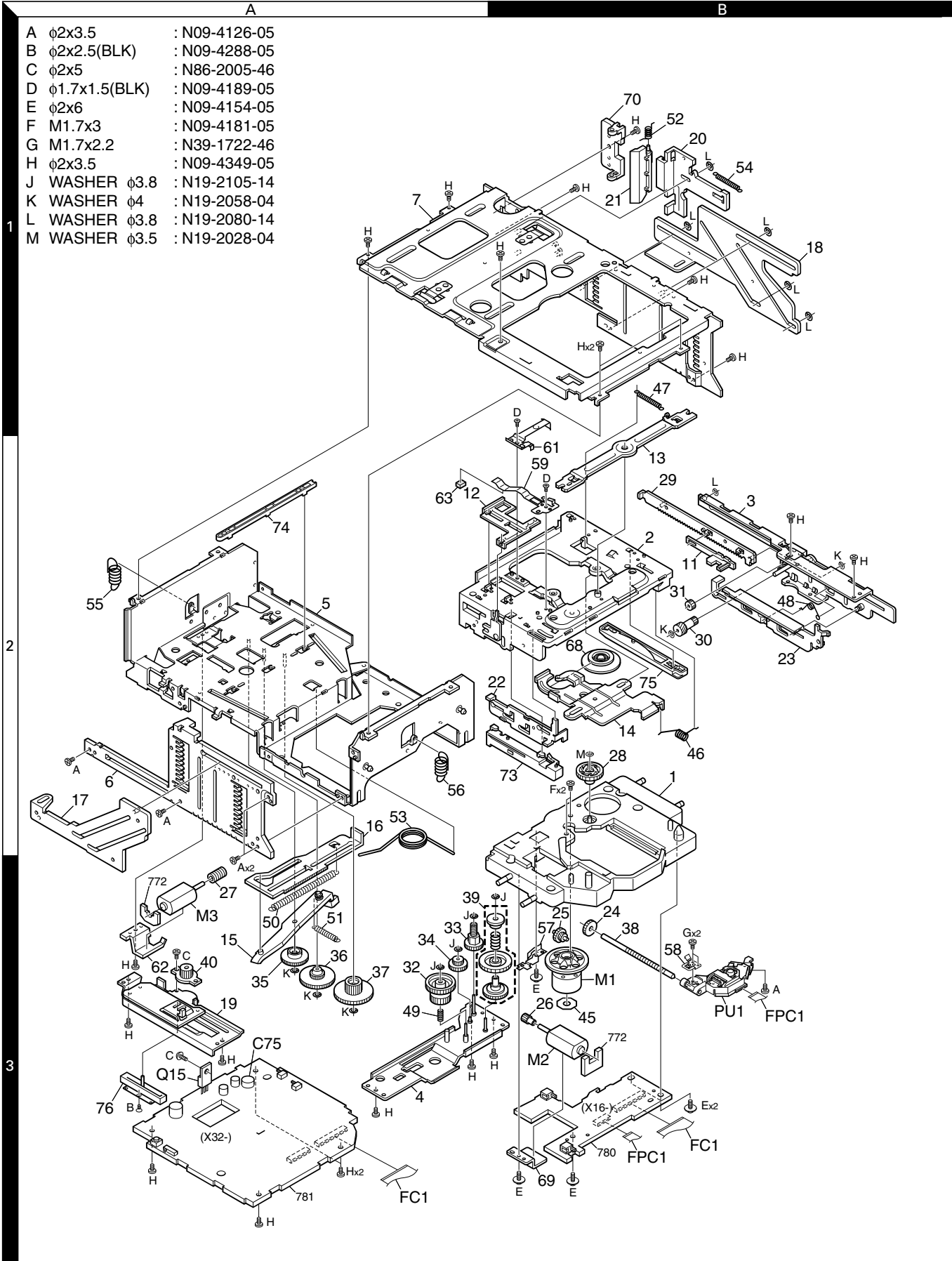


KDC-CX87/CPS87

EXPLODED VIEW (MECHANISM)

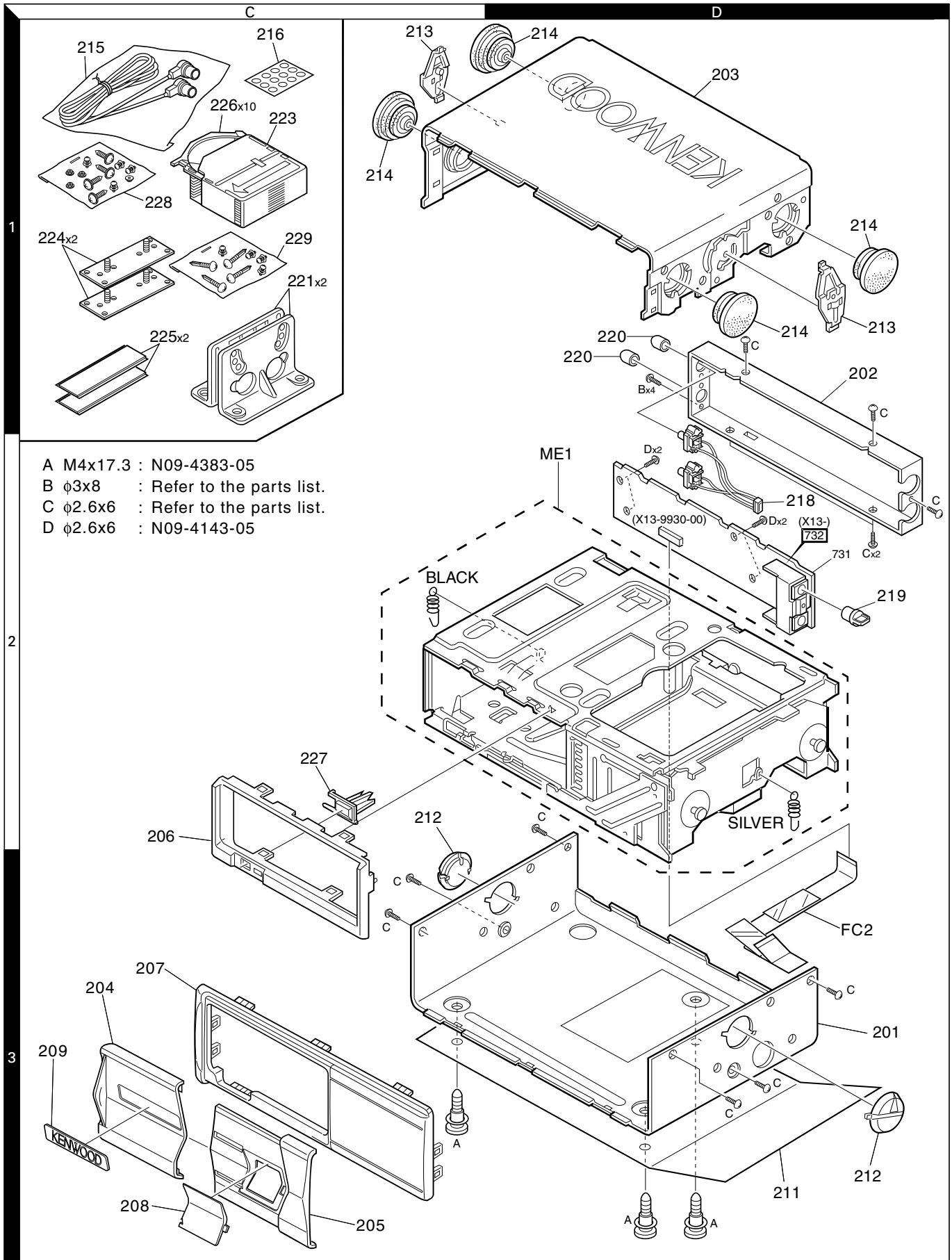
- | | | |
|---|---------------|---------------|
| A | φ2x3.5 | : N09-4126-05 |
| B | φ2x2.5(BLK) | : N09-4288-05 |
| C | φ2x5 | : N86-2005-46 |
| D | φ1.7x1.5(BLK) | : N09-4189-05 |
| E | φ2x6 | : N09-4154-05 |
| F | M1.7x3 | : N09-4181-05 |
| G | M1.7x2.2 | : N39-1722-46 |
| H | φ2x3.5 | : N09-4349-05 |
| J | WASHER φ3.8 | : N19-2105-14 |
| K | WASHER φ4 | : N19-2058-04 |
| L | WASHER φ3.8 | : N19-2080-14 |
| M | WASHER φ3.5 | : N19-2028-04 |



Parts with the exploded numbers larger than 700 are not supplied.

KDC-CX87/CPS87

EXPLODED VIEW (UNIT)



PARTS LIST

* New Parts

Parts without **Parts No.** are not supplied.

Les articles non mentionnes dans le **Parts No.** ne sont pas fournis.

Teile ohne **Parts No.** werden nicht geliefert.

Ref. No.	A d d	N e w	Parts No.	Description	Dest inati on
KDC-CX87/CPS87					
201	3D	*	A10-4842-03	CHASSIS ASSY	M1E1
201	3D	*	A10-4844-03	CHASSIS ASSY	K1
201	3D	*	A10-4873-03	CHASSIS ASSY	K1
201	3D	*	A10-4874-03	CHASSIS ASSY	M1E1
202	1D	*	A01-2750-02	METALLIC CABINET	M1E1
202	1D	*	A01-2752-02	METALLIC CABINET	K1
202	1D	*	A01-2772-02	METALLIC CABINET	M1E1
202	1D	*	A01-2774-02	METALLIC CABINET	K1
203	1D	*	A01-2749-11	METALLIC CABINET	M1E1
203	1D	*	A01-2751-11	METALLIC CABINET	K1
203	1D	*	A01-2771-01	METALLIC CABINET	M1E1
203	1D	*	A01-2773-01	METALLIC CABINET	K1
204	3C	*	A21-3535-12	DRESSING PANEL	K1
204	3C	*	A21-3544-12	DRESSING PANEL	M1E1
205	3C	*	A21-3538-12	DRESSING PANEL	K1
205	3C	*	A21-3545-12	DRESSING PANEL	M1E1
206	2C	*	A22-2837-02	SUB PANEL	M1E1
206	2C	*	A22-2884-02	SUB PANEL	K1
207	3C	*	A64-2344-01	PANEL	K1
207	3C	*	A64-2345-01	PANEL	M1E1
208	3C	*	B10-2997-04	FRONT GLASS	M1E1
208	3C	*	B10-3076-04	FRONT GLASS	K1
209	3C	*	B43-1237-04	KENWOOD BADGE	M1E1
209	3C	*	B43-1238-04	KENWOOD BADGE	K1
211	3D	*	B58-1275-04	CAUTION CARD	
-			B46-0100-50	WARRANTY CARD	
-			B46-0182-14	ID CARD	E1
-			B46-0631-13	USER CARD	K1
-			B58-1285-04	CAUTION CARD (O-N SW)	
-		*	B64-1796-00	INST. MANUAL(ENG,FRE,SPA,POR)	K1E1
-		*	B64-1799-00	INST. MANUAL(ENG,CHI)	M1
-		*	B64-1800-00	INST. MANUAL(ARABIC)	M1
-		*	B64-1805-00	INST. MANUAL(GER,DUT,ITA)	E1
212	3D	*	D10-4515-03	ARM	
213	1C	*	D10-4516-04	LEVER	
214	1C	*	D39-0242-05	DAMPER	
215	1C	*	E30-4291-05	CORD WITH PLUG	
215	1C	*	E30-4954-05	CORD WITH PLUG	
218	2D	*	E30-4507-15	AUDIO CORD	
FC2	3D	*	E39-0393-05	FLAT CABLE	
216	1C	*	F19-1303-04	BLIND PLATE	
219	2D	*	F09-1251-05	CAP	
220	1D	*	F29-0049-05	INSULATING COVER	
-		*	H02-0834-03	INNER CARTON CASE	
-		*	H10-4750-02	POLYSTYRENE FOAMED FIXTURE	
-		*	H25-0337-04	PROTECTION BAG (180X300X0.03)	
-		*	H25-1115-04	PROTECTION BAG	
-		*	H54-1946-04	ITEM CARTON CASE	K1
-		*	H54-1949-04	ITEM CARTON CASE	M1
-		*	H54-1967-04	ITEM CARTON CASE	E1
221	1C	*	J19-4712-23	BRACKET	

Ref. No.	A d d	N e w	Parts No.	Description	Dest inati on
223	1C	*	J19-5074-02	HOLDER ASSY	
224	1C	*	J21-9588-04	MOUNTING HARDWARE ASSY	M1
225	1C	*	J69-0506-04	ADHESIVE TAPE	M1
226	1C	*	J99-0612-01	TRAY	
227	2C	*	K24-3629-04	KNOB	
228	1C	*	N99-1628-15	SCREW SET	M1
229	1C	*	N99-1645-15	SCREW SET	K1E1
A	3D	*	N09-4383-05	STEPPED SCREW	
B	1D	*	N80-3008-41	PAN HEAD TAPTITE SCREW	M1E1
B	1D	*	N80-3008-45	PAN HEAD TAPTITE SCREW	K1
C	3D	*	N09-4143-05	BINDING HEAD TAPTITE SCREW	K1
C	3D	*	N89-2606-45	BINDING HEAD TAPTITE SCREW	K1
D	2D	*	N09-4143-05	TAPTITE SCREW (2.6X6.NI,WAX)	
ME1	2D	*	X92-4310-02	MECHANISM ASSY (CHM-1062)	
SUB-CIRCUIT UNIT (X13-9930-00)					
C1			CK73GB1H562K	CHIP C 5600PF	K
C2			CK73GB1H102K	CHIP C 1000PF	K
C3			CK73GB1C104K	CHIP C 0.10UF	K
C4			CK73GB1E473K	CHIP C 0.047UF	K
C5			C92-1389-05	ELECTRO 47UF	6.3WV
C6 ,7			CK73GB1C104K	CHIP C 0.10UF	K
C9 ,10			CK73GB1H222K	CHIP C 2200PF	K
C11			C92-1449-05	ELECTRO 100UF	16WV
C12			C92-0090-05	CHIP C 22UF	6.3WV
C13			CK73GB1H223K	CHIP C 0.022UF	K
C14			CK73GB1C104K	CHIP C 0.10UF	K
C15 ,16			C92-0090-05	CHIP C 22UF	6.3WV
CN1			E40-9450-05	FLAT CABLE CONNECTOR (16P)	
CN2			E40-9617-05	PIN ASSY (4P)	
J1 ,2			E56-0809-05	CYLINDRICAL RECEPTACLE (13P)	
X1			L78-0529-05	RESONATOR (4.19MHZ)	
R1 -16			RK73EB2B101J	CHIP R 100	J 1/8W
R18 -22			RK73GB1J101J	CHIP R 100	J 1/16W
R24 -27			RK73GB1J104J	CHIP R 100K	J 1/16W
R28			RK73GB1J102J	CHIP R 1.0K	J 1/16W
R29			RK73GB1J104J	CHIP R 100K	J 1/16W
R30 ,31			RK73GB1J102J	CHIP R 1.0K	J 1/16W
R32			RK73GB1J222J	CHIP R 2.2K	J 1/16W
R33			RK73GB1J103J	CHIP R 10K	J 1/16W
R34 ,35			RK73GB1J104J	CHIP R 100K	J 1/16W
R36			RK73GB1J101J	CHIP R 100	J 1/16W
R37			RK73GB1J104J	CHIP R 100K	J 1/16W
R38			RK73GB1J223J	CHIP R 22K	J 1/16W
R39			RK73GB1J104J	CHIP R 100K	J 1/16W
R40			RK73GB1J102J	CHIP R 1.0K	J 1/16W
R41			RK73GB1J103J	CHIP R 10K	J 1/16W
R42			RK73GB1J102J	CHIP R 1.0K	J 1/16W
R43			RK73GB1J103J	CHIP R 10K	J 1/16W
R44			RK73GB1J104J	CHIP R 100K	J 1/16W
R45			RK73EB2B102J	CHIP R 1.0K	J 1/8W
R46			RK73GB1J104J	CHIP R 100K	J 1/16W

K1: KDC-CX87

M1: KDC-CPS87

E1: KDC-CPS87

△ indicates safety critical components.

KDC-CX87/CPS87

PARTS LIST

* New Parts

Parts without **Parts No.** are not supplied.

Les articles non mentionnes dans le **Parts No.** ne sont pas fournis.

Teile ohne **Parts No.** werden nicht geliefert.

SUB-CIRCUIT UNIT (X13-9930-00)

Ref. No.	Ad	New	Parts No.	Description	Dest ination
R47			RK73GB1J103J	CHIP R 10K J 1/16W	
R48			RK73GB1J183J	CHIP R 18K J 1/16W	
R49 ,50			RK73GB1J473J	CHIP R 47K J 1/16W	
R51 ,52			RK73GB1J104J	CHIP R 100K J 1/16W	
R53			RK73GB1J393J	CHIP R 39K J 1/16W	
K1 -4		*	S76-0812-05	MAGNETIC RELAY	
S1			S62-0857-05	SLIDE SWITCH	
D1 -6			MA3056WA	ZENER DIODE	
D7			DAP202K	DIODE	
D8 -10			DAN202U	DIODE	
D11			MA3062-L	ZENER DIODE	
D12 ,13			MA3056-M	ZENER DIODE	
D14			DA204U	DIODE	
D15			MA8056-M	ZENER DIODE	
D16			1SR154-400	DIODE	
IC1			UPD78058GCB82T	MI-COM IC	
IC2			PST9137NR	ANALOGUE IC	
Q1 ,2			DTC124EUA	DIGITAL TRANSISTOR	
Q3 ,4			DTB123YK	DIGITAL TRANSISTOR	
Q5 ,6			2SC4081	TRANSISTOR	
Q7 ,8			DTC124EUA	DIGITAL TRANSISTOR	
Q9			2SB1202	TRANSISTOR	
Q10			2SC4081	TRANSISTOR	
SUB-CIRCUIT UNIT (X16-1010-00)					
CN1			E40-9487-05	FLAT CABLE CONNECTOR (23P)	
CN2			E40-9536-05	FLAT CABLE CONNECTOR (16P)	
W1 ,2			R92-2053-05	CHIP R 0 J 1/8W	
S1 ,2			S74-0811-05	MICRO SWITCH	
CD PLAYER UNIT (X32-5160-00)					
C1			CK73GB1C104K	CHIP C 0.10UF K	
C2			C92-0628-05	CHIP-TAN 10UF 10WV	
C3			CK73GB1H682K	CHIP C 6800PF K	
C4			CK73GB1H152K	CHIP C 1500PF K	
C5			CC73GCH1H470J	CHIP C 47PF J	
C6			CC73GCH1H680J	CHIP C 68PF J	
C7			CC73GCH1H040C	CHIP C 4.0PF C	
C8			CC73GCH1H180J	CHIP C 18PF J	
C9			CK73GB1A224K	CHIP C 0.22UF K	
C10			CK73GB1H222K	CHIP C 2200PF K	
C11			CK73GB1H682K	CHIP C 6800PF K	
C12 ,13			CK73GB1H103K	CHIP C 0.010UF K	
C14 ,15			C92-0514-05	CHIP-TAN 2.2UF 10WV	
C16			C92-1389-05	ELECTRO 47UF 6.3WV	
C17			CK73FB1A225K	CHIP C 2.2UF K	
C18			CK73EB1A475K	CHIP C 4.7UF K	
C19			CK73FB1A225K	CHIP C 2.2UF K	
C20			CK73GB1C104K	CHIP C 0.10UF K	
C21			CK73GB1H681K	CHIP C 680PF K	
C22			C92-1389-05	ELECTRO 47UF 6.3WV	
C23			CK73EB1A475K	CHIP C 4.7UF K	
C24			CK73GB1H102K	CHIP C 1000PF K	
C25			CK73GB1H103K	CHIP C 0.010UF K	

Ref. No.	Ad	New	Parts No.	Description	Dest ination
C26			CK73GB1C104K	CHIP C 0.10UF K	
C29 ,30			CC73GCH1H120J	CHIP C 12PF J	
C31 ,32			C92-0628-05	CHIP-TAN 10UF 10WV	
C33			CK73GB1H222K	CHIP C 2200PF K	
C34			C92-1390-05	ELECTRO 100UF 6.3WV	
C35			CK73GB1C104K	CHIP C 0.10UF K	
C37 -40			CK73GB1H331K	CHIP C 330PF K	
C41 -44			CC73GCH1H680J	CHIP C 68PF J	
C45			CK73GB0J105K	CHIP C 1.0UF K	
C46 ,47			C92-1393-05	ELECTRO 10UF 16WV	
C48 ,49			CK73GB1H102K	CHIP C 1000PF K	
C52			CK73EB1A475K	CHIP C 4.7UF K	
C55			C92-0628-05	CHIP-TAN 10UF 10WV	
C56			CK73EB1A475K	CHIP C 4.7UF K	
C59			C92-1390-05	ELECTRO 100UF 6.3WV	
C60			CK73EB1A475K	CHIP C 4.7UF K	
C61			CK73GB1C104K	CHIP C 0.10UF K	
C62			C92-1392-05	ELECTRO 100UF 10WV	
C63			CK73EB1A475K	CHIP C 4.7UF K	
C64 ,65			C92-1388-05	ELECTRO 470UF 16WV	
C67 -69			CK73GB1C104K	CHIP C 0.10UF K	
C70			CC73GCH1H101J	CHIP C 100PF J	
C71 ,72			CK73FB1A225K	CHIP C 2.2UF K	
C73			CK73GB1C104K	CHIP C 0.10UF K	
C85			CK73FB1A225K	CHIP C 2.2UF K	
C191			CK73GB1C104K	CHIP C 0.10UF K	
C192			CK73GB1H681K	CHIP C 680PF K	
C200-206			CK73GB1C104K	CHIP C 0.10UF K	
CN1			E40-9338-05	FLAT CABLE CONNECTOR (23P)	
CN2			E40-9404-05	FLAT CABLE CONNECTOR (16P)	
L2			L92-0322-05	CHIP FERRITE	
L3 -8			L92-0314-05	CHIP FERRITE	
X1			L77-2081-05	CRYSTAL RESONATOR (16.934MHZ)	
X2			L78-0568-05	RESONATOR (12.5MHZ)	
CP1			R90-0720-05	MULTI-COMP 100K X4	
CP3			R90-0720-05	MULTI-COMP 100K X4	
CP5 ,6			R90-1014-05	MULTI-COMP 100 X4	
CP7 ,8			R90-0720-05	MULTI-COMP 100K X4	
CP9			R90-0725-05	MULTI-COMP 1K X2	
CP10-12			R90-1014-05	MULTI-COMP 100 X4	
CP14,15			R90-0720-05	MULTI-COMP 100K X4	
CP16			R90-0724-05	MULTI-COMP 1K X4	
CP17			R90-0720-05	MULTI-COMP 100K X4	
R1			RK73GB1J102J	CHIP R 1.0K J 1/16W	
R3			RK73GB1J103J	CHIP R 10K J 1/16W	
R4			RK73GB1J391J	CHIP R 390 J 1/16W	
R5			RK73GB1J302J	CHIP R 3.0K J 1/16W	
R7			RK73GB1J302J	CHIP R 3.0K J 1/16W	
R8			RK73EB2B100J	CHIP R 10 J 1/8W	
R9			RK73GB1J102J	CHIP R 1.0K J 1/16W	
R10			RK73GB1J104J	CHIP R 100K J 1/16W	
R11 -14			RK73GB1J103J	CHIP R 10K J 1/16W	
R15			RK73GB1J104J	CHIP R 100K J 1/16W	
R16			RK73GB1J562J	CHIP R 5.6K J 1/16W	

K1: KDC-CX87

M1: KDC-CPS87

E1: KDC-CPS87

PARTS LIST

* New Parts

Parts without **Parts No.** are not supplied.

Les articles non mentionnes dans le **Parts No.** ne sont pas fournis.

Teile ohne **Parts No.** werden nicht geliefert.

CD PLAYER UNIT (X32-5160-00)

Ref. No.	A d d	N e w	Parts No.	Description	Dest inati on
R17			RK73EB2B103J	CHIP R 10K J 1/8W	
R18			RK73GB1J103J	CHIP R 10K J 1/16W	
R19			RK73GB1J333J	CHIP R 33K J 1/16W	
R20			RK73GB1J104J	CHIP R 100K J 1/16W	
R21			RK73GB1J123J	CHIP R 12K J 1/16W	
R22			RK73GB1J183J	CHIP R 18K J 1/16W	
R25			RK73GB1J113J	CHIP R 11K J 1/16W	
R26			RK73EB2B123J	CHIP R 12K J 1/8W	
R33			RK73GB1J102J	CHIP R 1.0K J 1/16W	
R37 -40			RK73GB1J362J	CHIP R 3.6K J 1/16W	
R41 -44			RK73GB1J512J	CHIP R 5.1K J 1/16W	
R45 -48			RK73GB1J123J	CHIP R 12K J 1/16W	
R49 -52			RK73GB1J562J	CHIP R 5.6K J 1/16W	
R53 ,54			RK73GB1J681J	CHIP R 680 J 1/16W	
R55			RK73GB1J122J	CHIP R 1.2K J 1/16W	
R56			RK73GB1J331J	CHIP R 330 J 1/16W	
R57 ,58			RK73GB1J223J	CHIP R 22K J 1/16W	
R59			RK73GB1J914J	CHIP R 910K J 1/16W	
R61 ,62			RK73EB2B101J	CHIP R 100 J 1/8W	
R67			RK73GB1J124J	CHIP R 120K J 1/16W	
R68			RK73EB2B124J	CHIP R 120K J 1/8W	
R69 ,70			RK73GB1J303J	CHIP R 30K J 1/16W	
R71			RK73GB1J912J	CHIP R 9.1K J 1/16W	
R72 ,73			RK73GB1J101J	CHIP R 100 J 1/16W	
R74 ,75			RK73GB1J223J	CHIP R 22K J 1/16W	
R76			RK73GB1J104J	CHIP R 100K J 1/16W	
R77			RK73GB1J183J	CHIP R 18K J 1/16W	
R78			RK73GB1J104J	CHIP R 100K J 1/16W	
R79			RK73GB1J332J	CHIP R 3.3K J 1/16W	
R80			RK73GB1J102J	CHIP R 1.0K J 1/16W	
R81			RK73GB1J103J	CHIP R 10K J 1/16W	
R82 -84			RK73GB1J102J	CHIP R 1.0K J 1/16W	
R85 -87			RK73GB1J104J	CHIP R 100K J 1/16W	
R93			RK73GB1J224J	CHIP R 220K J 1/16W	
R94			RK73GB1J472J	CHIP R 4.7K J 1/16W	
R95 ,96			RK73GB1J104J	CHIP R 100K J 1/16W	
R97 ,98			RK73GB1J103J	CHIP R 10K J 1/16W	
R99			RK73GB1J104J	CHIP R 100K J 1/16W	
R100,101			RK73GB1J102J	CHIP R 1.0K J 1/16W	
R102			RK73GB1J104J	CHIP R 100K J 1/16W	
R105,106			RK73GB1J102J	CHIP R 1.0K J 1/16W	
R107			RK73GB1J101J	CHIP R 100 J 1/16W	
R108-111			RK73GB1J104J	CHIP R 100K J 1/16W	
R112			RK73GB1J103J	CHIP R 10K J 1/16W	
R120			RK73GB1J393J	CHIP R 39K J 1/16W	
R121			RK73GB1J103J	CHIP R 10K J 1/16W	
R122,123			RK73GB1J102J	CHIP R 1.0K J 1/16W	
R124			RK73GB1J223J	CHIP R 22K J 1/16W	
R127			RK73GB1J104J	CHIP R 100K J 1/16W	
R129			RK73GB1J102J	CHIP R 1.0K J 1/16W	
R133,134			RK73GB1J104J	CHIP R 100K J 1/16W	
R135-138			RK73GB1J101J	CHIP R 100 J 1/16W	
R139-143			RK73GB1J104J	CHIP R 100K J 1/16W	
R148,149			RK73GB1J101J	CHIP R 100 J 1/16W	
R150			RK73GB1J102J	CHIP R 1.0K J 1/16W	

Ref. No.	A d d	N e w	Parts No.	Description	Dest inati on
R151			RK73GB1J471J	CHIP R 470 J 1/16W	
R152			RK73GB1J913J	CHIP R 91K J 1/16W	
R153,154			RK73GB1J472J	CHIP R 4.7K J 1/16W	
R155,156			RK73GB1J102J	CHIP R 1.0K J 1/16W	
R161			RK73GB1J163J	CHIP R 16K J 1/16W	
R162			RK73GB1J472J	CHIP R 4.7K J 1/16W	
R190			RK73GB1J223J	CHIP R 22K J 1/16W	
R191			RK73GB1J123J	CHIP R 12K J 1/16W	
R205			RK73EB2B102J	CHIP R 1.0K J 1/8W	
W2			R92-1252-05	CHIP R 0 OHM	
W5 -7			R92-1252-05	CHIP R 0 OHM	
S1			S68-0823-05	PUSH SWITCH	
S2			S70-0838-05	TACT SWITCH	
S3			S68-0823-05	PUSH SWITCH	
S4			S62-0863-05	SLIDE SWITCH	
D1			DAP202K	DIODE	
D3 ,4			MA3056-M	ZENER DIODE	
D5			MA8075-M	ZENER DIODE	
D7			MA3056-M	ZENER DIODE	
D8			MA8062-M	ZENER DIODE	
D9 ,10			M1F60	DIODE	
D11			1SR154-400	DIODE	
D12			DA204U	DIODE	
D14			MA8091-M	ZENER DIODE	
D15			DAP202K	DIODE	
D16			DAP202U	DIODE	
D21 ,22			DAN202K	DIODE	
D23 ,24			DAN202U	DIODE	
IC1		*	UPD63711AGC	MOS-IC	
IC2			NJM4580MD	ANALOGUE IC	
IC3			NJM5532MD	IC(OP AMP)	
IC4			KIA78L05F	ANALOGUE IC	
IC5		*	LA6576	ANALOGUE IC	
IC7		*	UPD784214GC091	MI-COM IC	
IC8			BR24C02F-W	MEMORY IC	
IC8		*	CAT24WC02JI	MEMORY IC	
IC8		*	M24C02WMN6T	MEMORY IC	
IC8		*	S-24C02BFJA	MEMORY IC	
IC8		*	24LC02BT-ISN	MEMORY IC	
IC9			S-80830ANNP	MOS-IC	
IC10			KKZ05F	CUSTOM IC	
IC11			LC3564BT-70	MEMORY IC	
Q1			MCH6101	TRANSISTOR	
Q4			DTA124EK	DIGITAL TRANSISTOR	
Q5			DTA124EUA	DIGITAL TRANSISTOR	
Q6 ,7			DTC343TK	DIGITAL TRANSISTOR	
Q8			DTA124EK	DIGITAL TRANSISTOR	
Q9			2SB1202	TRANSISTOR	
Q10			2SB1295	TRANSISTOR	
Q11			DTC124EK	DIGITAL TRANSISTOR	
Q12 ,13			DTC124EUA	DIGITAL TRANSISTOR	
Q14			DTA143EUA	DIGITAL TRANSISTOR	
Q16			2SC4081	TRANSISTOR	
Q17			DTA143EK	DIGITAL TRANSISTOR	

K1: KDC-CX87

M1: KDC-CPS87

E1: KDC-CPS87

△ indicates safety critical components.

KDC-CX87/CPS87

PARTS LIST

* New Parts

Parts without **Parts No.** are not supplied.

Les articles non mentionnes dans le **Parts No.** ne sont pas fournis.

Teile ohne **Parts No.** werden nicht geliefert.

CD PLAYER UNIT (X32-5160-00)

Ref. No.	A d d	N e w	Parts No.	Description	Dest inati on
Q18 ,19 Q20 Q21 Q22 Q30			DTC124EUA DTC124EK 2SB1202 2SC4081 DTC114YUA	DIGITAL TRANSISTOR DIGITAL TRANSISTOR TRANSISTOR TRANSISTOR DIGITAL TRANSISTOR	
Q31 TH1			DTC124EUA NTH5G20B33K07	DIGITAL TRANSISTOR THERMISTOR	
MECHANISM ASSY (X92-4310-02)					
1	2B	*	A10-4745-03	CHASSIS ASSY	
2	2B	*	A10-4748-02	CHASSIS CALKING ASSY	
3	2B	*	A10-4751-03	CHASSIS CALKING ASSY	
4	3A	*	A10-4754-04	CHASSIS CALKING ASSY	
5	2A	*	A10-4757-02	CHASSIS CALKING ASSY	
6	2A	*	A10-4759-02	CHASSIS	
7	1A	*	A10-4760-02	CHASSIS CALKING ASSY	
C75	3A		C90-2945-05	ELECTRO 0.047F 5.5WV	
11	2B		D10-4293-03	ARM	
12	2A	*	D10-4527-03	SLIDER	
13	2B	*	D10-4528-03	ARM	
14	2B	*	D10-4529-03	LEVER	
15	3A	*	D10-4531-04	LEVER ASSY	
16	2A	*	D10-4533-03	LEVER	
17	2A	*	D10-4534-04	SLIDER ASSY	
18	1B	*	D10-4536-13	SLIDER	
19	3A	*	D10-4537-04	SLIDER ASSY	
20	1B	*	D10-4540-13	ARM	
21	1B	*	D10-4547-03	LEVER	
22	2B	*	D12-0630-02	CAM	
23	2B	*	D12-0631-02	CAM	
24	3B	*	D13-2185-04	GEAR	
25	3B	*	D13-2186-04	GEAR	
26	3B	*	D13-2187-04	GEAR	
27	3A	*	D13-2188-04	WORM	
28	2B	*	D13-2092-04	GEAR	
29	2B	*	D13-2093-04	GEAR ASSY	
30	2B	*	D13-2095-04	GEAR	
31	2B	*	D13-2096-04	GEAR	
32	3A	*	D13-2099-04	GEAR	
33	3A	*	D13-2100-04	GEAR	
34	3A	*	D13-2101-04	GEAR	
35	3A	*	D13-2102-04	GEAR	
36	3A	*	D13-2103-04	GEAR	
37	3A	*	D13-2104-04	GEAR	
38	3B	*	D19-0636-04	LEAD SCREW	
39	3A	*	D19-0637-04	CLUTCH ASSY	
40	3A		D39-0225-05	DAMPER	
FC1	3A		E39-0172-15	FLAT CABLE (23P)	
45	3B	*	F09-1645-04	SHEET	
46	2B	*	G01-3036-04	TORSION COIL SPRING	
47	1B	*	G01-3037-04	EXTENSION SPRING	
48	2B	*	G01-3038-04	TORSION COIL SPRING	
49	3A	*	G01-3039-04	COMPRESSION SPRING	

Ref. No.	A d d	N e w	Parts No.	Description	Dest inati on
50	3A	*	G01-3040-04	EXTENSION SPRING	
51	3A	*	G01-3041-04	EXTENSION SPRING	
52	1B	*	G01-3042-04	TORSION COIL SPRING	
53	2A	*	G01-3043-04	TORSION COIL SPRING	
54	1B	*	G01-3044-04	EXTENSION SPRING	
55	2A	*	G01-3045-04	EXTENSION SPRING (BLACK)	
56	2A	*	G01-3046-04	EXTENSION SPRING (SILVER)	
57	3B	*	G02-1374-04	FLAT SPRING	
58	3B	*	G02-1375-03	FLAT SPRING	
59	2B	*	G02-1376-03	FLAT SPRING	
61	2B	*	G02-1378-04	FLAT SPRING	
62	3A	*	G02-1380-04	FLAT SPRING	
63	2A	*	G10-1045-14	FELT	
68	2B	*	J11-0637-03	CLAMPER	
69	3B	*	J21-9592-04	MOUNTING HARDWARE	
70	1B	*	J21-9595-03	MOUNTING HARDWARE	
73	2B		J90-0759-03	GUIDE	
74	2A		J90-0760-03	RAIL	
75	2B		J90-0777-23	GUIDE	
FPC1	3B		J84-0099-05	FLEXIBLE PRINTED WIRING BOARD	
A	2A		N09-4126-05	MACHINE SCREW (2X3.5 C BLK)	
B	3A		N09-4288-05	TAPTITE SCREW (2X2.5 S)	
C	3A		N86-2005-46	BINDING HEAD TAPTITE SCREW	
D	2B		N09-4189-05	TAPTITE SCREW (1.7X1.5 S blk)	
E	3B		N09-4154-05	TAPTITE SCREW (2x6 P)	
F	2B		N09-4181-05	MACHINE SCREW (M1.7X3 LOCK)	
G	3B		N39-1722-46	PAN HEAD MACHIN SCREW	
H	1A		N09-4349-05	TAPTITE SCREW (2X3.5 S)	
J	3A		N19-2105-14	FLAT WASHER (1.55X3.8X0.35)	
K	3A		N19-2058-04	FLAT WASHER (1.6X4X0.25)	
L	1B		N19-2080-14	FLAT WASHER (1.55X3.8X0.3)	
M	2B		N19-2028-04	FLAT WASHER (1.6X3.5X0.25)	
76	3A	*	R33-0207-05	SLIDE TYPE VARIABLE R. (10K B)	
M1			T42-0797-04	MOTOR ASSY	
M2 ,3 PU1	3A 3B	*	T42-0788-05 T25-0105-05	DC MOTOR OPTICAL PICKUP HEAD	
Q15	3A		2SB1565(E,F)	TRANSISTOR	

K1: KDC-CX87

M1: KDC-CPS87

E1: KDC-CPS87