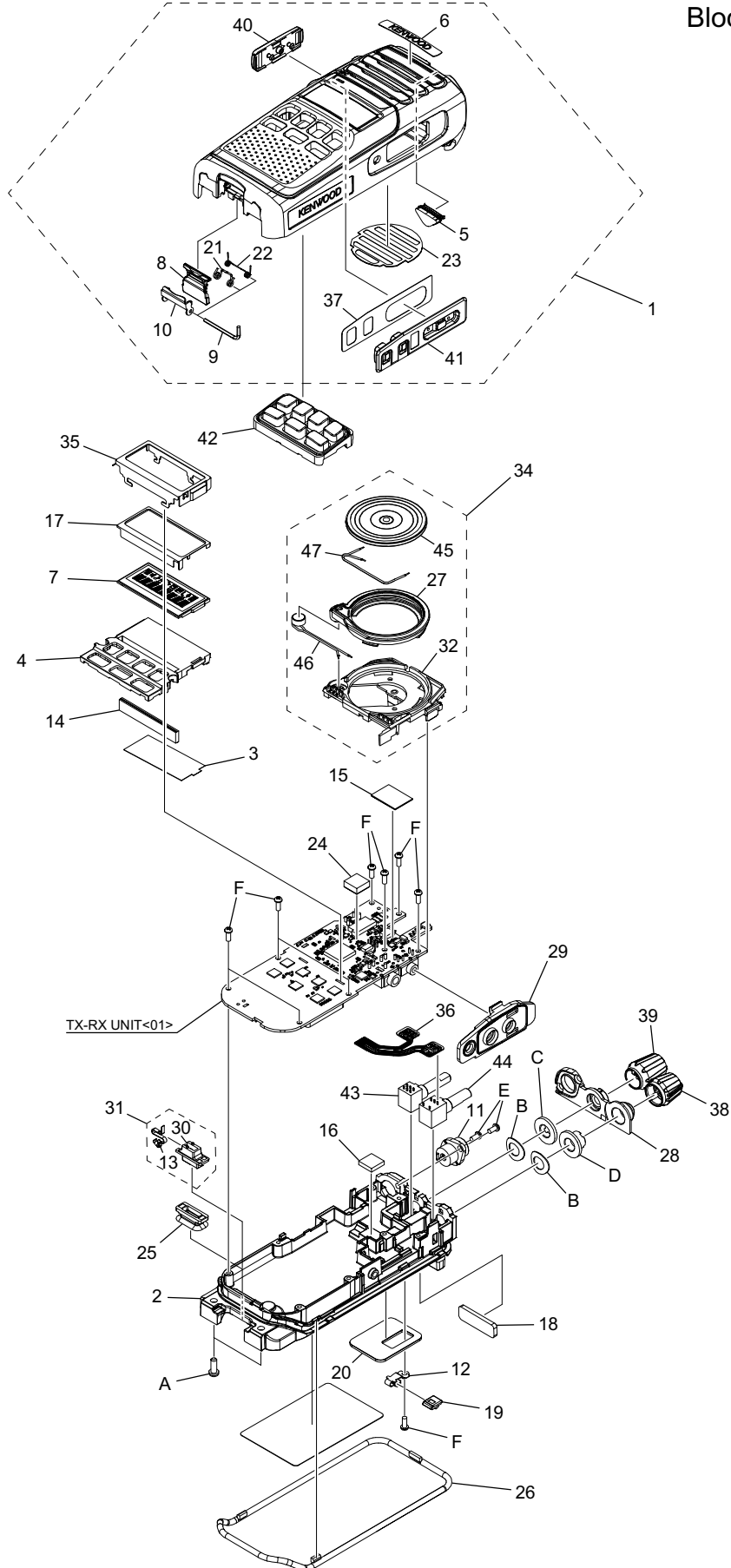


# Exploded view of general assembly and parts list (NX-1200 series)

Block No.M1MM



# General assembly (NX-1200 series)

Block No. [M][1][M][M]

△ Symbol No.	Part No.	Part Name	Description	Local
1	A0C-0249-01	P,CABINET ASSY	7KEY	
2	A1A-0131-02	CHASSIS	COAT	
3	B11-1877-24	FILTER	LCD	
4	B1B-0158-00	ILL.GUIDE	LCD	
5	B1B-0174-00	ILL.GUIDE		
6	B4D-0065-00	KENWOOD BADGE		
7	B38-0935-35	LCD		
8	D1A-0071-00	LEVER		
9	D2B-0066-00	SHAFT		
10	D32-0441-13	STOPPER		
11	E04-0477-15	C.RECEPTACLE-SM		
12	E23-1253-24	TERMINAL		
13	E23-1395-04	TERMINAL	+VE	
14	E29-1229-35	INTER CONNECTOR	LCD	
15	G10-1348-04	FIBROUS SHEET	AUDIO IC	
16	G11-4465-04	RUBBER SHEET	FET	
17	G11-4525-14	SHEET	LCD	
18	G13-2009-04	CUSHION		
19	G13-2033-04	CUSHION		
20	G13-2034-24	CUSHION		
21	G0A-0106-10	COIL SPRING		
22	G0A-0107-10	COIL SPRING		
23	G1A-0092-00	FIBROUS SHEET		
24	G1D-0402-00	CUSHION		
25	G53-2218-03	PACKING	+VE	
26	G5D-0191-00	RUBBER SEAL	SURROUND	
27	G5D-0192-00	RUBBER SEAL		
28	G5D-0193-10	RUBBER SEAL	TOP	
29	G5D-0194-00	RUBBER SEAL	2PIN	
30	J19-5579-03	HOLDER	+VE	
31	J19-5580-03	HOLDER ASSY	+VE	
32	J1K-0747-10	HOLDER		
34	J1K-0897-10	HOLDER ASSY	SPK	
35	J21-8619-13	MOUNTING	LCD	
36	J8C-0015-00	FLEX P.BOARD		
37	J9K-0054-00	ADHESIVE SHEET		
38	K2K-0189-10	KNOB	VOL	
39	K2K-0190-00	KNOB	CH	
40	K2K-0410-00	BUTTON KNOB		
41	K2K-0411-00	BUTTON KNOB		
42	K2K-0412-10	KEY TOP	7KEY	
43	S6A-0011-10	ROTARY SWITCH	LCD	
44	R3B-0017-10	V RESISTOR		
45	T0H-0011-00	SPEAKER		
46	T9B-0062-10	MIC ELEMENT		
47	E3F-0194-00	PARALLEL CORD		
A	N09-6621-05	PAN HEAD SCREW	(x2)	
B	N19-2214-05	SPECIAL WASHER	(x2)	
C	N1X-0024-00	CIRCULAR NUT	CH	
D	N1X-0038-00	CIRCULAR NUT	VOL	
E	N30-2604-48	P.HEAD M.SCREW	SMA(x2)	
F	N83-2005-48	P.HEAD T.SCREW	(x9)	
-	XCA-075K-00	TX-RX UNIT	SERVICE UNIT	12-DVK2,12-DK2
-	XCA-076K-00	TX-RX UNIT	SERVICE UNIT	12-NVK2,12-NK2

# Electrical parts list (NX-1200 series)

## TX-RX UNIT

### XC1-295K-00

(NX-1200DV,NX-1200D,NX-1200NV,NX-1200N)

**Note 1:**If changing this IC, please contact our service center.

**Note 2:**This part cannot be replaced.  
Therefore, this part is not supplied as a service part.

Block No. [0][1]

△ Symbol No.	Part No.	Part Name	Description	Local
IC1	BU32TD2WNVX	MOS IC		
IC2	AK1541	MOS IC		
IC3	TPS61041DRVR	ANALOG IC		
IC4	OPA170AIDRLR	MOS IC		
IC5	BU7295HFV	MOS IC		
IC6	BU7465HFV	MOS IC		
IC100	BU7465HFV	MOS IC		
IC200	RP571Q4	MOS IC		
IC201	TLV9062IDSGR	MOS IC		
IC202	TLV9062IDSGR	MOS IC		
IC203	BU32TD2WNVX	MOS IC		
IC300	TA7368PG	MOS IC		
IC301	BU7465HFV	MOS IC		
IC302	NJU7089KV1	MOS IC		
IC400	XC6209B502D-G	MOS IC		
IC401	MM1856A50N	BIPOLAR IC		
IC402	XC6209B502D-G	MOS IC		
IC403	BU32TD2WNVX	MOS IC		
IC404	BU32TD2WNVX	MOS IC		
IC405	PST8228U	MOS IC		
IC406	XC61CC5602N-G	MOS IC		
IC407	TPS62140RGT	MOS IC		
IC408	BU32TD2WNVX	MOS IC		
IC500	IS25LP016DJUL	ROM IC		
IC501	2F405VGT6KHGA	MPU IC	Note 1	
IC502	NJU6368PF1	MOS IC		
IC600	BU7465HFV	MOS IC		
IC601	TLV9062IDSGR	MOS IC		
IC602	TLV9062IDSGR	MOS IC		
IC603	BU7465HFV	MOS IC		
IC604	R2A20178NP	MCU IC		
IC605	DAC101C081CIM	MOS IC		
IC606	BU7465HFV	MOS IC		
IC700	PT16557LQ	MOS IC		
Q1	EM6M2	FET		
Q3	2SD2654/W/	TRANSISTOR		
Q4	MCH3914-H/8/	FET		
Q5	2SC5108FT/Y/	TRANSISTOR		
Q6	2SC5108FT/Y/	TRANSISTOR		
Q100	2SC5108FT/Y/	TRANSISTOR		
Q101	RE1C001ZP	FET		
Q102	RE1C001ZP	FET		
Q103	LTC044EEBFS8	DIGI TRANSISTOR		
Q104	RFM00U7UF	FET		
Q105	RE1C001UN	FET		
Q106	RFM01U7PF	FET		
Q107	RD07MUS2BT214	FET		
Q108	SSM6L36FET	FET		
Q200	BFR193W	TRANSISTOR		

△ Symbol No.	Part No.	Part Name	Description	Local
Q202	RE1C001ZP	FET		
Q300	LTC014EEBFS8	DIGI TRANSISTOR		
Q301	LTC014EEBFS8	DIGI TRANSISTOR		
Q302	LTC014EEBFS8	DIGI TRANSISTOR		
Q303	SSM3K324RF	FET		
Q304	SSM3K324RF	FET		
Q305	LTC014EEBFS8	DIGI TRANSISTOR		
Q306	LTC014EEBFS8	DIGI TRANSISTOR		
Q307	2SB1694	TRANSISTOR		
Q308	SSM6N15AFEM	DUAL FET		
Q309	2SAR293P5	TRANSISTOR		
Q310	UMG3N	DIGI TR ARRAY		
Q311	LTC014EEBFS8	DIGI TRANSISTOR		
Q312	LTC014EEBFS8	DIGI TRANSISTOR		
Q313	SSM6N15AFEM	DUAL FET		
Q400	SSM6L36FET	FET		
Q402	EMD12	TRANSISTOR		
Q403	LTC044EEBFS8	DIGI TRANSISTOR		
Q404	SSM6N15AFEM	DUAL FET		
Q600	LSCR523EBFS8	TRANSISTOR		
Q601	LSAR523EBFS8	TRANSISTOR		
Q700	EMD9	TRANSISTOR		
Q701	EMD9	TRANSISTOR		
D1	RB561VM-40	SCHOTTKY DIODE		
D2	EDZV8.2B	ZENER DIODE		
D4	KDS160E-P	DIODE		
D5	SMV1251-079LF	VARI CAP DIODE		
D6	SMV1801-079LF	VARI CAP DIODE		
D7	SMV1801-079LF	VARI CAP DIODE		
D8	SMV1801-079LF	VARI CAP DIODE		
D9	SMV1130-079LF	VARI CAP DIODE		
D10	SMV1801-079LF	VARI CAP DIODE		
D101	RN142SM	DIODE		
D102	RN142SM	DIODE		
D103	RN142SM	DIODE		
D104	RN142SM	DIODE		
D105	SPC10501A01	VARISTOR		
D200	1SV325FT	VARI CAP DIODE		
D201	1SV325FT	VARI CAP DIODE		
D202	1SV325FT	VARI CAP DIODE		
D203	1SV325FT	VARI CAP DIODE		
D300	NSSM240A	LED		
D303	RB706F-40-MC	DIODE		
D304	AVRM10120MAAB	VARISTOR		
D305	AVRM10120MAAB	VARISTOR		
D306	AVRM10120MAAB	VARISTOR		
D307	AVRM10120MAAB	VARISTOR		
D400	SM4004PL	DIODE		
D401	DAN222WM	DIODE ARRAY		
D402	RB521S-30-TP	DIODE		
D600	DAN217WM	DIODE		
D601	DAN217WM	DIODE		
D602	DAN217WM	DIODE		
D603	1SS372F	SCHOTTKY DIODE		
D701	B30-2365-05	LED		
D703	B30-2365-05	LED		
D704	B30-2365-05	LED		
D705	B30-2365-05	LED		
D716	RB521CM-30	DIODE		
D717	RB521CM-30	DIODE		
D718	RB521CM-30	DIODE		
D719	RB521CM-30	DIODE		
C1	CK73HB1A105K	C CAPACITOR	1uF 10V K	

△ Symbol No.	Part No.	Part Name	Description	Local	△ Symbol No.	Part No.	Part Name	Description	Local
C3	CK73JXR1H102K	C CAPACITOR	1000pF 50V K		C87	CC730CC1H060B	C CAPACITOR	6pF 50V B	
C4	CC730CC1H100F	C CAPACITOR	10pF 50V F		C88	CK73JXR1H471K	C CAPACITOR	470pF 50V K	
C5	CK73HB1A105K	C CAPACITOR	1uF 10V K		C90	CK73JXR1H471K	C CAPACITOR	470pF 50V K	
C6	CK730DX1C103K	C CAPACITOR	0.01uF 16V K		C91	CK73JXR1H471K	C CAPACITOR	470pF 50V K	
C7	CC730CC1H100F	C CAPACITOR	10pF 50V F		C92	CK73JXR1C104K	C CAPACITOR	0.1uF 16V K	
C8	CC73JCH1H101J	C CAPACITOR	100pF 50V J		C93	CC730CC1H040B	C CAPACITOR	4pF 50V B	
C9	CK730DX1C103K	C CAPACITOR	0.01uF 16V K		C95	CC73JCH1H101J	C CAPACITOR	100pF 50V J	
C10	CK73GXR1E475K	C CAPACITOR	4.7uF 25V K		C96	CK73JXR1H102K	C CAPACITOR	1000pF 50V K	
C11	CC73JCH1H101J	C CAPACITOR	100pF 50V J		C100	CC730CC1H150G	C CAPACITOR	15pF 50V G	
C12	CK73GB0J335K	C CAPACITOR	3.3uF 6.3V K		C101	CK73JXR1H122K	C CAPACITOR	1200pF 50V K	
C13	CC73JCH1H101J	C CAPACITOR	100pF 50V J		C102	CK73JXR1H102K	C CAPACITOR	1000pF 50V K	
C14	CC73JCH1H101J	C CAPACITOR	100pF 50V J		C103	CK73JXR1C104K	C CAPACITOR	0.1uF 16V K	
C15	CK730PQ1E475K	C CAPACITOR	4.7uF 25V K		C104	CK73JXR1H102K	C CAPACITOR	1000pF 50V K	
C16	CC73JCH1H101J	C CAPACITOR	100pF 50V J		C106	CK730DX1C103K	C CAPACITOR	0.01uF 16V K	
C17	CK730DX1C103K	C CAPACITOR	0.01uF 16V K		C107	CK730DX1C103K	C CAPACITOR	0.01uF 16V K	
C18	CK730DX1C103K	C CAPACITOR	0.01uF 16V K		C108	CC730CC1H390G	C CAPACITOR	39pF 50V G	
C19	CC73JCH1H101J	C CAPACITOR	100pF 50V J		C109	CC730CC1H150G	C CAPACITOR	15pF 50V G	
C20	CC73JCH1H101J	C CAPACITOR	100pF 50V J		C111	CC730EE1H200G	C CAPACITOR	20pF 50V G	
C21	CK73JXR1C104K	C CAPACITOR	0.1uF 16V K		C112	CK73JXR1H102K	C CAPACITOR	1000pF 50V K	
C22	CK73JXR1A473K	C CAPACITOR	0.047uF 10V K		C114	CK73JXR1H102K	C CAPACITOR	1000pF 50V K	
C23	CK73JXR1H102K	C CAPACITOR	1000pF 50V K		C116	CK73JXR1H102K	C CAPACITOR	1000pF 50V K	
C24	CK730DX1C103K	C CAPACITOR	0.01uF 16V K		C117	CK73JXR1H102K	C CAPACITOR	1000pF 50V K	
C26	CK730DX1C103K	C CAPACITOR	0.01uF 16V K		C118	CK73JXR1C104K	C CAPACITOR	0.1uF 16V K	
C27	CK73JXR1H681K	C CAPACITOR	680pF 50V K		C119	CC730CC1H220G	C CAPACITOR	22pF 50V G	
C28	CC73JCH1H101J	C CAPACITOR	100pF 50V J		C121	CK73HB0J225K	C CAPACITOR	2.2uF 6.3V K	
C29	CK73GXR1H105K	C CAPACITOR	1uF 50V K		C122	CC730CC1H300G	C CAPACITOR	30pF 50V G	
C30	CC730CC1H330G	C CAPACITOR	33pF 50V G		C123	CC730CC1H180G	C CAPACITOR	18pF 50V G	
C31	CC73JCH1H101J	C CAPACITOR	100pF 50V J		C126	CK73JXR1H102K	C CAPACITOR	1000pF 50V K	
C32	C93-1959-05	C CAPACITOR	0.1uF 16V		C128	CK73JXR1H102K	C CAPACITOR	1000pF 50V K	
C33	CK73JXR1H681K	C CAPACITOR	680pF 50V K		C129	CC730CC1H470G	C CAPACITOR	47pF 50V G	
C34	CK730PS1H684K	C CAPACITOR	0.68uF 50V K		C131	CC730EE1H470G	C CAPACITOR	47pF 50V G	
C36	CK730DX1C103K	C CAPACITOR	0.01uF 16V K		C132	CK73JXR1H102K	C CAPACITOR	1000pF 50V K	
C37	CC73JCH1H101J	C CAPACITOR	100pF 50V J		C133	CK73JXR1H102K	C CAPACITOR	1000pF 50V K	
C38	CC73JCH1H101J	C CAPACITOR	100pF 50V J		C134	CK73JXR1H102K	C CAPACITOR	1000pF 50V K	
C39	CK73JXR0J224K	C CAPACITOR	0.22uF 6.3V K		C139	CC730EE1H220G	C CAPACITOR	22pF 50V G	
C40	CK73JXR0J224K	C CAPACITOR	0.22uF 6.3V K		C140	CC730EE1H151J	C CAPACITOR	15pF 50V J	
C42	CC73JCH1H101J	C CAPACITOR	100pF 50V J		C145	CK73HB1A105K	C CAPACITOR	1uF 10V K	
C44	CK730PP1H154K	C CAPACITOR	0.15uF 50V K		C147	CK730M21A104K	C CAPACITOR	0.1uF 10V K	
C45	CS77AAV1D1R5M	TA E CAPACITOR	1.5uF 20V M		C148	CC730EF1H820G	C CAPACITOR	82pF 50V G	
C46	CK730MY1H683K	C CAPACITOR	0.068uF 50V K		C149	CC730EE1H102K	C CAPACITOR	1000pF 50V K	
C48	CC730AD1H104J	C CAPACITOR	0.1uF 50V J		C152	CC730EF1H820G	C CAPACITOR	82pF 50V G	
C49	CK73JXR1H471K	C CAPACITOR	470pF 50V K		C154	CC730EF1H080B	C CAPACITOR	8pF 50V B	
C50	CK73JXR1H471K	C CAPACITOR	470pF 50V K		C157	CC73JCH1H101J	C CAPACITOR	100pF 50V J	
C51	CS77BP1A4R7M	TA E CAPACITOR	4.7uF 10V M		C158	CC730EF1H090B	C CAPACITOR	9pF 50V B	
C53	CK73JXR1H102K	C CAPACITOR	1000pF 50V K		C159	CC730EF1H010B	C CAPACITOR	1pF 50V B	
C55	CK73JXR1H471K	C CAPACITOR	470pF 50V K		C160	CC730EF1H100F	C CAPACITOR	10pF 50V F	
C56	CK73JXR1H102K	C CAPACITOR	1000pF 50V K		C162	CK73JXR1C104K	C CAPACITOR	0.1uF 16V K	
C58	CC730CC1H030B	C CAPACITOR	3pF 50V B		C163	CC730EF1H050B	C CAPACITOR	5pF 50V B	
C59	CC730AZ1HR75B	C CAPACITOR	0.75pF 50V B		C164	CC730EF1H181J	C CAPACITOR	180pF 50V J	
C61	CC730CC1H080B	C CAPACITOR	8pF 50V B		C165	CK73JXR1H102K	C CAPACITOR	1000pF 50V K	
C62	CC730CC1H100F	C CAPACITOR	10pF 50V F		C166	CC730CC1H040B	C CAPACITOR	4pF 50V B	
C63	CK73HB1A105K	C CAPACITOR	1uF 10V K		C167	CC730EF1H200G	C CAPACITOR	20pF 50V G	
C67	CC730CC1H050B	C CAPACITOR	5pF 50V B		C168	CC730EF1H102K	C CAPACITOR	1000pF 50V K	
C69	CK73JXR1H471K	C CAPACITOR	470pF 50V K		C169	CC730EF1H090B	C CAPACITOR	9pF 50V B	
C70	CK73HB1C105K	C CAPACITOR	1uF 16V K		C170	CC730EF1H180G	C CAPACITOR	18pF 50V G	
C72	CC730CC1H0R5B	C CAPACITOR	0.5pF 50V B		C171	CC730EF1H200G	C CAPACITOR	20pF 50V G	
C78	CK73JXR1C104K	C CAPACITOR	0.1uF 16V K		C172	CC730EF1H060B	C CAPACITOR	6pF 50V B	
C79	CK73JXR1H471K	C CAPACITOR	470pF 50V K		C173	CC730EF1H020B	C CAPACITOR	2pF 50V B	
C80	CK73JXR1H471K	C CAPACITOR	470pF 50V K		C174	CC730EF1H220G	C CAPACITOR	22pF 50V G	
C81	CK73JXR1C104K	C CAPACITOR	0.1uF 16V K		C175	CC730EF1H080B	C CAPACITOR	8pF 50V B	
C82	CC730CC1H060B	C CAPACITOR	6pF 50V B		C176	CC730EF1H120G	C CAPACITOR	12pF 50V G	
C83	CC730CC1H060B	C CAPACITOR	6pF 50V B		C177	CC730EF1H010B	C CAPACITOR	1pF 50V B	
C84	CC730CC1H3R5B	C CAPACITOR	3.5pF 50V B		C187	CK73JXR1E222K	C CAPACITOR	2200pF 25V K	
C85	CC730CC1H110G	C CAPACITOR	11pF 50V G		C188	CK73JXR1C104K	C CAPACITOR	0.1uF 16V K	
C86	CC730CC1H0R5B	C CAPACITOR	0.5pF 50V B		C201	CC730CC1H080B	C CAPACITOR	8pF 50V B	

△ Symbol No.	Part No.	Part Name	Description	Local	△ Symbol No.	Part No.	Part Name	Description	Local
C203	CC730CC1H110G	C CAPACITOR	11pF 50V G		C309	CK73JXR1H102K	C CAPACITOR	1000pF 50V K	
C204	CC730CC1H2R5B	C CAPACITOR	2.5pF 50V B		C311	CK73JXR1H102K	C CAPACITOR	1000pF 50V K	
C206	CK73JXR1H102K	C CAPACITOR	1000pF 50V K		C313	CC73JCH1H101J	C CAPACITOR	100pF 50V J	
C207	CC730CC1H200G	C CAPACITOR	20pF 50V G		C314	CK73JXR1C104K	C CAPACITOR	0.1uF 16V K	
C209	CC730CC1H3R5B	C CAPACITOR	3.5pF 50V B		C315	CK730AY0J226M	C CAPACITOR	22uF 6.3V M	
C210	CK73JXR1H102K	C CAPACITOR	1000pF 50V K		C316	CK73JXR1H102K	C CAPACITOR	1000pF 50V K	
C211	CK73JXR1H102K	C CAPACITOR	1000pF 50V K		C317	CK73JXR1H102K	C CAPACITOR	1000pF 50V K	
C212	CK73JXR1H102K	C CAPACITOR	1000pF 50V K		C318	CK73JXR1H102K	C CAPACITOR	1000pF 50V K	
C213	CK73JXR1C104K	C CAPACITOR	0.1uF 16V K		C319	CK73JXR1H102K	C CAPACITOR	1000pF 50V K	
C214	CK73HB1A105K	C CAPACITOR	1uF 10V K		C320	CK730AU1C225K	C CAPACITOR	2.2uF 16V K	
C216	CC730EE1H102K	C CAPACITOR	1000pF 50V K		C321	CK73HB1C105K	C CAPACITOR	1uF 16V K	
C217	CK73JXR1H102K	C CAPACITOR	1000pF 50V K		C322	CK73JXR1H102K	C CAPACITOR	1000pF 50V K	
C218	CC730CC1H110G	C CAPACITOR	11pF 50V G		C323	CK73JXR1C104K	C CAPACITOR	0.1uF 16V K	
C219	CC730CC1H110G	C CAPACITOR	11pF 50V G		C324	CK73JXR1H102K	C CAPACITOR	1000pF 50V K	
C220	CK730DX1C103K	C CAPACITOR	0.01uF 16V K		C325	CK73JXR1H102K	C CAPACITOR	1000pF 50V K	
C221	CC730CC1H330G	C CAPACITOR	33pF 50V G		C326	CK73JXR0J224K	C CAPACITOR	0.22uF 6.3V K	
C222	CK730DX1C103K	C CAPACITOR	0.01uF 16V K		C327	CK73GB0J106K	C CAPACITOR	10uF 6.3V K	
C223	CK730PY1H103K	C CAPACITOR	0.01uF 50V K		C328	CK73JXR1H102K	C CAPACITOR	1000pF 50V K	
C224	CC730EE1H102K	C CAPACITOR	1000pF 50V K		C329	CK73JXR1C104K	C CAPACITOR	0.1uF 16V K	
C225	CK73JXR1H152K	C CAPACITOR	1500pF 50V K		C330	CC73JCH1H101J	C CAPACITOR	100pF 50V J	
C226	CK730DX1C103K	C CAPACITOR	0.01uF 16V K		C331	CK73JXR1H102K	C CAPACITOR	1000pF 50V K	
C227	CK73JXR1E102J	C CAPACITOR	1000pF 25V J		C332	CK73JXR1A683K	C CAPACITOR	0.068uF 10V K	
C228	CK73JXR1E102J	C CAPACITOR	1000pF 25V J		C334	CK73HB1A105K	C CAPACITOR	1uF 10V K	
C229	CK730DX1C103K	C CAPACITOR	0.01uF 16V K		C335	CK73HB1A105K	C CAPACITOR	1uF 10V K	
C230	CK730DX1C103K	C CAPACITOR	0.01uF 16V K		C336	CK73HB1A105K	C CAPACITOR	1uF 10V K	
C231	CK73JXR1H102K	C CAPACITOR	1000pF 50V K		C337	CC730EE1H102K	C CAPACITOR	1000pF 50V K	
C232	CK73JXR1H152K	C CAPACITOR	1500pF 50V K		C340	CK73JXR1H102K	C CAPACITOR	1000pF 50V K	
C234	CK730DX1C103K	C CAPACITOR	0.01uF 16V K		C342	CK73JXR1C104K	C CAPACITOR	0.1uF 16V K	
C235	CK730DX1C103K	C CAPACITOR	0.01uF 16V K		C343	CK73JXR1H102K	C CAPACITOR	1000pF 50V K	
C236	CK73HB1A105K	C CAPACITOR	1uF 10V K		C344	CK73JXR1H102K	C CAPACITOR	1000pF 50V K	
C237	CK73HB1A105K	C CAPACITOR	1uF 10V K		C345	CK73JXR1H102K	C CAPACITOR	1000pF 50V K	
C238	CK73JXR1H122K	C CAPACITOR	1200pF 50V K		C346	CK73JXR1H102K	C CAPACITOR	1000pF 50V K	
C239	CC730EE1H271G	C CAPACITOR	270pF 50V G		C400	CC730EE1H102K	C CAPACITOR	1000pF 50V K	
C240	CK73JXR1C104K	C CAPACITOR	0.1uF 16V K		C403	CK730PX1A105K	C CAPACITOR	1uF 10V K	
C241	CC730EE1H221G	C CAPACITOR	220pF 50V G		C404	CK730PX1A105K	C CAPACITOR	1uF 10V K	
C242	CC730EE1H221G	C CAPACITOR	220pF 50V G		C405	CK73JXR1H102K	C CAPACITOR	1000pF 50V K	
C244	CC730EE1H271G	C CAPACITOR	270pF 50V G		C406	CK73JXR1H102K	C CAPACITOR	1000pF 50V K	
C245	CK73JXR1H122K	C CAPACITOR	1200pF 50V K		C409	CK730PX1A105K	C CAPACITOR	1uF 10V K	
C246	CC730EE1H221G	C CAPACITOR	220pF 50V G		C410	CK730PX1A105K	C CAPACITOR	1uF 10V K	
C247	CK73JXR1C104K	C CAPACITOR	0.1uF 16V K		C411	CK730PX1A105K	C CAPACITOR	1uF 10V K	
C248	CC730EE1H221G	C CAPACITOR	220pF 50V G		C412	CK730PX1A105K	C CAPACITOR	1uF 10V K	
C251	CK73JXR1H102K	C CAPACITOR	1000pF 50V K		C413	CK73HB1A105K	C CAPACITOR	1uF 10V K	
C252	CK73JXR1H102K	C CAPACITOR	1000pF 50V K		C414	CK73GB0J106K	C CAPACITOR	10uF 6.3V K	
C253	CK73JXR1H102K	C CAPACITOR	1000pF 50V K		C415	CK73HB1A105K	C CAPACITOR	1uF 10V K	
C256	CK73JXR1A473K	C CAPACITOR	0.047uF 10V K		C416	CK73HB1A105K	C CAPACITOR	1uF 10V K	
C257	CC730CC1H020B	C CAPACITOR	2pF 50V B		C417	CK73HB1A105K	C CAPACITOR	1uF 10V K	
C258	CC730CC1H160G	C CAPACITOR	16pF 50V G		C418	CK73HB1A105K	C CAPACITOR	1uF 10V K	
C259	CC730CC1H1R5B	C CAPACITOR	1.5pF 50V B		C419	CK730DX1C103K	C CAPACITOR	0.01uF 16V K	
C261	CK73JXR1H102K	C CAPACITOR	1000pF 50V K		C421	CK730AU1C225K	C CAPACITOR	2.2uF 16V K	
C262	CC730CC1H160G	C CAPACITOR	16pF 50V G		C422	CK730AY1C106K	C CAPACITOR	10uF 16V K	
C264	CC730EE1H050B	C CAPACITOR	5pF 50V B		C423	CK730AY1C106K	C CAPACITOR	10uF 16V K	
C265	CC730CC1H040B	C CAPACITOR	4pF 50V B		C424	CK73JXR1E332K	C CAPACITOR	3300pF 25V K	
C266	CK73JXR1H102K	C CAPACITOR	1000pF 50V K		C425	CK73JXR1C104K	C CAPACITOR	0.1uF 16V K	
C268	CK73JXR1H102K	C CAPACITOR	1000pF 50V K		C427	CK730AY0J226M	C CAPACITOR	22uF 6.3V M	
C269	CK73JXR1E102J	C CAPACITOR	1000pF 25V J		C428	CK73HB1A105K	C CAPACITOR	1uF 10V K	
C270	CK73JXR1E102J	C CAPACITOR	1000pF 25V J		C429	CK73HB1A105K	C CAPACITOR	1uF 10V K	
C300	CK73JXR1H102K	C CAPACITOR	1000pF 50V K		C430	CK73HB1A105K	C CAPACITOR	1uF 10V K	
C301	CK73HB1A105K	C CAPACITOR	1uF 10V K		C500	CK73HB1A105K	C CAPACITOR	1uF 10V K	
C302	CK73JXR1H102K	C CAPACITOR	1000pF 50V K		C504	CK73JXR1C104K	C CAPACITOR	0.1uF 16V K	
C303	CK73JXR1H102K	C CAPACITOR	1000pF 50V K		C505	CK73JXR1C104K	C CAPACITOR	0.1uF 16V K	
C304	CK73JXR1H102K	C CAPACITOR	1000pF 50V K		C506	CK73JXR1H102K	C CAPACITOR	1000pF 50V K	
C305	CK73JXR1H102K	C CAPACITOR	1000pF 50V K		C508	CK73JXR1C104K	C CAPACITOR	0.1uF 16V K	
C306	CK73EXR0J476M	C CAPACITOR	47uF 6.3V M		C509	CK73JXR1H102K	C CAPACITOR	1000pF 50V K	
C307	CK73EXR0J476M	C CAPACITOR	47uF 6.3V M		C510	CK73HXR0J105K	C CAPACITOR	1uF 6.3V K	
C308	CK73JXR1A473K	C CAPACITOR	0.047uF 10V K		C511	CK730DX1C103K	C CAPACITOR	0.01uF 16V K	

△ Symbol No.	Part No.	Part Name	Description	Local	△ Symbol No.	Part No.	Part Name	Description	Local
C512	CK73HXR0J105K	C CAPACITOR	1uF 6.3V K		C643	CK73JXR1C104K	C CAPACITOR	0.1uF 16V K	
C513	CK730DX1C103K	C CAPACITOR	0.01uF 16V K		C644	CK73HB1A105K	C CAPACITOR	1uF 10V K	
C514	CK73HB0J475M	C CAPACITOR	4.7uF 6.3V M		C645	CK73JXR1C104K	C CAPACITOR	0.1uF 16V K	
C515	CK73JXR1H102K	C CAPACITOR	1000pF 50V K		C646	CK73HB1A105K	C CAPACITOR	1uF 10V K	
C516	CK73JXR1H102K	C CAPACITOR	1000pF 50V K		C647	CC73JCH1H470J	C CAPACITOR	47pF 50V J	
C517	CK73JXR1H102K	C CAPACITOR	1000pF 50V K		C648	CK73JXR1H102K	C CAPACITOR	1000pF 50V K	
C518	CK73JXR1C104K	C CAPACITOR	0.1uF 16V K		C649	CK73JXR0J474K	C CAPACITOR	0.47uF 6.3V K	
C519	CK73JXR1H102K	C CAPACITOR	1000pF 50V K		C650	CC73JCH1H101J	C CAPACITOR	100pF 50V J	
C520	CK73JXR1C104K	C CAPACITOR	0.1uF 16V K		C711	CK730DX1C103K	C CAPACITOR	0.01uF 16V K	
C521	CK73JXR1H102K	C CAPACITOR	1000pF 50V K		C712	CK73HB1A105K	C CAPACITOR	1uF 10V K	
C522	CK73HB0J225K	C CAPACITOR	2.2uF 6.3V K		C713	CK73JXR1A473K	C CAPACITOR	0.047uF 10V K	
C523	CK73JXR1H102K	C CAPACITOR	1000pF 50V K		C714	CK73JXR1A473K	C CAPACITOR	0.047uF 10V K	
C524	CK73JXR1C104K	C CAPACITOR	0.1uF 16V K		C715	CK73JXR1H102K	C CAPACITOR	1000pF 50V K	
C525	CK730DX1C103K	C CAPACITOR	0.01uF 16V K		C716	CK73JXR1H271K	C CAPACITOR	270pF 50V K	
C527	CK730DX1C103K	C CAPACITOR	0.01uF 16V K		R2	RK73HB1J223J	MG RESISTOR	22kΩ 1/16W J	
C528	CK73HB0J475M	C CAPACITOR	4.7uF 6.3V M		R3	RK73HB1J153J	MG RESISTOR	15kΩ 1/16W J	
C529	CS77FAV0J101M	TA E CAPACITOR	100uF 6.3V M		R4	RK73HB1J331J	MG RESISTOR	330Ω 1/16W J	
C531	CK73JXR1H102K	C CAPACITOR	1000pF 50V K		R5	RK73HB1J100J	MG RESISTOR	10Ω 1/16W J	
C532	CK73JXR1C104K	C CAPACITOR	0.1uF 16V K		R6	R92-3774-05	MG RESISTOR	27Ω 0.25W	
C533	CK73HB0J225K	C CAPACITOR	2.2uF 6.3V K		R7	R92-3774-05	MG RESISTOR	27Ω 0.25W	
C534	CK730DX1C103K	C CAPACITOR	0.01uF 16V K		R8	RK73HB1J100J	MG RESISTOR	10Ω 1/16W J	
C535	CK730DX1C103K	C CAPACITOR	0.01uF 16V K		R9	RK73JB1H102J	MG RESISTOR	1kΩ 1/20W J	
C536	CK730DX1C103K	C CAPACITOR	0.01uF 16V K		R10	RK73HB1J100J	MG RESISTOR	10Ω 1/16W J	
C537	CK73JXR1H102K	C CAPACITOR	1000pF 50V K		R11	RK73HB1J000J	MG RESISTOR	0Ω 1/16W J	
C538	CK730DX1C103K	C CAPACITOR	0.01uF 16V K		R12	RK73HB1J103J	MG RESISTOR	10kΩ 1/16W J	
C539	CK730DX1C103K	C CAPACITOR	0.01uF 16V K		R13	RK73HB1J103J	MG RESISTOR	10kΩ 1/16W J	
C540	CK73JXR1H102K	C CAPACITOR	1000pF 50V K		R14	RK73HB1J273J	MG RESISTOR	27kΩ 1/16W J	
C541	CK73JXR1H102K	C CAPACITOR	1000pF 50V K		R15	RK73HB1J474J	MG RESISTOR	470kΩ 1/16W J	
C600	CK73JXR1H102K	C CAPACITOR	1000pF 50V K		R16	RK73HB1J333J	MG RESISTOR	33kΩ 1/16W J	
C601	CK73GB0J106K	C CAPACITOR	10uF 6.3V K		R17	RK73GB2A220J	MG RESISTOR	22Ω 1/10W J	
C602	CK73JXR1C104K	C CAPACITOR	0.1uF 16V K		R18	RK73JB1H100J	MG RESISTOR	10Ω 1/20W J	
C603	CK73JXR1H102K	C CAPACITOR	1000pF 50V K		R20	RK73HB1J000J	MG RESISTOR	0Ω 1/16W J	
C604	CK73HB0J225K	C CAPACITOR	2.2uF 6.3V K		R21	RK73HB1J100J	MG RESISTOR	10Ω 1/16W J	
C605	CK73HB0J225K	C CAPACITOR	2.2uF 6.3V K		R22	RK73HB1J102J	MG RESISTOR	1kΩ 1/16W J	
C606	CK73JXR1A473K	C CAPACITOR	0.047uF 10V K		R23	RK73HB1J223J	MG RESISTOR	22kΩ 1/16W J	
C607	CK73JXR1E332K	C CAPACITOR	3300pF 25V K		R24	RK73HB1J124J	MG RESISTOR	120kΩ 1/16W J	
C608	CK73JXR1E272K	C CAPACITOR	2700pF 25V K		R25	RK73HB1J472J	MG RESISTOR	4.7kΩ 1/16W J	
C609	CK730DX1C103K	C CAPACITOR	0.01uF 16V K		R26	RK73HB1J104J	MG RESISTOR	100kΩ 1/16W J	
C610	CK73JXR0J474K	C CAPACITOR	0.47uF 6.3V K		R27	RK73HB1J106J	MG RESISTOR	10MΩ 1/16W J	
C612	CK73JXR0J474K	C CAPACITOR	0.47uF 6.3V K		R28	RK73HB1J470J	MG RESISTOR	47Ω 1/16W J	
C613	CK73JXR0J474K	C CAPACITOR	0.47uF 6.3V K		R29	RK73HB1J104J	MG RESISTOR	100kΩ 1/16W J	
C614	CC73JCH1H560J	C CAPACITOR	56pF 50V J		R30	RK73HB1J000J	MG RESISTOR	0Ω 1/16W J	
C615	CK73JXR1C104K	C CAPACITOR	0.1uF 16V K		R31	RK73HB1J000J	MG RESISTOR	0Ω 1/16W J	
C616	CC73JCH1H101J	C CAPACITOR	100pF 50V J		R32	RK73HB1J561J	MG RESISTOR	560Ω 1/16W J	
C617	CK73JXR1C104K	C CAPACITOR	0.1uF 16V K		R33	RK73HB1J103J	MG RESISTOR	10kΩ 1/16W J	
C618	CK73JXR1C104K	C CAPACITOR	0.1uF 16V K		R34	RK73HH1J151D	MG RESISTOR	150Ω 1/16W D	
C619	CC73JCH1H560J	C CAPACITOR	56pF 50V J		R35	RK73HB1J000J	MG RESISTOR	0Ω 1/16W J	
C620	CK73JXR1H331K	C CAPACITOR	330pF 50V K		R36	RK73HB1J000J	MG RESISTOR	0Ω 1/16W J	
C622	CK73JXR1C104K	C CAPACITOR	0.1uF 16V K		R37	RK73HH1J103D	MG RESISTOR	10kΩ 1/16W D	
C623	CK73JXR1C104K	C CAPACITOR	0.1uF 16V K		R38	RK73HH1J103D	MG RESISTOR	10kΩ 1/16W D	
C624	CK73JXR1H331K	C CAPACITOR	330pF 50V K		R39	RK73JB1H103J	MG RESISTOR	10kΩ 1/20W J	
C626	CK73JXR1H102K	C CAPACITOR	1000pF 50V K		R40	RK73JB1H473J	MG RESISTOR	47kΩ 1/20W J	
C627	CK73JXR1C104K	C CAPACITOR	0.1uF 16V K		R41	RK73HB1J104J	MG RESISTOR	100kΩ 1/16W J	
C628	CK73HB1A105K	C CAPACITOR	1uF 10V K		R42	RK73HB1J682J	MG RESISTOR	6.8kΩ 1/16W J	
C629	CK73JXR1C104K	C CAPACITOR	0.1uF 16V K		R43	RK73HB1J473J	MG RESISTOR	47kΩ 1/16W J	
C631	CC73JCH1H470J	C CAPACITOR	47pF 50V J		R44	RN73HH1J100D	MF RESISTOR	10Ω 1/16W D	
C632	CK73JXR1C104K	C CAPACITOR	0.1uF 16V K		R47	RN73H0AJ121D	MF RESISTOR	120Ω D	
C633	CK73HB1A105K	C CAPACITOR	1uF 10V K		R50	RK73HB1J000J	MG RESISTOR	0Ω 1/16W J	
C634	CK73JXR1A223K	C CAPACITOR	0.022uF 10V K		R51	RK73HB1J000J	MG RESISTOR	0Ω 1/16W J	
C635	CC73JCH1H101J	C CAPACITOR	100pF 50V J		R52	RK73HB1J103J	MG RESISTOR	10kΩ 1/16W J	
C638	CK73JXR1H102K	C CAPACITOR	1000pF 50V K		R53	RK73HB1J562J	MG RESISTOR	5.6kΩ 1/16W J	
C639	CK73JXR1H102K	C CAPACITOR	1000pF 50V K		R54	RK73HB1J151J	MG RESISTOR	150Ω 1/16W J	
C640	CK73HB1A105K	C CAPACITOR	1uF 10V K		R55	RK73HB1J151J	MG RESISTOR	150Ω 1/16W J	
C641	CK73HB0J475M	C CAPACITOR	4.7uF 6.3V M		R56	RK73HB1J101J	MG RESISTOR	100Ω 1/16W J	
C642	CK73JXR1H102K	C CAPACITOR	1000pF 50V K		R57	RK73HB1J680J	MG RESISTOR	68Ω 1/16W J	

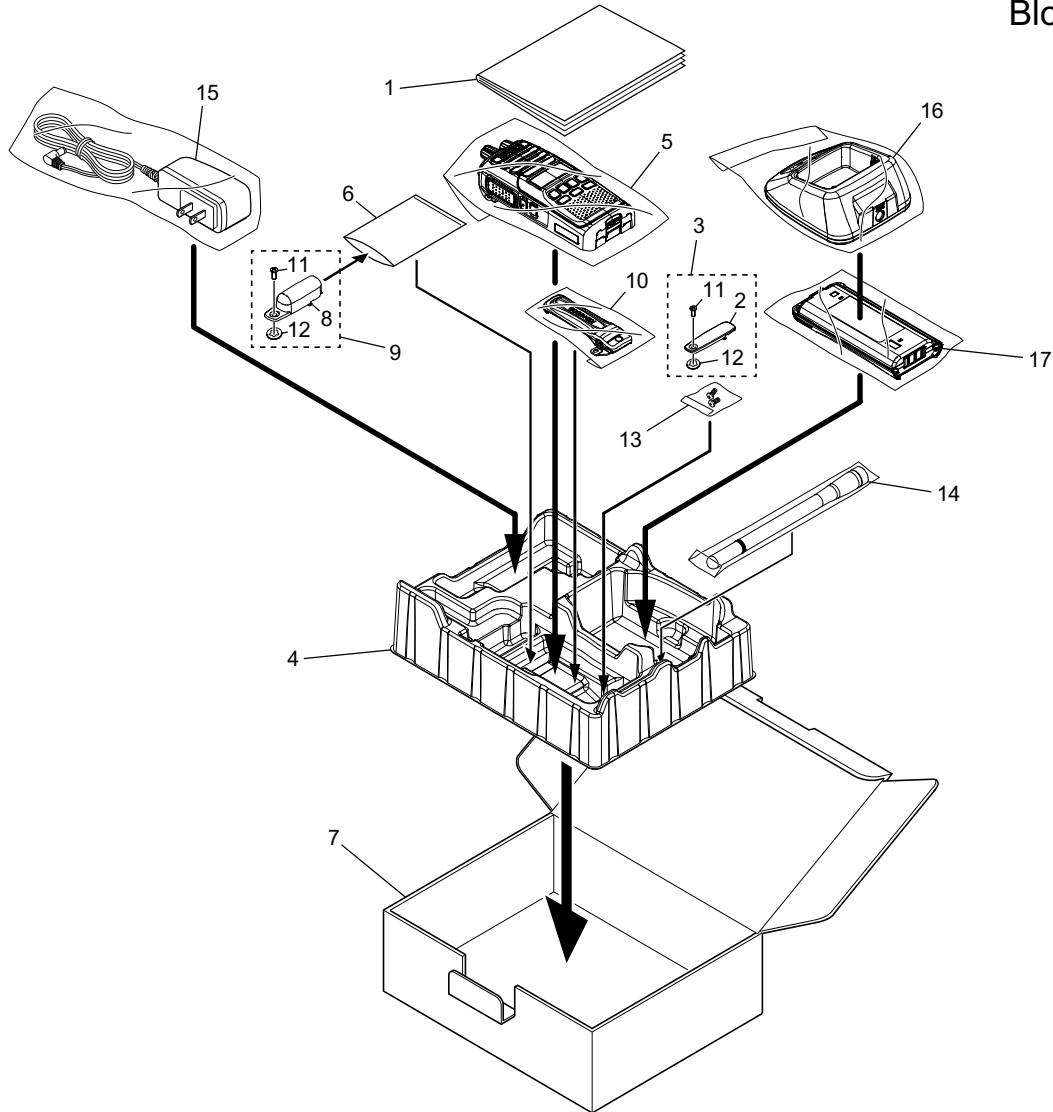
△ Symbol No.	Part No.	Part Name	Description	Local	△ Symbol No.	Part No.	Part Name	Description	Local
R58	RK73HB1J101J	MG RESISTOR	100Ω 1/16W J		R215	RK73HB1J000J	MG RESISTOR	0Ω 1/16W J	
R59	RK73HB1J000J	MG RESISTOR	0Ω 1/16W J		R216	RK73HB1J000J	MG RESISTOR	0Ω 1/16W J	
R61	RK73HB1J332J	MG RESISTOR	3.3kΩ 1/16W J		R218	RK73JB1H103J	MG RESISTOR	10kΩ 1/20W J	
R62	RK73HB1J151J	MG RESISTOR	150Ω 1/16W J		R219	RK73JB1H100J	MG RESISTOR	10Ω 1/20W J	
R63	RK73HB1J271J	MG RESISTOR	270Ω 1/16W J		R220	RK73JB1H100J	MG RESISTOR	10Ω 1/20W J	
R64	RK73HB1J822J	MG RESISTOR	8.2kΩ 1/16W J		R223	RK73HB1J150J	MG RESISTOR	15Ω 1/16W J	
R66	RK73HB1J332J	MG RESISTOR	3.3kΩ 1/16W J		R224	RK73HH1J103D	MG RESISTOR	10kΩ 1/16W D	
R67	RK73HB1J223J	MG RESISTOR	22kΩ 1/16W J		R225	RK73HH1J103D	MG RESISTOR	10kΩ 1/16W D	
R68	RK73HB1J000J	MG RESISTOR	0Ω 1/16W J		R226	RK73HH1J822D	MG RESISTOR	8.2kΩ 1/16W D	
R70	RK73HB1J563J	MG RESISTOR	56kΩ 1/16W J		R227	RK73HH1J822D	MG RESISTOR	8.2kΩ 1/16W D	
R81	RK73HB1J000J	MG RESISTOR	0Ω 1/16W J		R228	RK73HH1J683D	MG RESISTOR	68kΩ 1/16W D	
R101	RK73HH1J682D	MG RESISTOR	6.8kΩ 1/16W D		R229	RK73HH1J473D	MG RESISTOR	47kΩ 1/16W D	
R102	RK73HB1J470J	MG RESISTOR	47Ω 1/16W J		R230	RK73HB1J100J	MG RESISTOR	10Ω 1/16W J	
R103	RK73HH1J331D	MG RESISTOR	330Ω 1/16W D		R231	RK73HH1J683D	MG RESISTOR	68kΩ 1/16W D	
R104	RK73HH1J103D	MG RESISTOR	10kΩ 1/16W D		R232	RK73HH1J473D	MG RESISTOR	47kΩ 1/16W D	
R105	RK73HB1J000J	MG RESISTOR	0Ω 1/16W J		R233	RK73HH1J822D	MG RESISTOR	8.2kΩ 1/16W D	
R107	RK73HB1J000J	MG RESISTOR	0Ω 1/16W J		R234	RK73HH1J822D	MG RESISTOR	8.2kΩ 1/16W D	
R109	RK73HH1J223D	MG RESISTOR	22kΩ 1/16W D		R235	RK73HH1J103D	MG RESISTOR	10kΩ 1/16W D	
R110	RK73HH1J223D	MG RESISTOR	22kΩ 1/16W D		R236	RK73HH1J103D	MG RESISTOR	10kΩ 1/16W D	
R111	RK73HH1J124D	MG RESISTOR	120kΩ 1/16W D		R237	RK73HB1J102J	MG RESISTOR	1kΩ 1/16W J	
R112	RK73HH1J124D	MG RESISTOR	120kΩ 1/16W D		R238	RK73HH1J123D	MG RESISTOR	12kΩ 1/16W D	
R114	RK73JB1H224J	MG RESISTOR	220kΩ 1/20W J		R239	RK73HB1J100J	MG RESISTOR	10Ω 1/16W J	
R115	RK73JB1H224J	MG RESISTOR	220kΩ 1/20W J		R240	RK73HH1J473D	MG RESISTOR	47kΩ 1/16W D	
R116	RK73HH1J223D	MG RESISTOR	22kΩ 1/16W D		R241	RK73HH1J473D	MG RESISTOR	47kΩ 1/16W D	
R117	RK73HH1J102D	MG RESISTOR	1kΩ 1/16W D		R242	RK73HH1J123D	MG RESISTOR	12kΩ 1/16W D	
R118	RK73HH1J393D	MG RESISTOR	39kΩ 1/16W D		R243	RK73HB1J102J	MG RESISTOR	1kΩ 1/16W J	
R119	RK73HB1J273J	MG RESISTOR	27kΩ 1/16W J		R245	RK73HB1J000J	MG RESISTOR	0Ω 1/16W J	
R121	RK73HB1J470J	MG RESISTOR	47Ω 1/16W J		R246	RK73HB1J100J	MG RESISTOR	10Ω 1/16W J	
R122	RK73HH1J561D	MG RESISTOR	560Ω 1/16W D		R248	RK73HB1J000J	MG RESISTOR	0Ω 1/16W J	
R123	RN73HH1J100D	MF RESISTOR	10Ω 1/16W D		R249	RK73JB1H474J	MG RESISTOR	470kΩ 1/20W J	
R124	RK73HH1J561D	MG RESISTOR	560Ω 1/16W D		R252	RK73JB1H104J	MG RESISTOR	100kΩ 1/20W J	
R126	RK73EB2ER39J	MG RESISTOR	0.39Ω 1/4W J		R253	RK73JB1H100J	MG RESISTOR	10Ω 1/20W J	
R127	RK73EB2ER39J	MG RESISTOR	0.39Ω 1/4W J		R300	RK73HB1J101J	MG RESISTOR	100Ω 1/16W J	
R128	RK73HB1J680J	MG RESISTOR	68Ω 1/16W J		R301	RK73HB1J101J	MG RESISTOR	100Ω 1/16W J	
R129	RK73HH1J562D	MG RESISTOR	5.6kΩ 1/16W D		R302	RK73HB1J101J	MG RESISTOR	100Ω 1/16W J	
R130	RK73HH1J682D	MG RESISTOR	6.8kΩ 1/16W D		R303	RK73HB1J101J	MG RESISTOR	100Ω 1/16W J	
R132	RK73HH1J471D	MG RESISTOR	470Ω 1/16W D		R304	RK73HB1J151J	MG RESISTOR	150Ω 1/16W J	
R134	RK73HH1J682D	MG RESISTOR	6.8kΩ 1/16W D		R305	RK73HB1J121J	MG RESISTOR	120Ω 1/16W J	
R135	RK73JB1H101J	MG RESISTOR	100Ω 1/20W J		R306	RK73HB1J181J	MG RESISTOR	180Ω 1/16W J	
R136	RK73HB1J220J	MG RESISTOR	22Ω 1/16W J		R307	RK73HB1J102J	MG RESISTOR	1kΩ 1/16W J	
R137	RK73HH1J682D	MG RESISTOR	6.8kΩ 1/16W D		R308	RK73HB1J334J	MG RESISTOR	330kΩ 1/16W J	
R138	RK73GB2A000J	MG RESISTOR	0Ω 1/10W J		R309	RK73HB1J274J	MG RESISTOR	270kΩ 1/16W J	
R140	RN73HH1J680D	MF RESISTOR	68Ω 1/16W D		R310	RK73HB1J103J	MG RESISTOR	10kΩ 1/16W J	
R141	RN73HH1J680D	MF RESISTOR	68Ω 1/16W D		R311	RK73HB1J101J	MG RESISTOR	100Ω 1/16W J	
R142	RK73GB2A823J	MG RESISTOR	82kΩ 1/10W J		R312	RK73HB1J474J	MG RESISTOR	470kΩ 1/16W J	
R143	RK73JB1H472J	MG RESISTOR	4.7kΩ 1/20W J		R313	RK73HB1J152J	MG RESISTOR	1.5kΩ 1/16W J	
R144	RK73JB1H000J	MG RESISTOR	0Ω 1/20W J		R314	RK73HB1J561J	MG RESISTOR	560Ω 1/16W J	
R145	RK73JB1H104J	MG RESISTOR	100kΩ 1/20W J		R315	RK73HB1J473J	MG RESISTOR	47kΩ 1/16W J	
R146	RK73JB1H102J	MG RESISTOR	1kΩ 1/20W J		R316	RK73JB1H682J	MG RESISTOR	6.8kΩ 1/20W J	
R147	RK73EB2ER39J	MG RESISTOR	0.39Ω 1/4W J		R317	RK73JB1H473J	MG RESISTOR	47kΩ 1/20W J	
R148	RK73HB1J102J	MG RESISTOR	1kΩ 1/16W J		R318	RK73HB1J183J	MG RESISTOR	18kΩ 1/16W J	
R149	RK73HB1J000J	MG RESISTOR	0Ω 1/16W J		R319	RK73HB1J124J	MG RESISTOR	120kΩ 1/16W J	
R150	RK73HB1J105J	MG RESISTOR	1MΩ 1/16W J		R320	RK73JB1H101J	MG RESISTOR	100Ω 1/20W J	
R151	RK73HH1J474D	MG RESISTOR	470kΩ 1/16W D		R321	RK73HB1J331J	MG RESISTOR	330Ω 1/16W J	
R152	RK73HB1J101J	MG RESISTOR	100Ω 1/16W J		R322	RK73HB1J332J	MG RESISTOR	3.3kΩ 1/16W J	
R153	RK73HB1J101J	MG RESISTOR	100Ω 1/16W J		R323	RK73JB1H473J	MG RESISTOR	47kΩ 1/20W J	
R200	RK73HB1J000J	MG RESISTOR	0Ω 1/16W J		R324	RK73HB1J103J	MG RESISTOR	10kΩ 1/16W J	
R201	RK73HB1J682J	MG RESISTOR	6.8kΩ 1/16W J		R325	RK73HB1J823J	MG RESISTOR	82kΩ 1/16W J	
R202	RK73HB1J000J	MG RESISTOR	0Ω 1/16W J		R326	RK73JB1H473J	MG RESISTOR	47kΩ 1/20W J	
R203	RK73HB1J682J	MG RESISTOR	6.8kΩ 1/16W J		R327	RK73HB1J273J	MG RESISTOR	27kΩ 1/16W J	
R204	RK73HB1J150J	MG RESISTOR	15Ω 1/16W J		R328	RK73JB1H102J	MG RESISTOR	1kΩ 1/20W J	
R207	RK73HB1J681J	MG RESISTOR	680Ω 1/16W J		R329	RK73JB1H101J	MG RESISTOR	100Ω 1/20W J	
R211	RK73HB1J3R3J	MG RESISTOR	3.3Ω 1/16W J		R330	RK73JB1H000J	MG RESISTOR	0Ω 1/20W J	
R212	RK73HB1J3R3J	MG RESISTOR	3.3Ω 1/16W J		R331	RK73JB1H102J	MG RESISTOR	1kΩ 1/20W J	
R214	RK73HH1J103D	MG RESISTOR	10kΩ 1/16W D		R332	RK73JB1H473J	MG RESISTOR	47kΩ 1/20W J	

△ Symbol No.	Part No.	Part Name	Description	Local	△ Symbol No.	Part No.	Part Name	Description	Local
R400	RK73HB1J102J	MG RESISTOR	1kΩ 1/16W J		R609	RK73HB1J473J	MG RESISTOR	47kΩ 1/16W J	
R401	RK73JB1H104J	MG RESISTOR	100kΩ 1/20W J		R610	RK73HB1J472J	MG RESISTOR	4.7kΩ 1/16W J	
R402	RK73JB1H104J	MG RESISTOR	100kΩ 1/20W J		R611	RK73JB1H103J	MG RESISTOR	10kΩ 1/20W J	
R405	RK73JB1H104J	MG RESISTOR	100kΩ 1/20W J		R612	RK73HB1J474J	MG RESISTOR	470kΩ 1/16W J	
R406	RK73JB1H104J	MG RESISTOR	100kΩ 1/20W J		R613	RK73HB1J101J	MG RESISTOR	100Ω 1/16W J	
R407	RK73HB1J393J	MG RESISTOR	39kΩ 1/16W J		R614	RK73HB1J563J	MG RESISTOR	56kΩ 1/16W J	
R408	RK73JB1H103J	MG RESISTOR	10kΩ 1/20W J		R615	RK73HB1J104J	MG RESISTOR	100kΩ 1/16W J	
R409	RK73JB1H104J	MG RESISTOR	100kΩ 1/20W J		R616	RK73JB1H104J	MG RESISTOR	100kΩ 1/20W J	
R410	RK73HB1J103J	MG RESISTOR	10kΩ 1/16W J		R617	RK73HB1J154J	MG RESISTOR	150kΩ 1/16W J	
R412	RK73JB1H104J	MG RESISTOR	100kΩ 1/20W J		R618	RK73HB1J104J	MG RESISTOR	100kΩ 1/16W J	
R413	RK73JB1H104J	MG RESISTOR	100kΩ 1/20W J		R619	RK73HB1J000J	MG RESISTOR	0Ω 1/16W J	
R414	RK73HB1J000J	MG RESISTOR	0Ω 1/16W J		R620	RK73HB1J101J	MG RESISTOR	100Ω 1/16W J	
R415	RK73FB2B000J	MG RESISTOR	0Ω 1/8W J		R621	RK73HB1J101J	MG RESISTOR	100Ω 1/16W J	
R416	RK73HH1J103D	MG RESISTOR	10kΩ 1/16W D		R622	RK73HB1J101J	MG RESISTOR	100Ω 1/16W J	
R417	RK73HH1J333D	MG RESISTOR	33kΩ 1/16W D		R623	RK73HB1J100J	MG RESISTOR	10Ω 1/16W J	
R500	RK73JB1H000J	MG RESISTOR	0Ω 1/20W J		R624	RK73HB1J104J	MG RESISTOR	100kΩ 1/16W J	
R501	RK73HB1J000J	MG RESISTOR	0Ω 1/16W J		R625	RK73HB1J104J	MG RESISTOR	100kΩ 1/16W J	
R502	RK73JB1H101J	MG RESISTOR	100Ω 1/20W J		R626	RK73HB1J101J	MG RESISTOR	100Ω 1/16W J	
R503	RK73HB1J104J	MG RESISTOR	100kΩ 1/16W J		R627	RK73HB1J104J	MG RESISTOR	100kΩ 1/16W J	
R504	RK73JB1H103J	MG RESISTOR	10kΩ 1/20W J		R628	RK73HB1J100J	MG RESISTOR	10Ω 1/16W J	
R505	RK73JB1H102J	MG RESISTOR	1kΩ 1/20W J		R629	RK73HH1J473D	MG RESISTOR	47kΩ 1/16W D	
R506	RK73JB1H473J	MG RESISTOR	47kΩ 1/20W J		R630	RK73HH1J473D	MG RESISTOR	47kΩ 1/16W D	
R507	RK73JB1H102J	MG RESISTOR	1kΩ 1/20W J		R631	RK73HB1J104J	MG RESISTOR	100kΩ 1/16W J	
R509	RK73JB1H104J	MG RESISTOR	100kΩ 1/20W J		R632	RK73HB1J000J	MG RESISTOR	0Ω 1/16W J	
R510	RK73JB1H103J	MG RESISTOR	10kΩ 1/20W J		R633	RK73HB1J100J	MG RESISTOR	10Ω 1/16W J	
R511	RK73JB1H104J	MG RESISTOR	100kΩ 1/20W J		R634	RK73HB1J101J	MG RESISTOR	100Ω 1/16W J	
R512	RK73JB1H473J	MG RESISTOR	47kΩ 1/20W J		R635	RK73HB1J000J	MG RESISTOR	0Ω 1/16W J	
R513	RK73JB1H000J	MG RESISTOR	0Ω 1/20W J		R636	RK73JB1H473J	MG RESISTOR	47kΩ 1/20W J	
R514	RK73JB1H103J	MG RESISTOR	10kΩ 1/20W J		R637	RK73HB1J102J	MG RESISTOR	1kΩ 1/16W J	
R515	RK73JB1H103J	MG RESISTOR	10kΩ 1/20W J		R638	RK73HB1J100J	MG RESISTOR	10Ω 1/16W J	
R516	RK73JB1H103J	MG RESISTOR	10kΩ 1/20W J		R639	RK73HB1J102J	MG RESISTOR	1kΩ 1/16W J	
R518	RK73JB1H104J	MG RESISTOR	100kΩ 1/20W J		R640	RK73HB1J104J	MG RESISTOR	100kΩ 1/16W J	
R520	RK73JB1H000J	MG RESISTOR	0Ω 1/20W J		R641	RK73JB1H473J	MG RESISTOR	47kΩ 1/20W J	
R521	RK73JB1H474J	MG RESISTOR	470kΩ 1/20W J		R643	RK73HB1J103J	MG RESISTOR	10kΩ 1/16W J	
R522	RK73JB1H820J	MG RESISTOR	82Ω 1/20W J		R644	RK73HB1J103J	MG RESISTOR	10kΩ 1/16W J	
R523	RK73JB1H101J	MG RESISTOR	100Ω 1/20W J		R645	RK73HB1J153J	MG RESISTOR	15kΩ 1/16W J	
R524	RK73JB1H100J	MG RESISTOR	10Ω 1/20W J		R646	RK73HB1J100J	MG RESISTOR	10Ω 1/16W J	
R525	RK73JB1H000J	MG RESISTOR	0Ω 1/20W J		R647	RK73HB1J101J	MG RESISTOR	100Ω 1/16W J	
R526	RK73HB1J000J	MG RESISTOR	0Ω 1/16W J		R648	RK73HB1J271J	MG RESISTOR	270Ω 1/16W J	
R527	RK73HB1J000J	MG RESISTOR	0Ω 1/16W J		R649	RK73JB1H103J	MG RESISTOR	10kΩ 1/20W J	
R528	RK73JB1H103J	MG RESISTOR	10kΩ 1/20W J		R650	RK73HB1J105J	MG RESISTOR	1MΩ 1/16W J	
R530	RK73HB1J000J	MG RESISTOR	0Ω 1/16W J		R651	RK73JB1H104J	MG RESISTOR	100kΩ 1/20W J	
R531	RK73HB1J000J	MG RESISTOR	0Ω 1/16W J		R700	RK73HB1J000J	MG RESISTOR	0Ω 1/16W J	
R532	RK73HB1J000J	MG RESISTOR	0Ω 1/16W J		R701	RK73JB1H472J	MG RESISTOR	4.7kΩ 1/20W J	
R533	RK73HB1J000J	MG RESISTOR	0Ω 1/16W J		R702	RK73HB1J271J	MG RESISTOR	270Ω 1/16W J	
R534	RK73HB1J000J	MG RESISTOR	0Ω 1/16W J		R704	RK73HB1J271J	MG RESISTOR	270Ω 1/16W J	
R535	RK73HB1J000J	MG RESISTOR	0Ω 1/16W J		R705	RK73HB1J472J	MG RESISTOR	4.7kΩ 1/16W J	
R536	RK73HB1J000J	MG RESISTOR	0Ω 1/16W J		R706	RK73HB1J472J	MG RESISTOR	4.7kΩ 1/16W J	
R537	RK73HB1J000J	MG RESISTOR	0Ω 1/16W J		R718	RK73JB1H103J	MG RESISTOR	10kΩ 1/20W J	
R538	RK73HB1J000J	MG RESISTOR	0Ω 1/16W J		R719	RK73JB1H224J	MG RESISTOR	220kΩ 1/20W J	
R539	RK73HB1J000J	MG RESISTOR	0Ω 1/16W J		R721	RK73JB1H103J	MG RESISTOR	10kΩ 1/20W J	
R540	RK73HB1J000J	MG RESISTOR	0Ω 1/16W J		R722	RK73JB1H000J	MG RESISTOR	0Ω 1/20W J	
R541	RK73HB1J000J	MG RESISTOR	0Ω 1/16W J		R723	RK73JB1H103J	MG RESISTOR	10kΩ 1/20W J	
R542	RK73HB1J000J	MG RESISTOR	0Ω 1/16W J		R724	RK73JB1H103J	MG RESISTOR	10kΩ 1/20W J	
R543	RK73HB1J000J	MG RESISTOR	0Ω 1/16W J		R725	RK73JB1H103J	MG RESISTOR	10kΩ 1/20W J	
R545	RK73JB1H000J	MG RESISTOR	0Ω 1/20W J		R726	RK73JB1H103J	MG RESISTOR	10kΩ 1/20W J	
R600	RK73JB1H471J	MG RESISTOR	470Ω 1/20W J		R727	RK73JB1H103J	MG RESISTOR	10kΩ 1/20W J	
R601	RK73HB1J182J	MG RESISTOR	1.8kΩ 1/16W J		R728	RK73JB1H103J	MG RESISTOR	10kΩ 1/20W J	
R602	RK73JB1H103J	MG RESISTOR	10kΩ 1/20W J		R729	RK73JB1H103J	MG RESISTOR	10kΩ 1/20W J	
R603	RK73JB1H102J	MG RESISTOR	1kΩ 1/20W J		R730	RK73JB1H103J	MG RESISTOR	10kΩ 1/20W J	
R604	RK73JB1H683J	MG RESISTOR	68kΩ 1/20W J		R731	RK73JB1H103J	MG RESISTOR	10kΩ 1/20W J	
R605	RK73JB1H683J	MG RESISTOR	68kΩ 1/20W J		R732	RK73JB1H103J	MG RESISTOR	10kΩ 1/20W J	
R606	RK73JB1H103J	MG RESISTOR	10kΩ 1/20W J		R733	RK73JB1H103J	MG RESISTOR	10kΩ 1/20W J	
R607	RK73JB1H103J	MG RESISTOR	10kΩ 1/20W J		R734	RK73JB1H103J	MG RESISTOR	10kΩ 1/20W J	
R608	RK73HB1J272J	MG RESISTOR	2.7kΩ 1/16W J		R735	RK73JB1H103J	MG RESISTOR	10kΩ 1/20W J	

△ Symbol No.	Part No.	Part Name	Description	Local	△ Symbol No.	Part No.	Part Name	Description	Local
R736	RK73JB1H103J	MG RESISTOR	10kΩ 1/20W J		L601	LB73H0AV-003	CHIP FERRITE		
L1	LB73H0AV-001	CHIP FERRITE			L602	LB73H0AV-003	CHIP FERRITE		
L2	LK73G0BB4R7K	M.CHIP INDUCTOR			L603	LB73H0AV-003	CHIP FERRITE		
L3	LB73H0AV-002	CHIP FERRITE			L604	LB73H0AV-003	CHIP FERRITE		
L4	LB73G0BJ-001	CHIP FERRITE			L700	LB73H0AV-002	CHIP FERRITE		
L5	L41-1502-70	CHIP INDUCTOR			CN1	E23-1278-05	TERMINAL		
L6	LB73H0AY-004	CHIP FERRITE			CN2	E23-1278-05	TERMINAL		
L7	L41-2785-53	CHIP INDUCTOR			CN3	E23-1278-05	TERMINAL		
L8	L41-2785-53	CHIP INDUCTOR			CN4	E23-1278-05	TERMINAL		
L9	L41-2785-53	CHIP INDUCTOR			CN5	E23-1278-05	TERMINAL		
L10	LB73H0AY-004	CHIP FERRITE			CN6	E23-1278-05	TERMINAL		
L11	L41-2785-53	CHIP INDUCTOR			CN7	E23-1278-05	TERMINAL		
L13	L41-2785-53	CHIP INDUCTOR			CN8	E23-1278-05	TERMINAL		
L14	L41-3378-08	CHIP INDUCTOR			CN9	E23-1278-05	TERMINAL		
L15	LB73H0AY-004	CHIP FERRITE			CN10	E23-1278-05	TERMINAL		
L16	L41-2785-53	CHIP INDUCTOR			CN300	E40-6922-05	F.C.CONNECTOR		
L17	L41-2785-53	CHIP INDUCTOR			CP1	RK74HA1J101J	MG RESISTOR	100Ω 1/16W J	
L18	LK73H0AM47NJ	M.CHIP INDUCTOR	47nH		CP200	RK74HA1J474J	MG RESISTOR	470kΩ 1/16W J	
L19	LK73H0AM27NJ	M.CHIP INDUCTOR	27nH		CP201	RK74HB1J101J	NET RESISTOR	100Ω 1/16W J	
L20	LK73H0AM27NJ	M.CHIP INDUCTOR	27nH		CP202	RK74HA1J104J	MG RESISTOR	100kΩ 1/16W J	
L21	LB73H0AY-004	CHIP FERRITE			CP203	RK74HA1J104J	MG RESISTOR	100kΩ 1/16W J	
L22	LK73H0AM56NJ	M.CHIP INDUCTOR			CP300	RK74HA1J103J	MG RESISTOR	10kΩ 1/16W J	
L100	LK73H0BCR10J	M.CHIP INDUCTOR			CP301	RK74HA1J103J	MG RESISTOR	10kΩ 1/16W J	
L102	LK73H0AM68NJ	M.CHIP INDUCTOR	68nH		CP401	RK74HA1J474J	MG RESISTOR	470kΩ 1/16W J	
L104	LK73H0AM56NJ	M.CHIP INDUCTOR			CP500	RK74HA1J473J	MG RESISTOR	47kΩ 1/16W J	
L105	LK73H0BCR10J	M.CHIP INDUCTOR			CP501	RK74HA1J473J	MG RESISTOR	47kΩ 1/16W J	
L106	LB73H0AV-002	CHIP FERRITE			CP600	RK74HB1J101J	NET RESISTOR	100Ω 1/16W J	
L107	LK73H0BC39NJ	M.CHIP INDUCTOR			CP601	RK74HA1J474J	MG RESISTOR	470kΩ 1/16W J	
L108	LR79G0GK47NG	CHIP INDUCTOR			CP701	RK74HB1J471J	MG RESISTOR	470Ω 1/16W J	
L109	LB73F0AV-002	CHIP FERRITE			CP702	RK74HB1J471J	MG RESISTOR	470Ω 1/16W J	
L112	LB73F0AV-002	CHIP FERRITE			CP703	RK74HB1J103J	NET RESISTOR	10kΩ 1/16W J	
L113	LR79Z0DD43N6J	CHIP INDUCTOR			CP704	RK74HB1J103J	NET RESISTOR	10kΩ 1/16W J	
L115	L41-2295-39	CHIP INDUCTOR			CP705	RK74HB1J103J	NET RESISTOR	10kΩ 1/16W J	
L116	LR79Z0DC45N5J	CHIP INDUCTOR			CP706	RK74HB1J103J	NET RESISTOR	10kΩ 1/16W J	
L117	LR79Z0DD27N4J	CHIP INDUCTOR			CP709	RK74HB1J103J	NET RESISTOR	10kΩ 1/16W J	
L118	LR79Z0DD43N6J	CHIP INDUCTOR			CP711	RK74HB1J103J	NET RESISTOR	10kΩ 1/16W J	
L119	LR79Z0DD37N7J	CHIP INDUCTOR			CP712	RK74HB1J101J	NET RESISTOR	100Ω 1/16W J	
L120	LR79Z0DD12N2J	CHIP INDUCTOR			E1	-----	SHIELDING CASE	Note 2	
L121	LR79Z0DD21N9J	CHIP INDUCTOR			F300	F53-0498-05	FUSE	1.0A	
L122	LR79Z0DD27N4J	CHIP INDUCTOR			F400	FZA10BQ-3R15	FUSE (CC)	3.15A	
L201	L41-6878-14	CHIP INDUCTOR			J300	E1B-0021-10	PHONE JACK		
L202	L41-6878-14	CHIP INDUCTOR			S301	S70-0414-05	TACTILE PUSH SW		
L203	LK73H0AMR27J	M.CHIP INDUCTOR			S302	S7A-0036-00	TACTILE PUSH SW		
L204	L41-6878-14	CHIP INDUCTOR			S303	S7A-0036-00	TACTILE PUSH SW		
L206	L41-6878-14	CHIP INDUCTOR			S701	S70-0519-05	TACTILE PUSH SW		
L207	LK73H0AMR22J	M.CHIP INDUCTOR			S702	S70-0519-05	TACTILE PUSH SW		
L208	LB73H0AV-002	CHIP FERRITE			S703	S70-0519-05	TACTILE PUSH SW		
L209	LK73H0AMR10J	M.CHIP INDUCTOR	0.1uH		S704	S70-0519-05	TACTILE PUSH SW		
L210	LK73H0AMR18J	M.CHIP INDUCTOR			S705	S70-0519-05	TACTILE PUSH SW		
L211	LB73H0AV-001	CHIP FERRITE			S706	S70-0519-05	TACTILE PUSH SW		
L212	LB73H0AV-001	CHIP FERRITE			S707	S70-0519-05	TACTILE PUSH SW		
L213	LB73H0AV-001	CHIP FERRITE			TH1	NCP15WF104F03	N THERMISTOR		
L214	LB73H0AV-001	CHIP FERRITE			TH100	NCP15WF104F03	N THERMISTOR		
L400	LB73F0DD-001	CHIP FERRITE			X1	L7H-0110-00	TCXO		
L401	LB73H0AV-001	CHIP FERRITE			X500	L7H-0111-00	TCXO		
L402	LB73H0AV-001	CHIP FERRITE							
L403	LB73G0CQ-001	CHIP FERRITE							
L404	LB73G0CQ-001	CHIP FERRITE							
L405	LK73P0CF2R2M	M.CHIP INDUCTOR							
L406	LB73G0CQ-001	CHIP FERRITE							
L407	LB73H0AV-001	CHIP FERRITE							
L408	LB73H0AV-001	CHIP FERRITE							
L500	LB73H0AV-002	CHIP FERRITE							
L501	LB73H0AV-002	CHIP FERRITE							
L600	LB73H0AV-003	CHIP FERRITE							

# Packing materials and accessories parts list (NX-1200 series)

Block No.M3MM



## Packing and accessories

Block No. [M][3][M][M]

Symbol No.	Part No.	Part Name	Description	Local
1	B5A-3224-00	INST.MANUAL	E,F,S	
2	B0K-0116-00	CAP		
3	B0K-0117-00	CAP ASSY	2PIN	
4	-----	PACKING FIXTURE	ACC	
5	-----	PROTECTION BAG	RADIO	
6	-----	PROTECTION BAG	HOLDER	
7	H5A-1914-00	ITEM CARTON	ACC	
8	J1K-0817-00	HOLDER		
9	J1K-0818-00	HOLDER ASSY	2PIN	
10	J29-0734-25	HOOK ASSY		
11	N0Z-0292-00	BI.HEAD M.SCREW	(x2)	
12	N1Y-0054-00	INS.WASHER	(x2)	
13	N99-2089-05	SCREW SET		
14	T90-1036-15	HELICAL ANTENNA	KRA-26M	
15	W08-1247-25	AC ADAPTER (CC)	K	
16	W08-1249-65	CHARGER (CC)		
17	-----	LI-ION BAT.P(CC)	KNB-45L	