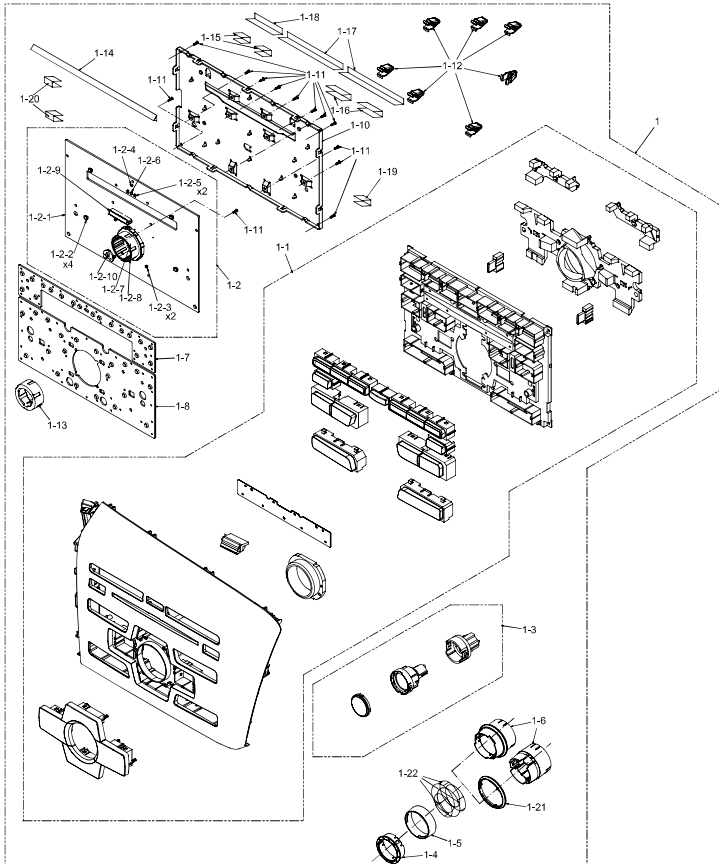


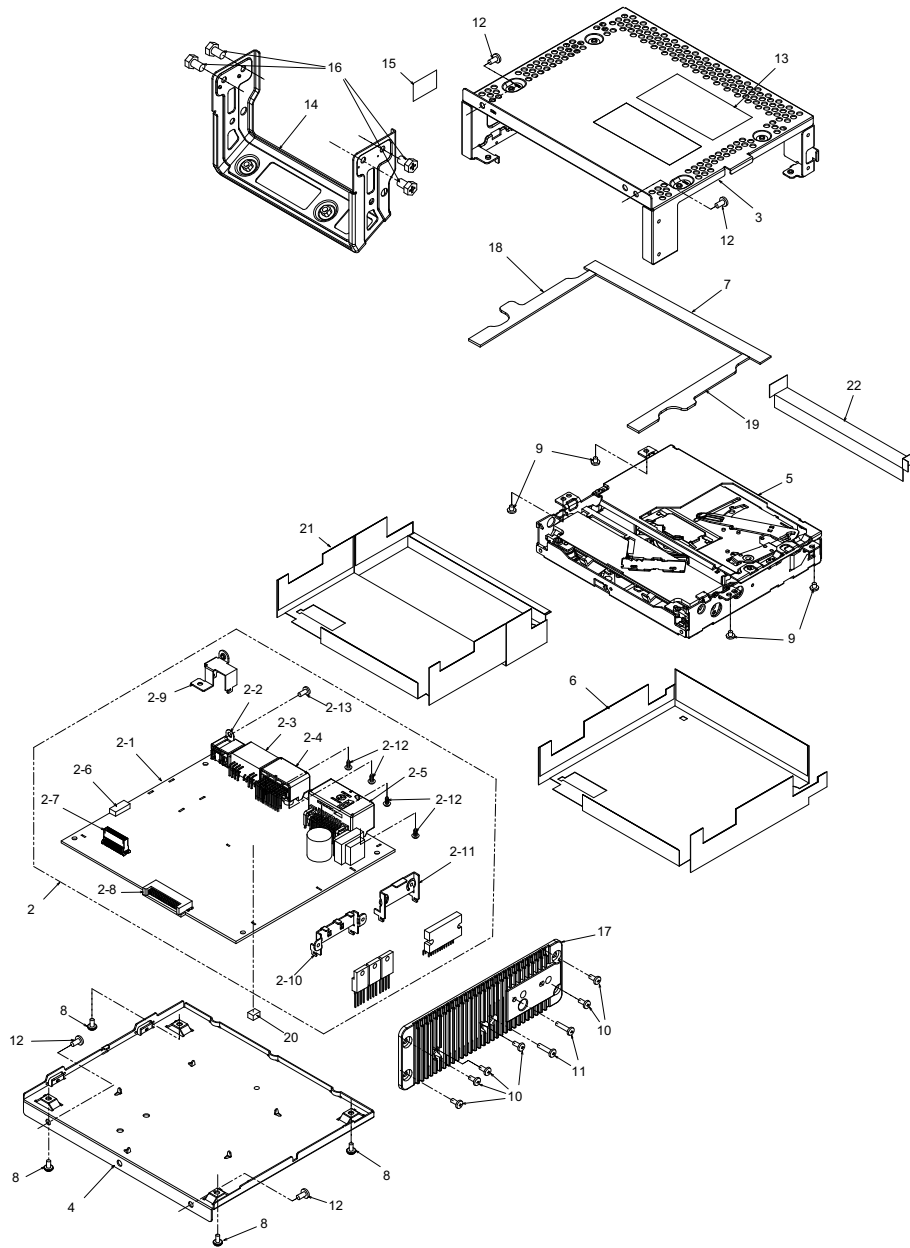
# EXPLODED VIEW/PARTS LIST

Escutcheon section



NO.	PART NO.	DESCRIPTION	Q'TY
1	-----	PANEL-ASSY	1
1-1	940-8593-18	ESCUTCHEON-ASSY	1
1-2	-----	SW+PWB-ASSY	1
1-2-1	-----	SWITCH PWB	1
1-2-2	001-7110-94	DIODE	4
1-2-3	001-7134-55	DIODE	2
1-2-4	001-7115-92	DIODE	1
1-2-5	001-7142-90	DIODE	2
1-2-6	001-7134-61	DIODE	1
1-2-7	001-7134-62	DIODE	1
1-2-8	016-7006-02	VR WSHAFT	1
1-2-9	074-3014-76	OUTLET SOCKET(26pin)	1
1-2-10	345-6498-00	RUBBER SWITCH(C)	1
1-3	948-4001-01	BUTTON ASSY	1
1-4	383-0819-00	KNOB TOP	1
1-5	345-6499-00	KNOB GRIP	1
1-6	380-5815-01	KNOB	1
1-7	345-6496-00	RUBBER SWITCH(A)	1
1-8	345-6497-01	RUBBER SWITCH(B)	1
(1-9)	-	-	-
1-10	331-5076-00	ES PLATE ASSY	1
1-11	716-0778-52	SPECIAL SCREW	13
1-12	335-7317-00	CLIP	7
1-13	335-9002-00	SPACER	1
1-14	347-8889-00	CUSHION SHEET	1
1-15	347-8890-00	CUSHION SHEET	2
1-16	347-8891-00	CUSHION SHEET	2
1-17	347-8892-00	CUSHION SHEET	2
1-18	347-8893-00	CUSHION SHEET	1
1-19	347-8894-00	CUSHION SHEET	1
1-20	347-8895-00	CUSHION SHEET	2
1-21	383-0821-00	KNOB BASE	1
1-22	347-8976-00	PAPER PART	3

Main section



NO.	PART NO.	DESCRIPTION	Q'TY
(1)	-	-	-
2	-----	MAIN-PWB-ASSY	1
2-1	-----	MAIN PWB	1
2-2	092-2238-00	ANT-RECEPT(CE2)	1
2-3	074-1168-14	OUTLET SOCKET(14pin)	1
2-4	074-4017-20	OUTLET SOCKET(20pin)	1
2-5	074-4026-24	OUTLET SOCKET(24pin)	1
2-6	076-0478-58	PLUG(8pin)	1
2-7	076-3028-40	PLUG(40pin)	1
2-8	076-3011-76	PLUG(26pin)	1
2-9	331-5070-00	ANT-HOLDER	1
2-10	331-5071-00	TR-HOLDER	1
2-11	331-3459-00	IC HOLDER	1
2-12	778-3005-00	TAP SCREW	4
2-13	714-2606-8B	MACHINE SCREW	1
3	310-1955-01	UPPER CASE	1
4	311-2024-00	LOWER CASE	1
5	929-5033-80	CD-MECH-MODULE	1
6	-----	(MECH COVER) *UNUSED	-
7	-----	(CUSHION SHEET) *UNUSED	-
8	716-0878-50	SPECIAL SCREW	4
9	714-2604-8B	MACHINE SCREW	4
10	714-2608-8B	MACHINE SCREW	6
11	780-2612-01	SPECIAL-M-SCREW	2
12	714-3004-8B	MACHINE SCREW	4
13	276-0866-05 276-0866-12	SETPLATE(FOR PH3312CA) SETPLATE(FOR PH3429CA)	1 1
14	300-8288-00	MTG-BRKT	1
15	347-8899-00	SHADE	1
16	782-5008-01	SPECIAL-H-BOLT	4
17	313-2125-00	HEAT SINK	1
18	-----	(CUSHION SHEET) *UNUSED	-
19	-----	(CUSHION SHEET) *UNUSED	-
20	345-6341-00	GASKET	1
21	347-8981-00	MECH CVR	1
22	347-8982-00	MECH CVR	1

# ELECTRICAL PARTS LIST

## MAIN PWB(B1) section

REF No.	PART No.	DESCRIPTION	REF No.	PART No.	DESCRIPTION	REF No.	PART No.	DESCRIPTION
ANT101	092-0702-50	ANT-RECEPT	C214	045-1011-50	100pFJ CH	C302	-----	(UNUSED)
ANT401	092-2238-00	ANT-RECEPT	C215	045-1011-50	100pFJ CH	C303	165-4753-55	35V 4.7uF
C101	-----	(UNUSED)	C216	045-1011-50	100pFJ CH	C305	046-1042-78	16V 0.1uF
C102	-----	(UNUSED)	C217	045-1011-50	100pFJ CH	C306	046-1032-78	16V 0.01uF
C103	-----	(UNUSED)	C218	-----	(UNUSED)	C307	046-1032-78	16V 0.01uF
C104	-----	(UNUSED)	C219	-----	(UNUSED)	C308	165-4753-55	35V 4.7uF
C105	-----	(UNUSED)	C220	-----	(UNUSED)	C309	046-1042-78	16V 0.1uF
C106	-----	(UNUSED)	C221	-----	(UNUSED)	C310	042-1737-90	6.3V 1000uF M
C107	-----	(UNUSED)	C222	045-1011-50	100pFJ CH	C311	045-6097-50	6 +/-0.5pF CH
C108	-----	(UNUSED)	C223	045-1011-50	100pFJ CH	C312	042-1737-90	6.3V 1000uF M
C109	166-1201-50	12pF CH	C224	045-1011-50	100pFJ CH	C313	045-1201-50	12pFJ CH
C110	-----	(UNUSED)	C225	045-1011-50	100pFJ CH	C314	046-6822-58	6800pF K B
C111	-----	(UNUSED)	C226	045-1011-50	100pFJ CH	C315	046-1042-78	16V 0.1uF
C112	045-2201-50	22pFJ CH	C227	046-1042-78	16V 0.1uF	C316	046-1032-78	16V 0.01uF
C113	046-1022-58	50V 1000pF	C228	046-1042-78	16V 0.1uF	C317	046-1042-78	16V 0.1uF
C114	045-4796-50	4.7pFJ CH	C229	046-2232-78	0.022uF K B	C318	168-1032-55	0.01uF K
C115	046-1022-58	50V 1000pF	C230	046-2232-78	0.022uF K B	C319	165-1063-35	16V 10uF
C116	045-1501-50	15pFJ CH	C231	046-2232-78	0.022uF K B	C320	-----	(UNUSED)
C117	-----	(UNUSED)	C232	046-2232-78	0.022uF K B	C321	045-1011-50	100pFJ CH
C118	-----	(UNUSED)	C233	046-1042-78	16V 0.1uF	C322	045-1011-50	100pFJ CH
C120	045-3901-50	39pFJ CH	C234	046-1042-78	16V 0.1uF	C323	045-1011-50	100pFJ CH
C121	045-1011-50	100pFJ CH	C235	046-1042-78	16V 0.1uF	C324	045-1211-50	120pFJ CH
C122	045-1211-50	120pFJ CH	C236	045-1007-50	10 +/-0.5pF CH	C325	046-1032-78	16V 0.01uF
C123	046-3922-58	3900pF K B	C237	-----	(UNUSED)	C326	046-1032-78	16V 0.01uF
C124	046-1022-58	50V 1000pF	C238	046-1042-78	16V 0.1uF	C327	-----	(UNUSED)
C125	046-1042-78	16V 0.1uF	C239	045-1007-50	10 +/-0.5pF CH	C328	-----	(UNUSED)
C126	168-3342-58	0.33uF K	C240	165-4753-55	35V 4.7uF	C329	-----	(UNUSED)
C127	046-1032-78	16V 0.01uF	C241	-----	(UNUSED)	C330	-----	(UNUSED)
C128	046-1032-78	16V 0.01uF	C242	165-2263-15	6.3V 22uF	C336	046-1032-78	16V 0.01uF
C129	045-3096-50	3 +/-0.25pF CH	C243	046-4732-78	16V 0.047uF	C337	-----	(UNUSED)
C130	046-3322-58	3300pF K B	C244	-----	(UNUSED)	C402	-----	(UNUSED)
C131	046-2232-78	0.022uF K B	C245	042-1769-90	6.3V 220uF M	C403	-----	(UNUSED)
C132	046-1022-58	50V 1000pF	C246	046-1042-78	16V 0.1uF	C408	-----	(UNUSED)
C133	046-2232-78	0.022uF K B	C247	046-1042-78	16V 0.1uF	C412	-----	(UNUSED)
C134	165-4763-35	16V 47uF	C248	-----	(UNUSED)	C413	-----	(UNUSED)
C135	168-2242-58	0.22uF K	C249	165-4753-55	35V 4.7uF	C414	-----	(UNUSED)
C136	046-2232-78	0.022uF K B	C250	046-1042-78	16V 0.1uF	C415	-----	(UNUSED)
C137	046-2232-78	0.022uF K B	C251	046-1042-78	16V 0.1uF	C416	-----	(UNUSED)
C138	046-2232-78	0.022uF K B	C252	042-1769-90	6.3V 220uF M	C417	-----	(UNUSED)
C139	046-2232-78	0.022uF K B	C253	046-1042-78	16V 0.1uF	C418	-----	(UNUSED)
C140	-----	(UNUSED)	C254	043-0552-90	6.3V 47uF M	C419	-----	(UNUSED)
C141	-----	(UNUSED)	C255	046-1042-78	16V 0.1uF	C422	-----	(UNUSED)
C142	-----	(UNUSED)	C256	-----	(UNUSED)	C423	-----	(UNUSED)
C143	-----	(UNUSED)	C257	-----	(UNUSED)	C424	-----	(UNUSED)
C144	-----	(UNUSED)	C258	168-1052-78	16V 1uF K	C425	-----	(UNUSED)
C145	-----	(UNUSED)	C259	046-1042-78	16V 0.1uF	C426	-----	(UNUSED)
C146	-----	(UNUSED)	C260	046-1042-78	16V 0.1uF	C427	-----	(UNUSED)
C147	-----	(UNUSED)	C261	043-0552-90	6.3V 47uF M	C428	-----	(UNUSED)
C148	-----	(UNUSED)	C262	046-1042-78	16V 0.1uF	C429	-----	(UNUSED)
C149	-----	(UNUSED)	C263	046-1042-78	16V 0.1uF	C430	-----	(UNUSED)
C150	-----	(UNUSED)	C264	046-1042-78	16V 0.1uF	C431	-----	(UNUSED)
C151	165-1063-35	16V 10uF	C265	045-4711-50	470pFJ CH	C432	-----	(UNUSED)
C152	-----	(UNUSED)	C266	046-1042-78	16V 0.1uF	C433	-----	(UNUSED)
C153	-----	(UNUSED)	C267	-----	(UNUSED)	C434	-----	(UNUSED)
C154	168-3342-58	0.33uF K	C268	046-1042-78	16V 0.1uF	C435	-----	(UNUSED)
C155	-----	(UNUSED)	C269	046-3322-58	3300pF K B	C436	-----	(UNUSED)
C156	-----	(UNUSED)	C270	-----	(UNUSED)	C437	-----	(UNUSED)
C201	043-0548-50	10V 2.2uF	C271	046-3322-58	3300pF K B	C438	-----	(UNUSED)
C202	043-0548-50	10V 2.2uF	C272	046-3322-58	3300pF K B	C439	-----	(UNUSED)
C203	043-0548-50	10V 2.2uF	C273	046-3322-58	3300pF K B	C440	-----	(UNUSED)
C204	043-0548-50	10V 2.2uF	C274	-----	(UNUSED)	C441	-----	(UNUSED)
C205	043-0548-50	10V 2.2uF	C275	042-0643-58	6.3V 330uF	C442	-----	(UNUSED)
C206	043-0548-50	10V 2.2uF	C276	046-1042-78	16V 0.1uF	C443	-----	(UNUSED)
C207	043-0548-50	10V 2.2uF	C277	-----	(UNUSED)	C444	-----	(UNUSED)
C208	043-0548-50	10V 2.2uF	C278	046-1522-58	1500pF K B	C445	-----	(UNUSED)
C209	043-0548-50	10V 2.2uF	C279	046-1522-58	1500pF K B	C446	-----	(UNUSED)
C210	043-0548-50	10V 2.2uF	C280	046-1522-58	1500pF K B	C447	-----	(UNUSED)
C211	165-4753-55	35V 4.7uF	C281	046-1522-58	1500pF K B	C448	-----	(UNUSED)
C212	165-4753-55	35V 4.7uF	C282	046-1022-58	50V 1000pF	C449	168-3342-58	0.33uF K
C213	045-1011-50	100pFJ CH	C301	046-1042-78	16V 0.1uF	C450	168-3342-58	0.33uF K

REF No.	PART No.	DESCRIPTION	REF No.	PART No.	DESCRIPTION	REF No.	PART No.	DESCRIPTION
C451	168-3342-58	0.33uF K	C546	166-1201-50	12pF CH	D304	001-0516-90	MA111
C452	168-3342-58	0.33uF K	C547	168-2222-55	2200pF K	D305	-----	(UNUSED)
C453	168-1052-78	16V 1uF K	C601	-----	(UNUSED)	D306	001-0535-90	MA729
C454	-----	(UNUSED)	C602	-----	(UNUSED)	D307	001-0516-90	MA111
C455	-----	(UNUSED)	C603	-----	(UNUSED)	D308	001-9210-50	AVR-M1608C270MT
C456	-----	(UNUSED)	C604	042-1769-90	6.3V 220uF M	AAD	-----	(UNUSED)
C457	-----	(UNUSED)	C605	046-1042-78	16V 0.1uF	D309	001-9210-50	AVR-M1608C270MT
C458	042-1755-90	16V 47uF	C606	-----	(UNUSED)	AAD	-----	(UNUSED)
C459	-----	(UNUSED)	C607	046-1022-58	50V 1000pF	D310	001-9210-50	AVR-M1608C270MT
C460	-----	(UNUSED)	C608	168-3342-58	0.33uF K	AAD	-----	(UNUSED)
C461	178-1052-78	16V 1uF	C609	165-4763-15	6.3V 47uF	D311	001-9210-50	AVR-M1608C270MT
C462	-----	(UNUSED)	C610	046-1042-78	16V 0.1uF	AAD	-----	(UNUSED)
C463	-----	(UNUSED)	C611	046-1022-58	50V 1000pF	D312	001-9210-50	AVR-M1608C270MT
C464	-----	(UNUSED)	C612	168-3342-58	0.33uF K	AAD	-----	(UNUSED)
C465	168-1052-78	16V 1uF K	C613	168-1042-38	50V 0.1uF K	D313	001-9210-50	AVR-M1608C270MT
C466	-----	(UNUSED)	C614	165-1063-35	16V 10uF	AAD	-----	(UNUSED)
C467	-----	(UNUSED)	C615	165-4763-15	6.3V 47uF	D314	001-9210-50	AVR-M1608C270MT
C468	-----	(UNUSED)	C616	046-1042-78	16V 0.1uF	AAD	-----	(UNUSED)
C469	-----	(UNUSED)	C617	046-1042-78	16V 0.1uF	D401	-----	(UNUSED)
C470	-----	(UNUSED)	C618	-----	(UNUSED)	D501	001-9210-50	AVR-M1608C270MT
C471	-----	(UNUSED)	C619	165-4763-15	6.3V 47uF	AAD	-----	(UNUSED)
C472	-----	(UNUSED)	C620	046-1042-78	16V 0.1uF	D502	001-4312-99	02DZ18Y TPH3-F
C473	-----	(UNUSED)	C621	165-4763-15	6.3V 47uF	D503	001-9210-50	AVR-M1608C270MT
C474	-----	(UNUSED)	C622	046-1042-78	16V 0.1uF	AAD	-----	(UNUSED)
C475	-----	(UNUSED)	C623	-----	(UNUSED)	D504	001-9210-50	AVR-M1608C270MT
C476	-----	(UNUSED)	C624	046-1042-78	16V 0.1uF	AAD	-----	(UNUSED)
C477	168-3342-58	0.33uF K	C625	168-1042-38	50V 0.1uF K	D505	001-9210-50	AVR-M1608C270MT
C478	168-3312-55	330pF K	C626	165-1073-35	16V 100uF	AAD	-----	(UNUSED)
C479	168-3312-55	330pF K	C627	045-1011-50	100pFJ CH	D506	001-4312-32	02DZ5.6Y TPH3-F
C501	168-2212-55	220pF K	C629	-----	(UNUSED)	D507	001-4312-32	02DZ5.6Y TPH3-F
C502	168-2212-55	220pF K	C630	168-3342-58	0.33uF K	D508	-----	(UNUSED)
C503	-----	(UNUSED)	C631	165-1073-35	16V 100uF	D509	-----	(UNUSED)
C504	168-1022-55	1000pF K	C632	042-1769-90	6.3V 220uF M	D510	-----	(UNUSED)
C505	168-1042-38	50V 0.1uF K	C633	165-1073-35	16V 100uF	D511	-----	(UNUSED)
C506	168-1022-55	1000pF K	C634	046-1042-78	16V 0.1uF	D512	-----	(UNUSED)
C507	-----	(UNUSED)	C635	046-1042-78	16V 0.1uF	D513	001-4315-50	MMBZ27VCLT1G
C508	-----	(UNUSED)	C636	046-1042-78	16V 0.1uF	D514	001-4315-50	MMBZ27VCLT1G
C509	-----	(UNUSED)	C637	046-1042-78	16V 0.1uF	D515	001-0516-90	MA111
C510	-----	(UNUSED)	C638	165-1073-35	16V 100uF	D516	-----	(UNUSED)
C511	046-1032-78	16V 0.01uF	C639	-----	(UNUSED)	D517	-----	(UNUSED)
C512	-----	(UNUSED)	C640	-----	(UNUSED)	D518	001-2403-90	M1F60
C513	-----	(UNUSED)	C641	168-1042-38	50V 0.1uF K	D519	001-2403-90	M1F60
C514	-----	(UNUSED)	C642	165-1053-65	50V 1uF	D520	-----	(UNUSED)
C515	-----	(UNUSED)	C643	043-8000-90	50V 0.1uF	D521	-----	(UNUSED)
C516	045-1011-50	100pFJ CH	C644	165-4763-35	16V 47uF	D522	001-9210-50	AVR-M1608C270MT
C517	046-1042-78	16V 0.1uF	C645	045-1011-50	100pFJ CH	AAD	-----	(UNUSED)
C518	046-1042-78	16V 0.1uF	C646	045-1011-50	100pFJ CH	D523	-----	(UNUSED)
C519	165-2263-15	6.3V 22uF	C647	-----	(UNUSED)	D524	001-0516-90	MA111
C520	043-8000-90	50V 0.1uF	C701	-----	(UNUSED)	D525	001-0592-00	RM4Z
C521	165-1053-65	50V 1uF	C702	-----	(UNUSED)	D526	-----	(UNUSED)
C522	046-1022-58	50V 1000pF	C703	-----	(UNUSED)	D527	-----	(UNUSED)
C523	168-2222-55	2200pF K	C704	-----	(UNUSED)	D528	-----	(UNUSED)
C524	-----	(UNUSED)	C705	-----	(UNUSED)	D529	-----	(UNUSED)
C525	168-4722-55	4700pF K	C706	-----	(UNUSED)	D530	001-9210-50	AVR-M1608C270MT
C526	-----	(UNUSED)	C707	-----	(UNUSED)	AAD	-----	(UNUSED)
C527	-----	(UNUSED)	C708	-----	(UNUSED)	D601	-----	(UNUSED)
C528	-----	(UNUSED)	C709	-----	(UNUSED)	D602	-----	(UNUSED)
C529	168-1022-55	1000pF K	C710	-----	(UNUSED)	D603	-----	(UNUSED)
C530	046-							

REF No.	PART No.	DESCRIPTION	REF No.	PART No.	DESCRIPTION	REF No.	PART No.	DESCRIPTION	REF No.	PART No.	DESCRIPTION	REF No.	PART No.	DESCRIPTION	REF No.	PART No.	DESCRIPTION
IC201	-----	SAF7741HV/N127C/ENTER PAD SOLDE R)(674710-051)	L216	010-3104-54	600 ohm/100MHz	R102	-----	(UNUSED)	R245	033-1021-15	1/16W 1k ohm J	R375	033-3331-15	1/16W 33k ohm J	R458	117-0000-05	1/8W 0 ohm JW
IC301	-----	BR93L86REV-W E2) software should be written on production.) (942390-051)	L217	010-3105-62	1k ohm/100MHz	R103	-----	(UNUSED)	R246	033-1021-15	1/16W 1k ohm J	R376	033-3331-15	1/16W 33k ohm J	R459	-----	(UNUSED)
IC302	-----	D70F3367GJ(A)-GA E-A/XJS/software sh ould be written on pr oduction.) (033640-0 52)	L218	010-3105-62	1k ohm/100MHz	R104	-----	(UNUSED)	R247	033-1021-15	1/16W 1k ohm J	R377	033-3331-15	1/16W 33k ohm J	R460	-----	(UNUSED)
IC303	051-5467-90	S-8092RNM-C-995T 2G	L219	010-3104-54	600 ohm/100MHz	R105	-----	(UNUSED)	R248	033-1021-15	1/16W 1k ohm J	R378	033-3331-15	1/16W 33k ohm J	R461	-----	(UNUSED)
IC304	051-5441-08	BD4828G-TR	L220	010-3104-54	600 ohm/100MHz	R106	-----	(UNUSED)	R249	033-1011-15	1/16W 100 ohm J	R379	033-1031-15	1/16W 100 ohm J	R462	-----	(UNUSED)
IC305	051-5811-90	L9637D	L221	010-3104-54	600 ohm/100MHz	R107	033-4741-15	1/16W 470k ohm J	R250	033-1011-15	1/16W 100 ohm J	R380	033-1031-15	1/16W 10k ohm J	R463	-----	(UNUSED)
IC401	-----	(UNUSED)	L222	010-3104-54	600 ohm/100MHz	R108	033-4741-15	1/16W 470k ohm J	R251	119-0000-05	1/10W 0 ohm JW	R381	-----	(UNUSED)	R464	-----	(UNUSED)
IC402	-----	(UNUSED)	L301	010-3105-62	1k ohm/100MHz	R109	033-3311-15	1/16W 330 ohm J	R252	119-0000-05	1/10W 0 ohm JW	R382	033-4721-15	1/16W 4.7k ohm J	R465	-----	(UNUSED)
IC403	-----	(UNUSED)	L302	010-3406-66	22uH J	R110	033-1811-15	1/16W 180 ohm J	R253	119-1001-15	1/10W 10 ohm	R383	033-1031-15	1/16W 10k ohm J	R466	-----	(UNUSED)
IC404	-----	(UNUSED)	L303	010-3105-62	1k ohm/100MHz	R111	033-5601-15	1/16W 56 ohm J	R301	033-3331-15	1/16W 33k ohm J	R384	033-1031-15	1/16W 10k ohm J	R467	-----	(UNUSED)
IC405	-----	(UNUSED)	L401	-----	(UNUSED)	R112	-----	(UNUSED)	R302	033-1031-15	1/16W 10k ohm J	R385	033-1011-15	1/16W 100 ohm J	R468	-----	(UNUSED)
IC406	051-2073-00	TB2939HQ	L402	-----	(UNUSED)	R113	-----	(UNUSED)	R303	-----	(UNUSED)	R386	033-1011-15	1/16W 100 ohm J	R469	-----	(UNUSED)
IC407	-----	(UNUSED)	L501	-----	(UNUSED)	R115	033-4731-15	1/16W 47k ohm J	R304	033-3331-15	1/16W 33k ohm J	R387	033-4711-15	1/16W 470 ohm J	R470	-----	(UNUSED)
IC408	-----	(UNUSED)	L502	-----	(UNUSED)	R117	033-2231-15	1/16W 22k ohm J	R305	033-3331-15	1/16W 33k ohm J	R388	033-4711-15	1/16W 470 ohm J	R471	-----	(UNUSED)
IC409	-----	(UNUSED)	L503	010-3105-62	1k ohm/100MHz	R118	033-3921-15	1/16W 3.9k ohm J	R306	033-3331-15	1/16W 33k ohm J	R389	033-1031-15	1/16W 10k ohm J	R472	-----	(UNUSED)
IC501	051-6648-90	HA12240FP-EL	L504	010-3105-62	1k ohm/100MHz	R119	-----	(UNUSED)	R307	033-3331-15	1/16W 33k ohm J	R390	033-1011-15	1/16W 100 ohm J	R473	-----	(UNUSED)
IC502	-----	(UNUSED)	L505	010-3105-62	1k ohm/100MHz	R120	-----	(UNUSED)	R308	033-4731-15	1/16W 47k ohm J	R391	033-1011-15	1/16W 100 ohm J	R474	-----	(UNUSED)
IC503	051-6653-80	SN65HVD1040QDR Q1	L506	-----	(UNUSED)	R121	033-0000-05	1/16W 0 ohm	R309	033-3331-15	1/16W 33k ohm J	R392	-----	(UNUSED)	R475	-----	(UNUSED)
IC504	-----	(UNUSED)	L507	-----	(UNUSED)	R122	033-0000-05	1/16W 0 ohm	R310	033-1041-15	1/16W 100k ohm J	R393	033-1031-15	1/16W 10k ohm J	R476	033-3331-15	1/16W 33k ohm J
IC601	051-3396-90	NJM2386ADL3-33-T E1	L508	010-3105-62	1k ohm/100MHz	R123	033-0000-05	1/16W 0 ohm	R311	033-1031-15	1/16W 10k ohm J	R394	-----	(UNUSED)	R477	-----	(UNUSED)
IC602	051-3333-00	NJM2396F05	L601	010-3406-66	22uH J	R124	033-0000-05	1/16W 0 ohm	R312	033-6831-15	1/16W 68k ohm J	R395	-----	(UNUSED)	R478	-----	(UNUSED)
IC603	051-3364-90	NJU7771F15	L602	010-3104-54	600 ohm/100MHz	R125	033-0000-05	1/16W 0 ohm	R313	033-6831-15	1/16W 68k ohm J	R396	-----	(UNUSED)	R479	033-0000-05	1/16W 0 ohm
IC604	051-3367-90	NJU7780U1-33-TE2	L701	010-3114-92	600ohm/100MHz	R126	-----	(UNUSED)	R314	033-1031-15	1/16W 10k ohm J	R397	-----	(UNUSED)	R480	033-0000-05	1/16W 0 ohm
IC605	051-3727-90	NJM2886DL-15(TE1)	L702	010-3114-92	600ohm/100MHz	R127	-----	(UNUSED)	R315	033-4731-15	1/16W 47k ohm J	R398	-----	(UNUSED)	R481	-----	(UNUSED)
IC606	051-3396-90	NJM2386ADL3-33-T E1	L703	010-3114-92	600ohm/100MHz	R128	033-0000-05	1/16W 0 ohm	R316	033-1231-15	1/16W 12k ohm J	R399	033-3331-15	1/16W 33k ohm J	R482	-----	(UNUSED)
IC607	051-3585-90	BD3571HFP	L704	010-3114-92	600ohm/100MHz	R129	033-0000-05	1/16W 0 ohm	R317	033-6821-15	1/16W 6.8k ohm J	R401	033-0000-05	1/16W 0 ohm	R483	-----	(UNUSED)
IC608	051-3366-00	NJM2396F08	P301	076-0478-58	8P	R130	119-0000-05	1/10W 0 ohm JW	R318	033-0000-05	1/10W 0 ohm	R402	033-0000-05	1/16W 0 ohm	R484	-----	(UNUSED)
IC609	051-3334-00	NJM2396F09	P302	076-3011-76	26P	R131	033-1201-15	1/16W 12 ohm	R319	033-5621-15	1/16W 5.6k ohm J	R403	033-0000-05	1/16W 0 ohm	R485	-----	(UNUSED)
J401	-----	(UNUSED)	P701	076-3028-40	40P	R132	119-0000-05	1/10W 0 ohm JW	R320	033-1021-15	1/16W 1k ohm J	R404	033-0000-05	1/16W 0 ohm	R486	-----	(UNUSED)
J501	074-4017-20	20P	Q101	-----	(UNUSED)	R133	119-0000-05	1/10W 0 ohm JW	R321	033-3331-15	1/16W 33k ohm J	R405	-----	(UNUSED)	R487	-----	(UNUSED)
J502	074-1168-14	14P	Q102	-----	(UNUSED)	R201	119-3331-15	1/10W 33k ohm	R322	-----	(UNUSED)	R406	-----	(UNUSED)	R488	-----	(UNUSED)
J503	074-4026-24	24P	Q103	-----	(UNUSED)	R202	119-3331-15	1/10W 33k ohm	R323	-----	(UNUSED)	R407	-----	(UNUSED)	R489	-----	(UNUSED)
L101	-----	(UNUSED)	Q104	-----	(UNUSED)	R203	119-3331-15	1/10W 33k ohm	R324	033-3331-15	1/16W 33k ohm J	R408	-----	(UNUSED)	R490	-----	(UNUSED)
L102	-----	(UNUSED)	Q201	125-7005-90	PHK04P02T	R204	-----	(UNUSED)	R325	033-3331-15	1/16W 33k ohm J	R411	-----	(UNUSED)	R491	-----	(UNUSED)
L103	-----	(UNUSED)	Q301	192-4081-00	2SC4081	R205	-----	(UNUSED)	R326	033-3331-15	1/16W 33k ohm J	R412	-----	(UNUSED)	R492	-----	(UNUSED)
L104	-----	(UNUSED)	Q302	192-4081-00	2SC4081	R206	033-1031-15	1/16W 10k ohm J	R327	032-0140-88	1/10W 100k ohm F	R413	-----	(UNUSED)	R493	033-1531-15	1/16W 15k ohm J
L105	-----	(UNUSED)	Q303	-----	(UNUSED)	R207	032-0140-54	1/10W 22k ohm F	R328	032-0140-82	1/10W 150k ohm F	R416	-----	(UNUSED)	R494	033-1531-15	1/16W 15k ohm J
L106	-----	(UNUSED)	Q304	-----	(UNUSED)	R208	032-0140-54	1/10W 22k ohm F	R329	033-4731-15	1/16W 47k ohm J	R417	-----	(UNUSED)	R495	033-1531-15	1/16W 15k ohm J
L107	010-3062-54	290nH	Q401	-----	(UNUSED)	R209	032-0140-54	1/10W 22k ohm F	R330	033-3331-15	1/16W 33k ohm J	R418	-----	(UNUSED)	R496	033-1531-15	1/16W 15k ohm J
L108	010-3406-56	3.3uH J	Q501	192-5810-00	2SC5810 TE12L	R210	032-0140-54	1/10W 22k ohm F	R331	033-0000-05	1/16W 0 ohm	R419	-----	(UNUSED)	R497	-----	(UNUSED)
L109	010-3062-56	0.5uH	Q502	-----	(UNUSED)	R211	032-0140-54	1/10W 22k ohm F	R332	033-0000-05	1/16W 0 ohm	R422	-----	(UNUSED)	R498	-----	(UNUSED)
L110	010-3062-53	0.215uH	Q503	-----	(UNUSED)	R212	032-0140-54	1/10W 22k ohm F	R333	033-0000-05	1/16W 0 ohm	R425	-----	(UNUSED)	R499	-----	(UNUSED)
L111	010-3439-51	1.8uH	Q504	192-4081-00	2SC4081	R213	032-0140-54	1/10W 22k ohm F	R334	033-3331-15	1/16W 33k ohm J	R426	-----	(UNUSED)	R501	116-1211-15	1/4W 120 ohm
L112	010-4100-50	0.215uH	Q505	192-2814-51	2SC2814-4/5-TB-E	R214	032-0140-54	1/10W 22k ohm F	R335	033-3331-15	1/16W 33k ohm J	R427	-----	(UNUSED)	R502	033-1031-15	1/16W 10k ohm J
L113	010-2290-52	330uH	Q506	192-4081-00	2SC4081	R215	032-0140-54	1/10W 22k ohm F	R338	-----	(UNUSED)	R428	-----	(UNUSED)	R503	033-3321-15	1/16W 3.3k ohm J
L114	010-2290-52	330uH	Q507	191-1197-50	2SB1197K Q,R	R216	032-0140-54	1/10W 22k ohm F	R339	033-1031-15	1/16W 10k ohm J	R429	-----	(UNUSED)	R504	-----	(UNUSED)
L115	010-3105-62	1k ohm/100MHz	Q508	190-2088-00	2SA2088-T106	R217	119-0000-05	1/10W 0 ohm JW	R344	-----	(UNUSED)	R430	-----	(UNUSED)	R505	116-6801-15	1/4W 68 ohm
L116	-----	(UNUSED)	Q509	190-2088-00	2SA2088-T106	R218	119-0000-05	1/10W 0 ohm JW	R345	033-0000-05	1/16W 0 ohm	R431	-----	(UNUSED)	R506	116-1011-15	1/4W 100 ohm
L201	010-3104-54	600 ohm/100MHz	Q601	192-2814-51	2SC2814-4/5-TB-E	R219	033-1011-15	1/16W 100 ohm J	R346	033-3331-15	1/16W 33k ohm J	R432	-----	(UNUSED)	R507	116-1011-15	1/4W 100 ohm
L202	010-3104-54	600 ohm/100MHz	Q602	-----	(UNUSED)	R220	033-1031-15	1/16W 10k ohm J	R347	033-1031-15	1/16W 10k ohm J	R433	-----	(UNUSED)	R508	-----	(UNUSED)
L203	010-3104-54	600 ohm/100MHz	Q603	-----	(UNUSED)	R221	032-0140-52	1/10W 33k ohm F	R349	033-3331-15	1/16W 33k ohm J	R434	-----	(UNUSED)	R509	-----	(UNUSED)
L204	010-3104-54	600 ohm/100MHz	Q604	-----	(UNUSED)	R222	032-0140-52	1/10W 33k ohm F	R350	033-3331-15	1/16W 33k ohm J	R435	-----	(UNUSED)	R510	-----	(UNUSED)
L205	010-3104-54	600 ohm/100MHz	Q605	-----	(UNUSED)	R223	033-1031-15	1/16W 10k ohm J	R351	033-3331-15	1/16W 33k ohm J	R436	-----	(UNUSED)	R511	-----	(UNUSED)
L206	010-3104-54	600 ohm/100MHz	Q606	-----	(UNUSED)	R224	032-0140-52	1/10W 33k ohm F	R352	033-4721-15	1/16W 4.7k ohm J	R437	-----	(UNUSED)	R512	-----	(UNUSED)
L207	010-3104-54	600 ohm/100MHz	Q607	-----	(UNUSED)	R225	032-0140-52	1/10W 33k ohm F	R353	033-4721-15	1/16W 4.7k ohm J	R438	-----	(UNUSED)	R513	-----	(UNUSED)
L208	010-3104-54	600 ohm/100MHz	Q608	-----	(UNUSED)	R226	119-2201-15	1/10W 22 ohm	R354	-----	(UNUSED)	R439	-----	(UNUSED)	R514	033-4721-15	1/16W 4.7k ohm J
L209	010-3104-54	600 ohm/100MHz	Q609	-----	(UNUSED)	R227											

REF No.	PART No.	DESCRIPTION	REF No.	PART No.	DESCRIPTION	REF No.	PART No.	DESCRIPTION
R533	033-1531-15	1/16W 15k ohm J	R613	-----	(UNUSED)	R703	033-1021-15	1/16W 1k ohm J
R534	033-1021-15	1/16W 1k ohm J	R614	-----	(UNUSED)	R704	033-1021-15	1/16W 1k ohm J
R535	033-1011-15	1/16W 100 ohm J	R615	-----	(UNUSED)	R705	033-1021-15	1/16W 1k ohm J
R536	-----	(UNUSED)	R616	-----	(UNUSED)	R706	033-1021-15	1/16W 1k ohm J
R537	116-5621-15	1/4W 5.6k ohm	R617	-----	(UNUSED)	R707	033-1021-15	1/16W 1k ohm J
R538	119-1021-15	1/10W 1k ohm	R618	-----	(UNUSED)	R708	033-0000-05	1/16W 0 ohm
R539	116-4721-15	1/4W 4.7k ohm	R619	033-4731-15	1/16W 47k ohm J	R709	033-1021-15	1/16W 1k ohm J
R540	116-1011-15	1/4W 100 ohm	R620	-----	(UNUSED)	R710	033-1021-15	1/16W 1k ohm J
R541	119-8221-15	1/10W 8.2k ohm	R621	033-3321-15	1/16W 3.3k ohm J	R711	033-0000-05	1/16W 0 ohm
R542	119-4721-15	1/10W 4.7k ohm	R622	033-4721-15	1/16W 4.7k ohm J	R712	033-1021-15	1/16W 1k ohm J
R544	116-1021-15	1/4W 1k ohm	R624	116-2221-15	1/4W 2.2k ohm	R713	033-1021-15	1/16W 1k ohm J
R545	116-2221-15	1/4W 2.2k ohm	R625	033-4731-15	1/16W 47k ohm J	R3101	033-1021-15	1/16W 1k ohm J
R546	033-4721-15	1/16W 4.7k ohm J	R626	033-1031-15	1/16W 10k ohm J	R3102	033-1021-15	1/16W 1k ohm J
R547	033-4721-15	1/16W 4.7k ohm J	R627	116-2221-15	1/4W 2.2k ohm	R3103	033-1021-15	1/16W 1k ohm J
R548	033-1031-15	1/16W 10k ohm J	R628	033-1031-15	1/16W 10k ohm J	R3104	033-1021-15	1/16W 1k ohm J
R549	033-1031-15	1/16W 10k ohm J	R629	033-3321-15	1/16W 3.3k ohm J	R3105	033-1021-15	1/16W 1k ohm J
R550	033-4721-15	1/16W 4.7k ohm J	R630	119-1021-15	1/10W 1k ohm	R3106	033-1021-15	1/16W 1k ohm J
R551	033-4721-15	1/16W 4.7k ohm J	R631	033-1021-15	1/16W 1k ohm J	R3107	033-1011-15	1/16W 100 ohm J
R552	033-1031-15	1/16W 10k ohm J	R632	033-1031-15	1/16W 10k ohm J	R3108	033-1011-15	1/16W 100 ohm J
R553	033-1031-15	1/16W 10k ohm J	R633	033-1031-15	1/16W 10k ohm J	R3109	-----	(UNUSED)
R554	033-1031-15	1/16W 10k ohm J	R635	033-3321-15	1/16W 3.3k ohm J	R4001	033-0000-05	1/16W 0 ohm
R555	-----	(UNUSED)	R637	033-3331-15	1/16W 33k ohm J	R4002	033-0000-05	1/16W 0 ohm
R558	-----	(UNUSED)	R638	-----	(UNUSED)	R4003	033-0000-05	1/16W 0 ohm
R559	-----	(UNUSED)	R639	-----	(UNUSED)	R4004	033-0000-05	1/16W 0 ohm
R560	-----	(UNUSED)	R642	033-1021-15	1/16W 1k ohm J	R4005	-----	(UNUSED)
R561	-----	(UNUSED)	R643	033-1031-15	1/16W 10k ohm J	SUP401	060-0122-91	DSP-141N-S00B
R562	-----	(UNUSED)	R644	033-1031-15	1/16W 10k ohm J	T501	009-0670-80	180uH
R563	-----	(UNUSED)	R645	033-3321-15	1/16W 3.3k ohm J	TC301	004-1589-51	10pF
R564	-----	(UNUSED)	R646	-----	(UNUSED)	TH601	-----	(UNUSED)
R565	-----	(UNUSED)	R648	033-4731-15	1/16W 47k ohm J	TH602	-----	(UNUSED)
R601	-----	(UNUSED)	R649	-----	(UNUSED)	TH603	002-0318-21	THERMISTOR
R603	-----	(UNUSED)	R650	-----	(UNUSED)	TM101	-----	(UNUSED)
R605	-----	(UNUSED)	R651	033-4731-15	1/16W 47k ohm J	TM501	-----	(UNUSED)
R606	-----	(UNUSED)	R652	033-4731-15	1/16W 47k ohm J	TM601	-----	(UNUSED)
R607	-----	(UNUSED)	R653	032-0231-52	1W 33 ohm	TM701	-----	(UNUSED)
R608	-----	(UNUSED)	R654	032-0231-52	1W 33 ohm	X201	061-3537-90	41.6MHz
R609	-----	(UNUSED)	R658	033-4731-15	1/16W 47k ohm J	X301	061-3574-90	3.981312MHz
R610	-----	(UNUSED)	R659	119-0000-05	1/10W 0 ohm JW	PWB	039-3717-00	PWB(WITHOUT COMPONENT)
R611	-----	(UNUSED)	R701	033-0000-05	1/16W 0 ohm			
R612	-----	(UNUSED)	R702	033-0000-05	1/16W 0 ohm			

SWITCH PWB(B2) section

REF No.	PART No.	DESCRIPTION	REF No.	PART No.	DESCRIPTION	REF No.	PART No.	DESCRIPTION
C801	168-1022-55	1000pF K	D829	001-0516-90	MA111	R842	-----	(UNUSED)
C802	168-1042-78	16V 0.1uF K	D830	001-0516-90	MA111	R843	-----	(UNUSED)
C803	-----	(UNUSED)	D831	001-0516-90	MA111	R844	-----	(UNUSED)
C804	-----	(UNUSED)	D832	001-0516-90	MA111	R845	-----	(UNUSED)
C805	166-1011-50	100pF CH	D833	001-0516-90	MA111	R846	-----	(UNUSED)
C806	166-1011-50	100pF CH	D834	001-0516-90	MA111	R848	-----	(UNUSED)
C807	166-1011-50	100pF CH	D835	001-0516-90	MA111	R849	-----	(UNUSED)
C808	-----	(UNUSED)	D836	001-0516-90	MA111	R850	-----	(UNUSED)
C809	166-1011-50	100pF CH	D839	001-0516-90	MA111	R851	-----	(UNUSED)
C810	166-1007-50	10pF CH	IC801	051-6642-08	LC75700T	R852	-----	(UNUSED)
C811	166-1007-50	10pF CH	J801	074-3014-76	26P	R853	116-5601-15	1/4W 56 ohm
C812	166-1007-50	10pF CH	L801	010-3407-66	22uH J	R854	119-1021-15	1/10W 1k ohm
C813	-----	(UNUSED)	Q801	192-4081-00	2SC4081	R855	119-1021-15	1/10W 1k ohm
C814	-----	(UNUSED)	Q802	192-4081-00	2SC4081	R856	119-1021-15	1/10W 1k ohm
C815	-----	(UNUSED)	Q804	192-4081-00	2SC4081	R857	119-0000-05	1/10W 0 ohm JW
C816	-----	(UNUSED)	R801	-----	(UNUSED)	R858	119-0000-05	1/10W 0 ohm JW
D803	001-7134-61	NHSB046A-HC14-T KMLP2	R802	119-1521-15	1/10W 1.5k ohm	R859	119-0000-05	1/10W 0 ohm JW
D804	001-7142-90	SMLZ13EDT(A)	R803	119-1821-15	1/10W 1.8k ohm	R860	119-0000-05	1/10W 0 ohm JW
D806	001-7110-94	NESB064-EC5-TKM LP3LP	R804	119-1031-15	1/10W 10k ohm	R861	119-1021-15	1/10W 1k ohm
D808	001-7110-94	NESB064-EC5-TKM LP3LP	R805	119-3931-15	1/10W 39k ohm	R862	119-1021-15	1/10W 1k ohm
D810	001-7134-55	NHSB046A-HC14-T KMLP2	R806	116-5601-15	1/4W 56 ohm	R863	119-1021-15	1/10W 1k ohm
D811	001-7134-55	NHSB046A-HC14-T KMLP2	R807	119-1021-15	1/10W 1k ohm	R864	119-0000-05	1/10W 0 ohm JW
D813	001-7110-94	NESB064-EC5-TKM LP3LP	R808	119-6811-15	1/10W 680 ohm	R865	119-0000-05	1/10W 0 ohm JW
D814	001-7110-94	NESB064-EC5-TKM LP3LP	R809	119-8211-15	1/10W 820 ohm	R866	119-1011-15	1/10W 100 ohm
D815	001-7134-62	NHSB046A-HC14-T KMLP5	R810	119-6811-15	1/10W 680 ohm	R867	119-1011-15	1/10W 100 ohm
D819	001-7115-92	VUG1111C	R811	119-8211-15	1/10W 820 ohm	R868	119-1011-15	1/10W 100 ohm
D820	001-7142-90	SMLZ13EDT(A)	R812	119-6811-15	1/10W 680 ohm	R869	119-1011-15	1/10W 100 ohm
D821	001-0516-90	MA111	R813	119-5111-15	1/10W 510 ohm	R870	119-1011-15	1/10W 100 ohm
D822	001-0516-90	MA111	R816	119-5111-15	1/10W 510 ohm	R871	119-3911-15	1/10W 390 ohm
D823	001-0516-90	MA111	R817	119-5111-15	1/10W 510 ohm	R872	119-1011-15	1/10W 100 ohm
D824	001-0516-90	MA111	R818	119-5111-15	1/10W 510 ohm	R873	119-1011-15	1/10W 100 ohm
D825	001-0516-90	MA111	R819	119-5111-15	1/10W 510 ohm	R874	119-1011-15	1/10W 100 ohm
D826	001-0516-90	MA111	R820	119-3021-15	1/10W 3k ohm	R875	119-1011-15	1/10W 100 ohm
D827	001-0516-90	MA111	R821	119-3021-15	1/10W 3k ohm	R876	119-1031-15	1/10W 10k ohm
D828	001-0516-90	MA111	R824	119-3321-15	1/10W 3.3k ohm	R877	119-1031-15	1/10W 10k ohm
			R825	119-3321-15	1/10W 3.3k ohm	R878	119-2221-15	1/10W 2.2k ohm
			R834	-----	(UNUSED)	R879	119-2231-15	1/10W 22k ohm
			R835	-----	(UNUSED)	R880	119-2221-15	1/10W 2.2k ohm
			R836	-----	(UNUSED)	R881	119-2231-15	1/10W 22k ohm
			R837	-----	(UNUSED)	S801	016-7006-02	VR
			R839	-----	(UNUSED)	PWB	039-3718-00	PWB(WITHOUT COMPONENT)
			R840	-----	(UNUSED)			
			R841	-----	(UNUSED)			

## EXPLODED VIEW / PARTS LIST

NO.	PART NO.	DESCRIPTION	QTY	NO.	PART NO.	DESCRIPTION	QTY
1	966-1722-21	SH-RACK-ASSY	1	43	621-1749-20	POWER GEAR B	1
2	969-0075-31	PICKUP-ASSY	1	44	621-1750-20	POWER GEAR C	1
3	-----	SENSOR-PWB-ASSY(955010AI)	1	45	621-1751-20	POWER GEAR D	1
4	-----	MAIN-PWB-ASSY(975033BI)	1	46	621-1752-20	DISC STOPPER	1
5	-----	DC-MOTOR(SPINDELE)	1	47	621-1753-20	CLAMPER RING	1
6	-----	DC-MOTOR(SLED)	1	48	621-1754-20	GEAR BASE	1
7	345-5476-20	CUSHION RUBBER	1	49	622-1570-21	DAMPER PIN	3
8	620-1023-23	CLAMPER PLATE	1	50	622-1571-21	ROLLER SHAFT	1
9	620-1026-21	SPRING PLATE	1	51	624-3059-00	LEAD SCREW	1
10	620-1596-23	CLAMPER LINK	1	52	629-0086-20	DAMPER F	2
11	620-1862-20	UPPER CHASSIS	1	53	629-0087-20	DAMPER R	1
12	620-1867-20	DRIVE PLATE	1	54	714-2003-8B	MACHIN SCREW	2
13	620-1752-20	SENSOR ARM	1	55	716-1507-01	SCREW	3
14	620-1753-20	ID-LOCK PLATE	1	56	716-1670-01	SPECIAL SCREW	4
15	620-1894-24	LOWER CHASSIS	1	57	716-1733-01	SCREW	2
16	-----	MOTOR GEAR(SLED)	1	58	716-3469-01	SPECIAL SCREW	2
17	621-0608-21	SECOND GEAR	1	59	716-3473-01	SPECIAL SCREW	1
18	621-0609-21	BASE GEAR	1	60	716-3551-00	SPECIAL SCREW	2
19	621-0610-21	IDLE GEAR A	1	61	750-6797-20	ROLLER SPRING L	1
20	621-0611-21	IDLE GEAR B	1	62	750-6798-20	ROLLER SPRING R	1
21	621-0612-22	ROLLER GEAR A	1	63	750-7865-20	SHIFT SPRING	1
22	621-0620-20	THREAD GEAR A	1	64	750-7866-20	RACK SPRING	1
23	621-0621-20	THREAD GEAR B	1	65	750-7867-20	CLAMPER SPRING	1
24	621-0623-24	LS-HOLDER	1	66	750-7868-20	ID-LOCK SPRING	1
25	621-0624-22	GUIDE RAIL	1	67	750-7869-20	SENSOR SPRING	1
26	-----	TURN TABLE(SPINDELE)	1	68	750-7870-20	DR-SPRING F	2
27	621-0711-21	LOADING ROLLER	2	69	750-7871-20	DR-SPRING RA	1
28	621-0718-21	ROLLER GUIDE	1	70	750-7872-20	DR-SPRING RB	1
29	621-0719-20	ROLLER GEAR	1	71	750-7873-20	DR-SPRING C	1
30	621-0720-20	ROLLER GEAR C	1	72	780-2025-00	SCREW	3
31	621-0721-20	ROLLER GEAR D	1	73	781-1730-00	SCREW	1
32	621-0728-20	STOPPER LINK	1	74	803-4906-60	VINYL-COAT-WIRE	1
33	621-1719-21	IDLE CASE	1	75	816-2624-55	FLAT WIRE	1
34	621-1726-21	ROLLER SLEEVE	2	76	816-2590-00	SPECIAL LEAD	1
35	621-1729-21	SH-BASE	1	77	816-2591-00	SPECIAL LEAD	1
36	621-1742-20	UPPER GUIDE	1	78	816-2592-00	SPECIAL LEAD	1
37	621-1743-20	SHIFT LEVER	1	79	816-2593-00	SPECIAL LEAD	1
38	621-1744-20	RACK	1	80	716-3635-00	SPECIAL SCREW	1
39	621-1745-20	LOCK ARM L	1	81	293-8575-00	MECH LABEL	1
40	621-1746-20	LOCK ARM R	1	82	SMA-183-200	SLED MOTOR ASSY	1
41	621-1747-20	GEAR COVER	1	83	SMA-200-100	SPINDLE MOTOR ASSY	1
42	621-1748-20	POWER GEAR A	1				



# ELECTRICAL PARTS LIST

## SENS PWB(B1) section

REF No.	PART No.	DESCRIPTION	REF No.	PART No.	DESCRIPTION	REF No.	PART No.	DESCRIPTION
D1	001-7058-90	DIODE	S2	013-7413-50	DETECTOR SWITCH(SPVG12)	J1	074-2215-60	10P
D2	001-7058-90	DIODE	Q1	060-4015-91	PHOTO-TR	PWB	039-2675-20	PWB (WITHOUT COMPONENT)
S1	013-7414-50	DETECTOR SWITCH(SPVG22)	Q2	060-4015-91	PHOTO-TR			

## MAIN PWB(B2) section

REF No.	PART No.	DESCRIPTION	REF No.	PART No.	DESCRIPTION	REF No.	PART No.	DESCRIPTION
C3	168-1052-78	16V 1uF K	C47	166-1011-50	100pF CH	R13	033-3341-15	1/16W 330k ohm J
C6	168-1052-78	16V 1uF K	C48	165-4763-15	6.3V 47uF	R15	033-4731-15	1/16W 47k ohm J
C7	042-0560-85	6.3V 100uF	C49	168-1042-78	16V 0.1uF K	R16	033-3331-15	1/16W 33k ohm J
C8	168-1052-78	16V 1uF K	C50	045-1201-50	12pFJ CH	R17	119-0000-05	1/10W 0 ohm JW
C10	046-1042-78	16V 0.1uF	C51	045-1201-50	12pFJ CH	R18	033-1051-15	1/16W 1M ohm J
C11	168-1042-78	16V 0.1uF K	C71	166-6801-50	68pF CH	R19	033-2221-15	1/16W 2.2k ohm J
C12	166-6801-50	68pF CH	C72	166-6801-50	68pF CH	R20	033-1011-15	1/16W 100 ohm J
C14	046-4722-58	4700pF K B	C73	166-6801-50	68pF CH	R22	119-0000-05	1/10W 0 ohm JW
C17	165-1073-35	16V 100uF	C74	166-6801-50	68pF CH	R24	119-0000-05	1/10W 0 ohm JW
C18	168-1042-78	16V 0.1uF K	C75	166-6801-50	68pF CH	R27	033-0000-05	1/16W 0 ohm
C19	046-1042-78	16V 0.1uF	C76	166-6801-50	68pF CH	R28	033-0000-05	1/16W 0 ohm
C20	046-1532-78	0.015uF K B	C77	166-6801-50	68pF CH	R29	033-0000-05	1/16W 0 ohm
C21	046-1042-78	16V 0.1uF	C78	166-6801-50	68pF CH	R30	033-0000-05	1/16W 0 ohm
C22	168-1042-78	16V 0.1uF K	ET1	073-0792-90	TERMINAL	R31	033-0000-05	1/16W 0 ohm
C23	046-1522-58	1500pF K B	ET2	073-0792-90	TERMINAL	R32	033-0000-05	1/16W 0 ohm
C24	046-1042-78	16V 0.1uF	IC1	051-6751-00	TC94A93MFG-201	R33	033-0000-05	1/16W 0 ohm
C25	046-2222-58	2200pF K B	IC2	051-6101-90	BD8226EFV	R34	033-0000-05	1/16W 0 ohm
C27	168-1042-78	16V 0.1uF K	J1	074-2215-65	15P	R35	033-0000-05	1/16W 0 ohm
C28	043-0559-90	6.3V 22uF	J2	074-2215-60	10P	R36	033-0000-05	1/16W 0 ohm
C29	046-1032-78	16V 0.01uF	J3	074-3032-40	40P	R37	033-0000-05	1/16W 0 ohm
C30	046-4712-58	470pF K B	L1	010-3105-69	80 ohm/100MHz	R38	033-0000-05	1/16W 0 ohm
C31	046-4712-58	470pF K B	L2	010-3105-69	80 ohm/100MHz	R39	033-0000-05	1/16W 0 ohm
C32	046-3332-78	0.033uF K B	L3	010-3105-69	80 ohm/100MHz	R40	033-1041-15	1/16W 100k ohm J
C33	168-1532-55	0.015uF K	L4	010-3105-69	80 ohm/100MHz	R41	033-1011-15	1/16W 100 ohm J
C34	168-1042-78	16V 0.1uF K	Q1	190-2060-00	2SA2060	R42	033-1011-15	1/16W 100 ohm J
C35	166-6801-50	68pF CH	R1	033-2211-15	1/16W 220 ohm J	R44	033-0000-05	1/16W 0 ohm
C36	046-6822-58	6800pF K B	R2	117-6811-15	1/10W 680 ohm	R45	033-4721-15	1/16W 4.7k ohm J
C37	045-4701-50	47pF CH	R3	117-1001-15	1/8W 10 ohm	R46	033-4721-15	1/16W 4.7k ohm J
C38	168-1042-78	16V 0.1uF K	R4	033-1831-15	1/16W 18k ohm J	R47	033-4721-15	1/16W 4.7k ohm J
C39	046-1042-78	16V 0.1uF	R5	033-1231-15	1/16W 12k ohm J	R48	033-4721-15	1/16W 4.7k ohm J
C40	168-1042-78	16V 0.1uF K	R6	033-1541-15	1/16W 150k ohm J	VR1	001-9210-50	AVR- M1608C270MTAAD
C41	046-5622-58	5600pF K B	R7	033-1031-15	1/16W 10k ohm J	X1	061-3572-90	16.92MHZ
C42	168-1042-78	16V 0.1uF K	R8	033-0000-05	1/16W 0 ohm	PWB	039-3723-00	PWB(WITHOUT COMPONENTS)
C43	046-4732-78	16V 0.047uF	R9	033-2211-15	1/16W 220 ohm J			
C44	046-4732-78	16V 0.047uF	R10	033-0000-05	1/16W 0 ohm			
C45	168-1042-78	16V 0.1uF K	R11	033-2231-15	1/16W 22k ohm J			
C46	043-0570-90	16V 2.2uF K	R12	033-4731-15	1/16W 47k ohm J			