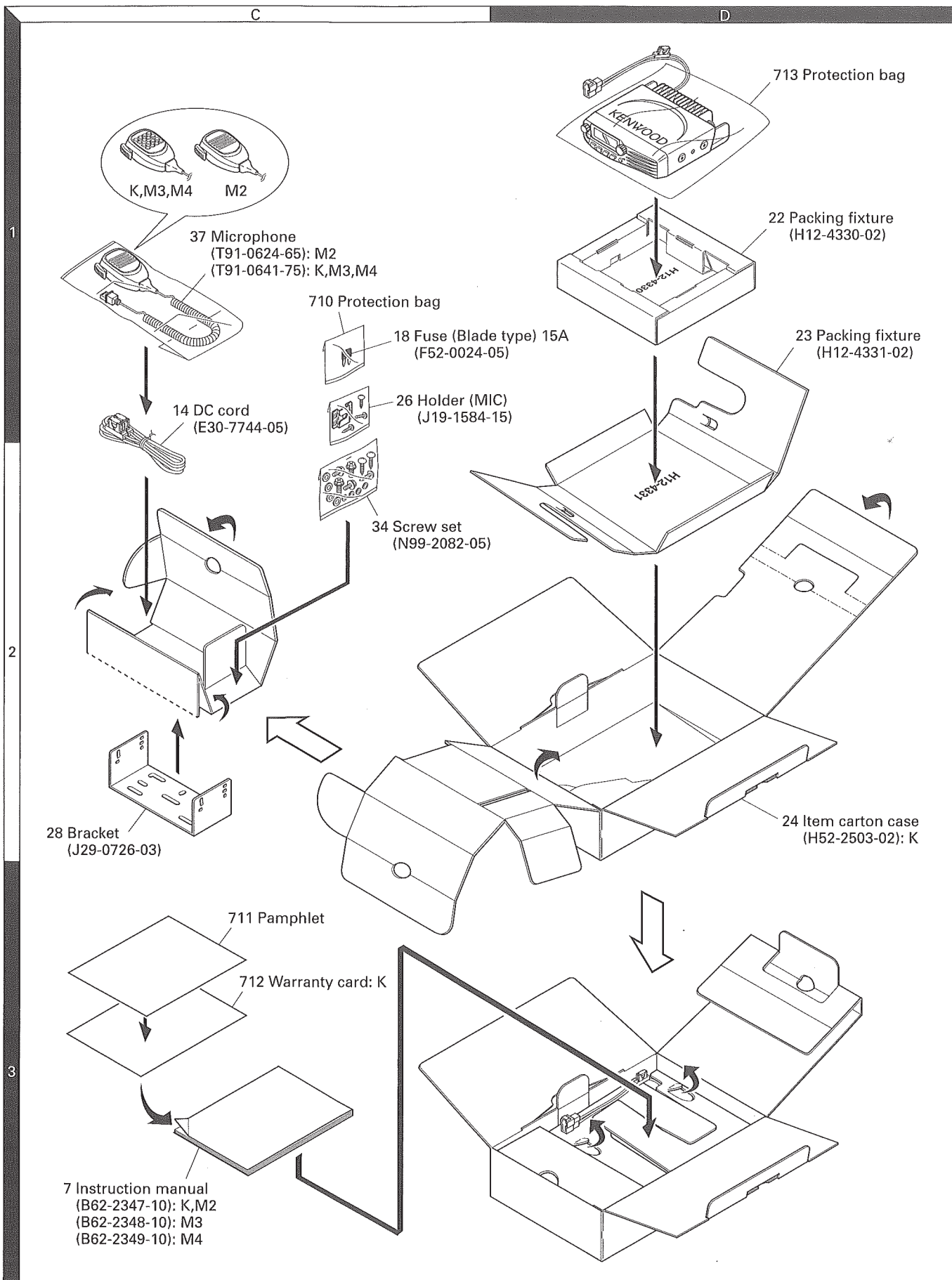


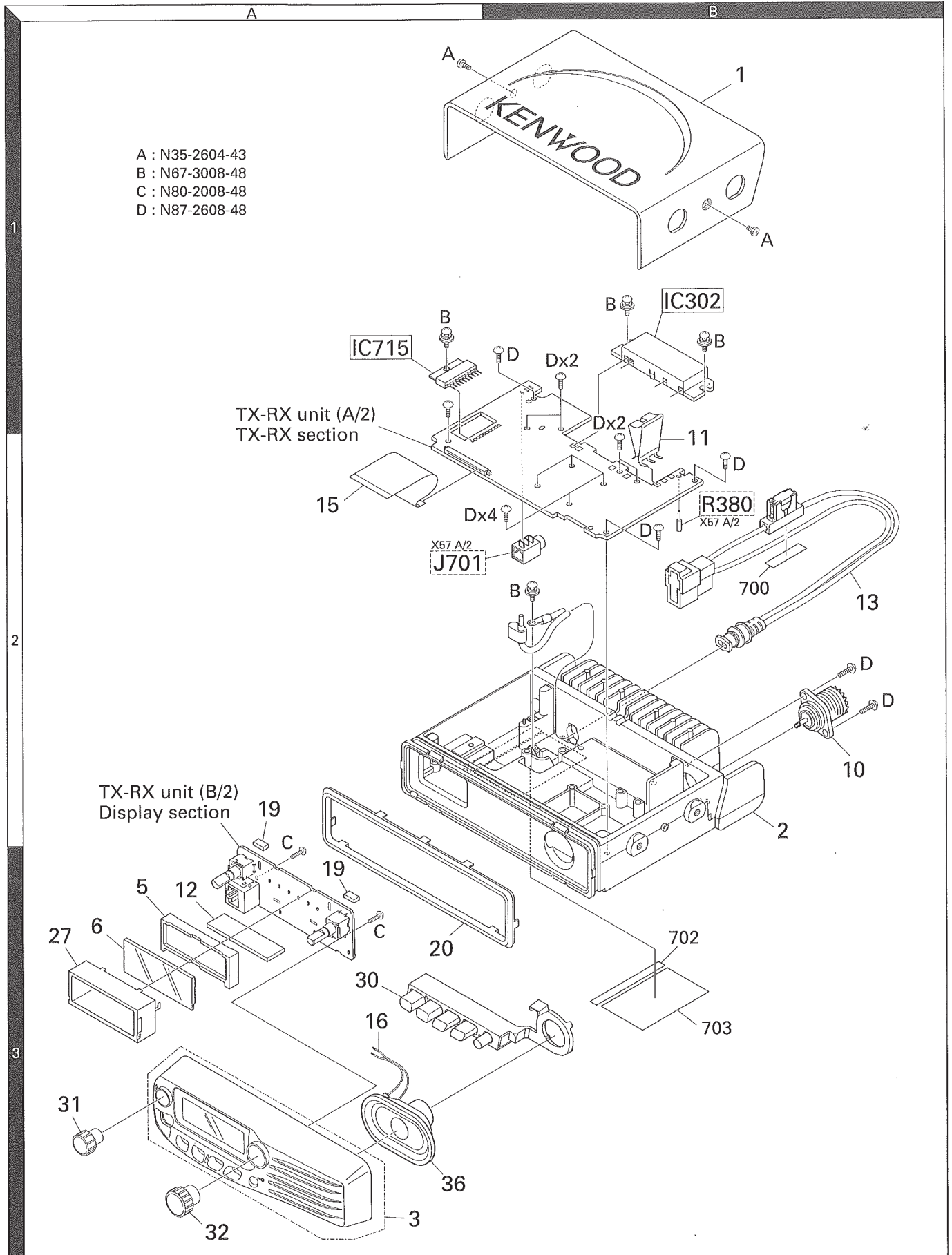
PACKING



Parts with the exploded numbers larger than 700 are not supplied.

TM-281A

EXPLODED VIEW



18 Parts with the exploded numbers larger than 700 are not supplied.
 If a part reference number is listed in a box on the exploded view of the PCB, that part does not come with the PCB.
 These parts must be ordered separately.

TM-281A

PARTS LIST

* New Parts. Δ indicates safety critical components.
 Parts without **Parts No.** are not supplied.
 Les articles non mentionnés dans le **Parts No.** ne sont pas fournis.
 Teile ohne **Parts No.** werden nicht geliefert.

L : Scandinavia K : USA P : Canada
 Y : PX (Far East, Hawaii) T : England E : Europe
 C : China X : Australia M : Other Areas

TM-281A TX-RX UNIT (X57-8130-XX)

Ref. No.	Address	New parts	Parts No.	Description	Destination	Ref. No.	Address	New parts	Parts No.	Description	Destination
TM-281A											
1	1B	*	A02-4156-01	PLASTIC CABINET		C16			CK73HB1H102K	CHIP C 1000PF	K
2	2B	*	A10-4152-01	CHASSIS		C17			CK73HB1H103K	CHIP C 0.010UF	K
3	3A	*	A62-1187-13	PANEL ASSY		C18			CK73HB1E104K	CHIP C 0.10UF	K
						C20,21			CK73HB1H471K	CHIP C 470PF	K
						C23			CK73HB1H471K	CHIP C 470PF	K
5	3A		B11-1809-03	ILLUMINATION GUIDE (LCD)		C25			C92-0863-05	CHIP TNTL 0.047UF	35WV
6	3A		B38-0885-15	LCD		C27			C92-0588-05	CHIP TNTL 1.5UF	16WV
7	3C	*	B62-2347-10	INSTRUCTION MANUAL	K,M2	C28			CK73HB1H471K	CHIP C 470PF	K
7	3C	*	B62-2348-10	INSTRUCTION MANUAL	M3	C29			CS77CA1V0R1M	CHIP TNTL 0.1UF	35WV
7	3C	*	B62-2349-10	INSTRUCTION MANUAL	M4	C34			CK73HB1H102K	CHIP C 1000PF	K
10	2B		E04-0167-15	RF COAXIAL RECEPTACLE (M)		C35			CC73HCH1H820J	CHIP C 82PF	J
11	2B		E23-1346-04	GROUND TERMINAL (CLIP)		C36			CC73HCH1H300J	CHIP C 30PF	J
12	3A		E29-1201-04	INTER CONNECTOR (LCD)		C38			CC73HCH1H100C	CHIP C 10PF	C
13	2B	*	E30-7743-05	DC CORD		C39			CC73HCH1H080B	CHIP C 8.0PF	B
14	1C	*	E30-7744-05	DC CORD ACCESSORY		C41			CC73HCH1H0R5B	CHIP C 0.5PF	B
15	2A	*	E37-1542-05	FLAT CABLE		C42,43			CK73HB1H471K	CHIP C 470PF	K
16	3A	*	E37-1545-05	PARALLEL CORD (SP)		C45			CC73HCH1H010B	CHIP C 1.0PF	B
						C46			CC73HCH1H0R5B	CHIP C 0.5PF	B
18	1C		F52-0024-05	FUSE (BLADE TYPE) 15A ACCESSORY		C48			CK73HB1H102K	CHIP C 1000PF	K
						C49			CC73HCH1H4R5B	CHIP C 4.5PF	B
19	3A	*	G13-2370-04	CUSHION (LCD)		C50			CC73HCH1H100C	CHIP C 10PF	C
20	3A	*	G53-1878-03	PACKING (PANEL)		C51			CC73HCH1H050B	CHIP C 5.0PF	B
22	1D	*	H12-4330-02	PACKING FIXTURE (RADIO)		C52			CC73HCH1H110G	CHIP C 11PF	G
23	2D	*	H12-4331-02	PACKING FIXTURE		C53			CK73HB1H102K	CHIP C 1000PF	K
24	2D	*	H52-2503-02	ITEM CARTON CASE	K	C54			CC73HCH1H0R3B	CHIP C 0.3PF	B
26	1C		J19-1584-15	HOLDER (MIC) ACCESSORY		C55			CC73HCH1H0R5B	CHIP C 0.5PF	B
27	3A		J21-8463-03	MOUNTING HARDWARE (LCD)		C56			CS77BB21C220M	CHIP TNTL 22UF	16WV
28	2C		J29-0726-03	BRACKET ACCESSORY		C57			CK73HB1H471K	CHIP C 470PF	K
						C58			CK73HB1H102K	CHIP C 1000PF	K
30	3A	*	K29-9497-01	KEY TOP		C59			CK73HB1H471K	CHIP C 470PF	K
31	3A	*	K29-9498-03	KNOB (VOL)							
32	3A	*	K29-9499-03	KNOB (ENC)		C60			CC73HCH1H060B	CHIP C 6.0PF	B
A	1A,1B		N35-2604-43	BINDING HEAD MACHINE SCREW		C61			CC73HCH1H030B	CHIP C 3.0PF	B
B	1A,1B,2B		N67-3008-48	PAN HEAD SEMS SCREW		C62			CC73HCH1H020B	CHIP C 2.0PF	B
C	3A		N80-2008-48	PAN HEAD TAPTITE SCREW		C63			CK73HB1H102K	CHIP C 1000PF	K
D	1B,2B		N87-2608-48	BRAZIER HEAD TAPTITE SCREW		C64			CC73HCH1H221J	CHIP C 220PF	J
34	2C	*	N99-2082-05	SCREW SET ACCESSORY		C65,66			CK73HB1H102K	CHIP C 1000PF	K
						C67			CC73HCH1H180J	CHIP C 18PF	J
36	3A		T07-0779-05	SPEAKER		C68-70			CK73HB1H102K	CHIP C 1000PF	K
37	1C		T91-0624-65	MICROPHONE ACCESSORY	M2	C71			CC73HCH1H390J	CHIP C 39PF	J
37	1C	*	T91-0641-75	MICROPHONE (DTMF) ACCESSORY	K,M3,M4	C72			CC73HCH1H180J	CHIP C 18PF	J
TX-RX UNIT (X57-8130-XX) -10: K -21: M2 -22: M3 -23: M4											
D903-911			B30-2337-05	LED (YELLOW)		C306			CK73HB1H102K	CHIP C 1000PF	K
C1			CK73FB0J226M	CHIP C 22UF	M	C308			CK73HB1H122K	CHIP C 1200PF	K
C3,4			CC73HCH1H101J	CHIP C 100PF	J	C309			CC73HCH1H060B	CHIP C 6.0PF	B
C5,6			CK73HB1H102K	CHIP C 1000PF	K	C310			CC73HCH1H080B	CHIP C 8.0PF	B
C7			CC73HCH1H101J	CHIP C 100PF	J	C312			CC73HCH1H120J	CHIP C 12PF	J
C9			CK73HB1E104K	CHIP C 0.10UF	K						
C10			CC73HCH1H680J	CHIP C 68PF	J	C318			CK73HB1H102K	CHIP C 1000PF	K
C11			CK73HB1E104K	CHIP C 0.10UF	K	C328			CC73HCH1H130J	CHIP C 13PF	J
C12			CK73FB1A106K	CHIP C 10UF	K	C329			CK73HB1H102K	CHIP C 1000PF	K
C14			CK73HB1E104K	CHIP C 0.10UF	K	C330			CC73HCH1H2R5B	CHIP C 2.5PF	B
C15			CK73FB1A106K	CHIP C 10UF	K	C331			CK73HB1E223K	CHIP C 0.022UF	K
						C332			CC73HCH1H151J	CHIP C 150PF	J
						C333			CK73FB1A475K	CHIP C 4.7UF	K
						C334			CK73HB1H102K	CHIP C 1000PF	K
						C338			CK73HB1H102K	CHIP C 1000PF	K
						C340			CC73HCH1H221J	CHIP C 220PF	J

PARTS LIST

TX-RX UNIT (X57-8130-XX)

Ref. No.	Address	New parts	Parts No.	Description	Desti-nation	Ref. No.	Address	New parts	Parts No.	Description	Desti-nation
C342			CC73HCH1H101J	CHIP C 100PF J		C538			CK73HB1H103K	CHIP C 0.010UF K	
C343			CK73HB1H102K	CHIP C 1000PF K		C539			CC73HCH1H020B	CHIP C 2.0PF B	
C344,345			CC73HCH1H101J	CHIP C 100PF J		C541			CK73HB1H102K	CHIP C 1000PF K	
C347			CK73HB1E104K	CHIP C 0.10UF K		C544			CK73HB1E104K	CHIP C 0.10UF K	
C348			CK73HB1H102K	CHIP C 1000PF K		C545			CC73HCH1H130J	CHIP C 13PF J	
C350			CK73HB1H102K	CHIP C 1000PF K		C546			CC73HCH1H270J	CHIP C 27PF J	
C354			CC73HCH1H220J	CHIP C 22PF J		C547			CK73HB1H102K	CHIP C 1000PF K	
C355			CC73HCH1H470J	CHIP C 47PF J		C548			CK73HB1H103K	CHIP C 0.010UF K	
C356			CC73HCH1H220J	CHIP C 22PF J		C549,550			CK73HB1H102K	CHIP C 1000PF K	
C365			C93-0556-05	CHIP C 6.0PF D		C551			CC73HCH1H101J	CHIP C 100PF J	
C394			CK73HB1E104K	CHIP C 0.10UF K		C552			CK73HB1H102K	CHIP C 1000PF K	
C395			CK73HB1H102K	CHIP C 1000PF K		C553			CC73HCH1H030B	CHIP C 3.0PF B	
C397			CK73HB1H102K	CHIP C 1000PF K		C554			CC73HCH1H240J	CHIP C 24PF J	
C399			CK73HB1H103K	CHIP C 0.010UF K		C555			CC73HCH1H010B	CHIP C 1.0PF B	
C400,401			CK73HB1H102K	CHIP C 1000PF K		C556			CK73HB1H102K	CHIP C 1000PF K	
C402			CK73HB1H103K	CHIP C 0.010UF K		C557			CC73HCH1H050B	CHIP C 5.0PF B	
C403			CC73GCH1H270J	CHIP C 27PF J		C558			CC73HCH1H330J	CHIP C 33PF J	
C404			C93-0563-05	CHIP C 18PF J		C559-562			CK73HB1H102K	CHIP C 1000PF K	
C405,406			C93-0603-05	CHIP C 1000PF K		C565-567			CK73HB1H102K	CHIP C 1000PF K	
C407			CK73HB1H102K	CHIP C 1000PF K		C568			CC73HCH1H101J	CHIP C 100PF J	
C408			CC73GCH1H0R5B	CHIP C 0.5PF B		C569			CK73HB1H102K	CHIP C 1000PF K	
C409			CC73GCH1H040B	CHIP C 4.0PF B		C570			CC73HCH1H010B	CHIP C 1.0PF B	
C410			C93-0563-05	CHIP C 18PF J		C571			CC73HCH1H180J	CHIP C 18PF J	
C412			CK73HB1H102K	CHIP C 1000PF K		C572			CK73HB1H102K	CHIP C 1000PF K	
C413			C93-0552-05	CHIP C 2.0PF C		C573			CC73HCH1H040B	CHIP C 4.0PF B	
C415			C93-0564-05	CHIP C 22PF J		C574			CC73HCH1H1R5B	CHIP C 1.5PF B	
C416			CK73HB1H102K	CHIP C 1000PF K		C575			CK73HB1H102K	CHIP C 1000PF K	
C417			CC73GCH1H0R5B	CHIP C 0.5PF B		C576			CC73HCH1H180J	CHIP C 18PF J	
C418			CC73GCH1H040B	CHIP C 4.0PF B		C577			CK73HB1H102K	CHIP C 1000PF K	
C420			C93-0554-05	CHIP C 4.0PF C		C578			CC73HCH1H390J	CHIP C 39PF J	
C421			C93-0563-05	CHIP C 18PF J		C579			CK73HB1H102K	CHIP C 1000PF K	
C422			CK73HB1H102K	CHIP C 1000PF K		C581			CC73HCH1H330J	CHIP C 33PF J	
C502			CK73HB1H103K	CHIP C 0.010UF K		C582			CC73HCH1H010B	CHIP C 1.0PF B	
C503			CC73HCH1H271J	CHIP C 270PF J		C583			CC73HCH1H040B	CHIP C 4.0PF B	
C504			CC73HCH1H560J	CHIP C 56PF J		C584-587			CK73HB1E104K	CHIP C 0.10UF K	
C505			CC73HCH1H680J	CHIP C 68PF J		C702,703			CK73HB1A473K	CHIP C 0.047UF K	
C506			CC73HCH1H470J	CHIP C 47PF J		C713			CK73HB1H102K	CHIP C 1000PF K	
C507			CK73HB1H103K	CHIP C 0.010UF K		C718-720			CK73HB1H102K	CHIP C 1000PF K	
C508,509			CK73HB1A105K	CHIP C 1.0UF K		C722			CK73HB1H102K	CHIP C 1000PF K	
C510			CK73HB1H103K	CHIP C 0.010UF K		C724			CK73FB1A106K	CHIP C 10UF K	
C511			CK73FB1A106K	CHIP C 10UF K		C725			CK73HB1E104K	CHIP C 0.10UF K	
C513			CC73HCH1H331J	CHIP C 330PF J		C726			CK73HB1A393K	CHIP C 0.039UF K	
C514,515			CK73HB1E104K	CHIP C 0.10UF K		C726			CK73HB1A683K	CHIP C 0.068UF K	
C516			CC73HCH1H331J	CHIP C 330PF J		C727			CK73HB1H102K	CHIP C 1000PF K	
C517			CK73HB1E104K	CHIP C 0.10UF K		C728			CK73GB0J225K	CHIP C 2.2UF K	
C518			CC73HCH1H101J	CHIP C 100PF J		C729			CK73FB1A106K	CHIP C 10UF K	
C519			CK73FB1A106K	CHIP C 10UF K		C731			CK73HB1H103K	CHIP C 0.010UF K	
C520			CK73HB1H102K	CHIP C 1000PF K		C732			CK73HB1H102K	CHIP C 1000PF K	
C521			CK73HB1H103K	CHIP C 0.010UF K		C732			CK73HB1H681K	CHIP C 680PF K	
C522			CC73HCH1H270J	CHIP C 27PF J		C733			CK73HB1E104K	CHIP C 0.10UF K	
C523			CK73HB1E562K	CHIP C 5600PF K		C734			CK73HB1A393K	CHIP C 0.039UF K	
C524			CK73HB1E104K	CHIP C 0.10UF K		C734			CK73HB1C223K	CHIP C 0.022UF K	
C525			CK73HB1A224K	CHIP C 0.22UF K		C735			CC73HCH1H680J	CHIP C 68PF J	
C527			CC73HCH1H050B	CHIP C 5.0PF B		C736			CK73FB1A106K	CHIP C 10UF K	
C528			CK73HB1H103K	CHIP C 0.010UF K		C737			CK73HB1H102K	CHIP C 1000PF K	
C530			CK73HB1E223K	CHIP C 0.022UF K		C738			CK73HB1E104K	CHIP C 0.10UF K	
C533			CC73HCH1H060B	CHIP C 6.0PF B		C739			CK73HB1H102K	CHIP C 1000PF K	
C534			CK73HB1A393K	CHIP C 0.039UF K		C740			CK73HB1E104K	CHIP C 0.10UF K	
C535			CK73HB1H102K	CHIP C 1000PF K		C742			CK73HB1H821K	CHIP C 820PF K	
C537			CC73HCH1H200J	CHIP C 20PF J		C743			CK73HB1H102K	CHIP C 1000PF K	

K,M2,M3
M4

K,M2,M3
M4

M4
K,M2,M3

PARTS LIST

TX-RX UNIT (X57-8130-XX)

Ref. No.	Address	New parts	Parts No.	Description	Destination	Ref. No.	Address	New parts	Parts No.	Description	Destination
C744			CK73FB1A106K	CHIP C 10UF K		C828			CK73HB1H102K	CHIP C 1000PF K	
C745			CC73HCH1H390J	CHIP C 39PF J		C829			CK73HB1H103K	CHIP C 0.010UF K	
C746			CK73HB1E104K	CHIP C 0.10UF K		C830			CK73HB1H102K	CHIP C 1000PF K	
C747			CK73FB1A106K	CHIP C 10UF K		C831			CE32CL1C470M	ELECTRO 47UF 16WV	
C748			CK73HB1H102K	CHIP C 1000PF K		C832			CK73HB1E104K	CHIP C 0.10UF K	
C749			CK73HB1H103K	CHIP C 0.010UF K		C833-835			CK73HB1H102K	CHIP C 1000PF K	
C750			CC73HCH1H151J	CHIP C 150PF J		C836			C90-4129-05	ELECTRO 330UF 25WV	
C751			CK73GB1A105K	CHIP C 1.0UF K		C837			CK73HB1H103K	CHIP C 0.010UF K	
C752			CK73HB1H392K	CHIP C 3900PF K		C838			CK73HB1H102K	CHIP C 1000PF K	
C753			CK73HB1E472K	CHIP C 4700PF K		C839			C90-4129-05	ELECTRO 330UF 25WV	
C754			CK73FB1A106K	CHIP C 10UF K		C840			CK73HB1E104K	CHIP C 0.10UF K	
C757,758			CK73FB1A106K	CHIP C 10UF K		C844			CK73HB1H102K	CHIP C 1000PF K	
C761			CK73HB1E104K	CHIP C 0.10UF K		C847			CK73HB1H102K	CHIP C 1000PF K	
C763			CC73HCH1H030B	CHIP C 3.0PF B		C848-851			CK73FB1A106K	CHIP C 10UF K	
C764			CC73HCH1H050B	CHIP C 5.0PF B		C853,854			CK73FB0J226M	CHIP C 22UF M	
C765			CK73HB1H102K	CHIP C 1000PF K		C901-903			CK73HB1A104K	CHIP C 0.10UF K	
C766			CC73HCH1H050B	CHIP C 5.0PF B		C910			CK73HB1H102K	CHIP C 1000PF K	
C767			CC73HCH1H030B	CHIP C 3.0PF B		C912			CK73HB1H102K	CHIP C 1000PF K	
C768			CK73HB1E104K	CHIP C 0.10UF K		C915			CC73HCH1H101J	CHIP C 100PF J	
C769			CK73HB1H102K	CHIP C 1000PF K		C916-918			CK73HB1H102K	CHIP C 1000PF K	
C771			CK73HB1H102K	CHIP C 1000PF K		C920			CK73HB1H471K	CHIP C 470PF K	
C772			CK73HB1E104K	CHIP C 0.10UF K		C921			CK73GB1A105K	CHIP C 1.0UF K	
C774			CK73HB1H182K	CHIP C 1800PF K		C922			CK73HB1H102K	CHIP C 1000PF K	
C775			CK73HB1H392K	CHIP C 3900PF K		C924			CK73HB1A104K	CHIP C 0.10UF K	
C776			CK73HB1H102K	CHIP C 1000PF K		C926,927			CC73HCH1H101J	CHIP C 100PF J	
C777			CK73HB1A474K	CHIP C 0.47UF K		C928			CK73HB1H681K	CHIP C 680PF K	
C778			CK73GB1A105K	CHIP C 1.0UF K		C929			CK73HB1H102K	CHIP C 1000PF K	
C779			CK73HB1E104K	CHIP C 0.10UF K		TC1			C05-0245-05	CERAMIC TRIMMER CAPACITOR (10PF)	
C781			CK73HB1H102K	CHIP C 1000PF K		TC2			C05-0399-05	CERAMIC TRIMMER CAPACITOR (6PF)	
C782			CK73HB1E104K	CHIP C 0.10UF K		CN501			E23-1325-05	TERMINAL	
C783			CK73GB1A105K	CHIP C 1.0UF K		CN702		*	E40-6898-05	FLAT CABLE CONNECTOR (22P)	
C784,785			CK73HB1H103K	CHIP C 0.010UF K		CN901		*	E40-6897-05	FLAT CABLE CONNECTOR (22P)	
C786			CK73HB1A393K	CHIP C 0.039UF K		J701	2B	*	E11-0425-05	3.5D PHONE JACK (EXT SP)	
C787			CK73HB1E103K	CHIP C 0.010UF K		J901			E58-0535-05	MODULAR JACK (MIC)	
C788			CK73HB1H103K	CHIP C 0.010UF K		F701			F53-0327-15	FUSE (4A)	
C789,790			CK73HB1C333K	CHIP C 0.033UF K		CD501			L79-1914-05	TUNING COIL	
C793			CK73HB1C183K	CHIP C 0.018UF K		CF501			L72-1034-05	CERAMIC FILTER (450KHZ/WIDE)	
C794			CK73HB1C822K	CHIP C 8200PF K		CF502			L72-0999-05	CERAMIC FILTER (450KHZ/NARROW)	
C795			CK73HB1A224K	CHIP C 0.22UF K		L1		*	L92-0622-15	CHIP FERRITE	
C796			CK73HB1H122K	CHIP C 1200PF K		L2		*	L41-1005-08	SMALL FIXED INDUCTOR (10UH)	
C797			CC73HCH1H390J	CHIP C 39PF J		L3		*	L92-0621-15	CHIP FERRITE	
C798			CK73HB1A224K	CHIP C 0.22UF K		L5		*	L92-0620-15	CHIP FERRITE	
C799			CK73GB0J475K	CHIP C 4.7UF K		L6-9			L40-2785-92	SMALL FIXED INDUCTOR (270NH)	
C800,801			CK73HB1H102K	CHIP C 1000PF K		L10		*	L92-0622-15	CHIP FERRITE	
C802			CK73FB1A106K	CHIP C 10UF K		L11		*	L41-4778-14	SMALL FIXED INDUCTOR (47NH)	
C804			CK73HB1H103K	CHIP C 0.010UF K		L12			L41-3378-14	SMALL FIXED INDUCTOR (33NH)	
C805			CK73HB1H102K	CHIP C 1000PF K		L13-16			L40-2702-86	SMALL FIXED INDUCTOR (27UH)	
C806,807			CK73FB1A106K	CHIP C 10UF K		L17		*	L92-0622-15	CHIP FERRITE	
C808,809			CK73GB1A105K	CHIP C 1.0UF K		L18		*	L40-3375-71	SMALL FIXED INDUCTOR (33NH)	
C810,811			CK73HB1E104K	CHIP C 0.10UF K		L19		*	L92-0622-15	CHIP FERRITE	
C814			CK73FB1A106K	CHIP C 10UF K		L20			L40-1085-71	SMALL FIXED INDUCTOR (100NH)	
C815			CK73HB1E104K	CHIP C 0.10UF K		L21			L40-3975-71	SMALL FIXED INDUCTOR (39NH)	
C816			CK73HB1A224K	CHIP C 0.22UF K		L302			L40-2275-71	SMALL FIXED INDUCTOR (22NH)	
C817			CK73HB1H102K	CHIP C 1000PF K		L305			L40-1075-71	SMALL FIXED INDUCTOR (10NH)	
C818			CK73FB0J226M	CHIP C 22UF M		L308			L40-8265-92	SMALL FIXED INDUCTOR (8.2NH)	
C820-823			CK73HB1H102K	CHIP C 1000PF K		L309			L40-1285-92	SMALL FIXED INDUCTOR (120NH)	
C824			CK73HB1E104K	CHIP C 0.10UF K		L310			L40-4775-92	SMALL FIXED INDUCTOR (47NH)	
C825			CK73FB0J226M	CHIP C 22UF M		L312-314			L92-0179-05	CHIP FERRITE	
C826			CK73HB1H102K	CHIP C 1000PF K		L315,316			L34-4902-05	AIR-CORE COIL (9.5T)	
C827			CK73FB1E475K	CHIP C 4.7UF K							

PARTS LIST

TX-RX UNIT (X57-8130-XX)

Ref. No.	Address	New parts	Parts No.	Description	Destination	Ref. No.	Address	New parts	Parts No.	Description	Destination
L317			L34-1039-05	AIR-CORE COIL (1.5T)		R336			RK73HB1J470J	CHIP R 47 J 1/16W	
L318-320			L34-4903-05	AIR-CORE COIL (5T)		R337			RK73HB1J101J	CHIP R 100 J 1/16W	
L502-504			L40-3381-86	SMALL FIXED INDUCTOR (0.33UH)		R338			RK73HB1J154J	CHIP R 150K J 1/16W	
L505			L40-3391-86	SMALL FIXED INDUCTOR (3.3UH)		R339			RK73HB1J103J	CHIP R 10K J 1/16W	
L506,507			L41-3988-14	SMALL FIXED INDUCTOR (390NH)		R340			RK73HB1J223J	CHIP R 22K J 1/16W	
L508			L40-4775-71	SMALL FIXED INDUCTOR (47NH)		R341			RK73HB1J154J	CHIP R 150K J 1/16W	
L510,511			L41-6878-14	SMALL FIXED INDUCTOR (68NH)		R342			RK73HB1J152J	CHIP R 1.5K J 1/16W	
L512			L41-3385-14	SMALL FIXED INDUCTOR (330NH)		R344,345			RK73HB1J104J	CHIP R 100K J 1/16W	
L514,515			L41-6878-14	SMALL FIXED INDUCTOR (68NH)		R346			RK73EB2E221J	CHIP R 220 J 1/4W	
L701,702		*	L92-0622-15	CHIP FERRITE		R347			RK73HB1J152J	CHIP R 1.5K J 1/16W	
L901		*	L92-0621-15	CHIP FERRITE		R348			RK73HB1J153J	CHIP R 15K J 1/16W	
X1			L77-1944-05	TCXO (16.8MHZ)		R349			RK73EB2E221J	CHIP R 220 J 1/4W	
X701		*	L78-1427-05	RESONATOR (8.00MHZ)		R350			RK73HB1J200J	CHIP R 10 J 1/16W	
XF501			L71-0655-05	MCF (49.95MHZ)		R351			RK73HB1J473J	CHIP R 47K J 1/16W	
CP901			RK75GB1J102J	CHIP-COM 1.0K J 1/16W		R377,378			RK73HB1J103J	CHIP R 10K J 1/16W	
R1			RK73HB1J104J	CHIP R 100K J 1/16W		R380	2B		R92-1061-05	JUMPER REST 0 OHM	
R2-4			RK73HB1J102J	CHIP R 1.0K J 1/16W		R501			RK73HB1J124J	CHIP R 120K J 1/16W	
R5			RK73HB1J103J	CHIP R 10K J 1/16W		R502			RK73HB1J101J	CHIP R 100 J 1/16W	
R6			RK73HB1J152J	CHIP R 1.5K J 1/16W		R503			RK73HB1J682J	CHIP R 6.8K J 1/16W	
R7			RK73HB1J100J	CHIP R 10 J 1/16W		R504-507			RK73HB1J103J	CHIP R 10K J 1/16W	
R8			RK73HB1J104J	CHIP R 100K J 1/16W		R508			RK73HB1J682J	CHIP R 6.8K J 1/16W	
R9			RK73HB1J471J	CHIP R 470 J 1/16W		R509			RK73HB1J000J	CHIP R 0.0 J 1/16W	
R10			RK73HB1J822J	CHIP R 8.2K J 1/16W		R510			RK73HB1J102J	CHIP R 1.0K J 1/16W	
R11			RK73HB1J103J	CHIP R 10K J 1/16W		R511			RK73HB1J223J	CHIP R 22K J 1/16W	
R12			RK73HB1J562J	CHIP R 5.6K J 1/16W		R512			RK73HB1J564J	CHIP R 560K J 1/16W	
R13			RK73HB1J103J	CHIP R 10K J 1/16W		R514,515			RK73HB1J472J	CHIP R 4.7K J 1/16W	
R15			RK73HB1J102J	CHIP R 1.0K J 1/16W		R517			RK73HB1J182J	CHIP R 1.8K J 1/16W	
R16			RK73HB1J000J	CHIP R 0.0 J 1/16W		R519			RK73HB1J103J	CHIP R 10K J 1/16W	
R17			RK73HB1J471J	CHIP R 470 J 1/16W		R520			RK73HB1J474J	CHIP R 470K J 1/16W	
R18			RK73HB1J000J	CHIP R 0.0 J 1/16W		R521			RK73HB1J102J	CHIP R 1.0K J 1/16W	
R19			RK73HB1J272J	CHIP R 2.7K J 1/16W		R522			RK73HB1J101J	CHIP R 100 J 1/16W	
R20			RK73HB1J102J	CHIP R 1.0K J 1/16W		R523			RK73HB1J000J	CHIP R 0.0 J 1/16W	
R21			RK73HB1J152J	CHIP R 1.5K J 1/16W		R524			RK73HB1J394J	CHIP R 390K J 1/16W	
R22			RK73HB1J223J	CHIP R 22K J 1/16W		R525			RK73HB1J271J	CHIP R 270 J 1/16W	
R23			RK73HB1J103J	CHIP R 10K J 1/16W		R526			RK73HB1J000J	CHIP R 0.0 J 1/16W	
R24			RK73HB1J104J	CHIP R 100K J 1/16W		R527			RK73HB1J474J	CHIP R 470K J 1/16W	
R25-27			RK73HB1J473J	CHIP R 47K J 1/16W		R528			RK73HB1J102J	CHIP R 1.0K J 1/16W	
R28			RK73HB1J221J	CHIP R 220 J 1/16W		R529			RK73HB1J394J	CHIP R 390K J 1/16W	
R29			RK73HB1J471J	CHIP R 470 J 1/16W		R531			RK73HB1J101J	CHIP R 100 J 1/16W	
R30			RK73HB1J104J	CHIP R 100K J 1/16W		R532			RK73HB1J000J	CHIP R 0.0 J 1/16W	
R31			RK73HB1J472J	CHIP R 4.7K J 1/16W		R534			RK73HB1J221J	CHIP R 220 J 1/16W	
R32			RK73HB1J221J	CHIP R 220 J 1/16W		R535			RK73HB1J000J	CHIP R 0.0 J 1/16W	
R33			RK73HB1J101J	CHIP R 100 J 1/16W		R536			RK73HB1J561J	CHIP R 560 J 1/16W	
R34			RK73HB1J102J	CHIP R 1.0K J 1/16W		R537			RK73HB1J474J	CHIP R 470K J 1/16W	
R35			RK73HB1J124J	CHIP R 120K J 1/16W		R538			RK73HB1J224J	CHIP R 220K J 1/16W	
R37			RK73HB1J000J	CHIP R 0.0 J 1/16W		R539			RK73HB1J181J	CHIP R 180 J 1/16W	
R38			RK73HB1J101J	CHIP R 100 J 1/16W		R540			RK73HB1J473J	CHIP R 47K J 1/16W	
R40			RK73HB1J102J	CHIP R 1.0K J 1/16W		R541			RK73HB1J333J	CHIP R 33K J 1/16W	
R41			RK73HB1J103J	CHIP R 10K J 1/16W		R542			RK73HB1J000J	CHIP R 0.0 J 1/16W	
R42			RK73HB1J822J	CHIP R 8.2K J 1/16W		R543,544			RK73HB1J104J	CHIP R 100K J 1/16W	
R43-45			RK73HB1J101J	CHIP R 100 J 1/16W		R545			RK73HB1J102J	CHIP R 1.0K J 1/16W	
R46			RK73HB1J222J	CHIP R 2.2K J 1/16W		R546			RK73HB1J101J	CHIP R 100 J 1/16W	
R304			RK73HB1J102J	CHIP R 1.0K J 1/16W		R547			RK73HB1J000J	CHIP R 0.0 J 1/16W	
R307			RK73HB1J000J	CHIP R 0.0 J 1/16W		R549			RK73HB1J151J	CHIP R 150 J 1/16W	
R312			RK73HB1J472J	CHIP R 4.7K J 1/16W		R550			RK73HB1J103J	CHIP R 10K J 1/16W	
R314			RK73HB1J223J	CHIP R 22K J 1/16W		R551			RK73HB1J104J	CHIP R 100K J 1/16W	
R326			RK73HB1J123J	CHIP R 12K J 1/16W		R552			RK73HB1J473J	CHIP R 47K J 1/16W	
R331,332			RK73HB1J100J	CHIP R 10 J 1/16W		R553			RK73HB1J273J	CHIP R 27K J 1/16W	
R333,334			RK73HB1J101J	CHIP R 100 J 1/16W		R554,555			RK73HB1J104J	CHIP R 100K J 1/16W	
						R556			RK73FB2B000J	CHIP R 0.0 J 1/8W	

PARTS LIST

TX-RX UNIT (X57-8130-XX)

Ref. No.	Address	New parts	Parts No.	Description	Desti-nation	Ref. No.	Address	New parts	Parts No.	Description	Desti-nation
R557			RK73HB1J104J	CHIP R 100K J 1/16W		R771			RK73HB1J473J	CHIP R 47K J 1/16W	
R558			RK73HB1J473J	CHIP R 47K J 1/16W		R772			RK73HB1J103J	CHIP R 10K J 1/16W	
R559			RK73HB1J273J	CHIP R 27K J 1/16W		R773			RK73HB1J000J	CHIP R 0.0 J 1/16W	
R560			RK73HB1J000J	CHIP R 0.0 J 1/16W		R774			RK73HB1J472J	CHIP R 4.7K J 1/16W	
R701			RK73HB1J000J	CHIP R 0.0 J 1/16W		R775			RK73HB1J102J	CHIP R 1.0K J 1/16W	
R702,703			RK73HB1J101J	CHIP R 100 J 1/16W		R776			RK73HB1J152J	CHIP R 1.5K J 1/16W	
R704,705			RK73HB1J102J	CHIP R 1.0K J 1/16W		R777,778			RK73HB1J103J	CHIP R 10K J 1/16W	
R706			RK73HB1J000J	CHIP R 0.0 J 1/16W		R779-781			RK73HB1J473J	CHIP R 47K J 1/16W	
R707			RK73HB1J102J	CHIP R 1.0K J 1/16W		R782			RK73HB1J102J	CHIP R 1.0K J 1/16W	
R708			RK73HB1J000J	CHIP R 0.0 J 1/16W		R783			RK73HB1J393J	CHIP R 39K J 1/16W	
R710,711			RK73GH2A153D	CHIP R 15K D 1/10W		R784			RK73HB1J153J	CHIP R 15K J 1/16W	
R713			RK73HB1J821J	CHIP R 820 J 1/16W		R785			RK73HB1J123J	CHIP R 12K J 1/16W	
R714			RK73HB1J104J	CHIP R 100K J 1/16W		R786			RK73HB1J154J	CHIP R 150K J 1/16W	
R715			RK73HB1J681J	CHIP R 680 J 1/16W		R787			RK73HB1J124J	CHIP R 120K J 1/16W	
R716			RK73HB1J101J	CHIP R 100 J 1/16W		R789			RK73HB1J224J	CHIP R 220K J 1/16W	
R717			RK73HB1J103J	CHIP R 10K J 1/16W	M4	R790			RK73HB1J123J	CHIP R 12K J 1/16W	
R717			RK73HB1J183J	CHIP R 18K J 1/16W	K,M2,M3	R791			RK73GH2A124D	CHIP R 120K D 1/10W	
R718			RK73HB1J152J	CHIP R 1.5K J 1/16W		R792			RK73GH2A562D	CHIP R 5.6K D 1/10W	
R719			RK73HB1J122J	CHIP R 1.2K J 1/16W		R793			RK73GH2A913D	CHIP R 91K D 1/10W	
R721			RK73HB1J105J	CHIP R 1.0M J 1/16W	M4	R794			RK73HB1J124J	CHIP R 120K J 1/16W	
R721			RK73HB1J754J	CHIP R 750K J 1/16W	K,M2,M3	R795			RK73GH2A562D	CHIP R 5.6K D 1/10W	
R722			RK73HB1J152J	CHIP R 1.5K J 1/16W		R796			RK73HB1J183J	CHIP R 18K J 1/16W	
R723			RK73HB1J912J	CHIP R 9.1K J 1/16W		R797			RK73HB1J272J	CHIP R 2.7K J 1/16W	
R724			RK73HB1J682J	CHIP R 6.8K J 1/16W		R799			RK73HB1J474J	CHIP R 470K J 1/16W	
R725		*	RK73HB1J244J	CHIP R 240K J 1/16W		R800			RK73HB1J562J	CHIP R 5.6K J 1/16W	
R726			RK73HB1J183J	CHIP R 18K J 1/16W		R801			RK73HB1J000J	CHIP R 0.0 J 1/16W	
R727			RK73HB1J334J	CHIP R 330K J 1/16W		R802			RK73HB1J473J	CHIP R 47K J 1/16W	
R728			RK73HB1J823J	CHIP R 82K J 1/16W		R803			RK73HB1J392J	CHIP R 3.9K J 1/16W	
R729			RK73HB1J124J	CHIP R 120K J 1/16W		R804			RK73HB1J123J	CHIP R 12K J 1/16W	
R730			RK73HB1J823J	CHIP R 82K J 1/16W		R805			RK73HB1J562J	CHIP R 5.6K J 1/16W	
R733			RK73HB1J684J	CHIP R 680K J 1/16W		R806			RK73HB1J272J	CHIP R 2.7K J 1/16W	
R734			RK73HB1J224J	CHIP R 220K J 1/16W		R807			RK73HB1J105J	CHIP R 1.0M J 1/16W	
R735			RK73HB1J274J	CHIP R 270K J 1/16W		R808			RK73HB1J153J	CHIP R 15K J 1/16W	
R736,737			RK73HB1J103J	CHIP R 10K J 1/16W		R809			RK73HB1J471J	CHIP R 470 J 1/16W	
R738			RK73HB1J683J	CHIP R 68K J 1/16W		R810			RK73HB1J153J	CHIP R 15K J 1/16W	
R739			RK73HB1J223J	CHIP R 22K J 1/16W		R811			RK73HB1J000J	CHIP R 0.0 J 1/16W	
R740			RK73HB1J683J	CHIP R 68K J 1/16W		R812			RK73HB1J222J	CHIP R 2.2K J 1/16W	
R741			RK73HB1J154J	CHIP R 150K J 1/16W		R813			RK73HB1J473J	CHIP R 47K J 1/16W	
R742			RK73HB1J124J	CHIP R 120K J 1/16W		R814			RK73HB1J152J	CHIP R 1.5K J 1/16W	
R743-745			RK73HB1J102J	CHIP R 1.0K J 1/16W		R815			RK73HB1J472J	CHIP R 4.7K J 1/16W	
R746			RK73HB1J823J	CHIP R 82K J 1/16W		R816,817			RK73HB1J473J	CHIP R 47K J 1/16W	
R747			RK73HB1J104J	CHIP R 100K J 1/16W		R818			RK73HB1J683J	CHIP R 68K J 1/16W	
R748			RK73HB1J223J	CHIP R 22K J 1/16W		R819			RK73HB1J123J	CHIP R 12K J 1/16W	
R749			RK73HB1J562J	CHIP R 5.6K J 1/16W		R820			RK73HB1J221J	CHIP R 220 J 1/16W	
R750,751			RK73HB1J102J	CHIP R 1.0K J 1/16W		R821			RK73HB1J473J	CHIP R 47K J 1/16W	
R752-755			RK73HB1J473J	CHIP R 47K J 1/16W		R822			RK73HB1J334J	CHIP R 330K J 1/16W	
R756			RK73HB1J103J	CHIP R 10K J 1/16W		R823			RK73HB1J391J	CHIP R 390 J 1/16W	
R757			RK73HB1J473J	CHIP R 47K J 1/16W		R824			RK73HB1J474J	CHIP R 470K J 1/16W	
R758			RK73HB1J000J	CHIP R 0.0 J 1/16W		R825			RK73HB1J394J	CHIP R 390K J 1/16W	
R759			RK73HB1J102J	CHIP R 1.0K J 1/16W		R826			RK73HB1J473J	CHIP R 47K J 1/16W	
R760,761			RK73HB1J473J	CHIP R 47K J 1/16W		R827			RK73HB1J334J	CHIP R 330K J 1/16W	
R762			RK73HB1J103J	CHIP R 10K J 1/16W		R828,829			RK73HB1J000J	CHIP R 0.0 J 1/16W	
R763			RK73HB1J000J	CHIP R 0.0 J 1/16W		R830-833			RK73FB2000J	CHIP R 0.0 J 1/8W	
R764			RK73GB2A000J	CHIP R 0.0 J 1/10W		R834			RK73HB1J102J	CHIP R 1.0K J 1/16W	
R765			RK73HB1J102J	CHIP R 1.0K J 1/16W		R835			RK73HB1J000J	CHIP R 0.0 J 1/16W	K
R766-768			RK73GB2A000J	CHIP R 0.0 J 1/10W	K	R836			RK73HB1J000J	CHIP R 0.0 J 1/16W	M2
R767,768			RK73GB2A000J	CHIP R 0.0 J 1/10W	M4	R837			RK73HB1J000J	CHIP R 0.0 J 1/16W	M3
R768			RK73GB2A000J	CHIP R 0.0 J 1/10W	M3	R838			RK73HB1J000J	CHIP R 0.0 J 1/16W	M4
R769			RK73HB1J102J	CHIP R 1.0K J 1/16W		R841,842			RK73HB1J103J	CHIP R 10K J 1/16W	
R770			RK73HB1J000J	CHIP R 0.0 J 1/16W		R843			RK73HB1J473J	CHIP R 47K J 1/16W	

PARTS LIST

TX-RX UNIT (X57-8130-XX)

Ref. No.	Address	New parts	Parts No.	Description	Destination	Ref. No.	Address	New parts	Parts No.	Description	Destination
R844			RK73HB1J103J	CHIP R 10K J 1/16W		IC710			XC6209B502P-G	MOS-IC	
R901			RK73HB1J000J	CHIP R 0.0 J 1/16W		IC711		*	TA7808F-NQ	ANALOGUE IC	
R902,903			RK73HB1J472J	CHIP R 4.7K J 1/16W		IC712			XC61CN4002MR	MOS-IC	
R904-906			RK73HB1J000J	CHIP R 0.0 J 1/16W		IC713			TA7805F-NQ	MOS-IC	
R908			RK73HB1J101J	CHIP R 100 J 1/16W		IC714		*	XC61CN3202MR	MOS-IC	
R909			RK73HB1J102J	CHIP R 1.0K J 1/16W		IC715	1A		LA4600	BI-POLAR IC	
R910-912			RK73HB1J103J	CHIP R 10K J 1/16W		IC901			PT6554LQ	MOS-IC	
R913			RK73HB1J563J	CHIP R 56K J 1/16W		Q1			2SA1832(GR)F	TRANSISTOR	
R914			RK73HB1J102J	CHIP R 1.0K J 1/16W		Q2			2SC473B(GR)F	TRANSISTOR	
R915			RK73HB1J152J	CHIP R 1.5K J 1/16W		Q3			2SC4649(N,P)	TRANSISTOR	
R916			RK73HB1J183J	CHIP R 18K J 1/16W		Q4			MCH3914(7)-H	FET	
R917			RK73HB1J392J	CHIP R 3.9K J 1/16W		Q5			2SJ347F	FET	
R918			RK73HB1J821J	CHIP R 820 J 1/16W		Q6			MCH3914(7)-H	FET	
R919			RK73HB1J272J	CHIP R 2.7K J 1/16W		Q7			UMC4N	TRANSISTOR	
R920			RK73HB1J183J	CHIP R 18K J 1/16W		Q8			KTC4075E(Y,GR)	TRANSISTOR	
R921			RK73HB1J104J	CHIP R 100K J 1/16W		Q9,10			2SC5108(Y)F	TRANSISTOR	
R922-924			RK73HB1J331J	CHIP R 330 J 1/16W		Q303			RD00HVS1-T113	FET	
VR901			R31-0662-05	VARIABLE RESISTOR		Q501			KTC4080E-P	TRANSISTOR	
D1			HZU5ALL	DIODE		Q502			2SC4617(S)	TRANSISTOR	
D2			DA2S101	DIODE		Q503			KTC4080E-P	TRANSISTOR	
D3-6		*	HVC359	VARIABLE CAPACITANCE DIODE		Q504			3SK318	FET	
D7			1SV278F	VARIABLE CAPACITANCE DIODE		Q505			3SK294-FP	FET	
D8			DA2S101	DIODE		Q506			2SK1830F	FET	
D9,10			HSC277	DIODE		Q701-703			2SC4919-S	TRANSISTOR	
D301			UDZW5.1(B)	ZENER DIODE		Q704,705			2SK3019	FET	
D305			DA2S101	DIODE		Q706			2SC2412K	TRANSISTOR	
D306,307			L407CDB	DIODE (50V/1W)		Q707-709			RT1N141U-T111	TRANSISTOR	
D309		*	JDP2S12CR	DIODE		Q710,711			2SB1694	TRANSISTOR	
D311		*	JDP2S12CR	DIODE		Q712			DTC363EU	DIGITAL TRANSISTOR	
D312			RB521S-30	DIODE		Q713			RT1N141U-T111	TRANSISTOR	
D313,314			HSB88AS-E	DIODE		Q714			2SJ645	FET	
D316			RB521S-30	DIODE		Q715			RT1N141U-T111	TRANSISTOR	
D501,502			MC2858-T111	DIODE		Q901			RT1P141U-T111	TRANSISTOR	
D503			HSB88AS-E	DIODE		Q902			RT1N141U-T111	TRANSISTOR	
D504			DA2S101	DIODE		Q903			2SB1132(Q,R)	TRANSISTOR	
D505,506			1SV325F	VARIABLE CAPACITANCE DIODE		Q904			UMG3N	TRANSISTOR	
D508,509			1SV325F	VARIABLE CAPACITANCE DIODE		TH501			NCP18WM474J0S	THERMISTOR	
D702			MC2850	DIODE		TH702,703			NCP18WF104J03	THERMISTOR	
D704-706			MC2850	DIODE		S901			W02-3704-05	ENCODER	
D708			DA2S101	DIODE							
D709			1SS372F	DIODE							
D710			DA2S101	DIODE							
D711			1SS372F	DIODE							
D712			UDZW18(B)	ZENER DIODE							
D714			Z5W27V	SURGE ABSORBER							
D901			1SS355	DIODE							
D902			UDZW6.2(B)	ZENER DIODE							
IC1			MB15A02PFV2E1	MOS-IC							
IC2			UPB1509GV	BI-POLAR IC							
IC302	1B	*	RA60H1317M231	MOS-IC (POWER MODULE)							
IC303			NJM12904RB1	MOS-IC							
IC501			UA31136L	MOS-IC							
IC703			NJM2100V-ZB	MOS-IC							
IC704			NJM12904RB1	MOS-IC							
IC705			M62363FP-F	MOS-IC							
IC706			BA10324AFV	MOS-IC							
IC707			30622MEP540GU	MICROCONTROLLER IC							
IC708			EX24064ASAS0A	ROM IC							
IC709			BA10324AFV	MOS-IC							

If a part reference number is listed in a shaded box, that part does not come with the PCB.