

PARTS LIST

KD-AHD69J, KD-HDR60J

MODEL	MARK
KD-AHD69J	A
KD-HDR60J	B

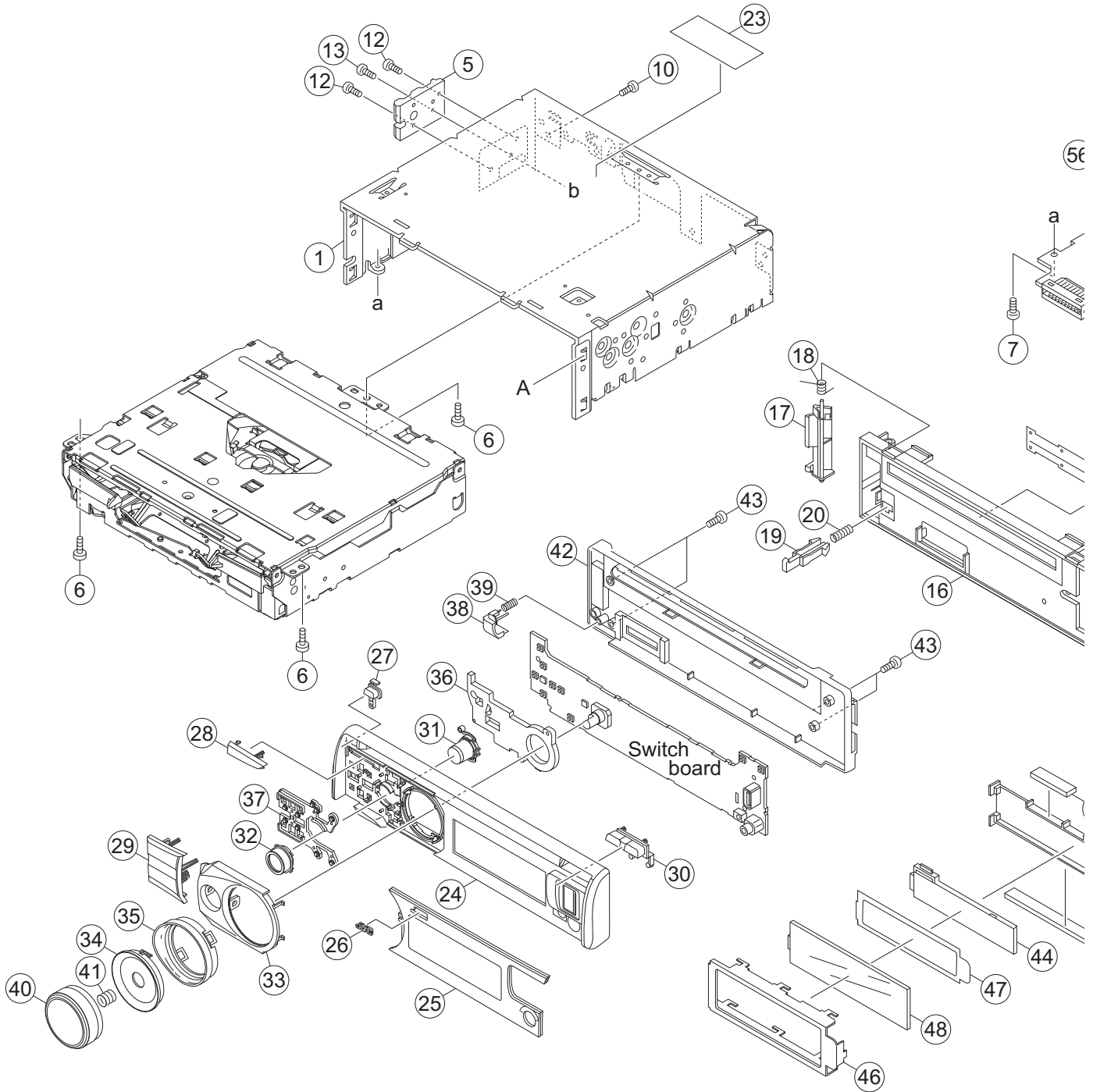
* All printed circuit boards and its assemblies are not available as service parts.

- Contents -

Exploded view of general assembly and parts list (Block No.M1)	3- 2
CD mechanism assembly and parts list (Block No.MB)	3- 5
Packing materials and accessories parts list (Block No.M3)	3-14

Exploded view of general assembly and parts list

Block No. M 1 M M



General Assembly

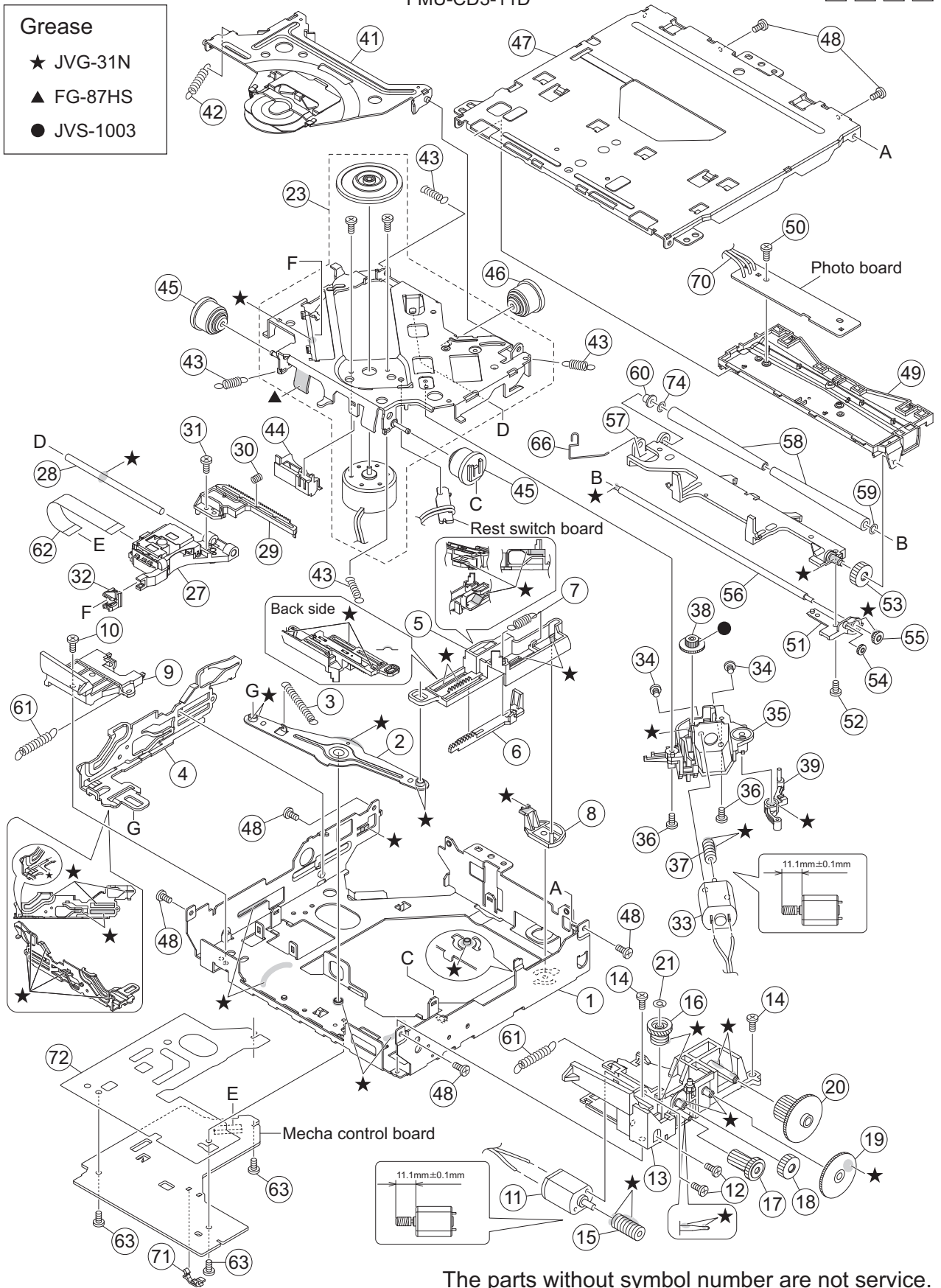
Block No. [M][1][M][M]

△	Symbol No.	Part No.	Part Name	Description	Local
	1	GE10253-007A	TOP CHASSIS		
	2	GE33234-002A	HEAT SINK		
	3	GE20232-008A	BOTTOM COVER		A
	3	GE20232-009A	BOTTOM COVER		B
	4	GE32830-004A	INSULATOR		
	5	GE40395-002A	SIDE PANEL		
	6	QYSDST2604ZA	TAP SCREW	M2.6 x 4mm(x3)	
	7	GE40377-002A	SCREW	(x3)	
	8	GE40377-003A	SPECIAL SCREW	(x2)	
	9	GE40377-003A	SPECIAL SCREW		
	10	GE40377-002A	SCREW		
	11	QYSDSF2606ZA	TAP SCREW	M2.6 x 6mm	
	12	GE40377-001A	SCREW	(x2)	
	13	GE40377-001A	SCREW		
	14	GE40377-002A	SCREW		
	15	LV40847-048A	SPACER(H)		
	16	GE10242-016A	FRONT CHASSIS		
	17	GE33792-001A	LOCK LEVER		
	18	GE40368-002A	TORSION SPRING		
	19	GE32810-001A	RELEASE LEVER		
	20	GE30999-004A	COMP.SPRING		
	21	GE40432-001A	BLIND		
	22	LV38918-001A	NAME PLATE		A
	22	LV38917-001A	NAME PLATE		B
	23	GE40442-001A	FCC RULE LABEL		
	24	GE33886-002A	FRT PANEL ASSY		A
	24	GE33886-003A	FRT PANEL ASSY		B
	25	GE33885-024A	FINDER ASSY		A
	25	GE33885-025A	FINDER ASSY		B
	26	GE40463-001A	JVC BADGE		
	27	GE33800-002A	EJECT BUTTON		
	28	GE33801-002A	SOURCE BUTTON		
	29	GE33802-004A	NAVI BUTTON		
	30	GE33803-001A	DISP BUTTON		
	31	GE40495-001A	MENU BTN ASSY		
	32	GE33805-003A	BUTTON RIM		A
	32	GE33805-001A	BUTTON RIM		B
	33	GE33806-018A	PHONE BACK BTN		A
	33	GE33806-017A	PHONE BACK BTN		B
	34	GE33807-001A	RIM LENS		
	35	GE33808-003A	RIM COVER		A
	35	GE33808-001A	RIM COVER		B
	36	GE33809-002A	LIGHT GUIDE		
	37	GE33810-001A	RUBBER BASE		
	38	GE33881-002A	DETACH BUTTON		
	39	GE30999-009A	COMP.SPRING		
	40	GE33704-006A	VOLUME KNOB		A
	40	GE33704-001A	VOLUME KNOB		B
	41	GE40127-006A	KNOB SPRING		
	42	GE10273-003A	REAR COVER		
	43	VKZ4777-010	MINI SCREW	(x4)	
	44	GE33813-001A	LCD LENS		
	45	GE33814-001A	LENS CASE		
	46	GE33815-001A	LCD CASE		
	47	GE40482-001A	LIGHTING SHEET		
	48	QLD0631-001	LCD MODULE		
	49	QNZ1002-001	RUBBER CONNE		
	50	QNZ1003-001	RUBBER CONNE		
	51	LV40848-086A	SPACER(P)		
△	52	QMFZ064-150-J1	FUSE	15A	
	53	LV38578-001A	SHIELD CASE		
	54	LV38660-001A	PWB SHIELD		
	55	GE40354-001A	IC BRACKET		
	56	GE40308-001A	REG IC BRACKET		

CD mechanism assembly and parts list

FMU-CD3-11D

Block No. M B M M



The parts without symbol number are not service.

CD mechanism

Block No. [M][B][M][M]

△	Symbol No.	Part No.	Part Name	Description	Local
	1	LV11256-001A	MECHA FRAME		
	2	LV36800-002A	LINK ARM		
	3	LV44658-001A	LINK SPRING		
	4	LV22300-002A	SLIDE CAM (L)		
	5	LV22298-002A	SLIDE CAM(R)		
	6	LV36802-001A	LOAD RACK		
	7	LV44552-001A	RETURN SPRING		
	8	LV36803-002A	F LOCK LEVER		
	9	LV36804-002A	CAM COVER		
	10	VKZ4539-054	MINI SCREW		
	11	QAR0373-002	MOTOR		
	12	QYSPSPT2025MA	SCREW	M2 x 2.5mm(x2)	
	13	LV36903-003A	L M BASE ASSY		
	14	VKZ4539-054	MINI SCREW	(x2)	
	15	LV36806-001A	L WORM GEAR		
	16	LV36805-002A	M WHEEL GEAR		
	17	LV36807-001A	A WHEEL GEAR		
	18	LV36808-001A	R ACT GEAR(1)		
	19	LV36809-001A	LOAD ACT GEAR		
	20	LV36810-001A	LOADING GEAR		
	21	QYWDL1230250	SLIT WASHER	3mm/1.2mm x 0.25mm	
	23	CM-FLMCD1D	SPINDLE MOTOR ASSY		
	27	QAL0993-001	PICK UP		
	28	LV44555-001A	MAIN SHAFT		
	29	LV36799-001A	RACK PLATE		
	30	LV45227-001A	RACK SPRING		
	31	QYSPSGT1745ZA	TAP SCREW	M1.7 x 4.5mm	
	32	LV36813-001A	SUB GUIDE CAP		
	33	QAR0144-003	MOTOR	2.0V DC	
	34	QYSPSPT2025MA	SCREW	M2 x 2.5mm(x2)	
	35	LV22296-001A	F MOTOR HOLDER		
	36	VKZ4539-054	MINI SCREW	(x2)	
	37	LV36814-001A	F WORM GEAR		
	38	LV36815-002A	F WHEEL GEAR		
	39	LV36816-001A	TRIGGER ARM		
	41	LV37326-003A	CLAMPER ASSY		
	42	LV44557-002A	CLAMPER SPRING		
	43	LV44558-001A	SUS SPRING	(x4)	
	44	LV36820-001A	WIRE HOLDER		
	45	LV36904-001A	DAMPER	(x2)	
	46	LV37061-001A	DAMPER		
	47	LV11260-003A	TOP COVER		
	48	VKZ4539-054	MINI SCREW	(x4)	
	49	LV11264-003A	DISC PLATE		
	50	LV44586-001A	SPECIAL SCREW		
	51	LV36801-002A	GEAR HOLDER		
	52	VKZ4539-054	MINI SCREW		
	53	LV36821-001A	R ACT GEAR(2)		
	54	LV36822-001A	R ACT GEAR(3)		
	55	LV36823-001A	ROLLER GEAR		
	56	LV44559-003A	ROLLER SHAFT		
	57	LV22744-001A	R HOLDER ASSY 2		
	58	LV44560-001A	ROLLER	(x2)	
	59	LV44590-001A	WASHER		
	60	LV45268-001A	ROLLER COLLAR 2		
	61	LV44562-002A	ROLLER SPRING	(x2)	
	62	QAL0817-003	FPC		
	63	VKZ4539-054	MINI SCREW	(x3)	
	70	WJS0085-001A-E	E-FL/RB WIRE		
	71	LV34916-002A	WIRE CLAMP		
	72	LV38008-001A	PWB INSULATOR		
	73	LV45269-001A	R HOLDER ROD		
	74	LV45270-001A	WASHER 2		

Electrical parts list

Main board

Block No. [0][1]					Symbol No.	Part No.	Part Name	Description	Local
Symbol No.	Part No.	Part Name	Description	Local					
IC10	SAF7746HW/N100	IC			D7411	RKZ6.2B2KG-X	Z DIODE		
IC221	NJM4580E-X	IC		A	D7412	RKZ6.2B2KG-X	Z DIODE		
IC221	NJM4565E-X	IC		B	D7413	RKZ6.2B2KG-X	Z DIODE		
IC261	NJM2792V-X	IC		A	D7414	RKZ6.2B2KG-X	Z DIODE		
IC272	BD3461FS-X	IC			D7415	RKZ6.2B2KG-X	Z DIODE		
IC301	TB2926CHQ	IC			D7416	RKZ6.2B2KG-X	Z DIODE		
IC401	MM1701CH-X	IC			D7417	RKZ6.2B2KG-X	Z DIODE		
IC402	NJM2855DL1-33-X	IC			C18	QEKJ0JM-107Z	E CAPACITOR	100uF 6.3V M	
IC411	NJM2855DL1-18-X	IC			C21	NDC31HJ-471X	C CAPACITOR	470pF 50V J	
IC412	NJM2855DL1-33-X	IC			C22	QEKJ0JM-227Z	E CAPACITOR	220uF 6.3V M	
IC413	NJM2878F4-15-X	IC			C24	NDC31HJ-391X	C CAPACITOR	390pF 50V J	
IC501	TEF7000HN/V2	IC			C31	QEKJ0JM-107Z	E CAPACITOR	100uF 6.3V M	
IC501 or TEF7000HN/V2S	TEF7000HN/V2S	IC			C34	NCB31HK-331X	C CAPACITOR	330pF 50V K	
IC512	BA50BCOFF-X	IC			C35	NCB31CK-105X	C CAPACITOR	1uF 16V K	
IC541	TC94A92FG-301	IC			C36	NCB31CK-105X	C CAPACITOR	1uF 16V K	
IC701	JVM458A	IC(MCU)			C37	NCB31CK-105X	C CAPACITOR	1uF 16V K	
IC702	S-80824CNNB-G-W	IC			C38	NCB31CK-104X	C CAPACITOR	0.1uF 16V K	
IC703	R1EX24256ASAS-X	IC			C39	NCB31CK-104X	C CAPACITOR	0.1uF 16V K	
IC703 or M24256-BWMN6-X	M24256-BWMN6-X	IC			C41	NCB31EK-223X	C CAPACITOR	0.022uF 25V K	
IC710	TC74VHCT126AFTX	IC			C42	NDC31HJ-8R0X	C CAPACITOR	8pF 50V J	
IC801	TMP92CD28AF7C78	IC(MCU)			C43	NDC31HJ-100X	C CAPACITOR	10pF 50V J	
IC871	MF1341S2162-X	IC			C44	NCB31HK-102X	C CAPACITOR	1000pF 50V K	
IC872	R1EX24004ASAA-X	IC			C45	NCB31HK-102X	C CAPACITOR	1000pF 50V K	
IC872 or M24C04-RMN6-X	M24C04-RMN6-X	IC			C46	NCB31CK-105X	C CAPACITOR	1uF 16V K	
IC901	R2S25400DS-E	IC			C48	NCB31HK-103X	C CAPACITOR	0.01uF 50V K	
IC931	NJM2878F3-33-X	IC			C50	NCB31CK-105X	C CAPACITOR	1uF 16V K	
IC951	BD9300FV-X	IC			C51	QEKJ0JM-476Z	E CAPACITOR	47uF 6.3V M	
Q311	RT1N141C-X	DIGI TRANSISTOR			C52	NCB31CK-105X	C CAPACITOR	1uF 16V K	
Q391	RT1P141C-X	DIGI TRANSISTOR			C53	NCB31CK-105X	C CAPACITOR	1uF 16V K	
Q393	RT1P141C-X	DIGI TRANSISTOR			C54	NCB31CK-105X	C CAPACITOR	1uF 16V K	
Q394	2SC1623A/5-6/-X	TRANSISTOR			C55	NCB31CK-104X	C CAPACITOR	0.1uF 16V K	
Q410	2SB1424/QR/-W	TRANSISTOR			C56	NDC31HJ-101X	C CAPACITOR	100pF 50V J	
Q411	RT1N144C-X	DIGI TRANSISTOR			C57	NDC31HJ-101X	C CAPACITOR	100pF 50V J	
Q703	RT1N441C-X	TRANSISTOR			C58	NCB31CK-105X	C CAPACITOR	1uF 16V K	
Q881	ISA1530AC1/QR/X	TRANSISTOR			C60	NCB31CK-104X	C CAPACITOR	0.1uF 16V K	
Q882	RT1N144C-X	DIGI TRANSISTOR			C62	NCB31EK-223X	C CAPACITOR	0.022uF 25V K	
Q901	RT2N03M-X	DIGI TRANSISTOR			C63	QEKJ0JM-337Z	E CAPACITOR	330uF 6.3V M	
Q902	RT2P03M-X	DIGI TRANSISTOR			C64	NCB31CK-104X	C CAPACITOR	0.1uF 16V K	
Q903	2SA812A/5-6/-X	TRANSISTOR			C68	NCB31CK-104X	C CAPACITOR	0.1uF 16V K	
Q951	RSQ035P03-W	MOS FET			C69	NCB31EK-223X	C CAPACITOR	0.022uF 25V K	
Q952	RSQ035P03-W	MOS FET			C72	NCB31EK-223X	C CAPACITOR	0.022uF 25V K	
Q953	2SC1623A/5-6/-X	TRANSISTOR			C73	NCB31CK-104X	C CAPACITOR	0.1uF 16V K	
Q954	RT1P141C-X	DIGI TRANSISTOR			C87	QEKJ0JM-107Z	E CAPACITOR	100uF 6.3V M	
Q955	2SC1623A/5-6/-X	TRANSISTOR			C91	QEKJ0JM-107Z	E CAPACITOR	100uF 6.3V M	
Q956	2SA812A/5-6/-X	TRANSISTOR			C92	NCB31CK-104X	C CAPACITOR	0.1uF 16V K	
Q5411	IMX9-W	PAIR TRANSISTOR			C94	NCB31CK-104X	C CAPACITOR	0.1uF 16V K	
Q6411	2SD1781K/QR/-X	TRANSISTOR			C95	NCB31CK-104X	C CAPACITOR	0.1uF 16V K	
Q9001	2SC1623A/5-6/-X	TRANSISTOR			C96	NCB31HK-332X	C CAPACITOR	330pF 50V K	
D391	HSU119-X	SI DIODE			C97	NCB31CK-104X	C CAPACITOR	0.1uF 16V K	
D393	RKZ3.3B2KG-X	Z DIODE			C119	NDC31HJ-220X	C CAPACITOR	22pF 50V J	
D394	RKZ10B2KG-X	Z DIODE			C120	NDC31HJ-220X	C CAPACITOR	22pF 50V J	
D503	1SS390-X	SI DIODE			C315	QEKJ1HM-225Z	E CAPACITOR	2.2uF 50V M	
D504	1SS390-X	SI DIODE			C316	QEKJ1HM-475Z	E CAPACITOR	4.7uF 50V M	
D702	HSU119-X	SI DIODE			C317	QEKJ1CM-476Z	E CAPACITOR	47uF 16V M	
D703	RKZ4.7B2KG-X	Z DIODE		A	C327	QEKJ1HM-225Z	E CAPACITOR	2.2uF 50V M	
D771	HSU119-X	SI DIODE			C328	QEKJ1EM-106Z	E CAPACITOR	10uF 25V M	
D772	RKZ6.2B2KG-X	Z DIODE			C392	QERF1CM-476Z	E CAPACITOR	47uF 16V M	
D901	1N5401-BPC04	SI DIODE			C395	QEKJ1CM-107Z	E CAPACITOR	100uF 16V M	
D904	CRS03-W	SB DIODE			C401	QEKJ0JM-107Z	E CAPACITOR	100uF 6.3V M	
D905	CRS03-W	SB DIODE			C403	QEKJ0JM-107Z	E CAPACITOR	100uF 6.3V M	
D951	RB051L-40-X	SB DIODE			C404	NCB31CK-104X	C CAPACITOR	0.1uF 16V K	
D969	HSU119-X	SI DIODE			C405	NCB31HK-103X	C CAPACITOR	0.01uF 50V K	
D2411	MC2836-X	DIODE			C407	NCB31CK-104X	C CAPACITOR	0.1uF 16V K	
D7401	RKZ6.2B2KG-X	Z DIODE			C408	NCB31CK-104X	C CAPACITOR	0.1uF 16V K	
D7404	RKZ6.2B2KG-X	Z DIODE			C411	QERF1CM-476Z	E CAPACITOR	47uF 16V M	
D7405	RKZ6.2B2KG-X	Z DIODE			C412	NCB31CK-104X	C CAPACITOR	0.1uF 16V K	
D7406	RKZ6.2B2KG-X	Z DIODE			C413	NCB31HK-103X	C CAPACITOR	0.01uF 50V K	
D7407	RKZ6.2B2KG-X	Z DIODE			C414	QEKJ0JM-107Z	E CAPACITOR	100uF 6.3V M	
D7408	RKZ6.2B2KG-X	Z DIODE			C416	NCB31CK-104X	C CAPACITOR	0.1uF 16V K	
D7410	RKZ6.2B2KG-X	Z DIODE			C417	NCB31CK-104X	C CAPACITOR	0.1uF 16V K	
					C420	NCB31CK-104X	C CAPACITOR	0.1uF 16V K	
					C421	NCB31CK-104X	C CAPACITOR	0.1uF 16V K	
					C422	QEKJ0JM-476Z	E CAPACITOR	47uF 6.3V M	
					C481	NCB31HK-103X	C CAPACITOR	0.01uF 50V K	
					C482	NCB31HK-103X	C CAPACITOR	0.01uF 50V K	

△ Symbol No.	Part No.	Part Name	Description	Local	△ Symbol No.	Part No.	Part Name	Description	Local
C483	QERF1CM-107Z	E CAPACITOR	100uF 16V M		C817	NCB21CK-105X	C CAPACITOR	1uF 16V K	
C501	NDC31HJ-150X	C CAPACITOR	15pF 50V J		C818	NCB31HK-103X	C CAPACITOR	0.01uF 50V K	
C502	NCB31HK-102X	C CAPACITOR	1000pF 50V K		C871	NCB31CK-104X	C CAPACITOR	0.1uF 16V K	
C505	NCB31HK-102X	C CAPACITOR	1000pF 50V K		C872	NCB31EK-473X	C CAPACITOR	0.047uF 25V K	
C506	NDC31HJ-220X	C CAPACITOR	22pF 50V J		C881	QERF1CM-476Z	E CAPACITOR	47uF 16V M	
C507	NDC31HJ-4R0X	C CAPACITOR	4pF 50V J		C901	QE20769-278	E CAPACITOR	2700uF	
C508	NDC31HJ-270X	C CAPACITOR	27pF 50V J		C902	QEKJ1CM-226Z	E CAPACITOR	22uF 16V M	
C509	NDC31HJ-120X	C CAPACITOR	12pF 50V J		C903	QERF1CM-226Z	E CAPACITOR	22uF 16V M	
C512	NCB31HK-102X	C CAPACITOR	1000pF 50V K		C905	QEKJ1CM-107Z	E CAPACITOR	100uF 16V M	
C513	NCB31HK-102X	C CAPACITOR	1000pF 50V K		C906	NCB31CK-104X	C CAPACITOR	0.1uF 16V K	
C514	NCB31HK-102X	C CAPACITOR	1000pF 50V K		C907	NCB31HK-103X	C CAPACITOR	0.01uF 50V K	
C515	NCB31HK-392X	C CAPACITOR	3900pF 50V K		C908	QERF1CM-106Z	E CAPACITOR	10uF 16V M	
C517	NCB31HK-103X	C CAPACITOR	0.01uF 50V K		C910	NCB31HK-104X	C CAPACITOR	0.1uF 50V K	
C518	NCB31HK-103X	C CAPACITOR	0.01uF 50V K		C911	NCB31HK-104X	C CAPACITOR	0.1uF 50V K	
C521	NCB31HK-332X	C CAPACITOR	3300pF 50V K		C912	QERF1HM-225Z	E CAPACITOR	2.2uF 50V M	
C522	NCB31HK-223X	C CAPACITOR	0.022uF 50V K		C917	NCB31HK-104X	C CAPACITOR	0.1uF 50V K	
C523	NCB31HK-102X	C CAPACITOR	1000pF 50V K		C931	NCB31CK-104X	C CAPACITOR	0.1uF 16V K	
C525	NCB31EK-223X	C CAPACITOR	0.022uF 25V K		C941	NCB31HK-103X	C CAPACITOR	0.01uF 50V K	
C526	NCB31CK-224X	C CAPACITOR	0.22uF 16V K		C951	QEKJ1EM-476Z	E CAPACITOR	47uF 25V M	
C527	NCB31EK-223X	C CAPACITOR	0.022uF 25V K		C952	NCB31HK-102X	C CAPACITOR	1000pF 50V K	
C528	NCB31EK-223X	C CAPACITOR	0.022uF 25V K		C953	NCB31HK-103X	C CAPACITOR	0.01uF 50V K	
C529	NCB31EK-223X	C CAPACITOR	0.022uF 25V K		C954	NCB31HK-102X	C CAPACITOR	1000pF 50V K	
C530	NCB31EK-223X	C CAPACITOR	0.022uF 25V K		C955	NCB31CK-104X	C CAPACITOR	0.1uF 16V K	
C537	NCB31HK-103X	C CAPACITOR	0.01uF 50V K		C956	QEKJ1CM-107Z	E CAPACITOR	100uF 16V M	
C538	QEKJ1CM-107Z	E CAPACITOR	100uF 16V M		C957	NCB20JK-106X	C CAPACITOR	10uF 6.3V K	
C539	QEKJ0JM-107Z	E CAPACITOR	100uF 6.3V M		C969	NCB31CK-104X	C CAPACITOR	0.1uF 16V K	
C541	NCB31HK-104X	C CAPACITOR	0.1uF 50V K		C971	NCB31CK-103X	C CAPACITOR	0.01uF 16V K	
C542	NCB31HK-222X	C CAPACITOR	2200pF 50V K		C973	NCB31HK-102X	C CAPACITOR	1000pF 50V K	
C543	NCB21CK-105X	C CAPACITOR	1uF 16V K		C2001	QFV91HJ-474Z	MF CAPACITOR	0.47uF 50V J	
C544	NCB31HK-104X	C CAPACITOR	0.1uF 50V K		C2002	NDC31HJ-101X	C CAPACITOR	100pF 50V J	
C545	NCB31HK-104X	C CAPACITOR	0.1uF 50V K		C2202	NDC31HJ-821X	C CAPACITOR	820pF 50V J	
C546	NCB31CK-104X	C CAPACITOR	0.1uF 16V K		C2203	QTE1H57-475Z	E CAPACITOR	4.7uF 50V	
C547	NDC31HJ-270X	C CAPACITOR	27pF 50V J		C2204	NDC31HJ-121X	C CAPACITOR	120pF 50V J	
C548	NDC31HJ-220X	C CAPACITOR	22pF 50V J		C2211	QEKJ0JM-107Z	E CAPACITOR	100uF 6.3V M	
C549	NCB31HK-104X	C CAPACITOR	0.1uF 50V K		C2221	QEKJ1CM-107Z	E CAPACITOR	100uF 16V M	
C550	NCB31HK-104X	C CAPACITOR	0.1uF 50V K		C2601	QEKJ1HM-475Z	E CAPACITOR	4.7uF 50V M	A
C551	NCB31HK-104X	C CAPACITOR	0.1uF 50V K		C2611	QEKJ1CM-476Z	E CAPACITOR	47uF 16V M	A
C552	NCB31HK-104X	C CAPACITOR	0.1uF 50V K		C2612	QERF1AM-227Z	E CAPACITOR	220uF 10V M	A
C553	NCB31HK-104X	C CAPACITOR	0.1uF 50V K		C2613	NCB31HK-152X	C CAPACITOR	1500pF 50V K	A
C556	NCB31HK-104X	C CAPACITOR	0.1uF 50V K		C2614	NCB31HK-152X	C CAPACITOR	1500pF 50V K	A
C557	QEKJ0JM-476Z	E CAPACITOR	47uF 6.3V M		C2615	QERF1AM-227Z	E CAPACITOR	220uF 10V M	A
C558	QEKJ0JM-476Z	E CAPACITOR	47uF 6.3V M		C2616	NCB31EK-104X	C CAPACITOR	0.1uF 25V K	A
C560	NCB31EK-104X	C CAPACITOR	0.1uF 25V K		C2617	QERF1AM-227Z	E CAPACITOR	220uF 10V M	A
C561	NDC31HJ-270X	C CAPACITOR	27pF 50V J		C2701	QFV91HJ-474Z	MF CAPACITOR	0.47uF 50V J	
C562	NDC31HJ-270X	C CAPACITOR	27pF 50V J		C2702	QEKJ1HM-105Z	E CAPACITOR	1uF 50V M	
C563	NDC31HJ-270X	C CAPACITOR	27pF 50V J		C2711	QEKJ1CM-107Z	E CAPACITOR	100uF 16V M	
C703	NDC31HJ-120X	C CAPACITOR	12pF 50V J		C2712	QEKJ1CM-107Z	E CAPACITOR	100uF 16V M	
C704	NDC31HJ-120X	C CAPACITOR	12pF 50V J		C2713	NDC31HJ-471X	C CAPACITOR	470pF 50V J	
C705	NDC31HJ-5R0X	C CAPACITOR	5pF 50V J		C3001	QFV91HJ-474Z	MF CAPACITOR	0.47uF 50V J	
C706	NDC31HJ-5R0X	C CAPACITOR	5pF 50V J		C3002	NDC31HJ-101X	C CAPACITOR	100pF 50V J	
C707	NCB31CK-105X	C CAPACITOR	1uF 16V K		C3202	NDC31HJ-821X	C CAPACITOR	820pF 50V J	
C708	QERF0JM-337Z	E CAPACITOR	330uF 6.3V M		C3203	QTE1H57-475Z	E CAPACITOR	4.7uF 50V	
C709	QEKJ0JM-107Z	E CAPACITOR	100uF 6.3V M		C3204	NDC31HJ-121X	C CAPACITOR	120pF 50V J	
C710	NCB31HK-473X	C CAPACITOR	0.047uF 50V K		C3211	QEKJ0JM-107Z	E CAPACITOR	100uF 6.3V M	
C715	NCB31HK-471X	C CAPACITOR	470pF 50V K		C3501	NCB31CK-473X	C CAPACITOR	0.047uF 16V K	
C716	NCB31HK-471X	C CAPACITOR	470pF 50V K		C3601	QEKJ1HM-475Z	E CAPACITOR	4.7uF 50V M	A
C717	NCB31HK-103X	C CAPACITOR	0.01uF 50V K		C3701	QFV91HJ-474Z	MF CAPACITOR	0.47uF 50V J	
C720	NCB31HK-103X	C CAPACITOR	0.01uF 50V K		C4001	QFV91HJ-474Z	MF CAPACITOR	0.47uF 50V J	
C723	NCB31HK-103X	C CAPACITOR	0.01uF 50V K		C4002	NDC31HJ-101X	C CAPACITOR	100pF 50V J	
C776	NCB31CK-104X	C CAPACITOR	0.1uF 16V K		C4401	NDC31HJ-101X	C CAPACITOR	100pF 50V J	
C777	NCB31HK-103X	C CAPACITOR	0.01uF 50V K		C4702	QEKJ1HM-475Z	E CAPACITOR	4.7uF 50V M	
C784	NCB31HK-103X	C CAPACITOR	0.01uF 50V K		C5001	QFV91HJ-474Z	MF CAPACITOR	0.47uF 50V J	
C785	QERF0JM-337Z	E CAPACITOR	330uF 6.3V M		C5002	NDC31HJ-101X	C CAPACITOR	100pF 50V J	
C802	NCB31HK-103X	C CAPACITOR	0.01uF 50V K		C5401	NDC31HJ-101X	C CAPACITOR	100pF 50V J	
C803	NDC31HJ-220X	C CAPACITOR	22pF 50V J		C5601	QEKJ1HM-475Z	E CAPACITOR	4.7uF 50V M	A
C804	NDC31HJ-180X	C CAPACITOR	18pF 50V J		C5702	QEKJ1HM-475Z	E CAPACITOR	4.7uF 50V M	
C805	NCB31HK-103X	C CAPACITOR	0.01uF 50V K		C6401	NCB31CK-473X	C CAPACITOR	0.047uF 16V K	
C806	NCB31HK-103X	C CAPACITOR	0.01uF 50V K		C6701	QEKJ1HM-475Z	E CAPACITOR	4.7uF 50V M	
C807	QEKJ1EM-106Z	E CAPACITOR	10uF 25V M		C6702	QEKJ1HM-475Z	E CAPACITOR	4.7uF 50V M	
C808	NCB21CK-105X	C CAPACITOR	1uF 16V K		C7101	NCB31HK-103X	C CAPACITOR	0.01uF 50V K	
C809	QEKJ1EM-106Z	E CAPACITOR	10uF 25V M		C7401	NCB31CK-104X	C CAPACITOR	0.1uF 16V K	
C810	NCB31HK-103X	C CAPACITOR	0.01uF 50V K		C7402	NCB31CK-104X	C CAPACITOR	0.1uF 16V K	
C811	NCB31HK-103X	C CAPACITOR	0.01uF 50V K		C7403	NCB31CK-104X	C CAPACITOR	0.1uF 16V K	
C812	NCB31HK-103X	C CAPACITOR	0.01uF 50V K		C7404	QEKJ0JM-476Z	E CAPACITOR	47uF 6.3V M	
C813	NCB31HK-103X	C CAPACITOR	0.01uF 50V K		C9001	QERF1CM-106Z	E CAPACITOR	10uF 16V M	
C814	NDC31HJ-220X	C CAPACITOR	22pF 50V J						
C815	NDC31HJ-270X	C CAPACITOR	27pF 50V J		R10	NRSA63J-103X	MG RESISTOR	10kΩ 1/16W J	
C816	NCB31HK-103X	C CAPACITOR	0.01uF 50V K		R11	NRSA63J-103X	MG RESISTOR	10kΩ 1/16W J	

△ Symbol No.	Part No.	Part Name	Description	Local	△ Symbol No.	Part No.	Part Name	Description	Local
R12	NRSA63J-103X	MG RESISTOR	10kΩ 1/16W J		R735	NRSA63J-221X	MG RESISTOR	220Ω 1/16W J	
R14	NRSA63J-682X	MG RESISTOR	6.8kΩ 1/16W J		R736	NRSA63J-221X	MG RESISTOR	220Ω 1/16W J	
R15	NRSA63J-682X	MG RESISTOR	6.8kΩ 1/16W J		R740	NRSA63J-102X	MG RESISTOR	1kΩ 1/16W J	
R16	NRSA63J-103X	MG RESISTOR	10kΩ 1/16W J		R741	NRSA63J-102X	MG RESISTOR	1kΩ 1/16W J	
R17	NRSA63J-220X	MG RESISTOR	22Ω 1/16W J		R742	NRSA63J-102X	MG RESISTOR	1kΩ 1/16W J	
R18	NRSA63J-103X	MG RESISTOR	10kΩ 1/16W J		R743	NRSA63J-101X	MG RESISTOR	100Ω 1/16W J	
R19	NRSA63J-123X	MG RESISTOR	12kΩ 1/16W J		R744	NRSA63J-102X	MG RESISTOR	1kΩ 1/16W J	
R20	NRSA63J-100X	MG RESISTOR	10Ω 1/16W J		R745	NRSA63J-473X	MG RESISTOR	47kΩ 1/16W J	
R21	NRSA63J-123X	MG RESISTOR	12kΩ 1/16W J		R746	NRSA63J-473X	MG RESISTOR	47kΩ 1/16W J	
R22	NRSA63J-103X	MG RESISTOR	10kΩ 1/16W J		R747	NRSA63J-473X	MG RESISTOR	47kΩ 1/16W J	
R23	NRSA63J-103X	MG RESISTOR	10kΩ 1/16W J		R751	NRSA63J-273X	MG RESISTOR	27kΩ 1/16W J	
R24	NRSA63J-682X	MG RESISTOR	6.8kΩ 1/16W J		R752	NRSA63J-273X	MG RESISTOR	27kΩ 1/16W J	
R25	NRSA63J-682X	MG RESISTOR	6.8kΩ 1/16W J		R753	NRSA63J-472X	MG RESISTOR	4.7kΩ 1/16W J	
R27	NRSA63J-101X	MG RESISTOR	100Ω 1/16W J		R754	NRSA63J-472X	MG RESISTOR	4.7kΩ 1/16W J	
R28	NRSA63J-100X	MG RESISTOR	10Ω 1/16W J		R756	NRSA63J-102X	MG RESISTOR	1kΩ 1/16W J	
R29	NRSA63J-101X	MG RESISTOR	100Ω 1/16W J		R757	NRSA63J-102X	MG RESISTOR	1kΩ 1/16W J	
R30	NRSA63J-101X	MG RESISTOR	100Ω 1/16W J		R758	NRSA63J-102X	MG RESISTOR	1kΩ 1/16W J	
R31	NRSA63J-101X	MG RESISTOR	100Ω 1/16W J		R759	NRSA63J-102X	MG RESISTOR	1kΩ 1/16W J	
R32	NRSA63J-101X	MG RESISTOR	100Ω 1/16W J		R761	NRSA63J-101X	MG RESISTOR	100Ω 1/16W J	
R33	NRSA63J-101X	MG RESISTOR	100Ω 1/16W J		R762	NRSA63J-101X	MG RESISTOR	100Ω 1/16W J	
R34	NRSA63J-101X	MG RESISTOR	100Ω 1/16W J		R763	NRSA63J-101X	MG RESISTOR	100Ω 1/16W J	
R35	NRSA63J-101X	MG RESISTOR	100Ω 1/16W J		R766	NRSA63J-101X	MG RESISTOR	100Ω 1/16W J	
R36	NRSA63J-101X	MG RESISTOR	100Ω 1/16W J		R767	NRSA63J-101X	MG RESISTOR	100Ω 1/16W J	
R37	NRSA63J-100X	MG RESISTOR	10Ω 1/16W J		R770	NRSA63J-103X	MG RESISTOR	10kΩ 1/16W J	
R38	NRSA63J-102X	MG RESISTOR	1kΩ 1/16W J		R772	NRSA63J-184X	MG RESISTOR	180kΩ 1/16W J	
R41	NRSA63J-222X	MG RESISTOR	2.2kΩ 1/16W J		R773	NRSA63J-103X	MG RESISTOR	10kΩ 1/16W J	
R42	NRSA63J-222X	MG RESISTOR	2.2kΩ 1/16W J		R777	NRSA63J-271X	MG RESISTOR	270Ω 1/16W J	A
R54	NRSA63J-473X	MG RESISTOR	47kΩ 1/16W J		R779	NRSA63J-102X	MG RESISTOR	1kΩ 1/16W J	
R55	NRSA63J-222X	MG RESISTOR	2.2kΩ 1/16W J		R781	NRSA63J-102X	MG RESISTOR	1kΩ 1/16W J	
R56	NRSA63J-222X	MG RESISTOR	2.2kΩ 1/16W J		R782	NRSA63J-101X	MG RESISTOR	100Ω 1/16W J	
R57	NRSA63J-122X	MG RESISTOR	1.2kΩ 1/16W J		R783	NRSA63J-101X	MG RESISTOR	100Ω 1/16W J	
R58	NRSA63J-222X	MG RESISTOR	2.2kΩ 1/16W J		R784	NRSA63J-101X	MG RESISTOR	100Ω 1/16W J	
R311	NRSA63J-222X	MG RESISTOR	2.2kΩ 1/16W J		R785	NRSA63J-101X	MG RESISTOR	100Ω 1/16W J	
R313	NRSA63J-273X	MG RESISTOR	27kΩ 1/16W J		R786	NRSA63J-101X	MG RESISTOR	100Ω 1/16W J	
R391	NRSA63J-101X	MG RESISTOR	100Ω 1/16W J		R787	NRSA63J-101X	MG RESISTOR	100Ω 1/16W J	
R392	NRSA63J-102X	MG RESISTOR	1kΩ 1/16W J		R788	NRSA63J-101X	MG RESISTOR	100Ω 1/16W J	
R393	NRSA63J-473X	MG RESISTOR	47kΩ 1/16W J		R789	NRSA63J-102X	MG RESISTOR	1kΩ 1/16W J	
R394	NRSA63J-473X	MG RESISTOR	47kΩ 1/16W J		R790	NRSA63J-101X	MG RESISTOR	100Ω 1/16W J	
R411	NRSA63J-223X	MG RESISTOR	22kΩ 1/16W J		R791	NRSA63J-223X	MG RESISTOR	22kΩ 1/16W J	
R412	NRSA63J-102X	MG RESISTOR	1kΩ 1/16W J		R792	NRSA63J-223X	MG RESISTOR	22kΩ 1/16W J	
R481	NRSA63J-101X	MG RESISTOR	100Ω 1/16W J		R802	NRSA63J-223X	MG RESISTOR	22kΩ 1/16W J	
R501	NRSA63J-474X	MG RESISTOR	470kΩ 1/16W J		R803	NRSA63J-102X	MG RESISTOR	1kΩ 1/16W J	
R502	NRSA63J-331X	MG RESISTOR	330Ω 1/16W J		R804	NRSA63J-223X	MG RESISTOR	22kΩ 1/16W J	
R503	NRSA63J-101X	MG RESISTOR	100Ω 1/16W J		R805	NRSA63J-223X	MG RESISTOR	22kΩ 1/16W J	
R504	NRSA63J-474X	MG RESISTOR	470kΩ 1/16W J		R806	NRSA63J-223X	MG RESISTOR	22kΩ 1/16W J	
R506	NRSA63J-560X	MG RESISTOR	56Ω 1/16W J		R807	NRSA63J-101X	MG RESISTOR	100Ω 1/16W J	
R507	NRSA63J-223X	MG RESISTOR	22kΩ 1/16W J		R811	NRSA63J-101X	MG RESISTOR	100Ω 1/16W J	
R508	NRSA63J-392X	MG RESISTOR	3.9kΩ 1/16W J		R812	NRSA63J-102X	MG RESISTOR	1kΩ 1/16W J	
R541	NRSA63J-221X	MG RESISTOR	220Ω 1/16W J		R814	NRSA63J-101X	MG RESISTOR	100Ω 1/16W J	
R545	NRSA63J-103X	MG RESISTOR	10kΩ 1/16W J		R816	NRSA63J-223X	MG RESISTOR	22kΩ 1/16W J	
R546	NRSA63J-103X	MG RESISTOR	10kΩ 1/16W J		R819	NRSA63J-223X	MG RESISTOR	22kΩ 1/16W J	
R547	NRSA63J-103X	MG RESISTOR	10kΩ 1/16W J		R820	NRSA63J-101X	MG RESISTOR	100Ω 1/16W J	
R549	NRSA63J-105X	MG RESISTOR	1MΩ 1/16W J		R821	NRSA63J-101X	MG RESISTOR	100Ω 1/16W J	
R552	NRSA63J-103X	MG RESISTOR	10kΩ 1/16W J		R822	NRSA63J-101X	MG RESISTOR	100Ω 1/16W J	
R553	NRSA63J-103X	MG RESISTOR	10kΩ 1/16W J		R823	NRSA63J-101X	MG RESISTOR	100Ω 1/16W J	
R555	NRSA63J-103X	MG RESISTOR	10kΩ 1/16W J		R824	NRSA63J-223X	MG RESISTOR	22kΩ 1/16W J	
R556	NRSA63J-103X	MG RESISTOR	10kΩ 1/16W J		R825	NRSA63J-101X	MG RESISTOR	100Ω 1/16W J	
R557	NRSA63J-103X	MG RESISTOR	10kΩ 1/16W J		R826	NRSA63J-103X	MG RESISTOR	10kΩ 1/16W J	
R559	NRSA63J-103X	MG RESISTOR	10kΩ 1/16W J		R828	NRSA63J-223X	MG RESISTOR	22kΩ 1/16W J	
R560	NRSA63J-104X	MG RESISTOR	100kΩ 1/16W J		R830	NRSA63J-153X	MG RESISTOR	15kΩ 1/16W J	
R566	NRSA63J-101X	MG RESISTOR	100Ω 1/16W J		R831	NRSA63J-153X	MG RESISTOR	15kΩ 1/16W J	
R567	NRSA63J-101X	MG RESISTOR	100Ω 1/16W J		R832	NRSA63J-102X	MG RESISTOR	1kΩ 1/16W J	
R568	NRSA63J-101X	MG RESISTOR	100Ω 1/16W J		R834	NRSA63J-270X	MG RESISTOR	27Ω 1/16W J	
R701	NRSA63J-473X	MG RESISTOR	47kΩ 1/16W J		R835	NRSA63J-270X	MG RESISTOR	27Ω 1/16W J	
R702	NRSA63J-106X	MG RESISTOR	10MΩ 1/16W J		R836	NRSA63J-103X	MG RESISTOR	10kΩ 1/16W J	
R703	NRSA63J-221X	MG RESISTOR	220Ω 1/16W J		R837	NRSA63J-223X	MG RESISTOR	22kΩ 1/16W J	
R711	NRSA63J-221X	MG RESISTOR	220Ω 1/16W J		R838	NRSA63J-101X	MG RESISTOR	100Ω 1/16W J	
R712	NRSA63J-221X	MG RESISTOR	220Ω 1/16W J		R839	NRSA63J-101X	MG RESISTOR	100Ω 1/16W J	
R715	NRSA63J-682X	MG RESISTOR	6.8kΩ 1/16W J		R840	NRSA63J-101X	MG RESISTOR	100Ω 1/16W J	
R718	NRSA63J-223X	MG RESISTOR	22kΩ 1/16W J		R841	NRSA63J-101X	MG RESISTOR	100Ω 1/16W J	
R720	NRSA63J-102X	MG RESISTOR	1kΩ 1/16W J		R842	NRSA63J-101X	MG RESISTOR	100Ω 1/16W J	
R721	NRSA63J-473X	MG RESISTOR	47kΩ 1/16W J		R843	NRSA63J-101X	MG RESISTOR	100Ω 1/16W J	
R728	NRSA63J-273X	MG RESISTOR	27kΩ 1/16W J		R849	NRSA63J-223X	MG RESISTOR	22kΩ 1/16W J	
R729	NRSA63J-473X	MG RESISTOR	47kΩ 1/16W J		R850	NRSA63J-223X	MG RESISTOR	22kΩ 1/16W J	
R730	NRSA63J-472X	MG RESISTOR	4.7kΩ 1/16W J		R851	NRSA63J-223X	MG RESISTOR	22kΩ 1/16W J	
R731	NRSA63J-472X	MG RESISTOR	4.7kΩ 1/16W J		R857	NRSA63J-223X	MG RESISTOR	22kΩ 1/16W J	
R732	NRSA63J-104X	MG RESISTOR	100kΩ 1/16W J		R858	NRSA63J-223X	MG RESISTOR	22kΩ 1/16W J	
R733	NRSA63J-123X	MG RESISTOR	12kΩ 1/16W J		R859	NRSA63J-223X	MG RESISTOR	22kΩ 1/16W J	

△ Symbol No.	Part No.	Part Name	Description	Local	Block No. [0][3]
D661	HSU119-X	SI DIODE			
D662	HSU119-X	SI DIODE			
D691	RKZ5.1B2KG-X	Z DIODE			
D692	RKZ5.1B2KG-X	Z DIODE			
C620	NCB31CK-105X	C CAPACITOR	1uF 16V K		
C624	NCB31CK-104X	C CAPACITOR	0.1uF 16V K		
C628	NCB21CK-105X	C CAPACITOR	1uF 16V K		
C661	NCB31CK-105X	C CAPACITOR	1uF 16V K		
C662	NDC31HJ-151X	C CAPACITOR	150pF 50V J		
C663	NCB31CK-223X	C CAPACITOR	0.022uF 16V K		
C682	NCB31EK-104X	C CAPACITOR	0.1uF 25V K		
C687	NCB31HK-472X	C CAPACITOR	4700pF 50V K		
C688	NCB31HK-472X	C CAPACITOR	4700pF 50V K		
C691	NCJ11EK-106X-R	C CAPACITOR	10uF 25V		
C692	NCJ11EK-106X-R	C CAPACITOR	10uF 25V		
R601	NRSA63J-821X	MG RESISTOR	820Ω 1/16W J		
R602	NRSA63J-821X	MG RESISTOR	820Ω 1/16W J		
R603	NRSA63J-122X	MG RESISTOR	1.2kΩ 1/16W J		
R604	NRSA63J-182X	MG RESISTOR	1.8kΩ 1/16W J		
R605	NRSA63J-272X	MG RESISTOR	2.7kΩ 1/16W J		
R607	NRSA63J-821X	MG RESISTOR	820Ω 1/16W J		
R608	NRSA63J-821X	MG RESISTOR	820Ω 1/16W J		
R609	NRSA63J-122X	MG RESISTOR	1.2kΩ 1/16W J		
R610	NRSA63J-182X	MG RESISTOR	1.8kΩ 1/16W J		
R611	NRSA63J-272X	MG RESISTOR	2.7kΩ 1/16W J		
R612	NRSA63J-392X	MG RESISTOR	3.9kΩ 1/16W J		
R613	NRSA63J-103X	MG RESISTOR	10kΩ 1/16W J		
R621	NRSA63J-0R0X	MG RESISTOR	0Ω 1/10W J		
R623	NRS181J-331X	MG RESISTOR	330Ω 1/8W J		
R624	NRSA63J-101X	MG RESISTOR	100Ω 1/16W J		
R625	NRSA63J-101X	MG RESISTOR	100Ω 1/16W J		
R627	NRSA63J-102X	MG RESISTOR	1kΩ 1/16W J		
R628	NRS181J-4R7X	MG RESISTOR	4.7Ω 1/8W J		
R631	NRS181J-471X	MG RESISTOR	470Ω 1/8W J		
R647	NRS181J-471X	MG RESISTOR	470Ω 1/8W J		
R648	NRS181J-471X	MG RESISTOR	470Ω 1/8W J		
R649	NRS181J-821X	MG RESISTOR	820Ω 1/8W J		
R656	NRS181J-471X	MG RESISTOR	470Ω 1/8W J		
R657	NRS181J-471X	MG RESISTOR	470Ω 1/8W J		
R658	NRS181J-751X	MG RESISTOR	750Ω 1/8W J		
R660	NRSA63J-394X	MG RESISTOR	390kΩ 1/16W J		
R661	NRSA63J-102X	MG RESISTOR	1kΩ 1/16W J		
R662	NRSA63J-102X	MG RESISTOR	1kΩ 1/16W J		
R663	NRSA63J-102X	MG RESISTOR	1kΩ 1/16W J		
R664	NRSA63J-224X	MG RESISTOR	220kΩ 1/16W J		
R665	NRSA63J-101X	MG RESISTOR	100Ω 1/16W J		
R666	NRSA63J-101X	MG RESISTOR	100Ω 1/16W J		
R667	NRSA63J-101X	MG RESISTOR	100Ω 1/16W J		
R674	NQR0007-002X	FERRITE BEADS			
R675	NQR0007-002X	FERRITE BEADS			
R676	NQR0007-002X	FERRITE BEADS			
R681	NRSA63J-471X	MG RESISTOR	470Ω 1/16W J		
R682	NRSA63J-102X	MG RESISTOR	1kΩ 1/16W J		
R693	NRSA63J-103X	MG RESISTOR	10kΩ 1/16W J		
L691	NQR0536-001X	CHOKE COIL			
CJ601	QGZ1101K1-20	CONNECTOR	(1-20)		
CN603	QNZ1006-001	USB CONNECTOR			
J601	QNS0280-001	3.5 JACK			
JS686	QSW1231-002	ROTARY ENCODER			
S601	NSW0326-001X	TACT SWITCH			
S602	NSW0326-001X	TACT SWITCH			
S603	NSW0326-001X	TACT SWITCH			
S604	NSW0326-001X	TACT SWITCH			
S605	NSW0326-001X	TACT SWITCH			
S606	NSW0326-001X	TACT SWITCH			
S607	NSW0326-001X	TACT SWITCH			
S608	NSW0326-001X	TACT SWITCH			
S609	NSW0326-001X	TACT SWITCH			
S610	NSW0326-001X	TACT SWITCH			
S611	NSW0326-001X	TACT SWITCH			
△ Symbol No.	Part No.	Part Name	Description	Local	
△ IC101	SAF3560HV/V1100	IC			
IC151	JVM459C	PROGRAMED IC			
IC191	M12L1281687TG2T	IC(DIGITAL)			
Q101	RT1N141C-X	DIGI TRANSISTOR			
C101	NCB31CK-105X	C CAPACITOR	1uF 16V K		
C102	NDC31HJ-471X	C CAPACITOR	470pF 50V J		
C103	NCB31CK-104X	C CAPACITOR	0.1uF 16V K		
C104	NCB31CK-104X	C CAPACITOR	0.1uF 16V K		
C105	NCB31CK-104X	C CAPACITOR	0.1uF 16V K		
C106	NCB31CK-104X	C CAPACITOR	0.1uF 16V K		
C107	NCB31CK-104X	C CAPACITOR	0.1uF 16V K		
C108	NCB31CK-104X	C CAPACITOR	0.1uF 16V K		
C109	NCB31CK-104X	C CAPACITOR	0.1uF 16V K		
C110	NDC31HJ-5R0X	C CAPACITOR	5pF 50V J		
C111	NCB31CK-104X	C CAPACITOR	0.1uF 16V K		
C112	NDC31HJ-5R0X	C CAPACITOR	5pF 50V J		
C113	NCB31CK-104X	C CAPACITOR	0.1uF 16V K		
C114	NCB31CK-104X	C CAPACITOR	0.1uF 16V K		
C115	NCB31CK-104X	C CAPACITOR	0.1uF 16V K		
C116	NCB31CK-104X	C CAPACITOR	0.1uF 16V K		
C117	NCB31CK-104X	C CAPACITOR	0.1uF 16V K		
C118	NCB31CK-104X	C CAPACITOR	0.1uF 16V K		
C119	NCB31CK-104X	C CAPACITOR	0.1uF 16V K		
C120	NCB31CK-104X	C CAPACITOR	0.1uF 16V K		
C121	NCB31CK-104X	C CAPACITOR	0.1uF 16V K		
C122	NCB31CK-104X	C CAPACITOR	0.1uF 16V K		
C123	NCB31CK-104X	C CAPACITOR	0.1uF 16V K		
C124	NCB31CK-104X	C CAPACITOR	0.1uF 16V K		
C125	NCB31CK-104X	C CAPACITOR	0.1uF 16V K		
C126	NCB31CK-104X	C CAPACITOR	0.1uF 16V K		
C127	NCB31CK-104X	C CAPACITOR	0.1uF 16V K		
C128	NCB31CK-104X	C CAPACITOR	0.1uF 16V K		
C129	NCB31CK-104X	C CAPACITOR	0.1uF 16V K		
C130	NCB31CK-104X	C CAPACITOR	0.1uF 16V K		
C131	NCB31CK-104X	C CAPACITOR	0.1uF 16V K		
C132	NCB31CK-104X	C CAPACITOR	0.1uF 16V K		
C133	NCB31CK-104X	C CAPACITOR	0.1uF 16V K		
C134	NCB31CK-104X	C CAPACITOR	0.1uF 16V K		
C141	NDC31HJ-270X	C CAPACITOR	27pF 50V J		
C142	NDC31HJ-270X	C CAPACITOR	27pF 50V J		
C143	NDC31HJ-270X	C CAPACITOR	27pF 50V J		
C144	NDC31HJ-270X	C CAPACITOR	27pF 50V J		
C145	NDC31HJ-270X	C CAPACITOR	27pF 50V J		
C146	NDC31HJ-270X	C CAPACITOR	27pF 50V J		
C147	NDC31HJ-270X	C CAPACITOR	27pF 50V J		
C148	NDC31HJ-270X	C CAPACITOR	27pF 50V J		
C151	NCB31CK-104X	C CAPACITOR	0.1uF 16V K		
C191	NCB31CK-104X	C CAPACITOR	0.1uF 16V K		
C192	NCB31CK-104X	C CAPACITOR	0.1uF 16V K		
C193	NCB31CK-104X	C CAPACITOR	0.1uF 16V K		
C194	NCB31CK-104X	C CAPACITOR	0.1uF 16V K		
C195	NCB31CK-104X	C CAPACITOR	0.1uF 16V K		
C196	NCB31CK-104X	C CAPACITOR	0.1uF 16V K		
C197	NCB31CK-104X	C CAPACITOR	0.1uF 16V K		
R102	NRSA63J-103X	MG RESISTOR	10kΩ 1/16W J		
R104	NRSA63J-470X	MG RESISTOR	47Ω 1/16W J		
R105	NRSA63J-470X	MG RESISTOR	47Ω 1/16W J		
R106	NRSA63J-101X	MG RESISTOR	100Ω 1/16W J		
R107	NRSA63J-470X	MG RESISTOR	47Ω 1/16W J		
R110	NRSA63J-101X	MG RESISTOR	100Ω 1/16W J		
R111	NRSA63J-470X	MG RESISTOR	47Ω 1/16W J		
R113	NRSA63J-470X	MG RESISTOR	47Ω 1/16W J		
R151	NRSA63J-103X	MG RESISTOR	10kΩ 1/16W J		
R152	NRSA63J-103X	MG RESISTOR	10kΩ 1/16W J		
R160	NRSA63J-0R0X	MG RESISTOR	0Ω 1/10W J		
R161	NRSA63J-0R0X	MG RESISTOR	0Ω 1/10W J		
R162	NRSA63J-0R0X	MG RESISTOR	0Ω 1/10W J		
R163	NRSA63J-0R0X	MG RESISTOR	0Ω 1/10W J		
R164	NRSA63J-103X	MG RESISTOR	10kΩ 1/16W J		
R165	NRSA63J-103X	MG RESISTOR	10kΩ 1/16W J		
RA101	NRZ0114-470W	NET RESISTOR	47Ω		
RA102	NRZ0114-470W	NET RESISTOR	47Ω		
RA103	NRZ0114-470W	NET RESISTOR	47Ω		

HD board

△ Symbol No.	Part No.	Part Name	Description	Local	△ Symbol No.	Part No.	Part Name	Description	Local
RA104	NRZ0114-470W	NET RESISTOR	47Ω		C501	NEHN1AM-107X	E CAPACITOR	100uF 10V M	
RA105	NRZ0114-470W	NET RESISTOR	47Ω		C502	NCB31CK-104X	C CAPACITOR	0.1uF 16V K	
RA106	NRZ0114-470W	NET RESISTOR	47Ω		C503	NDC31HJ-680X	C CAPACITOR	68pF 50V J	
RA107	NRZ0114-470W	NET RESISTOR	47Ω		C511	NCB31HK-122X	C CAPACITOR	1200pF 50V K	
RA108	NRZ0114-470W	NET RESISTOR	47Ω		C512	NCB31HK-182X	C CAPACITOR	1800pF 50V K	
RA109	NRZ0114-470W	NET RESISTOR	47Ω		C513	NCB31HK-222X	C CAPACITOR	2200pF 50V K	
RA110	NRZ0114-470W	NET RESISTOR	47Ω		C514	NCB31HK-682X	C CAPACITOR	6800pF 50V K	
RA111	NRZ0114-470W	NET RESISTOR	47Ω		C531	NEAF0JM-107X	E CAPACITOR	100uF 6.3V M	
L101	NQR0129-003X	FERRITE BEADS			C532	NCB31CK-104X	C CAPACITOR	0.1uF 16V K	
CN101	QGG2004K2-18	CONNECTOR	(1-18)		R101	NRSA63J-391X	MG RESISTOR	390Ω 1/16W J	
X101	NAX0964-001X	CRYSTAL			R102	NRSA63J-822X	MG RESISTOR	8.2kΩ 1/16W J	
					R103	NRSA63J-184X	MG RESISTOR	180kΩ 1/16W J	
					R104	NRSA63J-184X	MG RESISTOR	180kΩ 1/16W J	
					R105	NRSA63J-153X	MG RESISTOR	15kΩ 1/16W J	
					R201	NRSA63J-391X	MG RESISTOR	390Ω 1/16W J	
					R202	NRSA63J-822X	MG RESISTOR	8.2kΩ 1/16W J	
					R203	NRSA63J-184X	MG RESISTOR	180kΩ 1/16W J	
					R204	NRSA63J-184X	MG RESISTOR	180kΩ 1/16W J	
					R205	NRSA63J-153X	MG RESISTOR	15kΩ 1/16W J	
					R301	NRSA63J-100X	MG RESISTOR	10Ω 1/16W J	
					R302	NRSA63J-473X	MG RESISTOR	47kΩ 1/16W J	
					R304	NRSA63J-103X	MG RESISTOR	10kΩ 1/16W J	
					R306	NRSA63J-473X	MG RESISTOR	47kΩ 1/16W J	
					R307	NRSA63J-102X	MG RESISTOR	1kΩ 1/16W J	
					R309	NRSA63J-103X	MG RESISTOR	10kΩ 1/16W J	
					R311	NRSA63J-101X	MG RESISTOR	100Ω 1/16W J	
					R312	NRSA63J-101X	MG RESISTOR	100Ω 1/16W J	
					R313	NRSA63J-101X	MG RESISTOR	100Ω 1/16W J	
					R314	NRSA63J-272X	MG RESISTOR	2.7kΩ 1/16W J	
					R315	NRSA63J-821X	MG RESISTOR	820Ω 1/16W J	
					R316	NRSA63J-823X	MG RESISTOR	82kΩ 1/16W J	
					R317	NRSA63J-473X	MG RESISTOR	47kΩ 1/16W J	
					R319	NRSA63J-0R0X	MG RESISTOR	0Ω 1/10W J	
					R320	NRSA63J-0R0X	MG RESISTOR	0Ω 1/10W J	
					R321	NRSA63J-0R0X	MG RESISTOR	0Ω 1/10W J	
					R322	NRSA63J-822X	MG RESISTOR	8.2kΩ 1/16W J	
					R323	NRSA63J-822X	MG RESISTOR	8.2kΩ 1/16W J	
					R324	NRSA63J-473X	MG RESISTOR	47kΩ 1/16W J	
					R325	NRSA02F-100X	MG RESISTOR	10Ω 1/10W F	
					R326	NRSA02F-100X	MG RESISTOR	10Ω 1/10W F	
					R327	NRSA63J-101X	MG RESISTOR	100Ω 1/16W J	
					R328	NRSA63J-101X	MG RESISTOR	100Ω 1/16W J	
					R329	NRSA63J-101X	MG RESISTOR	100Ω 1/16W J	
					R330	NRSA63J-473X	MG RESISTOR	47kΩ 1/16W J	
					R331	NRSA63J-151X	MG RESISTOR	150Ω 1/16W J	
					R332	NRSA63J-105X	MG RESISTOR	1MΩ 1/16W J	
					R333	NRSA63J-221X	MG RESISTOR	220Ω 1/16W J	
					R336	NRSA63J-0R0X	MG RESISTOR	0Ω 1/10W J	
					R337	NRSA63J-0R0X	MG RESISTOR	0Ω 1/10W J	
					R338	NRSA63J-0R0X	MG RESISTOR	0Ω 1/10W J	
					R341	NRSA63J-563X	MG RESISTOR	56kΩ 1/16W J	
					R342	NRSA63J-333X	MG RESISTOR	33kΩ 1/16W J	
					R343	NRSA63D-472X	MG RESISTOR	4.7kΩ 1/16W D	
					R345	NRSA63D-472X	MG RESISTOR	4.7kΩ 1/16W D	
					R347	NRSA63J-0R0X	MG RESISTOR	0Ω 1/10W J	
					R348	NRSA63J-0R0X	MG RESISTOR	0Ω 1/10W J	
					R349	NRSA63J-0R0X	MG RESISTOR	0Ω 1/10W J	
					R353	NRSA63J-473X	MG RESISTOR	47kΩ 1/16W J	
					R354	NRSA63J-473X	MG RESISTOR	47kΩ 1/16W J	
					R355	NRSA63J-0R0X	MG RESISTOR	0Ω 1/10W J	
					R356	NRSA63J-103X	MG RESISTOR	10kΩ 1/16W J	
					R357	NRSA63J-103X	MG RESISTOR	10kΩ 1/16W J	
					R358	NRSA63J-103X	MG RESISTOR	10kΩ 1/16W J	
					R359	NRSA63J-103X	MG RESISTOR	10kΩ 1/16W J	
					R361	NRSA63J-103X	MG RESISTOR	10kΩ 1/16W J	
					R371	NRSA63J-0R0X	MG RESISTOR	0Ω 1/10W J	
					R501	NRS125J-100X	MG RESISTOR	10Ω 1/2W J	
					R503	NRSA63J-822X	MG RESISTOR	8.2kΩ 1/16W J	
					R504	NRSA63J-512X	MG RESISTOR	5.1kΩ 1/16W J	
					R505	NRSA63J-333X	MG RESISTOR	33kΩ 1/16W J	
					R506	NRSA63J-683X	MG RESISTOR	68kΩ 1/16W J	
					R507	NRSA63J-683X	MG RESISTOR	68kΩ 1/16W J	
					R508	NRSA63J-273X	MG RESISTOR	27kΩ 1/16W J	
					R509	NRSA63J-153X	MG RESISTOR	15kΩ 1/16W J	
					R510	NRSA63J-682X	MG RESISTOR	6.8kΩ 1/16W J	
					R511	NRSA63J-153X	MG RESISTOR	15kΩ 1/16W J	
					R512	NRSA63J-153X	MG RESISTOR	15kΩ 1/16W J	

Mecha control board

Block No. [0][4]

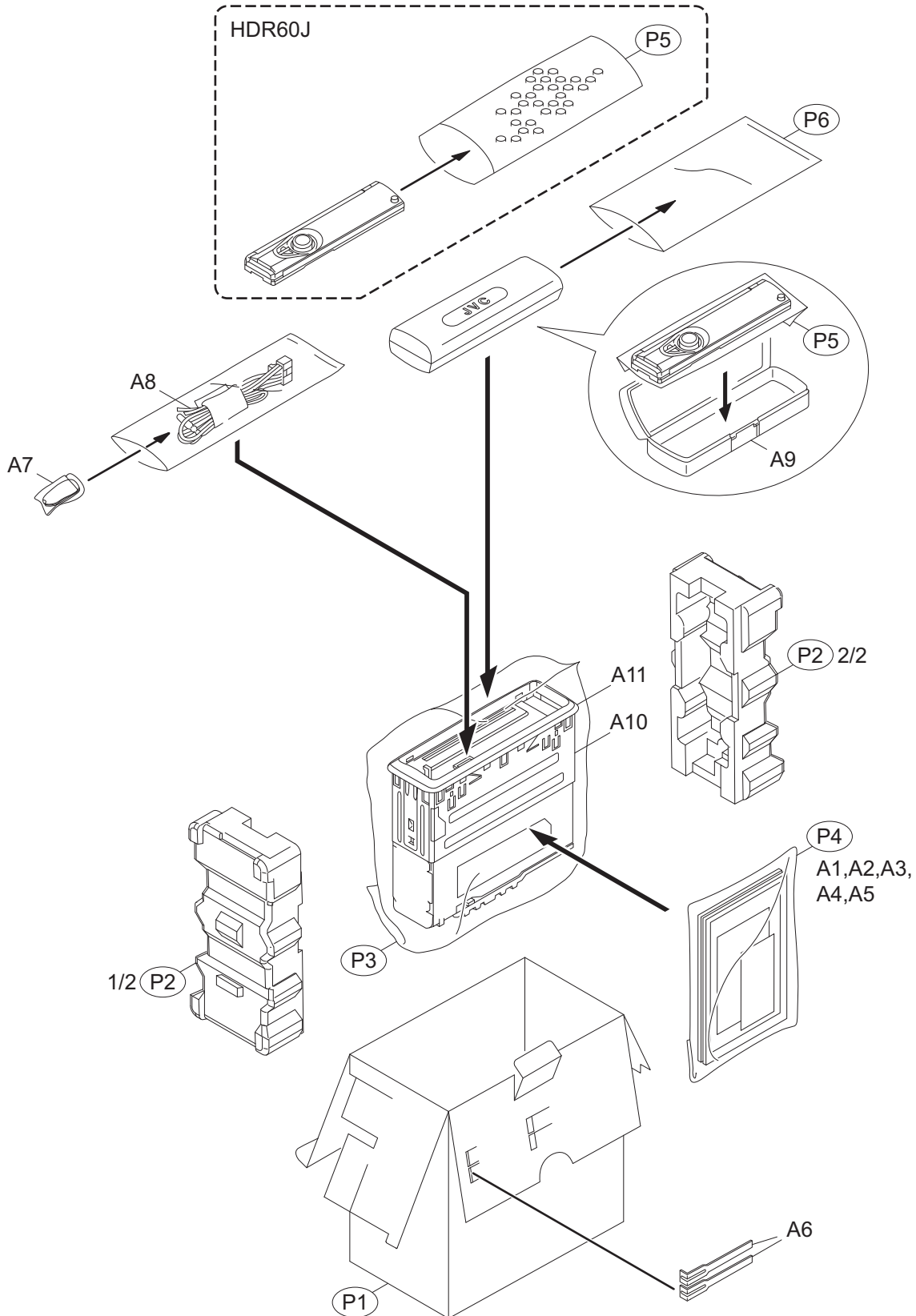
△ Symbol No.	Part No.	Part Name	Description	Local
IC301	MN6627971JA	IC		
IC302	BR24L16F-W-X	IC(DIGITAL)		
IC501	LA6565-X	IC		
Q101	2SD601A/R/-X	TRANSISTOR		
Q201	2SD601A/R/-X	TRANSISTOR		
Q211	PS1191RB22/BC/X	PHOTO TRANSISTOR		
Q212	PS1191RB22/BC/X	PHOTO TRANSISTOR		
Q301	ISA1530AC1/RS/X	TRANSISTOR		
Q302	RT1N441C-X	TRANSISTOR		
Q501	2SB1424/R/-W	TRANSISTOR		
D101	AN1105W21/AB/-X	IR LED		
D201	AN1105W21/AB/-X	IR LED		
D301	RB521S-30-X	SB DIODE		
D501	1SR154-400-X	SI DIODE		
C101	NCB31CK-104X	C CAPACITOR	0.1uF 16V K	
C102	NCB31CK-104X	C CAPACITOR	0.1uF 16V K	
C103	NCB31CK-104X	C CAPACITOR	0.1uF 16V K	
C301	NEAF0JM-476X	E CAPACITOR	47uF 6.3V M	
C302	NCB31CK-104X	C CAPACITOR	0.1uF 16V K	
C303	NEAF0JM-476X	E CAPACITOR	47uF 6.3V M	
C304	NCB31CK-104X	C CAPACITOR	0.1uF 16V K	
C305	NCB31CK-104X	C CAPACITOR	0.1uF 16V K	
C306	NCB31CK-104X	C CAPACITOR	0.1uF 16V K	
C307	NCB31CK-334X	C CAPACITOR	0.33uF 16V K	
C308	NCB31HK-102X	C CAPACITOR	1000pF 50V K	
C309	NCB31EK-823X	C CAPACITOR	0.082uF 25V K	
C310	NCB31HK-102X	C CAPACITOR	1000pF 50V K	
C311	NCB31CK-104X	C CAPACITOR	0.1uF 16V K	
C312	NCB31HK-153X	C CAPACITOR	0.015uF 50V K	
C313	NCJ21CK-475X-R	C CAPACITOR	4.7uF 16V K	
C314	NCB31HK-332X	C CAPACITOR	3300pF 50V K	
C315	NEAF0JM-476X	E CAPACITOR	47uF 6.3V M	
C316	NEAF0JM-476X	E CAPACITOR	47uF 6.3V M	
C317	NCB31HK-223X	C CAPACITOR	0.022uF 50V K	
C319	NCB31CK-334X	C CAPACITOR	0.33uF 16V K	
C321	NCB31HK-272X	C CAPACITOR	2700pF 50V K	
C322	NCB31AK-154X	C CAPACITOR	0.15uF 10V K	
C323	NEAF0JM-476X	E CAPACITOR	47uF 6.3V M	
C324	NCB31CK-104X	C CAPACITOR	0.1uF 16V K	
C327	NCB31CK-104X	C CAPACITOR	0.1uF 16V K	
C328	NCB31HK-681X	C CAPACITOR	680pF 50V K	
C329	NCB31CK-104X	C CAPACITOR	0.1uF 16V K	
C330	NCJ20JK-106X-R	C CAPACITOR	10uF 6.3V K	
C331	NCJ20JK-106X-R	C CAPACITOR	10uF 6.3V K	
C332	NCJ20JK-106X-R	C CAPACITOR	10uF 6.3V K	
C334	NCJ20JK-106X-R	C CAPACITOR	10uF 6.3V K	
C335	NCB31CK-104X	C CAPACITOR	0.1uF 16V K	
C336	NCB31CK-104X	C CAPACITOR	0.1uF 16V K	
C337	NCB31CK-104X	C CAPACITOR	0.1uF 16V K	
C338	NCB31CK-104X	C CAPACITOR	0.1uF 16V K	
C341	NDC31HJ-270X	C CAPACITOR	27pF 50V J	
C342	NDC31HJ-270X	C CAPACITOR	27pF 50V J	

△ Symbol No.	Part No.	Part Name	Description	Local
R513	NRSA63J-153X	MG RESISTOR	15kΩ 1/16W J	
R514	NRSA63J-103X	MG RESISTOR	10kΩ 1/16W J	
R515	NRSA63J-102X	MG RESISTOR	1kΩ 1/16W J	
R516	NRSA63J-562X	MG RESISTOR	5.6kΩ 1/16W J	
R517	NRSA63J-562X	MG RESISTOR	5.6kΩ 1/16W J	
R518	NRSA63J-562X	MG RESISTOR	5.6kΩ 1/16W J	
R519	NRSA63J-822X	MG RESISTOR	8.2kΩ 1/16W J	
R520	NRSA63J-822X	MG RESISTOR	8.2kΩ 1/16W J	
R521	NRSA63J-822X	MG RESISTOR	8.2kΩ 1/16W J	
R522	NRSA63J-822X	MG RESISTOR	8.2kΩ 1/16W J	
R523	NRSA63J-822X	MG RESISTOR	8.2kΩ 1/16W J	
R524	NRSA63J-822X	MG RESISTOR	8.2kΩ 1/16W J	
R525	NRSA63J-473X	MG RESISTOR	47kΩ 1/16W J	
CN101	QGB2027LA-22X	CONNECTOR	B-B (1-22)	
CN102	QGF0522F3-15W	CONNECTOR	FFC/FPC (1-15)	
SW1	NSW0291-001X	DETECT SWITCH		
X301	NAX0375-001X	CRYSTAL	16.9344MHz	

Packing materials and accessories parts list

Block No. M 3 M M

No additional / supplemental order of WARRANTY CARDS are available.



The parts without symbol number are not service.

Packing and Accessories

Block No. [M][3][M][M]

△ Symbol No.	Part No.	Part Name	Description	Local
A 1	LVT2095-001A	INST BOOK	ENG SPA FRE	
A 2	LVT2096-001A	INSTALL MANUAL	ENG SPA FRE	
A 3	-----	WARRANTY CARD	BT-52008-1	
A 4	-----	WARRANTY CARD	BT-51029-3	A
A 4	-----	WARRANTY CARD	BT-51018-6	B
A 5	BT-51044-1	REGISTRATION CARD		
A 6	GE40481-001A	HOOK	(x2)	
A 7	RM-RK50C1	REMOCON UNIT		
A 8	QAM1143-001	CAR CABLE		
A 9	GE32320-001A	HARD CASE ASSY		A
A 10	GE20267-001A	MOUNTING SLEEVE		
A 11	GE20235-014A	TRIM PLATE		
P 1	LV38921-003A	CARTON		A
P 1	LV38919-003A	CARTON		B
P 2	GE10271-001A	CUSHION		
P 3	QPC03004315PB	POLY BAG	30cm x 43cm	
P 4	FSPG4002-001	POLY BAG		
P 5	QPC01002515	POLY BAG	10cm x 25cm	A
P 5	GE40276-003A	AIR BUBBLE		B
P 6	QPA01003003	POLY BAG	10cm x 30cm	A