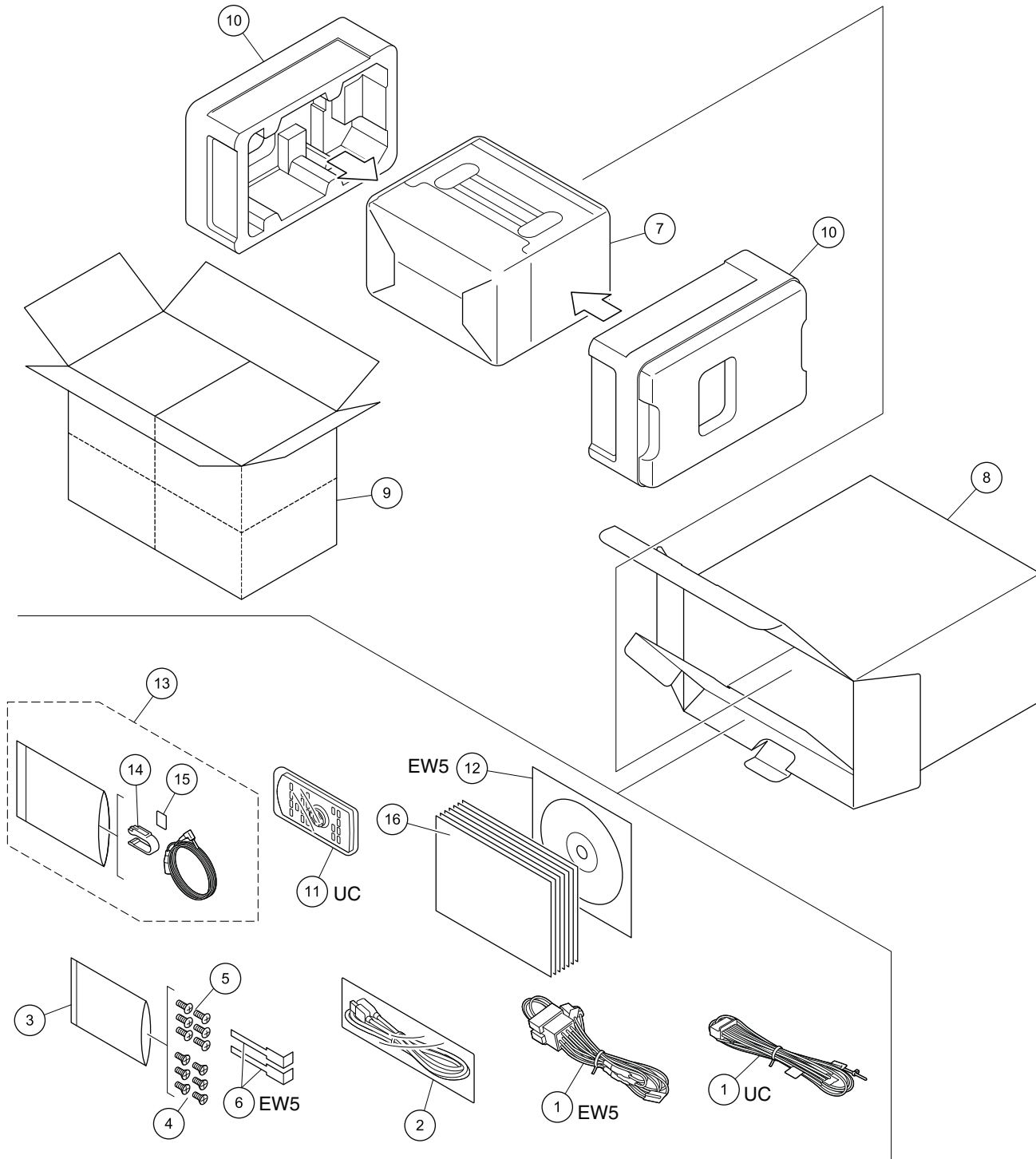


9. EXPLODED VIEWS AND PARTS LIST

NOTES : • Parts marked by "*" are generally unavailable because they are not in our Master Spare Parts List.

- The ⚠ mark found on some component parts indicates the importance of the safety factor of the part. Therefore, when replacing, be sure to use parts of identical designation.
- Screw adjacent to ▽ mark on the product are used for disassembly.
- For the applying amount of lubricants or glue, follow the instructions in this manual.
(In the case of no amount instructions, apply as you think it appropriate.)

9.1 PACKING



(1) PACKING SECTION PARTS LIST

<u>Mark No.</u>	<u>Description</u>	<u>Part No.</u>	<u>Mark No.</u>	<u>Description</u>	<u>Part No.</u>
1	Cord Assy	See Contrast table (2)	12	IM CD-ROM	See Contrast table (2)
2	USB Extended Cable	CDP1587	13	Microphone Assy	CPM1083
3	Polyethylene Bag	CEG1160	14	Holder	CZN7192
4	Screw	CRZ50P090FTC	15	Cushion	CZN7193
5	Screw	TRZ50P080FTC			
6	Handle	See Contrast table (2)	16-1	Owner's Manual	See Contrast table (2)
7	Cover	See Contrast table (2)	16-2	Quick Start Guide	See Contrast table (2)
8	Unit Box	See Contrast table (2)	16-3	Installation Manual	See Contrast table (2)
9	Contain Box	See Contrast table (2)	*	16-4 Caution Card	See Contrast table (2)
10	Protector	See Contrast table (2)	*	16-5 Caution Card	See Contrast table (2)
			*	16-6 Caution Card	See Contrast table (2)
11	Card Remote Control Unit	See Contrast table (2)	*	16-7 Warranty Card	See Contrast table (2)

(2) CONTRAST TABLE

AVH-X3700BHS/XNUC and AVH-X3700DAB/XNEW5 are constructed the same except for the following:

<u>Mark</u>	<u>No.</u>	<u>Description</u>	<u>AVH-X3700BHS/XNUC</u>	<u>AVH-X3700DAB/XNEW5</u>
	1	Cord Assy	CDP1665	CDP1670
	6	Handle	Not used	CND6289
	7	Cover	CEG1359	CEG1356
	8	Unit Box	CHG8703	CHG8713
	9	Contain Box	CHL8703	CHL8713
	10	Protector	CHP4598	CHP4599
	11	Card Remote Control Unit	CXE5116	Not used
	12	IM CD-ROM	Not used	CPJ1484
	16-1	Owner's Manual	CRD4822	Not used
	16-2	Quick Start Guide	Not used	CRD4820
	16-3	Installation Manual	Not used	CRD4821
*	16-4	Caution Card	Not used	CRP1436
*	16-5	Caution Card	Not used	CRP1441
*	16-6	Caution Card	Not used	CRP1481
*	16-7	Warranty Card	QRY3001	CRY1376

Owner's Manual, Installation Manual

<u>Part No.</u>	<u>Language</u>
CRD4820	English, French, Italian, Spanish(Espanol), German, Dutch
CRD4821	English, French, Italian, Spanish(Espanol), German, Dutch
CRD4822	English, French, Spanish(Espanol)

CONTENTS OF CD-ROM (Operation Manual), CPJ1484

<u>Part No.</u>	<u>Language</u>
*CRB4437	English
*CRB4438	French
*CRB4439	Italian
*CRB4440	Spanish(Espanol)
*CRB4441	German
*CRB4442	Dutch
*CRB4443	Swedish
*CRB4444	Norwegian
*CRB4445	Finnish
*CRB4446	Danish
*CRB4447	Portuguese
*CRB4448	Greek
*CRB4449	Turkish

All operation manuals are supplied in PDF files by the CD-ROM.

Regarding the availability of paper manual, contact Pioneer Service representative in your region.

9.2 EXTERIOR (1)

1

2

3

4

A

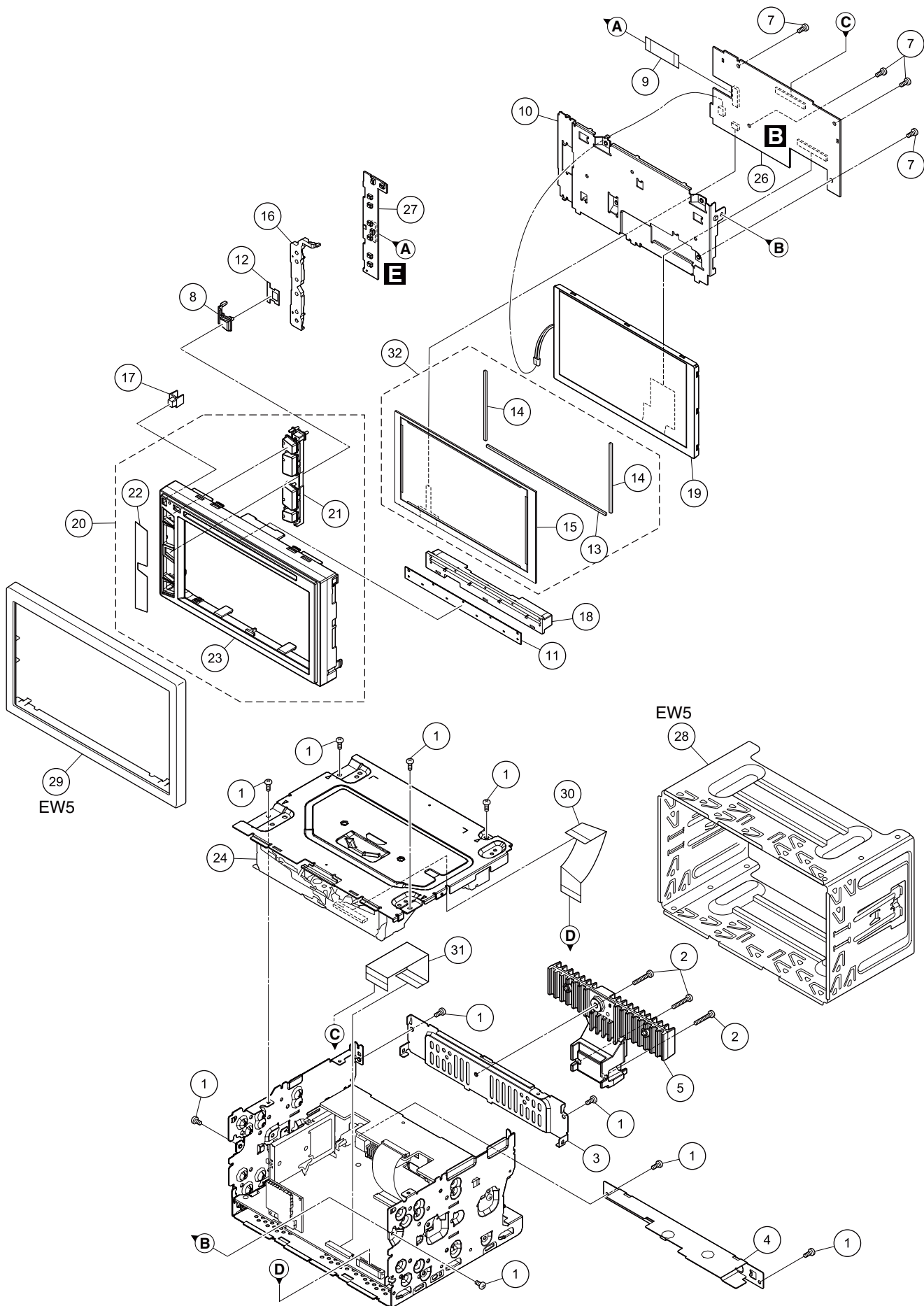
B

C

D

E

F



AVH-X3700BHS/XNUC

1

2

3

4

(1) EXTERIOR (1) SECTION PARTS LIST

<u>Mark No.</u>	<u>Description</u>	<u>Part No.</u>	<u>Mark No.</u>	<u>Description</u>	<u>Part No.</u>
1	Screw	BSZ26P060FTC	17	Lighting Conductor	CNW3303
2	Screw	BSZ26P120FTC	18	Holder	CNW3304
3	Holder	CND7211	19	TFT LCD	CWX4348
4	Holder	CND7212	20	Grille Assy	See Contrast table (2)
5	Heat Sink	CNR2170	21	Button	CAI4447
6		22	Plate	CNN4856
7	Screw	BSZ26P060FTC	23	Grille	See Contrast table (2)
8	Button (HOME)	CAI4448	24	DVD Mechanism Module (LS2.5)	CXK8100
9	FFC	CDE9768	25	
10	Holder	CND7198	26	Service Unit (Monitor)	See Contrast table (2)
11	Cover	CNN4865	27	Service Unit (Keyboard)	CXX7275
12	Sheet	CNN4864	28	Holder	See Contrast table (2)
13	Cushion	CNN4273	29	Panel	See Contrast table (2)
14	Cushion	CNN4964	30	FFC	CDD1069
15	Touch Panel	CSX1234	31	FFC	CDD1071
16	Lighting Conductor	CNW3302	32	Touch Panel Unit	CXE7987

(2) CONTRAST TABLE

AVH-X3700BHS/XNUC and AVH-X3700DAB/XNEW5 are constructed the same except for the following:

Mark	No.	Description	AVH-X3700BHS/XNUC	AVH-X3700DAB/XNEW5
	20	Grille Assy	CXE7702	CXE7700
	23	Grille	CNU2897	CNU2896
	26	Service Unit (Monitor)	CXX7273	CXX7274
	28	Holder	Not used	CND7102
	29	Panel	Not used	CNU2645

9.3 EXTERIOR (2)

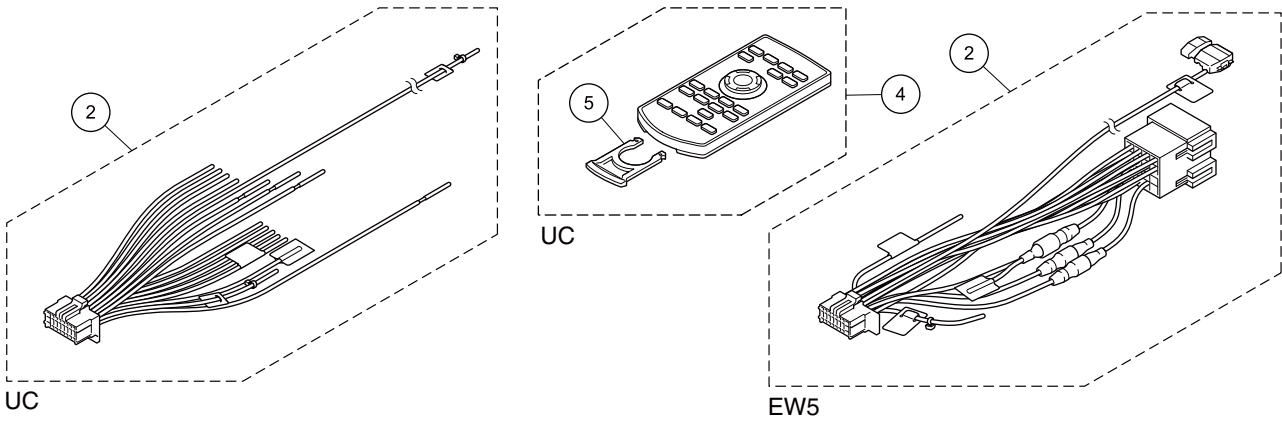
1

2

3

4

A



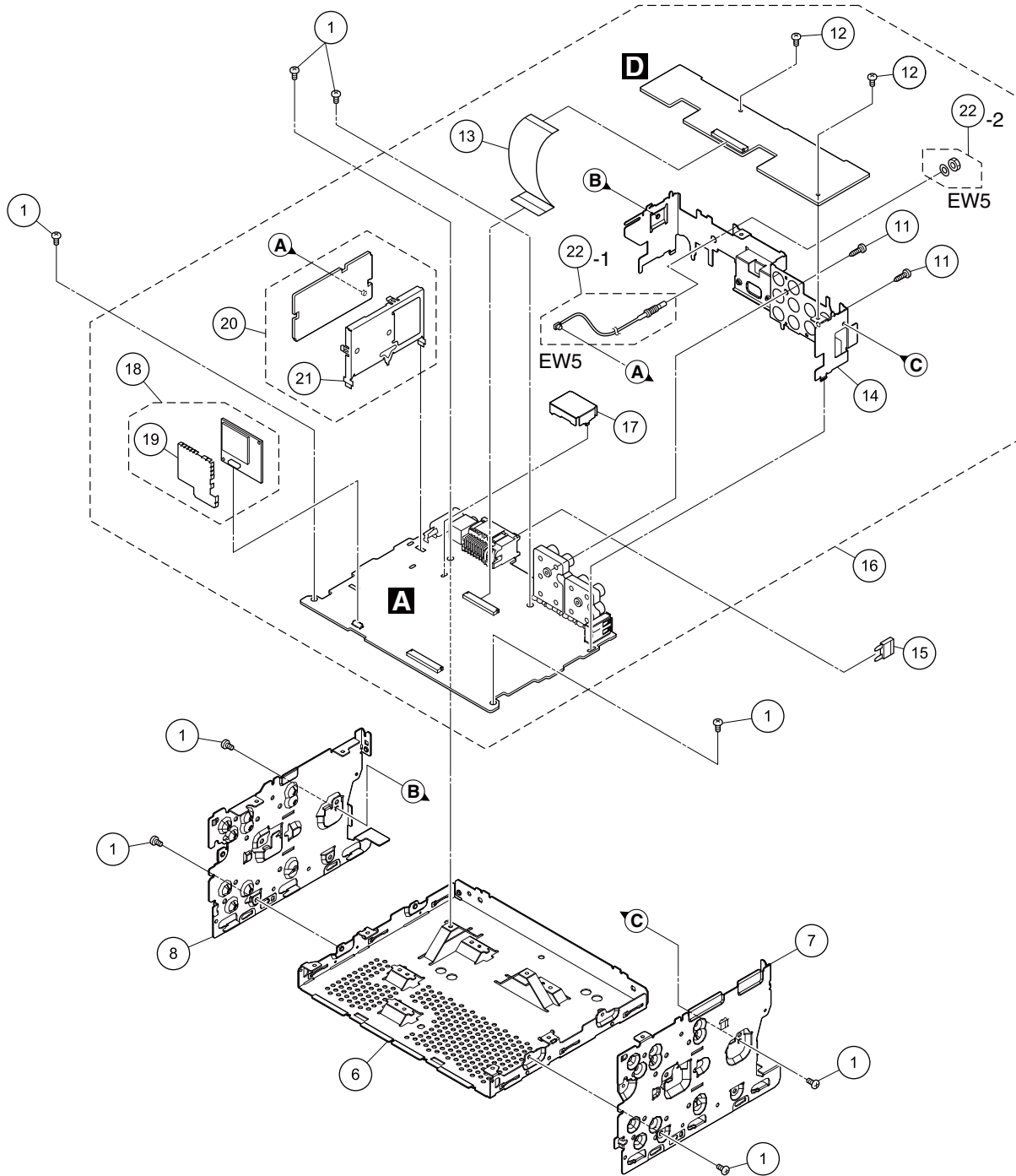
B

C

D

E

F



1

2

3

4

(1) EXTERIOR (2) SECTION PARTS LIST

<u>Mark No.</u>	<u>Description</u>	<u>Part No.</u>	<u>Mark No.</u>	<u>Description</u>	<u>Part No.</u>
1	Screw	BSZ26P060FTC	12	Screw	BSZ26P060FTC
2	Cord Assy	See Contrast table (2)	13	FFC	CDE9766
3		14	Holder	See Contrast table (2)
4	Card Remote Control Unit	See Contrast table (2)	⚠ 15	Fuse (10 A)	YEK5001
5	Battery Cover	See Contrast table (2)			
6	Chassis	CNA3310	16	Service Unit (Mother I/F)	See Contrast table (2)
7	Bracket	CND6985	17	Shield Case	CND7210
8	Bracket	CND6986	18	BT Module	YWX5055
9		19	Shield Case	YNC5123
10		20	BE Core Unit (U2101)	See Contrast table (2)
			21	Holder	CND7288
11	Screw	BPZ26P080FTC	22	Antenna Cable Assy	See Contrast table (2)

(2) CONTRAST TABLE

AVH-X3700BHS/XNUC and AVH-X3700DAB/XNEW5 are constructed the same except for the following:

Mark	No.	Description	AVH-X3700BHS/XNUC	AVH-X3700DAB/XNEW5
	2	Cord Assy	CDP1665	CDP1670
	4	Card Remote Control Unit	CXE5116	Not used
	5	Battery Cover	CNU1624	Not used
	14	Holder	CND7208	CND7201
	16	Service Unit (Mother I/F)	CXX7258	CXX7256
	20	BE Core Unit (U2101)	CWE2518	CWE2517 (Tuner Unit)
	22	Antenna Cable Assy	Not used	CXE7975

9.4 DVD MECHANISM MODULE (1)

1

2

3

4

A

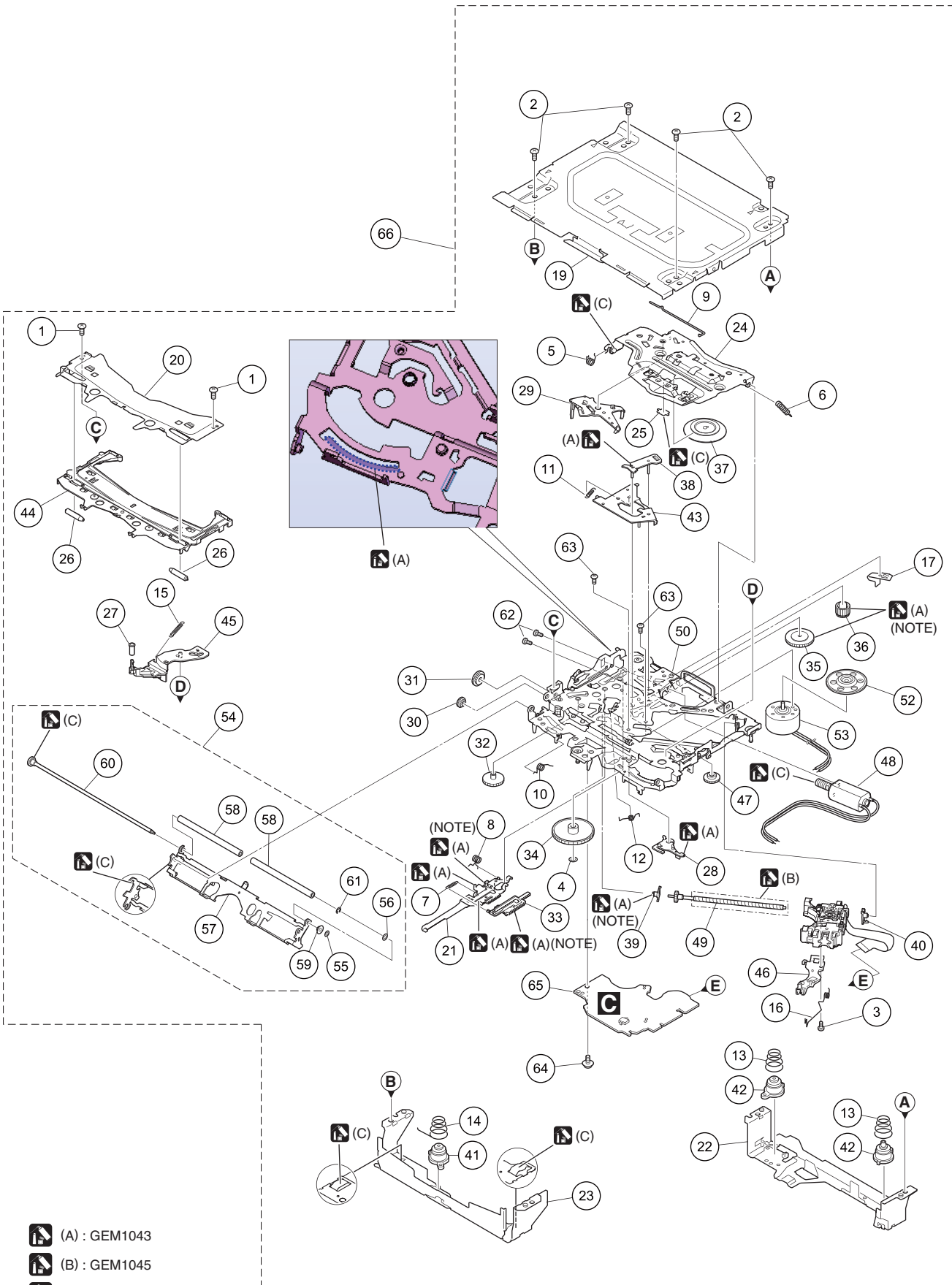
B

C

D

E

F



- (A) : GEM1043
- (B) : GEM1045
- (C) : GEM1024

(NOTE) Apply grease to the whole part.

1

2

3

4

5 6 7 8
DVD MECHANISM MODULE (1) SECTION PARTS LIST

<u>Mark No.</u>	<u>Description</u>	<u>Part No.</u>	<u>Mark No.</u>	<u>Description</u>	<u>Part No.</u>
1	Screw	BSZ20P040FTC	50	Chassis Unit	CXE8407
2	Screw	BSZ26P060FTC			
3	Screw (M2 x 4)	CBA1835	51	
4	Washer	CBF1038	*	52 Support Wheel	CNW2052
5	Spring	CBH2855	*	53 Spindle Motor	EXM2002
				54 Arm Assy	CXE7890
6	Spring	CBH2860		55 Washer	CBF1037
7	Spring	CBH3010			
8	Spring	CBH3011	56	Washer	CBF1038
9	Spring	CBH3014	57	Arm	CND6779
10	Spring	CBH3015	58	Roller	CNW2500
			59	Collar	CNW2444
11	Spring	CBH3016	60	Gear Unit	CXE6225
12	Spring	CBH3017			
13	Spring	CBH3019	61	E Ring	YE15FTC
14	Spring	CBH3086	62	Screw	JFZ20P025FTC
15	Spring	CBH3095	63	Screw	JGZ17P020FTC
			64	Screw (M2 x 5)	EBA1028
16	Spring	CBH3096	65	DVD Core Unit	CWX4609
17	Plate Spring	CBL1824			
18		66	Mechanism Unit(Service)	CXX7126
19	Case	CNB3928	Pickup, Spindle Motor and Support Wheel are not available as service parts, because they need adjustment by special equipment after replacing.		
20	Bracket	CND4553			
21	Lever	CND7225			
22	Bracket	CND5710			
23	Bracket	CND6127			
24	Arm	CND7224			
25	Sheet	CNN3678			
26	Roller	CNW1172			
27	Roller	CNW1175			
28	Arm	CNW1177			
29	Arm	CNW1178			
30	Gear	CNW1180			
31	Gear	CNW1181			
32	Gear	CNW1183			
33	Rack	CNW1184			
34	Gear	CNW1185			
35	Gear	CNW1186			
36	Gear	CNW1187			
37	Clamper	CNW1190			
38	Arm	CNW1192			
39	Holder	CNW1193			
40	Holder	CNW1194			
41	Damper	CNW2439			
42	Damper	CNW2440			
43	Arm	CNW1726			
44	Guide	CNW3489			
45	Arm	CNW2241			
46	Rack	CNW2265			
47	Gear	CNW2287			
48	Motor Unit	CXC4026			
49	Screw Unit	CXC8894			

12. ELECTRICAL PARTS LIST

NOTE:

- Parts whose parts numbers are omitted are subject to being not supplied.
- The part numbers shown below indicate chip components.

Chip Resistor

RS1/○S○○○○J,RS1/○○S○○○○J

Chip Capacitor (except for CQS.....)

CKS....., CCS....., CSZS.....

- The \triangle mark found on some component parts indicates the importance of the safety factor of the part. Therefore, when replacing, be sure to use parts of identical designation.
- Meaning of the figures and others in the parentheses in the parts list.

Example) IC 301 is on the point (face A, 91 of x-axis, and 111 of y-axis) of the corresponding PC board.

IC 301 (A, 91, 111) IC NJM2068V

- The expression of the unit in this manual is shown by μ instead of μ . Please do not make a mistake.

<u>Circuit Symbol and No.</u>	<u>Part No.</u>	<u>Circuit Symbol and No.</u>	<u>Part No.</u>
A:AVH-X3700BHS/XNUC		IC 351 (B,155,64) DC/DC CONV IC	KBD9876EFJ
		IC 401 (A,49,37) Flash Blank UC IC	MN103LF15RXW
B:AVH-X3700DAB/XNEW5		IC 601 (A,91,46) AS IC	MN1AA9010Z
Unit Number : CXX7258(A)		IC 603 (B,151,91) And Logic IC	MC74VHC1GT08DFG
Unit Number : CXX7256(B)		IC 851 (B,104,21) RAM IC	M12L2561616A-5TG2S
Unit Name : Service Unit(Mother I/F)		IC 871 (B,78,53) Flash Memory IC(A)	MX25L6406EM2I-12G
Unit Number : CXX7273(A)		(B,78,53)Serial Flash Memory IC(B)	MX25L1606EM2I-12G
Unit Number : CXX7274(B)		IC 881 (B,78,41) Flash ROM Unit	S99-50389P
Unit Name : Service Unit(Monitor)		IC 891 (A,124,54) IC	337S3959
Unit Number : CWX4609		IC 901 (B,110,55) IC	AK8814VQ
Unit Name : DVD Core Unit		IC 931 (B,98,73) IC	NJM2283V
Unit Number : CXX7275		IC 1101 (B,137,50) IC	AK4223VQ
Unit Name : Service Unit(Keyboard)		IC 1201 (B,137,79) AUD DSP SYS LSI	PM9014A
		IC 1271 (B,113,84) OP AMP IC	NJW1240V
		IC 1301 (A,88,121) Power AMP IC	PA2032A
		IC 2001 (B,28,29) Regulator IC	MM3479A33P
		IC 2002 (B,28,51) Regulator IC	MM3479A12P
		IC 2003 (B,33,61) Regulator IC(B)	MM3479A33P
		IC 2004 (A,37,60) Regulator IC	MM3479A33P
		IC 2201 (A,40,74) Tuner IC(A)	TEF6688HN
		(A,40,74) Tuner IC(B)	TEF6686HN
		IC 2401 (B,160,86) DC/DC CONV IC	AN33014UA
		IC 2501 (A,143,26) Logic IC	TC7SZ32FUS1
		IC 3191 (B,155,100) Interface IC	STCC2540IQ
		IC 3221 (B,75,71) Comparator IC	TC75S57FU
		IC 3231 (B,83,72) V AMP IC	BH7673G
		IC 3232 (B,89,79) V AMP IC	BH7673G
		IC 3233 (B,111,69) V AMP IC	BH7673G
		IC 3234 (B,98,81) V AMP IC	BH7673G
		IC 4001 (B,26,32) IC(A)	TC7SH126FU
		IC 4002 (B,22,34) And Logic IC(A)	MC74VHC1GT08DFG
		IC 4004 (B,63,37) And Logic IC(A)	MC74VHC1GT08DFG
		IC 4005 (B,55,32) And Logic IC(A)	MC74VHC1GT08DFG
		Q 11 (B,72,95) Chip Transistor	HN1C01FU
		Q 21 (B,59,127) Resistor Built-IN TR	LTC014EEB
		Q 31 (B,64,124) Resistor Built-IN TR	LTC014EEB
		Q 51 (B,40,124) Bipolar TR	LSAR523UB
		Q 61 (B,51,127) Bipolar TR	LSAR523UB
		Q 301 (A,167,42) Power MOS FET	ATP112-H
		Q 302 (A,157,40) Power MOS FET	ATP112-H
IC 101 (B,50,102) Regulator IC	NJW4181U3-33B		
IC 111 (A,99,95) Regulator IC	NJW4184DL3-08A		
IC 141 (A,124,60) Regulator IC	MM3479A33P		
IC 160 (B,168,75) Regulator IC	RP132J001B-AE		
IC 231 (B,120,69) Regulator IC	MM1856A50N		
IC 241 (B,74,22) Regulator IC	MM3479A18P		
IC 271 (B,146,29) Regulator IC	MM1856A58N		
IC 301 (B,159,41) IC	AN33012UA		

Service Unit(Mother I/F)

Consists of

Mother PCB

Interface PCB

AD

Unit Number : CXX7258(A)

Unit Number : CXX7256(B)

Unit Name : Service Unit(Mother I/F)

MISCELLANEOUS

1

2

3

4

Circuit Symbol and No.**Part No.****Circuit Symbol and No.****Part No.**

Q 401	(A,54,55) Bipolar TR	LSCR523UB	L 700	(A,76,30) Chip Beads	VTL1126
Q 821	(B,79,66) Bipolar TR	LSCR523UB	L 701	(A,79,28) Chip Beads	VTL1126
Q 892	(A,124,50) Bipolar TR	LSAR523UB	L 702	(A,79,26) Chip Beads	VTL1126
Q 931	(B,93,66) Bipolar TR	LSCR523UB	L 703	(A,80,28) Chip Beads	VTL1126
Q 932	(B,88,69) Bipolar TR	LSCR523UB	L 704	(A,81,26) Chip Beads	VTL1126
Q 933	(B,85,68) Bipolar TR	LSCR523UB	L 705	(A,81,28) Chip Beads	VTL1126
Q 1271	(B,125,85) Resistor Built-IN TR	LTC044EEB	L 706	(A,82,26) Chip Beads	VTL1126
Q 1301	(A,96,108) Chip Transistor	RN1903	L 707	(A,82,28) Chip Beads	VTL1126
Q 1303	(A,89,106) Bipolar TR	LSCR523UB	L 708	(A,83,26) Chip Beads	VTL1126
Q 2001	(A,27,98) Transistor(B)	2SD2153	L 709	(A,84,28) Chip Beads	VTL1126
Q 2002	(B,28,94) Transistor(B)	2SAR293PGZE	L 710	(A,84,26) Chip Beads	VTL1126
Q 2003	(B,28,90) Resistor Built-IN TR(B)	LTC014EEB	L 711	(A,85,28) Chip Beads	VTL1126
Q 2201	(A,25,68) Bipolar TR(A)	MMBT2369L	L 712	(A,85,26) Chip Beads	VTL1126
Q 2202	(A,25,64) Bipolar TR(A)	MMBT2369L	L 713	(A,86,28) Chip Beads	VTL1126
Q 2203	(A,33,68) Bipolar TR(A)	MMBT2369L	L 714	(A,87,26) Chip Beads	VTL1126
Q 2204	(A,32,65) Bipolar TR(A)	MMBT2369L	L 715	(A,87,28) Chip Beads	VTL1126
Q 3051	(B,78,85)	HN1B04FU	L 716	(A,88,26) Chip Beads	VTL1126
Q 3101	(A,26,108) Chip Transistor	2SD2114K	L 717	(A,88,28) Chip Beads	VTL1126
Q 3102	(A,30,108) Transistor	RN4984	L 718	(A,89,26) Chip Beads	VTL1126
Q 3103	(A,23,107) Transistor	RN4984	L 720	(A,91,27) Chip Beads	VTL1126
D 1	(B,67,104) Diode	D1F60-5053	L 725	(B,92,28) Chip Beads	VTL1126
D 2	(B,67,101) Diode	D1F60-5053	L 750	(A,110,34) Chip Beads	VTL1128
D 3	(A,156,79) Diode	RB080L-30	L 851	(B,98,33) Inductor	CTF1786
D 11	(B,73,98) Diode	DZ2J062M0	L 852	(B,111,24) Chip Beads	VTL1128
D 12	(B,68,94) Diode	DZ2J068M0	L 871	(B,84,50) Inductor	CTF1786
D 21	(B,59,124) Rectifier Diode	DA2J101	L 881	(B,84,42) Inductor	CTF1786
D 32	(B,66,127) Diode	DZ2J056M0	L 882	(B,84,47) Inductor	CTF1740
D 41	(A,74,116) Diode	CRG03	L 901	(B,118,62) Inductor	ATL7039
D 51	(B,42,122) Rectifier Diode	DA2J101	L 902	(B,108,44) Inductor	ATL7039
D 61	(B,50,124) Rectifier Diode	DA2J101	L 903	(B,104,64) Chip Beads	VTL1126
D 101	(B,66,93) Diode	D1F60-5053	L 904	(A,113,53) Chip Beads	VTL1126
D 301	(A,162,39) Diode	RB056L-40	L 905	(A,109,53) Chip Beads	VTL1126
D 302	(A,158,33) Diode	RB056L-40	L 906	(A,113,52) Chip Beads	VTL1126
D 351	(A,154,64) Diode	RB056L-40	L 907	(A,109,52) Chip Beads	VTL1126
D 401	(B,62,49) Schottky Diode	DB2J31400	L 908	(A,113,51) Chip Beads	VTL1126
D 403	(B,59,45) Schottky Diode	DB2J31400	L 909	(A,109,51) Chip Beads	VTL1126
D 1301	(A,81,107) Rectifier Diode	DA2J101	L 910	(A,114,50) Chip Beads	VTL1126
D 1302	(A,92,103) Diode	DZ2J082M0	L 911	(A,110,50) Chip Beads	VTL1126
D 2003	(A,32,98) Diode(B)	DZ2J160M0	L 1201	(B,144,80) Ferrite Bead	RS1/16SS0R0J
D 2201	(B,21,102) Diode	EZAEG2A50AX	L 1202	(B,129,80) Ferrite Bead	RS1/16SS0R0J
D 2202	(A,36,91) Diode	EZAEG2A50AX	L 2201	(A,48,63) Inductor	CTF1749
D 2203	(A,35,88) Diode	EZAEG2A50AX	L 2203	(A,32,83) Inductor	LCYC150K1608
D 2401	(B,155,85) Diode	RB060M-30	L 2204	(A,33,89) Inductor	CTF1389
D 2402	(A,154,85) Diode	D1F60-5053	L 2205	(A,39,91) Inductor	LCMAR27J1608
D 3101	(A,22,114) Diode	DZ2S180C	L 2401	(A,160,83) SMD SPL Inductor	CTH1524
D 3102	(A,28,113) Diode	DZ2S180C	L 2402	(B,155,81) Inductor	CTF1793
D 3103	(A,35,113) Diode	DZ2S180C	L 2503	(A,144,28) Chip Beads	VTL1126
D 3104	(A,32,113) Diode	DZ2S180C	L 3051	(A,79,71) Chip Beads(A)	VTL1126
D 3105	(A,33,108) Diode	DZ2J039M0	L 3052	(A,78,70) Chip Beads(A)	VTL1126
D 3152	(B,142,100) Diode	DZ2S180C	L 3053	(B,75,75) Chip Beads(A)	VTL1126
D 3153	(A,150,106) Diode	DZ2S180C	L 3054	(A,77,71) Chip Beads(A)	VTL1126
D 3154	(A,158,105) Diode	DZ2S180C	L 3055	(A,76,70) Chip Beads(A)	VTL1126
D 3191	(A,162,101) Diode	EZAEG2A50AX	L 3101	(A,22,116) Chip Beads	VTL1126
D 3192	(A,162,100) Diode	EZAEG2A50AX	L 3102	(A,32,114) Chip Beads	VTL1126
D 4023	(B,54,28) Rectifier Diode(A)	DA2J101	L 3103	(A,34,114) Chip Beads	VTL1126
L 1	(A,60,103) Choke Coil 600 uH	CTH1221	L 3104	(A,27,114) Chip Beads	VTL1126
L 2	(A,158,73) Choke Coil 10 uH	CTH1486	L 3151	(A,157,107) Chip Beads	VTL1126
L 301	(A,166,29) Choke Coil 7 uH	CTH1381	L 3152	(A,163,107) Chip Beads	VTL1126
L 302	(A,156,28) SMD SPL Inductor	CTH1519	L 3153	(A,151,108) Chip Beads	VTL1126
L 351	(A,153,58) SMD SPL Inductor	CTH1524	L 3154	(A,148,105) Chip Beads	VTL1126

1

2

3

4

5		6		7		8	
<u>Circuit Symbol and No.</u>		<u>Part No.</u>		<u>Circuit Symbol and No.</u>		<u>Part No.</u>	
L 3155	(B,140,102) Chip Beads	VTL1126		R 32	(B,68,124)	RS1/16SS103J	
L 3156	(B,142,103) Chip Beads	VTL1126		R 51	(B,38,123)	RS1/16SS102J	
L 3157	(A,136,107) Chip Beads	VTL1126		R 52	(B,38,124)	RS1/16SS473J	
L 3161	(A,141,106) Chip Beads	VTL1126		R 53	(B,42,124)	RS1/16SS223J	A
L 3162	(A,141,105) Chip Beads	VTL1126		R 54	(B,45,124)	RS1/16SS103J	
L 3163	(A,133,105) Chip Beads	VTL1126					
L 3164	(A,129,106) Chip Beads	VTL1126		R 61	(B,47,124)	RS1/16SS223J	
L 3165	(A,126,106) Chip Beads	VTL1126		R 62	(B,48,123)	RS1/16SS102J	
L 3166	(A,122,105) Chip Beads	VTL1126		R 63	(B,53,127)	RS1/16SS473J	
				R 64	(B,53,124)	RS1/16SS103J	
L 3191	(A,160,101) Coil	ATH7015		R 160	(B,158,78)	RS1/16SS5601D	
L 3231	(B,115,75) Inductor	ATL7015					
L 4001	(B,72,31) Chip Beads	VTL1126		R 161	(B,160,78)	RS1/16SS1202D	
L 4002	(B,72,26) Chip Beads	VTL1126		R 301	(B,150,38)	RS1/16SS561J	
L 4003	(B,60,10) Chip Beads	VTL1126		R 302	(B,150,39)	RS1/16SS3302D	
L 4004	(B,60,15) Chip Beads	VTL1126		R 303	(B,151,41)	RS1/16SS4301D	B
L 4005	(B,161,46) Chip Beads	VTL1126		R 304	(B,150,41)	RS1/16SS3601D	
L 4006	(B,159,43) Chip Beads	VTL1126		R 305	(B,152,41)	RS1/16SS123J	
X 401	(A,49,53) Crystal Resonator 12.500 MHz	CSS1839		R 306	(B,165,36)	RS1/16SS103J	
X 601	(A,77,65) Resonator 24 MHz	CSS1773		R 308	(B,163,46) 11 mohm	CCN1341	
X 2201	(A,49,70) Crystal Resonator 9.216 MHz	CSS1867		R 309	(B,164,35)	RS1/16SS204J	
				R 310	(B,165,35)	RS1/16SS394J	
P 2001	(A,73,86) Poly Switch(A)	FSMD110-24R					
	(A,73,86) Poly Switch(B)	FSMD020-R		R 311	(B,157,46) 12 mohm	CCN1321	
P 2201	(B,19,102) Poly Switch	IMSA-6803-01Y900		R 312	(B,153,38)	RS1/16SS224J	
▲ P3051	(A,131,9) Fuse 0.75 A	CEK1380		R 313	(B,167,40)	RS1/16SS472J	
P 3152	(B,146,99) Poly Switch	FSMD075-24R		R 314	(B,167,37)	RS1/16SS1101D	
				R 315	(B,167,36)	RS1/16SS3000D	C
P 3161	(B,101,104) Poly Switch	FSMD075-24R					
P 4001	(A,102,28) Poly Switch	FSMD075-24R		R 316	(B,167,39)	RS1/16SS1002D	
P 4003	(B,81,11) Poly Switch	FSMD075-24R		R 317	(B,169,39)	RS1/16SS511J	
U 2101	(A,18,63) Tuner Unit(A)	CWE2518		R 318	(B,171,37)	RS1/10SR0R0J	
	(A,18,63) Tuner Unit(B)	CWE2517		R 322	(B,165,39)	RS1/16SS473J	
				R 323	(B,165,38)	RS1/16SS473J	
CN2501	(A,150,8) 30P Connector	VKN1620					
CN2901	(A,51,9) B TO B Connector	CKS6346		R 351	(B,152,58)	RS1/16SS4701D	
CN3051	(A,89,76) FFC/FPC Connector	CKS6645		R 352	(B,152,59)	RS1/16SS4702D	
CN3202	(A,113,10) FFC/FPC Connector	CKS6646		R 353	(B,151,61)	RS1/16SS2202D	
CN4001	(A,145,25) Connector	CKS4497		R 354	(B,155,59)	RS1/16SS332J	
				R 359	(A,150,50)	RS1/8SQ0R0J	
CN4002	(A,30,16) Connector(A)	CKS6603					
CN4004	(B,87,45) FFC/FPC Connector	CKS6605		R 360	(B,154,55)	RS1/8SQ331J	D
JA 1	(A,54,121) Connector	CKM1613		R 401	(A,63,52)	RS1/16SS472J	
JA2201	(A,13,116) Antenna Jack	YKS5041		R 402	(A,61,49)	RS1/16SS102J	
JA3101	(A,29,131) 3.5 DIA Jack	CKN1106		R 403	(B,61,50)	RS1/16SS103J	
				R 405	(A,59,51)	RS1/16SS471J	
JA3151	(A,149,112) RCA Jack	CKB1110					
JA3161	(A,121,111) RCA Jack	CKB1113		R 406	(A,58,53)	RS1/16SS473J	
JA3191	(A,167,98) USB Jack	CKN1097		R 407	(A,58,51)	RS1/16SS471J	
JA4001	(A,52,15) Jack	CKN1101		R 408	(A,57,53)	RS1/16SS473J	
JA4002	(A,15,12) Connector(A)	CKS6495		R 411	(B,53,48)	RS1/16SS472J	
				R 412	(B,52,48)	RS1/16SS472J	
JA4003	(A,41,14) 3.5 DIA Jack	CKS6437					
JA4004	(A,163,33) RCA Jack	CKB1106		R 413	(A,55,51)	RS1/16SS473J	E
VL2201	(A,39,84) Variable Coil	CTC1216		R 414	(A,54,58)	RS1/16SS473J	
				R 415	(A,54,51)	RS1/16SS473J	
				R 417	(A,53,52)	RS1/16SS104J	
				R 418	(B,51,48)	RS1/16SS102J	
RESISTORS							
R 11	(B,75,97)	RS1/16SS103J					
R 12	(B,75,99)	RS1/16SS473J		R 419	(A,49,50)	RS1/16SS0R0J	
R 13	(B,72,99)	RS1/16SS472J		R 420	(B,43,52)	RS1/16SS102J	
R 16	(B,70,93)	RS1/16SS104J		R 421	(A,43,56)	RS1/16SS104J	
R 17	(B,70,94)	RS1/16SS473J		R 422	(A,41,50)	RS1/16SS473J	
				R 423	(A,40,52)	RS1/16SS473J	
R 18	(B,55,107)	RS1/4SA102J					
R 21	(B,57,124)	RS1/16SS103J		R 424	(A,39,52)	RS1/16SS121J	F
R 22	(B,62,126)	RS1/16SS472J		R 425	(A,38,52)	RS1/16SS104J	
R 23	(B,56,122)	RS1/4SA102J		R 426	(A,37,52)	RS1/16SS121J	
R 31	(B,63,122)	RS1/4SA102J		R 430	(A,35,44)	RS1/16SS102J	
				R 431	(A,35,46)	RS1/16SS473J	

	1	2	3	4
	<u>Circuit Symbol and No.</u>	<u>Part No.</u>	<u>Circuit Symbol and No.</u>	<u>Part No.</u>
	R 435 (B,40,41)	RS1/16SS682J	R 620 (A,90,65)	RS1/16SS1R0J
	R 437 (B,38,41)	RS1/16SS0R0J	R 621 (B,83,60)	RS1/16SS1R0J
A	R 439 (A,35,41)	RS1/16SS102J	R 622 (B,84,61)	RS1/16SS0R0J
	R 440 (A,34,41)	RS1/16SS104J	R 623 (B,83,61)	RS1/16SS0R0J
	R 441 (A,35,40)	RS1/16SS0R0J	R 625 (B,81,61)	RS1/16SS473J
	R 445 (A,32,37) (B)	RS1/16SS0R0J	R 627 (B,78,64)	RS1/16SS473J
			R 628 (B,76,62)	RS1/16SS0R0J
	R 447 (A,35,36)	RS1/16SS102J		
	R 453 (A,36,32)	RS1/16SS101J	R 629 (A,78,63)	RS1/16SS105J
	R 457 (A,39,24)	RS1/16SS822J	R 630 (A,80,64)	RS1/16SS102J
	R 458 (A,40,24)	RS1/16SS471J	R 631 (B,72,61)	RS1/16SS102J
	R 460 (A,44,24)	RS1/16SS473J	R 632 (A,73,59)	RS1/16SS0R0J
			R 633 (A,76,60)	RS1/16SS0R0J
	R 463 (B,43,29)	RS1/16SS104J		
	R 464 (B,43,28)	RS1/16SS473J	R 636 (B,72,59)	RS1/16SS104J
B	R 465 (A,47,24)	RS1/16SS473J	R 637 (B,76,60)	RS1/16SS473J
	R 466 (A,36,39)	RS1/16SS222J	R 639 (B,76,58)	RS1/16SS473J
	R 468 (B,50,23)	RS1/16SS473J	R 641 (B,80,59)	RS1/16SS103J
			R 642 (B,80,58)	RS1/16SS103J
	R 471 (A,52,24)	RS1/16SS221J		
	R 472 (A,53,24)	RS1/16SS221J	R 643 (A,72,53)	RS1/16SS4701D
	R 474 (A,55,24)	RS1/16SS221J	R 644 (A,72,54)	RS1/16SS1201D
	R 475 (A,56,24)	RS1/16SS221J	R 645 (A,74,54)	RS1/16SS0R0J
	R 476 (A,57,22)	RS1/16SS221J	R 646 (A,73,52)	RS1/16SS0R0J
			R 647 (A,68,61) (A)	RS1/16SS0R0J
	R 477 (B,57,26)	RS1/16SS104J		
	R 478 (A,57,24)	RS1/16SS221J	R 648 (A,67,61) (A)	RS1/16SS0R0J
	R 479 (A,58,22)	RS1/16SS104J	R 651 (A,72,49)	RS1/16SS0R0J
C	R 488 (A,66,29)	RS1/16SS104J	R 653 (B,69,50)	RS1/16SS101J
	R 493 (B,57,32)	RS1/16SS103J	R 654 (B,70,49)	RS1/16SS101J
			R 660 (B,91,32) (A)	RS1/16SS473J
	R 494 (B,60,32)	RS1/16SS221J		
	R 495 (A,64,33)	RS1/16SS104J	R 685 (A,112,32)	RS1/10SR0R0J
	R 496 (B,57,33)	RS1/16SS103J	R 686 (B,154,91)	RS1/16SS473J
	R 497 (B,60,33)	RS1/16SS221J	R 687 (B,151,93)	RS1/16SS103J
	R 499 (B,57,34)	RS1/16SS104J	R 688 (B,153,93)	RS1/16SS473J
			R 700 (A,97,66) (A)	RS1/16SS473J
	R 500 (B,57,35)	RS1/16SS104J		
	R 501 (A,64,35)	RS1/16SS101J	R 701 (A,76,27)	RS1/16SS560J
	R 502 (A,65,36)	RS1/16SS221J	R 703 (A,78,28)	RS1/16SS473J
	R 503 (A,64,36)	RS1/16SS221J	R 704 (A,79,24)	RS1/16SS390J
D	R 504 (A,65,37)	RS1/16SS221J	R 705 (A,79,23)	RS1/16SS390J
			R 706 (A,80,24)	RS1/16SS390J
	R 505 (B,60,38)	RS1/16SS104J		
	R 506 (B,53,30)	RS1/16SS0R0J	R 707 (A,81,23)	RS1/16SS390J
	R 508 (B,59,46)	RS1/16SS103J	R 708 (A,81,24)	RS1/16SS390J
	R 509 (A,63,40) (B)	RS1/16SS0R0J	R 709 (A,82,23)	RS1/16SS390J
	R 510 (A,61,26)	RS1/16SS473J	R 710 (A,82,24)	RS1/16SS390J
	R 511 (A,64,44)	RS1/16SS471J	R 711 (A,83,23)	RS1/16SS390J
	R 512 (A,65,42)	RS1/16SS472J	R 712 (A,84,24)	RS1/16SS390J
	R 513 (A,63,45)	RS1/16SS471J	R 713 (A,84,23)	RS1/16SS390J
	R 514 (A,65,41)	RS1/16SS472J	R 714 (A,85,24)	RS1/16SS390J
	R 515 (A,64,46)	RS1/16SS221J	R 715 (A,85,23)	RS1/16SS390J
E	R 518 (A,37,47)	RS1/16SS0R0J	R 716 (A,86,24)	RS1/16SS390J
	R 526 (B,60,52)	RS1/16SS102J	R 717 (A,87,23)	RS1/16SS390J
	R 602 (A,112,27)	RS1/10SR0R0J	R 718 (A,87,24)	RS1/16SS390J
	R 603 (A,106,61)	RS1/16SS473J	R 719 (A,88,23)	RS1/16SS390J
	R 605 (A,108,61)	RS1/16SS473J	R 720 (A,88,24)	RS1/16SS390J
	R 606 (A,105,64) (A)	RS1/16SS0R0J	R 721 (A,89,23)	RS1/16SS390J
	R 607 (A,104,64) (A)	RS1/16SS0R0J	R 726 (B,92,30)	RS1/16SS101J
	R 608 (A,104,65) (A)	RS1/16SS0R0J	R 727 (B,94,31)	RS1/16SS0R0J
	R 609 (A,103,64) (A)	RS1/16SS0R0J	R 730 (A,91,25)	RS1/16SS151J
	R 610 (A,102,65) (A)	RS1/16SS473J	R 736 (A,107,31)	RS1/16SS472J
F	R 614 (A,98,64) (A)	RS1/16SS0R0J	R 739 (A,112,34)	RS1/16SS330J
	R 615 (A,97,64) (A)	RS1/16SS0R0J	R 792 (A,111,35) (A)	RS1/16SS150J
	R 616 (A,96,64)	RS1/16SS473J	(A,111,35) (B)	RS1/16SS330J
	R 619 (B,84,60)	RS1/16SS0R0J	R 793 (A,107,32)	RS1/16SS472J

5		6		7		8	
<u>Circuit Symbol and No.</u>		<u>Part No.</u>		<u>Circuit Symbol and No.</u>		<u>Part No.</u>	
R 794	(A,109,32)	RS1/16SS472J		R 922	(B,113,47)	RS1/16SS271J	
R 795	(B,104,38)	RS1/16SS472J		R 923	(B,112,48)	RS1/16SS271J	
R 797	(B,105,40)	RS1/16SS472J		R 924	(B,110,47)	RS1/16SS181J	
R 798	(B,105,41)	RS1/16SS472J		R 925	(B,111,48)	RS1/16SS103J	A
R 803	(A,116,45)	RS1/16SS103J		R 926	(B,112,46)	RS1/16SS103J	
R 805	(A,112,44)	RS1/16SS473J		R 930	(B,106,47)	RS1/10SR0R0J	
R 806	(A,113,47)	RS1/16SS473J		R 931	(B,104,53)	RS1/16SS6801D	
R 813	(A,109,57)	RS1/16SS472J		R 932	(B,111,61)	RS1/16SS104J	
R 814	(A,109,58)	RS1/16SS0R0J		R 933	(B,112,61)	RS1/16SS104J	
R 815	(A,112,58)	RS1/16SS473J		R 934	(B,104,45)	RS1/16SS0R0J	
R 816	(A,111,58)	RS1/16SS0R0J		R 935	(B,92,78)	RS1/16SS0R0J	
R 821	(B,81,64)	RS1/16SS103J		R 938	(B,93,69)	RS1/16SS0R0J	
R 822	(B,77,66)	RS1/16SS0R0J		R 941	(B,92,65)	RS1/16SS471J	
R 823	(B,75,66)	RS1/16SS104J		R 944	(B,89,67)	RS1/16SS471J	B
R 824	(B,76,66)	RS1/16SS153J		R 947	(B,82,69)	RS1/16SS471J	
R 825	(B,79,68)	RS1/16SS471J		R 948	(B,90,72)	RS1/16SS104J	
R 827	(A,112,48)	RS1/16SS0R0J		R 949	(B,94,76)	RS1/16SS104J	
R 828	(A,110,48)	RS1/16SS0R0J		R 950	(B,90,65)	RS1/16SS0R0J	
R 841	(A,111,82)	RAB4CQ103J		R 951	(B,86,67)	RS1/16SS0R0J	
R 851	(B,95,15)	RAB4CQ101J		R 952	(B,84,66)	RS1/16SS0R0J	
R 852	(B,95,18)	RAB4CQ101J		R 953	(B,99,78)	RS1/16SS104J	
R 853	(B,105,34)	RAB4CQ181J		R 960	(B,117,65)	RS1/16SS0R0J	
R 854	(B,102,34)	RAB4CQ181J		R 970	(B,114,44)	RS1/16SS222J	
R 855	(B,100,34)	RAB4CQ181J		R 971	(B,113,44)	RS1/16SS222J	
R 856	(B,113,14)	RAB4CQ101J		R 1113	(B,139,39)	RS1/16SS75R0D	C
R 857	(B,113,19)	RAB4CQ101J		R 1114	(B,137,40)	RS1/16SS104J	
R 858	(B,112,22)	RS1/16SS121J		R 1115	(B,135,39)	RS1/16SS75R0D	
R 859	(B,113,28)	RS1/16SS181J		R 1116	(B,133,41)	RS1/16SS2200D	
R 860	(B,112,28)	RS1/16SS181J		R 1117	(B,126,46)	RS1/16SS0R0J	
R 861	(B,97,23)	RS1/16SS101J		R 1118	(B,131,46)	RS1/16SS75R0D	
R 862	(B,114,34)	RAB4CQ181J		R 1119	(B,136,40)	RS1/16SS101J	
R 863	(B,111,34)	RAB4CQ181J		R 1120	(B,135,40)	RS1/16SS101J	
R 872	(B,76,49)	RS1/16SS0R0J		R 1122	(B,140,40)	RS1/16SS101J	
R 873	(B,77,49)	RS1/16SS0R0J		R 1123	(B,139,40)	RS1/16SS101J	
R 877	(B,83,53)	RS1/16SS101J		R 1124	(B,142,40)	RS1/16SS101J	
R 878	(B,83,55)	RS1/16SS101J		R 1125	(B,141,40)	RS1/16SS101J	D
R 882	(B,84,37)	RS1/16SS101J		R 1131	(B,146,57)	RS1/16SS101J	
R 883	(B,80,34)	RS1/16SS0R0J		R 1132	(B,144,57)	RS1/16SS101J	
R 884	(B,75,34)	RS1/16SS101J		R 1133	(B,143,57)	RS1/16SS101J	
R 885	(B,74,34)	RS1/16SS101J		R 1134	(B,134,60)	RS1/16SS101J	
R 886	(B,82,47)	RS1/16SS271J		R 1135	(B,133,60)	RS1/16SS101J	
R 887	(B,84,45)	RS1/16SS101J		R 1136	(B,132,60)	RS1/16SS101J	
R 888	(B,75,47)	RS1/16SS101J		R 1142	(B,134,39)	RS1/10SR0R0J	
R 892	(A,128,52)	RS1/16SS473J		R 1143	(B,131,45)	RS1/16SS470J	
R 893	(A,124,52)	RS1/16SS183J		R 1148	(B,141,44)	RS1/16SS0R0J	
R 895	(A,127,54)	RS1/16SS222J		R 1149	(B,143,47)	RS1/16SS0R0J	
R 896	(A,121,55)	RS1/16SS222J		R 1214	(B,135,96)	RS1/16SS0R0J	E
R 897	(A,114,56)	RS1/16SS220J		R 1228	(B,140,69)	RS1/16SS0R0J	
R 898	(A,120,53)	RS1/16SS222J		R 1232	(B,134,96)	RS1/16SS0R0J	
R 902	(B,106,64)	RS1/16SS820J		R 1236	(A,127,84)	RS1/10SR0R0J	
R 904	(B,114,61)	RS1/16SS103J		R 1271	(B,124,83)	RS1/16SS103J	
R 906	(A,115,53)	RS1/16SS561J		R 1272	(B,119,80)	RS1/16SS684J	
R 908	(A,111,53)	RS1/16SS561J		R 1286	(B,119,82)	RS1/16SS100J	
R 910	(A,115,52)	RS1/16SS561J		R 1287	(B,119,85)	RS1/16SS102J	
R 912	(A,111,52)	RS1/16SS561J		R 1301	(A,96,110)	RS1/16SS683J	
R 914	(A,115,51)	RS1/16SS561J		R 1302	(A,98,110)	RS1/16SS683J	
R 916	(A,111,51)	RS1/16SS561J		R 1303	(A,97,112)	RS1/16SS152J	F
R 918	(A,115,50)	RS1/16SS561J		R 1304	(A,97,113)	RS1/16SS101J	
R 920	(A,112,50)	RS1/16SS561J		R 1306	(A,74,111)	RS1/16SS103J	
R 921	(B,113,48)	RS1/16SS103J		R 1308	(A,92,101)	RS1/16SS103J	

	1	2	3	4
	<u>Circuit Symbol and No.</u>	<u>Part No.</u>	<u>Circuit Symbol and No.</u>	<u>Part No.</u>
	R 1309 (A,87,106)	RS1/16SS104J	R 2230 (A,30,74) (A)	RS1/16SS0R0J
	R 1310 (A,86,107)	RS1/16SS473J	R 2231 (A,30,71) (A)	RS1/16SS0R0J
	R 1314 (A,81,110)	RS1/16SS473J	R 2232 (A,28,73) (A)	RS1/16SS0R0J
A	R 1315 (A,81,112)	RS1/16SS102J	R 2233 (A,28,72) (A)	RS1/16SS0R0J
	R 1316 (A,76,111)	RS1/16SS0R0J	R 2234 (A,28,64) (A)	RS1/16SS0R0J
	R 2004 (B,32,36)	RS1/16SS102J	R 2235 (A,29,64) (A)	RS1/16SS0R0J
	R 2007 (B,33,56) (B)	RS1/16SS102J	R 2236 (A,29,70) (A)	RS1/16SS0R0J
	R 2008 (B,32,55)	RS1/16SS102J	R 2237 (A,35,70) (A)	RS1/16SS0R0J
			R 2242 (A,47,74)	RS1/16SS0R0J
	R 2009 (B,34,41)	RS1/16SS102J	R 2243 (A,40,79)	RS1/16SS0R0J
	R 2015 (A,69,85) (A)	RS1/4SA0R0J		
	R 2016 (A,32,100) (B)	RS1/16SS911J	R 2244 (A,39,79)	RS1/16SS0R0J
	R 2017 (B,26,98) (B)	RS1/16SS103J	R 2245 (A,29,68) (A)	RS1/16SS0R0J
	R 2018 (B,32,89) (B)	RS1/4SA471J	R 2246 (A,81,65)	RS1/10SR0R0J
			R 2247 (B,81,7)	RS1/10SR0R0J
B	R 2019 (B,30,89) (B)	RS1/4SA471J	R 2401 (B,165,91)	RS1/16SS752J
	R 2020 (B,25,91) (B)	RS1/16SS1003D		
	R 2021 (B,25,89) (B)	RS1/16SS1802D	R 2402 (B,158,96)	RS1/16SS102J
	R 2110 (A,22,16)	RS1/16SS0R0J	R 2403 (B,159,96)	RS1/16SS102J
	R 2111 (A,21,16)	RS1/16SS0R0J	R 2404 (B,156,96)	RS1/16SS102J
			R 2405 (B,163,80)	RS1/16SS224J
	R 2112 (A,18,16)	RS1/16SS0R0J	R 2406 (B,160,80)	RS1/16SS1202D
	R 2128 (A,28,45) (A)	RS1/16SS103J		
	R 2130 (B,24,71) (B)	RS1/16SS221J	R 2407 (B,162,93)	RS1/16SS152J
	R 2131 (B,23,71) (B)	RS1/16SS221J	R 2408 (B,161,93)	RS1/16SS3302D
	R 2132 (B,22,71) (B)	RS1/16SS221J	R 2409 (B,165,92)	RS1/16SS8201D
			R 2410 (B,157,96)	RS1/16SS102J
	R 2133 (B,21,71) (B)	RS1/16SS0R0J	R 2413 (B,167,87)	RS1/16SS394J
C	R 2134 (A,23,52) (A)	RS1/16SS221J		
	R 2135 (A,23,51) (A)	RS1/16SS221J	R 2414 (B,166,87)	RS1/16SS204J
	R 2136 (A,23,50) (A)	RS1/16SS221J	R 2416 (B,160,81)	RS1/16SS0R0J
	R 2137 (A,22,49) (A)	RS1/16SS221J	R 2420 (B,167,86)	RS1/16SS104J
	R 2138 (A,26,41) (A)	RS1/16SS0R0J	R 2421 (A,170,84) 0.039 ohm	CCN1325
			R 2505 (A,157,14)	RS1/16SS471J
	R 2139 (A,26,42) (A)	RS1/16SS0R0J		
	R 2140 (A,26,43) (A)	RS1/16SS0R0J	R 2506 (A,156,12)	RS1/16SS221J
	R 2141 (A,26,44) (A)	RS1/16SS0R0J	R 2507 (A,155,12)	RS1/16SS221J
	R 2142 (A,22,39) (A)	RS1/16SS0R0J	R 2508 (A,154,16)	RS1/16SS221J
	R 2143 (A,23,38) (A)	RS1/16SS0R0J	R 2509 (A,153,15)	RS1/16SS221J
			R 2510 (A,152,12)	RS1/16SS221J
	R 2144 (A,22,37) (A)	RS1/16SS0R0J		
D	R 2145 (A,22,36) (A)	RS1/16SS0R0J	R 2511 (A,144,30)	RS1/10SR121J
	R 2204 (A,45,72)	RS1/16SS103J	R 2516 (B,147,15)	RS1/10SR0R0J
	R 2206 (A,44,72)	RS1/16SS103J	R 2901 (A,63,16)	RS1/16SS102J
	R 2207 (A,44,68)	RS1/16SS472J	R 2906 (A,69,16)	RS1/16SS101J
			R 2908 (B,47,11)	RS1/16SS102J
	R 2208 (A,43,66)	RS1/16SS472J		
	R 2209 (A,43,70)	RS1/16SS101J	R 2912 (A,55,15)	RS1/16SS271J
	R 2210 (A,42,70)	RS1/16SS101J	R 2913 (A,55,16)	RS1/16SS271J
	R 2212 (A,30,83)	RS1/16SS391J	R 2915 (A,55,17)	RS1/16SS271J
	R 2213 (B,22,102)	RS1/16SS105J	R 2917 (A,49,16)	RS1/16SS0R0J
			R 2918 (A,46,16)	RS1/16SS222J
	R 2214 (A,29,89)	RS1/16SS105J		
E	R 2215 (A,38,67)	RS1/16SS0R0J	R 2919 (A,48,18)	RS1/16SS0R0J
	R 2216 (A,38,69) (A)	RS1/16SS0R0J	R 2920 (A,44,16)	RS1/16SS102J
			R 2921 (A,43,16)	RS1/16SS102J
			R 3058 (B,80,87)	RS1/16SS562J
	R 2217 (A,37,69)	RS1/16SS0R0J	R 3059 (B,78,87)	RS1/16SS332J
	R 2218 (A,36,71)	RS1/16SS0R0J		
	R 2220 (A,26,70) (A)	RS1/16SS182J	R 3060 (B,78,83)	RS1/16SS103J
	R 2221 (A,28,68) (A)	RS1/16SS332J	R 3061 (B,76,83)	RS1/16SS103J
	R 2222 (A,25,62) (A)	RS1/16SS121J	R 3062 (B,80,85)	RS1/10SR222J
	R 2223 (A,28,66) (A)	RS1/16SS102J	R 3118 (A,30,111)	RS1/16SS223J
	R 2224 (A,33,73) (A)	RS1/16SS0R0J	R 3119 (A,31,111)	RS1/16SS223J
	R 2225 (A,33,71) (A)	RS1/16SS0R0J	R 3126 (A,30,110)	RS1/16SS103J
F	R 2226 (A,35,68) (A)	RS1/16SS182J	R 3127 (A,32,106)	RS1/16SS122J
	R 2227 (A,30,67) (A)	RS1/16SS332J	R 3128 (A,28,108)	RS1/16SS152J
	R 2228 (A,35,65) (A)	RS1/16SS121J	R 3129 (A,23,110)	RS1/16SS0R0J
	R 2229 (A,29,66) (A)	RS1/16SS102J	R 3152 (A,148,107)	RS1/16SS223J

	1	2	3	4
	<u>Circuit Symbol and No.</u>	<u>Part No.</u>	<u>Circuit Symbol and No.</u>	<u>Part No.</u>
	C 334 (B,159,49) 10 uF	CCG1236		
	C 351 (A,159,51)	CEVW470M16	C 631 (B,81,31)	CKSRYB104K16
	C 352 (A,153,52)	CKSSYB103K16	C 632 (B,84,31)	CKSSYB104K10
A	C 353 (A,153,53) 10 uF	CCG1192	C 633 (B,86,31)	CKSRYB104K16
	C 356 (B,154,59)	CKSSYB682K25	C 634 (B,89,31)	CKSRYB104K16
			C 635 (A,93,29)	CKSRYB104K16
	C 357 (B,158,60)	CKSSYB103K16		
	C 358 (B,160,69) 10 uF	CCG1236	C 636 (A,98,27)	CKSSYB104K10
	C 359 (B,156,70)	CKSRYB103K50	C 637 (A,98,29)	CKSRYB104K16
	C 401 (A,52,53)	CCSSCH100D50	C 638 (A,101,29)	CKSRYB104K16
	C 402 (A,47,50)	CCSSCH120J50	C 639 (A,108,34)	CKSRYB104K16
			C 641 (A,108,37)	CKSRYB104K16
	C 403 (A,45,53)	CKSRYB105K10		
	C 404 (A,45,52)	CKSSYB104K10	C 642 (A,109,40)	CKSRYB104K16
	C 405 (A,42,53)	CKSRYB105K10	C 643 (A,108,41)	CKSSYB104K10
	C 406 (A,43,52)	CKSSYB104K10	C 644 (A,108,42)	CKSRYB104K16
B	C 407 (A,44,50)	CKSSYB102K50	C 645 (A,108,45)	CKSRYB104K16
			C 646 (A,109,49)	CKSSYB104K10
	C 408 (A,35,45)	CKSSYB104K10		
	C 409 (A,37,29)	CKSSYB104K10	C 647 (A,108,50)	CKSSYB104K10
	C 410 (A,35,29)	CKSRYB105K10	C 648 (A,107,53)	CKSSYB104K10
	C 414 (A,50,25)	CKSSYB104K10	C 649 (A,107,59)	CKSSYB104K10
	C 415 (A,49,23)	CKSRYB105K10	C 651 (B,87,34) 0.1 uF	CCG1321
			C 652 (B,92,32)	CCSSCH330J50
	C 419 (A,63,50) 0.1 uF	CCG1321		
	C 420 (A,65,51)	CKSSYB103K16	C 653 (A,75,26)	CCSSCH330J50
	C 421 (A,64,51)	CCSSCH102J50	C 654 (B,151,95)	CKSRYB105K10
	C 422 (A,62,43)	CKSSYB104K10	C 655 (B,151,88)	CKSSYB104K10
	C 423 (A,63,42)	CKSRYB105K10	C 656 (A,108,25)	CCSRCH102J50
C			C 657 (A,108,28) 0.1 uF	CCG1321
	C 424 (B,58,42)	CKSSYB104K10		
	C 425 (A,62,48)	CKSSYB104K10	C 658 (A,109,28)	CCSRCH102J50
	C 427 (A,62,53)	CKSSYB104K10	C 661 (A,111,30) 10 uF	DCH1201
	C 429 (A,65,43)	CKSSYB104K10	C 664 (A,111,25) 10 uF	DCH1201
	C 430 (A,65,45)	CKSSYB104K10	C 668 (B,84,17)	CCSSCH560J50
	C 431 (A,65,40) (B)	CKSSYB104K10	C 669 (B,82,17)	CCSSCH560J50
	C 432 (A,63,39)	CKSSYB104K10	C 670 (B,82,21)	CCSSCH560J50
	C 433 (B,58,41)	CKSSYB104K10	C 671 (B,81,21)	CCSSCH560J50
	C 436 (A,62,37)	CCSSCH471J50	C 672 (B,80,18)	CCSSCH560J50
	C 601 (A,102,63)	CKSSYB104K10	C 673 (B,79,18)	CCSSCH560J50
	C 602 (A,101,64)	CKSRYB104K16	C 674 (B,89,22)	CCSSCH560J50
D				
	C 603 (A,97,62)	CKSSYB104K10	C 675 (B,89,17)	CCSSCH560J50
	C 604 (A,96,63)	CKSSYB104K10	C 676 (B,85,22)	CCSSCH560J50
	C 605 (A,93,62)	CKSSYB104K10	C 677 (B,84,22)	CCSSCH560J50
	C 606 (A,91,65)	CKSSYB104K10	C 678 (B,86,16)	CCSSCH560J50
	C 607 (A,90,67)	CKSRYB105K10	C 679 (B,85,16)	CCSSCH560J50
	C 608 (B,84,58)	CKSSYB104K10	C 680 (B,90,24)	CCSSCH560J50
	C 609 (B,82,58)	CKSRYB105K10	C 681 (B,89,23)	CCSSCH560J50
	C 610 (B,83,64)	CKSSYB104K10	C 682 (B,91,18)	CCSSCH560J50
	C 611 (B,82,64)	CKSSYB104K10	C 683 (B,91,23)	CCSSCH560J50
	C 612 (B,78,63)	CKSSYB104K10	C 684 (B,90,17)	CCSSCH560J50
E				
	C 613 (A,80,66)	CCSSCH120J50	C 685 (B,87,22)	CCSSCH560J50
	C 614 (A,74,64)	CCSSCH100D50	C 700 (A,109,33)	CCSSCH8R0D50
	C 616 (B,72,60)	CKSSYB104K10	C 821 (B,75,65) 10 uF	CCG1192
	C 617 (A,74,60)	CKSSYB104K10	C 823 (A,84,65)	CKSRYB105K10
	C 618 (B,79,58)	CKSSYB104K10	C 824 (A,83,68)	CKSRYB105K10
	C 619 (B,77,56) 1 uF	DCH1246	C 851 (B,96,11)	CKSSYB104K10
	C 620 (A,75,53) 1 uF	DCH1246	C 852 (B,96,13)	CKSSYB104K10
	C 621 (A,74,52)	CKSSYB104K10	C 853 (B,95,21)	CKSSYB104K10
	C 622 (A,75,51)	CKSSYB104K10	C 854 (B,97,20)	CKSSYB104K10
	C 624 (A,73,48)	CKSSYB104K10	C 855 (B,97,31)	CKSSYB104K10
F				
	C 625 (A,75,47)	CKSSYB104K10	C 856 (B,111,20)	CKSSYB104K10
	C 626 (A,74,42)	CKSSYB104K10	C 857 (B,111,15)	CKSSYB104K10
	C 627 (A,75,42)	CKSSYB104K10	C 858 (B,113,23)	CCSSCH8R0D50
	C 628 (A,75,36)	CKSSYB104K10	C 871 (B,83,50)	CKSSYB104K10
	C 629 (A,74,35)	CKSSYB104K10	C 882 (B,84,40)	CKSSYB104K10

5		6		7		8	
<u>Circuit Symbol and No.</u>		<u>Part No.</u>		<u>Circuit Symbol and No.</u>		<u>Part No.</u>	
C 891	(A,121,50)	CKSSYB104K10		C 1210	(B,133,92)	CKSRYB105K10	
C 892	(A,122,52)	CKSSYB104K10		C 1211	(B,134,92)	CKSRYB105K10	
C 893	(A,121,53)	CKSSYB103K16		C 1212	(B,135,89)	CKSRYB105K10	
C 901	(B,109,61)	CCSSCH560J50		C 1213	(B,136,89)	CKSRYB105K10	A
C 902	(B,116,61) 10 uF	CCG1192		C 1214	(B,137,92)	CKSRYB105K10	
C 903	(B,115,55)	CKSSYB104K10		C 1215	(B,138,92)	CKSRYB105K10	
C 904	(B,108,49)	CKSSYB103K16		C 1216	(B,138,89)	CKSRYB105K10	
C 905	(B,104,51)	CKSSYB103K16		C 1217	(B,140,89)	CKSRYB105K10	
C 906	(B,104,49) 10 uF	CCG1192		C 1218	(B,140,92)	CKSRYB105K10	
C 907	(B,106,50)	CKSSYB103K16		C 1219	(B,141,92)	CKSRYB105K10	
C 908	(B,105,44) 10 uF	CCG1192		C 1220	(B,142,89)	CKSRYB105K10	
C 909	(B,104,55)	CKSSYB103K16		C 1221	(B,144,88) (A)	CKSRYB105K10	
C 910	(B,111,62)	CKSSYB104K10		C 1222	(B,145,85) (A)	CKSRYB105K10	
C 912	(B,109,60)	CKSSYB104K10		C 1223	(A,143,77)	CEVW470M16	B
C 931	(B,95,79) 10 uF	CCG1192		C 1224	(A,133,76) 10 uF	CCG1332	
C 932	(B,104,67) 10 uF	CCG1192		C 1225	(A,130,69)	CKSSYB104K10	
C 933	(B,90,74) 10 uF	CCG1192		C 1226	(A,134,67)	CEVW470M16	
C 934	(B,93,71) 10 uF	CCG1192		C 1228	(B,139,72)	CKSSYB104K10	
C 935	(B,95,77) 10 uF	CCG1192		C 1229	(B,135,72)	CKSRYB104K10	
C 936	(B,101,77) 10 uF	CCG1192		C 1231	(A,129,82)	CCSSCH151J50	
C 937	(B,100,66)	CKSSYB103K16		C 1232	(A,129,83)	CKSSYB102K50	
C 938	(A,88,64)	CKSRYB105K10		C 1234	(A,142,83)	CCSSCH151J50	
C 939	(A,88,68)	CKSRYB105K10		C 1237	(B,126,78) 0.1 uF	CCG1311	
C 940	(A,87,64)	CKSRYB105K10		C 1238	(B,147,79) 0.1 uF	CCG1311	
C 941	(A,86,68)	CKSRYB105K10		C 1239	(A,142,94)	CKSSYB102K50	C
C 942	(A,85,64)	CKSRYB105K10		C 1271	(B,104,84) 1 uF	CCG1255	
C 943	(A,85,68)	CKSRYB105K10		C 1272	(B,118,89) 1 uF	CCG1325	
C 944	(A,118,65)	CEVW470M16		C 1273	(B,120,89) 1 uF	CCG1325	
C 1101	(B,144,50)	CKSRYB105K10		C 1274	(B,122,89) 1 uF	CCG1325	
C 1102	(B,144,49)	CKSSYB104K10		C 1275	(B,124,89) 1 uF	CCG1325	
C 1106	(B,142,42)	CKSSYB104K10		C 1276	(B,125,89) 1 uF	CCG1325	
C 1108	(B,141,42)	CKSSYB104K10		C 1277	(B,118,75) 1 uF	CCG1255	
C 1110	(B,140,42)	CKSSYB104K10		C 1278	(B,120,80) 1 uF	CCG1255	
C 1112	(B,139,42)	CKSSYB104K10		C 1279	(B,122,80) 1 uF	CCG1255	
C 1114	(B,138,42)	CKSSYB104K10		C 1280	(B,106,80) 1 uF	CCG1255	
C 1115	(B,134,58)	CKSRYB105K10		C 1282	(B,102,84) 1 uF	CCG1255	D
C 1116	(B,137,42)	CKSSYB104K10		C 1283	(B,127,89) 1 uF	CCG1325	
C 1117	(B,133,58)	CKSRYB105K10		C 1301	(A,100,112) 4.7 uF	CCG1201	
C 1118	(B,136,42)	CKSSYB104K10		C 1302	(B,91,107)	CKSRYB103K50	
C 1119	(B,132,58)	CKSRYB105K10		C 1303	(B,85,107)	CKSRYB103K50	
C 1120	(B,135,42)	CKSSYB104K10		C 1304	(B,93,108)	CKSRYB474K16	
C 1122	(B,134,42)	CKSSYB104K10		C 1305	(B,83,108)	CKSRYB474K16	
C 1124	(B,133,42)	CKSSYB104K10		C 1306	(A,93,111)	CKSQYB225K16	
C 1126	(B,132,42)	CKSSYB104K10		C 1307	(A,87,111) 4.7 uF	CCG1291	
C 1127	(B,127,48) 10 uF	CCG1192		C 1308	(A,82,109)	CKSRYB104K50	
C 1128	(B,131,47)	CKSSYB104K10		C 1313	(A,82,97) 4 700 uF/16 V	CCH2085	E
C 1129	(B,131,48)	CKSSYB104K10		C 1315	(A,85,112) 0.1 uF	CCG1311	
C 1132	(B,130,53) 10 uF	CCG1192		C 1316	(A,84,108) 10 uF	CCG1192	
C 1133	(B,129,49) 10 uF	CCG1192		C 1318	(B,89,107)	CKSQYB474K25	
C 1135	(B,130,45)	CCSSCH181J50		C 1319	(B,87,107)	CKSQYB474K25	
C 1136	(B,143,54)	CKSRYB105K10		C 1320	(A,89,111) 4.7 uF	CCG1291	
C 1137	(B,144,54)	CKSRYB105K10		C 2002	(B,27,34)	CKSRYB105K10	
C 1138	(B,145,54)	CKSRYB105K10		C 2003	(B,28,54)	CKSRYB105K10	
C 1201	(B,130,85) (A)	CKSRYB105K10		C 2004	(B,27,26)	CKSRYB105K10	
C 1202	(A,135,88)	CEVW470M16		C 2005	(B,28,47)	CKSRYB105K10	
C 1203	(A,131,83)	CKSSYB104K10		C 2006	(B,33,57) (B)	CKSRYB105K10	F
C 1206	(A,125,77)	CEVW470M16		C 2008	(B,33,65) (B)	CKSRYB105K10	
C 1207	(B,132,86) (A)	CKSRYB105K10		C 2010	(A,34,57)	CKSRYB105K10	
C 1208	(B,131,89)	CKSRYB105K10		C 2011	(A,42,59)	CKSRYB105K10	
C 1209	(B,133,89)	CKSRYB105K10		C 2014	(B,32,50)	CKSSYB104K10	

	1	2	3	4
	<u>Circuit Symbol and No.</u>	<u>Part No.</u>	<u>Circuit Symbol and No.</u>	<u>Part No.</u>
A	C 2015 (A,34,100) (B)	CKSSYB104K16	C 3156 (B,144,97)	CCSSCH271J50
	C 2016 (B,26,90) (B)	CKSRYB104K50	C 3157 (B,145,92)	CKSRYB102K50
	C 2017 (A,34,60)	CKSSYB104K10	C 3161 (A,144,105) (A)	CCSSCH270J50
	C 2018 (B,30,26)	CKSSYB104K10	C 3162 (A,142,105) (A)	CCSSCH270J50
	C 2019 (B,37,60) (B)	CKSSYB104K10	C 3163 (A,135,104) (A)	CCSSCH270J50
B	C 2105 (B,25,57) 10 uF	DCH1201	C 3164 (A,133,104) (A)	CCSSCH270J50
	C 2107 (B,26,38) 10 uF	DCH1201	C 3165 (A,125,104) (A)	CCSSCH270J50
	C 2111 (A,12,48)	CKSSYB104K10	C 3166 (A,124,104) (A)	CCSSCH270J50
	C 2202 (A,50,61)	CKSSYB104K10	C 3167 (A,147,103) 4.7 uF	CCG1201
	C 2203 (A,50,65)	CKSSYB104K10	C 3168 (A,139,103) 4.7 uF	CCG1201
C	C 2204 (A,51,64) 10 uF	DCH1201	C 3169 (A,137,103) 4.7 uF	CCG1201
	C 2205 (A,40,65) 10 uF	DCH1201	C 3170 (A,130,103) 4.7 uF	CCG1201
	C 2206 (A,43,77)	CKSSYB104K10	C 3171 (A,128,103) 4.7 uF	CCG1201
	C 2208 (A,41,78)	CKSSYB224K6R3	C 3172 (A,121,103) 4.7 uF	CCG1201
	C 2209 (A,41,79)	CKSSYB102K50	C 3191 (B,160,98) 10 uF	DCH1201
D	C 2210 (A,37,77)	CKSSYB104K10	C 3192 (B,154,97)	CKSSYB104K10
	C 2212 (A,36,90)	CCSSCH220J50	C 3221 (B,75,72)	CKSSYB104K10
	C 2213 (A,36,89)	CCSSCH271J50	C 3222 (B,77,72)	CKSSYB104K10
	C 2216 (A,40,70)	CKSSYB104K10	C 3231 (B,80,72)	CKSSYB104K10
	C 2219 (A,32,80)	CCSSCH102J50	C 3232 (B,113,73) 10 uF	CCG1192
E	C 2220 (A,33,92)	CCSSCH471J50	C 3233 (B,88,76)	CKSSYB104K10
	C 2224 (A,35,75)	CKSSYB152K50	C 3234 (B,113,71)	CKSSYB104K10
	C 2234 (A,34,93)	CCSSCH100D50	C 3235 (B,99,79)	CKSSYB104K10
	C 2238 (A,51,78)	CKSRYB102K50	C 3236 (B,86,72)	CKSRYB105K10
	C 2401 (B,166,90)	CKSSYB222K50	C 3237 (B,86,74)	CKSRYB105K10
F	C 2402 (B,165,90)	CCSSCH270J50	C 3238 (B,92,81)	CKSRYB105K10
	C 2403 (B,157,81)	CKSSYB104K16	C 3239 (B,89,81)	CKSRYB105K10
	C 2404 (A,159,92)	CEVW470M16	C 3240 (B,110,72)	CKSRYB105K10
	C 2405 (A,167,92)	CEVW101M16	C 3241 (B,108,68)	CKSRYB105K10
	C 2406 (B,166,88)	CKSRYB105K10	C 3242 (B,95,82)	CKSRYB105K10
G	C 2407 (B,162,80)	CKSSYB102K50	C 3243 (B,95,81)	CKSRYB105K10
	C 2408 (B,164,80)	CKSSYB472K25	C 4001 (B,28,34) (A)	CKSSYB104K10
	C 2409 (B,159,80)	CKSSYB104K16	C 4002 (B,22,36) (A)	CKSSYB104K10
	C 2410 (B,163,92)	CCSSCH681J50	C 4010 (B,62,14)	CKSSYB102K50
	C 2412 (B,160,92) 0.1 uF	CCG1286	C 4011 (B,61,12)	CKSSYB102K50
H	C 2414 (A,170,87)	CKSSYB104K10	C 4013 (A,9,27) (A)	CKSRYB104K50
	C 2415 (A,166,84) 22 uF	CCG1254	C 4014 (B,143,40)	CKSSYB102K50
	C 2504 (B,163,13)	CKSSYB104K16	C 4015 (B,150,20)	CKSSYB102K50
	C 2506 (B,154,9)	CCSSCH221J50	C 4016 (B,151,20)	CKSSYB102K50
	C 2509 (A,141,25)	CKSSYB104K10	C 4017 (B,144,20)	CCSSCH180J50
I	C 2512 (A,143,32)	CCSSCH390J50	C 4018 (B,142,20)	CCSSCH180J50
	C 2513 (A,166,15) 10 uF	DCH1201	C 4019 (B,73,27)	CKSSYB102K50
	C 2514 (A,167,15) 10 uF	DCH1201	C 4020 (B,73,30)	CKSSYB102K50
	C 2902 (B,46,9) 4.7 uF	CCG1201	C 4023 (B,144,27)	CKSSYB102K50
	C 2904 (B,49,13) 4.7 uF	CCG1201	C 4024 (B,66,36) (A)	CKSSYB104K10
J	C 2905 (B,46,7)	CKSSYB104K10	C 4026 (B,56,34) (A)	CKSSYB104K10
	C 2906 (B,45,13)	CKSSYB104K10	C 4039 (B,157,44)	CKSSYB221K50
	C 2907 (A,31,20)	CEVW221M16	C 4040 (B,158,45)	CKSSYB102K50
	C 2909 (A,47,16)	CKSRYB105K10	C 4041 (A,126,30)	CCSRCH102J50
	C 3006 (A,94,9) 10 uF	CCG1192		
K	C 3007 (A,85,10)	CEVW101M16		
	C 3125 (A,32,108)	CKSSYB471K50		
	C 3126 (A,52,62)	CCSSCH102J50		
	C 3127 (B,25,129)	CKSRYB102K50		
	C 3128 (B,32,129)	CKSRYB102K50		
L	C 3129 (B,34,129)	CKSRYB102K50		
	C 3130 (B,26,129)	CCSSCH101J50		
	C 3151 (A,161,105)	CKSRYB104K50		
	C 3152 (A,151,105)	CKSRYB104K50		
	C 3154 (A,137,107)	CKSRYB104K50		

B
Unit Number : CXX7273(A)
Unit Number : CXX7274(B)
Unit Name : Service Unit(Monitor)

MISCELLANEOUS

IC 5001 (A,115,22) Interface IC	AK4187VN
IC 5101 (A,108,53) Interface IC	OZ5271LN

	1	2
	<u>Circuit Symbol and No.</u>	<u>Part No.</u>
	C 5004 (B,116,16)	CKSSYB103K16
	C 5005 (A,114,18) 10 uF	CCG1244
A	C 5006 (A,110,27) 10 uF	CCG1244
	C 5007 (A,112,22)	CKSSYB104K10
	C 5008 (A,115,19)	CKSSYB104K10
	C 5015 (A,78,6)	CKSSYB104K10
	C 5016 (A,78,9)	CKSSYB104K10
	C 5017 (A,115,18) 1 uF	DCH1246
	C 5018 (A,111,22) 1 uF	DCH1246
	C 5101 (A,84,58) 10 uF	CCG1236
	C 5103 (A,94,58) 10 uF	CCG1236
	C 5104 (A,96,58) 10 uF	CCG1236
B	C 5105 (A,104,51)	CKSRYB105K16
	C 5106 (A,103,53)	CKSRYB105K16
	C 5108 (A,107,48)	CKSRYB105K10
	C 5109 (A,108,48)	CCSSCH101J50
	C 5110 (A,112,60) 10 uF	CCG1236
	C 5113 (A,114,57)	CKSRYB224K16
	C 5116 (A,109,61) (B)	CCSSCH471J50
	C 5117 (A,110,61) (B)	CCSSCH471J50
	C 5120 (A,103,57)	CKSSYB332K50
	C 5201 (A,34,59)	CKSSYB224K6R3
	C 5203 (A,34,62)	CKSRYB105K10
C	C 5204 (A,34,60)	CKSSYB224K6R3
	C 5205 (A,27,62)	CKSRYB224K16
	C 5206 (A,19,48)	CKSSYB472K50
	C 5207 (A,27,52)	CKSSYB102K50
	C 5208 (B,18,63)	CKSRYB105K16
	C 5209 (B,30,53)	CKSRYB105K10
	C 5210 (B,24,68)	CKSQYB105K25
	C 5212 (B,26,65)	CKSQYB105K25
	C 5213 (B,21,59)	CKSRYB104K50
	C 5214 (B,22,65)	CKSRYB104K50
	C 5215 (B,24,64)	CKSRYB104K50
D	C 5217 (A,24,63)	CKSYB475K16
	C 5218 (A,33,56)	CKSRYB682K50
	C 5219 (A,18,52) 4.7 uF	CCG1212
	C 5220 (A,28,63)	CCSSCH101J50
	C 5221 (B,26,62)	CKSSYB561K50
	C 5222 (A,24,49)	CKSYB475K16
	C 5224 (A,30,54)	CKSSYB152K50
	C 5301 (A,8,38)	CKSSYB104K16
	C 5302 (A,7,36) 4.7 uF	CCG1222
	C 5309 (A,7,29)	CKSSYB102K50
E	C 5310 (A,7,28)	CKSSYB104K16
	C 5311 (A,7,27)	CKSSYB102K50
	C 5312 (A,7,26)	CKSSYB104K10
	C 5319 (A,14,21)	CKSSYB102K50
	C 5320 (A,15,21)	CKSSYB104K10
	C 5321 (B,17,32)	CKSSYB102K50
	C 5323 (B,16,32)	CKSSYB104K16
	C 5324 (B,13,35) 10 uF(B)	CCG1236
	C 5325 (B,13,33) 10 uF	CCG1236
	C 5326 (B,14,40)	CKSSYB102K50
	C 5327 (B,13,41) 10 uF(B)	CCG1236
	C 5328 (B,45,36)	CKSSYB102K50
F	C 5329 (B,29,38)	CKSSYB102K50
	C 5330 (B,20,35)	CKSSYB104K10
	C 5331 (B,18,35) 10 uF	CCG1192
	C 5334 (A,19,41)	CKSSYB104K16
	C 5335 (A,18,43) 4.7 uF	CCG1222

	3	4
	<u>Circuit Symbol and No.</u>	<u>Part No.</u>
	C 5337 (A,16,43)	CKSQYB225K16
	C 5339 (A,22,41)	CKSRYB104K50
	C 5340 (A,22,43)	CKSQYB334K50
	C 5341 (A,22,45)	CKSRYB103K50
	C 5342 (A,28,41) 2.2 uF	CCG1218
	C 5343 (A,40,60)	CKSSYB104K10
	C 5344 (A,37,52) 10 uF	CCG1236
	C 5347 (B,28,35)	CKSSYB102K50
	C 5348 (B,47,35)	CKSSYB102K50
	C 5349 (B,34,44)	CKSRYB105K10

C
Unit Number : CWX4609
Unit Name : DVD Core Unit

MISCELLANEOUS

IC 1002 (B,15,13) Regulator IC	MM1886A50P
IC 1004 (B,64,28) IC	NJM2855DL1-33
IC 1251 (A,12,41) IC	BA5839FP
IC 1401 (B,28,40) Flash ROM Unit	CWW8811
IC 1402 (B,46,28) Flash ROM Unit	CWW8812
IC 1480 (A,65,30) RAM IC	M12L64164A-5TG2Y
IC 1501 (A,39,33) IC	MN2DS0018MA
IC 1953 (B,57,17) IC	S-1135D12-A6
Q 1101 (B,13,59) Bipolar TR	LSCR523UB
Q 1102 (B,14,56) Bipolar TR	LSCR523UB
Q 1103 (B,10,62) Transistor	2SB1132
Q 1104 (B,22,54) Transistor	2SB1132
L 1501 (A,54,30) Inductor	CTF1743
L 1511 (A,48,17) Chip Beads	VTL1126
L 1902 (A,18,17) Inductor	CTF1487
L 1903 (B,64,16) Inductor	CTF1558
L 1904 (A,68,18) Resistor	RS1/16SS0R0J
X 1501 (B,48,18) Crystal Resonator	CSS1823
F 1001 (A,14,19) Chip EMI Filter	DTF1106
F 1002 (B,64,18) Chip EMI Filter	DTL1106
S 1 (A,47,55) Lever Switch	CSN1090
S 3 (B,26,13) Lever Switch	CSN1089
VR1101 (A,7,63) Semi-fixed	CCP1447
VR1102 (A,7,59) Semi-fixed 15 kohm	CCP1449
CN1101 (A,21,63) FFC/FPC Connector	CKS6631
CN1952 (A,42,11) Connector	CKS6025

RESISTORS

R 1004 (B,12,20)	RS1/16SS4702F
R 1007 (B,12,21)	RS1/16SS6801F
R 1019 (B,34,7)	RS1/16SS101J
R 1025 (B,36,6)	RS1/16SS101J
R 1027 (A,40,18)	RS1/16SS101J
R 1101 (B,15,57)	RS1/16SS104J
R 1102 (B,11,56)	RS1/16SS104J
R 1103 (B,14,61)	RS1/16SS4300F
R 1104 (B,11,58)	RS1/16SS5100F
R 1105 (B,17,54)	RS1/16SS4300F
R 1106 (B,10,57)	RS1/16SS5600F
R 1109 (B,6,57)	RS1/16SS3R3J
R 1110 (B,16,54)	RS1/16SS3R3J
R 1111 (B,6,63)	RS1/10SR3R3J
R 1112 (B,5,58)	RS1/10SR3R3J

5		6		7		8	
<u>Circuit Symbol and No.</u>		<u>Part No.</u>		<u>Circuit Symbol and No.</u>		<u>Part No.</u>	
R 1113	(B,15,59)	RS1/10SR3R9J		R 1541	(A,26,45)	RS1/16SS221J	
R 1114	(B,19,57)	RS1/10SR3R3J		R 1542	(B,27,34)	RS1/16SS103J	
R 1115	(B,6,61)	RS1/10SR2R7J		R 1546	(A,33,48)	RS1/16SS682J	A
R 1116	(B,6,62)	RS1/10SR2R7J		R 1601	(A,32,17)	RS1/16SS123J	
R 1117	(B,18,59)	RS1/10SR3R9J		R 1602	(A,32,18)	RS1/16SS123J	
R 1118	(B,16,59)	RS1/10SR3R9J		R 1603	(B,31,20)	RS1/16SS1002D	
R 1223	(A,42,50)	RS1/16SS561J		R 1604	(A,24,21)	RS1/16SS105J	
R 1225	(B,29,7)	RS1/16SS471J		R 1605	(A,22,23)	RS1/16SS105J	
R 1251	(A,6,48)	RS1/16SS333J		R 1670	(B,40,19)	RS1/16SS1002D	
R 1252	(A,6,47)	RS1/16SS473J		R 1671	(B,43,19)	RS1/16SS2402D	
R 1253	(A,6,46)	RS1/16SS333J		R 1672	(A,39,18)	RS1/16SS2000D	
R 1254	(A,6,45)	RS1/16SS473J		R 1674	(A,38,17)	RS1/16SS3002D	
R 1255	(A,22,48)	RS1/16SS183J		R 1982	(A,10,62)	RS1/16SS822J	
R 1256	(A,21,45)	RS1/16SS153J		R 1983	(B,41,19)	RS1/16SS1000D	B
R 1257	(B,8,37)	RS1/16SS221J		R 1990	(B,35,19)	RS1/16SS2000D	
R 1258	(A,19,39)	RS1/16SS221J		R 1991	(B,31,16)	RS1/16SS101J	
R 1401	(B,34,28)	RS1/16SS221J		R 1996	(B,36,13)	RS1/16SS2000D	
R 1402	(B,35,47)	RS1/16SS104J		R 1997	(B,36,10)	RS1/16SS101J	
R 1405	(B,55,35)	RS1/16SS104J		R 2002	(B,43,10)	RS1/16SS2000D	
R 1406	(B,39,45)	RS1/16SS472J		R 2003	(B,43,8)	RS1/16SS101J	
R 1480	(A,73,24)	RAB4CQ560J		<u>CAPACITORS</u>			
R 1481	(A,73,28)	RAB4CQ560J		C 1002	(B,13,17)	CKSSYB104K16	
R 1482	(A,73,32)	RAB4CQ560J		C 1003	(B,16,18)	CKSSYB104K16	
R 1483	(A,73,35)	RAB4CQ560J		C 1004	(B,15,17) 4.7 uF	CCG1201	C
R 1484	(A,73,39)	RAB4CQ560J		C 1005	(B,41,11)	CKSRYB105K16	
R 1485	(A,55,22)	RAB4CQ560J		C 1010	(B,60,23)	CKSQYB225K10	
R 1486	(A,56,27)	RAB4CQ560J		C 1011	(B,64,22)	CKSRYB105K10	
R 1487	(A,56,37)	RAB4CQ560J		C 1015	(A,26,7)	CKSSYB102K50	
R 1488	(A,56,40)	RAB4CQ560J		C 1016	(B,64,15)	CKSSYB102K50	
R 1489	(A,54,29)	RS1/16SS560J		C 1018	(B,14,21)	CKSSYB104K10	
R 1490	(A,73,21)	RS1/16SS560J		C 1040	(B,59,12)	CCSRCH821J50	
R 1501	(B,49,20)	RS1/16SS122J		C 1041	(B,19,12)	CCSRCH271J50	
R 1503	(B,47,20)	RS1/16SS105J		C 1101	(B,15,53) 10 uF	CCG1192	
R 1504	(A,50,17)	RS1/16SS121J		C 1104	(B,8,57)	CKSSYB104K10	
R 1509	(A,21,34)	RS1/16SS102J		C 1105	(B,18,54)	CKSSYB104K10	D
R 1510	(A,11,29)	RS1/16SS102J		C 1106	(B,8,66)	CKSSYB103K16	
R 1512	(A,55,31)	RS1/16SS470J		C 1107	(B,26,53)	CKSSYB103K16	
R 1513	(A,23,38)	RS1/16SS203J		C 1108	(A,20,56)	CKSSYB103K16	
R 1514	(A,25,40)	RS1/16SS183J		C 1109	(A,7,57)	CKSRYB224K16	
R 1516	(A,25,36)	RS1/16SS104J		C 1110	(A,18,58)	CKSSYB103K16	
R 1517	(B,58,22)	RS1/16SS103J		C 1111	(A,9,66)	CKSRYB224K16	
R 1518	(B,34,31)	RS1/16SS103J		C 1112	(B,17,52) 22 uF	DCH1256	
R 1522	(A,21,37)	RS1/16SS104J		C 1113	(B,9,58) 22 uF	DCH1256	
R 1523	(A,23,37)	RS1/16SS221J		C 1210	(B,77,33)	CKSSYB104K16	
R 1524	(B,29,33)	RS1/16SS472J		C 1251	(B,13,41)	CEVW101M16	
R 1525	(A,25,44)	RS1/16SS103J		C 1252	(B,8,41) 4.7 uF	CCG1222	E
R 1526	(A,23,40)	RS1/16SS103J		C 1253	(B,8,39)	CKSSYB104K16	
R 1527	(A,35,48)	RS1/16SS682J		C 1254	(A,6,37)	CKSSYB104K16	
R 1528	(B,20,33)	RS1/16SS103J		C 1255	(A,19,37)	CKSSYB104K16	
R 1529	(B,35,21)	RS1/16SS103J		C 1401	(B,34,27)	CKSSYB104K16	
R 1530	(B,18,33)	RS1/16SS103J		C 1403	(B,39,40)	CKSSYB104K10	
R 1531	(B,34,30)	RS1/16SS103J		C 1408	(B,58,27)	CKSSYB104K10	
R 1533	(A,29,48)	RS1/16SS104J		C 1410	(B,34,29)	CKSSYB104K16	
R 1534	(B,29,48)	RS1/16SS221J		C 1480	(A,71,19)	CKSSYB104K10	
R 1535	(A,22,44)	RS1/16SS104J		C 1481	(A,73,22)	CKSSYB104K10	
R 1536	(B,32,48)	RS1/16SS104J		C 1482	(A,72,26)	CKSSYB104K10	F
R 1537	(A,25,46)	RS1/16SS104J		C 1484	(A,73,30)	CKSSYB104K10	
R 1538	(A,56,35)	RS1/16SS104J		C 1485	(A,73,41)	CKSSYB104K10	
R 1539	(B,34,48)	RS1/16SS104J					
R 1540	(A,26,46)	RS1/16SS221J					

	1	2
	<u>Circuit Symbol and No.</u>	<u>Part No.</u>
	C 1487 (A,58,29)	CKSSYB104K10
	C 1488 (A,57,25)	CKSSYB104K10
	C 1489 (A,65,17) 10 uF	CCG1192
A	C 1490 (A,66,18)	CKSSYB102K50
	C 1501 (B,62,20) 10 uF	CCG1192
	C 1502 (B,55,19) 10 uF	CCG1192
	C 1503 (A,54,33)	CKSSYB104K10
	C 1504 (A,54,24)	CKSSYB104K10
	C 1505 (A,54,27)	CKSSYB104K10
	C 1506 (B,53,34)	CKSSYB104K10
	C 1507 (A,54,36)	CKSSYB104K10
	C 1508 (A,54,38)	CKSSYB104K10
	C 1509 (A,54,42)	CKSSYB104K10
B	C 1510 (B,51,18)	CCSSCH120J50
	C 1511 (A,49,18)	CKSSYB104K10
	C 1512 (B,46,18)	CCSSCH120J50
	C 1513 (A,48,47)	CKSSYB104K10
	C 1514 (B,45,20)	CKSSYB104K10
	C 1515 (A,44,19)	CKSSYB104K10
	C 1516 (A,44,47)	CKSSYB104K10
	C 1517 (A,42,47)	CKSSYB104K10
	C 1518 (A,38,47)	CKSSYB104K10
	C 1519 (A,34,47)	CKSSYB104K10
C	C 1520 (A,27,47)	CKSSYB104K10
	C 1521 (A,25,33)	CKSSYB104K10
	C 1522 (A,25,38)	CKSSYB104K10
	C 1523 (A,20,45)	CKSSYB104K10
	C 1524 (A,21,48)	CKSSYB473K16
	C 1526 (A,25,37)	CKSSYB103K16
	C 1528 (B,30,48)	CCSSCH471J50
	C 1601 (A,32,19)	CKSSYB103K16
	C 1602 (A,34,17)	CCSSCH101J50
	C 1603 (A,34,18)	CCSSCH101J50
	C 1604 (A,30,17)	CCSSCH680J50
	C 1605 (A,30,18)	CCSSCH680J50
D	C 1606 (A,35,19)	CKSSYB104K10
	C 1607 (A,20,24) 10 uF	CCG1192
	C 1608 (A,28,18) 4.7 uF	CCG1201
	C 1609 (A,26,22)	CKSSYB104K10
	C 1612 (A,24,24)	CKSSYB104K10
	C 1613 (A,25,25)	CKSSYB104K10
	C 1614 (A,23,24)	CKSSYB104K10
	C 1615 (A,23,26)	CKSSYB104K10
	C 1616 (A,25,27)	CKSSYB104K10
	C 1617 (B,27,28)	CKSSYB104K10
E	C 1618 (A,23,29)	CCSSCH101J50
	C 1619 (A,23,30)	CKSSYB562K25
	C 1620 (B,27,30)	CKSSYB224K6R3
	C 1621 (A,23,31)	CKSSYB224K6R3
	C 1622 (A,25,31)	CKSSYB333K16
	C 1623 (A,27,20)	CKSRYB105K10
	C 1624 (A,25,32)	CKSSYB104K10
	C 1625 (A,25,29)	CKSSYB104K10
	C 1671 (A,42,19)	CKSSYB104K10
	C 1673 (A,37,17)	CKSSYB104K10
	C 1674 (B,42,20)	CKSSYB104K10
F	C 1676 (B,38,20)	CKSRYB105K10
	C 1809 (B,40,17)	CKSSYB102K50
	C 1953 (B,60,17)	CKSRYB105K10
	C 1954 (B,55,17)	CKSRYB105K10

	3	4
	<u>Circuit Symbol and No.</u>	<u>Part No.</u>
	C 1955 (B,77,40)	CKSSYB104K16
	C 1962 (B,40,20)	CKSRYB105K10



Unit Number : CXX7275
Unit Name : Service Unit(Keyboard)

MISCELLANEOUS

D 5501 (A,4,45) LED	SMLVN6RGB2UK(B)
S 5501 (A,14,93) Push Switch	CSG1155
S 5502 (A,24,94) Push Switch	CSG1155
S 5503 (A,11,52) Push Switch	CSG1155
S 5504 (A,11,77) Push Switch	CSG1155
S 5505 (A,11,69) Push Switch	CSG1155
S 5506 (A,11,21) Push Switch	CSG1155
S 5507 (A,11,13) Push Switch	CSG1155
S 5508 (A,11,38) Push Switch	CSG1155
S 5509 (A,13,45) Push Switch	CSG1155
U 5501 (A,7,92) IR RC Rec Module	PNJ4833M
CN5501 (B,14,43) Connector	CKS6063

RESISTORS

R 5502 (B,11,77)	RS1/16SS470J
R 5504 (A,14,41)	RS1/16SS392J
R 5505 (A,15,24)	RS1/16SS472J
R 5506 (A,15,22)	RS1/16SS123J
R 5507 (A,15,78)	RS1/16SS182J
R 5508 (A,15,80)	RS1/16SS222J
R 5509 (A,15,82)	RS1/16SS472J

CAPACITORS

C 5508 (B,8,93) 10 uF	CCG1192
-----------------------	---------