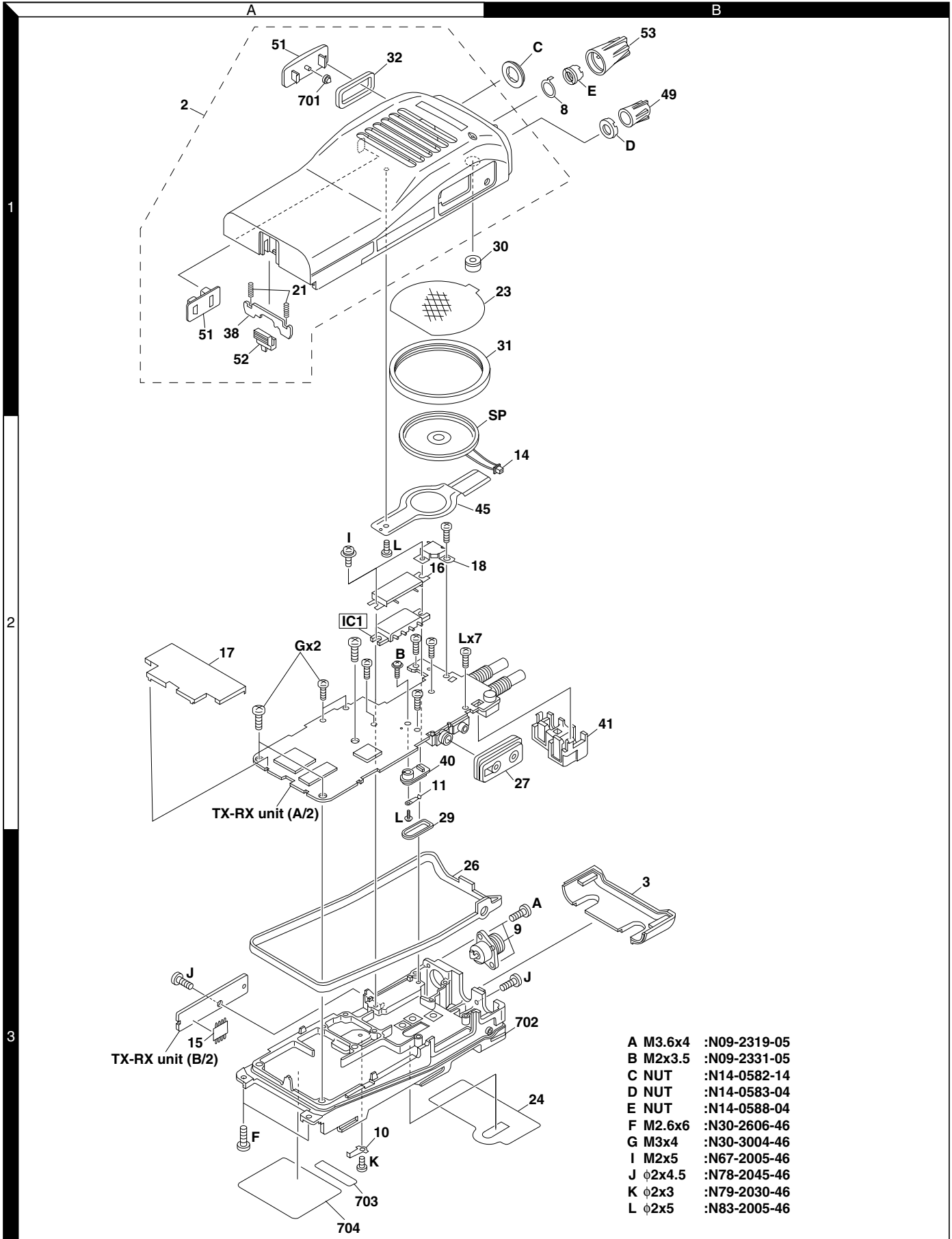


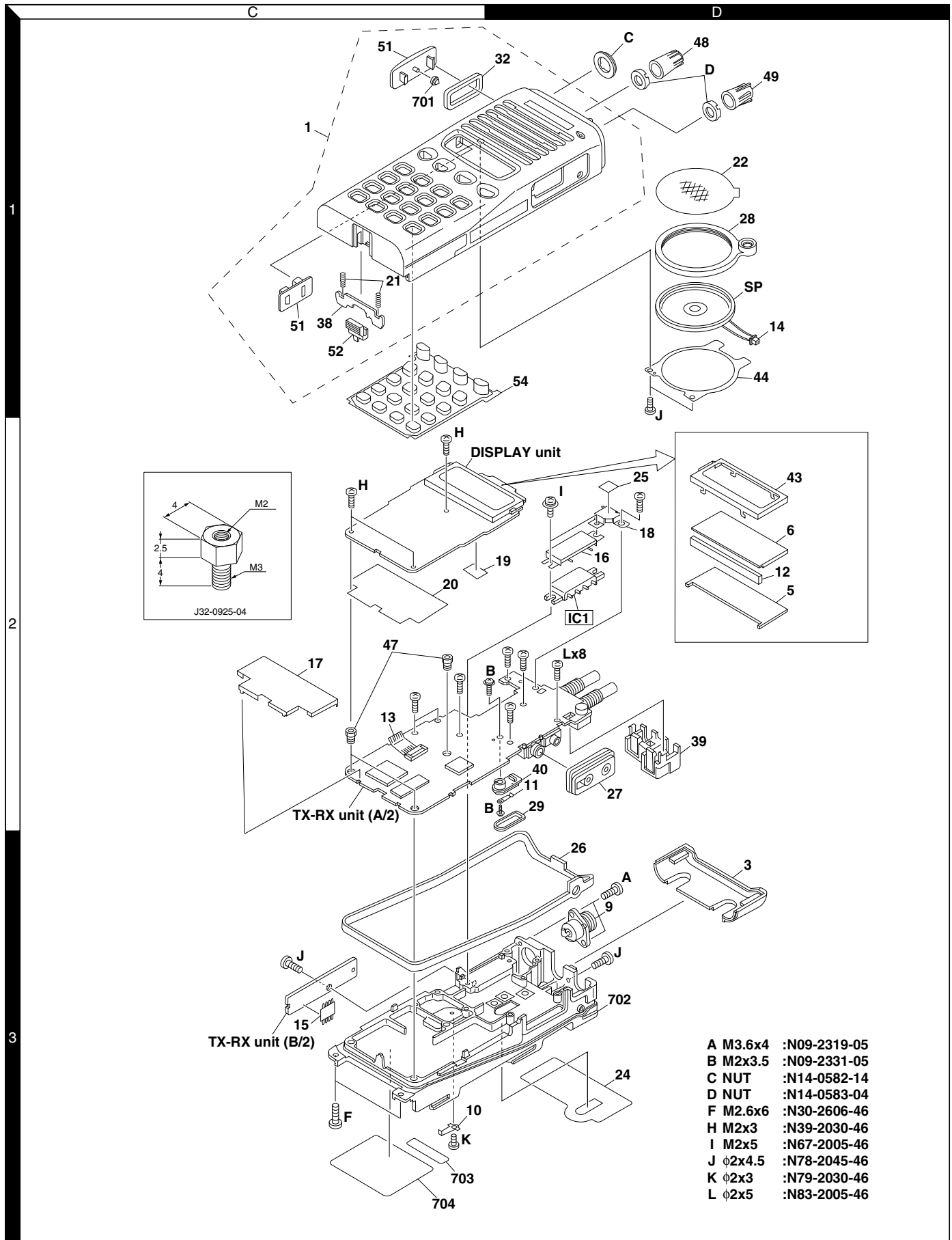
TK-360G/(N)/370G/(N)

EXPLODED VIEW (TK-360G)

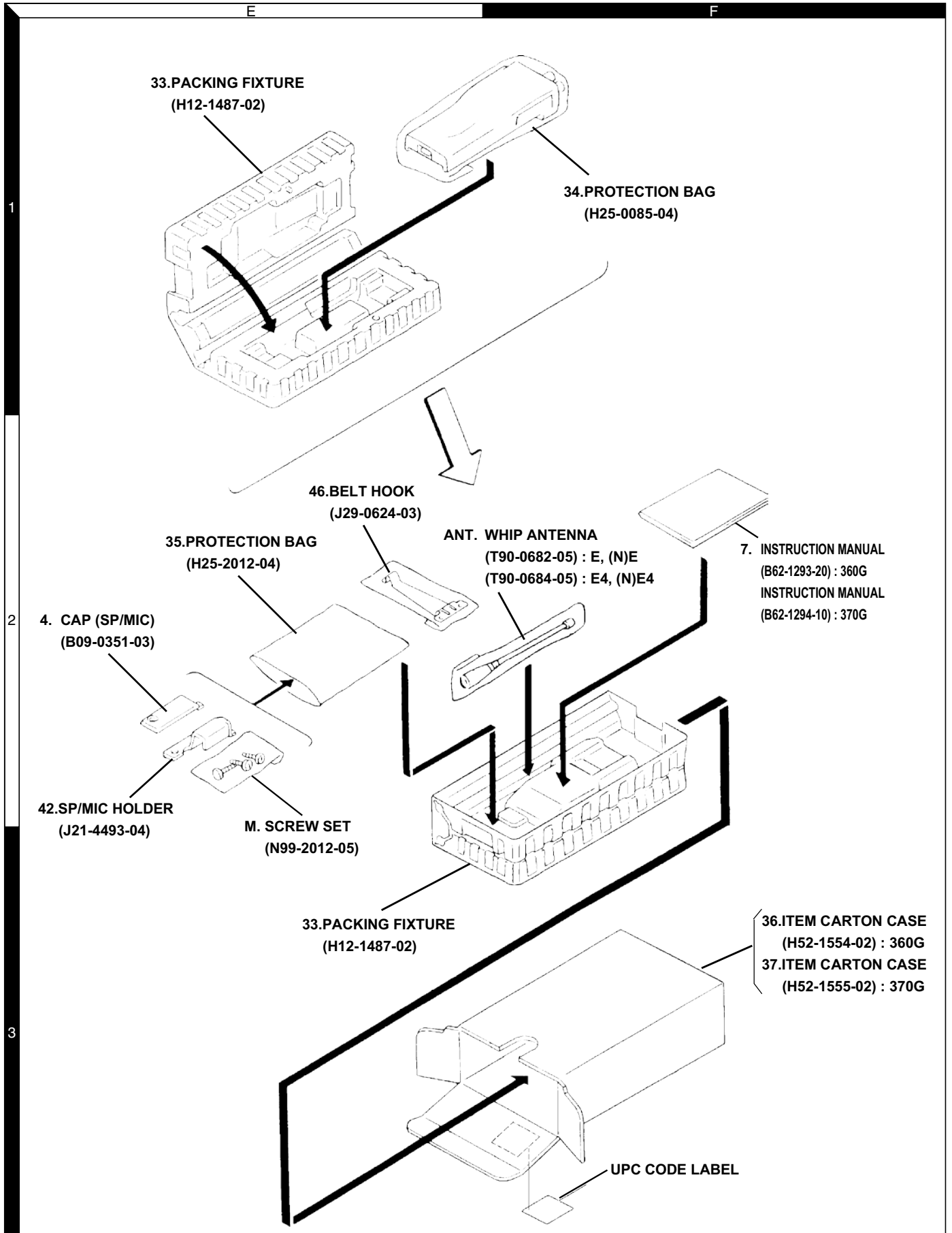


TK-360G/(N)/370G/(N)

EXPLODED VIEW (TK-370G)



TK-360G/(N)/370G/(N) PACKING



TK-360G/(N)/370G/(N)

PARTS LIST

* New Parts. Δ indicates safety critical components.
 Parts without **Parts No.** are not supplied.
 Les articles non mentionnés dans le **Parts No.** ne sont pas fournis.
 Teile ohne **Parts No.** werden nicht geliefert.

L: Scandinavia K: USA P: Canada
 Y: PX (Far East, Hawaii) T: England E: Europe
 Y: AAFES (Europe) X: Australia M: Other Areas

TK-360G/(N)/370G/(N)
 DISPLAY UNIT (X54-3250-10)

| Ref. No. | Address | New parts | Parts No. | Description | Destination | Ref. No. | Address | New parts | Parts No. | Description | Destination |
|-----------------------------|---------|-----------|-------------|-------------------------------|-------------|--|-------------|-----------|---------------|------------------------------------|-------------|
| TK-360G/(N)/370G/(N) | | | | | | 48 | 1D | * | K29-5331-03 | KNOB (ENCODER) | 370G |
| 1 | 1A | * | A02-2385-23 | CABINET ASSY | 370G | 49 | 1B,1D | * | K29-5332-03 | KNOB (VOLUME) | |
| 2 | 1C | * | A02-2391-23 | CABINET ASSY | 360G | 50 | 1A,1C | * | K29-5333-13 | BUTTON KNOB (MONI/LAMP) | |
| 3 | 3B,3D | * | A82-0036-02 | REAR PANEL | | 51 | 1A,1C | * | K29-5334-13 | BUTTON KNOB (PTT) | |
| 4 | 2E | | B09-0351-03 | CAP(SP/MIC) | | 52 | 1A,1C | * | K29-5337-03 | LEVER KNOB (BATT RELEASE) | |
| 5 | 2D | | B11-1220-03 | ILLUMINATION GUIDE | 370G | 53 | 1B | * | K29-5341-03 | KNOB (CHANNEL SELECTOR) | 360G |
| 6 | 2D | | B38-0820-05 | LCD | 370G | 54 | 1C | * | K29-5459-12 | KEY TOP (DTMF) | 370G |
| 7 | 2F | * | B62-1293-30 | INSTRUCTION MANUAL | 360G | A | 3B,3D | | N09-2319-05 | BINDING HEAD SCREW | |
| 7 | 2F | * | B62-1294-30 | INSTRUCTION MANUAL | 370G | B | 2A,2D | * | N09-2331-05 | SPECIAL SCREW | |
| 8 | 1B | * | D32-0423-04 | STOPPER | 360G | C | 1B,1D | | N14-0582-14 | CIRCULAR NUT | |
| 9 | 3B,3D | | E04-0413-05 | RF COAXIAL RECEPTACLE(SMA) | | D | 1B,1D | | N14-0583-04 | CIRCULAR NUT | |
| 10 | 3A,3C | | E23-1183-04 | RELAY TERMINAL (BATT-) | | E | 1B | | N14-0588-04 | CIRCULAR NUT | 360G |
| 11 | 2A,2D | * | E23-1184-04 | RELAY TERMINAL (BATT+) | | F | 3A,3C | | N30-2606-46 | PAN HEAD MACHINE SCREW | |
| 12 | 2D | * | E29-1177-04 | INTER CONNECTOR(LCD) | 370G | G | 2A | | N30-3004-46 | PAN HEAD MACHINE SCREW | 360G |
| 13 | 2C | * | E37-0805-05 | FLAT CABLE (TX/RX-DISP) | 370G | H | 2C | | N39-2030-46 | PAN HEAD MACHINE SCREW | 370G |
| 14 | 2B,1D | * | E37-0829-05 | SPEAKER LEAD ASSY | | I | 2A,2D | * | N67-2005-46 | PAN HEAD SEMS SCREW W | |
| 15 | 3A,3C | * | E37-0830-05 | FLAT CABLE (PTT) | | J | 3A,3B,3C,3D | * | N78-2045-46 | PAN HEAD TAPTITE SCREW | |
| 16 | 2A,2D | * | F10-2302-04 | SHIELDING COVER(POWER MODULE) | | K | 3A,3C | * | N79-2030-46 | PAN HEAD TAPTITE SCREW | |
| 17 | 2A,2C | * | F10-2304-03 | SHIELDING COVER(TX/RX UNIT) | | L | 2A,2C,2D | | N83-2005-46 | PAN HEAD TAPTITE SCREW | |
| 18 | 2A,2D | * | F10-2361-04 | SHIELDING COVER(CAV,RAD) | | M | 2E | * | N99-2012-05 | SCREW SET | |
| 19 | 2C | * | F20-3307-04 | INSULATING SHEET | 370G | VR2 | - | * | R31-0628-15 | VARIABLE RESISTOR | |
| 20 | 2C | * | F20-3308-04 | INSULATING SHEET | 370G | S1 | - | * | S60-0418-05 | ROTARY SWITCH | 360G |
| 21 | 1A,1C | | G01-0881-04 | COIL SPRING (BATT RELEASE) | | SP | 1D | | T07-0326-05 | SPEAKER | 370G |
| 22 | 1D | * | G10-1232-04 | FIBROUS SHEET (SPEAKER) | 370G | SP | 2A | | T07-0327-05 | SPEAKER | 360G |
| 23 | 1A | * | G10-1233-04 | FIBROUS SHEET (SPEAKER) | 360G | ANT | 2F | | T90-0682-05 | WHIP ANTENNA | E,(N)E |
| 24 | 3B,3D | * | G13-1744-14 | CUSHION (CHASSIS-BATT) | | ANT | 2F | | T90-0684-05 | WHIP ANTENNA | (N)E4,E4 |
| 25 | 2D | * | G13-1762-04 | CUSHION (ANT-S,COVER) | 370G | S1 | - | | W02-1969-05 | ENCODER | 370G |
| - | | | G13-1783-04 | CUSHION (PM-S. COVER) | | DISPLAY UNIT (X54-3250-10) (TK-370G only) | | | | | |
| 26 | 3A,3D | * | G53-1530-02 | PACKING (SIDE) | | D506 | | | B30-2210-05 | LED(LCD BACK LIGHT) | |
| 27 | 2B,2D | * | G53-1531-03 | PACKING (SP/MIC) | | D508-510 | | | B30-2171-05 | LED(KEY BACK LIGHT) | |
| 28 | 1D | * | G53-0882-03 | PACKING (SPEAKER-ECM) | 370G | D511 | | | B30-2210-05 | LED(LCD BACK LIGHT) | |
| 29 | 2A,2D | * | G53-0883-04 | PACKING (BATT TERMINAL) | | D512-516 | | | B30-2171-05 | LED(KEY BACK LIGHT) | |
| 30 | 1B | * | G53-0884-04 | PACKING (EMC) | 360G | C501-509 | | | CC73GCH1H22J | CHIP C 220PF J | |
| 31 | 1A | * | G53-0885-04 | PACKING | 360G | C513 | | | CK73GB1H102K | CHIP C 1000PF K | |
| 32 | 1A,1C | * | G53-0891-04 | PACKING | | C515,516 | | | CC73GCH1H101J | CHIP C 100PF J | |
| 33 | 1E,2F | | H12-1487-02 | PACKING FIXTURE | | CN501 | | | E40-6012-05 | FLAT CABLE CONNECTOR | |
| 34 | 1F | | H25-0085-04 | PROTECTION BAG (100/200/0.07) | | L501,502 | | | L92-0138-05 | FERRITE CHIP | |
| 35 | 2E | | H25-2012-04 | PROTECTION BAG (75/100/0.08) | | CP501 | | | R90-0748-05 | MULTI-COMP 47K X4 | |
| 36 | 3F | * | H52-1554-02 | ITEM CARTON CASE | 360G | CP502,503 | | | R90-0724-05 | MULTI-COMP 1K X4 | |
| 37 | 3F | * | H52-1555-02 | ITEM CARTON CASE | 370G | R501-510 | | | RK73GB1J102J | CHIP R 1.0K J 1/16W | |
| 38 | 1A,1C | | J19-1572-04 | HOLDER (BATT RELEASE) | | R511 | | | R92-1252-05 | CHIP R 0 OHM | |
| 39 | 2D | * | J19-5352-03 | HOLDER (VOL/ENC) | 370G | R512 | | | RK73GB1J102J | CHIP R 1.0K J 1/16W | |
| 40 | 2A,2D | * | J19-5353-14 | HOLDER (BATT TERMINAL) | | R513-515 | | | RK73GB1J103J | CHIP R 10K J 1/16W | |
| 41 | 2B | * | J19-5355-03 | HOLDER (VOL/CHANNEL SW) | 360G | R516 | | | RK73GB1J47J | CHIP R 47K J 1/16W | |
| 42 | 2E | * | J21-4493-04 | SP/MIC HOLDER | | R517 | | | RK73GB1J103J | CHIP R 10K J 1/16W | |
| 43 | 2D | * | J21-8377-03 | LCD HOLDER | 370G | R518 | | | RK73GB1J471J | CHIP R 470 J 1/16W | |
| 44 | 1D | * | J21-8378-04 | SPEAKER FIXTURE | 370G | R519-522 | | | RK73GB1J102J | CHIP R 1.0K J 1/16W | |
| 45 | 2A | * | J21-8381-14 | SPEAKER FIXTURE | 360G | | | | | | |
| 46 | 2E | | J29-0624-03 | BELT HOOK | | | | | | | |
| 47 | 2C | * | J32-0925-04 | HEXAGON BOSS | 370G | | | | | | |

TK-360G/(N)/370G/(N)

PARTS LIST

DISPLAY UNIT (X54-3250-10)
TX-RX UNIT (X57-5882-XX)

| Ref. No. | Address | New parts | Parts No. | Description | Destination | Ref. No. | Address | New parts | Parts No. | Description | Destination |
|---|---------|-----------|---------------|----------------------|-------------|----------|---------|-----------|---------------|----------------------|-------------|
| R523 | | | RK73GB1J473J | CHIP R 47K J 1/16W | | C33 | | | CC73GCH1H060B | CHIP C 6.0PF B | A,B,E,F |
| R524 | | | RK73GB1J471J | CHIP R 470 J 1/16W | | C33 | | | CC73GCH1H080B | CHIP C 8.0PF B | C,D |
| D501-504 | | | MA2S111 | DIODE | | C35-41 | | | CK73GB1H471K | CHIP C 470PF K | |
| D505 | | | 1SS373 | DIODE | | C42-44 | | | CC73GCH1H101J | CHIP C 100PF J | |
| D507 | | | MA2S111 | DIODE | | C45 | | | CK73GB1H471K | CHIP C 470PF K | |
| IC501 | | | LC75823W | MOS IC | | C48,49 | | | C92-0001-05 | CHIP-C 0.1UF 35WV | |
| Q501 | | | 2SB113Z(Q,R) | TRANSISTOR | | C51 | | | C92-0004-05 | CHIP-TAN 1.0UF 16WV | A,B,E,F |
| Q502 | | | 2SC4617(S) | TRANSISTOR | | C51 | | | C92-0585-05 | CHIP-TAN 4.7UF 16WV | C,D |
| TX-RX UNIT (X57-5882-XX) -71:TK-360G E, -72:TK-360G (N)E, -73:TK-370G E, -74:TK-370G (N)E, -75:TK-360G (N)E4, -76:TK-360G E4 | | | | | | C52 | | | CC73GCH1H030B | CHIP C 3.0PF B | C,D |
| D18 | | | B30-2019-05 | LED(RED/GRN) | | C52 | | | CC73GCH1H040B | CHIP C 4.0PF B | A,B,E,F |
| C1 | | | CK73GB1H471K | CHIP C 470PF K | | C53 | | | CK73GB1H471K | CHIP C 470PF K | |
| C2 | | | CC73GCH1H020C | CHIP C 2.0PF C | | C54 | | | CK73FB1C474K | CHIP C 0.47UF K | |
| C3 | | | CC73GCH1H010B | CHIP C 1.0PF B | C,D | C55 | | | CK73GB1H471K | CHIP C 470PF K | |
| C4 | | | CC73GCH1H0R5B | CHIP C 0.5PF B | C,D | C57 | | | CK73FB1C474K | CHIP C 0.47UF K | |
| C4 | | | CC73GCH1H010B | CHIP C 1.0PF B | A,B,E,F | C58 | | | CK73GB1H103K | CHIP C 0.010UF K | |
| C5 | | | CC73GCH1H010B | CHIP C 1.0PF B | A,B,E,F | C60 | | | CK73GB1H103K | CHIP C 0.010UF K | |
| C5 | | | CC73GCH1H020B | CHIP C 2.0PF B | C,D | C62 | | | CC73GCH1H560J | CHIP C 56PF J | |
| C6 | | | CK73GB1C104K | CHIP C 0.10UF K | | C63 | | | CC73GCH1H070B | CHIP C 7.0PF B | |
| C8 | | | CC73GCH1H030B | CHIP C 3.0PF B | | C64 | | | CC73GCH1H010B | CHIP C 1.0PF B | |
| C9 | | | CK73GB1H471K | CHIP C 470PF K | | C68 | | | C92-0565-05 | CHIP-TAN 6.8UF 10WV | |
| C10 | | | CC73GCH1H120G | CHIP C 12PF G | A,B,E,F | C70 | | | CK73GB1H103K | CHIP C 0.010UF K | |
| C10 | | | CC73GCH1H270G | CHIP C 27PF G | C,D | C71 | | | CC73GCH1H101J | CHIP C 100PF J | |
| C11 | | | CC73GCH1H080D | CHIP C 8.0PF D | A,B,E,F | C72 | | | CC73GCH1H120G | CHIP C 12PF G | A,B,E,F |
| C11 | | | CC73GCH1H120J | CHIP C 12PF J | C,D | C72 | | | CC73GCH1H180G | CHIP C 18PF G | C,D |
| C12 | | | CC73GCH1H070D | CHIP C 7.0PF D | A,B,E,F | C73 | | | CK73GB1H471K | CHIP C 470PF K | |
| C12 | | | CC73GCH1H110J | CHIP C 11PF J | C,D | C74 | | | CK73FB1E104K | CHIP C 0.10UF K | |
| C13 | | | CK73GB1H471K | CHIP C 470PF K | | C75 | | | CK73GB1H471K | CHIP C 470PF K | |
| C14 | | | CC73GCH1H0R5B | CHIP C 0.5PF B | | C76 | | | CK73GB1H102K | CHIP C 1000PF K | |
| C16 | | | CC73GCH1H040B | CHIP C 4.0PF B | C,D | C77 | | | CC73GCH1H010B | CHIP C 1.0PF B | C,D |
| C16 | | | CC73GCH1H060B | CHIP C 6.0PF B | A,B,E,F | C77 | | | CC73GCH1H030B | CHIP C 3.0PF B | A,B,E,F |
| C17 | | | CC73GCH1H040B | CHIP C 4.0PF B | | C78 | | | CC73GCH1H470J | CHIP C 47PF J | |
| C18 | | | CC73GCH1H100C | CHIP C 10PF C | A,B,E,F | C81 | | | CC73GCH1H010C | CHIP C 1.0PF C | |
| C18 | | | CC73GCH1H100C | CHIP C 10PF C | C,D | C82 | | | CK73GB1H102K | CHIP C 1000PF K | A,B,E,F |
| C20 | | | CC73GCH1H030B | CHIP C 3.0PF B | A,B,E,F | C84,85 | | | CK73GB1H471K | CHIP C 470PF K | |
| C20 | | | CC73GCH1H040B | CHIP C 4.0PF B | C,D | C86,87 | | | CC73GCH1H100D | CHIP C 10PF D | |
| C21 | | | CC73GCH1H0R5B | CHIP C 0.5PF B | C,D | C88 | | | CC73GCH1H040B | CHIP C 4.0PF B | |
| C21 | | | CC73GCH1H010B | CHIP C 1.0PF B | A,B,E,F | C89 | | | CC73GCH1H070B | CHIP C 7.0PF B | |
| C22 | | | CC73GCH1H101J | CHIP C 100PF J | | C90 | | | C92-0560-05 | CHIP-TAN 10UF 6.3WV | |
| C23 | | | CC73GCH1H020B | CHIP C 2.0PF B | A,B,E,F | C94 | | | C92-0560-05 | CHIP-TAN 10UF 6.3WV | |
| C23 | | | CC73GCH1H050B | CHIP C 5.0PF B | C,D | C95,96 | | | CK73GB1H471K | CHIP C 470PF K | |
| C24 | | | CC73GCH1H030B | CHIP C 3.0PF B | A,B,E,F | C98 | | | C92-0560-05 | CHIP-TAN 10UF 6.3WV | |
| C24 | | | CC73GCH1H080B | CHIP C 8.0PF B | C,D | C99 | | | CK73GB1C104K | CHIP C 0.10UF K | |
| C25 | | | CC73GCH1H040B | CHIP C 4.0PF B | A,B,E,F | C100 | | | C92-0507-05 | CHIP-TAN 4.7UF 6.3WV | |
| C25 | | | CC73GCH1H080B | CHIP C 8.0PF B | C,D | C101 | | | CK73GB1H471K | CHIP C 470PF K | |
| C26 | | | CC73GCH1H1R5B | CHIP C 1.5PF B | A,B,E,F | C104 | | | CK73GB1H471K | CHIP C 470PF K | |
| C26 | | | CC73GCH1H020B | CHIP C 2.0PF B | C,D | C107,108 | | | CK73GB1C104K | CHIP C 0.10UF K | |
| C27 | | | CC73GCH1H0R5B | CHIP C 0.5PF B | | C109 | | | C92-0560-05 | CHIP-TAN 10UF 6.3WV | |
| C28 | | | CC73GCH1H060D | CHIP C 6.0PF D | A,B,E,F | C110 | | | CK73GB1H103K | CHIP C 0.010UF K | |
| C28 | | | CC73GCH1H070D | CHIP C 7.0PF D | C,D | C111 | | | CK73GB1H471K | CHIP C 470PF K | |
| C29 | | | CC73GCH1H220J | CHIP C 22PF J | | C112 | | | CC73GCH1H050B | CHIP C 5.0PF B | |
| C30 | | | CC73GCH1H060D | CHIP C 6.0PF D | A,B,E,F | C113 | | | CK73GB1H471K | CHIP C 470PF K | |
| C30 | | | CC73GCH1H080D | CHIP C 8.0PF D | C,D | C114 | | | CK73GB1H391K | CHIP C 390PF K | |
| C31 | | | C92-0507-05 | CHIP-TAN 4.7UF 6.3WV | | C115 | | | CK73GB1C104K | CHIP C 0.10UF K | |
| C32 | | | CK73GB1C104K | CHIP C 0.10UF K | | C116 | | | CK73GB1H471K | CHIP C 470PF K | |
| | | | | | | C118 | | | CK73GB1H471K | CHIP C 470PF K | |
| | | | | | | C119 | | | CK73FB1A105K | CHIP C 1.0UF K | |

360G : TK-360G E, E4, (N)E, (N)E4
370G : TK-370G E, (N)E

A : TK-360G E D : TK-360G E4
B : TK-360G (N)E E : TK-370G E
C : TK-360G (N)E4 F : TK-370G (N)E

TK-360G/(N)/370G/(N)

PARTS LIST

TX-RX UNIT (X57-5882-XX)

| Ref. No. | Address | New parts | Parts No. | Description | Destination | Ref. No. | Address | New parts | Parts No. | Description | Destination |
|----------|---------|-----------|---------------|----------------------|-------------|----------|---------|-----------|---------------|----------------------|-------------|
| C120,121 | | | CK73GB1H471K | CHIP C 470PF K | | C201 | | | CK73GB1H103K | CHIP C 0.010UF K | |
| C122 | | | CK73FB1A105K | CHIP C 1.0UF K | | C202,203 | | | CK73GB1C104K | CHIP C 0.10UF K | |
| C123 | | | CK73GB1H391K | CHIP C 390PF K | | C204 | | | CK73FB1C474K | CHIP C 0.47UF K | |
| C124 | | | CC73GCH1H270J | CHIP C 27PF J | A,B,E,F | C205 | | | CK73GB1H103K | CHIP C 0.010UF K | |
| C124 | | | CC73GCH1H390J | CHIP C 39PF J | C,D | C206-208 | | | CK73GB1C104K | CHIP C 0.10UF K | |
| C125,126 | | | CK73GB1H103K | CHIP C 0.010UF K | | C209 | | | CK73GB1H392K | CHIP C 3900PF K | |
| C127 | | | CC73GCH1H050C | CHIP C 5.0PF C | B,C,F | C210 | | | CK73GB1H102K | CHIP C 1000PF K | |
| C128 | | | CC73GCH1H040C | CHIP C 4.0PF C | A,D,E | C211 | | | C92-0507-05 | CHIP-TAN 4.7UF 6.3WV | |
| C128 | | | CC73GCH1H150J | CHIP C 15PF J | B,C,F | C212 | | | CK73GB1H122K | CHIP C 1200PF K | |
| C130 | | | CK73GB1H471K | CHIP C 470PF K | | C213 | | | CK73GB1H103K | CHIP C 0.010UF K | |
| C131 | | | CC73GCH1H100D | CHIP C 10PF D | | C215 | | | CK73GB1C104K | CHIP C 0.10UF K | |
| C132 | | | CK73GB1H103K | CHIP C 0.010UF K | | C216 | | | CK73GB1H392K | CHIP C 3900PF K | |
| C133 | | | CC73GCH1H820J | CHIP C 82PF J | | C217 | | | CK73GB1E153K | CHIP C 0.015UF K | |
| C135 | | | CK73GB1H103K | CHIP C 0.010UF K | | C218 | | | CK73FB1H563K | CHIP C 0.056UF K | |
| C136 | | | CC73GCH1H080D | CHIP C 8.0PF D | | C219,220 | | | CK73GB1C104K | CHIP C 0.10UF K | |
| C137 | | | CK73GB1H471K | CHIP C 470PF K | | C221 | | | CK73GB1H471K | CHIP C 470PF K | |
| C138 | | | CK73GB1C104K | CHIP C 0.10UF K | | C222 | | | CK73GB1H103K | CHIP C 0.010UF K | |
| C139 | | | CC73GCH1H181J | CHIP C 180PF J | | C223 | | | C92-0560-05 | CHIP-TAN 10UF 6.3WV | |
| C140 | | | CK73GB1H103K | CHIP C 0.010UF K | | C224 | | | CK73GB1H122K | CHIP C 1200PF K | |
| C141 | | | CK73GB1C104K | CHIP C 0.10UF K | | C225 | | | CC73GCH1H101J | CHIP C 100PF J | |
| C142 | | | CK73FB1A105K | CHIP C 1.0UF K | | C226,227 | | | CK73GB1H562J | CHIP C 5600PF J | |
| C143,144 | | | CK73GB1H471K | CHIP C 470PF K | | C229 | | | CK73FB1H471K | CHIP C 470PF K | |
| C146,147 | | | CK73GB1C104K | CHIP C 0.10UF K | | C230 | | | CK73GB1H562J | CHIP C 5600PF J | |
| C148 | | | CK73GB1H103K | CHIP C 0.010UF K | | C231 | | | C92-0521-05 | CHIP-TAN 0.47UF 20WV | |
| C150 | | | CK73GB1H102K | CHIP C 1000PF K | | C232 | | | CK73GB1H471K | CHIP C 470PF K | |
| C151-153 | | | CK73GB1H471K | CHIP C 470PF K | | C233 | | | CC73GCH1H151J | CHIP C 150PF J | |
| C155 | | | C92-0662-05 | CHIP-TAN 15UF 6.3WV | | C234,235 | | | CK73GB1H272J | CHIP C 2700PF J | |
| C156,157 | | | CK73GB1H471K | CHIP C 470PF K | | C236 | | | CK73GB1C104K | CHIP C 0.10UF K | |
| C158 | | | CK73FB1A105K | CHIP C 1.0UF K | | C238 | | | CK73GB1H392K | CHIP C 3900PF K | |
| C159 | | | CK73GB1H471K | CHIP C 470PF K | | C239 | | | CK73GB1C333K | CHIP C 0.033UF K | A,B,C,D |
| C161 | | | CK73GB1H471K | CHIP C 470PF K | | C239 | | | CK73GB1C104K | CHIP C 0.10UF K | E,F |
| C162 | | | CK73GB1H103K | CHIP C 0.010UF K | | C240 | | | CK73GB1H272J | CHIP C 2700PF J | |
| C163,164 | | | CK73GB1H471K | CHIP C 470PF K | | C241 | | | CK73GB1H471K | CHIP C 470PF K | |
| C165 | | | CK73GB1H103K | CHIP C 0.010UF K | | C242 | | | C92-0560-05 | CHIP-TAN 10UF 6.3WV | |
| C166 | | | CK73FF1E104Z | CHIP C 0.10UF Z | | C243 | | | CK73FB1A105K | CHIP C 1.0UF K | |
| C167 | | | CK73GB1H471K | CHIP C 470PF K | | C244 | | | C92-0560-05 | CHIP-TAN 10UF 6.3WV | |
| C170,171 | | | CK73GB1H471K | CHIP C 470PF K | | C245 | | | CK73GB1H471K | CHIP C 470PF K | |
| C173 | | | C92-0567-05 | CHIP-TAN 68UF 6.3WV | | C246 | | | CK73FB1A105K | CHIP C 1.0UF K | |
| C174 | | | CK73GB1H471K | CHIP C 470PF K | | C247 | | | CK73GB1E123K | CHIP C 0.012UF K | |
| C176 | | | CC73GCH1H101J | CHIP C 100PF J | | C248 | | | CK73GB1H103K | CHIP C 0.010UF K | |
| C177 | | | CK73GB1C473K | CHIP C 0.047UF K | | C249 | | | CK73GB1H222K | CHIP C 2200PF K | |
| C178 | | | C92-0560-05 | CHIP-TAN 10UF 6.3WV | | C250 | | | CK73GB1C683K | CHIP C 0.068UF K | |
| C179 | | | CK73GB1C104K | CHIP C 0.10UF K | | C251 | | | CK73GB1C104K | CHIP C 0.10UF K | |
| C180 | | | CK73GB1H103K | CHIP C 0.010UF K | | C252 | | | CK73GB1C473K | CHIP C 0.047UF K | |
| C181 | | | CK73GB1C393K | CHIP C 0.039UF K | | C253,254 | | | CK73GB1H103K | CHIP C 0.010UF K | |
| C182 | | | CK73GB1H102K | CHIP C 1000PF K | | C255 | | | CK73GB1H183K | CHIP C 0.018UF K | |
| C184 | | | CK73GB1C104K | CHIP C 0.10UF K | | C257 | | | CK73GB1E153K | CHIP C 0.015UF K | |
| C185 | | | CC73GCH1H180J | CHIP C 18PF J | | C258 | | | CK73GB1C333K | CHIP C 0.033UF K | |
| C186,187 | | | CK73GB1C104K | CHIP C 0.10UF K | E,F | C259 | | | CC73GCH1H121J | CHIP C 120PF J | |
| C189 | | | CK73GB1H103K | CHIP C 0.010UF K | | C260 | | | CK73GB1H183K | CHIP C 0.018UF K | |
| C190,191 | | | CK73GB1C104K | CHIP C 0.10UF K | | C261 | | | CK73GB1E153K | CHIP C 0.015UF K | |
| C192,193 | | | CC73GCH1H300J | CHIP C 30PF J | | C262 | | | CK73GB1H102K | CHIP C 1000PF K | |
| C194 | | | C92-0507-05 | CHIP-TAN 4.7UF 6.3WV | | C266 | | | CK73GB1C104K | CHIP C 0.10UF K | |
| C196 | | | CC73GCH1H101J | CHIP C 100PF J | | C268 | | | CK73GB1H102K | CHIP C 1000PF K | |
| C198,199 | | | CK73GB1H103K | CHIP C 0.010UF K | | C269 | | | CK73GB1H152K | CHIP C 1500PF K | |
| C200 | | | CK73GB1A224K | CHIP C 0.22UF K | | C270 | | | CK73GB1H222K | CHIP C 2200PF K | |

TK-360G/(N)/370G/(N)

PARTS LIST

TX-RX UNIT (X57-5882-XX)

| Ref. No. | Address | New parts | Parts No. | Description | Destination | Ref. No. | Address | New parts | Parts No. | Description | Destination |
|----------|---------|-----------|---------------|----------------------------|-------------|----------|---------|-----------|--------------|------------------------------|-------------|
| C271 | | | CK73GB1H102K | CHIP C 1000PF K | | L11 | | | L40-1092-81 | SMALL FIXED INDUCTOR | |
| C302 | | | CC73GCH1H010B | CHIP C 1.0PF B | A,B,E,F | L12 | | | L40-2702-86 | SMALL FIXED INDUCTOR(27U) | C,D |
| C302 | | | CC73GCH1H020B | CHIP C 2.0PF B | C,D | L12 | | | L40-3391-86 | SMALL FIXED INDUCTOR(3.3U) | A,B,E,F |
| C303 | | | CC73GCH1H020B | CHIP C 2.0PF B | A,B,E,F | L14 | | | L40-1875-92 | SMALL FIXED INDUCTOR(18NH) | |
| C303 | | | CC73GCH1H220G | CHIP C 22PF G | C,D | L15 | | | L40-2275-92 | SMALL FIXED INDUCTOR(22NH) | A,B,E,F |
| C304 | | | CC73GCH1H060B | CHIP C 6.0PF B | A,B,E,F | L15 | | | L40-2775-92 | SMALL FIXED INDUCTOR(27NH) | C,D |
| C304 | | | CK73GB1H471K | CHIP C 470PF K | C,D | L17 | | | L34-4547-05 | AIR-CORE COIL | |
| C305 | | | CC73GCH1H0R5B | CHIP C 0.5PF B | A,B,E,F | L18-20 | | | L92-0138-05 | FERRITE CHIP | |
| C305 | | | CC73GCH1HR75B | CHIP C 0.75PF B | C,D | L21 | | | L40-1875-92 | SMALL FIXED INDUCTOR(18NH) | |
| C306 | | | CC73GCH1H0R5B | CHIP C 0.5PF B | A,B,E,F | L22 | | | L40-1085-92 | SMALL FIXED INDUCTOR(100NH) | A,B,E,F |
| C306 | | | CC73GCH1HR75B | CHIP C 0.75PF B | C,D | L22 | | | L40-1885-92 | SMALL FIXED INDUCTOR(180NH) | C,D |
| C307 | | | CC73GCH1H220J | CHIP C 22PF J | | L23 | | | L92-0138-05 | FERRITE CHIP | |
| C309 | | | CK73GB1H471K | CHIP C 470PF K | | L24 | | | L40-5681-86 | SMALL FIXED INDUCTOR(0.56U) | |
| C311 | | | CC73GCH1H010B | CHIP C 1.0PF B | A,B,E,F | L25 | | | L40-1085-92 | SMALL FIXED INDUCTOR(100NH) | A,B,E,F |
| C311 | | | CC73GCH1H030B | CHIP C 3.0PF B | C,D | L25 | | | L40-1885-92 | SMALL FIXED INDUCTOR(180NH) | C,D |
| C312 | | | CC73GCH1H010B | CHIP C 1.0PF B | C,D | L26 | | | L33-0745-05 | SMALL FIXED INDUCTOR | C,D |
| C314 | | | CC73GCH1H010B | CHIP C 1.0PF B | A,B,E,F | L26 | | | L33-1267-05 | SMALL FIXED INDUCTOR(27NH) | A,B,E,F |
| C316,317 | | | CK73GB1H471K | CHIP C 470PF K | | L27 | | | L92-0149-05 | FERRITE CHIP | |
| C319 | | | CK73GB1H471K | CHIP C 470PF K | | L30 | | | L40-2702-86 | SMALL FIXED INDUCTOR(27U) | |
| C320 | | | CC73GCH1H030B | CHIP C 3.0PF B | C,D | L31 | | | L40-1085-92 | SMALL FIXED INDUCTOR(100NH) | A,B,E,F |
| C320 | | | CC73GCH1H050B | CHIP C 5.0PF B | A,B,E,F | L31 | | | L40-1885-92 | SMALL FIXED INDUCTOR(180NH) | C,D |
| C325,326 | | | CK73GB1H471K | CHIP C 470PF K | | L32 | | | L40-1005-85 | SMALL FIXED INDUCTOR(10U) | |
| C327 | | | CC73GCH1H080B | CHIP C 8.0PF B | A,B,E,F | L35 | | | L40-1275-92 | SMALL FIXED INDUCTOR(12NH) | A,B,E,F |
| C327 | | | CC73GCH1H120G | CHIP C 12PF B | C,D | L35 | | | L40-2775-92 | SMALL FIXED INDUCTOR(27NH) | C,D |
| C328,329 | | | CK73GB1H471K | CHIP C 470PF K | | L36 | | | L40-1085-85 | SMALL FIXED INDUCTOR(0.10U) | A,D,E |
| C330 | | | CC73GCH1H3R5B | CHIP C 3.5PF B | A,B,E,F | L36 | | | L40-4785-85 | SMALL FIXED INDUCTOR(0.47U) | B,C,F |
| C330 | | | CC73GCH1H050B | CHIP C 5.0PF B | C,D | L37 | | | L40-8285-85 | SMALL FIXED INDUCTOR(0.82U) | |
| C331 | | | CC73GCH1H1R5B | CHIP C 1.5PF B | A,B,E,F | L38 | | | L92-0138-05 | FERRITE CHIP | |
| C331 | | | CC73GCH1H050B | CHIP C 5.0PF B | C,D | L39 | | | L92-0149-05 | FERRITE CHIP | |
| C332 | | | CC73GCH1H040B | CHIP C 4.0PF B | | L40,41 | | | L92-0138-05 | FERRITE CHIP | |
| TC1,2 | | | C05-0384-05 | CERAMIC TRIMMER CAP(10P) | | L42 | | | L92-0131-05 | FERRITE CHIP | |
| TC301 | | | C05-0382-05 | CERAMIC TRIMMER CAP(3P) | A,B,E,F | L43,44 | | | L92-0138-05 | FERRITE CHIP | |
| TC301 | | | C05-0383-05 | CERAMIC TRIMMER CAP(6P) | C,D | L301 | | | L40-5675-92 | SMALL FIXED INDUCTOR(56NH) | |
| TC302 | | | C05-0383-05 | CERAMIC TRIMMER CAP(6P) | | L302 | | | L34-4546-05 | AIR-CORE COIL | |
| TC303 | | | C05-0382-05 | CERAMIC TRIMMER CAP(3P) | C,D | L303 | | | L40-2275-92 | SMALL FIXED INDUCTOR(22NH) | C,D |
| TC303 | | | C05-0383-05 | CERAMIC TRIMMER CAP(6P) | A,B,E,F | L303 | | | L40-5675-92 | SMALL FIXED INDUCTOR(56NH) | A,B,E,F |
| CN1 | | | E40-6012-05 | FLAT CABLE CONNECTOR | E,F | L304-305 | | | L34-4546-05 | AIR-CORE COIL (3.5T) | |
| CN3 | | | E40-5662-05 | PIN ASSY SOCKET | | L306 | | | L34-4546-05 | AIR-CORE COIL | A,B,E,F |
| J1 | | | E11-0457-05 | PHONE JACK (2.5/3.5D) | | L307 | | | L40-4785-85 | SMALL FIXED INDUCTOR(0.47U) | |
| F1 | | | F53-0130-05 | FUSE (3A/32V) | | L308-309 | | | L34-4546-05 | AIR-CORE COIL | |
| CD1 | | | L79-1474-05 | TUNING COIL | | L310 | | | L34-4546-05 | AIR-CORE COIL | A,B,E,F |
| CF1 | | | L72-0968-05 | CERAMIC FILTER | A,D,E | L311 | | | L34-8268-05 | AIR-CORE COIL | C,D |
| CF1 | | | L72-0969-05 | CERAMIC FILTER | B,C,F | L312 | | | L40-2775-92 | SMALL FIXED INDUCTOR(27NH) | A,B,E,F |
| L1 | | | L40-1875-92 | SMALL FIXED INDUCTOR(18NH) | A,B,E,F | X1 | * | | L77-1833-05 | TCXO (16.8MHZ) | |
| L1 | | | L40-2275-92 | SMALL FIXED INDUCTOR(22NH) | C,D | X2 | | | L78-0479-05 | RESONATOR (3.58MHZ/12) | |
| L2 | | | L92-0138-05 | FERRITE CHIP | | X3 | | | L77-1810-05 | CRYSTAL RESONATOR(9.8304MHZ) | |
| L3 | | | L40-3391-86 | SMALL FIXED INDUCTOR(3.3U) | | X3 | | | L77-1835-05 | CRYSTAL RESONATOR(9.8304MHZ) | |
| L4 | | | L33-0744-05 | SMALL FIXED INDUCTOR | | XF1 | | | L71-0546-05 | CRYSTAL FILTER (49.95MHZ) | A,D,E |
| L5-6 | | | L34-4547-05 | AIR-CORE COIL (4.5T) | | XF1 | | | L71-0571-05 | CRYSTAL FILTER (49.95MHZ) | B,C,F |
| L7 | | | L34-4546-05 | AIR-CORE COIL (3.5T) | C,D | CP1 | | | R90-0724-05 | MULTI-COMP 1K X4 | |
| L7 | | | L34-4547-05 | AIR-CORE COIL (4.5T) | A,B,E,F | CP2-9 | | | R90-0741-05 | MULTIPLE RESISTOR | |
| L8 | | | L40-1575-92 | SMALL FIXED INDUCTOR(15NH) | | CP10 | | | R90-0724-05 | MULTI-COMP 1K X4 | |
| L9 | | | L40-1075-92 | SMALL FIXED INDUCTOR(10NH) | A,B,E,F | CP11-18 | | | R90-0741-05 | MULTIPLE RESISTOR | |
| L9 | | | L40-1275-92 | SMALL FIXED INDUCTOR(12NH) | C,D | CP19 | | | R90-0718-05 | MULTI-COMP 4.7K X4 | |
| L10 | | | L40-1095-34 | SMALL FIXED INDUCTOR(1UH) | | CP20 | | | RK75HA1J472J | CHIP R 4.7K J 1/16W | |
| | | | | | | R1 | | | RK73GB1J124J | CHIP R 120K J 1/16W | A,B,E,F |

A : TK-360G E **D : TK-360G E4**
B : TK-360G (N)E **E : TK-370G E**
C : TK-360G (N)E4 **F : TK-370G (N)E**

TK-360G/(N)/370G/(N)

PARTS LIST

TX-RX UNIT (X57-5882-XX)

| Ref. No. | Address | New parts | Parts No. | Description | Destination | Ref. No. | Address | New parts | Parts No. | Description | Destination |
|----------|---------|-----------|--------------|---------------------|-------------|----------|---------|-----------|--------------|---------------------|-------------|
| R1 | | | RK73GB1J394J | CHIP R 390K J 1/16W | C,D | R62 | | | RN73GH1J154D | CHIP R 150K D 1/16W | |
| R2 | | | RK73GB1J104J | CHIP R 100K J 1/16W | | R64,65 | | | RK73GB1J104J | CHIP R 100K J 1/16W | |
| R3 | | | RK73GB1J392J | CHIP R 3.9K J 1/16W | A,B,E,F | R67 | | | RK73GB1J273J | CHIP R 27K J 1/16W | |
| R3 | | | RK73GB1J472J | CHIP R 4.7K J 1/16W | C,D | R68 | | | RN73GH1J154D | CHIP R 150K D 1/16W | |
| R4 | | | RK73GB1J102J | CHIP R 1.0K J 1/16W | | R70 | | | RK73GB1J104J | CHIP R 100K J 1/16W | A,B,E,F |
| R5 | | | RK73GB1J152J | CHIP R 1.5K J 1/16W | | R71 | | | RK73GB1J124J | CHIP R 120K J 1/16W | |
| R6 | | | R92-1252-05 | CHIP R 0 OHM | | R72 | | | RK73GB1J103J | CHIP R 10K J 1/16W | |
| R7 | | | RK73GB1J100J | CHIP R 10 J 1/16W | | R73 | | | RK73GB1J273J | CHIP R 27K J 1/16W | |
| R8 | | | RK73GB1J102J | CHIP R 1.0K J 1/16W | | R76 | | | R92-0670-05 | CHIP R 0 OHM | |
| R9 | | | RK73GB1J332J | CHIP R 3.3K J 1/16W | | R77 | | | R92-1252-05 | CHIP R 0 OHM | |
| R10 | | | RK73GB1J331J | CHIP R 330 J 1/16W | | R82 | | | RK73GB1J102J | CHIP R 1.0K J 1/16W | |
| R13 | | | RK73GB1J472J | CHIP R 4.7K J 1/16W | | R83 | | | RK73GB1J104J | CHIP R 100K J 1/16W | |
| R14 | | | RK73GB1J332J | CHIP R 3.3K J 1/16W | | R84 | | | RK73GB1J394J | CHIP R 390K J 1/16W | A,C,D,E |
| R16 | | | RK73GB1J391J | CHIP R 390 J 1/16W | | R84 | | | RK73GB1J474J | CHIP R 470K J 1/16W | B,F |
| R17 | | | RK73GB1J103J | CHIP R 10K J 1/16W | | R85 | | | RK73GB1J102J | CHIP R 1.0K J 1/16W | |
| R18 | | | RK73GB1J124J | CHIP R 120K J 1/16W | | R86 | | | RK73GB1J334J | CHIP R 330K J 1/16W | A,C,D,E |
| R19 | | | RK73GB1J332J | CHIP R 3.3K J 1/16W | | R86 | | | RK73GB1J394J | CHIP R 390K J 1/16W | B,F |
| R20 | | | RK73GB1J122J | CHIP R 1.2K J 1/16W | | R87 | | | R92-1252-05 | CHIP R 0 OHM | |
| R21 | | | RK73GB1J331J | CHIP R 330 J 1/16W | | R88 | | | RK73GB1J102J | CHIP R 1.0K J 1/16W | |
| R22 | | | RK73GB1J561J | CHIP R 560 J 1/16W | | R89 | | | RK73GB1J821J | CHIP R 820 J 1/16W | |
| R23 | | | RK73GB1J222J | CHIP R 2.2K J 1/16W | | R90,91 | | | RK73GB1J332J | CHIP R 3.3K J 1/16W | |
| R24 | | | RK73GB1J682J | CHIP R 6.8K J 1/16W | | R92 | | | RK73GB1J100J | CHIP R 10 J 1/16W | |
| R25 | | | RK73GB1J470J | CHIP R 47 J 1/16W | | R93 | | | RK73GB1J332J | CHIP R 3.3K J 1/16W | |
| R26 | | | RK73GB1J561J | CHIP R 560 J 1/16W | | R94 | | | RK73GB1J221J | CHIP R 220 J 1/16W | A,D,E |
| R27 | | | RK73GB1J390J | CHIP R 39 J 1/16W | | R94 | | | RK73GB1J471J | CHIP R 470 J 1/16W | B,C,F |
| R28,29 | | | RK73GB1J271J | CHIP R 270 J 1/16W | | R95 | | | RK73GB1J222J | CHIP R 2.2K J 1/16W | |
| R30 | | | RK73GB1J152J | CHIP R 1.5K J 1/16W | C,D | R96 | | | RK73GB1J151J | CHIP R 150 J 1/16W | C,D |
| R30 | | | RK73GB1J472J | CHIP R 4.7K J 1/16W | A,B,E,F | R96 | | | RK73GB1J181J | CHIP R 180 J 1/16W | A,B,E,F |
| R31 | | | RK73GB1J101J | CHIP R 100 J 1/16W | | R97 | | | RK73GB1J183J | CHIP R 18K J 1/16W | |
| R33 | | | RK73GB1J101J | CHIP R 100 J 1/16W | | R98 | | | RK73GB1J392J | CHIP R 3.9K J 1/16W | A,D,E |
| R34 | | | RK73GB1J473J | CHIP R 47K J 1/16W | | R99 | | | RK73GB1J684J | CHIP R 680K J 1/16W | |
| R35 | | | RK73GB1J104J | CHIP R 100K J 1/16W | | R100 | | | RK73GB1J473J | CHIP R 47K J 1/16W | |
| R36 | | | RK73GB1J473J | CHIP R 47K J 1/16W | | R101 | | | RK73GB1J104J | CHIP R 100K J 1/16W | |
| R37 | | | RK73GB1J392J | CHIP R 3.9K J 1/16W | | R102,103 | | | RK73GB1J272J | CHIP R 2.7K J 1/16W | |
| R38 | | | RK73GB1J101J | CHIP R 100 J 1/16W | | R104 | | | RK73GB1J472J | CHIP R 4.7K J 1/16W | |
| R39 | | | RK73GB1J220J | CHIP R 22 J 1/16W | | R105 | | | RK73GB1J472J | CHIP R 4.7K J 1/16W | A,D,E |
| R41 | | | RK73GB1J100J | CHIP R 10 J 1/16W | | R106 | | | RK73GB1J272J | CHIP R 2.7K J 1/16W | |
| R42 | | | RK73GB1J220J | CHIP R 22 J 1/16W | | R107 | | | RK73GB1J470J | CHIP R 47 J 1/16W | |
| R43 | | | RK73GB1J101J | CHIP R 100 J 1/16W | | R108 | | | RK73GB1J152J | CHIP R 1.5K J 1/16W | A,D,E |
| R44 | | | RK73GB1J102J | CHIP R 1.0K J 1/16W | | R108 | | | RK73GB1J272J | CHIP R 2.7K J 1/16W | B,C,F |
| R45 | | | RK73GB1J222J | CHIP R 2.2K J 1/16W | A,B,E,F | R109 | | | RK73GB1J102J | CHIP R 1.0K J 1/16W | |
| R45 | | | RK73GB1J562J | CHIP R 5.6K J 1/16W | C,D | R110,111 | | | RK73GB1J103J | CHIP R 10K J 1/16W | |
| R46 | | | RN73GH1J154D | CHIP R 150K D 1/16W | | R112 | | | RK73GB1J102J | CHIP R 1.0K J 1/16W | |
| R47 | | | RK73GB1J104J | CHIP R 100K J 1/16W | | R113 | | | RK73GB1J391J | CHIP R 390 J 1/16W | |
| R48 | | | RK73GB1J334J | CHIP R 330K J 1/16W | | R114,115 | | | RK73GB1J103J | CHIP R 10K J 1/16W | |
| R49 | | | RK73GB1J103J | CHIP R 10K J 1/16W | | R116,117 | | | RK73GB1J153J | CHIP R 15K J 1/16W | |
| R50 | | | RN73GH1J154D | CHIP R 150K D 1/16W | | R118 | | | RK73GB1J473J | CHIP R 47K J 1/16W | |
| R51 | | | RK73GB1J102J | CHIP R 1.0K J 1/16W | | R119 | | | R92-1252-05 | CHIP R 0 OHM | |
| R52 | | | RK73GB1J181J | CHIP R 180 J 1/16W | | R120,121 | | | RK73GB1J473J | CHIP R 47K J 1/16W | |
| R53 | | | RK73GB1J472J | CHIP R 4.7K J 1/16W | | R122 | | | RK73GB1J102J | CHIP R 1.0K J 1/16W | |
| R54 | | | RN73GH1J154D | CHIP R 150K D 1/16W | | R123 | | | RK73GB1J104J | CHIP R 100K J 1/16W | |
| R55 | | | RK73GB1J105J | CHIP R 1.0M J 1/16W | | R124 | | | RK73GB1J334J | CHIP R 330K J 1/16W | |
| R56-58 | | | RK73EB2ER39K | CHIP R 0.39 K 1/4W | | R126 | | | RK73GB1J472J | CHIP R 4.7K J 1/16W | |
| R59 | | | RN73GH1J154D | CHIP R 150K D 1/16W | | R127 | | | RK73GB1J333J | CHIP R 33K J 1/16W | |
| R60 | | | R92-1252-05 | CHIP R 0 OHM | | R128 | | | RK73GB1J102J | CHIP R 1.0K J 1/16W | |
| R61 | | | RK73GB1J104J | CHIP R 100K J 1/16W | | R129 | | | RK73GB1J224J | CHIP R 220K J 1/16W | |

TK-360G/(N)/370G/(N)

PARTS LIST

TX-RX UNIT (X57-5882-XX)

| Ref. No. | Address | New parts | Parts No. | Description | Destination | Ref. No. | Address | New parts | Parts No. | Description | Destination |
|----------|---------|-----------|--------------|---------------------|-------------|----------|---------|-----------|--------------|---------------------|-------------|
| R130 | | | R92-1252-05 | CHIP R 0 OHM | | R203 | | | R92-1252-05 | CHIP R 0 OHM | |
| R131 | | | RK73GB1J101J | CHIP R 100 J 1/16W | | R204 | | | RK73GB1J104J | CHIP R 100K J 1/16W | |
| R132 | | | RK73GB1J104J | CHIP R 100K J 1/16W | | R205 | | | RK73GB1J182J | CHIP R 1.8K J 1/16W | |
| R133 | | | R92-1252-05 | CHIP R 0 OHM | | R206 | | | RK73GB1J471J | CHIP R 470 J 1/16W | |
| R135 | | | RK73GB1J100J | CHIP R 10 J 1/16W | | R207 | | | RK73GB1J101J | CHIP R 100 J 1/16W | |
| R137 | | | RK73GB1J101J | CHIP R 100 J 1/16W | | R208 | | | RN73GH1J682D | CHIP R 6.8K D 1/16W | |
| R138 | | | RK73GB1J102J | CHIP R 1.0K J 1/16W | | R209 | | | RK73GB1J224J | CHIP R 220K J 1/16W | |
| R139 | | | RK73GB1J151J | CHIP R 150 J 1/16W | | R210 | | | RK73GB1J474J | CHIP R 470K J 1/16W | |
| R140 | | | RK73GB1J102J | CHIP R 1.0K J 1/16W | | R211 | | | RK73GB1J103J | CHIP R 10K J 1/16W | |
| R142 | | | R92-1252-05 | CHIP R 0 OHM | | R212 | | | RN73GH1J683D | CHIP R 68K D 1/16W | |
| R143 | | | RK73GB1J184J | CHIP R 180K J 1/16W | | R213 | | | RN73GH1J682D | CHIP R 6.8K D 1/16W | |
| R144 | | | R92-1252-05 | CHIP R 0 OHM | | R214 | | | RK73GB1J184J | CHIP R 180K J 1/16W | |
| R145 | | | RK73GB1J474J | CHIP R 470K J 1/16W | | R215 | | | RK73GB1J474J | CHIP R 470K J 1/16W | |
| R146 | | | RK73GB1J472J | CHIP R 4.7K J 1/16W | | R218 | | | R92-1252-05 | CHIP R 0 OHM | |
| R147 | | | RK73GB1J470J | CHIP R 47 J 1/16W | | R219 | | | RK73GB1J273J | CHIP R 27K J 1/16W | |
| R148 | | | RK73GB1J220J | CHIP R 22 J 1/16W | | R220,221 | | | RK73GB1J184J | CHIP R 180K J 1/16W | |
| R149 | | | RK73GB1J104J | CHIP R 100K J 1/16W | | R222 | | | RK73GB1J153J | CHIP R 15K J 1/16W | |
| R150 | | | RK73GB1J102J | CHIP R 1.0K J 1/16W | | R223 | | | RK73GB1J223J | CHIP R 22K J 1/16W | |
| R151 | | | RK73GB1J473J | CHIP R 47K J 1/16W | | R224 | | | RK73GB1J103J | CHIP R 10K J 1/16W | |
| R152 | | | RK73GB1J823J | CHIP R 82K J 1/16W | | R225 | | | RK73GB1J153J | CHIP R 15K J 1/16W | |
| R154 | | | RK73GB1J564J | CHIP R 560K J 1/16W | | R226 | | | R92-1252-05 | CHIP R 0 OHM | |
| R155 | | | RK73GB1J473J | CHIP R 47K J 1/16W | | R230 | | | RK73GB1J223J | CHIP R 22K J 1/16W | |
| R156 | | | RN73GH1J683D | CHIP R 68K D 1/16W | | R231 | | | RK73GB1J104J | CHIP R 100K J 1/16W | |
| R157 | | | RK73GB1J102J | CHIP R 1.0K J 1/16W | | R232 | | | R92-1252-05 | CHIP R 0 OHM | C,D |
| R158 | | | R92-1252-05 | CHIP R 0 OHM | | R232 | | | RK73GB1J182J | CHIP R 1.8K J 1/16W | A,B,E,F |
| R159 | | | RK73GB1J102J | CHIP R 1.0K J 1/16W | | R233 | | | R92-1252-05 | CHIP R 0 OHM | |
| R160 | | | RK73GB1J222J | CHIP R 2.2K J 1/16W | | R234 | | | RK73GB1J124J | CHIP R 120K J 1/16W | |
| R161 | | | RK73GB1J563J | CHIP R 56K J 1/16W | | R235 | | | RK73GB1J334J | CHIP R 330K J 1/16W | |
| R162 | | | RN73GH1J333D | CHIP R 33K D 1/16W | | R237 | | | R92-1252-05 | CHIP R 0 OHM | |
| R163 | | | RN73GH1J274D | CHIP R 270K D 1/16W | | R239 | | | RK73GB1J153J | CHIP R 15K J 1/16W | |
| R164 | | | RK73GB1J184J | CHIP R 180K J 1/16W | | R240 | | | RK73GB1J223J | CHIP R 22K J 1/16W | |
| R165 | | | RK73GB1J473J | CHIP R 47K J 1/16W | | R241 | | | RK73GB1J334J | CHIP R 330K J 1/16W | |
| R166 | | | RK73GB1J103J | CHIP R 10K J 1/16W | | R242 | | | R92-1252-05 | CHIP R 0 OHM | |
| R167 | | | RK73GB1J564J | CHIP R 560K J 1/16W | | R244 | | | RK73GB1J391J | CHIP R 390 J 1/16W | C,D |
| R168 | | | RK73GB1J102J | CHIP R 1.0K J 1/16W | | R244 | | | RK73GB1J561J | CHIP R 560 J 1/16W | A,B,E,F |
| R169 | | | RK73GB1J473J | CHIP R 47K J 1/16W | | R247-249 | | | R92-1252-05 | CHIP R 0 OHM | |
| R170 | | | RK73GB1J394J | CHIP R 390K J 1/16W | | R250 | | | RK73GB1J472J | CHIP R 4.7K J 1/16W | |
| R171 | | | RK73GB1J474J | CHIP R 470K J 1/16W | | R251 | | | RK73GB1J474J | CHIP R 470K J 1/16W | |
| R172 | | | RK73GB1J473J | CHIP R 47K J 1/16W | | R252,253 | | | R92-1252-05 | CHIP R 0 OHM | |
| R173 | | | RK73GB1J104J | CHIP R 100K J 1/16W | | R254 | | | RK73GB1J184J | CHIP R 180K J 1/16W | |
| R174 | | | R92-1252-05 | CHIP R 0 OHM | | R255 | | | RK73GB1J474J | CHIP R 470K J 1/16W | |
| R175 | | | RK73GB1J103J | CHIP R 10K J 1/16W | | R256 | | | R92-1252-05 | CHIP R 0 OHM | |
| R176 | | | R92-1252-05 | CHIP R 0 OHM | | R258 | | | R92-1252-05 | CHIP R 0 OHM | |
| R177 | | | RK73GB1J473J | CHIP R 47K J 1/16W | | R259 | | | RK73GB1J473J | CHIP R 47K J 1/16W | |
| R178,179 | | | RK73GB1J104J | CHIP R 100K J 1/16W | | R260,261 | | | RK73GB1J224J | CHIP R 220K J 1/16W | |
| R180 | | | RK73GB1J222J | CHIP R 2.2K J 1/16W | | R301 | | | R92-0679-05 | CHIP R 0 OHM | |
| R181 | | | RK73GB1J472J | CHIP R 4.7K J 1/16W | | R303 | | | RK73GB1J470J | CHIP R 47 J 1/16W | |
| R182,183 | | | R92-1252-05 | CHIP R 0 OHM | | R304 | | | R92-1252-05 | CHIP R 0 OHM | A,B,E,F |
| R184 | | | RK73GB1J333J | CHIP R 33K J 1/16W | | R304 | | | RK73GB1J5R6J | CHIP R 5.6 J 1/16W | C,D |
| R185 | | | RK73GB1J102J | CHIP R 1.0K J 1/16W | | R305 | | | RK73GB1J102J | CHIP R 1.0K J 1/16W | A,B,E,F |
| R186 | | | RK73GB1J155J | CHIP R 1.5M J 1/16W | | R305 | | | RK73GB1J222J | CHIP R 2.2K J 1/16W | C,D |
| R198 | | | RK73GB1J154J | CHIP R 150K J 1/16W | | R306 | | | RK73GB1J332J | CHIP R 3.3K J 1/16W | |
| R199 | | | RK73GB1J103J | CHIP R 10K J 1/16W | | R308 | | | R92-1252-05 | CHIP R 0 OHM | C,D |
| R200 | | | RK73GB1J101J | CHIP R 100 J 1/16W | | R309 | | | RK73GB1J101J | CHIP R 100 J 1/16W | |
| R201 | | | R92-1252-05 | CHIP R 0 OHM | | R310 | | | RK73GB1J331J | CHIP R 330 J 1/16W | A,B,E,F |
| R202 | | | RK73GB1J474J | CHIP R 470K J 1/16W | | R310 | | | RK73GB1J471J | CHIP R 470 J 1/16W | C,D |

A : TK-360G E D : TK-360G E4
 B : TK-360G (N)E E : TK-370G E
 C : TK-360G (N)E4 F : TK-370G (N)E

TK-360G/(N)/370G/(N)

PARTS LIST

TX-RX UNIT (X57-5882-XX)

| Ref. No. | Address | New parts | Parts No. | Description | Destination | Ref. No. | Address | New parts | Parts No. | Description | Destination |
|----------|---------|-----------|----------------|--------------------------------|-------------|----------|---------|-----------|---------------|--------------------|-------------|
| R311 | | | RK73GB1J104J | CHIP R 100K J 1/16W | | Q10 | | | 2SK508NV(K52) | FET | |
| R314 | | | RK73GB1J224J | CHIP R 220K J 1/16W | | Q11 | | | 2SC4617(S) | TRANSISTOR | |
| R315-318 | | | RK73GB1J104J | CHIP R 100K J 1/16W | | Q12 | | | 2SC4649(N,P) | TRANSISTOR | |
| R600 | | | R92-1252-05 | CHIP R 0 OHM | | Q13 | | | DTA144EE | DIGITAL TRANSISTOR | |
| VR1 | | | R12-7491-05 | TRIMMING POT.(68K) | | Q15 | | | DTC114EE | DIGITAL TRANSISTOR | |
| S401 | | | S70-0457-05 | TACT SWITCH | | Q16 | | | DTA114YE | DIGITAL TRANSISTOR | |
| S402,403 | | | S70-0424-05 | TACT SWITCH | | Q18 | | | FP210 | TRANSISTOR | |
| MIC1 | | | T91-0579-05 | MIC ELEMENT | | Q19 | | | 3SK228 | FET | |
| D1 | | | MA2S111 | DIODE | | Q20,21 | | | UMG3N | TRANSISTOR | |
| D2 | | | MA2S376 | VARIABLE CAPACITANCE DIODE | | Q22 | | | 2SC4619 | TRANSISTOR | |
| D3 | | | HVU131 | DIODE | | Q23 | | | UMC4 | TRANSISTOR | A,D,E |
| D4 | | | MA2S376 | VARIABLE CAPACITANCE DIODE | | Q24,25 | | | DTC114EE | DIGITAL TRANSISTOR | |
| D5 | | | HSC277 | DIODE | | Q26 | | | DTA114EE | DIGITAL TRANSISTOR | |
| D6 | | | MA360 | VARIABLE CAPACITANCE DIODE | | Q27 | | | UPA572T | FET | |
| D7 | | | HSC277 | DIODE | A,B,E,F | Q28 | | | DTA114YE | DIGITAL TRANSISTOR | |
| D7 | | | HVC131 | DIODE | C,D | Q30 | | | 2SK1588 | FET | |
| D8 | | | HZU5ALL | DIODE | | Q31 | | | 2SC4619 | TRANSISTOR | |
| D9 | | | MA2S376 | VARIABLE CAPACITANCE DIODE | | Q32 | | | 2SA1362(GR) | TRANSISTOR | |
| D10 | | | HSC277 | DIODE | | Q33,34 | | | DTC144EE | DIGITAL TRANSISTOR | |
| D11 | | | MA2S376 | VARIABLE CAPACITANCE DIODE | | Q35 | | | UPA672T | FET | |
| D12 | | | MA2S111 | DIODE | | Q36 | | | 2SK1824 | FET | |
| D15 | | | HSC277 | DIODE | | Q301 | | | 3SK228 | FET | |
| D17 | | | MA2S111 | DIODE | E,F | | | | | | |
| D19 | | | MA2S111 | DIODE | A,B,C,D | | | | | | |
| D21 | | | 1SS373 | DIODE | | | | | | | |
| D22 | | | 1SR154-400 | DIODE | | | | | | | |
| D23 | | | RB706F-40 | DIODE | | | | | | | |
| D302 | | | HVC350B | VARIABLE CAPACITANCE DIODE | | | | | | | |
| D305-307 | | | HVC350B | VARIABLE CAPACITANCE DIODE | | | | | | | |
| IC1 | | | M68732HA | IC (RF POWER AMP) | A,B,E,F | | | | | | |
| IC1 | | | M68732L | IC (RF POWER AMP) | C,D | | | | | | |
| IC2 | | | MB15A02 | IC | | | | | | | |
| IC3 | | | NJM2904V | IC (APC) | | | | | | | |
| IC4 | | | TA31136FN | IC (FM IF DETECTOR) | | | | | | | |
| IC5,6 | | | BU4094BCFV | IC (8bit SHIFT/STORE REGISTER) | | | | | | | |
| IC7 | | | S-81350HG-KD | IC (VOLTAGE REGULATOR) | | | | | | | |
| IC8 | | | PST9140NR | IC (RESET SW) | | | | | | | |
| IC9 | | | RN5VL45C | IC (REGULATOR) | | | | | | | |
| IC10 | | | AT2408N10SI2.5 | IC (8kbit SERIAL EEPROM) | | | | | | | |
| IC11 | | | TA7388F | IC (AF POWER AMP) | | | | | | | |
| IC12 | | | AT29C020-90TI | IC | | | | | | | |
| IC13 | | | 30622M4102GP | MPU | | | | | | | |
| IC14 | | | TC35453F | IC (AUDIO PROCESSOR) | | | | | | | |
| IC15 | | | TA75W01FU | IC (OP AMP X2) | | | | | | | |
| IC16 | | | TC75W51FU | IC (OP AMP X2) | | | | | | | |
| IC17 | | | X9C103SI | IC (TERMINAL VOLTAGE) | | | | | | | |
| IC18 | | | LC73872M | IC (DTMF RECEIVER) | | | | | | | |
| IC19 | | | TA75W01FU | IC (OP AMP X2) | | | | | | | |
| Q1 | | | 2SC5108(Y) | TRANSISTOR | | | | | | | |
| Q2 | | | 2SC4226(R24) | TRANSISTOR | | | | | | | |
| Q3-5 | | | 2SC5108(Y) | TRANSISTOR | | | | | | | |
| Q6 | | | 2SC4988 | TRANSISTOR | | | | | | | |
| Q7 | | | 2SJ243 | FET | | | | | | | |
| Q8 | | | UMC4 | TRANSISTOR | | | | | | | |
| Q9 | | | DTC144EE | DIGITAL TRANSISTOR | | | | | | | |