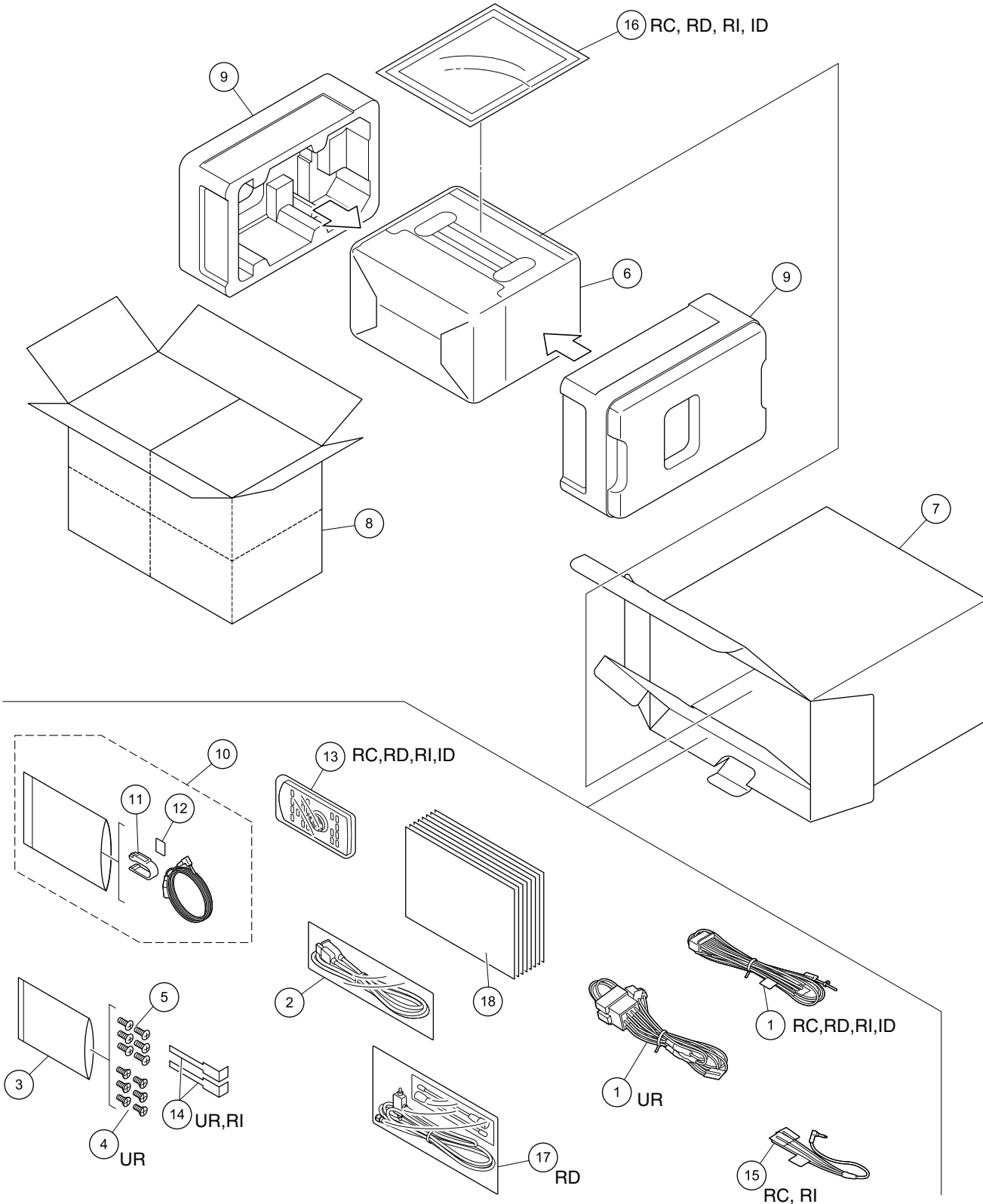


9. EXPLODED VIEWS AND PARTS LIST

- NOTES :
- Parts marked by " * " are generally unavailable because they are not in our Master Spare Parts List.
 - The Δ mark found on some component parts indicates the importance of the safety factor of the part. Therefore, when replacing, be sure to use parts of identical designation.
 - Screw adjacent to ∇ mark on the product are used for disassembly.
 - For the applying amount of lubricants or glue, follow the instructions in this manual. (In the case of no amount instructions, apply as you think it appropriate.)

9.1 PACKING



(1) PACKING SECTION PARTS LIST

<u>Mark No.</u>	<u>Description</u>	<u>Part No.</u>	<u>Mark No.</u>	<u>Description</u>	<u>Part No.</u>
1	Cord Assy	See Contrast table (2)	12	Cushion	CZN7193
2	USB Extended Cable	CDP1587	13	Card Remote Control Unit	See Contrast table (2)
* 3	Polyethylene Bag	CEG1160	14	Handle	See Contrast table (2)
4	Screw	See Contrast table (2)	15	Cord Assy	See Contrast table (2)
5	Screw	CBA2384			
6	Cover	CEG1356	16	Panel	See Contrast table (2)
7	Unit Box	See Contrast table (2)	17	Rod Antenna	See Contrast table (2)
8	Contain Box	See Contrast table (2)	18-1	Owner's Manual	See Contrast table (2)
9	Protector	See Contrast table (2)	* 18-2	Warranty Card	See Contrast table (2)
10	Microphone Assy	CPM1083	* 18-3	Caution Card	See Contrast table (2)
			* 18-4	Service Network	See Contrast table (2)
11	Holder	CZN7192			

(2) CONTRAST TABLE

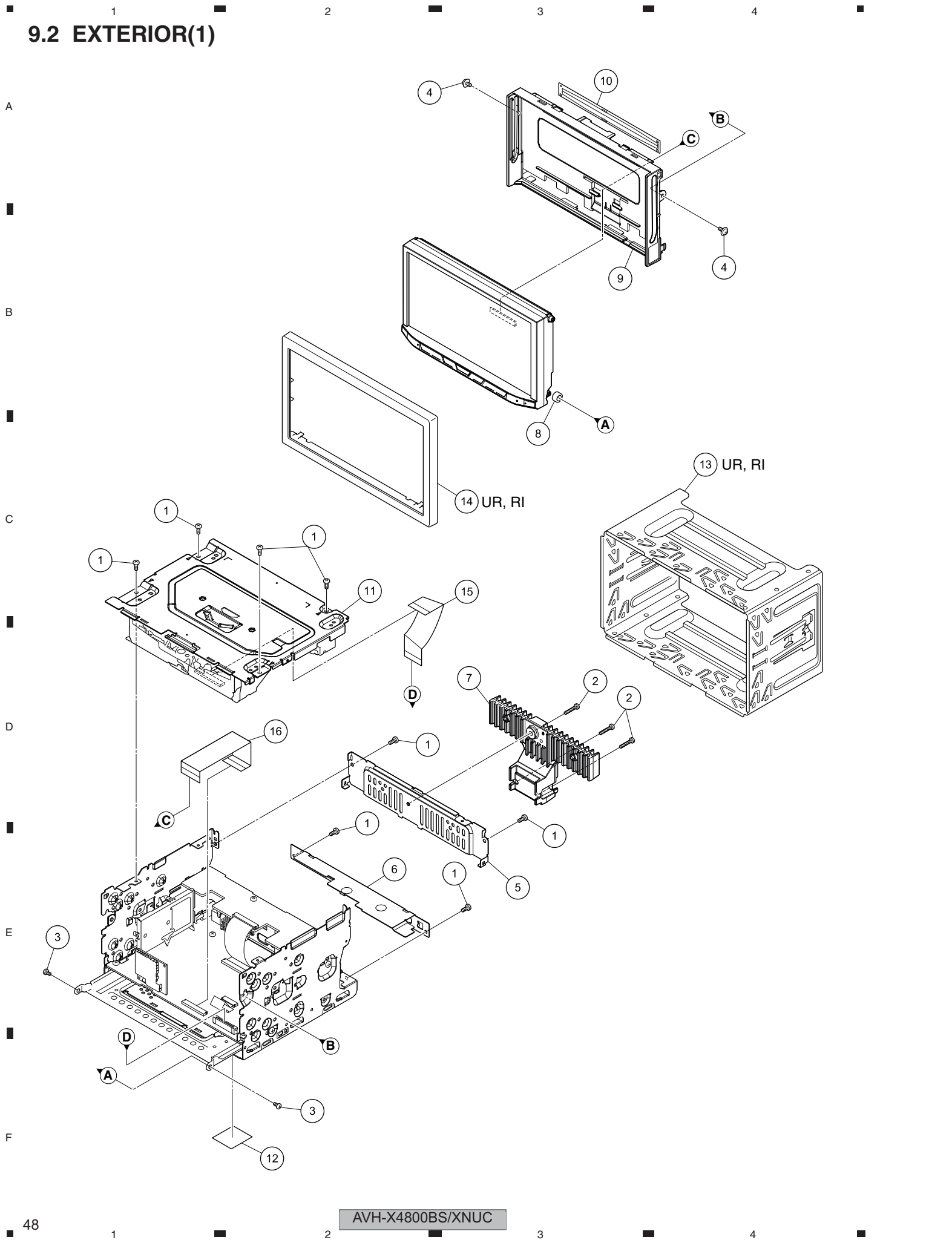
AVH-X4800BS/XNUC, AVH-X5800BT/XNUR, AVH-X5850BT/XNRC, AVH-X5850BT/XNRD, AVH-X5850BT/XNRI and AVH-X5890BT/XNID are constructed the same except for the following:

Mark	No.	Description	AVH-X4800BS/ XNUC	AVH-X5800BT/ XNUR	AVH-X5850BT/ XNRC	AVH-X5850BT/ XNRD	AVH-X5850BT/ XNRI	AVH-X5890BT/ XNID
	1	Cord Assy	CDP1665	CDP1670	CDP1665	CDP1665	CDP1665	CDP1665
	4	Screw	CBA2383	CBA2383	Not used	Not used	Not used	Not used
	6	Cover	CEG1359	CEG1356	CEG1356	CEG1356	CEG1356	CEG1356
	7	Unit Box	CHG9142	CHG9152	CHG9144	CHG9145	CHG9153	CHG9147
	8	Contain Box	CHL9142	CHL9152	CHL9144	CHL9145	CHL9153	CHL9147
	9	Protector	CHP4598	CHP4599	CHP4598	CHP4598	CHP4599	CHP4598
	13	Card Remote Control Unit	CXE5116	Not used	CXE5116	CXE5116	CXE5116	CXE5116
	14	Handle	Not used	CND6289	Not used	Not used	CND6289	Not used
	15	Cord Assy	Not used	Not used	CDP1655	Not used	CDP1655	Not used
	16	Panel	Not used	Not used	CNS9475	CNS9475	CNS9475	CNS9475
	17	Rod Antenna	Not used	Not used	Not used	Not used	Not used	Not used
	18-1	Owner's Manual	CRD4924	CRB4734	CRD4925	CRD4926	CRD4927	CRB4735
*	18-2	Warranty Card	QRY3001	CRY1376	Not used	Not used	Not used	CRY1304
*	18-3	Caution Card	Not used	Not used	Not used	Not used	Not used	Not used
*	18-4	Service Network	Not used	Not used	Not used	Not used	Not used	CRY1305

Owner's Manual, Installation Manual

Part No.	Language
CRB4734	Russian
CRB4735	English
CRD4924	English, French, Spanish(Espanol)
CRD4925	English, Traditional Chinese
CRD4926	English, Spanish(Espanol), Portuguese(B)
CRD4927	English, Arabic, Persian

9.2 EXTERIOR(1)



(1) EXTERIOR(1) SECTION PARTS LIST

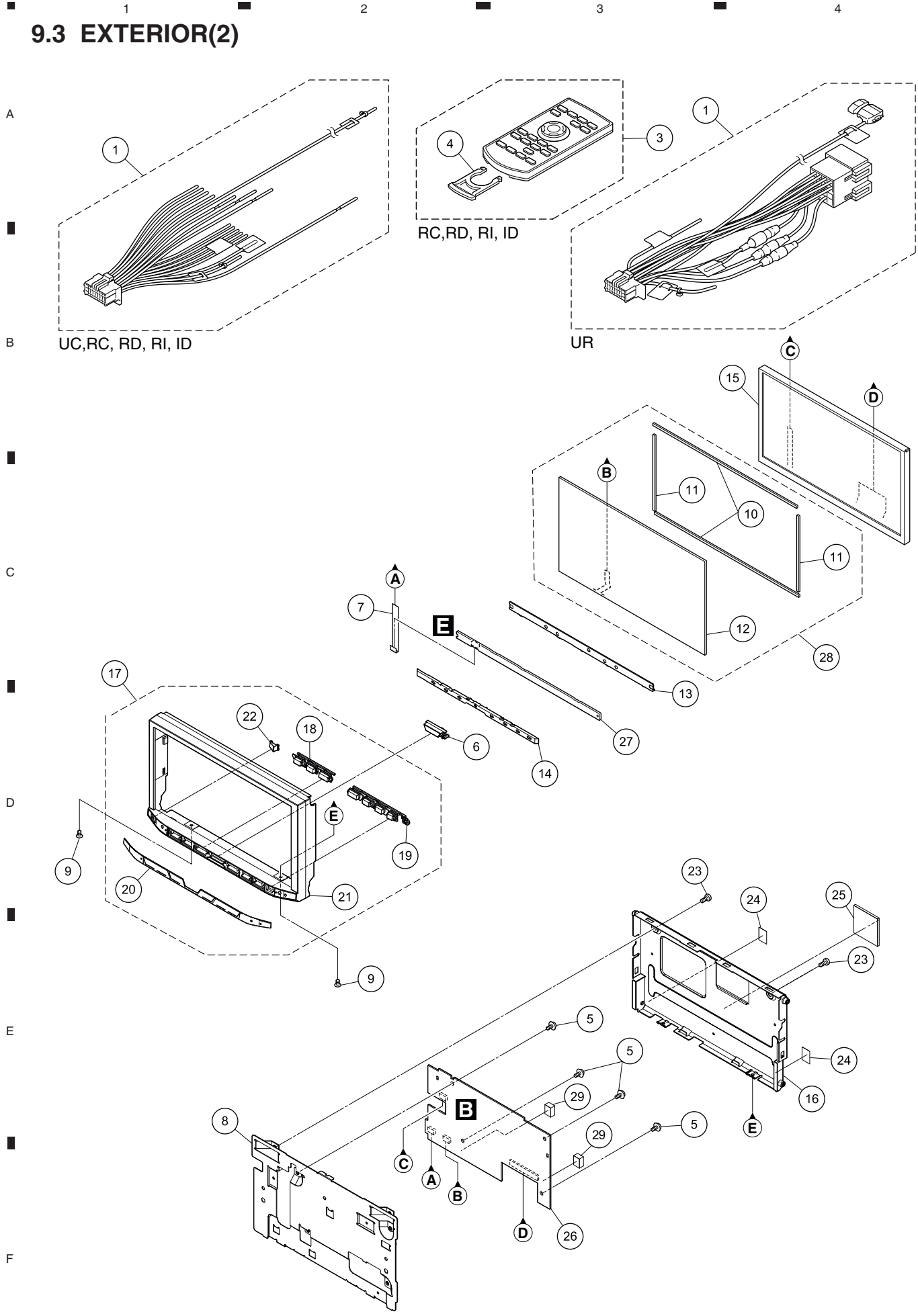
<u>Mark No.</u>	<u>Description</u>	<u>Part No.</u>	<u>Mark No.</u>	<u>Description</u>	<u>Part No.</u>
1	Screw	BSZ26P060FTC	10	Cover	CNN4866
2	Screw	BSZ26P120FTC			
3	Screw	CBA1735	11	DVD Mechanism Module (LS2.5)	CXK8100
4	Screw	ISS26P055FTC	12	Label	CNN3533
5	Holder	CND7211	13	Holder	See Contrast table (2)
			14	Panel	See Contrast table (2)
6	Holder	CND7212	15	FFC	CDD1069
7	Heat Sink	CNR2170			
8	Collar	CNW2038	16	FFC	CDD1072
9	Panel	See Contrast table (2)			

(2) CONTRAST TABLE

AVH-X4800BS/XNUC, AVH-X5800BT/XNUR, AVH-X5850BT/XNRC, AVH-X5850BT/XNRD, AVH-X5850BT/XNRI and AVH-X5890BT/XNID are constructed the same except for the following:

Mark	No.	Description	AVH- X4800BS/ XNUC	AVH- X5800BT/ XNUR	AVH- X5850BT/ XNRC	AVH- X5850BT/ XNRD	AVH- X5850BT/ XNRI	AVH- X5890BT/ XNID
	9	Panel	CNU2914	CNU2911	CNU2917	CNU2917	CNU2917	CNU2917
	13	Holder	Not used	CND7102	Not used	Not used	CND7102	Not used
	14	Panel	Not used	CNU2645	Not used	Not used	CNU2645	Not used

9.3 EXTERIOR(2)



(1) EXTERIOR(2) SECTION PARTS LIST

<u>Mark No.</u>	<u>Description</u>	<u>Part No.</u>	<u>Mark No.</u>	<u>Description</u>	<u>Part No.</u>
1	Cord Assy	See Contrast table (2)	16	Case Unit	CXE7602
2		17	Grille Assy	See Contrast table (2)
3	Card Remote Control Unit	See Contrast table (2)	18	Button	CAI4319
4	Battery Cover	See Contrast table (2)	19	Button	CAI4320
5	Screw	ASZ26P050FTC	20	Plate	See Contrast table (2)
6	Button (HOME)	CAI4318	21	Grille	CNU2894
7	FFC	CDD1038	22	Lighting Conductor	CNW3103
8	Holder	CND7197	23	Screw	BSZ26P060FTC
9	Screw (M2 x 3)	CBA1877	24	Sheet	CNN5262
10	Cush ion	CNN5207	25	Cushion	CNN5006
11	Cushion	CNN5208	26	Service Unit (Monitor)	CXX8373
12	Touch Panel	CSX1241	27	Service Unit (Keyboard)	CXX8413
13	Holder	CNW3104	28	Touch Panel	UnitCXE7770
14	Lighting Conductor	CNW3102	29	Gasket	See Contrast table (2)
15	TFT LCD	CWX4781			

(2) CONTRAST TABLE

AVH-X4800BS/XNUC, AVH-X5800BT/XNUR, AVH-X5850BT/XNRC, AVH-X5850BT/XNRD, AVH-X5850BT/XNRI and AVH-X5890BT/XNID are constructed the same except for the following:

Mark	No.	Description	AVH-X4800BS/ XNUC	AVH-X5800BT/ XNUR	AVH-X5850BT/ XNRC	AVH-X5850BT/ XNRD	AVH-X5850BT/ XNRI	AVH-X5890BT/ XNID
	1	Cord Assy	CDP1665	CDP1670	CDP1665	CDP1665	CDP1665	CDP1665
	3	Card Remote Control Unit	CXE5116	Not used	CXE5116	CXE5116	CXE5116	CXE5116
	4	Battery Cover	CNU1624	Not used	CNU1624	CNU1624	CNU1624	CNU1624
	17	Grille Assy	CXE8821	CXE8824	CXE8822	CXE8822	CXE8822	CXE8823
	20	Plate	CNN5153	CNN5156	CNN5154	CNN5154	CNN5154	CNN5155
	29	Gasket	Not used	CNN5243	Not used	CNN5243	CNN5243	CNN5243

9.4 EXTERIOR(3)

A

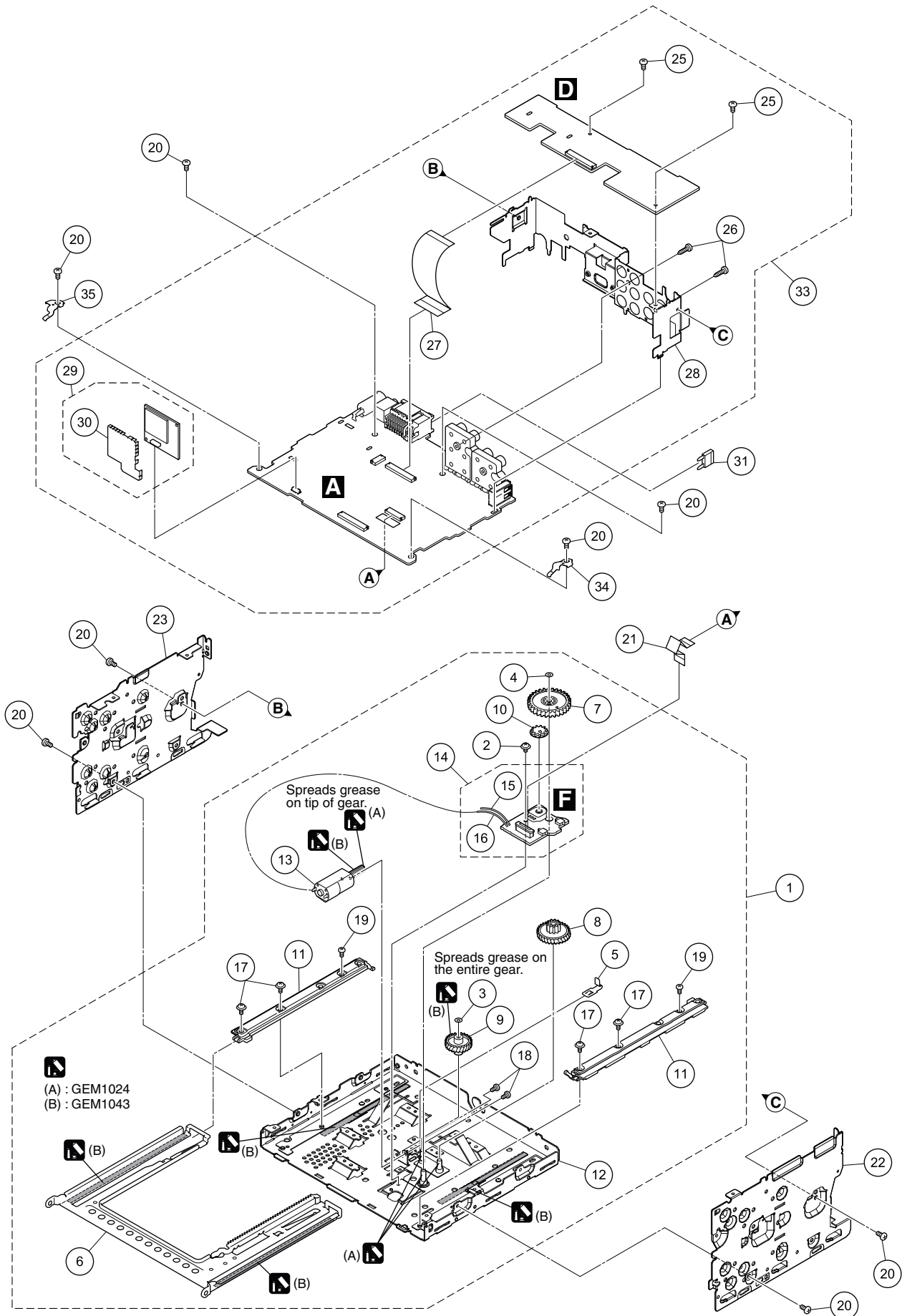
B

C

D

E

F



(1) EXTERIOR(3) SECTION PARTS LIST

<u>Mark No.</u>	<u>Description</u>	<u>Part No.</u>	<u>Mark No.</u>	<u>Description</u>	<u>Part No.</u>
1	Drive Mechanism Unit	CXE7000	19	Screw	EBA2002
2	Screw	AMZ26P030FTC	20	Screw	BSZ26P060FTC
3	Washer	CBF1039			
4	Washer	CBF1064	21	FFC	CDD1034
5	Spring	EBL1034	22	Bracket	CND6985
			23	Bracket	CND6986
6	Frame	ENC2001	24	••••	
7	Gear	ENV1630	25	Screw	BSZ26P060FTC
8	Gear	ENV1631			
9	Gear	ENV1632	26	Screw	BPZ26P080FTC
10	Gear	ENV1635	27	FFC	CDE9766
			28	Holder	See Contrast table (2)
11	Guide	ENV3001	29	BT Module	CWX4774
*	12 Chassis Unit	EXA4027	30	Shield Case	YNC5123
	13 Motor Unit	EXA4003			
	14 PCB Unit (Service)	EXX2001	⚠ 31	Fuse (10 A)	YEK5001
*	15 Cord (Green)	CDC1056	32	••••	
			33	Service Unit (Mother I/F)	See Contrast table (2)
*	16 Cord (White)	CDC1057	34	Leaf Spring	CBL1865
	17 Screw	IMS26P060FTC	35	Leaf Spring	CBL1866
	18 Screw	JFZ20P025FTC			

(2) CONTRAST TABLE

AVH-X4800BS/XNUC, AVH-X5800BT/XNUR, AVH-X5850BT/XNRC, AVH-X5850BT/XNRD, AVH-X5850BT/XNRI and AVH-X5890BT/XNID are constructed the same except for the following:

Mark	No.	Description	AVH- X4800BS/ XNUC	AVH- X5800BT/ XNUR	AVH- X5850BT/ XNRC	AVH- X5850BT/ XNRD	AVH- X5850BT/ XNRI	AVH- X5890BT/ XNID
	28	Holder	CND7540	CND7201	CND7201	CND7201	CND7201	CND7201
	33	Service Unit (Mother I/F)	CXX8338	CXX8343	CXX8339	CXX8340	CXX8341	CXX8342

9.5 DVD MECHANISM MODULE(1)

1

2

3

4

A

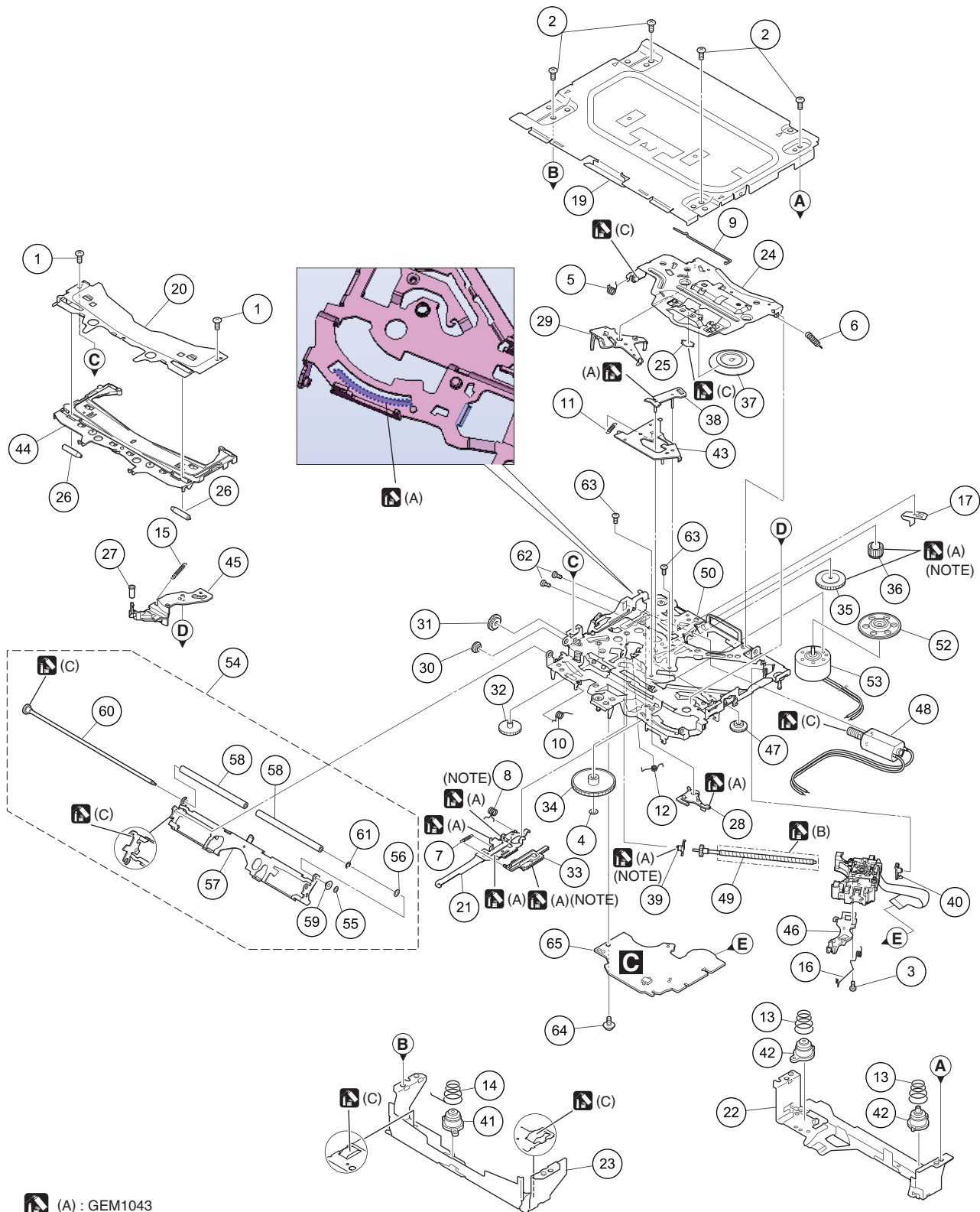
B

C

D

E

F



- (A) : GEM1043
- (B) : GEM1045
- (C) : GEM1024

(NOTE) Apply grease to the whole part.

1

2

3

4

12. ELECTRICAL PARTS LIST

NOTE:

- Parts whose parts numbers are omitted are subject to being not supplied.
- The part numbers shown below indicate chip components.

Chip Resistor

RS1/○S○○○○J,RS1/○○S○○○○J

Chip Capacitor (except for CQS.....)

CKS....., CCS....., CSZS.....

- The \triangle mark found on some component parts indicates the importance of the safety factor of the part. Therefore, when replacing, be sure to use parts of identical designation.
- Meaning of the figures and others in the parentheses in the parts list.

Example) IC 301 is on the point (face A, 91 of x-axis, and 111 of y-axis) of the corresponding PC board.

IC 301 (A, 91, 111) IC NJM2068V

- The expression of the unit in this manual is shown by u instead of μ . Please do not make a mistake.

<u>Circuit Symbol and No.</u>	<u>Part No.</u>	<u>Circuit Symbol and No.</u>	<u>Part No.</u>
A:AVH-X4800BS/XNUC		Unit Number : CXX8338(A)	
B:AVH-X5800BT/XNUR		Unit Number : CXX8343(B)	
C:AVH-X5850BT/XNRC		Unit Number : CXX8339(C)	
D:AVH-X5850BT/XNRD		Unit Number : CXX8340(D)	
E:AVH-X5850BT/XNRI		Unit Number : CXX8341(E)	
F:AVH-X5890BT/XNID		Unit Number : CXX8342(F)	
		Unit Name : Service Unit(Mother I/F)	

- Unit Number : CXX8338(A)
- Unit Number : CXX8343(B)
- Unit Number : CXX8339(C)
- Unit Number : CXX8340(D)
- Unit Number : CXX8341(E)
- Unit Number : CXX8342(F)
- Unit Name : Service Unit(Mother I/F)
- Unit Number : CXX8373
- Unit Name : Service Unit(Monitor)
- Unit Number : CWX4609
- Unit Name : DVD Core Unit
- Unit Number : CXX8413
- Unit Name : Service Unit(Keyboard)
- Unit Number : EXX2001
- Unit Name : PCB Unit(Service)

MISCELLANEOUS

IC 101	(B,51,104) IC	NJW4181U3-33B
IC 111	(A,100,98) IC	NJW4184DL3-08A
IC 141	(A,125,63) IC	MM3479A33P
IC 160	(B,169,78) IC	RP132J001B-AE
IC 231	(B,121,71) IC	MM1856A50N
IC 241	(B,75,25) IC	MM3479A18P
IC 271	(B,147,31) IC	MM1856A58N
IC 301	(B,160,44) IC	AN33012UA
IC 351	(B,156,67) IC	KBD9876EFJ
*IC401	(A,50,40) IC	MN103LF15RXW
IC 601	(A,92,48) IC	MN1AA9010Z
IC 603	(B,152,93) IC	MC74VHC1GT08DFG
IC 851	(B,105,24) IC	MD56V82160A6TALA3L
IC 871	(B,79,55) Flash Memory IC(A)	W25Q64FVSSIG
IC 871	(B,79,55) Flash Memory IC(B,C,D,E,F)	W25Q16DVSSIG
IC 881	(B,79,43) Flash ROM Unit(A)	CWJ2177
IC 881	(B,79,43) Flash ROM Unit(B,C,D,E,F)	CWJ2175
IC 891	(A,125,57) IC	337S3959
IC 901	(B,111,57) IC	AK8814VQ
IC 931	(B,99,75) IC	NJM2283V
IC 1101	(B,138,52) IC	AK4223VQ
IC 1201	(B,138,82) IC	PM9015A
IC 1271	(B,114,87) IC	NJW1240V
IC 1301	(A,89,124) IC	PA2032A
IC 2004	(A,38,62) IC	MM3479A33P
IC 2201	(A,41,76) IC	TEF6686HN
IC 2401	(B,161,89) IC	AN33014UA
IC 2501	(A,144,28) IC	TC7SZ32FUS1
IC 3191	(B,156,103) IC	STCC2540IQ
IC 3221	(B,76,73) IC	TC75S57FU

Service Unit(Mother I/F)

Consists of

Mother PCB

Interface PCB



5		6		7		8	
<u>Circuit Symbol and No.</u>		<u>Part No.</u>		<u>Circuit Symbol and No.</u>		<u>Part No.</u>	
IC 3231	(B,84,75) IC	BH7673G		D 3105	(A,34,111) Diode	DZ2J039M0	
IC 3232	(B,90,81) IC	BH7673G		D 3152	(B,143,103) Diode	DZ2S180C	
IC 3233	(B,112,72) IC	BH7673G		D 3153	(A,151,109) Diode	DZ2S180C	A
IC 3234	(B,99,84) IC	BH7673G		D 3154	(A,159,108) Diode	DZ2S180C	
IC 4001	(B,26,33) IC(A)	TC7SH126FU		D 3191	(A,163,104) Diode	EZAEG2A50AX	
IC 4002	(B,22,36) IC(A)	MC74VHC1GT08DFG		D 3192	(A,163,102) Diode	EZAEG2A50AX	
Q 11	(B,73,98) Transistor	HN1C01FU		L 1	(A,61,105) Choke Coil 600 uH	CTH1221	
Q 21	(B,60,130) Transistor	LTC014EEB		L 2	(A,159,75) Choke Coil 10 uH	CTH1486	
Q 31	(B,65,127) Transistor	LTC014EEB		L 301	(A,167,32) Choke Coil	CTH1381	
Q 51	(B,41,127) Transistor	LSAR523UB		L 302	(A,157,31) Coil	CTH1519	
Q 61	(B,52,130) Transistor	LSAR523UB		L 351	(A,154,61) Coil	CTH1524	
Q 211	(B,127,34) Transistor	2SCR573DG		L 402	(A,129,40) Chip Beads	VTL1126	
Q 212	(B,118,35) Transistor	LTC014EEB		L 403	(A,130,40) Chip Beads	VTL1126	
Q 301	(A,168,45) Transistor	ATP112-H		L 404	(A,132,40) Chip Beads	VTL1126	B
Q 302	(A,158,43) Transistor	ATP112-H		L 700	(A,77,33) Chip Beads	VTL1126	
Q 401	(A,55,58) Transistor	LSCR523UB		L 701	(A,80,31) Chip Beads	VTL1126	
Q 402	(A,31,38) Transistor(C,D,E,F)	RN4982		L 702	(A,80,29) Chip Beads	VTL1126	
Q 403	(B,60,56) Transistor(C,D,E,F)	RN4982		L 703	(A,81,31) Chip Beads	VTL1126	
Q 404	(B,39,38) Transistor(C,D,E,F)	RN4982		L 704	(A,82,29) Chip Beads	VTL1126	
Q 405	(B,65,54) Transistor(C,D,E,F)	RN4982		L 705	(A,82,31) Chip Beads	VTL1126	
Q 821	(B,80,69) Transistor	LSCR523UB		L 706	(A,83,29) Chip Beads	VTL1126	
Q 892	(A,125,53) Transistor	LSAR523UB		L 707	(A,83,31) Chip Beads	VTL1126	
Q 931	(B,94,69) Transistor	LSCR523UB		L 708	(A,84,29) Chip Beads	VTL1126	
Q 932	(B,89,72) Transistor	LSCR523UB		L 709	(A,85,31) Chip Beads	VTL1126	
Q 933	(B,86,71) Transistor	LSCR523UB		L 710	(A,85,29) Chip Beads	VTL1126	C
Q 1271	(B,126,88) Transistor	LTC044EEB		L 711	(A,86,31) Chip Beads	VTL1126	
Q 1301	(A,97,111) Chip Transistor	RN1903		L 712	(A,86,29) Chip Beads	VTL1126	
Q 1303	(A,90,109) Transistor	LSCR523UB		L 713	(A,87,31) Chip Beads	VTL1126	
Q 3051	(B,79,87) Transistor	HN1B04FU		L 714	(A,88,29) Chip Beads	VTL1126	
Q 3101	(A,27,111) Chip Transistor	2SD2114K		L 715	(A,88,31) Chip Beads	VTL1126	
Q 3102	(A,31,110) Transistor	RN4984		L 716	(A,89,29) Chip Beads	VTL1126	
Q 3103	(A,24,110) Transistor	RN4984		L 717	(A,89,31) Chip Beads	VTL1126	
D 1	(B,68,107) Diode	D1F60-5053		L 718	(A,90,29) Chip Beads	VTL1126	
D 2	(B,68,104) Diode	D1F60-5053		L 719	(A,91,31) Chip Beads	VTL1126	
D 3	(A,157,81) Diode	RB080L-30		L 720	(A,92,30) Chip Beads	VTL1126	
D 11	(B,74,101) Diode	DZ2J062M0		L 721	(A,94,29) Chip Beads	VTL1126	
D 12	(B,69,97) Diode	DZ2J068M0		L 722	(A,95,29) Chip Beads	VTL1126	
D 21	(B,60,127) Diode	DA2J101		L 723	(A,96,29) Chip Beads	VTL1126	
D 32	(B,67,129) Diode	DZ2J056M0		L 724	(A,97,31) Chip Beads	VTL1126	
D 41	(A,75,118) Diode	CRG03		L 725	(B,93,31) Chip Beads	VTL1126	
D 51	(B,43,125) Diode	DA2J101		L 750	(A,111,36) Inductor	CTF1645	
D 61	(B,51,127) Diode	DA2J101		L 851	(B,99,36) Inductor	CTF1786	
D 101	(B,67,96) Diode	D1F60-5053		L 852	(A,113,36) Inductor	CTF1645	
D 212	(B,120,33) Diode	DZ2J062M0		L 871	(B,85,52) Inductor	CTF1786	
D 301	(A,163,42) Diode	RB056L-40		L 881	(B,85,44) Inductor	CTF1786	
D 302	(A,159,36) Diode	RB056L-40		L 882	(B,85,50) Inductor	CTF1740	E
D 351	(A,155,66) Diode	RB056L-40		L 901	(B,119,65) Coil	LCYA2R7J2016	
D 401	(B,63,52) Diode	DB2J31400		L 902	(B,109,47) Coil	LCYA2R7J2016	
D 403	(B,60,47) Diode	DB2J31400		L 903	(B,105,66) Chip Beads	VTL1126	
D 1301	(A,82,110) Diode	DA2J101		L 904	(A,114,56) Chip Beads	VTL1126	
D 1302	(A,93,106) Diode	DZ2J082M0		L 905	(A,110,55) Chip Beads	VTL1126	
D 2201	(B,22,104) Diode	EZAEG2A50AX		L 906	(A,114,55) Chip Beads	VTL1126	
D 2202	(A,37,94) Diode	EZAEG2A50AX		L 907	(A,110,54) Chip Beads	VTL1126	
D 2203	(A,36,90) Diode	EZAEG2A50AX		L 908	(A,114,54) Chip Beads	VTL1126	
D 2401	(B,156,87) Diode	RB060M-30		L 909	(A,110,53) Chip Beads	VTL1126	
D 2402	(A,155,87) Diode	D1F60-5053		L 910	(A,115,53) Chip Beads	VTL1126	
D 3101	(A,23,117) Diode	DZ2S180C		L 911	(A,111,52) Chip Beads	VTL1126	
D 3102	(A,29,116) Diode	DZ2S180C		L 2201	(A,49,66) Inductor	CTF1749	F
D 3103	(A,36,116) Diode	DZ2S180C		L 2203	(A,33,86) Inductor	LCYC150K1608	
D 3104	(A,33,116) Diode	DZ2S180C		L 2204	(A,34,92) Inductor	CTF1389	

	1	2	3	4
	<u>Circuit Symbol and No.</u>	<u>Part No.</u>	<u>Circuit Symbol and No.</u>	<u>Part No.</u>
	L 2205 (A,39,94) Inductor	LCMAR27J1608	VL2201 (A,40,87) Variable Coil	CTC1216
	L 2401 (A,161,86) Inductor	CTH1524		
	L 2402 (B,156,83) Inductor	CTF1793		
A	L 2503 (A,145,31) Chip Beads	VTL1126		
	L 3053 (B,76,77) Chip Beads(A)	VTL1126		
	L 3054 (A,78,74) Chip Beads(A)	VTL1126	R 11 (B,76,100)	RS1/16SS103J
	L 3055 (A,77,73) Chip Beads(A)	VTL1126	R 12 (B,76,102)	RS1/16SS473J
	L 3101 (A,23,118) Chip Beads	VTL1126	R 13 (B,73,102)	RS1/16SS472J
	L 3102 (A,33,117) Chip Beads	VTL1126	R 16 (B,71,96)	RS1/16SS104J
	L 3103 (A,35,117) Chip Beads	VTL1126	R 17 (B,71,97)	RS1/16SS473J
	L 3104 (A,28,117) Chip Beads	VTL1126	R 18 (B,56,109)	RS1/4SA102J
	L 3151 (A,158,109) Chip Beads	VTL1126	R 21 (B,58,127)	RS1/16SS103J
	L 3152 (A,164,109) Chip Beads	VTL1126	R 22 (B,63,129)	RS1/16SS472J
	L 3153 (A,152,110) Chip Beads	VTL1126	R 23 (B,57,125)	RS1/4SA102J
B	L 3154 (A,149,108) Chip Beads	VTL1126	R 31 (B,64,124)	RS1/4SA102J
	L 3155 (B,141,105) Chip Beads	VTL1126	R 32 (B,69,127)	RS1/16SS103J
	L 3156 (B,143,105) Chip Beads	VTL1126	R 51 (B,39,125)	RS1/16SS102J
	L 3157 (A,137,109) Chip Beads	VTL1126	R 52 (B,39,127)	RS1/16SS473J
	L 3161 (A,142,109) Chip Beads	VTL1126	R 53 (B,43,127)	RS1/16SS223J
	L 3162 (A,142,108) Chip Beads	VTL1126	R 54 (B,46,127)	RS1/16SS103J
	L 3163 (A,134,108) Chip Beads	VTL1126	R 61 (B,48,127)	RS1/16SS223J
	L 3164 (A,130,109) Chip Beads	VTL1126	R 62 (B,49,126)	RS1/16SS102J
	L 3165 (A,127,108) Chip Beads	VTL1126	R 63 (B,54,130)	RS1/16SS473J
	L 3166 (A,123,108) Chip Beads	VTL1126	R 64 (B,54,127)	RS1/16SS103J
C	L 3191 (A,161,103) Coil	ATH7015	R 160 (B,159,80)	RS1/16SS5601D
	L 3231 (B,116,77) Coil	LCYA100J2016	R 161 (B,161,80)	RS1/16SS1202D
	L 4001 (B,72,32) Chip Beads	VTL1126	R 211 (B,122,34)	RS1/10SR101J
	L 4002 (B,72,27) Chip Beads	VTL1126	R 212 (B,119,33)	RS1/16SS910J
	L 4003 (B,60,11) Chip Beads	VTL1126	R 213 (B,122,38)	RS1/10SR102J
	L 4004 (B,60,16) Chip Beads	VTL1126	R 301 (B,151,40)	RS1/16SS561J
	L 4005 (B,161,47) Chip Beads	VTL1126	R 302 (B,151,42)	RS1/16SS3302D
	L 4006 (B,159,44) Chip Beads	VTL1126	R 303 (B,152,43)	RS1/16SS4301D
	X 401 (A,50,56) Resonator 12.500MHz	CSS1839	R 304 (B,151,43)	RS1/16SS3601D
	X 601 (A,78,68) Resonator 24 MHz	CSS1773	R 305 (B,153,44)	RS1/16SS123J
	X 2201 (A,50,73) Resonator 9.216MHz	CSS1867	R 306 (B,166,39)	RS1/16SS103J
D	△ P211 (A,134,38) Fuse 2A	CEK1402	R 308 (B,164,49) 11 mohm	CCN1341
	P 2001 (A,74,89) Poly Switch(A)	FSMD110-24R	R 309 (B,165,38)	RS1/16SS204J
	P 2201 (B,20,104) Surge Absorber	IMSA-6803-01Y900	R 310 (B,166,38)	RS1/16SS394J
	△ P3051 (A,132,12) Fuse 750mA	CEK1398	R 311 (B,158,49) 12 mohm	CCN1321
	P 3152 (B,147,102) Poly Switch	FSMD075-24R	R 312 (B,154,41)	RS1/16SS224J
	P 3161 (B,102,107) Poly Switch	FSMD075-24R	R 313 (B,168,43)	RS1/16SS472J
	P 4001 (A,102,29) Poly Switch	FSMD075-24R	R 314 (B,168,40)	RS1/16SS1101D
	P 4003 (B,81,12) Poly Switch	FSMD075-24R	R 315 (B,168,39)	RS1/16SS3000D
	CN403 (A,127,35) Connector	CKS6095	R 316 (B,168,42)	RS1/16SS1002D
	CN2501 (A,151,10) Connector	VKN1620	R 317 (B,170,41)	RS1/16SS511J
E	CN2901 (A,52,12) Connector	CKS6346	R 318 (B,172,40)	RS1/10SR0R0J
	CN3051 (A,90,79) Connector	CKS6645	R 322 (B,166,42)	RS1/16SS473J
	CN3202 (A,114,13) Connector	CKS6646	R 323 (B,166,41)	RS1/16SS473J
	CN4001 (A,145,26) Connector	CKS4497	R 351 (B,153,61)	RS1/16SS4701D
	CN4004 (B,87,46) Connector	CKS6605	R 352 (B,153,62)	RS1/16SS4702D
	JA1 (A,55,124) Connector	CKM1613	R 353 (B,152,64)	RS1/16SS2202D
	JA2201 (A,14,119) Antenna Jack	YKS5041	R 354 (B,156,62)	RS1/16SS332J
	JA3101 (A,30,133) Jack	CKN1106	R 359 (A,151,53)	RS1/8SQ0R0J
	JA3151 (A,150,114) RCA Jack	CKB1110	R 360 (B,155,58)	RS1/8SQ331J
	JA3161 (A,122,114) RCA Jack	CKB1113	R 401 (A,64,55)	RS1/16SS472J
F	JA3191 (A,168,100) Jack	CKN1118	R 402 (A,62,52)	RS1/16SS102J
	JA4001 (A,52,16) Jack	CKN1101	R 403 (B,62,53)	RS1/16SS103J
	JA4002 (A,15,13) Connector(A)	CKS6495	R 405 (A,60,54)	RS1/16SS471J
	JA4003 (A,41,15) Jack	CKS6437	R 406 (A,59,56)	RS1/16SS473J
	JA4004 (A,163,34) RCA Jack	CKB1106	R 407 (A,59,54)	RS1/16SS471J

RESISTORS

5		6		7		8	
<u>Circuit Symbol and No.</u>		<u>Part No.</u>		<u>Circuit Symbol and No.</u>		<u>Part No.</u>	
R 408	(A,58,56)	RS1/16SS473J		R 501	(A,65,38)	RS1/16SS101J	
R 409	(B,58,39)	RS1/16SS273J		R 502	(A,66,38)	RS1/16SS221J	
R 410	(A,57,54)	RS1/16SS681J		R 503	(A,65,39)	RS1/16SS221J	
R 411	(B,54,51)	RS1/16SS472J		R 504	(A,66,39)	RS1/16SS221J	A
R 412	(B,53,51)	RS1/16SS472J		R 505	(B,61,41)	RS1/16SS104J	
R 413	(A,56,54)	RS1/16SS473J		R 506	(B,54,32)	RS1/16SS0R0J	
R 414	(A,55,60)	RS1/16SS473J		R 508	(B,60,49)	RS1/16SS103J	
R 415	(A,55,53)	RS1/16SS473J		R 510	(A,62,28)	RS1/16SS473J	
R 417	(A,54,54)	RS1/16SS104J		R 511	(A,65,47)	RS1/16SS471J	
R 418	(B,52,51)	RS1/16SS102J		R 512	(A,66,44)	RS1/16SS472J	
R 419	(A,50,53)	RS1/16SS0R0J		R 513	(A,64,48)	RS1/16SS471J	
R 420	(B,44,55)	RS1/16SS102J		R 514	(A,66,43)	RS1/16SS472J	
R 421	(A,44,59)	RS1/16SS104J		R 515	(A,65,49)	RS1/16SS221J	
R 422	(A,42,53)	RS1/16SS473J		R 518	(A,38,50)	RS1/16SS0R0J	
R 423	(A,41,55)	RS1/16SS473J		R 519	(B,63,55) (C,D,E,F)	RS1/16SS6800D	B
R 424	(A,40,55)	RS1/16SS121J		R 524	(B,64,58) (C,D,E,F)	RS1/16SS8201D	
R 425	(A,39,55)	RS1/16SS104J		R 525	(B,37,36) (C,D,E,F)	RS1/16SS8201D	
R 426	(A,38,55)	RS1/16SS121J		R 526	(B,61,54) (A,B)	RS1/16SS102J	
R 430	(A,36,47)	RS1/16SS102J		R 526	(B,61,54)(C,D,E,F)	RS1/16SS1001D	
R 431	(A,36,49)	RS1/16SS473J		R 527	(A,127,40)	RS1/16SS0R0J	
R 435	(B,41,44)	RS1/16SS682J		R 528	(A,128,40)	RS1/16SS0R0J	
R 437	(B,39,44)	RS1/16SS0R0J		R 602	(A,113,30)	RS1/10SR0R0J	
R 441	(A,36,43)	RS1/16SS0R0J		R 603	(A,107,64)	RS1/16SS473J	
R 447	(A,36,38) (A,B)	RS1/16SS102J		R 605	(A,109,63)	RS1/16SS473J	
R 447	(A,36,38)(C,D,E,F)	RS1/16SS1001D		R 614	(A,99,67) (A)	RS1/16SS0R0J	C
R 448	(A,34,38) (C,D,E,F)	RS1/16SS6800D		R 615	(A,98,67) (A)	RS1/16SS0R0J	
R 453	(A,37,34)	RS1/16SS101J		R 616	(A,97,67)	RS1/16SS473J	
R 454	(A,128,43)	RS1/16SS473J		R 619	(B,85,62)	RS1/16SS0R0J	
R 455	(A,127,43)	RS1/16SS473J		R 620	(A,91,67)	RS1/16SS1R0J	
R 456	(A,129,42)	RS1/16SS681J		R 621	(B,84,63)	RS1/16SS1R0J	
R 457	(A,40,26)	RS1/16SS822J		R 622	(B,85,64)	RS1/16SS0R0J	
R 458	(A,41,27)	RS1/16SS471J		R 623	(B,84,64)	RS1/16SS0R0J	
R 460	(A,45,27)	RS1/16SS473J		R 625	(B,82,63)	RS1/16SS473J	
R 463	(B,44,32)	RS1/16SS104J		R 627	(B,79,67)	RS1/16SS473J	
R 464	(B,44,31)	RS1/16SS473J		R 628	(B,77,65)	RS1/16SS0R0J	
R 465	(A,48,27)	RS1/16SS473J		R 629	(A,79,65)	RS1/16SS105J	D
R 466	(A,37,42)	RS1/16SS222J		R 630	(A,81,67)	RS1/16SS102J	
R 467	(A,52,25)	RS1/16SS104J		R 631	(B,73,64)	RS1/16SS102J	
R 468	(B,51,26)	RS1/16SS473J		R 632	(A,74,62)	RS1/16SS0R0J	
R 471	(A,53,26)	RS1/16SS221J		R 633	(A,77,63)	RS1/16SS0R0J	
R 472	(A,54,26)	RS1/16SS221J		R 636	(B,73,62)	RS1/16SS104J	
R 474	(A,56,26)	RS1/16SS221J		R 637	(B,77,63)	RS1/16SS473J	
R 475	(A,57,26)	RS1/16SS221J		R 639	(B,77,61)	RS1/16SS473J	
R 476	(A,58,25)	RS1/16SS221J		R 641	(B,81,61)	RS1/16SS103J	
R 479	(A,59,25)	RS1/16SS104J		R 642	(B,81,60)	RS1/16SS103J	
R 480	(A,67,26) (E,F)	RS1/16SS104J		R 643	(A,73,56)	RS1/16SS4701D	E
R 481	(A,65,26) (B,C,D)	RS1/16SS104J		R 644	(A,73,57)	RS1/16SS1201D	
R 482	(A,67,27) (C,D)	RS1/16SS104J		R 645	(A,75,57)	RS1/16SS0R0J	
R 483	(A,65,27) (B,E,F)	RS1/16SS104J		R 646	(A,74,54)	RS1/16SS0R0J	
R 484	(A,67,28) (B,D,F)	RS1/16SS104J		R 651	(A,73,52)	RS1/16SS0R0J	
R 485	(A,65,28) (C,E)	RS1/16SS104J		R 653	(B,70,53)	RS1/16SS101J	
R 486	(A,67,30)	RS1/16SS104J		R 654	(B,71,52)	RS1/16SS101J	
R 489	(A,65,31)	RS1/16SS104J		R 685	(A,114,33)	RS1/10SR0R0J	
R 493	(B,58,35)	RS1/16SS103J		R 686	(B,155,94)	RS1/16SS473J	
R 494	(B,61,35)	RS1/16SS221J		R 687	(B,152,96)	RS1/16SS103J	
R 495	(A,65,36)	RS1/16SS104J		R 688	(B,154,96)	RS1/16SS473J	
R 496	(B,58,36)	RS1/16SS103J		R 700	(A,98,69) (A)	RS1/16SS473J	F
R 497	(B,61,36)	RS1/16SS221J		R 701	(A,77,30)	RS1/16SS180J	
R 499	(B,58,37)	RS1/16SS104J		R 703	(A,79,31)	RS1/16SS473J	
R 500	(B,58,38)	RS1/16SS104J		R 704	(A,80,27)	RS1/16SS390J	

	1	2	3	4
	<u>Circuit Symbol and No.</u>	<u>Part No.</u>	<u>Circuit Symbol and No.</u>	<u>Part No.</u>
	R 705 (A,80,25)	RS1/16SS390J	R 863 (B,111,36)	RAB4CQ181J
	R 706 (A,81,27)	RS1/16SS390J	R 864 (B,112,27)	RS1/16SS0R0J
	R 707 (A,82,25)	RS1/16SS390J	R 872 (B,77,51)	RS1/16SS0R0J
A	R 708 (A,82,27)	RS1/16SS390J	R 873 (B,78,51)	RS1/16SS0R0J
	R 709 (A,83,25)	RS1/16SS390J	R 877 (B,84,56)	RS1/16SS101J
	R 710 (A,83,27)	RS1/16SS390J	R 878 (B,84,57)	RS1/16SS101J
	R 711 (A,84,25)	RS1/16SS390J	R 882 (B,85,39)	RS1/16SS101J
	R 712 (A,85,27)	RS1/16SS390J	R 883 (B,81,37)	RS1/16SS0R0J
	R 713 (A,85,25)	RS1/16SS390J	R 884 (B,76,37)	RS1/16SS101J
	R 714 (A,86,27)	RS1/16SS390J	R 885 (B,75,37)	RS1/16SS101J
	R 715 (A,86,25)	RS1/16SS390J	R 886 (B,83,50)	RS1/16SS271J
	R 716 (A,87,27)	RS1/16SS390J	R 887 (B,85,48)	RS1/16SS101J
	R 717 (A,88,25)	RS1/16SS390J	R 888 (B,76,50)	RS1/16SS101J
	R 718 (A,88,27)	RS1/16SS390J	R 892 (A,129,55)	RS1/16SS473J
B	R 719 (A,89,25)	RS1/16SS390J	R 893 (A,125,55)	RS1/16SS183J
	R 720 (A,89,27)	RS1/16SS390J	R 895 (A,128,56)	RS1/16SS222J
	R 721 (A,90,25)	RS1/16SS390J	R 896 (A,122,58)	RS1/16SS222J
	R 726 (B,93,33)	RS1/16SS101J	R 897 (A,115,59)	RS1/16SS220J
	R 727 (B,95,34)	RS1/16SS0R0J	R 898 (A,121,56)	RS1/16SS222J
	R 729 (A,91,27)	RS1/16SS560J	R 902 (B,107,66)	RS1/16SS820J
	R 730 (A,92,28)	RS1/16SS331J	R 904 (B,115,63)	RS1/16SS103J
	R 732 (A,95,27)	RS1/16SS151J	R 906 (A,116,56)	RS1/16SS561J
	R 733 (A,99,27)	RS1/16SS560J	R 908 (A,112,55)	RS1/16SS561J
	R 734 (A,98,28)	RS1/16SS560J	R 910 (A,116,55)	RS1/16SS561J
	R 735 (A,97,29)	RS1/16SS560J	R 912 (A,112,54)	RS1/16SS561J
C	R 736 (A,108,33)	RS1/16SS472J	R 914 (A,116,54)	RS1/16SS561J
	R 739 (A,112,36)	RS1/16SS82R0D	R 916 (A,112,53)	RS1/16SS561J
	R 792 (A,112,38)	RS1/16SS47R0D	R 918 (A,116,53)	RS1/16SS561J
	R 793 (A,108,34)	RS1/16SS472J	R 920 (A,113,52)	RS1/16SS561J
	R 794 (A,110,34)	RS1/16SS472J	R 921 (B,114,51)	RS1/16SS103J
	R 795 (B,105,40)	RS1/16SS472J	R 922 (B,114,49)	RS1/16SS271J
	R 797 (B,106,42)	RS1/16SS472J	R 923 (B,113,51)	RS1/16SS271J
	R 798 (B,106,43)	RS1/16SS472J	R 924 (B,111,49)	RS1/16SS181J
	R 802 (A,117,47)	RS1/16SS103J	R 925 (B,112,51)	RS1/16SS103J
	R 805 (A,113,47)	RS1/16SS473J	R 926 (B,113,49)	RS1/16SS103J
D	R 806 (A,114,49)	RS1/16SS473J	R 930 (B,107,50)	RS1/10SR0R0J
	R 813 (A,110,60)	RS1/16SS472J	R 931 (B,105,56)	RS1/16SS6801D
	R 814 (A,110,61)	RS1/16SS0R0J	R 932 (B,112,63)	RS1/16SS104J
	R 815 (A,113,61)	RS1/16SS473J	R 933 (B,113,63)	RS1/16SS104J
	R 816 (A,112,61)	RS1/16SS0R0J	R 934 (B,105,48)	RS1/16SS0R0J
	R 821 (B,82,67)	RS1/16SS103J	R 935 (B,93,81)	RS1/16SS0R0J
	R 822 (B,78,68)	RS1/16SS0R0J	R 938 (B,94,71)	RS1/16SS0R0J
	R 823 (B,76,69)	RS1/16SS104J	R 941 (B,93,68)	RS1/16SS471J
	R 824 (B,77,69)	RS1/16SS153J	R 944 (B,90,70)	RS1/16SS471J
	R 825 (B,80,70)	RS1/16SS471J	R 947 (B,83,71)	RS1/16SS471J
	R 827 (A,113,51)	RS1/16SS0R0J	R 948 (B,91,75)	RS1/16SS104J
E	R 828 (A,111,51)	RS1/16SS0R0J	R 949 (B,95,79)	RS1/16SS104J
	R 841 (A,112,84)	RAB4CQ103J	R 950 (B,91,68)	RS1/16SS0R0J
	R 851 (B,96,18)	RAB4CQ121J	R 951 (B,87,70)	RS1/16SS0R0J
	R 852 (B,96,21)	RAB4CQ121J	R 952 (B,85,69)	RS1/16SS0R0J
	R 853 (B,106,36)	RAB4CQ181J	R 953 (B,100,81)	RS1/16SS104J
	R 854 (B,103,36)	RAB4CQ181J	R 960 (B,118,67)	RS1/16SS0R0J
	R 855 (B,101,36)	RAB4CQ181J	R 970 (B,115,47)	RS1/16SS222J
	R 856 (B,114,16)	RAB4CQ121J	R 971 (B,114,47)	RS1/16SS222J
	R 857 (B,114,21)	RAB4CQ121J	R 1113 (B,140,41)	RS1/16SS75R0D
	R 858 (B,113,25)	RS1/16SS121J	R 1114 (B,138,43)	RS1/16SS104J
F	R 859 (B,114,30)	RS1/16SS181J	R 1115 (B,136,41)	RS1/16SS75R0D
	R 860 (B,113,30)	RS1/16SS181J	R 1116 (B,134,43)	RS1/16SS2200D
	R 861 (B,98,26)	RS1/16SS101J	R 1117 (B,127,48)	RS1/16SS0R0J
	R 862 (B,115,36)	RAB4CQ181J	R 1118 (B,132,48)	RS1/16SS75R0D

5		6		7		8	
<u>Circuit Symbol and No.</u>		<u>Part No.</u>		<u>Circuit Symbol and No.</u>		<u>Part No.</u>	
R 1119	(B,137,43)	RS1/16SS101J		R 2407	(B,163,96)	RS1/16SS152J	
R 1120	(B,136,43)	RS1/16SS101J		R 2408	(B,162,96)	RS1/16SS3302D	
R 1122	(B,141,43)	RS1/16SS101J		R 2409	(B,166,95)	RS1/16SS8201D	
R 1123	(B,140,43)	RS1/16SS101J		R 2410	(B,158,99)	RS1/16SS102J	A
R 1124	(B,143,43)	RS1/16SS101J		R 2413	(B,168,89)	RS1/16SS394J	
R 1125	(B,142,43)	RS1/16SS101J		R 2414	(B,167,89)	RS1/16SS204J	
R 1131	(B,147,60)	RS1/16SS101J		R 2416	(B,161,84)	RS1/16SS0R0J	
R 1132	(B,145,60)	RS1/16SS101J		R 2420	(B,168,88)	RS1/16SS104J	
R 1133	(B,144,60)	RS1/16SS101J		R 2421	(A,171,87) 0.039 ohm	CCN1325	
R 1134	(B,135,63)	RS1/16SS101J		R 2505	(A,158,16)	RS1/16SS471J	
R 1135	(B,134,63)	RS1/16SS101J		R 2506	(A,157,15)	RS1/16SS221J	
R 1136	(B,133,63)	RS1/16SS101J		R 2507	(A,156,15)	RS1/16SS221J	
R 1141	(B,144,41) (B,C,D,E)	RS1/16SS0R0J		R 2508	(A,155,18)	RS1/16SS221J	
R 1142	(B,135,42)	RS1/10SR0R0J		R 2509	(A,154,18)	RS1/16SS221J	
R 1143	(B,132,47)	RS1/16SS470J		R 2510	(A,153,15)	RS1/16SS221J	B
R 1144	(B,145,47) (B,C,D,E)	RS1/16SS104J		R 2511	(A,145,33)	RS1/10SR121J	
R 1145	(B,146,47) (B,C,D,E)	RS1/16SS101J		R 2516	(B,148,18)	RS1/10SR0R0J	
R 1148	(B,142,47) (A)	RS1/16SS0R0J		R 2901	(A,64,18)	RS1/16SS102J	
R 1149	(B,144,50) (A)	RS1/16SS0R0J		R 2906	(A,70,18)	RS1/16SS101J	
R 1214	(B,136,99)	RS1/16SS0R0J		R 2908	(B,48,14)	RS1/16SS102J	
R 1228	(B,141,72)	RS1/16SS0R0J		R 2912	(A,56,18)	RS1/16SS271J	
R 1232	(B,135,98)	RS1/16SS0R0J		R 2913	(A,56,19)	RS1/16SS271J	
R 1236	(A,128,87)	RS1/10SR0R0J		R 2915	(A,56,20)	RS1/16SS271J	
R 1271	(B,125,86)	RS1/16SS103J		R 2917	(A,50,19)	RS1/16SS0R0J	
R 1272	(B,120,82)	RS1/16SS684J		R 2918	(A,47,19)	RS1/16SS222J	
R 1286	(B,120,84)	RS1/16SS100J		R 2919	(A,49,21)	RS1/16SS0R0J	C
R 1287	(B,120,87)	RS1/16SS102J		R 2920	(A,45,19)	RS1/16SS102J	
R 1301	(A,97,113)	RS1/16SS683J		R 2921	(A,44,19)	RS1/16SS102J	
R 1302	(A,99,113)	RS1/16SS683J		R 3058	(B,81,90)	RS1/16SS562J	
R 1303	(A,99,115)	RS1/16SS152J		R 3059	(B,79,90)	RS1/16SS332J	
R 1304	(A,100,116)	RS1/16SS101J		R 3060	(B,79,85)	RS1/16SS103J	
R 1306	(A,75,114)	RS1/16SS103J		R 3061	(B,77,85)	RS1/16SS103J	
R 1308	(A,93,104)	RS1/16SS103J		R 3062	(B,81,88)	RS1/10SR222J	
R 1309	(A,88,109)	RS1/16SS104J		R 3118	(A,31,114)	RS1/16SS223J	
R 1310	(A,87,110)	RS1/16SS473J		R 3119	(A,32,113)	RS1/16SS223J	
R 1314	(A,81,115)	RS1/16SS473J		R 3126	(A,31,113)	RS1/16SS103J	D
R 1315	(A,79,114)	RS1/16SS102J		R 3127	(A,33,109)	RS1/16SS122J	
R 1316	(A,77,113)	RS1/16SS0R0J		R 3128	(A,29,111)	RS1/16SS152J	
R 2009	(B,35,44)	RS1/16SS102J		R 3129	(A,24,113)	RS1/16SS0R0J	
R 2015	(A,70,87) (A)	RS1/4SA0R0J		R 3152	(A,149,109)	RS1/16SS223J	
R 2204	(A,46,75)	RS1/16SS103J		R 3153	(A,148,108)	RS1/16SS223J	
R 2206	(A,45,74)	RS1/16SS103J		R 3162	(A,145,106)	RS1/16SS223J	
R 2207	(A,45,70)	RS1/16SS472J		R 3164	(A,143,106)	RS1/16SS223J	
R 2208	(A,44,69)	RS1/16SS472J		R 3168	(A,136,106)	RS1/16SS223J	
R 2209	(A,44,73)	RS1/16SS101J		R 3171	(A,134,106)	RS1/16SS223J	
R 2210	(A,43,72)	RS1/16SS101J		R 3174	(A,126,106)	RS1/16SS223J	
R 2212	(A,31,85)	RS1/16SS391J		R 3177	(A,125,106)	RS1/16SS223J	E
R 2213	(B,23,104)	RS1/16SS105J		R 3181	(B,103,111)	RS1/10SR0R0J	
R 2214	(A,30,92)	RS1/16SS105J		R 3193	(B,155,107)	RS1/16SS103J	
R 2242	(A,48,77)	RS1/16SS0R0J		R 3194	(B,156,100)	RS1/16SS2402D	
R 2243	(A,41,81)	RS1/16SS0R0J		R 3195	(B,153,105)	RS1/16SS102J	
R 2244	(A,40,81)	RS1/16SS0R0J		R 3196	(B,159,106)	RS1/16SS103J	
R 2246	(A,82,67)	RS1/10SR0R0J		R 3197	(B,156,106)	RS1/16SS103J	
R 2247	(B,82,9)	RS1/10SR0R0J		R 3221	(B,74,76)	RS1/16SS0R0J	
R 2401	(B,166,94)	RS1/16SS752J		R 3222	(B,80,74)	RS1/16SS271J	
R 2402	(B,159,99)	RS1/16SS102J		R 3223	(B,79,73)	RS1/16SS684J	
R 2403	(B,160,99)	RS1/16SS102J		R 3224	(B,76,76)	RS1/16SS1802D	F
R 2404	(B,157,99)	RS1/16SS102J		R 3225	(B,79,75)	RS1/16SS1302D	
R 2405	(B,164,83)	RS1/16SS224J		R 3226	(B,73,73)	RS1/16SS682J	
R 2406	(B,161,83)	RS1/16SS1202D		R 3227	(B,73,74)	RS1/16SS103J	

1

Circuit Symbol and No.

R 3229 (A,73,49)
 R 3231 (B,99,82)
 R 3232 (B,108,69)
 R 3233 (B,92,78)
 R 4008 (A,94,28)
 R 4009 (B,128,39)
 R 4010 (B,127,38)
 R 4011 (B,124,39)
 R 4012 (B,153,21)

2

Part No.

RS1/16SS0R0J
 RS1/16SS101J
 RS1/16SS101J
 RS1/16SS101J
 RAB4CQ750J
 RS1/16SS223J
 RS1/16SS223J
 RS1/16SS562J
 RS1/16SS102J

3

Circuit Symbol and No.

C 160 (B,161,77) 10 uF
 C 161 (B,159,78) 10 uF
 C 211 (B,131,38)
 C 212 (B,120,36)
 C 213 (B,124,38)
 C 214 (A,124,47)
 C 231 (B,124,72)

4

Part No.

CCG1192
 CCG1192
 CKSSYB102K50
 CKSSYB104K10
 CKSRYB105K16
 CEVW101M16
 CKSRYB105K10

R 4013 (B,148,21)
 R 4014 (B,146,21)
 R 4015 (B,140,21)
 R 4019 (B,125,41)
 R 4020 (B,123,41)

RS1/16SS102J
 RS1/16SS471J
 RS1/16SS471J
 RS1/16SS272J
 RS1/16SS272J

C 232 (B,118,71)
 C 241 (B,79,25)
 C 242 (B,76,21)
 C 243 (B,73,27)
 C 271 (B,147,28)

CKSRYB105K10
 CKSRYB105K10
 CKSRYB105K10
 CKSSYB104K10
 CKSRYB105K16

R 4033 (B,46,29) (A)
 R 4034 (B,43,29) (A)
 R 4035 (B,44,29) (A)
 R 4036 (B,42,30) (A)
 R 4037 (B,42,28) (A)

RS1/16SS471J
 RS1/16SS223J
 RS1/16SS223J
 RS1/16SS181J
 RS1/16SS181J

C 272 (B,147,34)
 C 301 (B,152,42)
 C 302 (B,153,45)
 C 303 (B,155,44)
 C 304 (B,166,43)

CKSRYB105K16
 CCSSCH471J50
 CKSSYB103K16
 CCSSCH8R0D50
 CCSSCH8R0D50

R 4038 (B,6,31) (A)
 R 4039 (B,19,33) (A)
 R 4045 (B,7,29) (A)
 R 4048 (B,156,46)
 R 4064 (B,17,40) (A)

RS1/10SR822J
 RS1/10SR471J
 RS1/16SS104J
 RS1/16SS75R0D
 RS1/16SS471J

C 305 (B,168,44)
 C 306 (B,168,41)
 C 307 (B,165,33)
 C 308 (B,165,34)
 C 309 (B,164,30) 10 uF/16 V

CKSSYB103K16
 CCSSCH102J50
 CKSSYB102K50
 CKSSYB104K10
 DCH1263

R 4065 (B,142,27)

RS1/16SS103J

C 310 (B,164,32) 10 uF/16 V
 C 311 (B,165,27) 47 uF
 C 316 (B,166,40)
 C 319 (B,166,44)
 C 320 (B,152,46)

DCH1263
 CCG1229
 CKSSYB104K10
 CKSSYB104K16
 CKSSYB104K16

CAPACITORS

C 1 (B,67,127)
 C 4 (A,164,64) 4 700 uF/16 V
 C 5 (A,167,75) 10 uF
 C 6 (A,165,73)
 C 7 (B,50,123)

CKSRYB104K50
 CCH1328
 CCG1236
 CKSSYB102K50
 CCSSCH102J50

C 321 (B,154,40)
 C 322 (B,153,41)
 C 324 (B,157,30) 47 uF
 C 325 (B,158,32) 10 uF
 C 326 (B,158,34) 10 uF

CKSSYB104K10
 CKSRYB105K10
 CCG1229
 CCG1192
 CCG1192

C 8 (B,51,111)
 C 9 (B,48,123)
 C 10 (B,50,111)
 C 11 (B,54,109)
 C 12 (B,45,123)

CCSSCH102J50
 CCSSCH102J50
 CCSSCH102J50
 CKSSYB102K50
 CCSSCH102J50

C 327 (B,159,36)
 C 328 (B,159,37)
 C 330 (B,162,49)
 C 331 (B,160,49)
 C 334 (B,160,51) 10 uF

CKSSYB104K10
 CKSSYB102K50
 CKSRYB473K50
 CKSSYB102K50
 CCG1236

C 13 (B,49,111)
 C 14 (B,43,123)
 C 15 (B,48,111)
 C 16 (B,52,111)
 C 17 (B,53,123)

CCSSCH102J50
 CCSSCH102J50
 CCSSCH102J50
 CKSSYB102K50
 CKSSYB102K50

C 351 (A,160,54)
 C 352 (A,154,54)
 C 353 (A,154,56) 10 uF
 C 356 (B,155,62)
 C 357 (B,159,63)

CEVW470M16
 CKSSYB103K16
 CCG1192
 CKSSYB682K25
 CKSSYB103K16

C 18 (B,60,125)
 C 19 (B,55,123)
 C 21 (B,62,129)
 C 23 (B,67,124)
 C 24 (B,69,109)

CKSSYB102K50
 CKSSYB102K50
 CKSRYB105K10
 CKSSYB102K50
 CKSSYB102K50

C 358 (B,161,72) 10 uF
 C 359 (B,157,73)
 C 401 (A,53,56)
 C 402 (A,48,53)
 C 403 (A,46,56)

CCG1236
 CKSRYB103K50
 CCSSCH100D50
 CCSSCH120J50
 CKSRYB105K10

C 41 (A,72,122)
 C 101 (A,61,93)
 C 102 (B,50,107)
 C 103 (B,48,104)
 C 104 (A,70,94)

CKSSYB104K16
 CEHAT331M16
 CKSRYB104K50
 CKSSYB104K10
 CEVW470M16

C 404 (A,46,54)
 C 405 (A,43,55)
 C 406 (A,44,54)
 C 407 (A,45,53)
 C 408 (A,36,48)

CKSSYB104K10
 CKSRYB105K10
 CKSSYB104K10
 CKSSYB104K10
 CKSSYB104K10

C 111 (A,94,93) 1 uF
 C 112 (A,101,91)
 C 114 (A,96,93)
 C 115 (A,111,94) 4.7 uF
 C 116 (A,113,98)

CCG1325
 CKSSYB104K16
 CKSRYB104K50
 CCG1222
 CCSRCH101J50

C 409 (A,38,32)
 C 410 (A,36,32)
 C 411 (A,129,45)
 C 414 (A,51,27)
 C 415 (A,50,26)

CKSSYB104K10
 CKSRYB105K10
 CKSSYB104K10
 CKSSYB104K10
 CKSRYB105K10

C 141 (A,122,62)
 C 142 (A,124,66)
 C 143 (A,126,66)

CKSRYB105K10
 CKSRYB105K10
 CKSSYB104K10

C 419 (A,64,53) 0.1 uF
 C 420 (A,66,53)
 C 421 (A,65,53)

CCG1321
 CKSSYB103K16
 CCSSCH102J50

1

2

3

4

5		6	7		8	
<u>Circuit Symbol and No.</u>		<u>Part No.</u>	<u>Circuit Symbol and No.</u>		<u>Part No.</u>	
C 422	(A,63,45)	CKSSYB104K10	C 656	(A,109,28)	CCSRCH102J50	
C 423	(A,64,45)	CKSRYB105K10	C 657	(A,109,31) 0.1 uF	CCG1321	
C 424	(B,59,45)	CKSSYB104K10	C 658	(A,110,31)	CCSRCH102J50	A
C 425	(A,63,50)	CKSSYB104K10	C 661	(A,112,32) 10 uF	CCG1192	
C 427	(A,63,55)	CKSSYB104K10	C 664	(A,112,28) 10 uF	CCG1192	
C 429	(A,66,46)	CKSSYB104K10	C 668	(B,85,20)	CCSSCH560J50	
C 430	(A,66,48)	CKSSYB104K10	C 669	(B,83,20)	CCSSCH560J50	
C 432	(A,64,41)	CKSSYB104K10	C 670	(B,83,24)	CCSSCH560J50	
C 433	(B,59,44)	CKSSYB104K10	C 671	(B,82,24)	CCSSCH560J50	
C 436	(A,63,39)	CCSSCH471J50	C 672	(B,81,21)	CCSSCH560J50	
C 601	(A,103,65)	CKSSYB104K10	C 673	(B,80,21)	CCSSCH560J50	
C 602	(A,102,66)	CKSRYB104K16	C 674	(B,90,24)	CCSSCH560J50	
C 603	(A,98,65)	CKSSYB104K10	C 675	(B,90,20)	CCSSCH560J50	
C 604	(A,97,66)	CKSSYB104K10	C 676	(B,86,25)	CCSSCH560J50	B
C 605	(A,94,65)	CKSSYB104K10	C 677	(B,85,25)	CCSSCH560J50	
C 606	(A,92,68)	CKSSYB104K10	C 678	(B,87,18)	CCSSCH560J50	
C 607	(A,91,70)	CKSRYB105K10	C 679	(B,86,19)	CCSSCH560J50	
C 608	(B,85,60)	CKSSYB104K10	C 680	(B,91,27)	CCSSCH560J50	
C 609	(B,83,61)	CKSRYB105K10	C 681	(B,90,26)	CCSSCH560J50	
C 610	(B,84,66)	CKSSYB104K10	C 682	(B,92,20)	CCSSCH560J50	
C 611	(B,83,66)	CKSSYB104K10	C 683	(B,92,25)	CCSSCH560J50	
C 612	(B,79,65)	CKSSYB104K10	C 684	(B,91,20)	CCSSCH560J50	
C 613	(A,81,69)	CCSSCH120J50	C 685	(B,88,25)	CCSSCH560J50	
C 614	(A,75,67)	CCSSCH100D50	C 687	(A,92,26)	CCSSCH330J50	
C 616	(B,73,63)	CKSSYB104K10	C 691	(A,100,26)	CCSSCH330J50	C
C 617	(A,75,63)	CKSSYB104K10	C 692	(A,104,26)	CCSSCH330J50	
C 618	(B,80,61)	CKSSYB104K10	C 700	(A,110,36)	CCSSCH8R0D50	
C 619	(B,78,59) 1 uF	DCH1246	C 821	(B,76,67) 10 uF	CCG1192	
C 620	(A,76,55) 1 uF	DCH1246	C 823	(A,85,68)	CKSRYB105K10	
C 621	(A,75,54)	CKSSYB104K10	C 824	(A,84,71)	CKSRYB105K10	
C 622	(A,76,53)	CKSSYB104K10	C 851	(B,97,14)	CKSSYB104K10	
C 624	(A,74,51)	CKSSYB104K10	C 852	(B,97,16)	CKSSYB104K10	
C 625	(A,76,50)	CKSSYB104K10	C 853	(B,96,24)	CKSSYB104K10	
C 626	(A,75,45)	CKSSYB104K10	C 854	(B,98,23)	CKSSYB104K10	
C 627	(A,76,45)	CKSSYB104K10	C 855	(B,98,34)	CKSSYB104K10	
C 628	(A,76,38)	CKSSYB104K10	C 856	(B,112,23)	CKSSYB104K10	D
C 629	(A,75,37)	CKSSYB104K10	C 857	(B,112,18)	CKSSYB104K10	
C 631	(B,82,34)	CKSRYB104K16	C 858	(B,114,26)	CCSSCH8R0D50	
C 632	(B,85,34)	CKSSYB104K10	C 871	(B,84,52)	CKSSYB104K10	
C 633	(B,87,33)	CKSRYB104K16	C 882	(B,85,43)	CKSSYB104K10	
C 634	(B,90,34)	CKSRYB104K16	C 891	(A,122,52)	CKSSYB104K10	
C 635	(A,94,32)	CKSRYB104K16	C 892	(A,123,54)	CKSSYB104K10	
C 636	(A,99,30)	CKSSYB104K10	C 893	(A,122,56)	CKSSYB103K16	
C 637	(A,99,32)	CKSRYB104K16	C 894	(B,84,60)	CKSSYB102K50	
C 638	(A,102,32)	CKSRYB104K16	C 901	(B,110,64)	CCSSCH560J50	
C 639	(A,109,36)	CKSRYB104K16	C 902	(B,117,63) 10 uF	CCG1192	
C 641	(A,109,39)	CKSRYB104K16	C 903	(B,116,57)	CKSSYB104K10	E
C 642	(A,110,42)	CKSRYB104K16	C 904	(B,109,52)	CKSSYB103K16	
C 643	(A,109,43)	CKSSYB104K10	C 905	(B,105,54)	CKSSYB103K16	
C 644	(A,109,45)	CKSRYB104K16	C 906	(B,105,52) 10 uF	CCG1192	
C 645	(A,109,48)	CKSRYB104K16	C 907	(B,107,53)	CKSSYB103K16	
C 646	(A,110,52)	CKSSYB104K10	C 908	(B,106,47) 10 uF	CCG1192	
C 647	(A,109,52)	CKSSYB104K10	C 909	(B,105,57)	CKSSYB103K16	
C 648	(A,108,56)	CKSSYB104K10	C 910	(B,112,65)	CKSSYB104K10	
C 649	(A,108,61)	CKSSYB104K10	C 912	(B,110,63)	CKSSYB104K10	
C 651	(B,88,37) 0.1 uF	CCG1321	C 931	(B,96,82) 10 uF	CCG1192	
C 652	(B,93,34)	CCSSCH330J50	C 932	(B,105,69) 10 uF	CCG1192	F
C 653	(A,76,28)	CCSSCH680J50	C 933	(B,91,77) 10 uF	CCG1192	
C 654	(B,152,98)	CKSRYB105K10	C 934	(B,94,74) 10 uF	CCG1192	
C 655	(B,152,91)	CKSSYB104K10	C 935	(B,96,80) 10 uF	CCG1192	

	1	2	3	4
	<u>Circuit Symbol and No.</u>	<u>Part No.</u>	<u>Circuit Symbol and No.</u>	<u>Part No.</u>
	C 936 (B,102,79) 10 uF	CCG1192	C 1229 (B,136,75)	CKSSYB104K10
	C 937 (B,101,68)	CKSSYB103K16	C 1231 (A,130,84)	CCSSCH151J50
A	C 938 (A,89,66)	CKSRYB105K10	C 1232 (A,130,86)	CKSSYB102K50
	C 939 (A,89,71)	CKSRYB105K10	C 1234 (A,143,86)	CCSSCH151J50
	C 940 (A,88,66)	CKSRYB105K10	C 1237 (B,127,81) 0.1 uF	CCG1311
	C 941 (A,87,71)	CKSRYB105K10	C 1238 (B,148,81) 0.1 uF	CCG1311
	C 942 (A,86,66)	CKSRYB105K10	C 1239 (A,143,97)	CKSSYB102K50
	C 943 (A,86,71)	CKSRYB105K10	C 1241 (A,135,77)	CKSSYB472K50
	C 944 (A,119,68)	CEVW470M16	C 1271 (B,105,87) 1 uF	CCG1325
	C 1101 (B,145,53)	CKSRYB105K10	C 1272 (B,119,92) 1 uF	CCG1325
	C 1102 (B,145,51)	CKSSYB104K10	C 1273 (B,121,92) 1 uF	CCG1325
	C 1106 (B,143,45)	CKSSYB104K10	C 1274 (B,123,92) 1 uF	CCG1325
	C 1108 (B,142,45)	CKSSYB104K10	C 1275 (B,125,92) 1 uF	CCG1325
B	C 1110 (B,141,45)	CKSSYB104K10	C 1276 (B,126,92) 1 uF	CCG1325
	C 1112 (B,140,45)	CKSSYB104K10	C 1277 (B,119,78) 1 uF	CCG1325
	C 1114 (B,139,45)	CKSSYB104K10	C 1278 (B,121,83) 1 uF	CCG1325
	C 1115 (B,135,60)	CKSRYB105K10	C 1279 (B,123,83) 1 uF	CCG1325
	C 1116 (B,138,45)	CKSSYB104K10	C 1280 (B,108,84) 1 uF	CCG1325
	C 1117 (B,134,60)	CKSRYB105K10	C 1282 (B,103,87) 1 uF	CCG1325
	C 1118 (B,137,45)	CKSSYB104K10	C 1283 (B,128,92) 1 uF	CCG1325
	C 1119 (B,133,60)	CKSRYB105K10	C 1301 (A,101,114) 4.7 uF	CCG1201
	C 1120 (B,136,45)	CKSSYB104K10	C 1304 (B,94,110)	CKSRYB474K16
	C 1122 (B,135,45)	CKSSYB104K10	C 1305 (B,84,110)	CKSRYB474K16
	C 1124 (B,134,45)	CKSSYB104K10	C 1306 (A,93,114)	CCG1322
C	C 1126 (B,133,45)	CKSSYB104K10	C 1307 (A,88,114) 4.7 uF	CCG1291
	C 1127 (B,128,51) 10 uF	CCG1192	C 1308 (A,83,111)	CCG1286
	C 1128 (B,132,50)	CKSSYB104K10	C 1313 (A,83,100) 4700 uF/16V	CCH2085
	C 1129 (B,132,51)	CKSSYB104K10	C 1315 (A,84,115) 0.1 uF	CCG1311
	C 1132 (B,131,56) 10 uF	CCG1192	C 1316 (A,85,111)	CCG1281
	C 1133 (B,130,52) 10 uF	CCG1192	C 1318 (B,91,110) 0.47 uF	CCG1317
	C 1134 (B,146,50) (B,C,D,E)	CKSSYB104K10	C 1319 (B,87,110) 0.47 uF	CCG1317
	C 1135 (B,131,48)	CCSSCH181J50	C 1320 (A,90,114) 4.7 uF	CCG1291
	C 1136 (B,144,57)	CKSRYB105K10	C 2010 (A,35,60)	CKSRYB105K10
	C 1137 (B,145,57)	CKSRYB105K10	C 2011 (A,43,61)	CKSRYB105K10
	C 1138 (B,146,57)	CKSRYB105K10	C 2017 (A,35,62)	CKSSYB104K10
D	C 1201 (B,131,87) (A)	CKSRYB105K10	C 2202 (A,51,64)	CKSSYB104K10
	C 1202 (A,136,91)	CEVW470M16	C 2203 (A,51,68)	CKSSYB104K10
	C 1203 (A,132,86)	CKSSYB104K10	C 2204 (A,52,67) 10 uF	CCG1192
	C 1206 (A,126,80)	CEVW470M16	C 2205 (A,41,68) 10 uF	CCG1192
	C 1207 (B,133,89) (A)	CKSRYB105K10	C 2206 (A,44,80)	CKSSYB104K10
	C 1208 (B,132,91)	CKSRYB105K10	C 2208 (A,42,81)	CKSSYB224K6R3
	C 1209 (B,134,91)	CKSRYB105K10	C 2209 (A,42,82)	CKSSYB102K50
	C 1210 (B,134,94)	CKSRYB105K10	C 2210 (A,38,80)	CKSSYB104K10
	C 1211 (B,135,94)	CKSRYB105K10	C 2212 (A,37,93)	CCSSCH220J50
	C 1212 (B,136,91)	CKSRYB105K10	C 2213 (A,37,91)	CCSSCH271J50
	C 1213 (B,137,91)	CKSRYB105K10	C 2216 (A,41,72)	CKSSYB104K10
E	C 1214 (B,138,94)	CKSRYB105K10	C 2219 (A,33,83)	CCSSCH102J50
	C 1215 (B,139,94)	CKSRYB105K10	C 2220 (A,34,95)	CCSSCH471J50
	C 1216 (B,139,91)	CKSRYB105K10	C 2224 (A,36,78)	CKSSYB152K50
	C 1217 (B,141,91)	CKSRYB105K10	C 2234 (A,35,95)	CCSSCH100D50
	C 1218 (B,141,94)	CKSRYB105K10	C 2238 (A,52,81)	CKSSYB102K50
	C 1219 (B,142,94)	CKSRYB105K10	C 2401 (B,167,93)	CKSSYB222K50
	C 1220 (B,143,91)	CKSRYB105K10	C 2402 (B,166,93)	CCSSCH270J50
	C 1221 (B,145,90) (A)	CKSRYB105K10	C 2403 (B,158,84)	CKSSYB104K16
	C 1222 (B,146,88) (A)	CKSRYB105K10	C 2404 (A,160,95)	CEVW470M16
	C 1223 (A,144,80)	CEVW470M16	C 2405 (A,168,94)	CEVW101M16
F	C 1224 (A,134,79) 10 uF	CCG1332	C 2406 (B,167,91)	CKSRYB105K10
	C 1225 (A,129,72)	CKSSYB104K10	C 2407 (B,163,83)	CKSSYB102K50
	C 1226 (A,135,70)	CEVW470M16	C 2408 (B,165,83)	CKSSYB472K25
	C 1228 (B,140,75)	CKSSYB104K10	C 2409 (B,160,83)	CKSSYB104K16

5		6		7		8	
<u>Circuit Symbol and No.</u>		<u>Part No.</u>		<u>Circuit Symbol and No.</u>		<u>Part No.</u>	
C 2410	(B,164,95)	CCSSCH681J50		C 4002	(B,22,37) (A)	CKSSYB104K10	
C 2412	(B,161,95) 0.1 uF	CCG1286		C 4004	(B,139,38)	CKSRYB102K50	
C 2414	(A,171,90)	CKSSYB104K10		C 4010	(B,62,15)	CKSSYB102K50	
C 2415	(A,167,87) 22 uF	CCG1254		C 4011	(B,61,14)	CKSSYB102K50	A
C 2504	(B,164,16)	CKSSYB104K16		C 4013	(A,9,28) (A)	CKSRYB104K50	
C 2506	(B,155,12)	CCSSCH221J50		C 4014	(B,143,42)	CKSSYB102K50	
C 2509	(A,142,28)	CKSSYB104K10		C 4015	(B,150,21)	CKSSYB102K50	
C 2512	(A,144,35)	CCSSCH390J50		C 4016	(B,151,21)	CKSSYB102K50	
C 2513	(A,167,18) 10 uF	CCG1192		C 4017	(B,144,21)	CCSSCH180J50	
C 2514	(A,168,18) 10 uF	CCG1192		C 4018	(B,142,21)	CCSSCH180J50	
C 2902	(B,47,12) 4.7 uF	CCG1201		C 4019	(B,73,28)	CKSSYB102K50	
C 2904	(B,50,16) 4.7 uF	CCG1201		C 4020	(B,73,31)	CKSSYB102K50	
C 2905	(B,47,10)	CKSSYB104K10		C 4023	(B,144,28)	CKSSYB102K50	
C 2906	(B,46,16)	CKSSYB104K10		C 4039	(B,157,45)	CKSSYB221K50	
C 2907	(A,32,23)	CEVW221M16		C 4040	(B,158,46)	CKSSYB102K50	B
C 2909	(A,48,19)	CKSRYB105K10		C 4041	(A,126,31)	CCSRCH102J50	
C 3006	(A,95,12) 10 uF	CCG1192		C 4042	(B,140,30)	CKSRYB102K50	
C 3007	(A,86,13)	CEVW101M16					
C 3010	(A,91,16)	CKSSYB102K50					
C 3125	(A,33,110)	CKSSYB471K50					
C 3126	(A,53,65)	CCSSCH102J50					
C 3127	(B,26,131)	CKSRYB102K50					
C 3128	(B,33,131)	CKSRYB102K50					
C 3129	(B,35,131)	CKSRYB102K50					
C 3130	(B,27,131)	CCSSCH101J50					
C 3151	(A,162,108)	CKSRYB104K50					
C 3152	(A,152,108)	CKSRYB104K50					
C 3154	(A,138,109)	CKSRYB104K50					
C 3156	(B,145,100)	CCSSCH271J50					
C 3157	(B,146,94)	CKSRYB102K50					
C 3161	(A,145,107) (A)	CCSSCH270J50					
C 3162	(A,143,107) (A)	CCSSCH270J50					
C 3163	(A,136,107) (A)	CCSSCH270J50					
C 3164	(A,134,107) (A)	CCSSCH270J50					
C 3165	(A,126,107) (A)	CCSSCH270J50					
C 3166	(A,125,107) (A)	CCSSCH270J50					
C 3167	(A,148,106) 4.7 uF	CCG1201					
C 3168	(A,140,106) 4.7 uF	CCG1201					
C 3169	(A,138,106) 4.7 uF	CCG1201					
C 3170	(A,131,105) 4.7 uF	CCG1201					
C 3171	(A,129,106) 4.7 uF	CCG1201					
C 3172	(A,122,105) 4.7 uF	CCG1201					
C 3191	(B,161,101) 10 uF	CCG1192					
C 3192	(B,155,99)	CKSSYB104K10					
C 3221	(B,76,75)	CKSSYB104K10					
C 3222	(B,78,75)	CKSSYB104K10					
C 3231	(B,81,75)	CKSSYB104K10					
C 3232	(B,114,76) 10 uF	CCG1192					
C 3233	(B,89,79)	CKSSYB104K10					
C 3234	(B,114,74)	CKSSYB104K10					
C 3235	(B,100,82)	CKSSYB104K10					
C 3236	(B,87,75)	CKSRYB105K10					
C 3237	(B,87,77)	CKSRYB105K10					
C 3238	(B,93,83)	CKSRYB105K10					
C 3239	(B,90,84)	CKSRYB105K10					
C 3240	(B,111,75)	CKSRYB105K10					
C 3241	(B,109,71)	CKSRYB105K10					
C 3242	(B,96,85)	CKSRYB105K10					
C 3243	(B,96,84)	CKSRYB105K10					
C 4001	(B,27,35) (A)	CKSSYB104K10					

B
Unit Number : CXX8373
Unit Name : Service Unit(Monitor)

MISCELLANEOUS

IC 5001	(A,115,23) IC	AK4187VN
IC 5101	(A,114,53) IC	OZ5271LN
IC 5201	(A,27,57) IC	R1290K103A
Q 5001	(A,127,27) Transistor	HN1C01FU
Q 5002	(A,135,26) Transistor	HN1C01FU
Q 5003	(A,130,31) Transistor	HN1C01FU
Q 5201	(A,32,63) Transistor	LTC024EEB
Q 5202	(A,20,60) Transistor	2SAR502UB
Q 5301	(A,38,59) Transistor	LSAR523UB
Q 5302	(A,40,54) Transistor	LSCR523UB
D 5005	(A,135,20) Diode	DZ2S068C
D 5006	(A,137,20) Diode	DZ2S068C
D 5101	(A,113,60) Diode	RB060M-30
D 5201	(A,22,51) Diode	DB2J41100
D 5202	(B,22,67) Diode	RB548W
D 5203	(B,24,67) Diode	RB548W
D 5204	(B,19,61) Diode	RB548W
L 5102	(A,110,60) Coil	CTH1558
L 5201	(A,21,55) Choke Coil 22 uH	CTH1426
L 5301	(A,22,45) Inductor	CTF1765

RESISTORS

R 5006	(A,117,20)	RS1/16SS201J
R 5010	(A,118,22)	RS1/16SS561J
R 5011	(A,118,23)	RS1/16SS161J
R 5012	(A,118,25)	RS1/16SS510J
R 5021	(A,128,25)	RS1/16SS1200D
R 5022	(A,128,24)	RS1/16SS39R0D
R 5024	(A,136,25)	RS1/16SS82R0D
R 5025	(A,136,24)	RS1/16SS56R0D

1

2

3

4

Circuit Symbol and No.**Part No.****Circuit Symbol and No.****Part No.**

R 5027	(A,131,28)	RS1/16SS82R0D	R 5314	(A,64,28)	RS1/16SS8R2J
R 5028	(A,132,28)	RS1/16SS39R0D	R 5315	(A,65,29)	RS1/16SS390J
R 5030	(A,129,27)	RS1/16SS272J	R 5316	(A,64,30)	RS1/16SS4R7J
R 5031	(A,137,26)	RS1/16SS272J	R 5317	(A,65,31)	RS1/16SS470J
R 5032	(A,132,31)	RS1/16SS272J	R 5319	(A,65,33)	RS1/16SS181J
R 5033	(A,77,10)	RS1/16SS183J	R 5320	(A,64,34)	RS1/16SS2R2J

R 5035	(B,127,56)	RS1/16SS0R0J	R 5321	(A,65,35)	RS1/16SS330J
R 5036	(B,128,55)	RS1/16SS0R0J	R 5322	(A,65,36)	RS1/16SS2R4J
R 5037	(B,129,56)	RS1/16SS0R0J	R 5323	(B,29,27)	RS1/16SS473J
R 5038	(A,124,27)	RS1/16SS272J	R 5324	(B,24,27)	RS1/16SS473J
R 5039	(A,124,28)	RS1/16SS1200D	R 5325	(B,25,29)	RS1/16SS473J

R 5040	(A,126,28)	RS1/16SS39R0D	R 5326	(B,27,29)	RS1/16SS473J
R 5041	(A,132,26)	RS1/16SS272J	R 5331	(A,39,61)	RS1/16SS153J
R 5042	(A,133,28)	RS1/16SS82R0D	R 5333	(A,38,61)	RS1/16SS105J
R 5043	(A,134,28)	RS1/16SS56R0D	R 5335	(A,39,57)	RS1/16SS153J
R 5044	(A,127,31)	RS1/16SS272J	R 5336	(A,38,55)	RS1/16SS472J

R 5045	(A,127,32)	RS1/16SS82R0D	R 5337	(A,36,55)	RS1/16SS101J
R 5046	(A,129,33)	RS1/16SS39R0D	R 5339	(A,35,50)	RS1/8SQ0R0J
R 5104	(B,115,56)	RS1/16SS104J	R 5340	(A,41,56)	RS1/16SS393J
R 5105	(B,111,51)	RS1/16SS104J	R 5341	(A,39,56)	RS1/16SS124J
R 5106	(B,108,56)	RS1/16SS102J			

R 5109	(A,112,48)	RS1/16SS563J			
R 5110	(A,115,49)	RS1/16SS104J	C 5001	(B,123,17)	CKSSYB103K16
R 5111	(A,116,49)	RS1/16SS101J	C 5002	(B,122,16)	CKSSYB103K16
R 5112	(A,118,57)	RS1/16SS102J	C 5003	(B,121,16)	CKSSYB103K16
R 5113	(A,118,56)	RS1/16SS3002D	C 5004	(B,118,19)	CKSSYB103K16

R 5114	(A,119,56)	RS1/16SS1001D	C 5005	(A,113,18) 10 uF	CCG1244
R 5119	(B,119,57)	RS1/16SS105J	C 5006	(A,114,27) 10 uF	CCG1244
R 5121	(B,120,55)	RS1/16SS683J	C 5007	(A,112,22)	CKSSYB104K10
R 5123	(A,111,57)	RS1/8SQ2R2J	C 5008	(A,115,20)	CKSSYB104K10
R 5201	(A,29,63)	RS1/16SS8201D	C 5015	(A,78,7)	CKSSYB104K10

R 5202	(A,29,61)	RS1/16SS6800D	C 5016	(A,78,10)	CKSSYB104K10
R 5203	(A,30,62)	RS1/16SS1502D	C 5017	(A,115,19) 1 uF	DCH1246
R 5206	(B,23,58)	RS1/16SS9102D	C 5018	(A,111,22) 1 uF	DCH1246
R 5207	(B,29,60)	RS1/16SS1802D	C 5101	(A,90,58) 10 uF/16 V	DCH1263
R 5208	(B,30,59)	RS1/16SS203J	C 5103	(A,100,58) 10 uF/16 V	DCH1263

R 5209	(B,30,56)	RS1/16SS104J	C 5104	(A,102,58) 10 uF/16 V	DCH1263
R 5210	(A,21,58)	RS1/16SS103J	C 5105	(A,110,52) 1 uF	CCG1382
R 5211	(A,33,58)	RS1/16SS472J	C 5106	(A,109,53) 1 uF	CCG1382
R 5212	(B,26,62)	RS1/16SS1003D	C 5108	(A,113,49) 1 uF	DCH1246
R 5213	(B,27,62)	RS1/16SS9101D	C 5109	(A,114,49)	CCSSCH101J50

R 5214	(A,20,51)	RS1/8SQ2R2J	C 5110	(A,119,61) 10 uF	CCG1236
R 5216	(A,31,53)	RS1/16SS1203D	C 5113	(A,120,57)	CKSRYB224K16
R 5217	(A,31,55)	RS1/16SS3001D	C 5120	(A,109,57)	CKSSYB332K50
R 5218	(A,33,54)	RS1/16SS1502D	C 5201	(A,34,60)	CKSSYB224K6R3
R 5219	(A,30,53)	RS1/16SS472J	C 5203	(A,34,62) 1 uF	DCH1246

R 5220	(A,28,51)	RS1/16SS0R0J	C 5204	(A,34,61)	CKSSYB224K6R3
R 5231	(A,21,63)	RS1/16SS103J	C 5205	(A,27,62)	CKSRYB224K16
R 5232	(A,16,59)	RS1/16SS332J	C 5206	(A,19,48)	CKSSYB472K50
R 5301	(A,62,16)	RS1/16SS4R7J	C 5207	(A,27,52)	CKSSYB102K50
R 5302	(A,63,16)	RS1/16SS560J	C 5208	(B,18,62) 1 uF	CCG1382

R 5303	(A,65,17)	RS1/16SS181J	C 5209	(B,30,53) 1 uF	DCH1246
R 5304	(A,64,18)	RS1/16SS2R2J	C 5210	(B,24,69) 1 uF	CCG1393
R 5305	(A,65,19)	RS1/16SS470J	C 5212	(B,26,65) 1 uF	CCG1393
R 5307	(A,65,21)	RS1/16SS390J	C 5213	(B,20,60)	CKSRYB104K50
R 5308	(A,64,22)	RS1/16SS4R7J	C 5214	(B,22,65)	CKSRYB104K50

R 5309	(A,65,23)	RS1/16SS101J	C 5215	(B,23,64)	CKSRYB104K50
R 5310	(A,64,24)	RS1/16SS8R2J	C 5217	(A,23,63) 4.7 uF	CCG1222
R 5311	(A,65,25)	RS1/16SS131J	C 5218	(A,33,56)	CKSSYB682K25
R 5313	(A,65,27)	RS1/16SS101J			

CAPACITORS

1

2

3

4

5			6			7			8		
<u>Circuit Symbol and No.</u>			<u>Part No.</u>			<u>Circuit Symbol and No.</u>			<u>Part No.</u>		
C 5219	(A,18,52)	4.7 uF	CCG1212			R 1004	(B,13,21)		RS1/16SS4702F		
C 5220	(A,28,63)		CCSSCH101J50			R 1007	(B,13,22)		RS1/16SS6801F		
C 5221	(B,26,63)		CKSSYB561K50			R 1019	(B,34,8)		RS1/16SS101J		A
C 5222	(A,24,49)	4.7 uF	CCG1222			R 1025	(B,37,7)		RS1/16SS101J		
C 5224	(A,30,55)		CKSSYB152K50			R 1027	(A,41,19)		RS1/16SS101J		
C 5301	(A,66,16)		CKSSYB102K50								
C 5302	(A,66,17)		CKSSYB104K16			R 1101	(B,16,58)		RS1/16SS104J		
C 5309	(A,66,24)		CKSSYB102K50			R 1102	(B,11,57)		RS1/16SS104J		
						R 1103	(B,15,62)		RS1/16SS4300F		
C 5310	(A,66,25)		CKSSYB104K16			R 1104	(B,12,59)		RS1/16SS5100F		
C 5311	(A,66,26)		CKSSYB102K50			R 1105	(B,18,55)		RS1/16SS4300F		
C 5312	(A,66,27)		CKSSYB104K10								
C 5321	(B,29,33)		CKSSYB102K50			R 1106	(B,10,58)		RS1/16SS5600F		
C 5323	(B,29,34)		CKSSYB104K16			R 1109	(B,7,58)		RS1/16SS3R3J		
						R 1110	(B,17,55)		RS1/16SS3R3J		
C 5325	(A,22,41)	10 uF	CCG1236			R 1111	(B,6,64)		RS1/10SR3R3J		B
C 5326	(A,24,45)		CKSSYB102K50			R 1112	(B,6,59)		RS1/10SR3R3J		
C 5329	(B,27,32)		CKSSYB102K50								
C 5330	(B,26,32)		CKSSYB104K10			R 1113	(B,16,60)		RS1/10SR3R9J		
C 5331	(A,18,41)	10 uF	CCG1192			R 1114	(B,20,58)		RS1/10SR3R3J		
						R 1115	(B,6,62)		RS1/10SR2R7J		
C 5334	(B,21,32)		CKSSYB104K16			R 1116	(B,6,63)		RS1/10SR2R7J		
C 5335	(A,14,39)	4.7 uF	CCG1222			R 1117	(B,18,60)		RS1/10SR3R9J		
C 5337	(A,14,44)		CKSQYB225K16								
C 5340	(A,9,41)		CKSQYB334K50			R 1118	(B,17,60)		RS1/10SR3R9J		
C 5342	(A,19,31)	1 uF	DCH1246			R 1223	(A,43,51)		RS1/16SS561J		
						R 1225	(B,30,8)		RS1/16SS471J		
C 5343	(A,38,62)		CKSSYB104K10			R 1251	(A,6,49)		RS1/16SS333J		
C 5344	(A,37,52)	10 uF	CCG1236			R 1252	(A,6,48)		RS1/16SS473J		C



Unit Number : CWX4609

Unit Name : DVD Core Unit

MISCELLANEOUS

IC 1002	(B,16,14)	IC	MM1886A50P			R 1253	(A,6,47)		RS1/16SS333J		
IC 1004	(B,65,29)	IC	NJM2855DL1-33			R 1254	(A,6,46)		RS1/16SS473J		
IC 1251	(A,13,42)	IC	BA5839FP			R 1255	(A,22,49)		RS1/16SS183J		
IC 1401	(B,28,41)	Flash ROM Unit	CWW8811			R 1256	(A,22,46)		RS1/16SS153J		
IC 1402	(B,46,29)	Flash ROM Unit	CWW8812			R 1257	(B,9,38)		RS1/16SS221J		
						R 1258	(A,20,39)		RS1/16SS221J		
IC 1480	(A,65,31)	IC	M12L64164A-5TG2Y			R 1401	(B,34,29)		RS1/16SS221J		
IC 1501	(A,40,34)	IC	MN2DS0018MA			R 1402	(B,35,48)		RS1/16SS104J		
IC 1953	(B,58,18)	IC	S-1135D12-A6			R 1405	(B,56,36)		RS1/16SS104J		
Q 1101	(B,13,60)	Transistor	LSCR523UB			R 1406	(B,40,46)		RS1/16SS472J		
Q 1102	(B,14,57)	Transistor	LSCR523UB			R 1480	(A,73,25)		RAB4CQ560J		D
						R 1481	(A,73,29)		RAB4CQ560J		
Q 1103	(B,10,63)	Transistor	2SB1132			R 1482	(A,73,33)		RAB4CQ560J		
Q 1104	(B,23,55)	Transistor	2SB1132			R 1483	(A,73,36)		RAB4CQ560J		
L 1501	(A,55,31)	Inductor	CTF1743			R 1484	(A,73,40)		RAB4CQ560J		
L 1511	(A,49,18)	Chip Beads	VTL1126								
L 1902	(A,18,18)	Inductor	CTF1487			R 1485	(A,56,23)		RAB4CQ560J		
						R 1486	(A,56,28)		RAB4CQ560J		
Q 1103	(B,10,63)	Transistor	2SB1132			R 1487	(A,57,38)		RAB4CQ560J		
Q 1104	(B,23,55)	Transistor	2SB1132			R 1488	(A,56,41)		RAB4CQ560J		
L 1501	(A,55,31)	Inductor	CTF1743			R 1489	(A,55,30)		RS1/16SS560J		
L 1511	(A,49,18)	Chip Beads	VTL1126								
L 1902	(A,18,18)	Inductor	CTF1487			R 1490	(A,73,22)		RS1/16SS560J		E
						R 1501	(B,49,21)		RS1/16SS122J		
L 1903	(B,64,17)	Inductor	CTF1558			R 1503	(B,47,21)		RS1/16SS105J		
L 1904	(A,69,19)	Resistor	RS1/16SS0R0J								
X 1501	(B,49,19)	Crystal Resonator	27.000MHz CSS1823			R 1504	(A,51,18)		RS1/16SS121J		
F 1001	(A,15,20)	Chip EMI Filter	DTF1106								
F 1002	(B,64,19)	Chip EMI Filter	DTL1106			R 1509	(A,21,35)		RS1/16SS102J		
						R 1510	(A,11,30)		RS1/16SS102J		
S 1	(A,47,56)	Lever Switch	CSN1090			R 1512	(A,56,32)		RS1/16SS470J		
S 3	(B,26,14)	Lever Switch	CSN1089			R 1513	(A,24,39)		RS1/16SS203J		
VR1101	(A,8,64)	Semi-fixed 6.8 kohm(B)	CCP1447			R 1514	(A,25,41)		RS1/16SS183J		
VR1102	(A,8,60)	Semi-fixed 15 kohm(B)	CCP1449								
CN1101	(A,22,64)	Connector	CKS6631			R 1516	(A,25,37)		RS1/16SS104J		F
						R 1517	(B,58,23)		RS1/16SS103J		
CN1952	(A,42,12)	Connector	CKS6025			R 1518	(B,34,32)		RS1/16SS103J		
						R 1522	(A,22,38)		RS1/16SS104J		
						R 1523	(A,23,38)		RS1/16SS221J		

RESISTORS

1

Circuit Symbol and No.

2

Part No.

3

Circuit Symbol and No.

4

Part No.

	R 1524	(B,30,34)	RS1/16SS472J	C 1112	(B,18,53) 22 uF	DCH1256
	R 1525	(A,25,45)	RS1/16SS103J	C 1113	(B,9,59) 22 uF	DCH1256
A	R 1526	(A,23,41)	RS1/16SS103J	C 1210	(B,77,34)	CKSSYB104K16
	R 1527	(A,36,49)	RS1/16SS682J	C 1251	(B,13,42)	CEVW101M16
	R 1528	(B,20,34)	RS1/16SS103J	C 1252	(B,8,42) 4.7 uF	CCG1222
	R 1529	(B,36,22)	RS1/16SS103J	C 1253	(B,8,40)	CKSSYB104K16
	R 1530	(B,18,34)	RS1/16SS103J	C 1254	(A,7,38)	CKSSYB104K16
	R 1531	(B,34,31)	RS1/16SS103J	C 1255	(A,19,38)	CKSSYB104K16
	R 1533	(A,29,49)	RS1/16SS104J	C 1401	(B,34,28)	CKSSYB104K16
	R 1534	(B,30,49)	RS1/16SS221J	C 1403	(B,40,41)	CKSSYB104K10
	R 1535	(A,23,45)	RS1/16SS104J	C 1408	(B,58,28)	CKSSYB104K10
	R 1536	(B,32,49)	RS1/16SS104J	C 1410	(B,34,30)	CKSSYB104K16
	R 1537	(A,25,47)	RS1/16SS104J	C 1480	(A,72,20)	CKSSYB104K10
B	R 1538	(A,56,36)	RS1/16SS104J	C 1481	(A,73,23)	CKSSYB104K10
	R 1539	(B,34,49)	RS1/16SS104J	C 1482	(A,73,27)	CKSSYB104K10
	R 1540	(A,27,47)	RS1/16SS221J	C 1484	(A,73,31)	CKSSYB104K10
	R 1541	(A,27,46)	RS1/16SS221J	C 1485	(A,73,42)	CKSSYB104K10
	R 1542	(B,27,35)	RS1/16SS103J	C 1487	(A,58,30)	CKSSYB104K10
	R 1546	(A,34,49)	RS1/16SS682J	C 1488	(A,58,26)	CKSSYB104K10
	R 1601	(A,33,18)	RS1/16SS123J	C 1489	(A,65,18) 10 uF	CCG1192
	R 1602	(A,33,19)	RS1/16SS123J	C 1490	(A,67,19)	CKSSYB102K50
	R 1603	(B,31,21)	RS1/16SS1002D	C 1501	(B,62,21) 10 uF	CCG1192
	R 1604	(A,24,21)	RS1/16SS105J	C 1502	(B,55,20) 10 uF	CCG1192
	R 1605	(A,23,24)	RS1/16SS105J	C 1503	(A,55,34)	CKSSYB104K10
C	R 1670	(B,41,20)	RS1/16SS1002D	C 1504	(A,54,25)	CKSSYB104K10
	R 1671	(B,43,20)	RS1/16SS2402D	C 1505	(A,54,28)	CKSSYB104K10
	R 1672	(A,40,19)	RS1/16SS2000D	C 1506	(B,53,35)	CKSSYB104K10
	R 1674	(A,39,18)	RS1/16SS3002D	C 1507	(A,54,37)	CKSSYB104K10
	R 1982	(A,11,63)	RS1/16SS822J	C 1508	(A,54,39)	CKSSYB104K10
	R 1983	(B,42,20)	RS1/16SS1000D	C 1509	(A,54,43)	CKSSYB104K10
	R 1990	(B,35,20)	RS1/16SS2000D	C 1510	(B,51,18)	CCSSCH120J50
	R 1991	(B,32,17)	RS1/16SS101J	C 1511	(A,49,19)	CKSSYB104K10
	R 1996	(B,36,14)	RS1/16SS2000D	C 1512	(B,46,19)	CCSSCH120J50
	R 1997	(B,36,11)	RS1/16SS101J	C 1513	(A,49,48)	CKSSYB104K10
	R 2002	(B,43,11)	RS1/16SS2000D	C 1514	(B,45,21)	CKSSYB104K10
D	R 2003	(B,43,9)	RS1/16SS101J	C 1515	(A,45,20)	CKSSYB104K10

CAPACITORS

	C 1002	(B,13,18)	CKSSYB104K16	C 1519	(A,35,48)	CKSSYB104K10
	C 1003	(B,16,19)	CKSSYB104K16	C 1520	(A,28,48)	CKSSYB104K10
	C 1004	(B,16,18) 4.7 uF	CCG1201	C 1521	(A,25,34)	CKSSYB104K10
	C 1005	(B,42,12)	CKSRYB105K16	C 1522	(A,25,39)	CKSSYB104K10
	C 1010	(B,61,24)	CKSQYB225K10	C 1523	(A,21,46)	CKSSYB104K10
	C 1011	(B,65,23)	CKSRYB105K10	C 1524	(A,21,49)	CKSSYB473K16
E	C 1015	(A,26,7)	CKSSYB102K50	C 1526	(A,25,38)	CKSSYB103K16
	C 1016	(B,64,16)	CKSSYB102K50	C 1528	(B,31,49)	CCSSCH471J50
	C 1018	(B,15,21)	CKSSYB104K10	C 1601	(A,33,20)	CKSSYB103K16
	C 1040	(B,60,13)	CCSRCH821J50	C 1602	(A,35,18)	CCSSCH101J50
	C 1041	(B,20,12)	CCSRCH271J50	C 1603	(A,34,19)	CCSSCH101J50
	C 1101	(B,15,54) 10 uF	CCG1192	C 1604	(A,31,18)	CCSSCH680J50
	C 1104	(B,8,57)	CKSSYB104K10	C 1605	(A,31,19)	CCSSCH680J50
	C 1105	(B,19,55)	CKSSYB104K10	C 1606	(A,36,20)	CKSSYB104K10
	C 1106	(B,8,66)	CKSSYB103K16	C 1607	(A,21,25) 10 uF	CCG1192
	C 1107	(B,26,54)	CKSSYB103K16	C 1608	(A,29,19) 4.7 uF	CCG1201
	C 1108	(A,20,57)	CKSSYB103K16	C 1609	(A,27,23)	CKSSYB104K10
F	C 1109	(A,8,58)	CKSRYB224K16	C 1612	(A,25,25)	CKSSYB104K10
	C 1110	(A,18,59)	CKSSYB103K16	C 1613	(A,25,26)	CKSSYB104K10
	C 1111	(A,10,67)	CKSRYB224K16	C 1614	(A,23,25)	CKSSYB104K10
				C 1615	(A,24,27)	CKSSYB104K10

1

2

3

4

5
Circuit Symbol and No.

C 1616 (A,25,28)
C 1617 (B,27,29)
C 1618 (A,23,30)
C 1619 (A,24,31)
C 1620 (B,28,31)

C 1621 (A,23,32)
C 1622 (A,25,32)
C 1623 (A,28,21)
C 1624 (A,25,33)
C 1625 (A,25,30)

C 1671 (A,43,20)
C 1673 (A,38,18)
C 1674 (B,43,21)
C 1676 (B,38,21)
C 1809 (B,41,18)

C 1953 (B,61,18)
C 1954 (B,55,18)
C 1955 (B,78,41)
C 1962 (B,41,21)

E

Unit Number : CXX8413

Unit Name : Service Unit(Keyboard)

MISCELLANEOUS

D 5501 (A,16,5) LED	SMLVN6RGB2UK(B)
D 5502 (A,152,5) LED	SMLVN6RGB2UK(B)
D 5503 (A,71,4) Diode	DZ2S068C
S 5501 (A,159,5) Push Switch	CSG1196
S 5502 (A,144,5) Push Switch	CSG1196
S 5503 (A,66,5) Push Switch	CSG1196
S 5504 (A,51,5) Push Switch	CSG1196
S 5505 (A,36,5) Push Switch	CSG1196
S 5506 (A,131,5) Push Switch	CSG1196
S 5507 (A,117,5) Push Switch	CSG1196
S 5508 (A,101,5) Push Switch	CSG1196
S 5509 (A,84,6) Push Switch	CSG1196
U 5501 (A,8,6) Remote Receiver Unit	RS-470
CN5501 (A,23,6) Connector	CKS6421

RESISTORS

R 5502 (A,9,3)	RS1/16SS470J
R 5503 (A,97,3)	RS1/16SS392J
R 5504 (A,107,3)	RS1/16SS472J
R 5505 (A,127,3)	RS1/16SS123J
R 5506 (A,46,3)	RS1/16SS182J
R 5507 (A,60,3)	RS1/16SS222J
R 5508 (A,136,3)	RS1/16SS472J
R 5509 (A,19,5)	RS1/16SS150J
R 5510 (A,149,5)	RS1/16SS150J
R 5511 (A,16,7)	RS1/16SS620J
R 5512 (A,149,4)	RS1/16SS620J
R 5513 (A,18,7)	RS1/16SS390J
R 5514 (A,149,3)	RS1/16SS390J

CAPACITORS

C 5507 (A,7,3) CKSSYB104K10

6
Part No.

CKSSYB104K10
CKSSYB104K10
CCSSCH101J50
CKSSYB562K25
CKSSYB224K6R3

CKSSYB224K6R3
CKSSYB333K16
CKSRYB105K10
CKSSYB104K10
CKSSYB104K10

CKSSYB104K10
CKSSYB104K10
CKSSYB104K10
CKSRYB105K10
CKSSYB102K50

CKSRYB105K10
CKSRYB105K10
CKSSYB104K16
CKSRYB105K10

7
Circuit Symbol and No.

F

Unit Number : EXX2001

Unit Name : PCB Unit(Service)

MISCELLANEOUS

IC 101 Driver IC	BA6288FS
VR101 Volume 10kohm	CCW1029
S 101 Switch(HOME)	CSN1067
S 102 Switch(HOME)	CSN1068
CN101 Connector	CKS4997

RESISTORS

R 101 (B,49,99)	RS1/16S221J
R 102 (B,49,101)	RS1/16S221J
R 103	RS1/16S0R0J

CAPACITORS

C 101	CEVW220M16
C 102	CKSRYB104K16