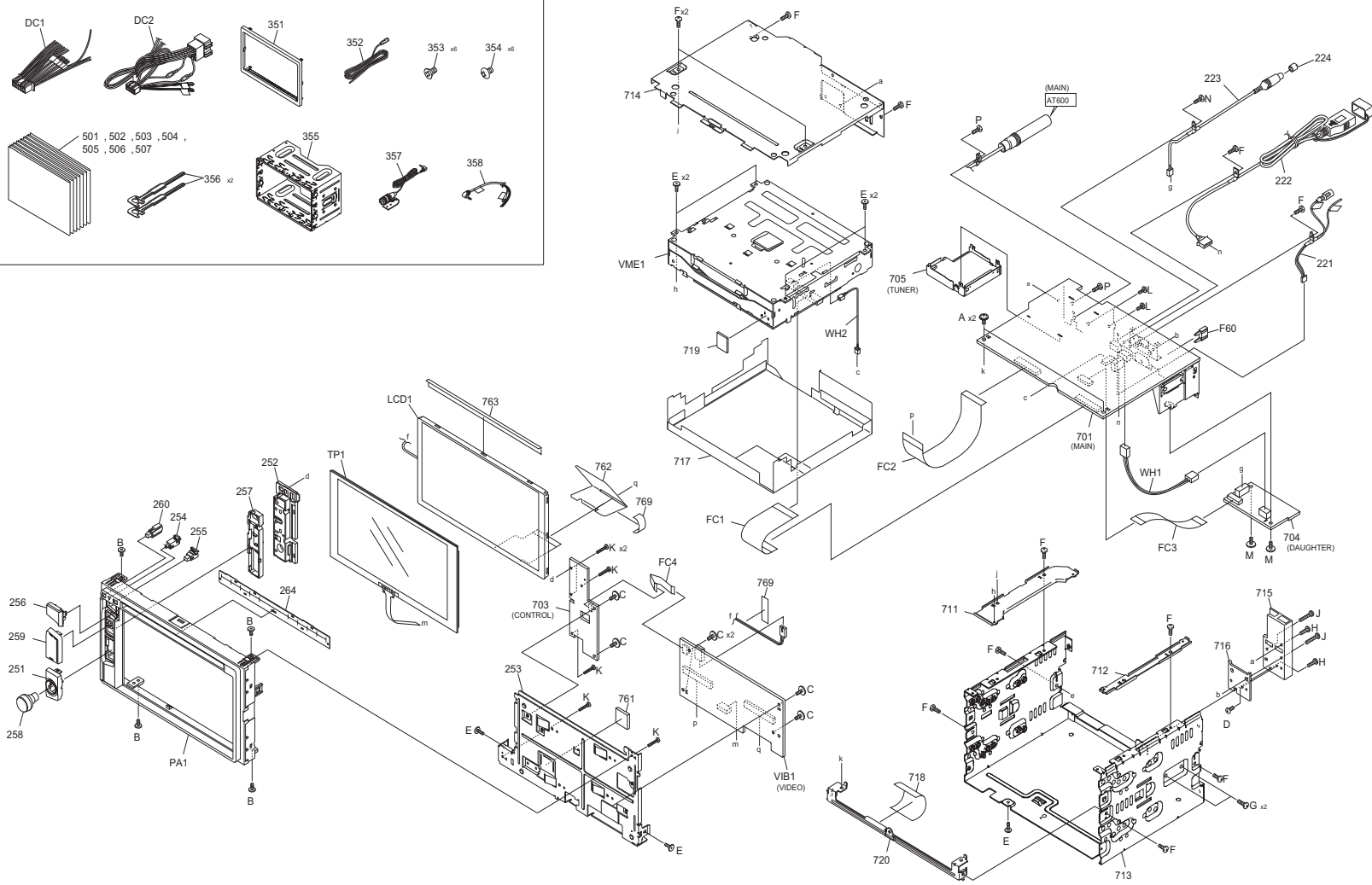
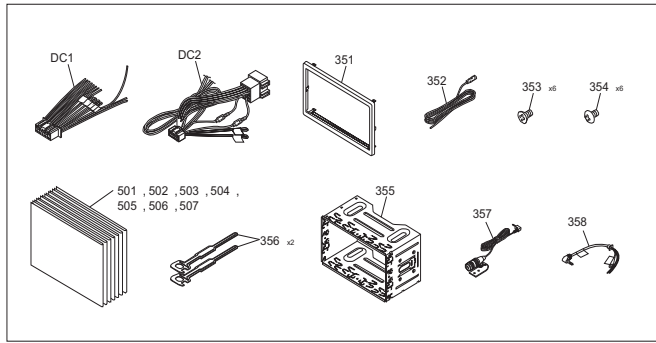


EXPLODED VIEW (UNIT)

Block No.M1MM



Parts with the exploded numbers larger than 700 are not supplied.

created date:2015-11-05

MODEL	MARK	MODEL	MARK	MODEL	MARK	MODEL	MARK
DDX23BT	K2	DDX373BT	K1	DDX393	K0	DDX4016BT	E1
DDX4016BT	X1	DDX4016BTR	Q1	DDX4016DAB	E2	DDX573BH	K4
DDX593	K3						

Safe	Symbol No.	Parts No.	Parts Name	Description	QTY	Local
------	------------	-----------	------------	-------------	-----	-------

EXPLODED VIEW (UNIT) <M1MM>

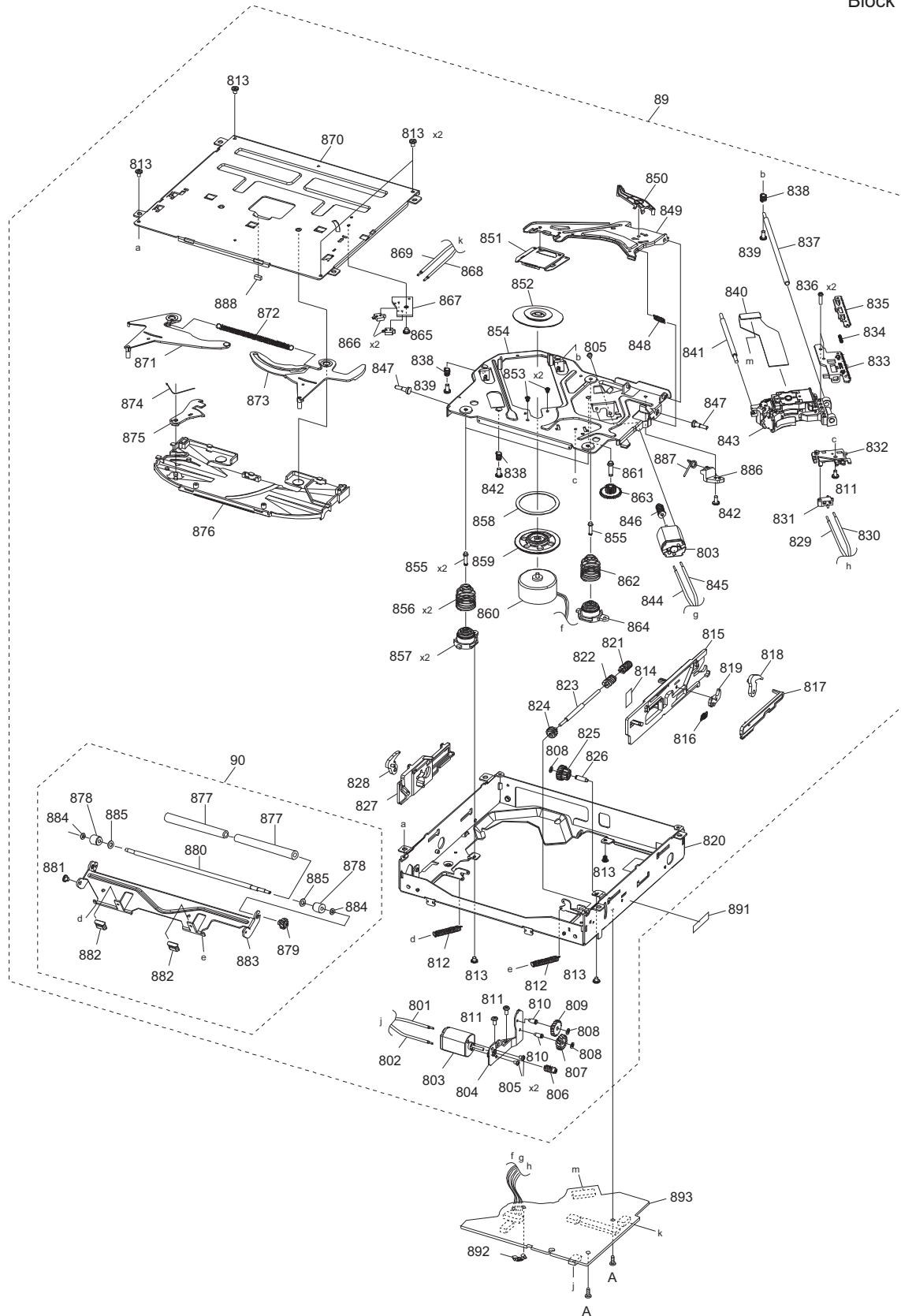
DC1		QAM1572-001	DC CORD		1	K2,K1,K0,X1,K4,K3
DC2		QAM1354-001	DC CORD		1	E1,Q1,E2
F60		FZB10BT-100	BLADE FUSE		1	
FC1		E3F-0147-00	FLAT CABLE		1	
FC2		E3F-0103-00	FLAT CABLE		1	
FC3		EF0AA052208BC	FLAT CABLE		1	K1,E1,X1,E2
FC3		E3F-0104-00	FLAT CABLE		1	K0,K4,K3
FC4		E3F-0105-00	FLAT CABLE		1	
LCD1		B3H-0014-10	LCD		1	
PA1		A6C-0005-0K	PANEL		1	K2
PA1		A6C-0005-0H	PANEL		1	K1
PA1		A6C-0005-0G	PANEL		1	K0
PA1		A6C-0005-0J	PANEL		1	E1,X1,Q1
PA1		A6C-0005-0F	PANEL		1	E2
PA1		A6C-0005-0E	PANEL		1	K4
PA1		A6C-0005-0D	PANEL		1	K3
TP1		W0C-0063-10	TOUCH PANEL		1	
VIB1		CB-16DDXVU1KN	VIDEO PWB ASSY	XJ8-0310-10	1	K2,K1,K0,E1,X1,Q1,E2
VIB1		CB-16DDXVU2KN	VIDEO PWB ASSY	XJ8-0310-11	1	K3
VME1		XJJ-0140-11	MECHANISM ASSY		1	
WH1		WJJ1273-001A-E	E-SI C WIRE C-C		1	K1,K0,K4,K3
WH2		WJN0345-001A-E	E-SH C WIRE C-C		1	
A		GE40377-002A	SPECIAL SCREW		2	
B		LV44159-005A	MINI SCREW		4	
C		LV44615-003A	SPECIAL SCREW		6	
D		QYSDSP2610ZA	SCREW	M2.6 x 10mm	1	
E		QYSDST2006ZA	TAP SCREW	M2 x 6mm	7	
F		QYSDST2606ZA	TAP SCREW	M2.6 x 6mm	12	
G		QYSDST2610ZA	TAP SCREW	M2.6 x 10mm	2	
H		QYSDST2614ZA	TAP SCREW	M2.6 x 14mm	2	
J		QYSDST2620ZA	TAP SCREW	M2.6 x 20mm	2	
K		VKZ4777-015	MINI SCREW		6	
L		QYSDSF2608ZA	TAP SCREW	M2.6 x 8mm	2	
M		GE40377-002A	SPECIAL SCREW		2	K1,K0,E1,X1,E2,K4,K3
N		QYSDST2606ZA	TAP SCREW	M2.6 x 6mm	1	K0,X1,K4,K3
P		QYSDST2606ZA	TAP SCREW	M2.6 x 6mm	2	E2
221		E3A-0045-01	CORD W.CON.		1	
222		E3A-0173-01	USB CORD		1	
223		E3A-0192-00	CORD W.CON.		1	K0,X1,K4,K3
224		GE40101-001A	PIN CAP		1	K0,X1,K4,K3
251		A2B-0008-0A	DRESSING PANEL		1	K2,K1,X1,K4
251		A2B-0008-09	DRESSING PANEL		1	K0,K3
251		A2B-0008-0B	DRESSING PANEL		1	E1,Q1,E2
252		B1K-0027-10	LIGHTING B ASSY		1	
253		J2B-0157-01	BRACKET ASSY		1	
254		K2A-0001-00	KNOB	RESET	1	
255		K2A-0002-00	KNOB	EJECT	1	
256		K2A-0003-02	KNOB	HOME	1	
257		K2K-0112-11	KNOB BASE		1	
258		K2K-0120-10	KNOB ASSY	VOLUME/MENU/CAMERA	1	
259		K2K-0140-0E	KNOB ASSY	AV/TEL	1	K2,K1,E1,X1,Q1,E2,K4
259		K2K-0140-0D	KNOB ASSY	AV/TEL	1	K0,K3
260		W1A-0003-00	LENS		1	
264		F1K-0005-00	BLIND PLATE		1	
351		B9H-0001-00	ESCUTCHEON		1	
352		QAM1355-002	CAR CABLE		1	
353		QYSSSP5008ZA	SCREW	M5 x 8mm	6	K2,K1,K0,X1,K4,K3
354		QYSTSP5008ZA	SCREW	M5 x 8mm	6	K2,K1,K0,X1,K4,K3
355		J2C-0006-00	MOUNTING ASSY		1	K2,K1,K0,E1,Q1,E2,K4
356		D1A-0007-00	LEVER		2	K3
357		QAN0126-001	MICROPHONE		1	
358		QAM1419-001	CAR CABLE		1	X1
501		B5A-0858-00	INST.MANUAL	ENG	1	K2,K1,K0,K4,K3
501		B5A-0860-00	INST.MANUAL	ENG	1	E1,Q1,E2
501		B5A-0859-00	INST.MANUAL	ENG	1	X1
502		B5A-0858-01	INST.MANUAL	FRE	1	K2,K1,K0,K4,K3
502		B5A-0860-01	INST.MANUAL	FRE	1	E1,E2
502		B5A-0860-07	INST.MANUAL	RUS	1	Q1
503		B5A-0858-02	INST.MANUAL	SPA	1	K2,K1,K0,K4,K3
503		B5A-0860-02	INST.MANUAL	GER	1	E1,E2
503		B5A-0860-08	INST.MANUAL	UKR	1	Q1
504		B5A-0860-03	INST.MANUAL	DUT	1	E1,E2
505		B5A-0860-04	INST.MANUAL	ITA	1	E1,E2
506		B5A-0860-05	INST.MANUAL	SPA	1	E1,E2
507		B5A-0860-06	INST.MANUAL	POR	1	E1,E2
701		-----	MAIN PWB ASSY	NO SERVICE PART	1	K2
701		-----	MAIN PWB ASSY	NO SERVICE PART	1	K1
701		-----	MAIN PWB ASSY	NO SERVICE PART	1	K0
701		-----	MAIN PWB ASSY	NO SERVICE PART	1	E1
701		-----	MAIN PWB ASSY	NO SERVICE PART	1	X1
701		-----	MAIN PWB ASSY	NO SERVICE PART	1	Q1
701		-----	MAIN PWB ASSY	NO SERVICE PART	1	E2
701		-----	MAIN PWB ASSY	NO SERVICE PART	1	K4
701		-----	MAIN PWB ASSY	NO SERVICE PART	1	K3
703		-----	CONTROL PWB ASSY	NO SERVICE PART	1	
704		-----	DAUGHTER PWB ASSY	NO SERVICE PART	1	K1
704		-----	DAUGHTER PWB ASSY	NO SERVICE PART	1	K0,K4,K3

MODEL	MARK	MODEL	MARK	MODEL	MARK	MODEL	MARK
DDX23BT	K2	DDX373BT	K1	DDX393	K0	DDX4016BT	E1
DDX4016BT	X1	DDX4016BTR	Q1	DDX4016DAB	E2	DDX573BH	K4
DDX593	K3						

Safe	Symbol No.	Parts No.	Parts Name	Description	QTY	Local
	704	-----	DAUGHTER PWB ASSY	NO SERVICE PART	1	E1,X1,E2
	705	-----	TUNER UNIT (MB)	NO SERVICE PART	1	E2
	705	-----	TUNER UNIT (MB)	NO SERVICE PART	1	K4,K3
	711	-----	BRACKET	NO SERVICE PART	1	
	712	-----	BRACKET	NO SERVICE PART	1	
	713	-----	CHASSIS	NO SERVICE PART	1	
	714	-----	TOP PLATE	NO SERVICE PART	1	
	715	-----	HEAT SINK	NO SERVICE PART	1	
	716	-----	HEAT SINK	NO SERVICE PART	1	
	717	-----	COVER ASSY	NO SERVICE PART	1	
	718	-----	SHEET	NO SERVICE PART	1	
	719	-----	CONDUCT CUSHION	NO SERVICE PART	1	
	720	-----	STAY	NO SERVICE PART	1	
	761	-----	COOL SHEET	NO SERVICE PART	1	
	762	-----	SHEET	NO SERVICE PART	1	
	763	-----	SHEET	NO SERVICE PART	1	
	769	-----	SPACER(H)	NO SERVICE PART	2	

EXPLODED VIEW (DVD MECHANISM: XJJ-0140-11)

Block No.MJMM



Parts with the exploded numbers larger than 800 are not supplied.

MODEL	MARK	MODEL	MARK	MODEL	MARK	MODEL	MARK
DDX23BT	K2	DDX373BT	K1	DDX393	K0	DDX4016BT	E1
DDX4016BT	X1	DDX4016BTR	Q1	DDX4016DAB	E2	DDX573BH	K4
DDX593	K3						

Safe	Symbol No.	Parts No.	Parts Name	Description	QTY	Local
------	------------	-----------	------------	-------------	-----	-------

EXPLODED VIEW (DVD MECHANISM: XJJ-0140-11) <MJMM>

A	LV44615-001A	SPECIAL SCREW			2	
89	D4A-0010-00	DVD DRIVE			1	
90	D4A-0011-00	ROLLAR ASSY			1	
801	-----	LEAD	NO SERVICE PART		1	
802	-----	LEAD	NO SERVICE PART		1	
803	-----	SLED MOTOR	NO SERVICE PART		2	
804	-----	MOTOR BRACKET	NO SERVICE PART		1	
805	-----	SCREW	NO SERVICE PART		3	
806	-----	MOTOR WORM	NO SERVICE PART		1	
807	-----	IDLER WHEEL A	NO SERVICE PART		1	
808	-----	WASHER	NO SERVICE PART		3	
809	-----	IDLER WHEEL B	NO SERVICE PART		1	
810	-----	IDLER WHEEL PIN	NO SERVICE PART		2	
811	-----	SCREW	NO SERVICE PART		3	
812	-----	UP LEVER SPRING	NO SERVICE PART		2	
813	-----	SCREW	NO SERVICE PART		7	
814	-----	CUSHION	NO SERVICE PART		1	
815	-----	LEVER R	NO SERVICE PART		1	
816	-----	SUB SPRING R	NO SERVICE PART		1	
817	-----	SUB LEVER R	NO SERVICE PART		1	
818	-----	LOCK LEVER R	NO SERVICE PART		1	
819	-----	LOCK LEVER	NO SERVICE PART		1	
820	-----	MAIN SHASSIS	NO SERVICE PART		1	
821	-----	DRIVING WORM	NO SERVICE PART		1	
822	-----	ROLLER WORM	NO SERVICE PART		1	
823	-----	WORM SHAFT	NO SERVICE PART		1	
824	-----	LOAD GEAR	NO SERVICE PART		1	
825	-----	DRIVING GEAR	NO SERVICE PART		1	
826	-----	DRIVING GEAR PIN	NO SERVICE PART		1	
827	-----	LEVER L	NO SERVICE PART		1	
828	-----	LOCK LEVER L	NO SERVICE PART		1	
829	-----	LEAD	NO SERVICE PART		1	
830	-----	LEAD	NO SERVICE PART		1	
831	-----	INNER SWITCH	NO SERVICE PART		1	
832	-----	PICK-UP GUIDER	NO SERVICE PART		1	
833	-----	SLED RACK	NO SERVICE PART		1	
834	-----	SLED RACK SPRING	NO SERVICE PART		1	
835	-----	SUB SLED RACK	NO SERVICE PART		1	
836	-----	SCREW	NO SERVICE PART		2	
837	-----	MAIN SHAFT A	NO SERVICE PART		1	
838	-----	JUDGEMENT SPRING	NO SERVICE PART		3	
839	-----	SCREW	NO SERVICE PART		2	
840	-----	FPC	NO SERVICE PART		1	
841	-----	MAIN SHAFT B	NO SERVICE PART		1	
842	-----	SCREW	NO SERVICE PART		2	
843	-----	PICK-UP	NO SERVICE PART		1	
844	-----	LEAD	NO SERVICE PART		1	
845	-----	LEAD	NO SERVICE PART		1	
846	-----	SLED WORM	NO SERVICE PART		1	
847	-----	PB LOCK PIN	NO SERVICE PART		2	
848	-----	CHUCK SPRING	NO SERVICE PART		1	
849	-----	CHUCK ARM	NO SERVICE PART		1	
850	-----	PUSH LEVER	NO SERVICE PART		1	
851	-----	CHUCK PLATE	NO SERVICE PART		1	
852	-----	CLAMP PLATE	NO SERVICE PART		1	
853	-----	SCREW	NO SERVICE PART		2	
854	-----	PICK-UP BASE	NO SERVICE PART		1	
855	-----	DAMPER PIN	NO SERVICE PART		3	
856	-----	DAMPER SPRING L	NO SERVICE PART		2	
857	-----	DAMPER L	NO SERVICE PART		2	
858	-----	RIBBAND	NO SERVICE PART		1	
859	-----	TURN TABLE	NO SERVICE PART		1	
860	-----	SPINDER MOTOR	NO SERVICE PART		1	
861	-----	SLED GEAR SHAFT	NO SERVICE PART		1	
862	-----	DAMPER SPRING B	NO SERVICE PART		1	
863	-----	SLED GEAR	NO SERVICE PART		1	
864	-----	DAMPER B	NO SERVICE PART		1	
865	-----	SCREW	NO SERVICE PART		1	
866	-----	SWITCK	NO SERVICE PART		2	
867	-----	PCB	NO SERVICE PART		1	
868	-----	LEAD	NO SERVICE PART		1	
869	-----	LEAD	NO SERVICE PART		1	
870	-----	TOP COVER	NO SERVICE PART		1	
871	-----	DISC ARM L	NO SERVICE PART		1	
872	-----	DISC ARM SPRING	NO SERVICE PART		1	
873	-----	DISC ARM R	NO SERVICE PART		1	
874	-----	DISC ARM LOCKER SPRING	NO SERVICE PART		1	
875	-----	DISC ARM LOCKER	NO SERVICE PART		1	
876	-----	TOP GUIDE	NO SERVICE PART		1	
877	-----	ROLLER L	NO SERVICE PART		2	
878	-----	ROLLER SHAFT	NO SERVICE PART		2	
879	-----	ROLLER GEAR	NO SERVICE PART		1	
880	-----	ROLLER SHAFT	NO SERVICE PART		1	
881	-----	SCREW	NO SERVICE PART		1	
882	-----	PROTSCT COVER	NO SERVICE PART		2	
883	-----	UP LEVER	NO SERVICE PART		1	
884	-----	WASHER	NO SERVICE PART		2	
885	-----	WASHER	NO SERVICE PART		2	

MODEL	MARK	MODEL	MARK	MODEL	MARK	MODEL	MARK
DDX23BT	K2	DDX373BT	K1	DDX393	K0	DDX4016BT	E1
DDX4016BT	X1	DDX4016BTR	Q1	DDX4016DAB	E2	DDX573BH	K4
DDX593	K3						

Safe	Symbol No.	Parts No.	Parts Name	Description	QTY	Local
	886	-----	SUB CHUCK SPRING BRACHET	NO SERVICE PART	1	
	887	-----	SUB CHUCK SPRING	NO SERVICE PART	1	
	888	-----	TOP CUSHION	NO SERVICE PART	1	
	891	-----	SPACER(H)	NO SERVICE PART	1	
	892	-----	WIRE CLAMP	NO SERVICE PART	1	
	893	-----	DVD PROCESSOR U	NO SERVICE PART	1	

MODEL	MARK	MODEL	MARK	MODEL	MARK	MODEL	MARK
DDX23BT	K2	DDX373BT	K1	DDX393	K0	DDX4016BT	E1
DDX4016BT	X1	DDX4016BTR	Q1	DDX4016DAB	E2	DDX573BH	K4
DDX593	K3						

Safe	Symbol No.	Parts No.	Parts Name	Description	QTY	Local
------	------------	-----------	------------	-------------	-----	-------

MAIN PWB ASSY (XJ1-125x-xx) <XJ1>

IC80	TC7USB42FT	MOS IC	1	
IC81	TUSB211IRWB	MOS IC	1	
IC100	BH7673G-W	IC	1	
IC130	NJM2535V-X	IC	1	
IC131	NJM2535V-X	IC	1	
IC132	NJM2561F1	BIPOLAR IC	1	
IC160	NJM11100F1	ANALOG IC	1	
IC161	NJM4565V-X	IC	1	
IC162	NJM4565V-X	IC	1	
IC163	NJM4565V-X	IC	1	
IC200	TC74HCT4053FT	MOS IC	1	
IC201	NJM2794V	BIPOLAR IC	1	
IC202	TC4052BFT	MOS IC	1	
IC220	NJM4565E	BIPOLAR IC	1	
IC300	JCV8034	IC	1	
IC430	W3F-0071-00	IC(MCU)	1	E2
IC470	NJM2584AM-X	SV-ANALOGUE IC	1	E1,X1,E2
IC500	MP9942AGJ	ANALOG IC	1	
IC501	BD00HA5WEFJ	ANALOG IC	1	
IC502	BD00HA5WEFJ	ANALOG IC	1	
IC540	MP9942AGJ	ANALOG IC	1	
IC580	LM3481MMX-X	IC	1	
△ IC600	TEF6657HN-X	IC	1	K2,K1,K0,E1,X1,Q1
IC720	W3F-0114-00	MCU IC	1	K2,K1,K0,E1,X1,Q1
IC720	W3F-0124-00	MCU IC	1	E2,K4,K3
IC820	R1EX24016ATAA-X	IC	1	
IC830	BU4824F-W	IC	1	
IC840	TC7SH17FUF	MOS IC	1	K1,K0,E1,X1,E2,K4,K3
IC841	TC7SET08FU-J-X	IC(DIGITAL)	1	K1,K0,E1,X1,E2,K4,K3
IC842	TC7SH17FUF	MOS IC	1	K0,K4,K3
IC843	TC7SET08FU-J-X	IC(DIGITAL)	1	K0,K4,K3
IC860	MP9942AGJ	ANALOG IC	1	
IC890	BD2242G-G	MOS IC	1	
IC900	LV5684NPVD	IC	1	
IC901	XC6201P502PR-X	IC	1	
IC930	TC7SET08FU-J-X	IC(DIGITAL)	1	
Q200	LTC014YEBFS8	DIGI TRANSISTOR	1	
Q201	LTC014YEBFS8	DIGI TRANSISTOR	1	
Q220	LSCR523EBFS8	TRANSISTOR	1	
Q250	LTC043TUB-X	DIGI TRANSISTOR	1	
Q251	LTC043TUB-X	DIGI TRANSISTOR	1	
Q270	LTA043ZUB-X	DIGI TRANSISTOR	1	
Q280	LTC043TEB-X	DIGI TRANSISTOR	1	
Q281	LTA043EEBFS8	DIGI TRANSISTOR	1	
Q284	LTC043TEB-X	DIGI TRANSISTOR	1	
Q285	LTC043TEB-X	DIGI TRANSISTOR	1	
Q286	LTC043TEB-X	DIGI TRANSISTOR	1	
Q287	LTC043TEB-X	DIGI TRANSISTOR	1	
Q288	LTC043TEB-X	DIGI TRANSISTOR	1	
Q289	LTC043TEB-X	DIGI TRANSISTOR	1	
Q320	LTC043TUB-X	DIGI TRANSISTOR	1	
Q330	LTC043TUB-X	DIGI TRANSISTOR	1	
Q340	LTC043TUB-X	DIGI TRANSISTOR	1	
Q350	LTC043TUB-X	DIGI TRANSISTOR	1	
Q360	LSCR523EBFS8	TRANSISTOR	1	
Q410	LSAR523EBFS8	TRANSISTOR	1	
Q411	LSCR523EBFS8	TRANSISTOR	1	
Q412	LTA014YEBFS8	DIGI TRANSISTOR	1	
Q413	LTC024EEB-X	DIGI TRANSISTOR	1	
Q540	LTC014YEBFS8	DIGI TRANSISTOR	1	
Q580	RTQ035N03-W	MOS FET	1	
Q650	LTA043ZEBFS8	DIGI TRANSISTOR	1	
Q720	LSAR523UBFS8	TRANSISTOR	1	
Q830	LTA014EEBFS8	DIGI TRANSISTOR	1	
Q831	LTC014YEBFS8	DIGI TRANSISTOR	1	
Q832	LTC014YEBFS8	DIGI TRANSISTOR	1	
Q920	LTA014EEBFS8	DIGI TRANSISTOR	1	
Q921	LTC044EEBFS8	DIGI TRANSISTOR	1	
Q922	MTM98140-X	TRANSISTOR	1	
Q950	LTC014YEBFS8	DIGI TRANSISTOR	1	
Q951	LSCR523UBFS8	TRANSISTOR	1	
Q952	LSAR523UBFS8	TRANSISTOR	1	
Q970	LTC014YEBFS8	DIGI TRANSISTOR	1	
Q971	LTC014YEBFS8	DIGI TRANSISTOR	1	
Q972	LSCR523EBFS8	TRANSISTOR	1	
Q973	LSAR523EBFS8	TRANSISTOR	1	
Q974	LSCR523EBFS8	TRANSISTOR	1	
Q975	LTA014TUB-X	DIGI TRANSISTOR	1	
Q976	LSAR523EBFS8	TRANSISTOR	1	
Q990	RE1C002ZP-X	MOS FET	1	E1,X1,E2
Q991	RE1C002ZP-X	MOS FET	1	E1,X1,E2
Q992	LTC014YEBFS8	DIGI TRANSISTOR	1	E1,X1,E2
Q1010	LTC014YEBFS8	DIGI TRANSISTOR	1	
D60	1N5402-BPC07	DIODE	1	
D220	DZ2J056M	ZENER DIODE	1	
D270	DAP202U-X	SI DIODE	1	
D271	DAP202U-X	SI DIODE	1	
D272	DAP202U-X	SI DIODE	1	E1,E2

MODEL	MARK	MODEL	MARK	MODEL	MARK	MODEL	MARK
DDX23BT	K2	DDX373BT	K1	DDX393	K0	DDX4016BT	E1
DDX4016BT	X1	DDX4016BTR	Q1	DDX4016DAB	E2	DDX573BH	K4
DDX593	K3						

Safe	Symbol No.	Parts No.	Parts Name	Description	QTY	Local
	D290	DA2J101	DIODE		1	
	D291	DA2J101	DIODE		1	
	D380	MBRX130	SCHOTTKY DIODE		1	K2,K1,K0,X1,K4,K3
	D381	MBRX130	SCHOTTKY DIODE		1	K2,K1,K0,X1,K4,K3
	D382	MBRX130	SCHOTTKY DIODE		1	
	D383	MBRX130	SCHOTTKY DIODE		1	
	D400	DZ2J062M	ZENER DIODE		1	
	D410	DA2J101	DIODE		1	
	D411	DA2J101	DIODE		1	
	D430	DZ2J033M	ZENER DIODE		1	E2
	D500	MBRX130	SCHOTTKY DIODE		1	
	D501	MBRX130	SCHOTTKY DIODE		1	
	D540	DA2J101	DIODE		1	
	D541	DA2J101	DIODE		1	
	D580	RB160L-40	SCHOTTKY DIODE		1	
	D581	DA2J101	DIODE		1	
	D582	DA2J101	DIODE		1	
	D830	DA2J101	DIODE		1	
	D900	MBRX130	SCHOTTKY DIODE		1	
	D901	SK34A-L-X	SB DIODE		1	
	D920	DZ2J180M	ZENER DIODE		1	
	D950	DZ2J062M	ZENER DIODE		1	
	D951	DZ2J180M	ZENER DIODE		1	
	D970	DZ2J062M	ZENER DIODE		1	
	D990	DA2J101	DIODE		1	E1,X1,E2
	D991	DA2J101	DIODE		1	E1,X1,E2
	C60	CK73GBB1H221K	C CAPACITOR	220pF 50V K	1	
	C61	CK73GBB1H221K	C CAPACITOR	220pF 50V K	1	
	C62	CK73GBB1H221K	C CAPACITOR	220pF 50V K	1	
	C63	CK73GBB1H221K	C CAPACITOR	220pF 50V K	1	
	C68	CK73GBB1H221K	C CAPACITOR	220pF 50V K	1	
	C69	CK73GBB1H221K	C CAPACITOR	220pF 50V K	1	
	C70	CK73GBB1H221K	C CAPACITOR	220pF 50V K	1	
	C71	CK73GBB1H221K	C CAPACITOR	220pF 50V K	1	
	C72	CD04EU1C222M2	E CAPACITOR	2200uF 16V M	1	
	C80	CK73HBB1H472K	C CAPACITOR	4700pF 50V K	1	
	C81	CK73HBB1H471K	C CAPACITOR	470pF 50V K	1	
	C82	CK73HBB1C103K	C CAPACITOR	0.01uF 16V K	1	
	C83	CK73FXR0J106K	C CAPACITOR	10uF 6.3V K	1	
	C87	CK73HBB1A104K	C CAPACITOR	0.1uF 10V K	1	
	C100	CK73GBB1C105K	C CAPACITOR	1uF 16V K	1	
	C102	CK73GXR0J106M	C CAPACITOR	10uF 6.3V M	1	
	C104	CK73GBB1C105K	C CAPACITOR	1uF 16V K	1	
	C105	CK73HBB1H102K	C CAPACITOR	1000pF 50V K	1	
	C106	CK73HBB1H102K	C CAPACITOR	1000pF 50V K	1	
	C107	CK73HBB1A104K	C CAPACITOR	0.1uF 10V K	1	
	C108	CK73GBB1C105K	C CAPACITOR	1uF 16V K	1	
	C109	CK73GBB1C105K	C CAPACITOR	1uF 16V K	1	
	C130	CK73GBB1C105K	C CAPACITOR	1uF 16V K	1	K0,X1,K4,K3
	C131	CK73GBB1C104K	C CAPACITOR	0.1uF 16V K	1	
	C132	CK73GBB1C105K	C CAPACITOR	1uF 16V K	1	
	C133	CK73GBB1C105K	C CAPACITOR	1uF 16V K	1	
	C134	CK73HBB1A104K	C CAPACITOR	0.1uF 10V K	1	
	C135	CD04BN1A471M	E CAPACITOR	470uF 10V M	1	
	C136	CK73GBB1C104K	C CAPACITOR	0.1uF 16V K	1	
	C137	CK73GBB1C105K	C CAPACITOR	1uF 16V K	1	
	C138	CK73HBB1A104K	C CAPACITOR	0.1uF 10V K	1	
	C139	CK73GBB1C105K	C CAPACITOR	1uF 16V K	1	
	C160	CC73HCH1H330J	C CAPACITOR	33pF 50V J	1	
	C161	CK73FXR1C475K	C CAPACITOR	4.7uF 16V K	1	K2
	C161	CK73FXR1C106K	C CAPACITOR	10uF 16V K	1	K1,K0,E1,X1,Q1,E2,K4,K3
	C162	CK73FXR1C475K	C CAPACITOR	4.7uF 16V K	1	K2
	C162	CK73FXR1C106K	C CAPACITOR	10uF 16V K	1	K1,K0,E1,X1,Q1,E2,K4,K3
	C163	CC73HCH1H271J	C CAPACITOR	270pF 50V J	1	K2
	C163	CC73HCH1H391J	C CAPACITOR	390pF 50V J	1	K1,K0,E1,X1,Q1,E2,K4,K3
	C164	CK73FXR1C475K	C CAPACITOR	4.7uF 16V K	1	K2
	C164	CK73FXR1C106K	C CAPACITOR	10uF 16V K	1	K1,K0,E1,X1,Q1,E2,K4,K3
	C165	CK73FXR1C475K	C CAPACITOR	4.7uF 16V K	1	K2
	C165	CK73FXR1C106K	C CAPACITOR	10uF 16V K	1	K1,K0,E1,X1,Q1,E2,K4,K3
	C166	CK73FXR1C475K	C CAPACITOR	4.7uF 16V K	1	K2
	C166	CK73FXR1C106K	C CAPACITOR	10uF 16V K	1	K1,K0,E1,X1,Q1,E2,K4,K3
	C167	CK73FXR1C475K	C CAPACITOR	4.7uF 16V K	1	K2
	C167	CK73FXR1C106K	C CAPACITOR	10uF 16V K	1	K1,K0,E1,X1,Q1,E2,K4,K3
	C168	CK73GBB1H103K	C CAPACITOR	0.01uF 50V K	1	
	C169	CK73FXR0J106K	C CAPACITOR	10uF 6.3V K	1	
	C170	CK73FXR0J106K	C CAPACITOR	10uF 6.3V K	1	
	C171	CD04AS1C470M	E CAPACITOR	47uF 16V M	1	
	C172	CC73HCH1H330J	C CAPACITOR	33pF 50V J	1	
	C173	CC73HCH1H271J	C CAPACITOR	270pF 50V J	1	K2
	C173	CC73HCH1H391J	C CAPACITOR	390pF 50V J	1	K1,K0,E1,X1,Q1,E2,K4,K3
	C174	CK73FXR0J106K	C CAPACITOR	10uF 6.3V K	1	
	C175	CK73GXR1H104K	C CAPACITOR	0.1uF 50V K	1	
	C176	CC73HCH1H330J	C CAPACITOR	33pF 50V J	1	

MODEL	MARK	MODEL	MARK	MODEL	MARK	MODEL	MARK
DDX23BT	K2	DDX373BT	K1	DDX393	K0	DDX4016BT	E1
DDX4016BT	X1	DDX4016BTR	Q1	DDX4016DAB	E2	DDX573BH	K4
DDX593	K3						

Safe	Symbol No.	Parts No.	Parts Name	Description	QTY	Local
	C177	CC73HCH1H271J	C CAPACITOR	270pF 50V J	1	K2
	C177	CC73HCH1H391J	C CAPACITOR	390pF 50V J	1	K1,K0,E1,X1,Q1,E2,K4,K3
	C178	CC73HCH1H330J	C CAPACITOR	33pF 50V J	1	
	C179	CC73HCH1H271J	C CAPACITOR	270pF 50V J	1	K2
	C179	CC73HCH1H391J	C CAPACITOR	390pF 50V J	1	K1,K0,E1,X1,Q1,E2,K4,K3
	C180	CK73FXR0J106K	C CAPACITOR	10uF 6.3V K	1	
	C181	CK73GXR1H104K	C CAPACITOR	0.1uF 50V K	1	
	C182	CC73HCH1H330J	C CAPACITOR	33pF 50V J	1	
	C183	CC73HCH1H271J	C CAPACITOR	270pF 50V J	1	K2
	C183	CC73HCH1H391J	C CAPACITOR	390pF 50V J	1	K1,K0,E1,X1,Q1,E2,K4,K3
	C184	CC73HCH1H330J	C CAPACITOR	33pF 50V J	1	
	C185	CC73HCH1H271J	C CAPACITOR	270pF 50V J	1	K2
	C185	CC73HCH1H391J	C CAPACITOR	390pF 50V J	1	K1,K0,E1,X1,Q1,E2,K4,K3
	C186	CK73FXR0J106K	C CAPACITOR	10uF 6.3V K	1	
	C187	CK73GXR1H104K	C CAPACITOR	0.1uF 50V K	1	
	C188	CC73HCH1H101J	C CAPACITOR	100pF 50V J	1	
	C189	CK73EXR1C106K	C CAPACITOR	10uF 16V K	1	
	C190	CK73EXR1C106K	C CAPACITOR	10uF 16V K	1	
	C191	CK73EXR1C106K	C CAPACITOR	10uF 16V K	1	
	C200	CK73GBB1H104K	C CAPACITOR	0.1uF 50V K	1	
	C201	CK73FXR1C106K	C CAPACITOR	10uF 16V K	1	
	C202	CK73HBB1C104K	C CAPACITOR	0.1uF 16V K	1	
	C203	CK73GXR0J106M	C CAPACITOR	10uF 6.3V M	1	
	C204	CK73GXR0J106M	C CAPACITOR	10uF 6.3V M	1	
	C205	CK73GBB1C105K	C CAPACITOR	1uF 16V K	1	
	C206	CK73GBB1C105K	C CAPACITOR	1uF 16V K	1	
	C207	CK73GBB1C105K	C CAPACITOR	1uF 16V K	1	
	C208	CK73HBB1A104K	C CAPACITOR	0.1uF 10V K	1	
	C209	CK73FXR1C106K	C CAPACITOR	10uF 16V K	1	
	C210	CK73FXR1C106K	C CAPACITOR	10uF 16V K	1	
	C220	CK73GBB1A105K	C CAPACITOR	1uF 10V K	1	
	C223	CK73HBB1A273K	C CAPACITOR	0.027uF 10V K	1	
	C224	CK73HBB1A273K	C CAPACITOR	0.027uF 10V K	1	
	C225	CK73GBB1C105K	C CAPACITOR	1uF 16V K	1	
	C226	CK73GBB1C105K	C CAPACITOR	1uF 16V K	1	
	C227	CD04AS1C220M	E CAPACITOR	22uF 16V M	1	
	C228	CK73HBB1H331K	C CAPACITOR	330pF 50V K	1	
	C229	CC73HCH1H220J	C CAPACITOR	22pF 50V J	1	
	C230	CK73HBB1H331K	C CAPACITOR	330pF 50V K	1	
	C231	CD04AS1C220M	E CAPACITOR	22uF 16V M	1	
	C232	CK73GBB1C104K	C CAPACITOR	0.1uF 16V K	1	
	C233	CK73HBB1C333K	C CAPACITOR	0.033uF 16V K	1	
	C234	CK73GBB1C105K	C CAPACITOR	1uF 16V K	1	
	C235	CK73HBB1C333K	C CAPACITOR	0.033uF 16V K	1	
	C236	CK73GBB1C105K	C CAPACITOR	1uF 16V K	1	
	C241	CK73HBB1C103K	C CAPACITOR	0.01uF 16V K	1	
	C242	CK73GBB1C105K	C CAPACITOR	1uF 16V K	1	
	C250	CK730DK1E106K	C CAPACITOR	10uF 25V K	1	
	C251	CK730DK1E106K	C CAPACITOR	10uF 25V K	1	
	C270	CK73GBB1H104K	C CAPACITOR	0.1uF 50V K	1	
	C279	CK73FXR0J106K	C CAPACITOR	10uF 6.3V K	1	
	C280	CK73FXR0J106K	C CAPACITOR	10uF 6.3V K	1	
	C290	CC73HCH1E301J	C CAPACITOR	300pF 25V J	1	
	C291	CK73GXR0J475K	C CAPACITOR	4.7uF 6.3V K	1	
	C292	CC73HCH1E301J	C CAPACITOR	300pF 25V J	1	
	C293	CK73GXR0J475K	C CAPACITOR	4.7uF 6.3V K	1	
	C294	CC73HCH1E301J	C CAPACITOR	300pF 25V J	1	
	C295	CK73GXR0J475K	C CAPACITOR	4.7uF 6.3V K	1	
	C296	CC73HCH1E301J	C CAPACITOR	300pF 25V J	1	
	C297	CK73GXR0J475K	C CAPACITOR	4.7uF 6.3V K	1	
	C298	CC73HCH1E301J	C CAPACITOR	300pF 25V J	1	
	C299	CK73GXR0J475K	C CAPACITOR	4.7uF 6.3V K	1	
	C300	CK73GBB1C105K	C CAPACITOR	1uF 16V K	1	
	C301	QE20982-476Z	E CAPACITOR	47uF	1	
	C302	CK73GBB1C224K	C CAPACITOR	0.22uF 16V K	1	
	C303	CK73GBB1C224K	C CAPACITOR	0.22uF 16V K	1	
	C304	CK73GBB1C224K	C CAPACITOR	0.22uF 16V K	1	
	C305	CK73GBB1C224K	C CAPACITOR	0.22uF 16V K	1	
	C306	CK73GBB1C224K	C CAPACITOR	0.22uF 16V K	1	
	C307	CK73GBB1A684K	C CAPACITOR	0.68uF 10V K	1	
	C308	CK73GBB1C105K	C CAPACITOR	1uF 16V K	1	
	C313	CC73HCH1E301J	C CAPACITOR	300pF 25V J	1	
	C314	CK73GXR0J475K	C CAPACITOR	4.7uF 6.3V K	1	
	C320	CK730DK1E106K	C CAPACITOR	10uF 25V K	1	
	C330	CK730DK1E106K	C CAPACITOR	10uF 25V K	1	
	C340	CK730DK1E106K	C CAPACITOR	10uF 25V K	1	
	C350	CK730DK1E106K	C CAPACITOR	10uF 25V K	1	
	C352	CK73HBB1H332K	C CAPACITOR	3300pF 50V K	1	
	C353	CC73HCH1H101J	C CAPACITOR	100pF 50V J	1	
	C360	CK73HXR0J105K	C CAPACITOR	1uF 6.3V K	1	
	C361	CK73HBB1E103K	C CAPACITOR	0.01uF 25V K	1	
	C410	CK73GBB0J225K	C CAPACITOR	2.2uF 6.3V K	1	
	C412	CK73HBB1E103K	C CAPACITOR	0.01uF 25V K	1	
	C430	CK73HBB1E103K	C CAPACITOR	0.01uF 25V K	1	E2
	C431	CK73HXR0J474K	C CAPACITOR	0.47uF 6.3V K	1	E2
	C432	CK73HBB1A104K	C CAPACITOR	0.1uF 10V K	1	E2
	C433	CK73GBB1C105K	C CAPACITOR	1uF 16V K	1	E2
	C470	CK73GXR1A105K	C CAPACITOR	1uF 10V K	1	E1,X1,E2

MODEL	MARK	MODEL	MARK	MODEL	MARK	MODEL	MARK
DDX23BT	K2	DDX373BT	K1	DDX393	K0	DDX4016BT	E1
DDX4016BT	X1	DDX4016BTR	Q1	DDX4016DAB	E2	DDX573BH	K4
DDX593	K3						

Safe	Symbol No.	Parts No.	Parts Name	Description	QTY	Local
	C471	CK73HXR0J105K	C CAPACITOR	1uF 6.3V K	1	E1,X1,E2
	C472	CK73GXR0J106M	C CAPACITOR	10uF 6.3V M	1	
	C473	CK73HBB1A104K	C CAPACITOR	0.1uF 10V K	1	E1,X1,E2
	C474	CK73GXR1A105K	C CAPACITOR	1uF 10V K	1	E1,X1,E2
	C475	CK73HXR0J105K	C CAPACITOR	1uF 6.3V K	1	E1,X1,E2
	C476	CK73GXR1A105K	C CAPACITOR	1uF 10V K	1	E1,X1,E2
	C477	CK73HXR0J105K	C CAPACITOR	1uF 6.3V K	1	E1,X1,E2
	C480	CK73GGB1H223K	C CAPACITOR	0.022uF 50V K	1	
	C485	CK73HBB1E103K	C CAPACITOR	0.01uF 25V K	1	
	C486	CK73HBB1A104K	C CAPACITOR	0.1uF 10V K	1	
	C487	CK73GXR0J106M	C CAPACITOR	10uF 6.3V M	1	
	C489	CK73HBB1E103K	C CAPACITOR	0.01uF 25V K	1	
	C490	CK73HBB1A104K	C CAPACITOR	0.1uF 10V K	1	
	C491	CK73GXR0J106M	C CAPACITOR	10uF 6.3V M	1	
	C492	CD04BN1C101M	E CAPACITOR	100uF 16V M	1	
	C493	CK73HBB1E103K	C CAPACITOR	0.01uF 25V K	1	
	C494	CK73HBB1A104K	C CAPACITOR	0.1uF 10V K	1	
	C495	CK73FXR1C106K	C CAPACITOR	10uF 16V K	1	
	C500	CK730BY1E106K	C CAPACITOR	10uF 25V K	1	
	C501	CK73GGB1H104K	C CAPACITOR	0.1uF 50V K	1	
	C503	CK73HBB1C104K	C CAPACITOR	0.1uF 16V K	1	
	C504	CK73HBB1C104K	C CAPACITOR	0.1uF 16V K	1	
	C505	CC73HCH1H120J	C CAPACITOR	12pF 50V J	1	
	C506	CK73HBB1H102K	C CAPACITOR	1000pF 50V K	1	
	C507	CK73FXR1C106K	C CAPACITOR	10uF 16V K	1	
	C508	CD04BN1C221M	E CAPACITOR	220uF 16V M	1	
	C509	CK73FXR1C106K	C CAPACITOR	10uF 16V K	1	
	C510	CK73FXR1C106K	C CAPACITOR	10uF 16V K	1	
	C511	CK73GGB1H104K	C CAPACITOR	0.1uF 50V K	1	
	C512	CK73FXR1C106K	C CAPACITOR	10uF 16V K	1	
	C513	CK73FXR1C106K	C CAPACITOR	10uF 16V K	1	
	C514	CK73GGB1H104K	C CAPACITOR	0.1uF 50V K	1	
	C540	CK730BY1E106K	C CAPACITOR	10uF 25V K	1	
	C541	CK73GGB1H104K	C CAPACITOR	0.1uF 50V K	1	
	C543	CK73HBB1C104K	C CAPACITOR	0.1uF 16V K	1	
	C544	CK73HBB1C104K	C CAPACITOR	0.1uF 16V K	1	
	C545	CC73HCH1H150J	C CAPACITOR	15pF 50V J	1	
	C546	CK73HBB1H102K	C CAPACITOR	1000pF 50V K	1	
	C547	CK73FXR1C106K	C CAPACITOR	10uF 16V K	1	
	C548	CD04BN1C221M	E CAPACITOR	220uF 16V M	1	
	C580	CK730BY1E106K	C CAPACITOR	10uF 25V K	1	
	C581	CK730BY1E106K	C CAPACITOR	10uF 25V K	1	
	C582	CK73HBB1H391K	C CAPACITOR	390pF 50V K	1	
	C583	CK73HBB1C104K	C CAPACITOR	0.1uF 16V K	1	
	C584	CK73HBB1H102K	C CAPACITOR	1000pF 50V K	1	
	C585	CK73HBB1H821K	C CAPACITOR	820pF 50V K	1	
	C586	CK73GGB1C105K	C CAPACITOR	1uF 16V K	1	
	C587	CK73GGB1H104K	C CAPACITOR	0.1uF 50V K	1	
	C588	CK730BY1E106K	C CAPACITOR	10uF 25V K	1	
	C589	CK730BY1E106K	C CAPACITOR	10uF 25V K	1	
	C590	CD04CZ1E101M	E CAPACITOR	100uF 25V M	1	
	C600	CK73GGB1H103K	C CAPACITOR	0.01uF 50V K	1	
	C601	CK73GGB1H104K	C CAPACITOR	0.1uF 50V K	1	
	C602	CK73GXR0J106M	C CAPACITOR	10uF 6.3V M	1	
	C603	CK73GGB1H103K	C CAPACITOR	0.01uF 50V K	1	E2,K4,K3
	C604	CK73GGB1H104K	C CAPACITOR	0.1uF 50V K	1	E2,K4,K3
	C605	CK73GXR0J106M	C CAPACITOR	10uF 6.3V M	1	E2,K4,K3
	C606	CC73GCH1H330J	C CAPACITOR	33pF 50V J	1	K2,K1,K0,E1,X1,Q1
	C609	CC73GCH1H220J	C CAPACITOR	22pF 50V J	1	K2,K1,K0,E1,X1,Q1
	C615	CK73GGB1H103K	C CAPACITOR	0.01uF 50V K	1	K2,K1,K0,E1,X1,Q1
	C617	CK73GGB1H102K	C CAPACITOR	1000pF 50V K	1	K2,K1,K0,E1,X1,Q1
	C618	CC73GCH1H120J	C CAPACITOR	12pF 50V J	1	K2,K1,K0,E1,X1,Q1
	C619	CK73GGB1H104K	C CAPACITOR	0.1uF 50V K	1	E2,K4,K3
△	C621	CC73GCH1H010C	C CAPACITOR	1pF 50V C	1	K2,K1,K0,E1,X1,Q1
△	C622	CC73GCH1H010C	C CAPACITOR	1pF 50V C	1	K2,K1,K0,E1,X1,Q1
	C623	CK73GXR1H104K	C CAPACITOR	0.1uF 50V K	1	K2,K1,K0,E1,X1,Q1
	C625	CK73GGB1C224K	C CAPACITOR	0.22uF 16V K	1	K2,K1,K0,E1,X1,Q1
	C626	CK73GGB1H102K	C CAPACITOR	1000pF 50V K	1	K2,K1,K0,E1,X1,Q1
	C627	CK73GXR1H104K	C CAPACITOR	0.1uF 50V K	1	K2,K1,K0,E1,X1,Q1
	C628	CC73GCH1H090D	C CAPACITOR	9pF 50V D	1	K2,K1,K0,E1,X1,Q1
	C629	CK73EXR1C106K	C CAPACITOR	10uF 16V K	1	K2,K1,K0,E1,X1,Q1
	C630	CK73EXR1C106K	C CAPACITOR	10uF 16V K	1	K2,K1,K0,E1,X1,Q1
	C631	CK73GXR1H104K	C CAPACITOR	0.1uF 50V K	1	K2,K1,K0,E1,X1,Q1
	C632	CK73GGB1H102K	C CAPACITOR	1000pF 50V K	1	K2,K1,K0,E1,X1,Q1
△	C633	CC73GCH1H010C	C CAPACITOR	1pF 50V C	1	E2
	C633	CC73GCH1H050C	C CAPACITOR	5pF 50V C	1	K4,K3
	C634	CK73GGB1H152K	C CAPACITOR	1500pF 50V K	1	K2,K1,K0,E1,X1,Q1
	C640	CK73FXR0J106K	C CAPACITOR	10uF 6.3V K	1	K2,K1,K0,E1,X1,Q1
	C641	CK73GXR1H104K	C CAPACITOR	0.1uF 50V K	1	K2,K1,K0,E1,X1,Q1
	C643	CK73FXR0J106K	C CAPACITOR	10uF 6.3V K	1	K2,K1,K0,E1,X1,Q1
	C645	CK73GGB1C105K	C CAPACITOR	1uF 16V K	1	K2,K1,K0,E1,X1,Q1
	C646	CK73GGB1C105K	C CAPACITOR	1uF 16V K	1	K2,K1,K0,E1,X1,Q1
	C720	CK73GXR0J106M	C CAPACITOR	10uF 6.3V M	1	
	C721	CK73HBB1H222K	C CAPACITOR	2200pF 50V K	1	
	C727	CK73HBB1E103K	C CAPACITOR	0.01uF 25V K	1	
	C728	CK73HBB1E103K	C CAPACITOR	0.01uF 25V K	1	
	C730	CK73HBB1E103K	C CAPACITOR	0.01uF 25V K	1	
	C731	CK73HBB1E103K	C CAPACITOR	0.01uF 25V K	1	
	C732	CK73HXR0J105K	C CAPACITOR	1uF 6.3V K	1	
	C733	CK73HXR0J105K	C CAPACITOR	1uF 6.3V K	1	
	C734	CK73GGB1C103K	C CAPACITOR	0.01uF 16V K	1	

MODEL	MARK	MODEL	MARK	MODEL	MARK	MODEL	MARK
DDX23BT	K2	DDX373BT	K1	DDX393	K0	DDX4016BT	E1
DDX4016BT	X1	DDX4016BTR	Q1	DDX4016DAB	E2	DDX573BH	K4
DDX593	K3						

Safe	Symbol No.	Parts No.	Parts Name	Description	QTY	Local
	C737	CK73GBB1H104K	C CAPACITOR	0.1uF 50V K	1	
	C738	CK73GXR1H104K	C CAPACITOR	0.1uF 50V K	1	
	C739	CK73HBB1A104K	C CAPACITOR	0.1uF 10V K	1	
	C740	CC73GCH1H330J	C CAPACITOR	33pF 50V J	1	
	C741	CC73GCH1H330J	C CAPACITOR	33pF 50V J	1	
	C742	CC73HCH1H100D	C CAPACITOR	10pF 50V D	1	
	C743	CC73HCH1H120J	C CAPACITOR	12pF 50V J	1	
	C820	CK73HBB1E103K	C CAPACITOR	0.01uF 25V K	1	
	C831	CK73HBB1E103K	C CAPACITOR	0.01uF 25V K	1	
	C832	CK73HXR0J105K	C CAPACITOR	1uF 6.3V K	1	
	C833	CK73HBB1E103K	C CAPACITOR	0.01uF 25V K	1	
	C840	CK73HBB1C104K	C CAPACITOR	0.1uF 16V K	1	K1,K0,E1,X1,E2,K4,K3
	C841	CK73HBB1C104K	C CAPACITOR	0.1uF 16V K	1	K1,K0,E1,X1,E2,K4,K3
	C842	CK73HBB1C104K	C CAPACITOR	0.1uF 16V K	1	K0,K4,K3
	C843	CK73HBB1C104K	C CAPACITOR	0.1uF 16V K	1	K0,K4,K3
	C860	CK730BY1E106K	C CAPACITOR	10uF 25V K	1	
	C861	CK73GBB1H104K	C CAPACITOR	0.1uF 50V K	1	
	C863	CK73HBB1C104K	C CAPACITOR	0.1uF 16V K	1	
	C864	CK73HBB1C104K	C CAPACITOR	0.1uF 16V K	1	
	C865	CC73HCH1H101J	C CAPACITOR	100pF 50V J	1	
	C866	CK73HBB1H102K	C CAPACITOR	1000pF 50V K	1	
	C867	CK73GXR0J106M	C CAPACITOR	10uF 6.3V M	1	
	C868	QEZO852-337Z	E CAPACITOR	330uF	1	
	C890	CK73HBB1A104K	C CAPACITOR	0.1uF 10V K	1	
	C891	CK73HBB1A104K	C CAPACITOR	0.1uF 10V K	1	
	C900	CK73FBB1H224K	C CAPACITOR	0.22uF 50V K	1	
	C901	CD04AR1C471M	E CAPACITOR	470uF 16V M	1	
	C902	CK73FBB1H224K	C CAPACITOR	0.22uF 50V K	1	
	C903	CD04CZ1E101M	E CAPACITOR	100uF 25V M	1	
	C904	CK73GXR0J106M	C CAPACITOR	10uF 6.3V M	1	
	C905	CD04AS1C470M	E CAPACITOR	47uF 16V M	1	
	C906	CK73FXR0J226M	C CAPACITOR	22uF 6.3V M	1	
	C907	QEZO852-337Z	E CAPACITOR	330uF	1	
	C908	CK73FXR1C106K	C CAPACITOR	10uF 16V K	1	
	C909	CK73FXR0J226M	C CAPACITOR	22uF 6.3V M	1	
	C910	CK73FXR1C106K	C CAPACITOR	10uF 16V K	1	
	C911	CK730BY1E106K	C CAPACITOR	10uF 25V K	1	
	C912	CK730BY1E106K	C CAPACITOR	10uF 25V K	1	
	C913	CK73GBB1C105K	C CAPACITOR	1uF 16V K	1	
	C914	CK73GBB1C105K	C CAPACITOR	1uF 16V K	1	
	C915	CD04BN1C221M	E CAPACITOR	220uF 16V M	1	
	C920	CK73FBB1H334K	C CAPACITOR	0.33uF 50V K	1	
	C930	CC73HCH1H331J	C CAPACITOR	330pF 50V J	1	
	C931	CC73HCH1H331J	C CAPACITOR	330pF 50V J	1	
	C932	CK73HBB1C103K	C CAPACITOR	0.01uF 16V K	1	
	C950	CK73HBB1H103K	C CAPACITOR	0.01uF 50V K	1	
	C951	CK73FBB1H334K	C CAPACITOR	0.33uF 50V K	1	
	C1010	CK73FXR1C475K	C CAPACITOR	4.7uF 16V K	1	K2
	C1010	CK73FXR1C106K	C CAPACITOR	10uF 16V K	1	K1,K0,E1,X1,Q1,E2,K4,K3
	C1011	CC73HCH1H330J	C CAPACITOR	33pF 50V J	1	
	C1012	CC73HCH1H330J	C CAPACITOR	33pF 50V J	1	
	C1013	CK73FXR1C475K	C CAPACITOR	4.7uF 16V K	1	K2
	C1013	CK73FXR1C106K	C CAPACITOR	10uF 16V K	1	K1,K0,E1,X1,Q1,E2,K4,K3
	C1014	CK73FXR1C475K	C CAPACITOR	4.7uF 16V K	1	K2
	C1014	CK73FXR1C106K	C CAPACITOR	10uF 16V K	1	K1,K0,E1,X1,Q1,E2,K4,K3
	C1015	CC73HCH1H330J	C CAPACITOR	33pF 50V J	1	
	C1016	CC73HCH1H330J	C CAPACITOR	33pF 50V J	1	
	C1017	CK73FXR1C475K	C CAPACITOR	4.7uF 16V K	1	K2
	C1017	CK73FXR1C106K	C CAPACITOR	10uF 16V K	1	K1,K0,E1,X1,Q1,E2,K4,K3
	C1018	CK73FXR1C475K	C CAPACITOR	4.7uF 16V K	1	K2
	C1018	CK73FXR1C106K	C CAPACITOR	10uF 16V K	1	K1,K0,E1,X1,Q1,E2,K4,K3
	C1019	CC73HCH1H330J	C CAPACITOR	33pF 50V J	1	
	C1020	CC73HCH1H330J	C CAPACITOR	33pF 50V J	1	
	C1021	CK73FXR1C475K	C CAPACITOR	4.7uF 16V K	1	K2
	C1021	CK73FXR1C106K	C CAPACITOR	10uF 16V K	1	K1,K0,E1,X1,Q1,E2,K4,K3
	C1025	CC73HCH1H050C	C CAPACITOR	5pF 50V C	1	
	C1026	CC73HCH1H050C	C CAPACITOR	5pF 50V C	1	
	C1027	CC73HCH1H050C	C CAPACITOR	5pF 50V C	1	
	C1031	CK73HBB1H472K	C CAPACITOR	4700pF 50V K	1	
	C1032	CK73HBB1H472K	C CAPACITOR	4700pF 50V K	1	
	C1033	CK73HXR0J105K	C CAPACITOR	1uF 6.3V K	1	
	C1034	CK73HXR0J105K	C CAPACITOR	1uF 6.3V K	1	
	C1035	CK73HXR0J105K	C CAPACITOR	1uF 6.3V K	1	
	C1036	CK73HBB1H472K	C CAPACITOR	4700pF 50V K	1	
	C1043	CK73GBB1H471K	C CAPACITOR	470pF 50V K	1	
	C1045	CK73GBB1H472K	C CAPACITOR	4700pF 50V K	1	
	C1046	CK73GBB1H104K	C CAPACITOR	0.1uF 50V K	1	
	C1047	CK73GBB1H104K	C CAPACITOR	0.1uF 50V K	1	
	C1048	CK73EXR1C106K	C CAPACITOR	10uF 16V K	1	E2,K4,K3
	C1049	CK73GBB1H104K	C CAPACITOR	0.1uF 50V K	1	K4,K3
	C1051	CK73GBB1H472K	C CAPACITOR	4700pF 50V K	1	K2,K1,K0,E1,X1,Q1
	C1051	CK73GBB1H104K	C CAPACITOR	0.1uF 50V K	1	K4,K3
	C1052	CK73GBB1H104K	C CAPACITOR	0.1uF 50V K	1	E2,K4,K3
	C1055	CK73GBB1H472K	C CAPACITOR	4700pF 50V K	1	K2,K1,K0,E1,X1,Q1
	C1055	CK73GBB1H104K	C CAPACITOR	0.1uF 50V K	1	E2,K4,K3
	C1058	CK73GBB1H104K	C CAPACITOR	0.1uF 50V K	1	

MODEL	MARK	MODEL	MARK	MODEL	MARK	MODEL	MARK
DDX23BT	K2	DDX373BT	K1	DDX393	K0	DDX4016BT	E1
DDX4016BT	X1	DDX4016BTR	Q1	DDX4016DAB	E2	DDX573BH	K4
DDX593	K3						

Safe	Symbol No.	Parts No.	Parts Name	Description	QTY	Local
	C1061	CK73GBB1H103K	C CAPACITOR	0.01uF 50V K	1	
	C1065	CK73GBB1H104K	C CAPACITOR	0.1uF 50V K	1	
	C1066	CK73GBB1H104K	C CAPACITOR	0.1uF 50V K	1	
	C1067	CC73GCH1H221J	C CAPACITOR	220pF 50V J	1	
	C1068	CK73GBB1H223K	C CAPACITOR	0.022uF 50V K	1	
	C1069	CK73GBB1H223K	C CAPACITOR	0.022uF 50V K	1	
	C1070	CK73GBB1H104K	C CAPACITOR	0.1uF 50V K	1	K2,K1,K0,E1,X1,Q1
	C1074	CK73GBB1H103K	C CAPACITOR	0.01uF 50V K	1	
	C1076	CC73GCH1H101J	C CAPACITOR	100pF 50V J	1	K2,K1,K0,E1,X1,Q1
△	C1076	CC73GCH1H010C	C CAPACITOR	1pF 50V C	1	E2
	C1076	CC73GCH1H050C	C CAPACITOR	5pF 50V C	1	K4,K3
	C1077	CK73GBB1H104K	C CAPACITOR	0.1uF 50V K	1	K2,K1,K0,E1,X1,Q1
	C1080	CK73GBB1H471K	C CAPACITOR	470pF 50V K	1	
	C1081	CK73GBB1H471K	C CAPACITOR	470pF 50V K	1	
	C1082	CK73GBB1H104K	C CAPACITOR	0.1uF 50V K	1	
△	C1083	CC73GCH1H010C	C CAPACITOR	1pF 50V C	1	E2
	C1083	CC73GCH1H050C	C CAPACITOR	5pF 50V C	1	K4,K3
△	C1085	CC73GCH1H010C	C CAPACITOR	1pF 50V C	1	E2
	C1085	CC73GCH1H050C	C CAPACITOR	5pF 50V C	1	K4,K3
	C1086	CK73GBB1H104K	C CAPACITOR	0.1uF 50V K	1	
	C1087	CK73HBB1C104K	C CAPACITOR	0.1uF 16V K	1	
	C1088	CK73HBB1C104K	C CAPACITOR	0.1uF 16V K	1	
	C1089	CK73HXR1A105K	C CAPACITOR	1uF 10V K	1	
	C1090	CK73HBB1C103K	C CAPACITOR	0.01uF 16V K	1	
	C1091	CK73GBB1C473K	C CAPACITOR	0.047uF 16V K	1	
	C1092	CK73GBB1H333K	C CAPACITOR	0.033uF 50V K	1	
	C1093	CK73GBB1H333K	C CAPACITOR	0.033uF 50V K	1	
	R80	RK73GB2A222J	MG RESISTOR	2.2kΩ 1/10W J	1	
	R101	RK73HB1J332J	MG RESISTOR	3.3kΩ 1/16W J	1	
	R102	RK73HB1J223J	MG RESISTOR	22kΩ 1/16W J	1	
	R103	RK73HB1J302J	MG RESISTOR	3kΩ 1/16W J	1	
	R105	RK73HB1J162J	MG RESISTOR	1.6kΩ 1/16W J	1	
	R106	RK73HB1J223J	MG RESISTOR	22kΩ 1/16W J	1	
	R107	RK73HB1J302J	MG RESISTOR	3kΩ 1/16W J	1	
	R108	RK73HB1J332J	MG RESISTOR	3.3kΩ 1/16W J	1	
	R110	RK73HB1J620J	MG RESISTOR	62Ω 1/16W J	1	
	R111	RK73HB1J100J	MG RESISTOR	10Ω 1/16W J	1	
	R112	RK73HB1J100J	MG RESISTOR	10Ω 1/16W J	1	
	R114	RK73GB2A4R7J	MG RESISTOR	4.7Ω 1/10W J	1	
	R115	RK73HB1J100J	MG RESISTOR	10Ω 1/16W J	1	
	R130	RK73GB2A100J	MG RESISTOR	10Ω 1/10W J	1	K0,X1,K4,K3
	R131	RK73HH1J750D	MG RESISTOR	75Ω 1/16W D	1	K0,X1,K4,K3
	R132	RK73HB1J105J	MG RESISTOR	1MΩ 1/16W J	1	
	R134	RK73GB2A100J	MG RESISTOR	10Ω 1/10W J	1	
	R135	RK73HH1J750D	MG RESISTOR	75Ω 1/16W D	1	
	R136	RK73GH2A750D	MG RESISTOR	75Ω 1/10W D	1	
	R137	RK73GB2A105J	MG RESISTOR	1MΩ 1/10W J	1	K2,K1,E1,Q1,E2
	R160	RK73HH1J392D	MG RESISTOR	3.9kΩ 1/16W D	1	
	R161	RK73GB2A183J	MG RESISTOR	18kΩ 1/10W J	1	K2
	R161	RK73GB2A123J	MG RESISTOR	12kΩ 1/10W J	1	K1,K0,E1,X1,Q1,E2,K4,K3
	R162	RK73HB1J753J	MG RESISTOR	75kΩ 1/16W J	1	K2
	R162	RK73HB1J823J	MG RESISTOR	82kΩ 1/16W J	1	K1,K0,E1,X1,Q1,E2,K4,K3
	R163	RK73HB1J163J	MG RESISTOR	16kΩ 1/16W J	1	K2
	R163	RK73HB1J912J	MG RESISTOR	9.1kΩ 1/16W J	1	K1,K0,E1,X1,Q1,E2,K4,K3
	R164	RK73HB1J753J	MG RESISTOR	75kΩ 1/16W J	1	K2
	R164	RK73HB1J823J	MG RESISTOR	82kΩ 1/16W J	1	K1,K0,E1,X1,Q1,E2,K4,K3
	R165	RK73HH1J102D	MG RESISTOR	1kΩ 1/16W D	1	
	R166	RK73GB2A183J	MG RESISTOR	18kΩ 1/10W J	1	K2
	R166	RK73GB2A123J	MG RESISTOR	12kΩ 1/10W J	1	K1,K0,E1,X1,Q1,E2,K4,K3
	R167	RK73HB1J753J	MG RESISTOR	75kΩ 1/16W J	1	K2
	R167	RK73HB1J823J	MG RESISTOR	82kΩ 1/16W J	1	K1,K0,E1,X1,Q1,E2,K4,K3
	R168	RK73HB1J163J	MG RESISTOR	16kΩ 1/16W J	1	K2
	R168	RK73HB1J912J	MG RESISTOR	9.1kΩ 1/16W J	1	K1,K0,E1,X1,Q1,E2,K4,K3
	R169	RK73HB1J753J	MG RESISTOR	75kΩ 1/16W J	1	K2
	R169	RK73HB1J823J	MG RESISTOR	82kΩ 1/16W J	1	K1,K0,E1,X1,Q1,E2,K4,K3
	R170	RK73GB2A183J	MG RESISTOR	18kΩ 1/10W J	1	K2
	R170	RK73GB2A123J	MG RESISTOR	12kΩ 1/10W J	1	K1,K0,E1,X1,Q1,E2,K4,K3
	R171	RK73HB1J753J	MG RESISTOR	75kΩ 1/16W J	1	K2
	R171	RK73HB1J823J	MG RESISTOR	82kΩ 1/16W J	1	K1,K0,E1,X1,Q1,E2,K4,K3
	R172	RK73HB1J163J	MG RESISTOR	16kΩ 1/16W J	1	K2
	R172	RK73HB1J912J	MG RESISTOR	9.1kΩ 1/16W J	1	K1,K0,E1,X1,Q1,E2,K4,K3
	R173	RK73HB1J753J	MG RESISTOR	75kΩ 1/16W J	1	K2
	R173	RK73HB1J823J	MG RESISTOR	82kΩ 1/16W J	1	K1,K0,E1,X1,Q1,E2,K4,K3
	R174	RK73GB2A183J	MG RESISTOR	18kΩ 1/10W J	1	K2
	R174	RK73GB2A123J	MG RESISTOR	12kΩ 1/10W J	1	K1,K0,E1,X1,Q1,E2,K4,K3
	R175	RK73HB1J753J	MG RESISTOR	75kΩ 1/16W J	1	K2
	R175	RK73HB1J823J	MG RESISTOR	82kΩ 1/16W J	1	K1,K0,E1,X1,Q1,E2,K4,K3
	R176	RK73HB1J163J	MG RESISTOR	16kΩ 1/16W J	1	K2

MODEL	MARK	MODEL	MARK	MODEL	MARK	MODEL	MARK
DDX23BT	K2	DDX373BT	K1	DDX393	K0	DDX4016BT	E1
DDX4016BT	X1	DDX4016BTR	Q1	DDX4016DAB	E2	DDX573BH	K4
DDX593	K3						

Safe	Symbol No.	Parts No.	Parts Name	Description	QTY	Local
	R176	RK73HB1J912J	MG RESISTOR	9.1kΩ 1/16W J	1	K1,K0,E1,X1,Q1,E2,K4,K3
	R177	RK73HB1J753J	MG RESISTOR	75kΩ 1/16W J	1	K2
	R177	RK73HB1J823J	MG RESISTOR	82kΩ 1/16W J	1	K1,K0,E1,X1,Q1,E2,K4,K3
	R178	RK73GB2A183J	MG RESISTOR	18kΩ 1/10W J	1	K2
	R178	RK73GB2A123J	MG RESISTOR	12kΩ 1/10W J	1	K1,K0,E1,X1,Q1,E2,K4,K3
	R179	RK73HB1J753J	MG RESISTOR	75kΩ 1/16W J	1	K2
	R179	RK73HB1J823J	MG RESISTOR	82kΩ 1/16W J	1	K1,K0,E1,X1,Q1,E2,K4,K3
	R180	RK73HB1J163J	MG RESISTOR	16kΩ 1/16W J	1	K2
	R180	RK73HB1J912J	MG RESISTOR	9.1kΩ 1/16W J	1	K1,K0,E1,X1,Q1,E2,K4,K3
	R181	RK73HB1J753J	MG RESISTOR	75kΩ 1/16W J	1	K2
	R181	RK73HB1J823J	MG RESISTOR	82kΩ 1/16W J	1	K1,K0,E1,X1,Q1,E2,K4,K3
	R182	RK73GB2A183J	MG RESISTOR	18kΩ 1/10W J	1	K2
	R182	RK73GB2A123J	MG RESISTOR	12kΩ 1/10W J	1	K1,K0,E1,X1,Q1,E2,K4,K3
	R183	RK73HB1J753J	MG RESISTOR	75kΩ 1/16W J	1	K2
	R183	RK73HB1J823J	MG RESISTOR	82kΩ 1/16W J	1	K1,K0,E1,X1,Q1,E2,K4,K3
	R184	RK73HB1J163J	MG RESISTOR	16kΩ 1/16W J	1	K2
	R184	RK73HB1J912J	MG RESISTOR	9.1kΩ 1/16W J	1	K1,K0,E1,X1,Q1,E2,K4,K3
	R185	RK73HB1J753J	MG RESISTOR	75kΩ 1/16W J	1	K2
	R185	RK73HB1J823J	MG RESISTOR	82kΩ 1/16W J	1	K1,K0,E1,X1,Q1,E2,K4,K3
	R186	RK73GB2A472J	MG RESISTOR	4.7kΩ 1/10W J	1	
	R187	RK73GB2A472J	MG RESISTOR	4.7kΩ 1/10W J	1	
	R188	RK73GB2A472J	MG RESISTOR	4.7kΩ 1/10W J	1	
	R203	RK73HB1J000J	MG RESISTOR	0Ω 1/16W J	1	
	R204	RK73HB1J000J	MG RESISTOR	0Ω 1/16W J	1	
	R205	RK73HB1J103J	MG RESISTOR	10kΩ 1/16W J	1	
	R206	RK73HB1J103J	MG RESISTOR	10kΩ 1/16W J	1	
	R211	RK73HB1J103J	MG RESISTOR	10kΩ 1/16W J	1	
	R212	RK73HB1J153J	MG RESISTOR	15kΩ 1/16W J	1	
	R213	RK73HB1J104J	MG RESISTOR	100kΩ 1/16W J	1	
	R214	RK73HB1J104J	MG RESISTOR	100kΩ 1/16W J	1	
	R215	RK73HB1J104J	MG RESISTOR	100kΩ 1/16W J	1	
	R216	RK73HB1J104J	MG RESISTOR	100kΩ 1/16W J	1	
	R217	RK73GB2A104J	MG RESISTOR	100kΩ 1/10W J	1	
	R218	RK73GB2A104J	MG RESISTOR	100kΩ 1/10W J	1	
	R221	RK73GB2A222J	MG RESISTOR	2.2kΩ 1/10W J	1	
	R223	RK73GB2A471J	MG RESISTOR	470Ω 1/10W J	1	
	R224	RK73GB2A681J	MG RESISTOR	680Ω 1/10W J	1	
	R225	RK73GB2A101J	MG RESISTOR	100Ω 1/10W J	1	
	R226	RK73GB2A101J	MG RESISTOR	100Ω 1/10W J	1	
	R227	RK73HB1J000J	MG RESISTOR	0Ω 1/16W J	1	
	R228	RK73HB1J000J	MG RESISTOR	0Ω 1/16W J	1	
	R229	RK73HB1J822J	MG RESISTOR	8.2kΩ 1/16W J	1	
	R230	RK73GB2A512J	MG RESISTOR	5.1kΩ 1/10W J	1	
	R231	RK73HB1J124J	MG RESISTOR	120kΩ 1/16W J	1	
	R232	RK73HB1J122J	MG RESISTOR	1.2kΩ 1/16W J	1	
	R233	RK73HB1J122J	MG RESISTOR	1.2kΩ 1/16W J	1	
	R234	RK73HB1J124J	MG RESISTOR	120kΩ 1/16W J	1	
	R235	RK73HB1J333J	MG RESISTOR	33kΩ 1/16W J	1	
	R236	RK73HB1J822J	MG RESISTOR	8.2kΩ 1/16W J	1	
	R237	RK73HB1J103J	MG RESISTOR	10kΩ 1/16W J	1	
	R241	RK73HB1J103J	MG RESISTOR	10kΩ 1/16W J	1	
	R250	RK73GB2A101J	MG RESISTOR	100Ω 1/10W J	1	
	R251	RK73HB1J471J	MG RESISTOR	470Ω 1/16W J	1	
	R253	RK73HB1J223J	MG RESISTOR	22kΩ 1/16W J	1	
	R254	RK73HB1J223J	MG RESISTOR	22kΩ 1/16W J	1	
	R255	RK73HB1J471J	MG RESISTOR	470Ω 1/16W J	1	
	R256	RK73HB1J101J	MG RESISTOR	100Ω 1/16W J	1	
	R270	RK73HB1J331J	MG RESISTOR	330Ω 1/16W J	1	
	R271	RK73GB2A153J	MG RESISTOR	15kΩ 1/10W J	1	
	R272	RK73HB1J683J	MG RESISTOR	68kΩ 1/16W J	1	E1,E2
	R273	RK73HB1J103J	MG RESISTOR	10kΩ 1/16W J	1	E1,E2
	R274	RK73HB1J123J	MG RESISTOR	12kΩ 1/16W J	1	E1,E2
	R279	RK73HB1J101J	MG RESISTOR	100Ω 1/16W J	1	
	R280	RK73GB2A471J	MG RESISTOR	470Ω 1/10W J	1	
	R282	RK73HB1J000J	MG RESISTOR	0Ω 1/16W J	1	
	R283	RK73HB1J103J	MG RESISTOR	10kΩ 1/16W J	1	
	R284	RK73HB1J000J	MG RESISTOR	0Ω 1/16W J	1	
	R285	RK73HB1J000J	MG RESISTOR	0Ω 1/16W J	1	
	R286	RK73HB1J000J	MG RESISTOR	0Ω 1/16W J	1	
	R287	RK73HB1J000J	MG RESISTOR	0Ω 1/16W J	1	
	R288	RK73HB1J000J	MG RESISTOR	0Ω 1/16W J	1	
	R289	RK73HB1J000J	MG RESISTOR	0Ω 1/16W J	1	
	R290	RK73HB1J432J	MG RESISTOR	4.3kΩ 1/16W J	1	
	R291	RK73HB1J103J	MG RESISTOR	10kΩ 1/16W J	1	
	R292	RK73HB1J432J	MG RESISTOR	4.3kΩ 1/16W J	1	
	R293	RK73HB1J103J	MG RESISTOR	10kΩ 1/16W J	1	
	R294	RK73HB1J432J	MG RESISTOR	4.3kΩ 1/16W J	1	
	R295	RK73HB1J103J	MG RESISTOR	10kΩ 1/16W J	1	
	R296	RK73HB1J432J	MG RESISTOR	4.3kΩ 1/16W J	1	
	R297	RK73HB1J103J	MG RESISTOR	10kΩ 1/16W J	1	
	R298	RK73HB1J432J	MG RESISTOR	4.3kΩ 1/16W J	1	
	R299	RK73HB1J103J	MG RESISTOR	10kΩ 1/16W J	1	

MODEL	MARK	MODEL	MARK	MODEL	MARK	MODEL	MARK
DDX23BT	K2	DDX373BT	K1	DDX393	K0	DDX4016BT	E1
DDX4016BT	X1	DDX4016BTR	Q1	DDX4016DAB	E2	DDX573BH	K4
DDX593	K3						

Safe	Symbol No.	Parts No.	Parts Name	Description	QTY	Local
	R301	RK73HB1J333J	MG RESISTOR	33kΩ 1/16W J	1	
	R305	RK73EB2E6R8J	MG RESISTOR	6.8Ω 1/4W J	1	
	R306	RK73HB1J182J	MG RESISTOR	1.8kΩ 1/16W J	1	
	R309	RK73GB2A223J	MG RESISTOR	22kΩ 1/10W J	1	
	R313	RK73HB1J432J	MG RESISTOR	4.3kΩ 1/16W J	1	
	R314	RK73HB1J103J	MG RESISTOR	10kΩ 1/16W J	1	
	R320	RK73HB1J223J	MG RESISTOR	22kΩ 1/16W J	1	
	R321	RK73GB2A101J	MG RESISTOR	100Ω 1/10W J	1	
	R322	RK73HB1J471J	MG RESISTOR	470Ω 1/16W J	1	
	R330	RK73HB1J471J	MG RESISTOR	470Ω 1/16W J	1	
	R331	RK73HB1J223J	MG RESISTOR	22kΩ 1/16W J	1	
	R332	RK73GB2A101J	MG RESISTOR	100Ω 1/10W J	1	
	R340	RK73HB1J223J	MG RESISTOR	22kΩ 1/16W J	1	
	R341	RK73HB1J471J	MG RESISTOR	470Ω 1/16W J	1	
	R342	RK73GB2A101J	MG RESISTOR	100Ω 1/10W J	1	
	R350	RK73HB1J471J	MG RESISTOR	470Ω 1/16W J	1	
	R351	RK73HB1J223J	MG RESISTOR	22kΩ 1/16W J	1	
	R352	RK73GB2A101J	MG RESISTOR	100Ω 1/10W J	1	
	R360	RK73GB2A223J	MG RESISTOR	22kΩ 1/10W J	1	
	R361	RK73HB1J333J	MG RESISTOR	33kΩ 1/16W J	1	
	R362	RK73GB2A472J	MG RESISTOR	4.7kΩ 1/10W J	1	
	R363	RK73HB1J223J	MG RESISTOR	22kΩ 1/16W J	1	
	R364	RK73GB2A472J	MG RESISTOR	4.7kΩ 1/10W J	1	
	R380	RK73FB2B472J	MG RESISTOR	4.7kΩ 1/8W J	1	K2,K1,K0,X1,K4,K3
	R381	RK73GB2A000J	MG RESISTOR	0Ω 1/10W J	1	E1,Q1,E2
	R382	RK73FB2B472J	MG RESISTOR	4.7kΩ 1/8W J	1	
	R400	RK73GB2A152J	MG RESISTOR	1.5kΩ 1/10W J	1	
	R410	RK73HB1J471J	MG RESISTOR	470Ω 1/16W J	1	
	R411	RK73HB1J473J	MG RESISTOR	47kΩ 1/16W J	1	
	R412	RK73HB1J473J	MG RESISTOR	47kΩ 1/16W J	1	
	R413	RK73HB1J103J	MG RESISTOR	10kΩ 1/16W J	1	
	R414	RK73HB1J223J	MG RESISTOR	22kΩ 1/16W J	1	
	R415	RK73HB1J272J	MG RESISTOR	2.7kΩ 1/16W J	1	
	R416	RK73HB1J102J	MG RESISTOR	1kΩ 1/16W J	1	
	R430	RK73HB1J473J	MG RESISTOR	47kΩ 1/16W J	1	E2
	R431	RK73HB1J102J	MG RESISTOR	1kΩ 1/16W J	1	E2
	R432	RK73HB1J103J	MG RESISTOR	10kΩ 1/16W J	1	E2
	R433	RK73HB1J000J	MG RESISTOR	0Ω 1/16W J	1	E2
	R434	RK73HB1J473J	MG RESISTOR	47kΩ 1/16W J	1	E2
	R435	RK73HB1J473J	MG RESISTOR	47kΩ 1/16W J	1	E2
	R436	RK73HB1J473J	MG RESISTOR	47kΩ 1/16W J	1	E2
	R437	RK73HB1J102J	MG RESISTOR	1kΩ 1/16W J	1	E2
	R438	RK73HB1J152J	MG RESISTOR	1.5kΩ 1/16W J	1	E2
	R439	RK73HB1J473J	MG RESISTOR	47kΩ 1/16W J	1	E2
	R440	RK73HB1J102J	MG RESISTOR	1kΩ 1/16W J	1	E2
	R441	RK73HB1J472J	MG RESISTOR	4.7kΩ 1/16W J	1	E2
	R442	RK73HB1J473J	MG RESISTOR	47kΩ 1/16W J	1	E2
	R443	RK73GB2A000J	MG RESISTOR	0Ω 1/10W J	1	K4,K3
	R444	RK73HB1J472J	MG RESISTOR	4.7kΩ 1/16W J	1	E2,K4,K3
	R445	RK73GB2A2R2J	MG RESISTOR	2.2Ω 1/10W J	1	E2
	R446	RK73GB2A000J	MG RESISTOR	0Ω 1/10W J	1	K4,K3
	R447	RK73GB2A000J	MG RESISTOR	0Ω 1/10W J	1	K4,K3
	R448	RK73HB1J472J	MG RESISTOR	4.7kΩ 1/16W J	1	E2,K4,K3
	R449	RK73GB2A000J	MG RESISTOR	0Ω 1/10W J	1	K4,K3
	R450	RK73HB1J472J	MG RESISTOR	4.7kΩ 1/16W J	1	E2,K4,K3
	R451	RK73GB2A000J	MG RESISTOR	0Ω 1/10W J	1	K4,K3
	R452	RK73HB1J472J	MG RESISTOR	4.7kΩ 1/16W J	1	E2
	R453	RK73HB1J472J	MG RESISTOR	4.7kΩ 1/16W J	1	E2
	R454	RK73HB1J472J	MG RESISTOR	4.7kΩ 1/16W J	1	E2
	R455	RK73HB1J472J	MG RESISTOR	4.7kΩ 1/16W J	1	E2
	R456	RK73HB1J472J	MG RESISTOR	4.7kΩ 1/16W J	1	E2
	R470	RK73GB2A000J	MG RESISTOR	0Ω 1/10W J	1	K2,K1,K0,Q1,K4,K3
	R471	RK73GB2A105J	MG RESISTOR	1MΩ 1/10W J	1	E1,X1,E2
	R472	RK73HB1J105J	MG RESISTOR	1MΩ 1/16W J	1	E1,X1,E2
	R473	RK73GB2A000J	MG RESISTOR	0Ω 1/10W J	1	K2,K1,K0,Q1,K4,K3
	R474	RK73GB2A000J	MG RESISTOR	0Ω 1/10W J	1	K2,K1,K0,Q1,K4,K3
	R475	RK73HB1J105J	MG RESISTOR	1MΩ 1/16W J	1	E1,X1,E2
	R476	RK73HB1J105J	MG RESISTOR	1MΩ 1/16W J	1	E1,X1,E2
	R477	RK73HB1J105J	MG RESISTOR	1MΩ 1/16W J	1	E1,X1,E2
	R478	RK73HB1J105J	MG RESISTOR	1MΩ 1/16W J	1	E1,X1,E2
	R481	RK73HB1J000J	MG RESISTOR	0Ω 1/16W J	1	
	R482	RK73HB1J000J	MG RESISTOR	0Ω 1/16W J	1	
	R483	RK73HB1J000J	MG RESISTOR	0Ω 1/16W J	1	
	R484	RK73HH1J151D	MG RESISTOR	150Ω 1/16W D	1	
	R485	RK73HH1J151D	MG RESISTOR	150Ω 1/16W D	1	
	R486	RK73HH1J151D	MG RESISTOR	150Ω 1/16W D	1	
	R487	RK73HH1J151D	MG RESISTOR	150Ω 1/16W D	1	
	R489	RK73HB1J000J	MG RESISTOR	0Ω 1/16W J	1	
	R490	RK73HB1J000J	MG RESISTOR	0Ω 1/16W J	1	
	R500	RK73HB1J470J	MG RESISTOR	47Ω 1/16W J	1	
	R501	RK73HH1J302D	MG RESISTOR	3kΩ 1/16W D	1	
	R502	RK73HB1J200J	MG RESISTOR	20Ω 1/16W J	1	
	R503	RK73HH1J562D	MG RESISTOR	5.6kΩ 1/16W D	1	
	R505	RK73HH1J513D	MG RESISTOR	51kΩ 1/16W D	1	
	R506	RK73PB2H100J	MG RESISTOR	10Ω 1/2W J	1	
	R508	RK73EB2E000J	MG RESISTOR	0Ω 1/4W J	1	
	R510	RK73GB2A000J	MG RESISTOR	0Ω 1/10W J	1	
	R511	RK73GB2A000J	MG RESISTOR	0Ω 1/10W J	1	
	R512	RK73GH2A133D	MG RESISTOR	13kΩ 1/10W D	1	
	R513	RK73GH2A202D	MG RESISTOR	2kΩ 1/10W D	1	
	R514	RK73GH2A433D	MG RESISTOR	43kΩ 1/10W D	1	

MODEL	MARK	MODEL	MARK	MODEL	MARK	MODEL	MARK
DDX23BT	K2	DDX373BT	K1	DDX393	K0	DDX4016BT	E1
DDX4016BT	X1	DDX4016BTR	Q1	DDX4016DAB	E2	DDX573BH	K4
DDX593	K3						

Safe	Symbol No.	Parts No.	Parts Name	Description	QTY	Local
	R515	RK73GH2A822D	MG RESISTOR	8.2Ω 1/10W D	1	
	R540	RK73HB1J103J	MG RESISTOR	10kΩ 1/16W J	1	
	R541	RK73HH1J393D	MG RESISTOR	39kΩ 1/16W D	1	
	R542	RK73HB1J200J	MG RESISTOR	20Ω 1/16W J	1	
	R543	RK73HH1J183D	MG RESISTOR	18kΩ 1/16W D	1	
	R544	RK73HH1J393D	MG RESISTOR	39kΩ 1/16W D	1	
	R545	RK73HH1J683D	MG RESISTOR	68kΩ 1/16W D	1	
	R546	RK73PB2H100J	MG RESISTOR	10Ω 1/2W J	1	
	R557	RK73HB1J223J	MG RESISTOR	22kΩ 1/16W J	1	
	R558	RK73HB1J103J	MG RESISTOR	10kΩ 1/16W J	1	
	R561	RK73EB2E000J	MG RESISTOR	0Ω 1/4W J	1	
	R580	RK73HH1J393D	MG RESISTOR	39kΩ 1/16W D	1	
	R581	RK73HH1J152D	MG RESISTOR	1.5kΩ 1/16W D	1	
	R582	RK73HH1J104D	MG RESISTOR	100kΩ 1/16W D	1	
	R583	RK73HH1J103D	MG RESISTOR	10kΩ 1/16W D	1	
	R584	RK73PB2H100J	MG RESISTOR	10Ω 1/2W J	1	
	R585	RK73HH1J394D	MG RESISTOR	390kΩ 1/16W D	1	
	R586	RK73HB1J000J	MG RESISTOR	0Ω 1/16W J	1	
	R587	RK73HH1J164D	MG RESISTOR	160kΩ 1/16W D	1	
	R588	RK73HB1J000J	MG RESISTOR	0Ω 1/16W J	1	
	R589	RK73HB1J4R7J	MG RESISTOR	4.7Ω 1/16W J	1	
	R591	RK73HH1J563D	MG RESISTOR	56kΩ 1/16W D	1	
	R592	NRZ0126-R062X	MG RESISTOR	0.062Ω 1/3W J	1	
	R593	RK73EB2E560J	MG RESISTOR	56Ω 1/4W J	1	
	R594	RK73HB1J101J	MG RESISTOR	100Ω 1/16W J	1	
	R600	RK73GB2A000J	MG RESISTOR	0Ω 1/10W J	1	K4,K3
	R607	RK73GB2A4R7J	MG RESISTOR	4.7Ω 1/10W J	1	K2,K1,K0,E1,X1,Q1
	R610	RK73GB2A105J	MG RESISTOR	1MΩ 1/10W J	1	K2,K1,K0,E1,X1,Q1
	R612	RK73GB2A105J	MG RESISTOR	1MΩ 1/10W J	1	K2,K1,K0,E1,X1,Q1
	R613	RK73GB2A820J	MG RESISTOR	82Ω 1/10W J	1	K2,K1,K0,E1,X1,Q1
	R614	RK73GB2A100J	MG RESISTOR	10Ω 1/10W J	1	K2,K1,K0,E1,X1,Q1
	R620	RK73GB2A100J	MG RESISTOR	10Ω 1/10W J	1	K2,K1,K0,E1,X1,Q1
	R621	RK73GB2A102J	MG RESISTOR	1kΩ 1/10W J	1	K2,K1,K0,E1,X1,Q1
	R650	RK73GB2A470J	MG RESISTOR	47Ω 1/10W J	1	
	R651	RK73GB2A470J	MG RESISTOR	47Ω 1/10W J	1	
	R652	RK73GB2A470J	MG RESISTOR	47Ω 1/10W J	1	
	R653	RK73GB2A000J	MG RESISTOR	0Ω 1/10W J	1	E2,K4,K3
	R720	RK73HB1J473J	MG RESISTOR	47kΩ 1/16W J	1	
	R721	RK73HB1J474J	MG RESISTOR	470kΩ 1/16W J	1	
	R722	RK73HB1J473J	MG RESISTOR	47kΩ 1/16W J	1	
	R723	RK73HB1J473J	MG RESISTOR	47kΩ 1/16W J	1	
	R725	RK73HB1J123J	MG RESISTOR	12kΩ 1/16W J	1	
	R726	RK73HB1J123J	MG RESISTOR	12kΩ 1/16W J	1	
	R728	RK73HB1J753J	MG RESISTOR	75kΩ 1/16W J	1	
	R729	RK73HB1J753J	MG RESISTOR	75kΩ 1/16W J	1	E1,X1,E2
	R730	RK73HB1J753J	MG RESISTOR	75kΩ 1/16W J	1	K2,K1,K0,Q1,K4,K3
	R731	RK73HB1J223J	MG RESISTOR	22kΩ 1/16W J	1	
	R732	RK73HB1J753J	MG RESISTOR	75kΩ 1/16W J	1	
	R733	RK73HB1J154J	MG RESISTOR	150kΩ 1/16W J	1	Q1
	R734	RK73HB1J753J	MG RESISTOR	75kΩ 1/16W J	1	K2,K1,K0,E1,X1,E2,K4,K3
	R734	RK73HB1J124J	MG RESISTOR	120kΩ 1/16W J	1	Q1
	R735	RK73HB1J473J	MG RESISTOR	47kΩ 1/16W J	1	
	R736	RK73HB1J473J	MG RESISTOR	47kΩ 1/16W J	1	
	R738	RK73HB1J101J	MG RESISTOR	100Ω 1/16W J	1	
	R739	RK73GB2A101J	MG RESISTOR	100Ω 1/10W J	1	
	R740	RK73HB1J101J	MG RESISTOR	100Ω 1/16W J	1	
	R741	RK73HB1J102J	MG RESISTOR	1kΩ 1/16W J	1	
	R742	RK73HB1J102J	MG RESISTOR	1kΩ 1/16W J	1	
	R745	RK73HB1J473J	MG RESISTOR	47kΩ 1/16W J	1	
	R746	RK73HB1J473J	MG RESISTOR	47kΩ 1/16W J	1	
	R747	RK73HB1J473J	MG RESISTOR	47kΩ 1/16W J	1	
	R748	RK73HB1J123J	MG RESISTOR	12kΩ 1/16W J	1	
	R749	RK73HB1J101J	MG RESISTOR	100Ω 1/16W J	1	
	R750	RK73HB1J153J	MG RESISTOR	15kΩ 1/16W J	1	
	R751	RK73HB1J101J	MG RESISTOR	100Ω 1/16W J	1	
	R752	RK73HB1J102J	MG RESISTOR	1kΩ 1/16W J	1	
	R753	RK73HB1J223J	MG RESISTOR	22kΩ 1/16W J	1	
	R754	RK73HB1J124J	MG RESISTOR	120kΩ 1/16W J	1	K2,K1,K0,E1,X1,Q1
	R754	RK73HB1J753J	MG RESISTOR	75kΩ 1/16W J	1	E2
	R755	RK73HB1J154J	MG RESISTOR	150kΩ 1/16W J	1	K2,K1,K0,E1,X1,Q1
	R755	RK73HB1J753J	MG RESISTOR	75kΩ 1/16W J	1	K4,K3
	R756	RK73HB1J154J	MG RESISTOR	150kΩ 1/16W J	1	K2,Q1
	R756	RK73HB1J753J	MG RESISTOR	75kΩ 1/16W J	1	K0,E1,X1,E2,K4,K3
	R757	RK73HB1J124J	MG RESISTOR	120kΩ 1/16W J	1	K2,Q1
	R757	RK73HB1J753J	MG RESISTOR	75kΩ 1/16W J	1	K1
	R757	RK73HB1J103J	MG RESISTOR	10kΩ 1/16W J	1	K0,K4,K3
	R758	RK73GB2A154J	MG RESISTOR	150kΩ 1/10W J	1	
	R759	RK73HB1J104J	MG RESISTOR	100kΩ 1/16W J	1	
	R760	RK73HB1J101J	MG RESISTOR	100Ω 1/16W J	1	
	R761	RK73HB1J473J	MG RESISTOR	47kΩ 1/16W J	1	
	R762	RK73HB1J101J	MG RESISTOR	100Ω 1/16W J	1	
	R763	RK73HB1J101J	MG RESISTOR	100Ω 1/16W J	1	
	R764	RK73HB1J473J	MG RESISTOR	47kΩ 1/16W J	1	
	R765	RK73HB1J472J	MG RESISTOR	4.7kΩ 1/16W J	1	
	R766	RK73HB1J101J	MG RESISTOR	100Ω 1/16W J	1	
	R767	RK73GB2A473J	MG RESISTOR	47kΩ 1/10W J	1	
	R768	RK73HB1J473J	MG RESISTOR	47kΩ 1/16W J	1	
	R769	RK73HB1J101J	MG RESISTOR	100Ω 1/16W J	1	
	R770	RK73HB1J101J	MG RESISTOR	100Ω 1/16W J	1	
	R771	RK73HB1J101J	MG RESISTOR	100Ω 1/16W J	1	
	R772	RK73HB1J473J	MG RESISTOR	47kΩ 1/16W J	1	

MODEL	MARK	MODEL	MARK	MODEL	MARK	MODEL	MARK
DDX23BT	K2	DDX373BT	K1	DDX393	K0	DDX4016BT	E1
DDX4016BT	X1	DDX4016BTR	Q1	DDX4016DAB	E2	DDX573BH	K4
DDX593	K3						

Safe	Symbol No.	Parts No.	Parts Name	Description	QTY	Local
	R773	RK73HB1J101J	MG RESISTOR	100Ω 1/16W J	1	
	R774	RK73HB1J473J	MG RESISTOR	47kΩ 1/16W J	1	K0,K3
	R775	RK73HB1J753J	MG RESISTOR	75kΩ 1/16W J	1	K2,K1,E1,X1,Q1,E2,K4
	R779	RK73HB1J753J	MG RESISTOR	75kΩ 1/16W J	1	
	R780	RK73HB1J101J	MG RESISTOR	100Ω 1/16W J	1	
	R781	RK73HB1J472J	MG RESISTOR	4.7kΩ 1/16W J	1	
	R782	RK73HB1J101J	MG RESISTOR	100Ω 1/16W J	1	
	R783	RK73HB1J000J	MG RESISTOR	0Ω 1/16W J	1	
	R784	RK73HB1J472J	MG RESISTOR	4.7kΩ 1/16W J	1	
	R785	RK73HB1J101J	MG RESISTOR	100Ω 1/16W J	1	
	R786	RK73HB1J000J	MG RESISTOR	0Ω 1/16W J	1	
	R787	RK73HB1J101J	MG RESISTOR	100Ω 1/16W J	1	K1,K0,E1,X1,E2,K4,K3
	R788	RK73HB1J101J	MG RESISTOR	100Ω 1/16W J	1	
	R789	RK73HB1J473J	MG RESISTOR	47kΩ 1/16W J	1	K1,K0,E1,X1,E2,K4,K3
	R790	RK73HB1J101J	MG RESISTOR	100Ω 1/16W J	1	
	R791	RK73HB1J101J	MG RESISTOR	100Ω 1/16W J	1	K1,K0,E1,X1,E2,K4,K3
	R792	RK73GB2A272J	MG RESISTOR	2.7kΩ 1/10W J	1	
	R793	RK73GB2A272J	MG RESISTOR	2.7kΩ 1/10W J	1	
	R794	RK73HB1J473J	MG RESISTOR	47kΩ 1/16W J	1	
	R795	RK73HB1J101J	MG RESISTOR	100Ω 1/16W J	1	
	R799	RK73HB1J222J	MG RESISTOR	2.2kΩ 1/16W J	1	
	R800	RK73HB1J101J	MG RESISTOR	100Ω 1/16W J	1	
	R801	RK73HB1J472J	MG RESISTOR	4.7kΩ 1/16W J	1	
	R802	RK73HB1J104J	MG RESISTOR	100kΩ 1/16W J	1	
	R803	RK73HB1J473J	MG RESISTOR	47kΩ 1/16W J	1	
	R804	RK73HB1J473J	MG RESISTOR	47kΩ 1/16W J	1	K0,X1,K4,K3
	R805	RK73HB1J753J	MG RESISTOR	75kΩ 1/16W J	1	K2,K1,E1,Q1,E2
	R806	RK73HB1J473J	MG RESISTOR	47kΩ 1/16W J	1	E1,X1,Q1,E2
	R807	RK73HB1J753J	MG RESISTOR	75kΩ 1/16W J	1	K2,K1,K0,K4,K3
	R809	RK73HB1J106J	MG RESISTOR	10MΩ 1/16W J	1	
	R811	RK73HB1J000J	MG RESISTOR	0Ω 1/16W J	1	
	R812	RK73HB1J101J	MG RESISTOR	100Ω 1/16W J	1	
	R813	RK73HB1J101J	MG RESISTOR	100Ω 1/16W J	1	
	R814	RK73HB1J470J	MG RESISTOR	47Ω 1/16W J	1	
	R815	RK73HB1J470J	MG RESISTOR	47Ω 1/16W J	1	
	R816	RK73HB1J470J	MG RESISTOR	47Ω 1/16W J	1	
	R817	RK73HB1J470J	MG RESISTOR	47Ω 1/16W J	1	
	R818	RK73HB1J470J	MG RESISTOR	47Ω 1/16W J	1	
	R819	RK73HB1J470J	MG RESISTOR	47Ω 1/16W J	1	
	R820	RK73HB1J101J	MG RESISTOR	100Ω 1/16W J	1	
	R821	RK73HB1J101J	MG RESISTOR	100Ω 1/16W J	1	
	R822	RK73HB1J470J	MG RESISTOR	47Ω 1/16W J	1	
	R823	RK73HB1J470J	MG RESISTOR	47Ω 1/16W J	1	
	R830	RK73HB1J473J	MG RESISTOR	47kΩ 1/16W J	1	
	R831	RK73HB1J223J	MG RESISTOR	22kΩ 1/16W J	1	
	R832	RK73GB2A223J	MG RESISTOR	22kΩ 1/10W J	1	
	R840	RK73HB1J473J	MG RESISTOR	47kΩ 1/16W J	1	K1,K0,E1,X1,E2,K4,K3
	R841	RK73HB1J272J	MG RESISTOR	2.7kΩ 1/16W J	1	K1,K0,E1,X1,E2,K4,K3
	R842	RK73GB2A272J	MG RESISTOR	2.7kΩ 1/10W J	1	K1,K0,K4,K3
	R843	RK73HB1J101J	MG RESISTOR	100Ω 1/16W J	1	K1,K0,K4,K3
	R844	RK73HB1J473J	MG RESISTOR	47kΩ 1/16W J	1	K0,K4,K3
	R845	RK73HB1J272J	MG RESISTOR	2.7kΩ 1/16W J	1	K0,K4,K3
	R860	RK73HB1J470J	MG RESISTOR	47Ω 1/16W J	1	
	R861	RK73HH1J513D	MG RESISTOR	51kΩ 1/16W D	1	
	R862	RK73HB1J200J	MG RESISTOR	20Ω 1/16W J	1	
	R863	RK73HH1J163D	MG RESISTOR	16kΩ 1/16W D	1	
	R864	RK73HH1J513D	MG RESISTOR	51kΩ 1/16W D	1	
	R865	RK73PB2H100J	MG RESISTOR	10Ω 1/2W J	1	
	R866	RK73GB2A000J	MG RESISTOR	0Ω 1/10W J	1	
	R890	RK73GH2A123D	MG RESISTOR	12kΩ 1/10W D	1	
	R900	RK73GH2A303D	MG RESISTOR	30kΩ 1/10W D	1	
	R901	RK73GH2A433D	MG RESISTOR	43kΩ 1/10W D	1	
	R902	RK73GH2A103D	MG RESISTOR	10kΩ 1/10W D	1	
	R903	RK73GH2A512D	MG RESISTOR	5.1kΩ 1/10W D	1	
	R904	RK73EB2E100J	MG RESISTOR	10Ω 1/4W J	1	
	R921	RK73EB2E000J	MG RESISTOR	0Ω 1/4W J	1	
	R922	RK73GB2A103J	MG RESISTOR	10kΩ 1/10W J	1	
	R923	RK73GB2A223J	MG RESISTOR	22kΩ 1/10W J	1	
	R924	RK73GB2A471J	MG RESISTOR	470Ω 1/10W J	1	
	R930	RK73HB1J153J	MG RESISTOR	15kΩ 1/16W J	1	
	R931	RK73HB1J104J	MG RESISTOR	100kΩ 1/16W J	1	
	R932	RK73HB1J912J	MG RESISTOR	9.1kΩ 1/16W J	1	
	R933	RK73HB1J000J	MG RESISTOR	0Ω 1/16W J	1	E1,X1,E2
	R934	RK73HB1J101J	MG RESISTOR	100Ω 1/16W J	1	
	R936	RK73HB1J101J	MG RESISTOR	100Ω 1/16W J	1	
	R950	RK73HH1J224D	MG RESISTOR	220kΩ 1/16W D	1	
	R951	RK73GB2A224J	MG RESISTOR	220kΩ 1/10W J	1	
	R952	RK73HB1J224J	MG RESISTOR	220kΩ 1/16W J	1	
	R953	RK73EB2E153J	MG RESISTOR	15kΩ 1/4W J	1	
	R954	RK73HB1J304J	MG RESISTOR	300kΩ 1/16W J	1	
	R955	RK73HB1J304J	MG RESISTOR	300kΩ 1/16W J	1	
	R956	RK73EB2E102J	MG RESISTOR	1kΩ 1/4W J	1	
	R957	RK73EB2E102J	MG RESISTOR	1kΩ 1/4W J	1	
	R958	RK73EB2E102J	MG RESISTOR	1kΩ 1/4W J	1	
	R959	RK73HB1J623J	MG RESISTOR	62kΩ 1/16W J	1	
	R960	RK73HB1J101J	MG RESISTOR	100Ω 1/16W J	1	
	R970	RK73HH1J513D	MG RESISTOR	51kΩ 1/16W D	1	
	R971	RK73HH1J104D	MG RESISTOR	100kΩ 1/16W D	1	
	R972	RK73GH2A333D	MG RESISTOR	33kΩ 1/10W D	1	
	R973	RK73HH1J304D	MG RESISTOR	300kΩ 1/16W D	1	
	R974	RK73GH2A304D	MG RESISTOR	300kΩ 1/10W D	1	

MODEL	MARK	MODEL	MARK	MODEL	MARK	MODEL	MARK
DDX23BT	K2	DDX373BT	K1	DDX393	K0	DDX4016BT	E1
DDX4016BT	X1	DDX4016BTR	Q1	DDX4016DAB	E2	DDX573BH	K4
DDX593	K3						

Safe	Symbol No.	Parts No.	Parts Name	Description	QTY	Local
	R975	RK73HB1J224J	MG RESISTOR	220kΩ 1/16W J	1	
	R976	RK73HB1J000J	MG RESISTOR	0Ω 1/16W J	1	
	R977	RK73HH1J104D	MG RESISTOR	100kΩ 1/16W D	1	
	R978	RK73HH1J154D	MG RESISTOR	150kΩ 1/16W D	1	
	R979	RK73HB1J224J	MG RESISTOR	220kΩ 1/16W J	1	
	R980	RK73GB2A224J	MG RESISTOR	220kΩ 1/10W J	1	
	R981	RK73HB1J224J	MG RESISTOR	220kΩ 1/16W J	1	
	R990	RK73GB2A104J	MG RESISTOR	100kΩ 1/10W J	1	E1,X1,E2
	R991	RK73GB2A104J	MG RESISTOR	100kΩ 1/10W J	1	E1,X1,E2
	R992	RK73GH2A472D	MG RESISTOR	4.7kΩ 1/10W D	1	E1,X1,E2
	R993	RK73GH2A472D	MG RESISTOR	4.7kΩ 1/10W D	1	E1,X1,E2
	R994	RK73EB2E511J	MG RESISTOR	510Ω 1/4W J	1	E1,X1,E2
	R995	RK73EB2E511J	MG RESISTOR	510Ω 1/4W J	1	E1,X1,E2
	R996	RK73GB2A152J	MG RESISTOR	1.5kΩ 1/10W J	1	E1,X1,E2
	R997	RK73GB2A152J	MG RESISTOR	1.5kΩ 1/10W J	1	E1,X1,E2
	R998	RK73GB2A102J	MG RESISTOR	1kΩ 1/10W J	1	E1,X1,E2
	R999	RK73GB2A102J	MG RESISTOR	1kΩ 1/10W J	1	E1,X1,E2
	R1000	RK73GB2A681J	MG RESISTOR	680Ω 1/10W J	1	E1,X1,E2
	R1001	RK73GB2A681J	MG RESISTOR	680Ω 1/10W J	1	E1,X1,E2
	R1010	RK73HB1J124J	MG RESISTOR	120kΩ 1/16W J	1	K2,K1,E1,X1,Q1,E2,K4
	R1011	RK73HB1J154J	MG RESISTOR	150kΩ 1/16W J	1	K2,K1,E1,X1,Q1,E2,K4
	R1011	RK73HB1J753J	MG RESISTOR	75kΩ 1/16W J	1	K0,K3
	R1013	RK73HB1J473J	MG RESISTOR	47kΩ 1/16W J	1	
	R1014	RK73HB1J753J	MG RESISTOR	75kΩ 1/16W J	1	K2,K1,K0,X1,K4,K3
	R1014	RK73HB1J124J	MG RESISTOR	120kΩ 1/16W J	1	E1,Q1,E2
	R1015	RK73HB1J154J	MG RESISTOR	150kΩ 1/16W J	1	E1,Q1,E2
	R1015	RK73HB1J223J	MG RESISTOR	22kΩ 1/16W J	1	X1
	R1016	RK73HB1J101J	MG RESISTOR	100Ω 1/16W J	1	
	R1017	RK73GB2A822J	MG RESISTOR	8.2kΩ 1/10W J	1	K2
	R1017	RK73GB2A202J	MG RESISTOR	2kΩ 1/10W J	1	K1,K0,E1,X1,Q1,E2,K4,K3
	R1018	RK73HB1J163J	MG RESISTOR	16kΩ 1/16W J	1	K2
	R1018	RK73HB1J912J	MG RESISTOR	9.1kΩ 1/16W J	1	K1,K0,E1,X1,Q1,E2,K4,K3
	R1019	RK73GB2A822J	MG RESISTOR	8.2kΩ 1/10W J	1	K2
	R1019	RK73GB2A202J	MG RESISTOR	2kΩ 1/10W J	1	K1,K0,E1,X1,Q1,E2,K4,K3
	R1020	RK73HB1J163J	MG RESISTOR	16kΩ 1/16W J	1	K2
	R1020	RK73HB1J912J	MG RESISTOR	9.1kΩ 1/16W J	1	K1,K0,E1,X1,Q1,E2,K4,K3
	R1021	RK73HB1J101J	MG RESISTOR	100Ω 1/16W J	1	
	R1022	RK73GB2A822J	MG RESISTOR	8.2kΩ 1/10W J	1	K2
	R1022	RK73GB2A202J	MG RESISTOR	2kΩ 1/10W J	1	K1,K0,E1,X1,Q1,E2,K4,K3
	R1023	RK73HB1J163J	MG RESISTOR	16kΩ 1/16W J	1	K2
	R1023	RK73HB1J912J	MG RESISTOR	9.1kΩ 1/16W J	1	K1,K0,E1,X1,Q1,E2,K4,K3
	R1024	RK73GB2A822J	MG RESISTOR	8.2kΩ 1/10W J	1	K2
	R1024	RK73GB2A202J	MG RESISTOR	2kΩ 1/10W J	1	K1,K0,E1,X1,Q1,E2,K4,K3
	R1025	RK73HB1J163J	MG RESISTOR	16kΩ 1/16W J	1	K2
	R1025	RK73HB1J912J	MG RESISTOR	9.1kΩ 1/16W J	1	K1,K0,E1,X1,Q1,E2,K4,K3
	R1026	RK73HB1J101J	MG RESISTOR	100Ω 1/16W J	1	
	R1027	RK73HB1J101J	MG RESISTOR	100Ω 1/16W J	1	
	R1028	RK73GB2A822J	MG RESISTOR	8.2kΩ 1/10W J	1	K2
	R1028	RK73GB2A202J	MG RESISTOR	2kΩ 1/10W J	1	K1,K0,E1,X1,Q1,E2,K4,K3
	R1029	RK73HB1J163J	MG RESISTOR	16kΩ 1/16W J	1	K2
	R1029	RK73HB1J912J	MG RESISTOR	9.1kΩ 1/16W J	1	K1,K0,E1,X1,Q1,E2,K4,K3
	R1030	RK73GB2A822J	MG RESISTOR	8.2kΩ 1/10W J	1	K2
	R1030	RK73GB2A202J	MG RESISTOR	2kΩ 1/10W J	1	K1,K0,E1,X1,Q1,E2,K4,K3
	R1031	RK73HB1J163J	MG RESISTOR	16kΩ 1/16W J	1	K2
	R1031	RK73HB1J912J	MG RESISTOR	9.1kΩ 1/16W J	1	K1,K0,E1,X1,Q1,E2,K4,K3
	R1032	RK73HB1J101J	MG RESISTOR	100Ω 1/16W J	1	
	R1033	RK73HB1J101J	MG RESISTOR	100Ω 1/16W J	1	
	R1034	RK73HB1J473J	MG RESISTOR	47kΩ 1/16W J	1	
	R1035	RK73GB2A103J	MG RESISTOR	10kΩ 1/10W J	1	
	R1036	RK73GB2A120J	MG RESISTOR	12Ω 1/10W J	1	
	R1037	RK73HB1J000J	MG RESISTOR	0Ω 1/16W J	1	
	R1038	RK73GB2A120J	MG RESISTOR	12Ω 1/10W J	1	
	R1039	RK73HB1J000J	MG RESISTOR	0Ω 1/16W J	1	
	R1040	RK73GB2A120J	MG RESISTOR	12Ω 1/10W J	1	
	R1041	RK73HB1J000J	MG RESISTOR	0Ω 1/16W J	1	
	R1042	RK73GB2A120J	MG RESISTOR	12Ω 1/10W J	1	
	R1043	RK73HB1J000J	MG RESISTOR	0Ω 1/16W J	1	
	R1044	RK73HB1J000J	MG RESISTOR	0Ω 1/16W J	1	
	R1045	RK73HB1J000J	MG RESISTOR	0Ω 1/16W J	1	
	R1047	RK73HH1J100D	MG RESISTOR	10Ω 1/16W D	1	
	R1053	RK73EB2E000J	MG RESISTOR	0Ω 1/4W J	1	
	R1055	RK73GB2A000J	MG RESISTOR	0Ω 1/10W J	1	
	R1056	RK73GB2A102J	MG RESISTOR	1kΩ 1/10W J	1	E2,K4,K3
	R1057	RK73GB2A000J	MG RESISTOR	0Ω 1/10W J	1	
	R1059	RK73GB2A000J	MG RESISTOR	0Ω 1/10W J	1	E2,K4,K3
	R1060	RK73GB2A000J	MG RESISTOR	0Ω 1/10W J	1	K2,K1,K0,E1,X1,Q1
	R1061	RK73EB2E000J	MG RESISTOR	0Ω 1/4W J	1	E2,K4,K3
	R1062	RK73GB2A000J	MG RESISTOR	0Ω 1/10W J	1	E2,K4,K3
	R1063	RK73GB2A000J	MG RESISTOR	0Ω 1/10W J	1	E2,K4,K3
	R1064	RK73HB1J101J	MG RESISTOR	100Ω 1/16W J	1	

MODEL	MARK	MODEL	MARK	MODEL	MARK	MODEL	MARK
DDX23BT	K2	DDX373BT	K1	DDX393	K0	DDX4016BT	E1
DDX4016BT	X1	DDX4016BTR	Q1	DDX4016DAB	E2	DDX573BH	K4
DDX593	K3						

Safe	Symbol No.	Parts No.	Parts Name	Description	QTY	Local
	R1065	RK73HB1J000J	MG RESISTOR	0Ω 1/16W J	1	
	R1066	RK73GB2A000J	MG RESISTOR	0Ω 1/10W J	1	
	R1067	RK73GB2A000J	MG RESISTOR	0Ω 1/10W J	1	
	R1068	RK73GB2A000J	MG RESISTOR	0Ω 1/10W J	1	
	L60	QQR1883-002	CHOCO COIL		1	
	L480	LR73Z0AD4R7M	CHIP INDUCTOR	4.7uH	1	
	L481	LR73Z0AD4R7M	CHIP INDUCTOR	4.7uH	1	
	L482	LR79Z0AG100M	CHIP INDUCTOR	10uH	1	
	L500	LR79Z0DE220M	CHIP INDUCTOR	22uH	1	
	L540	NQLL8EM-100X	INDUCTOR	10uH M	1	
	L580	NQLL8EM-470X	INDUCTOR	47uH M	1	
	L600	LR73Z0AD4R7M	CHIP INDUCTOR	4.7uH	1	
	L601	LR73Z0AD4R7M	CHIP INDUCTOR	4.7uH	1	E2,K4,K3
	L602	LK73G0BER15K	M.CHIP INDUCTOR		1	K2,K1,K0,E1,X1,Q1
	L603	LK73G0BER12K	M.CHIP INDUCTOR		1	K2,K1,K0,E1,X1,Q1
	L604	LK73G0BE1R0K	M.CHIP INDUCTOR		1	K2,K1,K0,E1,X1,Q1
	L606	LK73G0BER22K	M.CHIP INDUCTOR		1	K2,K1,K0,E1,X1,Q1
	L607	LK73G0BER10K	M.CHIP INDUCTOR		1	K2,K1,K0,E1,X1,Q1
	L609	LK73G0BER47K	M.CHIP INDUCTOR		1	K2,K1,K0,E1,X1,Q1
	L610	LK73G0BE4R7K	M.CHIP INDUCTOR		1	K2,K1,K0,E1,X1,Q1
	L611	LR73Z0AD4R7M	CHIP INDUCTOR	4.7uH	1	K2,K1,K0,E1,X1,Q1
	L720	NQR0199-003X	FERRITE BEADS		1	
	L743	LB73H0BG-003	CHIP FERRITE		1	
	L744	LB73H0BG-003	CHIP FERRITE		1	
	L824	LB73H0BG-003	CHIP FERRITE		1	
	L825	LB73H0BG-003	CHIP FERRITE		1	
	L826	LB73H0BG-003	CHIP FERRITE		1	
	L827	LB73H0BG-003	CHIP FERRITE		1	
	L860	LR79Z0DE220M	CHIP INDUCTOR	22uH	1	
	L1010	NQR0559-010X	FERRITE BEADS		1	
	L1011	NQR0559-010X	FERRITE BEADS		1	
	L1012	LR73Z0AD4R7M	CHIP INDUCTOR	4.7uH	1	
	AT600	QAM1484-001	CAR CABLE		1	E2
	AT601	QNB0356-001	ANT TERMINAL		1	K2,K1,K0,E1,X1,Q1,K4
	CN60	QGA2501C1-02	W TO B CONNE	W-B (1-2)	1	K1,K0,K4,K3
	CN80	QGA2001C1-05	W TO B CONNE	W-B (1-5)	1	
	CN81	QGA1501F1-03	W TO B CONNE	W-B (1-3)	1	
	CN130	QGA2001C1-02	W TO B CONNE	W-B (1-2)	1	K0,X1,K4,K3
	CN410	QGA2501C1-02	W TO B CONNE	W-B (1-2)	1	
	CN480	QGF0534F7-35X	FFC/FPC CONNE	FFC/FPC (1-35)	1	
	CN650	QGF0534F7-60X	FFC/FPC CONNE	FFC/FPC (1-60)	1	
	CN652	QGF0534F7-26X	FFC/FPC CONNE	FFC/FPC (1-26)	1	K0,K4,K3
	CN654	QGF0534F7-22X	FFC/FPC CONNE	FFC/FPC (1-22)	1	K1,E1,X1,E2
△	F100	F53-0513-08	PATTERN FUSE	4A	1	
△	F130	F53-0513-08	PATTERN FUSE	4A	1	
△	F131	F53-0513-08	PATTERN FUSE	4A	1	
△	F270	F53-0513-08	PATTERN FUSE	4A	1	
△	F480	FZA10BF-1R0	FUSE (CC)	1A	1	
△	F481	FZA10BF-1R0	FUSE (CC)	1A	1	
△	F920	FZA10BF-4R0	FUSE (CC)		1	
	J60	QNZ0607-001	CAR CONNECTOR		1	
	J100	QNS0291-001	3.5 JACK		1	
	J130	QNN0890-001	PIN JACK		1	
	J220	QNS0307-001	3.5 JACK		1	
	J270	QNN0889-001	PIN JACK		1	
	K580	NQR0154-005X	FERRITE CORE		1	
	K581	NQR0154-005X	FERRITE CORE		1	
	VA100	NAF0044-270X	VARIATOR(ZNR)		1	
	VA101	NAF0044-270X	VARIATOR(ZNR)		1	
	VA102	NAF0045-180X	VARIATOR(ZNR)		1	
	VA103	NAF0045-180X	VARIATOR(ZNR)		1	
	VA130	NAF0044-270X	VARIATOR(ZNR)		1	K0,X1,K4,K3
	VA131	NAF0044-270X	VARIATOR(ZNR)		1	
	VA132	NAF0044-270X	VARIATOR(ZNR)		1	
	VA220	NAF0045-180X	VARIATOR(ZNR)		1	
	VA221	NAF0045-180X	VARIATOR(ZNR)		1	
	VA250	NAF0045-180X	VARIATOR(ZNR)		1	
	VA251	NAF0045-180X	VARIATOR(ZNR)		1	
	VA320	NAF0045-180X	VARIATOR(ZNR)		1	
	VA330	NAF0045-180X	VARIATOR(ZNR)		1	
	VA340	NAF0045-180X	VARIATOR(ZNR)		1	
	VA350	NAF0045-180X	VARIATOR(ZNR)		1	
	VA410	NAF0044-270X	VARIATOR(ZNR)		1	
	VA411	NAF0045-180X	VARIATOR(ZNR)		1	
	VA603	NAF0029-002X	ESD SUPPRESSOR		1	K2,K1,K0,E1,X1,Q1
	VA604	NAF0029-002X	ESD SUPPRESSOR		1	K2,K1,K0,E1,X1,Q1
	VA605	NAF0024-001X	ESD SUPPRESSOR		1	
	VA1010	NAF0029-002X	ESD SUPPRESSOR		1	
	X600	QAX0969-001Z	CRYSTAL		1	K2,K1,K0,E1,X1,Q1
	X720	L7J-0059-00	QUARTZ CRYSTAL		1	
	X721	L7J-0105-00	QUARTZ CRYSTAL		1	
CONTROL PWB ASSY (XJ6-0620-10) <XJ6>						
	IC1700	PIC95603-X	IR DETECT UNIT		1	
	Q1700	LSCR523UBFS8	TRANSISTOR		1	
	Q1701	LSCR523UBFS8	TRANSISTOR		1	
	Q1702	LSCR523UBFS8	TRANSISTOR		1	
	Q1703	LTC014YEBFS8	DIGI TRANSISTOR		1	
	D1700	SML-D12V8WSPQ	LED		1	
	D1701	SML-D12V8WSPQ	LED		1	
	D1703	LTRBR8SFZ1Z1X	LED		1	

MODEL	MARK	MODEL	MARK	MODEL	MARK	MODEL	MARK
DDX23BT	K2	DDX373BT	K1	DDX393	K0	DDX4016BT	E1
DDX4016BT	X1	DDX4016BTR	Q1	DDX4016DAB	E2	DDX573BH	K4
DDX593	K3						

Safe	Symbol No.	Parts No.	Parts Name	Description	QTY	Local
	D1704	LTRBR8SF/Z1Z1X	LED		1	
	C1700	CK73HBB1C103K	C CAPACITOR	0.01uF 16V K	1	
	C1701	CK73HXR0J105K	C CAPACITOR	1uF 6.3V K	1	
	C1709	CK73GBB1H103K	C CAPACITOR	0.01uF 50V K	1	
	R1700	RK73HB1J241J	MG RESISTOR	240Ω 1/16W J	1	
	R1701	RK73HB1J161J	MG RESISTOR	160Ω 1/16W J	1	
	R1703	RK73GB2A112J	MG RESISTOR	1.1kΩ 1/10W J	1	
	R1704	RK73GB2A112J	MG RESISTOR	1.1kΩ 1/10W J	1	
	R1705	RK73FB2B132J	MG RESISTOR	1.3kΩ 1/8W J	1	
	R1706	RK73FB2B132J	MG RESISTOR	1.3kΩ 1/8W J	1	
	R1707	RK73HB1J473J	MG RESISTOR	47kΩ 1/16W J	1	
	R1708	RK73GH2A181D	MG RESISTOR	180Ω 1/10W D	1	
	R1710	RK73HB1J473J	MG RESISTOR	47kΩ 1/16W J	1	
	R1711	RK73GH2A181D	MG RESISTOR	180Ω 1/10W D	1	
	R1713	RK73HB1J473J	MG RESISTOR	47kΩ 1/16W J	1	
	R1714	RK73GH2A181D	MG RESISTOR	180Ω 1/10W D	1	
	R1717	RK73HB1J182J	MG RESISTOR	1.8kΩ 1/16W J	1	
	R1718	RK73HB1J242J	MG RESISTOR	2.4kΩ 1/16W J	1	
	R1719	RK73HB1J182J	MG RESISTOR	1.8kΩ 1/16W J	1	
	R1721	RK73GB2A112J	MG RESISTOR	1.1kΩ 1/10W J	1	
	R1722	RK73GB2A112J	MG RESISTOR	1.1kΩ 1/10W J	1	
	R1724	RK73GB2A000J	MG RESISTOR	0Ω 1/10W J	1	
	R1725	RK73GB2A000J	MG RESISTOR	0Ω 1/10W J	1	
	CN1700	QGF0534F7-15X	FFC/FPC CONNE	FFC/FPC (1-15)	1	
	JS1700	QSW1279-001	ROTARY ENCODER		1	
	S1700	NSW0246-001X	TACT SWITCH		1	
	S1701	NSW0246-001X	TACT SWITCH		1	
	S1702	NSW0246-001X	TACT SWITCH		1	
	S1703	NSW0246-001X	TACT SWITCH		1	
	S1704	NSW0246-001X	TACT SWITCH		1	

VIDEO PWB ASSY (XJ8-0310-1x) <XJ8>

IC1600	ML86250LAZ07F	MOS IC			1	
IC1602	BR24T32FVT-W-X	SV-ROM IC			1	
IC1850	BD001A5WEFJ	ANALOG IC			1	
IC1860	BU33TD3WG-W	IC			1	
IC1870	BU15TD3WG-W	IC			1	
IC1880	BA2904FVM	MOS IC			1	
IC1881	NJM2831F92-X	SV-ANALOGUE IC			1	
IC1901	M12L25116A6T2	DRAM IC			1	
IC1902	M12L25116A6T2	DRAM IC			1	
IC1940	W3F-0115-00	ROM IC			1	
IC2000	STA1090	MPU IC	BGA		1	
Q1619	LTC014EUBFS8	DIGI TRANSISTOR			1	
Q1770	LTC014YEBFS8	DIGI TRANSISTOR			1	
Q1771	LSAR523UBFS8	TRANSISTOR			1	
Q1800	LSCR523UBFS8	TRANSISTOR			1	
Q1801	LSCR523UBFS8	TRANSISTOR			1	
Q1802	LSCR523UBFS8	TRANSISTOR			1	
Q1803	LSCR523UBFS8	TRANSISTOR			1	
Q1804	LSCR523UBFS8	TRANSISTOR			1	
Q1805	LSCR523UBFS8	TRANSISTOR			1	
Q1806	LSCR523UBFS8	TRANSISTOR			1	
Q1807	LSCR523UBFS8	TRANSISTOR			1	
Q1808	LSCR523UBFS8	TRANSISTOR			1	
Q1810	LTC014YEBFS8	DIGI TRANSISTOR			1	
Q1811	LTC014YEBFS8	DIGI TRANSISTOR			1	
Q1812	LTC014YEBFS8	DIGI TRANSISTOR			1	
Q1813	LTC014YEBFS8	DIGI TRANSISTOR			1	
Q1814	LSAR523UBFS8	TRANSISTOR			1	
Q1815	LSCR523UBFS8	TRANSISTOR			1	
Q1880	LSCR523UBFS8	TRANSISTOR			1	
Q1881	LSAR523UBFS8	TRANSISTOR			1	
Q1882	LSCR523UBFS8	TRANSISTOR			1	
Q1883	LTC014YEBFS8	DIGI TRANSISTOR			1	
Q1884	LTA014YEBFS8	DIGI TRANSISTOR			1	
Q1885	LTC014YEBFS8	DIGI TRANSISTOR			1	
Q1886	LSCR523UBFS8	TRANSISTOR			1	
Q1887	LSCR523UBFS8	TRANSISTOR			1	
Q1888	LTC014YEBFS8	DIGI TRANSISTOR			1	
D1790	RSB6.8SM-X	BP Z DIODE			1	
D1791	RSB6.8SM-X	BP Z DIODE			1	
D1792	RSB6.8SM-X	BP Z DIODE			1	
D1793	RSB6.8SM-X	BP Z DIODE			1	
D1794	RSB6.8SM-X	BP Z DIODE			1	
D1795	RSB6.8SM-X	BP Z DIODE			1	
D1796	RSB6.8SM-X	BP Z DIODE			1	
D1797	RSB6.8SM-X	BP Z DIODE			1	
D1881	DZ2J130M	ZENER DIODE			1	
D1882	DZ2J180M	ZENER DIODE			1	
D1883	DA2J101	DIODE			1	
C1629	CK73GXR1H104K	C CAPACITOR	0.1uF 50V K		1	
C1630	CK73HXR1A105K	C CAPACITOR	1uF 10V K		1	
C1632	CK73HBB1A104K	C CAPACITOR	0.1uF 10V K		1	
C1633	CK73HBB1A104K	C CAPACITOR	0.1uF 10V K		1	
C1634	CK73HBB1A104K	C CAPACITOR	0.1uF 10V K		1	
C1635	CK73HBB1A104K	C CAPACITOR	0.1uF 10V K		1	
C1636	CK73HBB1A104K	C CAPACITOR	0.1uF 10V K		1	
C1637	CK73HBB1A104K	C CAPACITOR	0.1uF 10V K		1	
C1638	CK73HBB1A104K	C CAPACITOR	0.1uF 10V K		1	
C1640	CK73HBB1A104K	C CAPACITOR	0.1uF 10V K		1	
C1641	CK73HBB1A104K	C CAPACITOR	0.1uF 10V K		1	

MODEL	MARK	MODEL	MARK	MODEL	MARK	MODEL	MARK
DDX23BT	K2	DDX373BT	K1	DDX393	K0	DDX4016BT	E1
DDX4016BT	X1	DDX4016BTR	Q1	DDX4016DAB	E2	DDX573BH	K4
DDX593	K3						

Safe	Symbol No.	Parts No.	Parts Name	Description	QTY	Local
	C1642	CK73HBB1A104K	C CAPACITOR	0.1uF 10V K	1	
	C1643	CK73HBB1A104K	C CAPACITOR	0.1uF 10V K	1	
	C1644	CK73HBB1A104K	C CAPACITOR	0.1uF 10V K	1	
	C1645	CK73GXR0J106M	C CAPACITOR	10uF 6.3V M	1	
	C1646	CK73GXR0J106M	C CAPACITOR	10uF 6.3V M	1	
	C1647	CK73GXR0J106M	C CAPACITOR	10uF 6.3V M	1	
	C1648	CK73GBB1H472K	C CAPACITOR	4700pF 50V K	1	
	C1649	CK73GXR0J106M	C CAPACITOR	10uF 6.3V M	1	
	C1650	CK73GXR0J106M	C CAPACITOR	10uF 6.3V M	1	
	C1651	CK73GXR0J106M	C CAPACITOR	10uF 6.3V M	1	
	C1652	CK73GXR0J106M	C CAPACITOR	10uF 6.3V M	1	
	C1653	CK73HBB1C103K	C CAPACITOR	0.01uF 16V K	1	
	C1654	CK73HBB1C103K	C CAPACITOR	0.01uF 16V K	1	
	C1655	CK73HBB1C103K	C CAPACITOR	0.01uF 16V K	1	
	C1656	CK73HBB1C103K	C CAPACITOR	0.01uF 16V K	1	
	C1657	CK73HBB1H102K	C CAPACITOR	1000pF 50V K	1	
	C1658	CK73HBB1H102K	C CAPACITOR	1000pF 50V K	1	
	C1659	CK73HBB1H102K	C CAPACITOR	1000pF 50V K	1	
	C1660	CK73HBB1A104K	C CAPACITOR	0.1uF 10V K	1	
	C1661	CK73HBB1A104K	C CAPACITOR	0.1uF 10V K	1	
	C1662	CK73HBB1A104K	C CAPACITOR	0.1uF 10V K	1	
	C1663	CK73HXR1A105K	C CAPACITOR	1uF 10V K	1	
	C1664	CK73HXR1A105K	C CAPACITOR	1uF 10V K	1	
	C1665	CK73HXR1A105K	C CAPACITOR	1uF 10V K	1	
	C1666	CC73HCH1H120J	C CAPACITOR	12pF 50V J	1	
	C1667	CC73HCH1H100D	C CAPACITOR	10pF 50V D	1	
	C1668	CK73HXR1A105K	C CAPACITOR	1uF 10V K	1	
	C1669	CK73HXR1A105K	C CAPACITOR	1uF 10V K	1	
	C1670	CK73HBB1A104K	C CAPACITOR	0.1uF 10V K	1	
	C1671	CK73HXR1A105K	C CAPACITOR	1uF 10V K	1	
	C1672	CK73GXR0J106M	C CAPACITOR	10uF 6.3V M	1	
	C1673	CK73GXR0J106M	C CAPACITOR	10uF 6.3V M	1	
	C1674	CK73GXR0J106M	C CAPACITOR	10uF 6.3V M	1	
	C1675	CK73GXR0J106M	C CAPACITOR	10uF 6.3V M	1	
	C1676	CK73HBB1A104K	C CAPACITOR	0.1uF 10V K	1	
	C1677	CK73HBB1A104K	C CAPACITOR	0.1uF 10V K	1	
	C1678	CK73HBB1H472K	C CAPACITOR	4700pF 50V K	1	
	C1790	CC73HCH1H102J	C CAPACITOR	1000pF 50V J	1	
	C1791	CC73HCH1H102J	C CAPACITOR	1000pF 50V J	1	
	C1792	CC73HCH1H102J	C CAPACITOR	1000pF 50V J	1	
	C1793	CC73HCH1H102J	C CAPACITOR	1000pF 50V J	1	
	C1794	CK73GBB1H103K	C CAPACITOR	0.01uF 50V K	1	
	C1840	CK730BF1E475K	C CAPACITOR	4.7uF 25V K	1	
	C1841	CK73HBB1A104K	C CAPACITOR	0.1uF 10V K	1	
	C1844	CK73HBB1C104K	C CAPACITOR	0.1uF 16V K	1	
	C1845	CK73HBB1C104K	C CAPACITOR	0.1uF 16V K	1	
	C1846	CK73HBB1C104K	C CAPACITOR	0.1uF 16V K	1	
	C1850	CK73HBB1C103K	C CAPACITOR	0.01uF 16V K	1	
	C1851	CK73HXR1A105K	C CAPACITOR	1uF 10V K	1	
	C1852	CK73HXR1A105K	C CAPACITOR	1uF 10V K	1	
	C1853	CK73FXR1C475K	C CAPACITOR	4.7uF 16V K	1	
	C1855	CK73HBB1C103K	C CAPACITOR	0.01uF 16V K	1	
	C1860	CK73FXR0J106K	C CAPACITOR	10uF 6.3V K	1	
	C1861	CK73HBB1A104K	C CAPACITOR	0.1uF 10V K	1	
	C1862	CK73FXR0J106K	C CAPACITOR	10uF 6.3V K	1	
	C1863	CK73FXR0J106K	C CAPACITOR	10uF 6.3V K	1	
	C1870	CK73HXR1A105K	C CAPACITOR	1uF 10V K	1	
	C1871	CK73HXR1A105K	C CAPACITOR	1uF 10V K	1	
	C1872	CK73HBB1A104K	C CAPACITOR	0.1uF 10V K	1	
	C1873	CK73GXR1H104K	C CAPACITOR	0.1uF 50V K	1	
	C1880	CK73HBB1E103K	C CAPACITOR	0.01uF 25V K	1	
	C1881	CK73GXR1H104K	C CAPACITOR	0.1uF 50V K	1	
	C1882	CK73GXR1E105K	C CAPACITOR	1uF 25V K	1	
	C1883	CK730BF1E475K	C CAPACITOR	4.7uF 25V K	1	
	C1884	CK73GXR1E105K	C CAPACITOR	1uF 25V K	1	
	C1885	CK73GXR1E105K	C CAPACITOR	1uF 25V K	1	
	C1886	CK73GXR1E105K	C CAPACITOR	1uF 25V K	1	
	C1887	CK73GXR1H104K	C CAPACITOR	0.1uF 50V K	1	
	C1888	CK73GXR1H104K	C CAPACITOR	0.1uF 50V K	1	
	C1889	CK73GXR1E105K	C CAPACITOR	1uF 25V K	1	
	C1890	CK73GXR1H104K	C CAPACITOR	0.1uF 50V K	1	
	C1891	CK73FXR0J106K	C CAPACITOR	10uF 6.3V K	1	
	C1892	CK73HBB1A104K	C CAPACITOR	0.1uF 10V K	1	
	C1893	CK73HBB1A104K	C CAPACITOR	0.1uF 10V K	1	
	C1894	CK73GXR1H104K	C CAPACITOR	0.1uF 50V K	1	
	C1895	CK73FXR0J106K	C CAPACITOR	10uF 6.3V K	1	
	C1896	CK73HBB1A104K	C CAPACITOR	0.1uF 10V K	1	
	C1897	CK73HXR1A105K	C CAPACITOR	1uF 10V K	1	
	C1898	CK73HBB1A104K	C CAPACITOR	0.1uF 10V K	1	
	C1899	CK73FXR1C106K	C CAPACITOR	10uF 16V K	1	
	C1901	CK73FXR0J106K	C CAPACITOR	10uF 6.3V K	1	
	C1902	CK73GBB1H103K	C CAPACITOR	0.01uF 50V K	1	
	C1903	CK73HBB1C103K	C CAPACITOR	0.01uF 16V K	1	
	C1904	CK73HBB1C103K	C CAPACITOR	0.01uF 16V K	1	
	C1905	CK73GBB1H103K	C CAPACITOR	0.01uF 50V K	1	
	C1906	CK73HBB1C103K	C CAPACITOR	0.01uF 16V K	1	
	C1907	CK73GBB1H103K	C CAPACITOR	0.01uF 50V K	1	
	C1908	CK73GBB1H103K	C CAPACITOR	0.01uF 50V K	1	

MODEL	MARK	MODEL	MARK	MODEL	MARK	MODEL	MARK
DDX23BT	K2	DDX373BT	K1	DDX393	K0	DDX4016BT	E1
DDX4016BT	X1	DDX4016BTR	Q1	DDX4016DAB	E2	DDX573BH	K4
DDX593	K3						

Safe	Symbol No.	Parts No.	Parts Name	Description	QTY	Local
	C1909	CK73GBB1H103K	C CAPACITOR	0.01uF 50V K	1	
	C1910	CK73GBB1H471K	C CAPACITOR	470pF 50V K	1	
	C1911	CK73FXR0J106K	C CAPACITOR	10uF 6.3V K	1	
	C1912	CK73HBB1C103K	C CAPACITOR	0.01uF 16V K	1	
	C1913	CK73GBB1H103K	C CAPACITOR	0.01uF 50V K	1	
	C1915	CK73HBB1C103K	C CAPACITOR	0.01uF 16V K	1	
	C1916	CK73GBB1H103K	C CAPACITOR	0.01uF 50V K	1	
	C1917	CK73GBB1H103K	C CAPACITOR	0.01uF 50V K	1	
	C1918	CK73GBB1H103K	C CAPACITOR	0.01uF 50V K	1	
	C1919	CK73GBB1H103K	C CAPACITOR	0.01uF 50V K	1	
	C1920	CK73GBB1H103K	C CAPACITOR	0.01uF 50V K	1	
	C1921	CK73GBB1H103K	C CAPACITOR	0.01uF 50V K	1	
	C1922	CK73HBB1C103K	C CAPACITOR	0.01uF 16V K	1	
	C1923	CK73HBB1H471K	C CAPACITOR	470pF 50V K	1	
	C1925	CK73HBB1C103K	C CAPACITOR	0.01uF 16V K	1	
	C1926	CK73GBB1H103K	C CAPACITOR	0.01uF 50V K	1	
	C1929	CK73FXR0J106K	C CAPACITOR	10uF 6.3V K	1	
	C1940	CK73FXR1C475K	C CAPACITOR	4.7uF 16V K	1	
	C1941	CK73HBB1A104K	C CAPACITOR	0.1uF 10V K	1	
	C1942	CK73HBB1A104K	C CAPACITOR	0.1uF 10V K	1	
	C1943	CK73HBB1A104K	C CAPACITOR	0.1uF 10V K	1	
	C1944	CK73HBB1A104K	C CAPACITOR	0.1uF 10V K	1	
	C1984	CK73HBB1A104K	C CAPACITOR	0.1uF 10V K	1	
	C1985	CK73FXR0J106K	C CAPACITOR	10uF 6.3V K	1	
	C1986	CK73HXR1A105K	C CAPACITOR	1uF 10V K	1	
	C1987	CK73HBB1C103K	C CAPACITOR	0.01uF 16V K	1	
	C2001	CK73FXR1C475K	C CAPACITOR	4.7uF 16V K	1	
	C2003	CK73HBB1A104K	C CAPACITOR	0.1uF 10V K	1	
	C2004	CK73HBB1A104K	C CAPACITOR	0.1uF 10V K	1	
	C2005	CK73HBB1A104K	C CAPACITOR	0.1uF 10V K	1	
	C2006	CK73HXR1A105K	C CAPACITOR	1uF 10V K	1	
	C2007	CK73HBB1C103K	C CAPACITOR	0.01uF 16V K	1	
	C2009	CK73HBB1A104K	C CAPACITOR	0.1uF 10V K	1	
	C2010	CK73HBB1A104K	C CAPACITOR	0.1uF 10V K	1	
	C2011	CK73HXR1A105K	C CAPACITOR	1uF 10V K	1	
	C2012	CK73HBB1C103K	C CAPACITOR	0.01uF 16V K	1	
	C2013	CK73HXR1A105K	C CAPACITOR	1uF 10V K	1	
	C2014	CK73HXR1A105K	C CAPACITOR	1uF 10V K	1	
	C2015	CK73HBB1A104K	C CAPACITOR	0.1uF 10V K	1	
	C2017	CK73HBB1A104K	C CAPACITOR	0.1uF 10V K	1	
	C2019	CC73HCH1H101J	C CAPACITOR	100pF 50V J	1	
	C2020	CK73FXR1C475K	C CAPACITOR	4.7uF 16V K	1	
	C2021	CK73HBB1A104K	C CAPACITOR	0.1uF 10V K	1	
	C2022	CK73HBB1A104K	C CAPACITOR	0.1uF 10V K	1	
	C2023	CK73HBB1C103K	C CAPACITOR	0.01uF 16V K	1	
	C2024	CK73HBB1C103K	C CAPACITOR	0.01uF 16V K	1	
	C2025	CK73HBB1A104K	C CAPACITOR	0.1uF 10V K	1	
	C2026	CK73HBB1A104K	C CAPACITOR	0.1uF 10V K	1	
	C2027	CK73HBB1A104K	C CAPACITOR	0.1uF 10V K	1	
	C2028	CK73HBB1A104K	C CAPACITOR	0.1uF 10V K	1	
	C2029	CK73HBB1A104K	C CAPACITOR	0.1uF 10V K	1	
	C2030	CK73HBB1A104K	C CAPACITOR	0.1uF 10V K	1	
	C2031	CK730AU1A105K	C CAPACITOR	1uF 10V K	1	
	C2032	CK73HBB1A104K	C CAPACITOR	0.1uF 10V K	1	
	C2033	CK73HBB1A104K	C CAPACITOR	0.1uF 10V K	1	
	C2035	CC73HCH1H101J	C CAPACITOR	100pF 50V J	1	
	C2036	CK73HBB1A104K	C CAPACITOR	0.1uF 10V K	1	
	C2038	CC73HCH1H040C	C CAPACITOR	4pF 50V C	1	
	C2039	CK73GXR0J475K	C CAPACITOR	4.7uF 6.3V K	1	
	C2040	CK73HBB1A104K	C CAPACITOR	0.1uF 10V K	1	
	C2042	CC73HCH1H070D	C CAPACITOR	7pF 50V D	1	
	C2043	CC73HCH1H080D	C CAPACITOR	8pF 50V D	1	
	C2044	CK73GXR0J475K	C CAPACITOR	4.7uF 6.3V K	1	
	C2045	CC73HCH1H101J	C CAPACITOR	100pF 50V J	1	
	C2046	CK73GXR0J475K	C CAPACITOR	4.7uF 6.3V K	1	
	C2047	CC73HCH1H101J	C CAPACITOR	100pF 50V J	1	
	C2048	CK73FXR0J106K	C CAPACITOR	10uF 6.3V K	1	
	C2049	CK73HBB1C103K	C CAPACITOR	0.01uF 16V K	1	
	C2050	CK73FXR0J106K	C CAPACITOR	10uF 6.3V K	1	
	C2051	CK73HBB1C103K	C CAPACITOR	0.01uF 16V K	1	
	C2056	CK73HBB1H222K	C CAPACITOR	2200pF 50V K	1	
	C2057	CK73HBB1C103K	C CAPACITOR	0.01uF 16V K	1	
	C2058	CK73FXR0J106K	C CAPACITOR	10uF 6.3V K	1	
	C2059	CK73HXR0J474K	C CAPACITOR	0.47uF 6.3V K	1	
	C2060	CK73HXR0J474K	C CAPACITOR	0.47uF 6.3V K	1	
	C2063	CK73HBB1C103K	C CAPACITOR	0.01uF 16V K	1	
	C2064	CK73FXR0J106K	C CAPACITOR	10uF 6.3V K	1	
	C2067	CK73HBB1C473K	C CAPACITOR	0.047uF 16V K	1	
	C2072	CK73HXR1A105K	C CAPACITOR	1uF 10V K	1	
	C2073	CK73HXR1A105K	C CAPACITOR	1uF 10V K	1	
	C2083	CK73HBB1H472K	C CAPACITOR	4700pF 50V K	1	
	C2086	CK73HBB1C103K	C CAPACITOR	0.01uF 16V K	1	
	R1500	RK73HB1J000J	MG RESISTOR	0Ω 1/16W J	1	
	R1501	RK73HB1J000J	MG RESISTOR	0Ω 1/16W J	1	
	R1502	RK73HB1J101J	MG RESISTOR	100Ω 1/16W J	1	
	R1503	RK73GB2A000J	MG RESISTOR	0Ω 1/10W J	1	
	R1504	RK73HB1J000J	MG RESISTOR	0Ω 1/16W J	1	
	R1600	RK73HB1J101J	MG RESISTOR	100Ω 1/16W J	1	
	R1601	RK73HB1J181J	MG RESISTOR	180Ω 1/16W J	1	
	R1602	RK73HB1J181J	MG RESISTOR	180Ω 1/16W J	1	

MODEL	MARK	MODEL	MARK	MODEL	MARK	MODEL	MARK
DDX23BT	K2	DDX373BT	K1	DDX393	K0	DDX4016BT	E1
DDX4016BT	X1	DDX4016BTR	Q1	DDX4016DAB	E2	DDX573BH	K4
DDX593	K3						

Safe	Symbol No.	Parts No.	Parts Name	Description	QTY	Local
	R1603	RK73HB1J181J	MG RESISTOR	180Ω 1/16W J	1	
	R1604	RK73HB1J181J	MG RESISTOR	180Ω 1/16W J	1	
	R1605	RK73HB1J181J	MG RESISTOR	180Ω 1/16W J	1	
	R1606	RK73HB1J181J	MG RESISTOR	180Ω 1/16W J	1	
	R1607	RK73HB1J181J	MG RESISTOR	180Ω 1/16W J	1	
	R1608	RK73HB1J181J	MG RESISTOR	180Ω 1/16W J	1	
	R1609	RK73HB1J181J	MG RESISTOR	180Ω 1/16W J	1	
	R1610	RK73HB1J181J	MG RESISTOR	180Ω 1/16W J	1	
	R1611	RK73HB1J101J	MG RESISTOR	100Ω 1/16W J	1	
	R1612	RK73HB1J181J	MG RESISTOR	180Ω 1/16W J	1	
	R1613	RK73HB1J181J	MG RESISTOR	180Ω 1/16W J	1	
	R1614	RK73HB1J181J	MG RESISTOR	180Ω 1/16W J	1	
	R1615	RK73HB1J181J	MG RESISTOR	180Ω 1/16W J	1	
	R1616	RK73HB1J181J	MG RESISTOR	180Ω 1/16W J	1	
	R1617	RK73HB1J181J	MG RESISTOR	180Ω 1/16W J	1	
	R1618	RK73HB1J181J	MG RESISTOR	180Ω 1/16W J	1	
	R1619	RK73HB1J181J	MG RESISTOR	180Ω 1/16W J	1	
	R1620	RK73HB1J101J	MG RESISTOR	100Ω 1/16W J	1	
	R1621	RK73HB1J101J	MG RESISTOR	100Ω 1/16W J	1	
	R1622	RK73HB1J101J	MG RESISTOR	100Ω 1/16W J	1	
	R1623	RK73HB1J101J	MG RESISTOR	100Ω 1/16W J	1	
	R1624	RK73HB1J101J	MG RESISTOR	100Ω 1/16W J	1	
	R1625	RK73HB1J101J	MG RESISTOR	100Ω 1/16W J	1	
	R1626	RK73HB1J101J	MG RESISTOR	100Ω 1/16W J	1	
	R1627	RK73HB1J181J	MG RESISTOR	180Ω 1/16W J	1	
	R1628	RK73HB1J101J	MG RESISTOR	100Ω 1/16W J	1	
	R1645	RK73HB1J000J	MG RESISTOR	0Ω 1/16W J	1	
	R1646	RK73HB1J101J	MG RESISTOR	100Ω 1/16W J	1	
	R1647	RK73HB1J222J	MG RESISTOR	2.2kΩ 1/16W J	1	
	R1650	RK73HB1J000J	MG RESISTOR	0Ω 1/16W J	1	
	R1651	RK73HB1J000J	MG RESISTOR	0Ω 1/16W J	1	
	R1653	RK73HB1J330J	MG RESISTOR	33Ω 1/16W J	1	
	R1654	RK73HB1J330J	MG RESISTOR	33Ω 1/16W J	1	
	R1655	RK73HB1J330J	MG RESISTOR	33Ω 1/16W J	1	
	R1656	RK73HB1J330J	MG RESISTOR	33Ω 1/16W J	1	
	R1657	RK73HB1J000J	MG RESISTOR	0Ω 1/16W J	1	
	R1658	RK73HB1J000J	MG RESISTOR	0Ω 1/16W J	1	
	R1662	RK73HB1J473J	MG RESISTOR	47kΩ 1/16W J	1	
	R1663	RK73HB1J272J	MG RESISTOR	2.7kΩ 1/16W J	1	
	R1664	RK73HB1J473J	MG RESISTOR	47kΩ 1/16W J	1	
	R1665	RK73HB1J152J	MG RESISTOR	1.5kΩ 1/16W J	1	
	R1666	RK73HB1J105J	MG RESISTOR	1MΩ 1/16W J	1	
	R1668	RK73HB1J330J	MG RESISTOR	33Ω 1/16W J	1	
	R1671	RK73HB1J102J	MG RESISTOR	1kΩ 1/16W J	1	
	R1672	RK73HB1J000J	MG RESISTOR	0Ω 1/16W J	1	
	R1674	RK73HB1J181J	MG RESISTOR	180Ω 1/16W J	1	
	R1677	RK73HB1J223J	MG RESISTOR	22kΩ 1/16W J	1	
	R1678	RK73HB1J000J	MG RESISTOR	0Ω 1/16W J	1	
	R1685	RK73HB1J000J	MG RESISTOR	0Ω 1/16W J	1	
	R1691	RK73HB1J000J	MG RESISTOR	0Ω 1/16W J	1	
	R1771	RK73HB1J000J	MG RESISTOR	0Ω 1/16W J	1	
	R1773	RK73HB1J000J	MG RESISTOR	0Ω 1/16W J	1	
	R1787	RK73GB2A103J	MG RESISTOR	10kΩ 1/10W J	1	
	R1794	RK73HB1J000J	MG RESISTOR	0Ω 1/16W J	1	
	R1796	RK73HB1J000J	MG RESISTOR	0Ω 1/16W J	1	
	R1800	RK73PB2H5R1J	MG RESISTOR	5.1Ω 1/2W J	1	
	R1801	RK73PB2H5R1J	MG RESISTOR	5.1Ω 1/2W J	1	
	R1802	RK73PB2H5R1J	MG RESISTOR	5.1Ω 1/2W J	1	
	R1803	RK73PB2H5R1J	MG RESISTOR	5.1Ω 1/2W J	1	
	R1804	RK73PB2H5R1J	MG RESISTOR	5.1Ω 1/2W J	1	
	R1805	RK73PB2H5R1J	MG RESISTOR	5.1Ω 1/2W J	1	
	R1806	RK73PB2H5R1J	MG RESISTOR	5.1Ω 1/2W J	1	
	R1807	RK73PB2H5R1J	MG RESISTOR	5.1Ω 1/2W J	1	
	R1808	RK73PB2H5R1J	MG RESISTOR	5.1Ω 1/2W J	1	
	R1809	RK73PB2H5R1J	MG RESISTOR	5.1Ω 1/2W J	1	
	R1810	RK73HB1J101J	MG RESISTOR	100Ω 1/16W J	1	
	R1811	RK73HB1J101J	MG RESISTOR	100Ω 1/16W J	1	
	R1812	RK73HB1J101J	MG RESISTOR	100Ω 1/16W J	1	
	R1813	RK73HB1J101J	MG RESISTOR	100Ω 1/16W J	1	
	R1814	RK73HB1J101J	MG RESISTOR	100Ω 1/16W J	1	
	R1815	RK73HB1J101J	MG RESISTOR	100Ω 1/16W J	1	
	R1816	RK73HB1J101J	MG RESISTOR	100Ω 1/16W J	1	
	R1817	RK73HB1J101J	MG RESISTOR	100Ω 1/16W J	1	
	R1818	RK73HB1J101J	MG RESISTOR	100Ω 1/16W J	1	
	R1820	RK73GH2A101D	MG RESISTOR	100Ω 1/10W D	1	
	R1821	RK73GH2A101D	MG RESISTOR	100Ω 1/10W D	1	
	R1822	RK73GH2A101D	MG RESISTOR	100Ω 1/10W D	1	
	R1823	RK73GH2A101D	MG RESISTOR	100Ω 1/10W D	1	
	R1824	RK73GH2A101D	MG RESISTOR	100Ω 1/10W D	1	
	R1825	RK73GH2A101D	MG RESISTOR	100Ω 1/10W D	1	
	R1826	RK73GH2A101D	MG RESISTOR	100Ω 1/10W D	1	
	R1827	RK73GH2A101D	MG RESISTOR	100Ω 1/10W D	1	
	R1828	RK73GH2A101D	MG RESISTOR	100Ω 1/10W D	1	
	R1830	RK73HH1J433D	MG RESISTOR	43kΩ 1/16W D	1	
	R1831	RK73HH1J913D	MG RESISTOR	91kΩ 1/16W D	1	
	R1832	RK73HH1J184D	MG RESISTOR	180kΩ 1/16W D	1	
	R1833	RK73HH1J434D	MG RESISTOR	430kΩ 1/16W D	1	
	R1834	RK73HH1J153D	MG RESISTOR	15kΩ 1/16W D	1	

MODEL	MARK	MODEL	MARK	MODEL	MARK	MODEL	MARK
DDX23BT	K2	DDX373BT	K1	DDX393	K0	DDX4016BT	E1
DDX4016BT	X1	DDX4016BTR	Q1	DDX4016DAB	E2	DDX573BH	K4
DDX593	K3						

Safe	Symbol No.	Parts No.	Parts Name	Description	QTY	Local
	R1835	RK73HH1J153D	MG RESISTOR	15kΩ 1/16W D	1	
	R1836	RK73HB1J102J	MG RESISTOR	1kΩ 1/16W J	1	
	R1837	RK73GB2A472J	MG RESISTOR	4.7kΩ 1/10W J	1	
	R1838	RK73GB2A472J	MG RESISTOR	4.7kΩ 1/10W J	1	
	R1839	RK73HH1J620D	MG RESISTOR	62Ω 1/16W D	1	
	R1840	RK73HH1J161D	MG RESISTOR	160Ω 1/16W D	1	
	R1841	RK73HH1J430D	MG RESISTOR	43Ω 1/16W D	1	
	R1842	RK73HH1J360D	MG RESISTOR	36Ω 1/16W D	1	
	R1843	RK73HH1J101D	MG RESISTOR	100Ω 1/16W D	1	
	R1844	RK73HH1J161D	MG RESISTOR	160Ω 1/16W D	1	
	R1845	RK73HH1J101D	MG RESISTOR	100Ω 1/16W D	1	
	R1846	RK73HH1J360D	MG RESISTOR	36Ω 1/16W D	1	
	R1847	RK73HH1J430D	MG RESISTOR	43Ω 1/16W D	1	
	R1848	RK73HH1J161D	MG RESISTOR	160Ω 1/16W D	1	
	R1849	RK73HH1J101D	MG RESISTOR	100Ω 1/16W D	1	
	R1850	RK73HB1J000J	MG RESISTOR	0Ω 1/16W J	1	
	R1857	RK73HB1J000J	MG RESISTOR	0Ω 1/16W J	1	
	R1860	RK73GB2A000J	MG RESISTOR	0Ω 1/10W J	1	
	R1863	RK73GB2A000J	MG RESISTOR	0Ω 1/10W J	1	
	R1875	RK73HB1J332J	MG RESISTOR	3.3kΩ 1/16W J	1	
	R1876	RK73HB1J473J	MG RESISTOR	47kΩ 1/16W J	1	
	R1877	RK73GB2A331J	MG RESISTOR	330Ω 1/10W J	1	
	R1878	RK73HB1J000J	MG RESISTOR	0Ω 1/16W J	1	
	R1879	RK73HB1J473J	MG RESISTOR	47kΩ 1/16W J	1	
	R1880	RK73HB1J105J	MG RESISTOR	1MΩ 1/16W J	1	
	R1881	RK73HB1J332J	MG RESISTOR	3.3kΩ 1/16W J	1	
	R1882	RK73EB2E102J	MG RESISTOR	1kΩ 1/4W J	1	
	R1885	RK73HB1J471J	MG RESISTOR	470Ω 1/16W J	1	
	R1887	RK73PB2H101J	MG RESISTOR	100Ω 1/2W J	1	
	R1888	RK73PB2H101J	MG RESISTOR	100Ω 1/2W J	1	
	R1889	RK73HB1J472J	MG RESISTOR	4.7kΩ 1/16W J	1	
	R1890	RK73HB1J104J	MG RESISTOR	100kΩ 1/16W J	1	
	R1891	RK73HH1J472D	MG RESISTOR	4.7kΩ 1/16W D	1	
	R1892	RK73HB1J000J	MG RESISTOR	0Ω 1/16W J	1	
	R1893	RK73HH1J103D	MG RESISTOR	10kΩ 1/16W D	1	
	R1894	RK73HB1J472J	MG RESISTOR	4.7kΩ 1/16W J	1	
	R1895	RK73HB1J000J	MG RESISTOR	0Ω 1/16W J	1	
	R1896	RK73EB2E392J	MG RESISTOR	3.9kΩ 1/4W J	1	
	R1897	RK73HB1J471J	MG RESISTOR	470Ω 1/16W J	1	
	R1898	RK73HB1J183J	MG RESISTOR	18kΩ 1/16W J	1	
	R1899	RK73HB1J183J	MG RESISTOR	18kΩ 1/16W J	1	
	R1900	RK73HB1J330J	MG RESISTOR	33Ω 1/16W J	1	
	R1901	RK73HB1J330J	MG RESISTOR	33Ω 1/16W J	1	
	R1902	RK73HB1J330J	MG RESISTOR	33Ω 1/16W J	1	
	R1903	RK73HB1J330J	MG RESISTOR	33Ω 1/16W J	1	
	R1904	RK73HB1J330J	MG RESISTOR	33Ω 1/16W J	1	
	R1905	RK73HB1J330J	MG RESISTOR	33Ω 1/16W J	1	
	R1906	RK73HB1J330J	MG RESISTOR	33Ω 1/16W J	1	
	R1907	RK73HB1J330J	MG RESISTOR	33Ω 1/16W J	1	
	R1908	RK73HB1J330J	MG RESISTOR	33Ω 1/16W J	1	
	R1909	RK73HB1J330J	MG RESISTOR	33Ω 1/16W J	1	
	R1910	RK73HB1J330J	MG RESISTOR	33Ω 1/16W J	1	
	R1911	RK73HB1J330J	MG RESISTOR	33Ω 1/16W J	1	
	R1912	RK73HB1J330J	MG RESISTOR	33Ω 1/16W J	1	
	R1913	RK73HB1J330J	MG RESISTOR	33Ω 1/16W J	1	
	R1914	RK73GB2A330J	MG RESISTOR	33Ω 1/10W J	1	
	R1915	RK73HB1J330J	MG RESISTOR	33Ω 1/16W J	1	
	R1916	RK73HB1J330J	MG RESISTOR	33Ω 1/16W J	1	
	R1917	RK73HB1J330J	MG RESISTOR	33Ω 1/16W J	1	
	R1918	RK73HB1J330J	MG RESISTOR	33Ω 1/16W J	1	
	R1919	RK73HB1J330J	MG RESISTOR	33Ω 1/16W J	1	
	R1920	RK73HB1J330J	MG RESISTOR	33Ω 1/16W J	1	
	R1921	RK73HB1J330J	MG RESISTOR	33Ω 1/16W J	1	
	R1922	RK73HB1J330J	MG RESISTOR	33Ω 1/16W J	1	
	R1923	RK73HB1J330J	MG RESISTOR	33Ω 1/16W J	1	
	R1924	RK73HB1J330J	MG RESISTOR	33Ω 1/16W J	1	
	R1925	RK73HB1J330J	MG RESISTOR	33Ω 1/16W J	1	
	R1926	RK73HB1J330J	MG RESISTOR	33Ω 1/16W J	1	
	R1927	RK73HB1J330J	MG RESISTOR	33Ω 1/16W J	1	
	R1928	RK73HB1J330J	MG RESISTOR	33Ω 1/16W J	1	
	R1929	RK73HB1J330J	MG RESISTOR	33Ω 1/16W J	1	
	R1930	RK73HB1J330J	MG RESISTOR	33Ω 1/16W J	1	
	R1931	RK73HB1J330J	MG RESISTOR	33Ω 1/16W J	1	
	R1932	RK73HH1J470D	MG RESISTOR	47Ω 1/16W D	1	
	R1933	RK73HB1J000J	MG RESISTOR	0Ω 1/16W J	1	
	R1934	RK73HB1J103J	MG RESISTOR	10kΩ 1/16W J	1	
	R1936	RK73HB1J000J	MG RESISTOR	0Ω 1/16W J	1	
	R1937	RK73HB1J000J	MG RESISTOR	0Ω 1/16W J	1	
	R1938	RK73GB2A000J	MG RESISTOR	0Ω 1/10W J	1	
	R1941	RK73HB1J000J	MG RESISTOR	0Ω 1/16W J	1	
	R1979	RK73EB2E000J	MG RESISTOR	0Ω 1/4W J	1	
	R1980	RK73HB1J220J	MG RESISTOR	22Ω 1/16W J	1	
	R1982	RK73HB1J103J	MG RESISTOR	10kΩ 1/16W J	1	
	R1983	RK73HB1J103J	MG RESISTOR	10kΩ 1/16W J	1	
	R1990	RK73HB1J220J	MG RESISTOR	22Ω 1/16W J	1	
	R1991	RK73HB1J220J	MG RESISTOR	22Ω 1/16W J	1	
	R1992	RK73HB1J220J	MG RESISTOR	22Ω 1/16W J	1	
	R1993	RK73HB1J220J	MG RESISTOR	22Ω 1/16W J	1	K2,K1,K0,E1,X1,Q1,E2,K4

MODEL	MARK	MODEL	MARK	MODEL	MARK	MODEL	MARK
DDX23BT	K2	DDX373BT	K1	DDX393	K0	DDX4016BT	E1
DDX4016BT	X1	DDX4016BTR	Q1	DDX4016DAB	E2	DDX573BH	K4
DDX593	K3						

Safe	Symbol No.	Parts No.	Parts Name	Description	QTY	Local
	R1994	RK73HB1J220J	MG RESISTOR	22Ω 1/16W J	1	
	R1995	RK73HB1J220J	MG RESISTOR	22Ω 1/16W J	1	
	R1996	RK73HB1J220J	MG RESISTOR	22Ω 1/16W J	1	
	R1997	RK73HB1J220J	MG RESISTOR	22Ω 1/16W J	1	
	R1998	RK73HB1J220J	MG RESISTOR	22Ω 1/16W J	1	
	R1999	RK73HB1J220J	MG RESISTOR	22Ω 1/16W J	1	
	R2003	RK73HB1J101J	MG RESISTOR	100Ω 1/16W J	1	
	R2004	RK73HB1J101J	MG RESISTOR	100Ω 1/16W J	1	
	R2005	RK73HB1J101J	MG RESISTOR	100Ω 1/16W J	1	
	R2006	RK73HB1J101J	MG RESISTOR	100Ω 1/16W J	1	
	R2007	RK73HB1J101J	MG RESISTOR	100Ω 1/16W J	1	
	R2010	RK73HB1J222J	MG RESISTOR	2.2kΩ 1/16W J	1	
	R2011	RK73GB2A222J	MG RESISTOR	2.2kΩ 1/10W J	1	
	R2013	RK73HB1J103J	MG RESISTOR	10kΩ 1/16W J	1	
	R2014	RK73HB1J472J	MG RESISTOR	4.7kΩ 1/16W J	1	
	R2015	RK73HB1J103J	MG RESISTOR	10kΩ 1/16W J	1	
	R2016	RK73HB1J103J	MG RESISTOR	10kΩ 1/16W J	1	
	R2017	RK73HB1J103J	MG RESISTOR	10kΩ 1/16W J	1	
	R2022	RK73HB1J222J	MG RESISTOR	2.2kΩ 1/16W J	1	
	R2023	RK73HB1J392J	MG RESISTOR	3.9kΩ 1/16W J	1	
	R2024	RK73HB1J392J	MG RESISTOR	3.9kΩ 1/16W J	1	
	R2025	RK73GB2A472J	MG RESISTOR	4.7kΩ 1/10W J	1	
	R2026	RK73GB2A473J	MG RESISTOR	47kΩ 1/10W J	1	
	R2029	RK73HB1J103J	MG RESISTOR	10kΩ 1/16W J	1	
	R2030	RK73HB1J101J	MG RESISTOR	100Ω 1/16W J	1	
	R2031	RK73HB1J000J	MG RESISTOR	0Ω 1/16W J	1	
	R2034	RK73GB2A330J	MG RESISTOR	33Ω 1/10W J	1	
	R2035	RK73HB1J101J	MG RESISTOR	100Ω 1/16W J	1	
	R2036	RK73HB1J101J	MG RESISTOR	100Ω 1/16W J	1	
	R2037	RK73HB1J222J	MG RESISTOR	2.2kΩ 1/16W J	1	
	R2038	RK73HB1J000J	MG RESISTOR	0Ω 1/16W J	1	
	R2039	RK73HB1J222J	MG RESISTOR	2.2kΩ 1/16W J	1	
	R2040	RK73GB2A101J	MG RESISTOR	100Ω 1/10W J	1	
	R2041	RK73HB1J472J	MG RESISTOR	4.7kΩ 1/16W J	1	
	R2042	RK73HB1J103J	MG RESISTOR	10kΩ 1/16W J	1	
	R2045	RK73HB1J330J	MG RESISTOR	33Ω 1/16W J	1	
	R2046	RK73HB1J330J	MG RESISTOR	33Ω 1/16W J	1	
	R2047	RK73HB1J330J	MG RESISTOR	33Ω 1/16W J	1	
	R2048	RK73HB1J101J	MG RESISTOR	100Ω 1/16W J	1	
	R2051	RK73HB1J330J	MG RESISTOR	33Ω 1/16W J	1	
	R2054	RK73HB1J330J	MG RESISTOR	33Ω 1/16W J	1	
	R2056	RK73HB1J330J	MG RESISTOR	33Ω 1/16W J	1	
	R2057	RK73HB1J330J	MG RESISTOR	33Ω 1/16W J	1	
	R2058	RK73HB1J103J	MG RESISTOR	10kΩ 1/16W J	1	
	R2061	RK73HB1J330J	MG RESISTOR	33Ω 1/16W J	1	
	R2062	RK73HB1J330J	MG RESISTOR	33Ω 1/16W J	1	
	R2063	RK73HB1J330J	MG RESISTOR	33Ω 1/16W J	1	
	R2064	RK73HB1J330J	MG RESISTOR	33Ω 1/16W J	1	
	R2065	RK73HB1J330J	MG RESISTOR	33Ω 1/16W J	1	
	R2066	RK73HB1J330J	MG RESISTOR	33Ω 1/16W J	1	
	R2067	RK73HB1J330J	MG RESISTOR	33Ω 1/16W J	1	
	R2068	RK73HB1J330J	MG RESISTOR	33Ω 1/16W J	1	
	R2069	RK73GB2A222J	MG RESISTOR	2.2kΩ 1/10W J	1	
	R2074	RK73HB1J330J	MG RESISTOR	33Ω 1/16W J	1	
	R2075	RK73HB1J330J	MG RESISTOR	33Ω 1/16W J	1	
	R2076	RK73HB1J330J	MG RESISTOR	33Ω 1/16W J	1	
	R2077	RK73HB1J103J	MG RESISTOR	10kΩ 1/16W J	1	
	R2081	RK73GB2A330J	MG RESISTOR	33Ω 1/10W J	1	
	R2082	RK73GB2A330J	MG RESISTOR	33Ω 1/10W J	1	
	R2083	RK73HB1J330J	MG RESISTOR	33Ω 1/16W J	1	
	R2084	RK73HB1J330J	MG RESISTOR	33Ω 1/16W J	1	
	R2086	RK73HB1J332J	MG RESISTOR	3.3kΩ 1/16W J	1	
	R2087	RK73HB1J332J	MG RESISTOR	3.3kΩ 1/16W J	1	
	R2088	RK73HB1J332J	MG RESISTOR	3.3kΩ 1/16W J	1	
	R2090	RK73HB1J000J	MG RESISTOR	0Ω 1/16W J	1	
	R2091	RK73HB1J000J	MG RESISTOR	0Ω 1/16W J	1	
	R2092	RK73HB1J332J	MG RESISTOR	3.3kΩ 1/16W J	1	
	R2093	RK73HB1J000J	MG RESISTOR	0Ω 1/16W J	1	
	R2094	RK73HB1J000J	MG RESISTOR	0Ω 1/16W J	1	
	R2095	RK73HB1J332J	MG RESISTOR	3.3kΩ 1/16W J	1	
	R2099	RK73HB1J393J	MG RESISTOR	39kΩ 1/16W J	1	
	R2100	RK73HB1J823J	MG RESISTOR	82kΩ 1/16W J	1	
	R2101	RK73HB1J103J	MG RESISTOR	10kΩ 1/16W J	1	
	R2102	RK73HB1J103J	MG RESISTOR	10kΩ 1/16W J	1	
	R2103	RK73HB1J103J	MG RESISTOR	10kΩ 1/16W J	1	
	R2104	RK73HB1J101J	MG RESISTOR	100Ω 1/16W J	1	
	R2105	RK73HB1J101J	MG RESISTOR	100Ω 1/16W J	1	
	R2106	RK73HB1J101J	MG RESISTOR	100Ω 1/16W J	1	
	R2107	RK73HB1J103J	MG RESISTOR	10kΩ 1/16W J	1	
	R2108	RK73HB1J302J	MG RESISTOR	3kΩ 1/16W J	1	
	R2109	RK73HB1J101J	MG RESISTOR	100Ω 1/16W J	1	
	R2112	RK73HB1J101J	MG RESISTOR	100Ω 1/16W J	1	
	R2113	RK73HB1J101J	MG RESISTOR	100Ω 1/16W J	1	
	R2114	RK73HB1J181J	MG RESISTOR	180Ω 1/16W J	1	
	R2115	RK73HB1J181J	MG RESISTOR	180Ω 1/16W J	1	
	R2116	RK73HB1J000J	MG RESISTOR	0Ω 1/16W J	1	
	R2117	RK73HB1J105J	MG RESISTOR	1MΩ 1/16W J	1	
	R2118	RK73HB1J000J	MG RESISTOR	0Ω 1/16W J	1	
	R2120	RK73HB1J101J	MG RESISTOR	100Ω 1/16W J	1	
	R2121	RK73HB1J101J	MG RESISTOR	100Ω 1/16W J	1	
	R2126	RK73HB1J181J	MG RESISTOR	180Ω 1/16W J	1	

MODEL	MARK	MODEL	MARK	MODEL	MARK	MODEL	MARK
DDX23BT	K2	DDX373BT	K1	DDX393	K0	DDX4016BT	E1
DDX4016BT	X1	DDX4016BTR	Q1	DDX4016DAB	E2	DDX573BH	K4
DDX593	K3						

Safe	Symbol No.	Parts No.	Parts Name	Description	QTY	Local
	R2127	RK73HB1J181J	MG RESISTOR	180Ω 1/16W J	1	
	R2128	RK73HB1J181J	MG RESISTOR	180Ω 1/16W J	1	
	R2129	RK73HB1J181J	MG RESISTOR	180Ω 1/16W J	1	
	R2130	RK73GB2A181J	MG RESISTOR	180Ω 1/10W J	1	
	R2131	RK73HB1J181J	MG RESISTOR	180Ω 1/16W J	1	
	R2133	RK73HB1J101J	MG RESISTOR	100Ω 1/16W J	1	
	R2134	RK73HB1J102J	MG RESISTOR	1kΩ 1/16W J	1	
	R2135	RK73HB1J101J	MG RESISTOR	100Ω 1/16W J	1	
	R2136	RK73HB1J181J	MG RESISTOR	180Ω 1/16W J	1	
	R2137	RK73HB1J181J	MG RESISTOR	180Ω 1/16W J	1	
	R2138	RK73HB1J181J	MG RESISTOR	180Ω 1/16W J	1	
	R2139	RK73HB1J000J	MG RESISTOR	0Ω 1/16W J	1	
	R2140	RK73HB1J181J	MG RESISTOR	180Ω 1/16W J	1	
	R2141	RK73HB1J181J	MG RESISTOR	180Ω 1/16W J	1	
	R2142	RK73HB1J181J	MG RESISTOR	180Ω 1/16W J	1	
	R2143	RK73HB1J181J	MG RESISTOR	180Ω 1/16W J	1	
	R2145	RK73HB1J101J	MG RESISTOR	100Ω 1/16W J	1	
	R2147	RK73HB1J103J	MG RESISTOR	10kΩ 1/16W J	1	
	R2150	RK73HB1J181J	MG RESISTOR	180Ω 1/16W J	1	
	R2151	RK73HB1J181J	MG RESISTOR	180Ω 1/16W J	1	
	R2152	RK73HB1J181J	MG RESISTOR	180Ω 1/16W J	1	
	R2153	RK73HB1J181J	MG RESISTOR	180Ω 1/16W J	1	
	R2154	RK73HB1J181J	MG RESISTOR	180Ω 1/16W J	1	
	R2155	RK73HB1J181J	MG RESISTOR	180Ω 1/16W J	1	
	R2157	RK73HB1J000J	MG RESISTOR	0Ω 1/16W J	1	
	R2182	RK73HH1J622D	MG RESISTOR	6.2kΩ 1/16W D	1	
	R2183	RK73HH1J113D	MG RESISTOR	11kΩ 1/16W D	1	
	R2184	RK73GB2A000J	MG RESISTOR	0Ω 1/10W J	1	
	L1601	LB73G0BK-003	CHIP FERRITE		1	
	L1602	LB73G0BK-003	CHIP FERRITE		1	
	L1603	LB73G0BK-003	CHIP FERRITE		1	
	L1604	LB73G0BK-003	CHIP FERRITE		1	
	L1626	NQR0559-010X	FERRITE BEADS		1	
	L1627	NQR0559-008X	FERRITE BEADS		1	
	L2000	LR73Z0AD4R7M	CHIP INDUCTOR	4.7uH	1	
	L2001	LR73Z0AD4R7M	CHIP INDUCTOR	4.7uH	1	
	L2002	LB73H0BU-005	CHIP FERRITE		1	
	L2003	NQR0559-010X	FERRITE BEADS		1	
	L2004	LR73Z0AD4R7M	CHIP INDUCTOR	4.7uH	1	
	L2006	LB73G0BK-006	CHIP FERRITE		1	
	L2008	LB73G0BK-006	CHIP FERRITE		1	
	L2070	NQR0286-010X	FERRITE BEADS		1	
	L2071	NQR0286-010X	FERRITE BEADS		1	
	L2072	NQR0286-010X	FERRITE BEADS		1	
	L2073	NQR0286-010X	FERRITE BEADS		1	
	CN1771	QGF0534F7-15X	FFC/FPC CONNE	FFC/FPC (1-15)	1	
	CN1790	EC710AU-1004A	FFC FPC CONNE		1	
	CN1800	QGF0534F7-60X	FFC/FPC CONNE	FFC/FPC (1-60)	1	
	CN1805	QGA3501F1-02X	CONNECTOR	W-B (1-2)	1	
	CN1980	W0C-0167-00	CIRCUIT MODULE		1	K2,K1,K0,E1,X1,Q1,E2,K4
	CN1980	W0C-0168-00	CIRCUIT MODULE		1	K3
	CN2000	QGF0534F7-60X	FFC/FPC CONNE	FFC/FPC (1-60)	1	
	P2001	E2D-0044-00	GROUND TERMINAL		1	
	X1502	L7J-0092-00	QUARTZ CRYSTAL		1	
	X1600	L7J-0101-00	QUARTZ CRYSTAL		1	

DAUGHTER PWB ASSY (XJF-011x-xx) <XJF>

IC1	NJM4565E	BIPOLAR IC			1	K0,K4,K3
D1	DZ2J068M	ZENER DIODE			1	K1,K0,E1,X1,E2,K4,K3
C1	CK73GBB1C105K	C CAPACITOR	1uF 16V K		1	K0,K4,K3
C2	CK73GBB1C105K	C CAPACITOR	1uF 16V K		1	K0,K4,K3
C3	CK73GBB1C105K	C CAPACITOR	1uF 16V K		1	K0,K4,K3
C4	CK73GBB1C105K	C CAPACITOR	1uF 16V K		1	K0,K4,K3
C5	CK73HBB1H331K	C CAPACITOR	330pF 50V K		1	K0,K4,K3
C6	CK73GXR0J106M	C CAPACITOR	10uF 6.3V M		1	K0,K4,K3
C7	CK73HBB1H331K	C CAPACITOR	330pF 50V K		1	K0,K4,K3
C9	CK73HBB1C104K	C CAPACITOR	0.1uF 16V K		1	K1,K0,E1,X1,E2,K4,K3
C10	CK73HBB1H221K	C CAPACITOR	220pF 50V K		1	K0,K4,K3
C11	CK73HBB1H221K	C CAPACITOR	220pF 50V K		1	K0,K4,K3
C12	CK73HBB1H221K	C CAPACITOR	220pF 50V K		1	K0,K4,K3
C13	CK73HBB1H221K	C CAPACITOR	220pF 50V K		1	K0,K4,K3
C14	CK73GXR0J106M	C CAPACITOR	10uF 6.3V M		1	K0,K4,K3
C15	CK73HBB1H103K	C CAPACITOR	0.01uF 50V K		1	K0,K4,K3
C16	CK73GBB1C105K	C CAPACITOR	1uF 16V K		1	K0,K4,K3
C17	CK73GBB1C105K	C CAPACITOR	1uF 16V K		1	K0,K4,K3
C18	CK73HBB1H102K	C CAPACITOR	1000pF 50V K		1	K1,K0,E1,X1,E2,K4,K3
C19	CK73HBB1H102K	C CAPACITOR	1000pF 50V K		1	K1,K0,E1,X1,E2,K4,K3
C20	CK73HBB1H102K	C CAPACITOR	1000pF 50V K		1	K1,K0,E1,X1,E2,K4,K3
C21	CK73HBB1H102K	C CAPACITOR	1000pF 50V K		1	K1,K0,E1,X1,E2,K4,K3
C22	CK73GBB1C105K	C CAPACITOR	1uF 16V K		1	K1,K0,E1,X1,E2,K4,K3
C23	CK73GXR0J106M	C CAPACITOR	10uF 6.3V M		1	K1,K0,E1,X1,E2,K4,K3
C24	CK73GBB1C105K	C CAPACITOR	1uF 16V K		1	K1,K0,E1,X1,E2,K4,K3
C25	CK73GBB1C104K	C CAPACITOR	0.1uF 16V K		1	E1,X1,E2
R1	RK73HB1J153J	MG RESISTOR	15kΩ 1/16W J		1	K0,K4,K3
R2	RK73HB1J103J	MG RESISTOR	10kΩ 1/16W J		1	K0,K4,K3
R3	RK73HB1J103J	MG RESISTOR	10kΩ 1/16W J		1	K0,K4,K3
R4	RK73HB1J153J	MG RESISTOR	15kΩ 1/16W J		1	K0,K4,K3
R5	RK73HB1J153J	MG RESISTOR	15kΩ 1/16W J		1	K0,K4,K3
R6	RK73HB1J153J	MG RESISTOR	15kΩ 1/16W J		1	K0,K4,K3
R7	RK73HB1J153J	MG RESISTOR	15kΩ 1/16W J		1	K0,K4,K3
R8	RK73HB1J153J	MG RESISTOR	15kΩ 1/16W J		1	K0,K4,K3
R10	RK73HB1J472J	MG RESISTOR	4.7kΩ 1/16W J		1	K0,K4,K3

MODEL	MARK	MODEL	MARK	MODEL	MARK	MODEL	MARK
DDX23BT	K2	DDX373BT	K1	DDX393	K0	DDX4016BT	E1
DDX4016BT	X1	DDX4016BTR	Q1	DDX4016DAB	E2	DDX573BH	K4
DDX593	K3						

Safe	Symbol No.	Parts No.	Parts Name	Description	QTY	Local
	R11	RK73HB1J472J	MG RESISTOR	4.7kΩ 1/16W J	1	K0,K4,K3
	R13	RK73HB1J472J	MG RESISTOR	4.7kΩ 1/16W J	1	K0,K4,K3
	R14	RK73HB1J153J	MG RESISTOR	15kΩ 1/16W J	1	K0,K4,K3
	R16	RK73HB1J153J	MG RESISTOR	15kΩ 1/16W J	1	K0,K4,K3
	R17	RK73HB1J472J	MG RESISTOR	4.7kΩ 1/16W J	1	K0,K4,K3
	R18	RK73HB1J103J	MG RESISTOR	10kΩ 1/16W J	1	K0,K4,K3
	R19	RK73HB1J103J	MG RESISTOR	10kΩ 1/16W J	1	K0,K4,K3
	R20	RK73GB2A101J	MG RESISTOR	100Ω 1/10W J	1	K1,K0,E1,X1,E2,K4,K3
	R21	RK73HB1J220J	MG RESISTOR	22Ω 1/16W J	1	K0,K4,K3
	R22	RK73HB1J220J	MG RESISTOR	22Ω 1/16W J	1	K0,K4,K3
	R23	RK73GB2A101J	MG RESISTOR	100Ω 1/10W J	1	K1,K0,E1,X1,E2,K4,K3
	R24	RK73GB2A102J	MG RESISTOR	1kΩ 1/10W J	1	K1,K0,E1,X1,E2,K4,K3
	R25	RK73GB2A101J	MG RESISTOR	100Ω 1/10W J	1	K1,K0,E1,X1,E2,K4,K3
	R26	RK73GB2A100J	MG RESISTOR	10Ω 1/10W J	1	K1,K0,E1,X1,E2,K4,K3
	R27	RK73GB2A4R7J	MG RESISTOR	4.7Ω 1/10W J	1	K1,K0,E1,X1,E2,K4,K3
	R28	RK73GB2A100J	MG RESISTOR	10Ω 1/10W J	1	K1,K0,E1,X1,E2,K4,K3
	R29	RK73GB2A100J	MG RESISTOR	10Ω 1/10W J	1	E1,X1,E2
	R30	RK73HB1J000J	MG RESISTOR	0Ω 1/16W J	1	K1,K0,E1,X1,E2,K4,K3
	R31	RK73GB2A101J	MG RESISTOR	100Ω 1/10W J	1	E1,X1,E2
	R32	RK73HB1J000J	MG RESISTOR	0Ω 1/16W J	1	K1,K0,E1,X1,E2,K4,K3
	R33	RK73GB2A101J	MG RESISTOR	100Ω 1/10W J	1	E1,X1,E2
	R34	RK73HB1J000J	MG RESISTOR	0Ω 1/16W J	1	K1,K0,E1,X1,E2,K4,K3
	R35	RK73GB2A101J	MG RESISTOR	100Ω 1/10W J	1	E1,X1,E2
	R36	RK73HH1J750D	MG RESISTOR	75Ω 1/16W D	1	E1,X1,E2
	R37	RK73HH1J750D	MG RESISTOR	75Ω 1/16W D	1	E1,X1,E2
	R38	RK73HH1J750D	MG RESISTOR	75Ω 1/16W D	1	E1,X1,E2
	R39	RK73HH1J750D	MG RESISTOR	75Ω 1/16W D	1	E1,X1,E2
	R41	RK73HB1J000J	MG RESISTOR	0Ω 1/16W J	1	K0,K4,K3
	R42	RK73HB1J000J	MG RESISTOR	0Ω 1/16W J	1	K0,K4,K3
	R43	RK73HB1J000J	MG RESISTOR	0Ω 1/16W J	1	K0,K4,K3
	R44	RK73GB2A101J	MG RESISTOR	100Ω 1/10W J	1	E1,X1,E2
	R45	RK73GB2A101J	MG RESISTOR	100Ω 1/10W J	1	E1,X1,E2
	R46	RK73GB2A000J	MG RESISTOR	0Ω 1/10W J	1	K1,E1,X1,E2
	R46	RK73GB2A100J	MG RESISTOR	10Ω 1/10W J	1	K0,K4,K3
	R47	RK73HB1J000J	MG RESISTOR	0Ω 1/16W J	1	K0,K4,K3
	R48	RK73HB1J000J	MG RESISTOR	0Ω 1/16W J	1	K0,K4,K3
	CN1	QGA2501C1-02	W TO B CONNE	W-B (1-2)	1	K1,K0,K4,K3
	CN3	QGF0534F7-26X	FFC/FPC CONNE	FFC/FPC (1-26)	1	K0,K4,K3
	CN4	QGF0534F7-22X	FFC/FPC CONNE	FFC/FPC (1-22)	1	K1,E1,X1,E2
	CN5	QGA2021F1-04	W TO B CONNE	W-B (1-4)	1	K0,K4,K3
△	F1	F53-0513-08	PATTERN FUSE	4A	1	
△	F3	F53-0513-08	PATTERN FUSE	4A	1	
△	F4	F53-0513-08	PATTERN FUSE	4A	1	
	J2	QNZ0907-001	CIR CONNECTOR		1	K1,K0,K4,K3
	J3	QND0162-001	DIN CONNECTOR		1	E1,X1,E2
	J4	QNS0307-001	3.5 JACK		1	K0,E1,X1,E2,K4,K3
	VA2	NAF0044-270X	VARIATOR(ZNR)		1	K0,K4,K3
	VA3	NAF0044-270X	VARIATOR(ZNR)		1	K0,K4,K3
	VA4	NAF0044-270X	VARIATOR(ZNR)		1	K1,K0,E1,X1,E2,K4,K3
	VA5	NAF0044-270X	VARIATOR(ZNR)		1	K1,K0,E1,X1,E2,K4,K3
	VA6	NAF0045-180X	VARIATOR(ZNR)		1	K1,K0,E1,X1,E2,K4,K3
	VA7	NAF0045-180X	VARIATOR(ZNR)		1	K1,K0,E1,X1,E2,K4,K3
	VA8	NAF0045-180X	VARIATOR(ZNR)		1	K1,K0,E1,X1,E2,K4,K3
	VA9	NAF0045-180X	VARIATOR(ZNR)		1	K1,K0,E1,X1,E2,K4,K3
	VA10	NAF0044-270X	VARIATOR(ZNR)		1	E1,X1,E2
	VA11	NAF0044-270X	VARIATOR(ZNR)		1	E1,X1,E2
	VA12	NAF0044-270X	VARIATOR(ZNR)		1	E1,X1,E2
	VA13	NAF0044-270X	VARIATOR(ZNR)		1	E1,X1,E2
	VA14	NAF0045-180X	VARIATOR(ZNR)		1	K0,E1,X1,E2,K4,K3
	VA15	NAF0045-180X	VARIATOR(ZNR)		1	K0,E1,X1,E2,K4,K3
HD TUNER PWB ASSY (XJM-0120-12) <XJM>						
	IC1	SI4763-A42-GM	MOS IC		1	K4,K3
	IC2	SI4613-A10-GM	MOS IC		1	K4,K3
	IC3	W3F-0022-00	ROM IC		1	K4,K3
	IC4	XC6213B182N-G	MOS IC		1	K4,K3
	C2	CC73HCH1H101J	C CAPACITOR	100pF 50V J	1	K4,K3
	C3	CK73HBB1H222K	C CAPACITOR	2200pF 50V K	1	K4,K3
	C4	CK73HBB1H222K	C CAPACITOR	2200pF 50V K	1	K4,K3
	C5	CK73HBB1H222K	C CAPACITOR	2200pF 50V K	1	K4,K3
	C6	CK73FXR1C106K	C CAPACITOR	10uF 16V K	1	K4,K3
	C7	CK73GBB1H222K	C CAPACITOR	2200pF 50V K	1	K4,K3
	C8	CK73GBB1H102K	C CAPACITOR	1000pF 50V K	1	K4,K3
	C9	CC73GCH1H390J	C CAPACITOR	39pF 50V J	1	K4,K3
	C10	CC73GCH1H270J	C CAPACITOR	27pF 50V J	1	K4,K3
△	C15	CC73GCH1H010C	C CAPACITOR	1pF 50V C	1	K4,K3
	C16	CC73GCH1H050C	C CAPACITOR	5pF 50V C	1	K4,K3
	C18	CK73GBB1C104K	C CAPACITOR	0.1uF 16V K	1	K4,K3
	C19	CK73GBB1H103K	C CAPACITOR	0.01uF 50V K	1	K4,K3
	C20	CK73FXR1C106K	C CAPACITOR	10uF 16V K	1	K4,K3
	C21	CK73GBB1C104K	C CAPACITOR	0.1uF 16V K	1	K4,K3
	C22	CK73GBB1H102K	C CAPACITOR	1000pF 50V K	1	K4,K3
	C25	CK73GBB1H682K	C CAPACITOR	6800pF 50V K	1	K4,K3
	C26	CK73GBB1H682K	C CAPACITOR	6800pF 50V K	1	K4,K3
	C27	CK73GXR1C105K	C CAPACITOR	1uF 16V K	1	K4,K3
	C28	CK73GXR1C105K	C CAPACITOR	1uF 16V K	1	K4,K3
	C29	CC73HCH1H060D	C CAPACITOR	6pF 50V D	1	K4,K3
	C30	CC73HCH1H060D	C CAPACITOR	6pF 50V D	1	K4,K3
	C32	CK73GXR1C105K	C CAPACITOR	1uF 16V K	1	K4,K3
	C33	CK73GXR1C105K	C CAPACITOR	1uF 16V K	1	K4,K3

MODEL	MARK	MODEL	MARK	MODEL	MARK	MODEL	MARK
DDX23BT	K2	DDX373BT	K1	DDX393	K0	DDX4016BT	E1
DDX4016BT	X1	DDX4016BTR	Q1	DDX4016DAB	E2	DDX573BH	K4
DDX593	K3						

Safe	Symbol No.	Parts No.	Parts Name	Description	QTY	Local	
	C101	CC73GCH1H220J	C CAPACITOR	22pF 50V J	1	K4,K3	
	C102	CC73GCH1H220J	C CAPACITOR	22pF 50V J	1	K4,K3	
	C103	CC73GCH1H220J	C CAPACITOR	22pF 50V J	1	K4,K3	
	C120	CC73GCH1H020C	C CAPACITOR	2pF 50V C	1	K4,K3	
	C121	CK73HBB1C104K	C CAPACITOR	0.1uF 16V K	1	K4,K3	
	C122	CK73GBB1H102K	C CAPACITOR	1000pF 50V K	1	K4,K3	
	C123	CC73HCH1H180J	C CAPACITOR	18pF 50V J	1	K4,K3	
	C124	CC73HCH1H180J	C CAPACITOR	18pF 50V J	1	K4,K3	
	C125	CC73HCH1H180J	C CAPACITOR	18pF 50V J	1	K4,K3	
	C127	CK73GBB1C104K	C CAPACITOR	0.1uF 16V K	1	K4,K3	
	C128	CC73GCH1H020C	C CAPACITOR	2pF 50V C	1	K4,K3	
	C129	CK73HBB1H222K	C CAPACITOR	2200pF 50V K	1	K4,K3	
	C131	CC73HCH1H180J	C CAPACITOR	18pF 50V J	1	K4,K3	
	C143	CK73HBB1H222K	C CAPACITOR	2200pF 50V K	1	K4,K3	
	C144	CK73HBB1H222K	C CAPACITOR	2200pF 50V K	1	K4,K3	
	C146	CK73HBB1H222K	C CAPACITOR	2200pF 50V K	1	K4,K3	
	R1	RK73GB2A000J	MG RESISTOR	0Ω 1/10W J	1	K4,K3	
	R3	RK73GB2A240J	MG RESISTOR	24Ω 1/10W J	1	K4,K3	
	R4	RK73GB2A474J	MG RESISTOR	470kΩ 1/10W J	1	K4,K3	
	R5	RK73GB2A474J	MG RESISTOR	470kΩ 1/10W J	1	K4,K3	
	R10	RK73HB1J222J	MG RESISTOR	2.2kΩ 1/16W J	1	K4,K3	
	R11	RK73HB1J222J	MG RESISTOR	2.2kΩ 1/16W J	1	K4,K3	
	R12	RK73HB1J103J	MG RESISTOR	10kΩ 1/16W J	1	K4,K3	
	R14	RK73GB2A471J	MG RESISTOR	470Ω 1/10W J	1	K4,K3	
	R16	RK73HB1J470J	MG RESISTOR	47Ω 1/16W J	1	K4,K3	
	R17	RK73HB1J470J	MG RESISTOR	47Ω 1/16W J	1	K4,K3	
	R18	RK73HB1J470J	MG RESISTOR	47Ω 1/16W J	1	K4,K3	
	R20	RK73GB2A000J	MG RESISTOR	0Ω 1/10W J	1	K4,K3	
	R26	RK73HB1J000J	MG RESISTOR	0Ω 1/16W J	1	K4,K3	
	R29	RK73GB2A000J	MG RESISTOR	0Ω 1/10W J	1	K4,K3	
	R30	RK73GB2A000J	MG RESISTOR	0Ω 1/10W J	1	K4,K3	
	R31	RK73GB2A000J	MG RESISTOR	0Ω 1/10W J	1	K4,K3	
	R39	RK73GB2A102J	MG RESISTOR	1kΩ 1/10W J	1	K4,K3	
	R40	RK73GB2A000J	MG RESISTOR	0Ω 1/10W J	1	K4,K3	
	R41	RK73GB2A000J	MG RESISTOR	0Ω 1/10W J	1	K4,K3	
	R42	RK73GB2A000J	MG RESISTOR	0Ω 1/10W J	1	K4,K3	
	R43	RK73GB2A000J	MG RESISTOR	0Ω 1/10W J	1	K4,K3	
	R44	RK73GB2A000J	MG RESISTOR	0Ω 1/10W J	1	K4,K3	
	R51	RK73HB1J000J	MG RESISTOR	0Ω 1/16W J	1	K4,K3	
	R52	RK73HB1J000J	MG RESISTOR	0Ω 1/16W J	1	K4,K3	
	R53	RK73HB1J000J	MG RESISTOR	0Ω 1/16W J	1	K4,K3	
	R54	RK73HB1J000J	MG RESISTOR	0Ω 1/16W J	1	K4,K3	
	R103	RK73GB2A000J	MG RESISTOR	0Ω 1/10W J	1	K4,K3	
	R104	RK73GB2A000J	MG RESISTOR	0Ω 1/10W J	1	K4,K3	
	R105	RK73GB2A000J	MG RESISTOR	0Ω 1/10W J	1	K4,K3	
	R107	RK73HB1J000J	MG RESISTOR	0Ω 1/16W J	1	K4,K3	
	R108	RK73HB1J000J	MG RESISTOR	0Ω 1/16W J	1	K4,K3	
	R109	RK73GB2A000J	MG RESISTOR	0Ω 1/10W J	1	K4,K3	
	R110	RK73GB2A000J	MG RESISTOR	0Ω 1/10W J	1	K4,K3	
	R111	RK73GB2A000J	MG RESISTOR	0Ω 1/10W J	1	K4,K3	
	R112	RK73GB2A000J	MG RESISTOR	0Ω 1/10W J	1	K4,K3	
	R114	RK73HB1J470J	MG RESISTOR	47Ω 1/16W J	1	K4,K3	
	R115	RK73GB2A223J	MG RESISTOR	22kΩ 1/10W J	1	K4,K3	
	R116	RK73GB2A223J	MG RESISTOR	22kΩ 1/10W J	1	K4,K3	
	R121	RK73GB2A470J	MG RESISTOR	47Ω 1/10W J	1	K4,K3	
	R122	RK73GB2A470J	MG RESISTOR	47Ω 1/10W J	1	K4,K3	
	R123	RK73GB2A470J	MG RESISTOR	47Ω 1/10W J	1	K4,K3	
	R124	RK73GB2A470J	MG RESISTOR	47Ω 1/10W J	1	K4,K3	
	R127	RK73GB2A470J	MG RESISTOR	47Ω 1/10W J	1	K4,K3	
	R129	RK73HB1J470J	MG RESISTOR	47Ω 1/16W J	1	K4,K3	
	R140	RK73GB2A000J	MG RESISTOR	0Ω 1/10W J	1	K4,K3	
	R141	RK73HB1J103J	MG RESISTOR	10kΩ 1/16W J	1	K4,K3	
	R142	RK73HB1J103J	MG RESISTOR	10kΩ 1/16W J	1	K4,K3	
	R143	RK73HB1J103J	MG RESISTOR	10kΩ 1/16W J	1	K4,K3	
	R144	RK73HB1J103J	MG RESISTOR	10kΩ 1/16W J	1	K4,K3	
	R145	RK73GB2A102J	MG RESISTOR	1kΩ 1/10W J	1	K4,K3	
	R155	RK73GB2A470J	MG RESISTOR	47Ω 1/10W J	1	K4,K3	
	R166	RK73GB2A470J	MG RESISTOR	47Ω 1/10W J	1	K4,K3	
	L1	LK73G0BER15K	M.CHIP INDUCTOR		1	K4,K3	
	L2	LK73G0BE82NK	M.CHIP INDUCTOR		1	K4,K3	
	L3	LK73G0BER12K	M.CHIP INDUCTOR		1	K4,K3	
	L4	LK73G0BER82K	M.CHIP INDUCTOR		1	K4,K3	
	L5	LK73G0BE1R8K	M.CHIP INDUCTOR		1	K4,K3	
	L8	LK73G0BER39K	M.CHIP INDUCTOR		1	K4,K3	
	L10	L1K-0001-00	BALUN TRANS		1	K4,K3	
	L14	LK73G0BE100K	M.CHIP INDUCTOR		1	K4,K3	
	L21	NQR0592-004X	FERRITE BEADS		1	K4,K3	
	L22	NQR0592-004X	FERRITE BEADS		1	K4,K3	
	L101	NQR0713-001X	FERRITE BEADS		1	K4,K3	
	CN1	EA110AD-2017B	W TO B CONNE		1	K4,K3	
	CN2	EA110AD-2003B	W TO B CONNE		1	K4,K3	
	X1	L7J-0021-00	QUARTZ CRYSTAL		1	K4,K3	
	DAB TUNER PWB ASSY (XJM-0132-72) <XJM>						
	IC1	SI4763-A42-GM	MOS IC		1	E2	
	IC2	MTV301CQ	MOS IC		1	E2	
	IC3	GL3511SB169	MOS IC		1	E2	
	IC4	W3F-0021-00	ROM IC		1	E2	
	IC5	XC6213B122N-G	MOS IC		1	E2	
	IC6	XC6213B182N-G	MOS IC		1	E2	

MODEL	MARK	MODEL	MARK	MODEL	MARK	MODEL	MARK
DDX23BT	K2	DDX373BT	K1	DDX393	K0	DDX4016BT	E1
DDX4016BT	X1	DDX4016BTR	Q1	DDX4016DAB	E2	DDX573BH	K4
DDX593	K3						

Safe	Symbol No.	Parts No.	Parts Name	Description	QTY	Local
	IC7	XC6213B182N-G	MOS IC		1	E2
	C1	CC73HCH1H270J	C CAPACITOR	27pF 50V J	1	E2
	C2	CC73HCH1H390J	C CAPACITOR	39pF 50V J	1	E2
	C3	CK73HBB1H102K	C CAPACITOR	1000pF 50V K	1	E2
	C4	CK73HBB1H222K	C CAPACITOR	2200pF 50V K	1	E2
	C5	CK73HBB1H103K	C CAPACITOR	0.01uF 50V K	1	E2
	C6	CC73HCH1H010C	C CAPACITOR	1pF 50V C	1	E2
	C7	CC73HCH1H050C	C CAPACITOR	5pF 50V C	1	E2
	C10	CK73HBB1C104K	C CAPACITOR	0.1uF 16V K	1	E2
	C13	CK73HBB1H102K	C CAPACITOR	1000pF 50V K	1	E2
	C14	CK73HBB1H222K	C CAPACITOR	2200pF 50V K	1	E2
	C15	CK73FXR1C106K	C CAPACITOR	10uF 16V K	1	E2
	C16	CK73HBB1H222K	C CAPACITOR	2200pF 50V K	1	E2
	C17	CK73HBB1H222K	C CAPACITOR	2200pF 50V K	1	E2
	C18	CC73HCH1H101J	C CAPACITOR	100pF 50V J	1	E2
	C19	CK73HBB1H222K	C CAPACITOR	2200pF 50V K	1	E2
	C20	CK73HBB1C104K	C CAPACITOR	0.1uF 16V K	1	E2
	C21	CK73GXR1C105K	C CAPACITOR	1uF 16V K	1	E2
	C22	CK73GXR1C105K	C CAPACITOR	1uF 16V K	1	E2
	C23	CK73HBB1H682K	C CAPACITOR	6800pF 50V K	1	E2
	C24	CK73HBB1H682K	C CAPACITOR	6800pF 50V K	1	E2
	C25	CK73FXR1C106K	C CAPACITOR	10uF 16V K	1	E2
	C26	CC73HCH1H150J	C CAPACITOR	15pF 50V J	1	E2
	C27	CC73HCH1H100D	C CAPACITOR	10pF 50V D	1	E2
	C28	CC73HCH1H180J	C CAPACITOR	18pF 50V J	1	E2
	C29	CK73HBB1C104K	C CAPACITOR	0.1uF 16V K	1	E2
	C30	CK73HBB1C104K	C CAPACITOR	0.1uF 16V K	1	E2
	C31	CK73HBB1C104K	C CAPACITOR	0.1uF 16V K	1	E2
	C32	CK73HBB1C104K	C CAPACITOR	0.1uF 16V K	1	E2
	C33	CK73HBB1C104K	C CAPACITOR	0.1uF 16V K	1	E2
	C36	CC73HCH1H060D	C CAPACITOR	6pF 50V D	1	E2
	C37	CC73HCH1H060D	C CAPACITOR	6pF 50V D	1	E2
	C38	CK73HBB1C104K	C CAPACITOR	0.1uF 16V K	1	E2
	C39	CK73FXR1C106K	C CAPACITOR	10uF 16V K	1	E2
	C41	CK73HBB1C104K	C CAPACITOR	0.1uF 16V K	1	E2
	C42	CC73HCH1H080D	C CAPACITOR	8pF 50V D	1	E2
	C43	CC73HCH1H030C	C CAPACITOR	3pF 50V C	1	E2
	C44	CC73HCH1H330J	C CAPACITOR	33pF 50V J	1	E2
	C45	CK73HBB1C104K	C CAPACITOR	0.1uF 16V K	1	E2
	C46	CC73HCH1H680J	C CAPACITOR	68pF 50V J	1	E2
	C47	CK73HBB1H102K	C CAPACITOR	1000pF 50V K	1	E2
	C48	CK73HBB1C104K	C CAPACITOR	0.1uF 16V K	1	E2
	C49	CK73HBB1C104K	C CAPACITOR	0.1uF 16V K	1	E2
	C50	CK73HBB1C104K	C CAPACITOR	0.1uF 16V K	1	E2
	C51	CK73HBB1C104K	C CAPACITOR	0.1uF 16V K	1	E2
	C52	CK73HBB1C104K	C CAPACITOR	0.1uF 16V K	1	E2
	C53	CK73HBB1C104K	C CAPACITOR	0.1uF 16V K	1	E2
	C54	CK73HBB1C104K	C CAPACITOR	0.1uF 16V K	1	E2
	C55	CK73HBB1C104K	C CAPACITOR	0.1uF 16V K	1	E2
	C56	CK73HBB1C104K	C CAPACITOR	0.1uF 16V K	1	E2
	C57	CK73HBB1C104K	C CAPACITOR	0.1uF 16V K	1	E2
	C58	CK73HBB1C104K	C CAPACITOR	0.1uF 16V K	1	E2
	C59	CK73HBB1C104K	C CAPACITOR	0.1uF 16V K	1	E2
	C60	CK73HBB1C104K	C CAPACITOR	0.1uF 16V K	1	E2
	C61	CK73HBB1C104K	C CAPACITOR	0.1uF 16V K	1	E2
	C62	CK73HBB1C104K	C CAPACITOR	0.1uF 16V K	1	E2
	C63	CK73HBB1C104K	C CAPACITOR	0.1uF 16V K	1	E2
	C64	CK73HBB1C104K	C CAPACITOR	0.1uF 16V K	1	E2
	C65	CK73HBB1C104K	C CAPACITOR	0.1uF 16V K	1	E2
	C66	CK73HBB1C104K	C CAPACITOR	0.1uF 16V K	1	E2
	C67	CK73HBB1C104K	C CAPACITOR	0.1uF 16V K	1	E2
	C68	CK73HBB1C104K	C CAPACITOR	0.1uF 16V K	1	E2
	C69	CK73HBB1C104K	C CAPACITOR	0.1uF 16V K	1	E2
	C70	CK73HBB1C104K	C CAPACITOR	0.1uF 16V K	1	E2
	C71	CK73HBB1C104K	C CAPACITOR	0.1uF 16V K	1	E2
	C72	CK73HBB1C104K	C CAPACITOR	0.1uF 16V K	1	E2
	C73	CK73HBB1C104K	C CAPACITOR	0.1uF 16V K	1	E2
	C74	CK73HBB1C104K	C CAPACITOR	0.1uF 16V K	1	E2
	C75	CK73HBB1H102K	C CAPACITOR	1000pF 50V K	1	E2
	C76	CK73GXR0J475K	C CAPACITOR	4.7uF 6.3V K	1	E2
	C77	CK73FXR1C106K	C CAPACITOR	10uF 16V K	1	E2
	C78	CK73GXR1C225K	C CAPACITOR	2.2uF 16V K	1	E2
	C79	CK73FXR0J226M	C CAPACITOR	22uF 6.3V M	1	E2
	C80	CK73GXR1C225K	C CAPACITOR	2.2uF 16V K	1	E2
	C81	CK73FXR1C106K	C CAPACITOR	10uF 16V K	1	E2
	C82	CC73HCH1H100D	C CAPACITOR	10pF 50V D	1	E2
	C86	CC73HCH1H100D	C CAPACITOR	10pF 50V D	1	E2
	C96	CC73HCH1H221J	C CAPACITOR	220pF 50V J	1	E2
	C97	CC73HCH1H100D	C CAPACITOR	10pF 50V D	1	E2
	R1	RK73HB1J474J	MG RESISTOR	470kΩ 1/16W J	1	E2
	R2	RK73HB1J474J	MG RESISTOR	470kΩ 1/16W J	1	E2
	R3	RK73HB1J471J	MG RESISTOR	470Ω 1/16W J	1	E2
	R5	RK73HB1J000J	MG RESISTOR	0Ω 1/16W J	1	E2
	R6	RK73HB1J240J	MG RESISTOR	24Ω 1/16W J	1	E2
	R13	RK73HB1J470J	MG RESISTOR	47Ω 1/16W J	1	E2
	R14	RK73HB1J470J	MG RESISTOR	47Ω 1/16W J	1	E2
	R15	RK73HB1J470J	MG RESISTOR	47Ω 1/16W J	1	E2
	R16	RK73HB1J103J	MG RESISTOR	10kΩ 1/16W J	1	E2
	R17	RK73HB1J222J	MG RESISTOR	2.2kΩ 1/16W J	1	E2
	R18	RK73HB1J222J	MG RESISTOR	2.2kΩ 1/16W J	1	E2

MODEL	MARK	MODEL	MARK	MODEL	MARK	MODEL	MARK
DDX23BT	K2	DDX373BT	K1	DDX393	K0	DDX4016BT	E1
DDX4016BT	X1	DDX4016BTR	Q1	DDX4016DAB	E2	DDX573BH	K4
DDX593	K3						

Safe	Symbol No.	Parts No.	Parts Name	Description	QTY	Local
	R19	RK73HB1J470J	MG RESISTOR	47Ω 1/16W J	1	E2
	R20	RK73HB1J470J	MG RESISTOR	47Ω 1/16W J	1	E2
	R21	RK73HB1J470J	MG RESISTOR	47Ω 1/16W J	1	E2
	R22	RK73HB1J470J	MG RESISTOR	47Ω 1/16W J	1	E2
	R23	RK73HB1J470J	MG RESISTOR	47Ω 1/16W J	1	E2
	R24	RK73HB1J470J	MG RESISTOR	47Ω 1/16W J	1	E2
	R25	RK73HB1J000J	MG RESISTOR	0Ω 1/16W J	1	E2
	R26	RK73HB1J000J	MG RESISTOR	0Ω 1/16W J	1	E2
	R27	RK73HB1J000J	MG RESISTOR	0Ω 1/16W J	1	E2
	R28	RK73HB1J000J	MG RESISTOR	0Ω 1/16W J	1	E2
	R29	RK73HB1J000J	MG RESISTOR	0Ω 1/16W J	1	E2
	R30	RK73HB1J000J	MG RESISTOR	0Ω 1/16W J	1	E2
	R31	RK73HB1J000J	MG RESISTOR	0Ω 1/16W J	1	E2
	R32	RK73HB1J000J	MG RESISTOR	0Ω 1/16W J	1	E2
	R33	RK73HB1J101J	MG RESISTOR	100Ω 1/16W J	1	E2
	R34	RK73HB1J101J	MG RESISTOR	100Ω 1/16W J	1	E2
	R35	RK73HB1J222J	MG RESISTOR	2.2kΩ 1/16W J	1	E2
	R36	RK73HB1J222J	MG RESISTOR	2.2kΩ 1/16W J	1	E2
	R37	RK73HB1J104J	MG RESISTOR	100kΩ 1/16W J	1	E2
	R38	RK73HB1J000J	MG RESISTOR	0Ω 1/16W J	1	E2
	R39	RK73HB1J104J	MG RESISTOR	100kΩ 1/16W J	1	E2
	R40	RK73HB1J104J	MG RESISTOR	100kΩ 1/16W J	1	E2
	R41	RK73HB1J104J	MG RESISTOR	100kΩ 1/16W J	1	E2
	R44	RK73HB1J000J	MG RESISTOR	0Ω 1/16W J	1	E2
	R45	RK73HB1J000J	MG RESISTOR	0Ω 1/16W J	1	E2
	R46	RK73HH1J433D	MG RESISTOR	43kΩ 1/16W D	1	E2
	R47	RK73HH1J433D	MG RESISTOR	43kΩ 1/16W D	1	E2
	R48	RK73HH1J623D	MG RESISTOR	62kΩ 1/16W D	1	E2
	R49	RK73HH1J623D	MG RESISTOR	62kΩ 1/16W D	1	E2
	R50	RK73HB1J101J	MG RESISTOR	100Ω 1/16W J	1	E2
	R51	RK73HB1J101J	MG RESISTOR	100Ω 1/16W J	1	E2
	R52	RK73HB1J104J	MG RESISTOR	100kΩ 1/16W J	1	E2
	R53	RK73HB1J104J	MG RESISTOR	100kΩ 1/16W J	1	E2
	R54	RK73HB1J103J	MG RESISTOR	10kΩ 1/16W J	1	E2
	R55	RK73HB1J104J	MG RESISTOR	100kΩ 1/16W J	1	E2
	R56	RK73HB1J103J	MG RESISTOR	10kΩ 1/16W J	1	E2
	R57	RK73HB1J104J	MG RESISTOR	100kΩ 1/16W J	1	E2
	R58	RK73HB1J104J	MG RESISTOR	100kΩ 1/16W J	1	E2
	R59	RK73HB1J101J	MG RESISTOR	100Ω 1/16W J	1	E2
	R60	RK73HB1J101J	MG RESISTOR	100Ω 1/16W J	1	E2
	R61	RK73HB1J101J	MG RESISTOR	100Ω 1/16W J	1	E2
	R62	RK73HB1J101J	MG RESISTOR	100Ω 1/16W J	1	E2
	R63	RK73HB1J101J	MG RESISTOR	100Ω 1/16W J	1	E2
	R64	RK73HB1J101J	MG RESISTOR	100Ω 1/16W J	1	E2
	R65	RK73HB1J103J	MG RESISTOR	10kΩ 1/16W J	1	E2
	R66	RK73HB1J103J	MG RESISTOR	10kΩ 1/16W J	1	E2
	R67	RK73HB1J103J	MG RESISTOR	10kΩ 1/16W J	1	E2
	R68	RK73HB1J103J	MG RESISTOR	10kΩ 1/16W J	1	E2
	R69	RK73HB1J101J	MG RESISTOR	100Ω 1/16W J	1	E2
	R70	RK73HB1J101J	MG RESISTOR	100Ω 1/16W J	1	E2
	R71	RK73HB1J101J	MG RESISTOR	100Ω 1/16W J	1	E2
	R72	RK73HB1J101J	MG RESISTOR	100Ω 1/16W J	1	E2
	R73	RK73HB1J101J	MG RESISTOR	100Ω 1/16W J	1	E2
	R74	RK73HB1J101J	MG RESISTOR	100Ω 1/16W J	1	E2
	R79	RK73HB1J103J	MG RESISTOR	10kΩ 1/16W J	1	E2
	R80	RK73HB1J103J	MG RESISTOR	10kΩ 1/16W J	1	E2
	R81	RK73HB1J470J	MG RESISTOR	47Ω 1/16W J	1	E2
	R82	RK73HB1J470J	MG RESISTOR	47Ω 1/16W J	1	E2
	R83	RK73HB1J470J	MG RESISTOR	47Ω 1/16W J	1	E2
	R84	RK73HB1J470J	MG RESISTOR	47Ω 1/16W J	1	E2
	R88	RK73HB1J470J	MG RESISTOR	47Ω 1/16W J	1	E2
	R89	RK73HB1J470J	MG RESISTOR	47Ω 1/16W J	1	E2
	R90	RK73HB1J470J	MG RESISTOR	47Ω 1/16W J	1	E2
	R91	RK73GB2A102J	MG RESISTOR	1kΩ 1/10W J	1	E2
	R92	RK73GB2A102J	MG RESISTOR	1kΩ 1/10W J	1	E2
	R93	RK73GB2A102J	MG RESISTOR	1kΩ 1/10W J	1	E2
	R95	RK73HB1J105J	MG RESISTOR	1MΩ 1/16W J	1	E2
	R96	RK73HB1J000J	MG RESISTOR	0Ω 1/16W J	1	E2
	R97	RK73HB1J000J	MG RESISTOR	0Ω 1/16W J	1	E2
	R98	RK73HB1J000J	MG RESISTOR	0Ω 1/16W J	1	E2
	R99	RK73HB1J000J	MG RESISTOR	0Ω 1/16W J	1	E2
	R100	RK73HB1J000J	MG RESISTOR	0Ω 1/16W J	1	E2
	R102	RK73HB1J000J	MG RESISTOR	0Ω 1/16W J	1	E2
	R105	RK73GB2A102J	MG RESISTOR	1kΩ 1/10W J	1	E2
	L2	LK73G0BER12K	M.CHIP INDUCTOR		1	E2
	L3	LK73G0BE82NK	M.CHIP INDUCTOR		1	E2
	L4	LK73G0BER12K	M.CHIP INDUCTOR		1	E2
	L5	L1K-0001-00	BALUN TRANS		1	E2
	L6	LK73G0BE1R8K	M.CHIP INDUCTOR		1	E2
	L7	LK73G0BER39K	M.CHIP INDUCTOR		1	E2
	L8	LK73G0BE100K	M.CHIP INDUCTOR		1	E2
	L10	LK73G0BF33NJ	M.CHIP INDUCTOR		1	E2
	L11	LK73G0BF68NJ	M.CHIP INDUCTOR		1	E2
	L12	LK73G0BFR15J	M.CHIP INDUCTOR		1	E2
	L13	LK73G0BFR15J	M.CHIP INDUCTOR		1	E2
	L14	LK73G0BF3N3S	M.CHIP INDUCTOR		1	E2
	L15	LK73G0BF5N6S	M.CHIP INDUCTOR		1	E2
	L16	LK73G0BF10NJ	M.CHIP INDUCTOR		1	E2

MODEL	MARK	MODEL	MARK	MODEL	MARK	MODEL	MARK
DDX23BT	K2	DDX373BT	K1	DDX393	K0	DDX4016BT	E1
DDX4016BT	X1	DDX4016BTR	Q1	DDX4016DAB	E2	DDX573BH	K4
DDX593	K3						

Safe	Symbol No.	Parts No.	Parts Name	Description	QTY	Local
	L17	LK73G0BF10NJ	M.CHIP INDUCTOR		1	E2
	L18	LK73G0BF82NJ	M.CHIP INDUCTOR		1	E2
	L20	LK73G0BFR22J	M.CHIP INDUCTOR		1	E2
	L21	LK73G0BFR22J	M.CHIP INDUCTOR		1	E2
	L22	NQR0592-004X	FERRITE BEADS		1	E2
	L23	NQR0592-004X	FERRITE BEADS		1	E2
	L24	NQR0592-004X	FERRITE BEADS		1	E2
	L26	NQR0592-004X	FERRITE BEADS		1	E2
	L29	LB73H0CG-001	CHIP FERRITE		1	E2
	L30	LB73H0CG-001	CHIP FERRITE		1	E2
	CN1	EA110AD-2017B	W TO B CONNE		1	E2
	CN2	EA110AD-2007B	W TO B CONNE		1	E2
	J1	QNB0353-001	ANT TERMINAL		1	E2
	TH1	FSMD035-R	P THERMISTOR		1	E2
	VA1	F0K-0014-00	SURGE ABSORBER		1	E2
	X1	L7J-0028-00	QUARTZ CRYSTAL		1	E2
	X2	L7J-0027-00	QUARTZ CRYSTAL		1	E2
	DVD MECHA PWB ASSY (XJE-0200-00) <XJE>					
	IC1	BD8205EFV-M	BIPOLAR IC		1	
	IC301	MN2DS0041MD	IC		1	
	IC381	WZZ-0041-00	PROGRAMMED IC		1	
	IC391	M12L128168A6TG	SV-DRAM IC		1	
	IC551	MFI337S395901	MCU IC		1	
	IC921	BD12KA5FP-X	IC		1	
	Q12	LTC044EEBFS8	DIGI TRANSISTOR		1	
	Q101	2SB1709MG	TRANSISTOR		1	
	Q102	2SB1709MG	TRANSISTOR		1	
	Q103	LTC014EEBFS8	DIGI TRANSISTOR		1	
	Q107	UMX1N-W	PAIR TRANSISTOR		1	
	Q108	SSM6N15AFEM	DUAL FET		1	
	Q302	LTC044EEBFS8	DIGI TRANSISTOR		1	
	C1	CK73EXR1C226M	C CAPACITOR	22uF 16V M	1	
	C4	CK73FXR0J226M	C CAPACITOR	22uF 6.3V M	1	
	C5	CK73FXR0J226M	C CAPACITOR	22uF 6.3V M	1	
	C6	CK73FXR0J226M	C CAPACITOR	22uF 6.3V M	1	
	C7	CK73FXR0J226M	C CAPACITOR	22uF 6.3V M	1	
	C8	CK73FXR0J226M	C CAPACITOR	22uF 6.3V M	1	
	C9	CK73HBB1H222K	C CAPACITOR	2200pF 50V K	1	
	C10	CK73HBB1H222K	C CAPACITOR	2200pF 50V K	1	
	C11	CK73HBB1H222K	C CAPACITOR	2200pF 50V K	1	
	C12	CK73HBB1H222K	C CAPACITOR	2200pF 50V K	1	
	C14	CK73HBB1H471K	C CAPACITOR	470pF 50V K	1	
	C20	CK73HXR1C104K	C CAPACITOR	0.1uF 16V K	1	
	C26	CK73HBB1H472K	C CAPACITOR	4700pF 50V K	1	
	C27	CK73HBB1H471K	C CAPACITOR	470pF 50V K	1	
	C28	CK73HBB1H471K	C CAPACITOR	470pF 50V K	1	
	C29	CK73HBB1H471K	C CAPACITOR	470pF 50V K	1	
	C30	CK73HBB1H471K	C CAPACITOR	470pF 50V K	1	
	C31	CK73HBB1H471K	C CAPACITOR	470pF 50V K	1	
	C32	CK73GBB1H471K	C CAPACITOR	470pF 50V K	1	
	C33	CK73HBB1H471K	C CAPACITOR	470pF 50V K	1	
	C34	CK73HBB1H471K	C CAPACITOR	470pF 50V K	1	
	C35	CK73HBB1H472K	C CAPACITOR	4700pF 50V K	1	
	C36	CK73HBB1H472K	C CAPACITOR	4700pF 50V K	1	
	C101	CK730BS0J105K	C CAPACITOR	1uF 6.3V K	1	
	C102	CK730BY0J476M	C CAPACITOR	47uF 6.3V M	1	
	C103	CK730BY0J476M	C CAPACITOR	47uF 6.3V M	1	
	C105	CK73HBB1A104K	C CAPACITOR	0.1uF 10V K	1	
	C106	CK73HBB1A104K	C CAPACITOR	0.1uF 10V K	1	
	C107	CK73HBB1A104K	C CAPACITOR	0.1uF 10V K	1	
	C108	CK73HBB1A104K	C CAPACITOR	0.1uF 10V K	1	
	C109	CK73HBB1A104K	C CAPACITOR	0.1uF 10V K	1	
	C110	CK73HBB1A104K	C CAPACITOR	0.1uF 10V K	1	
	C111	CK730BS0J105K	C CAPACITOR	1uF 6.3V K	1	
	C112	CK730BW0J226M	C CAPACITOR	22uF 6.3V M	1	
	C113	CK73HBB1A104K	C CAPACITOR	0.1uF 10V K	1	
	C121	CK73HBB1A104K	C CAPACITOR	0.1uF 10V K	1	
	C122	CK73HBB1C333K	C CAPACITOR	0.033uF 16V K	1	
	C123	CK73HBB1A104K	C CAPACITOR	0.1uF 10V K	1	
	C124	CK73HBB1A104K	C CAPACITOR	0.1uF 10V K	1	
	C133	NCJA1AK-684W-A	C CAPACITOR	0.68uF 10V K	1	
	C134	NCJA1AK-684W-A	C CAPACITOR	0.68uF 10V K	1	
	C135	CK73HBB1A104K	C CAPACITOR	0.1uF 10V K	1	
	C136	CK73HBB1A104K	C CAPACITOR	0.1uF 10V K	1	
	C137	CK73HBB1A104K	C CAPACITOR	0.1uF 10V K	1	
	C138	CK73HBB1A104K	C CAPACITOR	0.1uF 10V K	1	
	C151	CK73HBB1A104K	C CAPACITOR	0.1uF 10V K	1	
	C170	CK73HBB1A104K	C CAPACITOR	0.1uF 10V K	1	
	C201	CK73FXR0J226M	C CAPACITOR	22uF 6.3V M	1	
	C202	CK73HXR1C104K	C CAPACITOR	0.1uF 16V K	1	
	C203	CK73HXR1C104K	C CAPACITOR	0.1uF 16V K	1	
	C204	CK73GXR0J475K	C CAPACITOR	4.7uF 6.3V K	1	
	C210	CK73HBB1H152K	C CAPACITOR	1500pF 50V K	1	
	C211	CC73HCH1H151J	C CAPACITOR	150pF 50V J	1	
	C241	CK73GBB1H392K	C CAPACITOR	3900pF 50V K	1	
	C291	CK73GBB1H332K	C CAPACITOR	3300pF 50V K	1	
	C294	CK73GBB1H103K	C CAPACITOR	0.01uF 50V K	1	
	C301	CK73HBB1A104K	C CAPACITOR	0.1uF 10V K	1	
	C302	CK73HBB1A104K	C CAPACITOR	0.1uF 10V K	1	

MODEL	MARK	MODEL	MARK	MODEL	MARK	MODEL	MARK
DDX23BT	K2	DDX373BT	K1	DDX393	K0	DDX4016BT	E1
DDX4016BT	X1	DDX4016BTR	Q1	DDX4016DAB	E2	DDX573BH	K4
DDX593	K3						

Safe	Symbol No.	Parts No.	Parts Name	Description	QTY	Local
	C303	CK73HBB1A104K	C CAPACITOR	0.1uF 10V K	1	
	C304	CK73HBB1A104K	C CAPACITOR	0.1uF 10V K	1	
	C305	CK73HBB1A104K	C CAPACITOR	0.1uF 10V K	1	
	C306	CK73HBB1A104K	C CAPACITOR	0.1uF 10V K	1	
	C307	CK73HBB1A104K	C CAPACITOR	0.1uF 10V K	1	
	C311	CK73HBB1A104K	C CAPACITOR	0.1uF 10V K	1	
	C314	CC73HCH1H151J	C CAPACITOR	150pF 50V J	1	
	C315	CK73HBB1H102K	C CAPACITOR	1000pF 50V K	1	
	C316	CK730BS0J105K	C CAPACITOR	1uF 6.3V K	1	
	C317	CK730BS0J105K	C CAPACITOR	1uF 6.3V K	1	
	C318	CK73HBB1A104K	C CAPACITOR	0.1uF 10V K	1	
	C319	CK73HBB1A104K	C CAPACITOR	0.1uF 10V K	1	
	C320	CK73HBB1A104K	C CAPACITOR	0.1uF 10V K	1	
	C322	CK73HBB1A104K	C CAPACITOR	0.1uF 10V K	1	
	C324	CK73HBB1A104K	C CAPACITOR	0.1uF 10V K	1	
	C325	CK73HBB1A104K	C CAPACITOR	0.1uF 10V K	1	
	C326	CK73HBB1E103K	C CAPACITOR	0.01uF 25V K	1	
	C327	CK73HBB1A104K	C CAPACITOR	0.1uF 10V K	1	
	C329	CK73HBB1A104K	C CAPACITOR	0.1uF 10V K	1	
	C330	CK73HBB1A104K	C CAPACITOR	0.1uF 10V K	1	
	C331	CK73HBB1A104K	C CAPACITOR	0.1uF 10V K	1	
	C332	CK73HBB1A104K	C CAPACITOR	0.1uF 10V K	1	
	C333	CK73HBB1A104K	C CAPACITOR	0.1uF 10V K	1	
	C351	CC73HCH1H120J	C CAPACITOR	12pF 50V J	1	
	C352	CC73HCH1H120J	C CAPACITOR	12pF 50V J	1	
	C382	CK73HBB1A104K	C CAPACITOR	0.1uF 10V K	1	
	C391	CK730AX0J106K	C CAPACITOR	10uF 6.3V K	1	
	C392	CK73HBB1A104K	C CAPACITOR	0.1uF 10V K	1	
	C396	CK73HBB1A104K	C CAPACITOR	0.1uF 10V K	1	
	C398	CK73HBB1A104K	C CAPACITOR	0.1uF 10V K	1	
	C511	CK73HBB1A104K	C CAPACITOR	0.1uF 10V K	1	
	C911	CK730BY0J476M	C CAPACITOR	47uF 6.3V M	1	
	C912	CK73HBB1A104K	C CAPACITOR	0.1uF 10V K	1	
	C913	CK730AX0J106K	C CAPACITOR	10uF 6.3V K	1	
	C921	CK730BS0J105K	C CAPACITOR	1uF 6.3V K	1	
	C923	CK730BS0J105K	C CAPACITOR	1uF 6.3V K	1	
	R12	RK73HB1J822J	MG RESISTOR	8.2kΩ 1/16W J	1	
	R17	RK73HB1J473J	MG RESISTOR	47kΩ 1/16W J	1	
	R19	RK73HB1J221J	MG RESISTOR	220Ω 1/16W J	1	
	R20	RK73HB1J221J	MG RESISTOR	220Ω 1/16W J	1	
	R21	RK73HB1J221J	MG RESISTOR	220Ω 1/16W J	1	
	R22	RK73HB1J221J	MG RESISTOR	220Ω 1/16W J	1	
	R23	RK73HH1J432D	MG RESISTOR	4.3kΩ 1/16W D	1	
	R24	RK73HB1J472J	MG RESISTOR	4.7kΩ 1/16W J	1	
	R26	RK73HB1J103J	MG RESISTOR	10kΩ 1/16W J	1	
	R34	RK73FB2B000J	MG RESISTOR	0Ω 1/8W J	1	
	R35	RK73HB1J222J	MG RESISTOR	2.2kΩ 1/16W J	1	
	R36	RK73FB2B000J	MG RESISTOR	0Ω 1/8W J	1	
	R101	RK73GB2A471J	MG RESISTOR	470Ω 1/10W J	1	
	R102	RK73HB1J471J	MG RESISTOR	470Ω 1/16W J	1	
	R103	RK73GB2A102J	MG RESISTOR	1kΩ 1/10W J	1	
	R104	RK73HB1J2R2J	MG RESISTOR	2.2Ω 1/16W J	1	
	R106	RK73HB1J000J	MG RESISTOR	0Ω 1/16W J	1	
	R107	RK73HB1J000J	MG RESISTOR	0Ω 1/16W J	1	
	R108	RK73GB2A000J	MG RESISTOR	0Ω 1/10W J	1	
	R111	RK73GB2A471J	MG RESISTOR	470Ω 1/10W J	1	
	R112	RK73HB1J471J	MG RESISTOR	470Ω 1/16W J	1	
	R113	RK73GB2A102J	MG RESISTOR	1kΩ 1/10W J	1	
	R114	RK73HB1J2R2J	MG RESISTOR	2.2Ω 1/16W J	1	
	R115	NRZ0122-180X	MG RESISTOR	18Ω	1	
	R116	RK73HB1J242J	MG RESISTOR	2.4kΩ 1/16W J	1	
	R117	RK73HB1J432J	MG RESISTOR	4.3kΩ 1/16W J	1	
	R122	RK73HB1J000J	MG RESISTOR	0Ω 1/16W J	1	
	R123	RK73HB1J103J	MG RESISTOR	10kΩ 1/16W J	1	
	R124	RK73HB1J103J	MG RESISTOR	10kΩ 1/16W J	1	
	R138	RK73HB1J000J	MG RESISTOR	0Ω 1/16W J	1	
	R151	RK73HB1J472J	MG RESISTOR	4.7kΩ 1/16W J	1	
	R165	RK73HB1J473J	MG RESISTOR	47kΩ 1/16W J	1	
	R170	RK73HH1J332D	MG RESISTOR	3.3kΩ 1/16W D	1	
	R171	RK73HH1J162D	MG RESISTOR	1.6kΩ 1/16W D	1	
	R182	RK73GB2A000J	MG RESISTOR	0Ω 1/10W J	1	
	R212	RK73GB2A223J	MG RESISTOR	22kΩ 1/10W J	1	
	R214	RK73GB2A103J	MG RESISTOR	10kΩ 1/10W J	1	
	R215	RK73GB2A203J	MG RESISTOR	20kΩ 1/10W J	1	
	R216	RK73GB2A104J	MG RESISTOR	100kΩ 1/10W J	1	
	R217	RK73HB1J222J	MG RESISTOR	2.2kΩ 1/16W J	1	
	R218	RK73HB1J752J	MG RESISTOR	7.5kΩ 1/16W J	1	
	R219	RK73HB1J822J	MG RESISTOR	8.2kΩ 1/16W J	1	
	R220	RK73HB1J223J	MG RESISTOR	22kΩ 1/16W J	1	
	R221	RK73HB1J823J	MG RESISTOR	82kΩ 1/16W J	1	
	R230	RK73HB1J102J	MG RESISTOR	1kΩ 1/16W J	1	
	R241	RK73GB2A123J	MG RESISTOR	12kΩ 1/10W J	1	
	R301	RK73HB1J103J	MG RESISTOR	10kΩ 1/16W J	1	
	R302	RK73HB1J101J	MG RESISTOR	100Ω 1/16W J	1	
	R303	RK73HB1J101J	MG RESISTOR	100Ω 1/16W J	1	
	R304	RK73HB1J101J	MG RESISTOR	100Ω 1/16W J	1	
	R308	RK73HB1J331J	MG RESISTOR	330Ω 1/16W J	1	
	R310	RK73HH1J102D	MG RESISTOR	1kΩ 1/16W D	1	
	R311	RK73HB1J223J	MG RESISTOR	22kΩ 1/16W J	1	

MODEL	MARK	MODEL	MARK	MODEL	MARK	MODEL	MARK
DDX23BT	K2	DDX373BT	K1	DDX393	K0	DDX4016BT	E1
DDX4016BT	X1	DDX4016BTR	Q1	DDX4016DAB	E2	DDX573BH	K4
DDX593	K3						

Safe	Symbol No.	Parts No.	Parts Name	Description	QTY	Local
	R314	RK73GB2A393J	MG RESISTOR	39kΩ 1/10W J	1	
	R315	RK73GB2A472J	MG RESISTOR	4.7kΩ 1/10W J	1	
	R319	RK73GH2A243D	MG RESISTOR	24kΩ 1/10W D	1	
	R323	RK73HB1J104J	MG RESISTOR	100kΩ 1/16W J	1	
	R327	RK73HB1J270J	MG RESISTOR	27Ω 1/16W J	1	
	R351	RK73HB1J105J	MG RESISTOR	1MΩ 1/16W J	1	
	R352	RK73HB1J102J	MG RESISTOR	1kΩ 1/16W J	1	
	R386	RK73HB1J184J	MG RESISTOR	180kΩ 1/16W J	1	
	R511	RK73HB1J103J	MG RESISTOR	10kΩ 1/16W J	1	
	R512	RK73HB1J103J	MG RESISTOR	10kΩ 1/16W J	1	
	R515	RK73HB1J103J	MG RESISTOR	10kΩ 1/16W J	1	
	R702	RK73HB1J102J	MG RESISTOR	1kΩ 1/16W J	1	
	R911	NRZ0098-R18X	MG RESISTOR	0.18Ω	1	
	L1	LB73H0CT-002	CHIP FERRITE		1	
	L2	LB73H0CT-002	CHIP FERRITE		1	
	L3	LB73H0CT-002	CHIP FERRITE		1	
	L4	LB73H0CT-002	CHIP FERRITE		1	
	L5	LB73H0CT-002	CHIP FERRITE		1	
	L6	LB73H0CT-002	CHIP FERRITE		1	
	L7	LB73H0CT-002	CHIP FERRITE		1	
	CN101	EC720AA-0524A	FFC FPC CONNE		1	
	CN201	EA720AM-1206A	W TO B CONNE		1	
	CN202	EA720AM-1202A	W TO B CONNE		1	
	CN301	EA720AM-1202A	W TO B CONNE		1	
	CN401	QGF0534F7-35X	FFC/FPC CONNE	FFC/FPC (1-35)	1	
	CN501	QGA1501F4-03W	W TO B CONNE	W-B (1-3)	1	
	S1	S6J-0002-00	PUSH SWITCH		1	
	TH491	NAD0055-103X	N THERMISTOR	10kΩ	1	
	X351	NAX1135-001X	CRYSTAL		1	