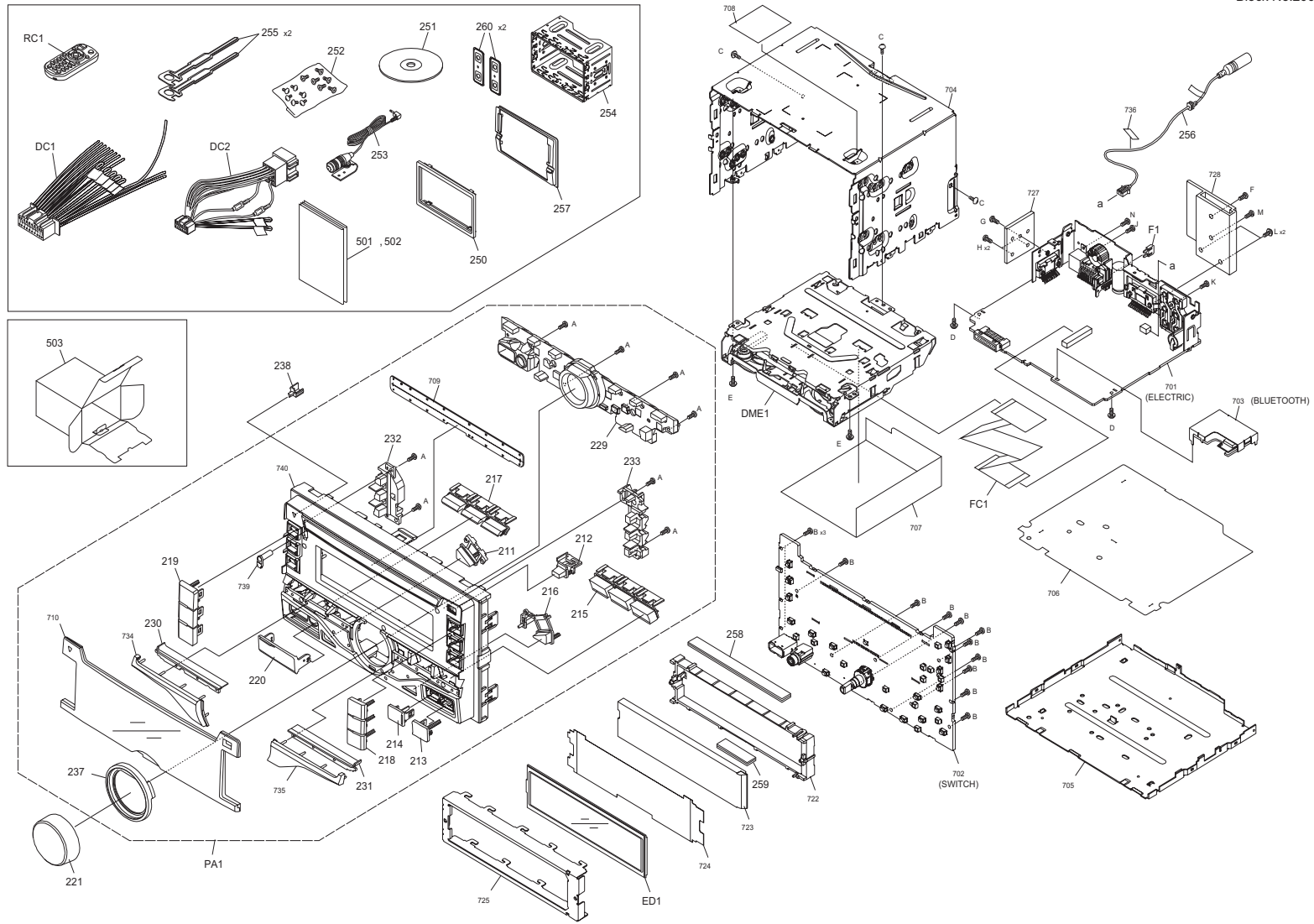


# EXPLODED VIEW (UNIT)

Block No.200



No.WA063

Parts with the exploded numbers larger than 700 are not supplied.

created date:2013-02-13

MODEL	MARK	MODEL	MARK	MODEL	MARK	MODEL	MARK
DPX500BT	K0	DPX300U	K1	DPX-U5130BT	M1	DPX-U5130	M2
DPX405BT	E1	DPX305U	E2	DPX-U5130	H1		

Safe	Symbol No.	Parts No.	Parts Name	Description	QTY	Local
------	------------	-----------	------------	-------------	-----	-------

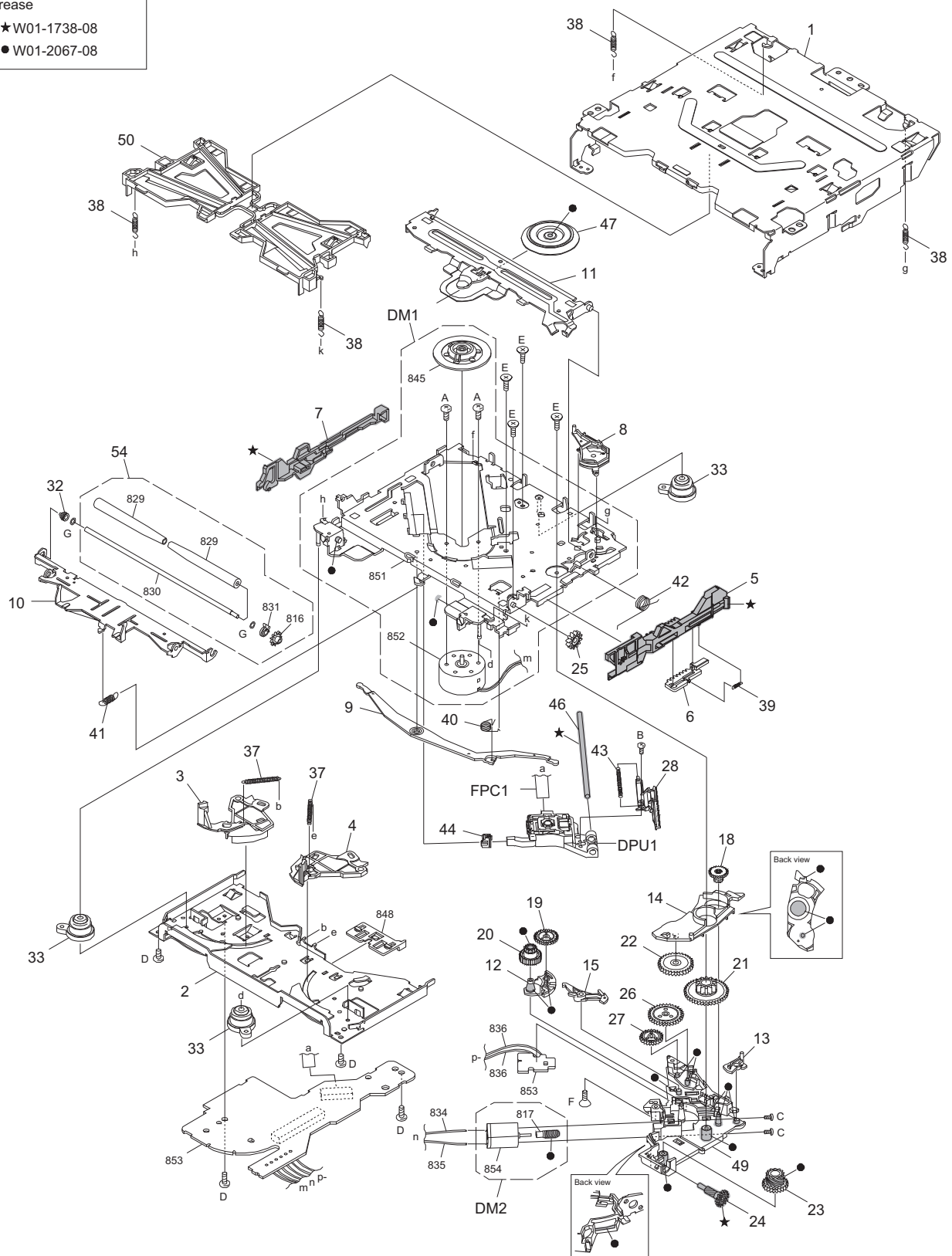
EXPLODED VIEW (UNIT) <200>

△	DC1	E30-6939-05	DC CORD		1	K0,K1,M1,M2,H1
△	DC2	E30-6940-15	DC CORD		1	E1,E2
	DME1	X92-6800-00	MECHANISM ASSY (FC2-1A00WXN)		1	
△	ED1	B38-1247-05	LCD		1	
	F1	F52-0023-05	FUSE	10A	1	
	FC1	E39-1326-05	FLAT CABLE		1	
	PA1	A64-5408-21	PANEL ASSY		1	K0
	PA1	A64-5409-21	PANEL ASSY		1	K1
	PA1	A64-5412-21	PANEL ASSY		1	M1
	PA1	A64-5413-21	PANEL ASSY		1	M2,H1
	PA1	A64-5410-21	PANEL ASSY		1	E1
	PA1	A64-5411-21	PANEL ASSY		1	E2
	RC1	QAL1303-004	REMOTE CONTROL UNIT (RC-406)		1	K0,K1,M1,M2,H1
	A	N80-2005-48	PAN HEAD TAPTITE SCREW		8	
	B	N82-2006-48	BINDING HEAD TAPTITE SCREW		13	
	C	N86-2606-48	BINDING HEAD TAPTITE SCREW		3	
	D	N09-6758-05	TAPTITE SCREW		2	
	E	QYSDST2604ZA	TAP SCREW	M2.6 x 4mm	2	
	F	QYSDST2608ZA	TAP SCREW	M2.6 x 8mm	1	
	G	QYSDST2608ZA	TAP SCREW	M2.6 x 8mm	1	
	H	GE40662-001A	SPECIAL SCREW		2	
	J	QYSDSG3006ZA	TAP SCREW	M3 x 6mm	1	
	K	QYSDSF2608ZA	TAP SCREW	M2.6 x 8mm	1	
	L	GE40377-005A	SPECIAL SCREW		2	
	M	QYSDST2610ZA	TAP SCREW	M2.6 x 10mm	1	
	N	N86-2606-48	BINDING HEAD TAPTITE SCREW		1	K0,K1
	211	K24-5212-13	PUSH KNOB (DISP)		1	
	212	K24-5209-03	PUSH KNOB (EJECT)		1	
	213	K24-5214-12	PUSH KNOB (TEL)		1	K0,M1,E1
	213	K24-5215-12	PUSH KNOB (iPod)		1	K1,E2
	213	K24-5245-12	PUSH KNOB (UP)		1	M2,H1
	214	K24-5216-02	PUSH KNOB (BOOK)		1	K0,M1,E1
	214	K24-5217-02	PUSH KNOB (A-Z)		1	K1,E2
	214	K24-5246-02	PUSH KNOB (DOWN)		1	M2,H1
	215	K25-3149-02	PUSH KNOB (AUDIO)		1	
	216	K24-5210-13	PUSH KNOB (PLAY)		1	
	217	K25-3147-02	PUSH KNOB (SRC)		1	
	218	K25-3146-03	PUSH KNOB (4-6)		1	
	219	K25-3145-03	PUSH KNOB (1-3)		1	
	220	F07-2266-12	COVER		1	
	221	K28-0530-13	KNOB ASSY (VOL)		1	
	229	B19-2626-01	LIGHTING BOARD		1	
	230	B19-2624-03	LIGHTING BOARD		1	
	231	B19-2625-03	LIGHTING BOARD		1	
	232	B19-2627-03	LIGHTING BOARD		1	
	233	B19-2628-03	LIGHTING BOARD		1	
	237	B07-3377-03	ESCUTCHEON		1	K0,K1
	237	B07-3376-03	ESCUTCHEON		1	M1,M2,E1,E2,H1
	238	B19-2641-04	LIGHTING BOARD		1	
	250	B07-3379-02	ESCUTCHEON		1	K0,K1,E1,E2
	251	W01-2054-05	COMPACT DISC		1	E1,E2
	252	N99-1845-05	SCREW SET		1	K0,K1,M1,M2,H1
	253	QAN0126-001	MICROPHONE (3m)		1	K0,M1,E1
	254	J22-0429-23	MOUNTING HARDWARE ASSY		1	K0,K1,E1,E2
	255	D10-7012-04	LEVER		2	K0,K1,E1,E2
	256	E30-6832-05	CORD WITH CONNECTOR		1	K0,M1,E1
	257	B07-3385-01	ESCUTCHEON		1	K0,K1,M2,H1
	257	B07-3380-01	ESCUTCHEON		1	M1
	258	E29-2179-14	CONDUCTIVE RUBBER		1	
	259	E29-2180-14	CONDUCTIVE RUBBER		1	
	260	J30-1106-04	SPACER (for old NISSAN)		2	M1,M2,H1
	501	B59-2162-00	SUB-INSTRUCTION MANUAL	ENG FRE SPA	1	K0,K1
	501	B64-5068-00	INSTRUCTION MANUAL	ENGLISH	1	M1,M2,H1
	501	B59-2160-00	SUB-INSTRUCTION MANUAL	ENG FRE GER DUT	1	E1,E2
	502	B64-5069-00	INSTRUCTION MANUAL	ARABIC	1	M1,M2
	502	B59-2161-00	SUB-INSTRUCTION MANUAL	ITA SPA POR RUS	1	E1,E2
	503	H54-5309-03	ITEM CARTON CASE		1	K0
	503	H54-5310-03	ITEM CARTON CASE		1	K1
	503	H54-5313-03	ITEM CARTON CASE		1	M1
	503	H54-5314-03	ITEM CARTON CASE		1	M2,H1
	503	H54-5311-03	ITEM CARTON CASE		1	E1
	503	H54-5312-03	ITEM CARTON CASE		1	E2

# EXPLODED VIEW (CD MECHANISM: X92-6800-00)

Block No.130

Grease  
 ★ W01-1738-08  
 ● W01-2067-08



Parts with the exploded numbers larger than 800 are not supplied.

MODEL	MARK	MODEL	MARK	MODEL	MARK	MODEL	MARK
DPX500BT	K0	DPX300U	K1	DPX-U5130BT	M1	DPX-U5130	M2
DPX405BT	E1	DPX305U	E2	DPX-U5130	H1		

Safe	Symbol No.	Parts No.	Parts Name	Description	QTY	Local
------	------------	-----------	------------	-------------	-----	-------

EXPLODED VIEW (CD MECHANISM: X92-6800-00) <130>

DM1	X94-2230-00	MD CHASSIS ASSY	1	
DM2	X94-2240-00	LOADING MOTOR ASSY	1	
DPU1	QAL1498-001	PICK UP	1	
FPC1	QAL1465-001	FPC	1	
A	LV45568-001A	MINI SCREW	2	
B	QYSPSGT1745ZA	TAP SCREW	1	M1.7 x 4.5mm
C	QYSPSPT2025MA	SCREW	2	M2 x 2.5mm
D	N09-6108-15	TAPTITE SCREW	4	
E	N09-6738-15	GEAR SCREW	4	
F	N09-6921-05	MAIN SHAFT SCREW	1	
G	N19-2356-04	ROLLER WASHER	2	
1	A10-5625-11	OUTER CHASSIS	1	
2	A10-5626-01	LOWER CHASSIS	1	
3	D10-7174-03	DISC ARM L	1	
4	D10-7175-03	DISC ARM R	1	
5	D10-7177-02	SLIDER R	1	
6	D10-7178-03	TRIGER SLIDER	1	
7	D10-7179-02	SLIDER L	1	
8	D10-7180-03	TIRIGER ARM	1	
9	D10-7181-13	JOINT LEVER	1	
10	D10-7182-12	ROLLER LEVER	1	
11	D10-7183-02	CLAMP ARM	1	
12	D10-7184-03	TRANSFER ARM	1	
13	D10-7185-04	SL LOCK CAM	1	
14	D10-7186-03	SL LOCK ARM	1	
15	D10-7187-13	PICK LOCK ARM	1	
18	D13-3104-04	HELICAL GEAR 1	1	
19	D13-3105-04	TRANSFER GEAR	1	
20	D13-3106-04	LOAD GEAR H	1	
21	D13-3107-04	DRIVE GEAR	1	
22	D13-3108-04	JOINT GEAR	1	
23	D13-3109-04	WORM GEAR 2	1	
24	D13-3110-04	HELICAL GEAR 2	1	
25	D13-3111-04	LOAD GEAR V	1	
26	D13-3112-04	PICK GEAR 1	1	
27	D13-3113-04	PICK GEAR 2	1	
28	D13-3114-03	RACK GEAR	1	
32	D23-0974-14	ROLLER RETAIER L	1	
33	D39-0401-05	DAMPER 1	3	
37	G01-4810-04	DISC ARM SPRING	2	
38	G01-4811-14	FLOATING SPRING F	4	
39	G01-4813-04	TRIGER SPRING	1	
40	G01-4814-04	LOAD SPRING	1	
41	G01-4815-04	ROLLER SPRING	1	
42	G01-4816-04	CLAMP SPRING	1	
43	G01-4817-04	PICK SPRING	1	
44	LV36813-501A	SUB GUIDE CAP	1	
46	LV44555-001A	MAIN SHAFT	1	
47	J11-0692-03	CLAMPER	1	
49	J19-7360-11	GEAR HOLDER	1	
50	J90-1209-11	DISC GUIDE	1	
54	X94-2250-00	ROLLER ASSY	1	

MODEL	MARK	MODEL	MARK	MODEL	MARK	MODEL	MARK
DPX500BT	K0	DPX300U	K1	DPX-U5130BT	M1	DPX-U5130	M2
DPX405BT	E1	DPX305U	E2	DPX-U5130	H1		

Safe	Symbol No.	Parts No.	Parts Name	Description	QTY	Local
<b>ELECTRIC UNIT (X34-747x-xx) &lt;X34&gt;</b>						
	IC1	LV5684PVD	IC(ANALOGUE)		1	
	IC21	XC6217A12BM-G	MOS-IC		1	
	IC51	BD9876EFJ	MOS-IC		1	
	IC61	BD9876EFJ	MOS-IC		1	
	IC71	RP131S521D-FE	IC(ANALOGUE)		1	
	IC91	TPS2553DBV	MOS-IC		1	
	IC131	74HC2G02DP	MOS-IC		1	
	IC201	TB2931HQ	IC(ANALOGUE)		1	
	IC251	TDA7720B-X	IC(ANALOGUE)		1	K0,K1,M1
	IC251	TDA7718B-X	IC		1	M2,E1,E2,H1
	IC301	TEF6642HW	IC(ANALOGUE)		1	
	IC302	BU12TD3WG	IC(ANALOGUE)		1	
	IC461	TC7SET08FU-F	MOS-IC		1	K0,K1
	IC462	TC7SH17FU-F	MOS-IC		1	K0,K1
	IC701	XC6201P332M-G	IC(ANALOGUE)		1	
	IC801	R5S726A0D216FP	IC(MCU)		1	
	IC831	W10-0838-08	IC(ROM)		1	
	IC841	BD5228FVE	IC(ANALOGUE)		1	
	IC851	BR24T256FVT-W	ROM IC		1	K0,K1
	IC851	BR24T16FVT-W	ROM IC		1	M1,M2,E1,E2,H1
	IC861	MF1337S3959-X	MICROPROCESSOR IC		1	
	Q131	LSCR523UBFS8	TRANSISTOR		1	
	Q132	LSCR523UBFS8	TRANSISTOR		1	
	Q133	LSCR523UBFS8	TRANSISTOR		1	
	Q134	LTC044EUBFS8	TRANSISTOR		1	
	Q231	LTC043TUBFS8	TRANSISTOR		1	
	Q232	LTC043TUBFS8	TRANSISTOR		1	
	Q233	LTC043TUBFS8	TRANSISTOR		1	
	Q234	LTC043TUBFS8	TRANSISTOR		1	
	Q235	LTC043TUBFS8	TRANSISTOR		1	K0,K1,M1
	Q236	LTC043TUBFS8	TRANSISTOR		1	K0,K1,M1
	Q237	LTA014YUBFS8	TRANSISTOR		1	
	Q402	LSCR523UBFS8	TRANSISTOR		1	K0,M1,E1
	Q701	2SB1188(Q,R)	TRANSISTOR		1	
	Q702	LTC043ZUBFS8	TRANSISTOR		1	
	Q703	LSAR523UBFS8	TRANSISTOR		1	
	Q704	LTC043ZUBFS8	TRANSISTOR		1	
	Q861	DTA123JUA	DIGI TRANSISTOR		1	
	Q901	DTA123JUA	DIGI TRANSISTOR		1	
	D1	RB160L-40	DIODE		1	
	D51	RB080L-30	DIODE		1	
	D61	RB080L-30	DIODE		1	
	D131	DZ2J068/M/-X	Z DIODE		1	
	D132	DZ2J068/M/-X	Z DIODE		1	
	D133	DZ2J068/M/-X	Z DIODE		1	
	D134	DZ2J051/M/-X	Z DIODE		1	
	D135	RB521S-30	DIODE		1	
	D136	DAP202U	DIODE		1	
	D137	GS1J-LTP-X	SI DIODE		1	
	D138	GS1J-LTP-X	SI DIODE		1	
	D139	GS1J-LTP-X	SI DIODE		1	
	D140	GS1J-LTP-X	SI DIODE		1	
	D141	S2V60-5009F46	DIODE		1	
	D202	DA2J101-X	SI DIODE		1	
	D231	DAP202U	DIODE		1	
	D251	DAP202U	DIODE		1	
	D302	RN731V	DIODE		1	
	D303	RN731V	DIODE		1	
	D360	IMSA680201901	SURGE ABSORBER		1	
	D403	DZ2J062/M/-X	Z DIODE		1	K0,M1,E1
	D406	DZ2J056/M/-X	Z DIODE		1	K0,M1,E1
	D408	DA204U	DIODE		1	K0,M1,E1
	D409	DA204U	DIODE		1	
	D410	DA204U	DIODE		1	K0,M1,E1
	D411	DA204U	DIODE		1	
	D461	DZ2J068/M/-X	Z DIODE		1	K0,K1
	D462	DZ2J068/M/-X	Z DIODE		1	K0,K1
	D463	DZ2J062/M/-X	Z DIODE		1	K0,K1
	D465	DZ2J062/M/-X	Z DIODE		1	K0,K1
	D466	DZ2J062/M/-X	Z DIODE		1	K0,K1
	D467	DZ2J062/M/-X	Z DIODE		1	K0,K1
	D511	DZ2J068/M/-X	Z DIODE		1	
	D512	DZ2J068/M/-X	Z DIODE		1	
	D513	DZ2J068/M/-X	Z DIODE		1	
	D523	HZM6.8ZMWA-E	Z DIODE		1	
	D701	SJPM-H4	DIODE		1	
	D911	DA204U	DIODE		1	
	D913	DA204U	DIODE		1	
	D914	DA204U	DIODE		1	
	D915	DA204U	DIODE		1	
	C1	CK73FB1C105K	CHIP C	1.0UF 16V K	1	
	C3	CK73FB1C105K	CHIP C	1.0UF 16V K	1	
	C5	CK73FB1C105K	CHIP C	1.0UF 16V K	1	
	C6	CD04AR1C471M	ELECTRO	470UF 16WV	1	
	C7	CD04AS0J101M	ELECTRO	100UF 6.3WV	1	
	C8	CK73GB1A105K	CHIP C	1.0UF 10V K	1	
	C9	CK73GB1A105K	CHIP C	1.0UF 10V K	1	
	C10	CK73FB1H224K	CHIP C	0.22UF 50V K	1	K0,K1,M1,M2,H1
	C11	CK73FB1H224K	CHIP C	0.22UF 50V K	1	
	C21	CK73GB0J225K	CHIP C	2.2UF 6.3V K	1	

MODEL	MARK	MODEL	MARK	MODEL	MARK	MODEL	MARK
DPX500BT	K0	DPX300U	K1	DPX-U5130BT	M1	DPX-U5130	M2
DPX405BT	E1	DPX305U	E2	DPX-U5130	H1		

Safe	Symbol No.	Parts No.	Parts Name	Description	QTY	Local
	C52	CK73EB1H475K	CHIP C	4.7UF 50V K	1	
	C53	CK73EB1H475K	CHIP C	4.7UF 50V K	1	
	C54	CK73GB1H104K	CHIP C	0.10UF 50V K	1	
	C55	CK73GB1H472K	CHIP C	4700PF 50V K	1	
	C57	CK73EB1A106K	CHIP C	10UF 10V K	1	
	C58	CK73EB1A106K	CHIP C	10UF 10V K	1	
	C60	CK73GB1H103K	CHIP C	0.010UF 50V K	1	
	C62	CK73EB1H475K	CHIP C	4.7UF 50V K	1	
	C63	CK73EB1H475K	CHIP C	4.7UF 50V K	1	
	C64	CK73GB1H104K	CHIP C	0.10UF 50V K	1	
	C65	CK73GB1H153K	CHIP C	0.015UF 50V K	1	
	C67	CK73EB1A106K	CHIP C	10UF 10V K	1	
	C70	CK73GB1H103K	CHIP C	0.010UF 50V K	1	
	C71	CK73GB1H104K	CHIP C	0.10UF 50V K	1	
	C72	CK73FB1A225K	CHIP C	2.2UF 10V K	1	
	C73	CK73GB0J475K	CHIP C	4.7UF 6.3V K	1	
	C91	CK73GB1H104K	CHIP C	0.10UF 50V K	1	
	C92	CD04BR1C221M	ELECTRO	220UF 16WV	1	
	C93	CK73GB1H104K	CHIP C	0.10UF 50V K	1	
	C132	CK73GB1H103K	CHIP C	0.010UF 50V K	1	
	C133	CK73GB1H104K	CHIP C	0.10UF 50V K	1	
	C135	CK73GB1A105K	CHIP C	1.0UF 10V K	1	
	C136	CK73GB1H223K	CHIP C	0.022UF 50V K	1	
	C138	CD04AZ1C332M2	ELECTRO	3300UF 16WV	1	
	C201	CK73GB1C224K	CHIP C	0.22UF 16V K	1	
	C202	CK73GB1C224K	CHIP C	0.22UF 16V K	1	
	C203	CK73GB1C224K	CHIP C	0.22UF 16V K	1	
	C204	CK73GB1C224K	CHIP C	0.22UF 16V K	1	
	C205	CK73GB1A105K	CHIP C	1.0UF 10V K	1	
	C206	CD04AS1V100M	ELECTRO	10UF 35WV	1	
	C207	CK73GB1A105K	CHIP C	1.0UF 10V K	1	
	C208	CK73GB1A105K	CHIP C	1.0UF 10V K	1	
	C211	CC73GCH1H471J	CHIP C	470PF 50V J	1	
	C212	CC73GCH1H471J	CHIP C	470PF 50V J	1	
	C213	CC73GCH1H471J	CHIP C	470PF 50V J	1	
	C214	CC73GCH1H471J	CHIP C	470PF 50V J	1	
	C215	CC73GCH1H471J	CHIP C	470PF 50V J	1	
	C216	CC73GCH1H471J	CHIP C	470PF 50V J	1	
	C217	CC73GCH1H471J	CHIP C	470PF 50V J	1	
	C218	CC73GCH1H471J	CHIP C	470PF 50V J	1	
	C231	CD04AS1V100M	ELECTRO	10UF 35WV	1	
	C232	CD04AS1V100M	ELECTRO	10UF 35WV	1	
	C233	CD04AS1V100M	ELECTRO	10UF 35WV	1	
	C234	CD04AS1V100M	ELECTRO	10UF 35WV	1	
	C235	CD04AS1V100M	ELECTRO	10UF 35WV	1	K0,K1,M1
	C236	CD04AS1V100M	ELECTRO	10UF 35WV	1	K0,K1,M1
	C237	CK73GB1H102K	CHIP C	1000PF 50V K	1	H1
	C238	CK73GB1H102K	CHIP C	1000PF 50V K	1	H1
	C239	CK73GB1H102K	CHIP C	1000PF 50V K	1	H1
	C240	CK73GB1H102K	CHIP C	1000PF 50V K	1	H1
	C251	CK73GB1A105K	CHIP C	1.0UF 10V K	1	
	C252	CK73GB1A105K	CHIP C	1.0UF 10V K	1	K0,K1,M1
	C253	CK73GB1A105K	CHIP C	1.0UF 10V K	1	M2,E1,E2,H1
	C254	CK73GB1A105K	CHIP C	1.0UF 10V K	1	M2,E1,E2,H1
	C255	CK73GB1A105K	CHIP C	1.0UF 10V K	1	
	C256	CD04AS1C470M	ELECTRO	47UF 16WV	1	
	C258	CD04AS1H010M	ELECTRO	1UF 50WV	1	
	C301	CC73GCH1H220J	CHIP C	22PF 50V J	1	
	C302	CC73GCH1H060D	CHIP C	6.0PF 50V D	1	K0,K1,E1
	C302	CC73GCH1H030C	CHIP C	3.0PF 50V C	1	M1,M2,H1
	C306	CK73GB1H102K	CHIP C	1000PF 50V K	1	
	C307	CK73GB1H102K	CHIP C	1000PF 50V K	1	
	C311	CC73GCH1H470J	CHIP C	47PF 50V J	1	
	C312	CC73GCH1H030C	CHIP C	3.0PF 50V C	1	
	C315	CK73GB1H222K	CHIP C	2200PF 50V K	1	
	C316	CC73GCH1H150J	CHIP C	15PF 50V J	1	
	C317	CC73GCH1H060D	CHIP C	6.0PF 50V D	1	K0,K1,E1
	C318	CC73GCH1H080D	CHIP C	8.0PF 50V D	1	
	C319	CC73GCH1H080D	CHIP C	8.0PF 50V D	1	
	C320	CC73GCH1H080D	CHIP C	8.0PF 50V D	1	
	C321	CC73GCH1H080D	CHIP C	8.0PF 50V D	1	
	C322	CC73GCH1H471J	CHIP C	470PF 50V J	1	
	C323	CK73GB1H104K	CHIP C	0.10UF 50V K	1	
	C324	CK73GB1H102K	CHIP C	1000PF 50V K	1	
	C325	CK73GB1H102K	CHIP C	1000PF 50V K	1	
	C326	CK73GB1A105K	CHIP C	1.0UF 10V K	1	
	C327	CK73FB1C106K	CHIP C	10UF 16V K	1	
	C328	CK73GB1C224K	CHIP C	0.22UF 16V K	1	
	C329	CK73HB1H332K	CHIP C	3300PF 50V K	1	
	C330	CK73FB1C106K	CHIP C	10UF 16V K	1	
	C331	CK73FB1C106K	CHIP C	10UF 16V K	1	
	C332	CK73GB1H103K	CHIP C	0.010UF 50V K	1	
	C333	CK73GB1H103K	CHIP C	0.010UF 50V K	1	
	C336	CK73HB1A104K	CHIP C	0.10UF 10V K	1	
	C337	CK73GB1H682K	CHIP C	6800PF 50V K	1	
	C338	CK73GB1H682K	CHIP C	6800PF 50V K	1	
	C339	CK73GB0J475K	CHIP C	4.7UF 6.3V K	1	
	C340	CK73GB1A105K	CHIP C	1.0UF 10V K	1	
	C341	CK73GB1A105K	CHIP C	1.0UF 10V K	1	
	C345	CK73GB1H104K	CHIP C	0.10UF 50V K	1	

MODEL	MARK	MODEL	MARK	MODEL	MARK	MODEL	MARK
DPX500BT	K0	DPX300U	K1	DPX-U5130BT	M1	DPX-U5130	M2
DPX405BT	E1	DPX305U	E2	DPX-U5130	H1		

Safe	Symbol No.	Parts No.	Parts Name	Description	QTY	Local
	C346	CK73GB1H104K	CHIP C	0.10UF 50V K	1	
	C349	CK73GB1H104K	CHIP C	0.10UF 50V K	1	
	C350	CK73FB1C106K	CHIP C	10UF 16V K	1	
	C351	CK73GB1A105K	CHIP C	1.0UF 10V K	1	
	C352	CK73GB1A105K	CHIP C	1.0UF 10V K	1	
	C401	C90-6990-05	ELECTRO	220UF 10WV	1	K0,M1,E1
	C402	CK73GB1H104K	CHIP C	0.10UF 50V K	1	K0,M1,E1
	C404	CK73GB1H104K	CHIP C	0.10UF 50V K	1	K0,M1,E1
	C419	CK73GB1A105K	CHIP C	1.0UF 10V K	1	K0,M1,E1
	C420	CK73GB1A105K	CHIP C	1.0UF 10V K	1	K0,M1,E1
	C423	CK73EB0J226K	CHIP C	22UF 6.3V K	1	K0,M1,E1
	C424	CK73GB1H103K	CHIP C	0.010UF 50V K	1	K0,M1,E1
	C425	CK73GB1A105K	CHIP C	1.0UF 10V K	1	K0,M1,E1
	C461	CK73GB1A105K	CHIP C	1.0UF 10V K	1	K0,K1
	C462	CK73GB1A105K	CHIP C	1.0UF 10V K	1	K0,K1
	C463	CD04AS0J470M	ELECTRO	47UF 6.3WV	1	K0,K1
	C511	CK73GB1H102K	CHIP C	1000PF 50V K	1	K0,K1,M1,M2,E1
	C511	CK73GB1H472K	CHIP C	4700PF 50V K	1	H1
	C512	CK73GB1H102K	CHIP C	1000PF 50V K	1	K0,K1,M1,M2,E1
	C512	CK73GB1H472K	CHIP C	4700PF 50V K	1	H1
	C513	CK73GB1H104K	CHIP C	0.10UF 50V K	1	
	C514	CK73GB1H104K	CHIP C	0.10UF 50V K	1	
	C515	CD04AS0J470M	ELECTRO	47UF 6.3WV	1	
	C516	CK73GB1H103K	CHIP C	0.010UF 50V K	1	
	C701	CD04AS1H4R7M	ELECTRO	4.7UF 50WV	1	
	C702	CD04AS1H4R7M	ELECTRO	4.7UF 50WV	1	
	C706	CK73GB1A105K	CHIP C	1.0UF 10V K	1	
	C707	CK73GB1A105K	CHIP C	1.0UF 10V K	1	
	C710	CD04AS1C101M	ELECTRO	100UF 16WV	1	
	C732	CC73GCH1H050C	CHIP C	5.0PF 50V C	1	
	C801	CK73GB1H104K	CHIP C	0.10UF 50V K	1	
	C802	CK73GB1H104K	CHIP C	0.10UF 50V K	1	
	C803	CK73GB1H104K	CHIP C	0.10UF 50V K	1	
	C804	CK73GB1H104K	CHIP C	0.10UF 50V K	1	
	C805	CK73GB1H104K	CHIP C	0.10UF 50V K	1	
	C806	CK73GB1H104K	CHIP C	0.10UF 50V K	1	
	C807	CK73GB1H104K	CHIP C	0.10UF 50V K	1	
	C808	CK73GB1H104K	CHIP C	0.10UF 50V K	1	
	C809	CK73GB1H104K	CHIP C	0.10UF 50V K	1	
	C810	CK73GB1H104K	CHIP C	0.10UF 50V K	1	
	C811	CK73GB1H104K	CHIP C	0.10UF 50V K	1	
	C812	CK73GB1H104K	CHIP C	0.10UF 50V K	1	
	C813	CK73GB1H104K	CHIP C	0.10UF 50V K	1	
	C814	CK73GB1H104K	CHIP C	0.10UF 50V K	1	
	C815	CK73GB1H104K	CHIP C	0.10UF 50V K	1	
	C816	CK73GB1H104K	CHIP C	0.10UF 50V K	1	
	C817	CK73GB1H104K	CHIP C	0.10UF 50V K	1	
	C818	CK73GB1H102K	CHIP C	1000PF 50V K	1	
	C819	CK73GB1H102K	CHIP C	1000PF 50V K	1	
	C831	CK73GB1H104K	CHIP C	0.10UF 50V K	1	
	C841	CC73GCH1H150J	CHIP C	15PF 50V J	1	
	C842	CC73GCH1H150J	CHIP C	15PF 50V J	1	
	C845	CK73GB1H104K	CHIP C	0.10UF 50V K	1	
	C846	CK73GB1H682K	CHIP C	6800PF 50V K	1	
	C847	CK73GB1H104K	CHIP C	0.10UF 50V K	1	
	C851	CK73GB1H104K	CHIP C	0.10UF 50V K	1	
	C861	CK73GB1H104K	CHIP C	0.10UF 50V K	1	
	C912	CK73GB1H102K	CHIP C	1000PF 50V K	1	
	R1	RK73GH2A563D	CHIP R	56K D 1/10W	1	
	R2	RK73GH2A752D	CHIP R	7.5K D 1/10W	1	
	R3	RK73GH2A472D	CHIP R	4.7K D 1/10W	1	
	R4	RK73GH2A273D	CHIP R	27K D 1/10W	1	
	R5	RK73GB2A472J	CHIP R	4.7K J 1/10W	1	
	R6	RK73GB2A103J	CHIP R	10K J 1/10W	1	
	R7	RK73GB2A472J	CHIP R	4.7K J 1/10W	1	
	R8	RK73GB2A103J	CHIP R	10K J 1/10W	1	
	R51	RK73GB2A822J	CHIP R	8.2K J 1/10W	1	
	R52	RK73GH2A164D	CHIP R	160K D 1/10W	1	
	R53	RK73GH2A333D	CHIP R	33K D 1/10W	1	
	R57	RK73GB2A102J	CHIP R	1.0K J 1/10W	1	
	R59	RK73GB2A101J	CHIP R	100 J 1/10W	1	
	R61	RK73GB2A222J	CHIP R	2.2K J 1/10W	1	
	R62	RK73GH2A513D	CHIP R	51K D 1/10W	1	
	R63	RK73GH2A223D	CHIP R	22K D 1/10W	1	
	R71	RK73GB2A102J	CHIP R	1.0K J 1/10W	1	
	R92	RK73GH2A223D	CHIP R	22K D 1/10W	1	
	R93	RK73GB2A222J	CHIP R	2.2K J 1/10W	1	
	R94	RK73GB2A104J	CHIP R	100K J 1/10W	1	
	R131	RK73GB2A104J	CHIP R	100K J 1/10W	1	
	R132	RK73GB2A104J	CHIP R	100K J 1/10W	1	
	R133	RK73GB2A223J	CHIP R	22K J 1/10W	1	
	R134	RK73FB2B154J	CHIP R	150K J 1/8W	1	
	R135	RK73EB2E473J	CHIP R	47K J 1/4W	1	
	R136	RK73GB2A203J	CHIP R	20K J 1/10W	1	
	R138	RK73EB2E102J	CHIP R	1.0K J 1/4W	1	
	R139	RK73EB2E102J	CHIP R	1.0K J 1/4W	1	
	R140	RK73EB2E102J	CHIP R	1.0K J 1/4W	1	
	R141	RK73GB2A103J	CHIP R	10K J 1/10W	1	
	R142	RK73GB2A104J	CHIP R	100K J 1/10W	1	
	R143	RK73EB2E333J	CHIP R	33K J 1/4W	1	
	R144	RK73GB2A223J	CHIP R	22K J 1/10W	1	
	R145	RK73GB2A104J	CHIP R	100K J 1/10W	1	

MODEL	MARK	MODEL	MARK	MODEL	MARK	MODEL	MARK
DPX500BT	K0	DPX300U	K1	DPX-U5130BT	M1	DPX-U5130	M2
DPX405BT	E1	DPX305U	E2	DPX-U5130	H1		

Safe	Symbol No.	Parts No.	Parts Name	Description	QTY	Local
	R146	RK73EB2E471J	CHIP R	470 J 1/4W	1	
	R147	RK73GB2A123J	CHIP R	12K J 1/10W	1	
	R148	RK73GB2A683J	CHIP R	68K J 1/10W	1	
	R150	RK73EB2E103J	CHIP R	10K J 1/4W	1	
	R151	RK73GB2A103J	CHIP R	10K J 1/10W	1	
	R153	RK73FB2B472J	CHIP R	4.7K J 1/8W	1	
	R154	RK73FB2B472J	CHIP R	4.7K J 1/8W	1	
	R155	RK73GB2A000J	CHIP R	0.0 J 1/10W	1	E1,E2
	R156	RK73GB2A000J	CHIP R	0.0 J 1/10W	1	K0,K1,M1,M2,H1
	R201	RK73GB2A473J	CHIP R	47K J 1/10W	1	
	R203	RK73GB2A182J	CHIP R	1.8K J 1/10W	1	
	R204	RK73GB2A6R8J	CHIP R	6.8 J 1/10W	1	
	R205	RK73GB2A473J	CHIP R	47K J 1/10W	1	
	R206	RK73GB2A331J	CHIP R	330 J 1/10W	1	
	R231	RK73GB2A331J	CHIP R	330 J 1/10W	1	
	R232	RK73GB2A331J	CHIP R	330 J 1/10W	1	
	R233	RK73GB2A223J	CHIP R	22K J 1/10W	1	
	R234	RK73GB2A223J	CHIP R	22K J 1/10W	1	
	R235	RK73FB2B181J	CHIP R	180 J 1/8W	1	
	R236	RK73FB2B181J	CHIP R	180 J 1/8W	1	
	R237	RK73GB2A331J	CHIP R	330 J 1/10W	1	
	R238	RK73GB2A331J	CHIP R	330 J 1/10W	1	
	R239	RK73GB2A223J	CHIP R	22K J 1/10W	1	
	R240	RK73GB2A223J	CHIP R	22K J 1/10W	1	
	R241	RK73FB2B181J	CHIP R	180 J 1/8W	1	
	R242	RK73FB2B181J	CHIP R	180 J 1/8W	1	
	R243	RK73GB2A331J	CHIP R	330 J 1/10W	1	K0,K1,M1
	R244	RK73GB2A331J	CHIP R	330 J 1/10W	1	K0,K1,M1
	R245	RK73GB2A223J	CHIP R	22K J 1/10W	1	K0,K1,M1
	R246	RK73GB2A223J	CHIP R	22K J 1/10W	1	K0,K1,M1
	R247	RK73FB2B181J	CHIP R	180 J 1/8W	1	K0,K1,M1
	R248	RK73FB2B181J	CHIP R	180 J 1/8W	1	K0,K1,M1
	R251	RK73GB2A472J	CHIP R	4.7K J 1/10W	1	
	R252	RK73GB2A103J	CHIP R	10K J 1/10W	1	
	R255	RK73GB2A000J	CHIP R	0.0 J 1/10W	1	
	R256	RK73GB2A000J	CHIP R	0.0 J 1/10W	1	M2,E1,E2,H1
	R260	RK73GB2A000J	CHIP R	0.0 J 1/10W	1	K0,K1
	R264	RK73GB2A000J	CHIP R	0.0 J 1/10W	1	K0,K1,M1
	R302	RK73GB2A105J	CHIP R	1.0M J 1/10W	1	
	R303	RK73GB2A471J	CHIP R	470 J 1/10W	1	
	R304	RK73GB2A271J	CHIP R	270 J 1/10W	1	
	R305	RK73GB2A105J	CHIP R	1.0M J 1/10W	1	
	R306	RK73GB2A000J	CHIP R	0.0 J 1/10W	1	M1,M2,H1
	R307	RK73GB2A105J	CHIP R	1.0M J 1/10W	1	
	R308	RK73GB2A105J	CHIP R	1.0M J 1/10W	1	
	R309	RK73GB2A121J	CHIP R	120 J 1/10W	1	M1,M2,H1
	R311	RK73GB2A120J	CHIP R	12 J 1/10W	1	
	R342	RK73GB2A000J	CHIP R	0.0 J 1/10W	1	
	R343	RK73GB2A000J	CHIP R	0.0 J 1/10W	1	
	R344	RK73GB2A000J	CHIP R	0.0 J 1/10W	1	
	R347	RK73HB1J101J	CHIP R	100 J 1/16W	1	
	R350	RK73GB2A000J	CHIP R	0.0 J 1/10W	1	
	R351	RK73GB2A000J	CHIP R	0.0 J 1/10W	1	
	R352	RK73GB2A000J	CHIP R	0.0 J 1/10W	1	
	R353	RK73GB2A101J	CHIP R	100 J 1/10W	1	
	R354	RK73GB2A101J	CHIP R	100 J 1/10W	1	
	R357	RK73GB2A470J	CHIP R	47 J 1/10W	1	
	R361	RK73GB2A332J	CHIP R	3.3K J 1/10W	1	
	R362	RK73GB2A332J	CHIP R	3.3K J 1/10W	1	
	R398	RK73GB2A472J	CHIP R	4.7K J 1/10W	1	
	R399	RK73GB2A472J	CHIP R	4.7K J 1/10W	1	
	R401	RK73EB2E101J	CHIP R	100 J 1/4W	1	K0,M1,E1
	R403	RK73GB2A473J	CHIP R	47K J 1/10W	1	K0,M1,E1
	R405	RK73GB2A473J	CHIP R	47K J 1/10W	1	K0,M1,E1
	R406	RK73GB2A122J	CHIP R	1.2K J 1/10W	1	K0,M1,E1
	R407	RK73GB2A122J	CHIP R	1.2K J 1/10W	1	K0,M1,E1
	R409	RK73GB2A102J	CHIP R	1.0K J 1/10W	1	K0,M1,E1
	R411	RK73GB2A220J	CHIP R	22 J 1/10W	1	K0,M1,E1
	R412	RK73GB2A222J	CHIP R	2.2K J 1/10W	1	K0,M1,E1
	R434	RK73GB2A471J	CHIP R	470 J 1/10W	1	K0,M1,E1
	R461	RK73GB2A103J	CHIP R	10K J 1/10W	1	K0,K1
	R462	RK73GB2A103J	CHIP R	10K J 1/10W	1	K0,K1
	R463	RK73EB2E100J	CHIP R	10 J 1/4W	1	K0,K1
	R464	RK73EB2E100J	CHIP R	10 J 1/4W	1	K0,K1
	R465	RK73EB2E4R7J	CHIP R	4.7 J 1/4W	1	K0,K1
	R467	RK73EB2E221J	CHIP R	220 J 1/4W	1	K0,K1
	R469	RK73EB2E101J	CHIP R	100 J 1/4W	1	K0,K1
	R470	RK73EB2E221J	CHIP R	220 J 1/4W	1	K0,K1
	R471	RK73GB2A473J	CHIP R	47K J 1/10W	1	K0,K1
	R475	RK73GB2A221J	CHIP R	220 J 1/10W	1	K0,K1
	R476	RK73GB2A221J	CHIP R	220 J 1/10W	1	K0,K1
	R477	RK73GB2A221J	CHIP R	220 J 1/10W	1	K0,K1
	R511	RK73EB2E100J	CHIP R	10 J 1/4W	1	
	R512	RK73EB2E100J	CHIP R	10 J 1/4W	1	
	R513	RK73GB2A103J	CHIP R	10K J 1/10W	1	
	R514	RK73GB2A103J	CHIP R	10K J 1/10W	1	
	R515	RK73EB2E4R7J	CHIP R	4.7 J 1/4W	1	
	R516	RK73GB2A102J	CHIP R	1.0K J 1/10W	1	
	R521	RK73GB2A100J	CHIP R	10 J 1/10W	1	
	R522	RK73GB2A100J	CHIP R	10 J 1/10W	1	

MODEL	MARK	MODEL	MARK	MODEL	MARK	MODEL	MARK
DPX500BT	K0	DPX300U	K1	DPX-U5130BT	M1	DPX-U5130	M2
DPX405BT	E1	DPX305U	E2	DPX-U5130	H1		

Safe	Symbol No.	Parts No.	Parts Name	Description	QTY	Local
	R523	RK73GB2A153J	CHIP R	15K J 1/10W	1	
	R524	RK73GB2A153J	CHIP R	15K J 1/10W	1	
	R701	RK73GB2A101J	CHIP R	100 J 1/10W	1	
	R702	RK73GB2A101J	CHIP R	100 J 1/10W	1	
	R703	RK73GB2A101J	CHIP R	100 J 1/10W	1	
	R704	RK73GB2A101J	CHIP R	100 J 1/10W	1	
	R705	RK73GB2A101J	CHIP R	100 J 1/10W	1	
	R706	RK73GB2A101J	CHIP R	100 J 1/10W	1	
	R707	RK73GB2A101J	CHIP R	100 J 1/10W	1	
	R708	RK73GB2A101J	CHIP R	100 J 1/10W	1	
	R709	RK73GB2A101J	CHIP R	100 J 1/10W	1	
	R710	RK73GB2A101J	CHIP R	100 J 1/10W	1	
	R711	RK73GB2A101J	CHIP R	100 J 1/10W	1	
	R712	RK73GB2A101J	CHIP R	100 J 1/10W	1	
	R713	RK73GB2A101J	CHIP R	100 J 1/10W	1	
	R714	RK73GB2A102J	CHIP R	1.0K J 1/10W	1	
	R715	RK73GB2A101J	CHIP R	100 J 1/10W	1	
	R716	RK73GB2A102J	CHIP R	1.0K J 1/10W	1	
	R717	RK73GB2A473J	CHIP R	47K J 1/10W	1	
	R718	RK73GB2A473J	CHIP R	47K J 1/10W	1	
	R720	RK73GB2A222J	CHIP R	2.2K J 1/10W	1	
	R721	RK73GB2A222J	CHIP R	2.2K J 1/10W	1	
	R722	RK73GB2A222J	CHIP R	2.2K J 1/10W	1	
	R724	RK73GB2A223J	CHIP R	22K J 1/10W	1	
	R725	RK73GB2A471J	CHIP R	470 J 1/10W	1	
	R726	RK73GB2A223J	CHIP R	22K J 1/10W	1	
	R727	RK73GB2A103J	CHIP R	10K J 1/10W	1	
	R732	RK73GB2A100J	CHIP R	10 J 1/10W	1	
	R801	RK73GB2A473J	CHIP R	47K J 1/10W	1	K1,M2,E2,H1
	R802	RK73GB2A473J	CHIP R	47K J 1/10W	1	K0,M1,E1
	R803	RK73GB2A473J	CHIP R	47K J 1/10W	1	M1,M2,E1,E2,H1
	R804	RK73GB2A473J	CHIP R	47K J 1/10W	1	K0,K1
	R804	RK73GB2A223J	CHIP R	22K J 1/10W	1	M1,M2,H1
	R805	RK73GB2A104J	CHIP R	100K J 1/10W	1	
	R806	RK73GB2A473J	CHIP R	47K J 1/10W	1	
	R807	RK73GB2A104J	CHIP R	100K J 1/10W	1	
	R811	RK73GB2A473J	CHIP R	47K J 1/10W	1	
	R831	RK73HB1J473J	CHIP R	47K J 1/16W	1	
	R835	RK73GB2A473J	CHIP R	47K J 1/10W	1	
	R836	RK73GB2A104J	CHIP R	100K J 1/10W	1	
	R837	RK73GB2A101J	CHIP R	100 J 1/10W	1	
	R838	RK73GB2A101J	CHIP R	100 J 1/10W	1	
	R839	RK73GB2A000J	CHIP R	0.0 J 1/10W	1	
	R841	RK73GB2A332J	CHIP R	3.3K J 1/10W	1	
	R842	RK73GB2A105J	CHIP R	1.0M J 1/10W	1	
	R845	RK73GB2A473J	CHIP R	47K J 1/10W	1	
	R846	RK73EB2E102J	CHIP R	1.0K J 1/4W	1	
	R851	RK73GB2A332J	CHIP R	3.3K J 1/10W	1	
	R852	RK73GB2A332J	CHIP R	3.3K J 1/10W	1	
	R855	RK73GB2A220J	CHIP R	22 J 1/10W	1	
	R861	RK73GB2A332J	CHIP R	3.3K J 1/10W	1	
	R862	RK73GB2A332J	CHIP R	3.3K J 1/10W	1	
	R863	RK73GB2A473J	CHIP R	47K J 1/10W	1	
	R897	RK73GB2A473J	CHIP R	47K J 1/10W	1	
	R898	RK73GB2A473J	CHIP R	47K J 1/10W	1	
	R901	RK73EB2E102J	CHIP R	1.0K J 1/4W	1	
	R902	RK73EB2E102J	CHIP R	1.0K J 1/4W	1	
	R903	RK73EB2E102J	CHIP R	1.0K J 1/4W	1	
	R904	RK73EB2E102J	CHIP R	1.0K J 1/4W	1	
	R905	RK73EB2E102J	CHIP R	1.0K J 1/4W	1	
	R906	RK73EB2E102J	CHIP R	1.0K J 1/4W	1	
	R907	RK73EB2E102J	CHIP R	1.0K J 1/4W	1	
	R908	RK73EB2E102J	CHIP R	1.0K J 1/4W	1	
	R909	RK73EB2E102J	CHIP R	1.0K J 1/4W	1	
	R911	RK73GB2A222J	CHIP R	2.2K J 1/10W	1	
	R912	RK73GB2A222J	CHIP R	2.2K J 1/10W	1	
	R913	RK73GB2A225J	CHIP R	2.2M J 1/10W	1	
	R916	RK73GB2A473J	CHIP R	47K J 1/10W	1	
	R917	RK73GB2A473J	CHIP R	47K J 1/10W	1	
	R918	RK73EB2E102J	CHIP R	1.0K J 1/4W	1	
	R919	RK73GB2A101J	CHIP R	100 J 1/10W	1	
	R920	RK73GB2A101J	CHIP R	100 J 1/10W	1	
	R921	RK73GB2A104J	CHIP R	100K J 1/10W	1	
	L51	L92-0639-05	CHIP FERRITE		1	
	L52	L33-2601-05	CHOKE COIL		1	
	L53	L92-0639-05	CHIP FERRITE		1	
	L61	L92-0612-05	CHIP FERRITE		1	
	L62	L33-2440-05	SMALL FIXED INDUCTOR		1	
	L63	L92-0612-05	CHIP FERRITE		1	
	L131	QQR1909-001	CHOKE COIL		1	
	L252	L92-0410-05	CHIP FERRITE		1	
	L254	L41-4792-67	SMALL FIXED INDUCTOR		1	
	L305	L41-1895-52	SMALL FIXED INDUCTOR	1.8U	1	K0,K1,E1
	L306	L41-2785-61	SMALL FIXED INDUCTOR		1	
	L311	L41-6885-52	SMALL FIXED INDUCTOR	680NH	1	K0,K1,E1
	L311	L41-1095-52	SMALL FIXED INDUCTOR		1	M1,M2,H1

MODEL	MARK	MODEL	MARK	MODEL	MARK	MODEL	MARK
DPX500BT	K0	DPX300U	K1	DPX-U5130BT	M1	DPX-U5130	M2
DPX405BT	E1	DPX305U	E2	DPX-U5130	H1		

Safe	Symbol No.	Parts No.	Parts Name	Description	QTY	Local
	L313	L41-6885-52	SMALL FIXED INDUCTOR	680NH	1	K0,K1,E1
	L313	L41-3395-52	SMALL FIXED INDUCTOR	3.3U	1	M1,M2,H1
	L314	L41-4785-52	SMALL FIXED INDUCTOR	470NH	1	K0,K1,E1
	L314	L41-8285-52	SMALL FIXED INDUCTOR	820NH	1	M1,M2,H1
	L316	L41-5611-66	SMALL FIXED INDUCTOR	560UH	1	
	L317	L41-5611-66	SMALL FIXED INDUCTOR	560UH	1	
	L321	QQR1905-001	RF COIL		1	
	L324	L92-1008-05	CHIP FERRITE		1	
	L329	L92-1008-05	CHIP FERRITE		1	
	L401	L92-0652-05	CHIP FERRITE		1	K0,M1,E1
	L402	L41-4792-67	SMALL FIXED INDUCTOR		1	K0,M1,E1
	L521	L92-1009-05	CHIP FERRITE		1	
	L831	L92-0397-05	CHIP FERRITE		1	
	CN401	E41-1699-05	PIN ASSY		1	K0,M1,E1
	CN701	QGF1030F3-26X	CONNECTOR	FFC/FPC (1-26)	1	
	CP811	RK74GB1J104J	CHIP-COM	100K J 1/16W	1	
	CP831	RK74GB1J101J	CHIP-COM	100 J 1/16W	1	
△	J131	E58-0991-05	RECTANGULAR RECEPTACLE		1	
	J231	QNN0866-001	PIN JACK		1	K0,K1,M1
	J231	QNN0868-001	PIN JACK		1	M2,E1,E2,H1
	J301	QNB0358-001	ANT TERMINAL		1	
	J461	QNZ0907-001	CRIC CONNECTOR		1	K0,K1
	J902	E59-0867-05	RECTANGULAR PLUG		1	
	X303	NAX1199-001X	CRYSTAL		1	
	X841	L77-3846-05	CRYSTAL RESONATOR	12MHZ	1	
<b>SWITCH UNIT (X16-7430-1x) &lt;X16&gt;</b>						
	IC601	PT6530	MOS-IC		1	
	IC602	PIC95603	IC(ANALOGUE)		1	
	IC603	PCA9632DP2	MOS-IC		1	
	IC604	PCA9633DP1-X	IC(MOS-IC)		1	
	Q601	LTC023JUBFS8	TRANSISTOR		1	
	Q602	LSCR523EBFS8	TRANSISTOR		1	
	Q603	LSCR523EBFS8	TRANSISTOR		1	
	Q604	LTC023JUBFS8	TRANSISTOR		1	
	Q605	LTC023JUBFS8	TRANSISTOR		1	
	Q606	LTC023JUBFS8	TRANSISTOR		1	
	Q608	LTC043ZUBFS8	TRANSISTOR		1	K0,M1,E1
	Q609	LTC043ZUBFS8	TRANSISTOR		1	K0,M1,E1
	Q610	LTC043ZUBFS8	TRANSISTOR		1	
	Q611	LTC043ZUBFS8	TRANSISTOR		1	
	Q612	LTC043ZUBFS8	TRANSISTOR		1	
	D601	B30-1567-05	LED		1	
	D602	B30-3259-05	LED		1	
	D603	B30-3259-05	LED		1	
	D604	B30-3259-05	LED		1	
	D605	B30-3259-05	LED		1	
	D606	B30-3259-05	LED		1	
	D607	B30-3259-05	LED		1	
	D608	B30-3259-05	LED		1	K0,M1,E1
	D609	B30-3259-05	LED		1	
	D610	B30-3259-05	LED		1	
	D611	B30-3259-05	LED		1	
	D615	B30-3259-05	LED		1	
	D653	DA204U	DIODE		1	
	D654	HZM6.8ZMWA-E	Z DIODE		1	
	C603	CK73GB1A105K	CHIP C	1.0UF 10V K	1	
	C606	CK73GB1A105K	CHIP C	1.0UF 10V K	1	
	C607	CK73FB1C106K	CHIP C	10UF 16V K	1	
	C641	CK73GB1A105K	CHIP C	1.0UF 10V K	1	
	C651	CK73GB1H472K	CHIP C	4700PF 50V K	1	
	C654	CC73GCH1H270J	CHIP C	27PF 50V J	1	
	C655	CC73GCH1H270J	CHIP C	27PF 50V J	1	
	C681	CK73GB1H102K	CHIP C	1000PF 50V K	1	
	C682	CK73GB1H104K	CHIP C	0.10UF 50V K	1	
	C683	CK73GB1H104K	CHIP C	0.10UF 50V K	1	
	C684	CK73GB1H104K	CHIP C	0.10UF 50V K	1	
	C686	CK73GB1H104K	CHIP C	0.10UF 50V K	1	
	R601	RK73EB2E911J	CHIP R	910 J 1/4W	1	
	R602	RK73EB2E681J	CHIP R	680 J 1/4W	1	
	R603	RK73EB2E431J	CHIP R	430 J 1/4W	1	
	R604	RK73EB2E621J	CHIP R	620 J 1/4W	1	
	R605	RK73EB2E681J	CHIP R	680 J 1/4W	1	
	R606	RK73EB2E431J	CHIP R	430 J 1/4W	1	
	R607	RK73EB2E621J	CHIP R	620 J 1/4W	1	
	R608	RK73EB2E681J	CHIP R	680 J 1/4W	1	
	R609	RK73EB2E431J	CHIP R	430 J 1/4W	1	
	R610	RK73EB2E621J	CHIP R	620 J 1/4W	1	
	R614	RK73EB2E681J	CHIP R	680 J 1/4W	1	
	R615	RK73EB2E431J	CHIP R	430 J 1/4W	1	
	R616	RK73EB2E621J	CHIP R	620 J 1/4W	1	
	R617	RK73EB2E112J	CHIP R	1.1K J 1/4W	1	
	R618	RK73EB2E751J	CHIP R	750 J 1/4W	1	
	R619	RK73EB2E821J	CHIP R	820 J 1/4W	1	
	R621	RK73EB2E821J	CHIP R	820 J 1/4W	1	K0,M1,E1
	R622	RK73EB2E112J	CHIP R	1.1K J 1/4W	1	

MODEL	MARK	MODEL	MARK	MODEL	MARK	MODEL	MARK
DPX500BT	K0	DPX300U	K1	DPX-U5130BT	M1	DPX-U5130	M2
DPX405BT	E1	DPX305U	E2	DPX-U5130	H1		

Safe	Symbol No.	Parts No.	Parts Name	Description	QTY	Local
	R623	RK73EB2E751J	CHIP R	750 J 1/4W	1	
	R624	RK73EB2E821J	CHIP R	820 J 1/4W	1	
	R625	RK73GB2A222J	CHIP R	2.2K J 1/10W	1	
	R626	RK73GB2A103J	CHIP R	10K J 1/10W	1	
	R627	RK73GB2A222J	CHIP R	2.2K J 1/10W	1	
	R628	RK73GB2A103J	CHIP R	10K J 1/10W	1	
	R641	RK73GB2A101J	CHIP R	100 J 1/10W	1	
	R642	RK73GB2A101J	CHIP R	100 J 1/10W	1	
	R651	RK73GB2A220J	CHIP R	22 J 1/10W	1	
	R652	RK73GB2A220J	CHIP R	22 J 1/10W	1	
	R681	RK73GB2A393J	CHIP R	39K J 1/10W	1	
	R689	RK73GB2A103J	CHIP R	10K J 1/10W	1	
	CP681	RK74GB1J102J	CHIP-COM	1.0K J 1/16W	1	
	CP682	RK74GB1J102J	CHIP-COM	1.0K J 1/16W	1	
	CP683	RK74GB1J102J	CHIP-COM	1.0K J 1/16W	1	
	J601	QNZ1076-001	USB CONNECTOR		1	
	J602	QNS0308-001	3.5 JACK		1	
	J603	E58-1179-05	RECTANGULAR RECEPTACLE		1	
	S601	T99-0484-05	ROTARY ENCODER		1	
	S602	NSW0246-001X	TACT SWITCH		1	
	S603	NSW0246-001X	TACT SWITCH		1	
	S604	NSW0246-001X	TACT SWITCH		1	
	S605	NSW0246-001X	TACT SWITCH		1	
	S606	NSW0246-001X	TACT SWITCH		1	
	S607	NSW0246-001X	TACT SWITCH		1	
	S608	NSW0246-001X	TACT SWITCH		1	
	S609	NSW0246-001X	TACT SWITCH		1	
	S610	NSW0246-001X	TACT SWITCH		1	
	S611	NSW0246-001X	TACT SWITCH		1	
	S612	NSW0246-001X	TACT SWITCH		1	
	S613	NSW0246-001X	TACT SWITCH		1	
	S614	NSW0246-001X	TACT SWITCH		1	
	S615	NSW0246-001X	TACT SWITCH		1	
	S616	NSW0246-001X	TACT SWITCH		1	
	S617	NSW0246-001X	TACT SWITCH		1	
	S618	NSW0246-001X	TACT SWITCH		1	
	S619	NSW0246-001X	TACT SWITCH		1	
<b>BLUETOOTH UNIT (X17-2220-10) &lt;X17&gt;</b>						
	IC2	AK4387ET	MOS-IC		1	K0,M1,E1
	IC3	BU18TD3WG	IC(ANALOGUE)		1	K0,M1,E1
	IC4	BA4560RFV	IC(ANALOGUE)		1	K0,M1,E1
	IC5	TCC860000XEAU	MOS-IC		1	K0,M1,E1
	IC6	E29LV32BT73F8	ROM IC		1	K0,M1,E1
	IC7	EM639165TS6IG	DRAM IC		1	K0,M1,E1
	C1	CC73HCH1H331J	CHIP C	330PF 50V J	1	K0,M1,E1
	C2	CK73GB1A105K	CHIP C	1.0UF 10V K	1	K0,M1,E1
	C5	CK73HB1H102K	CHIP C	1000PF 50V K	1	K0,M1,E1
	C6	CK73HB0J105K	CHIP C	1.0UF 6.3V K	1	K0,M1,E1
	C7	CK73HB0J105K	CHIP C	1.0UF 6.3V K	1	K0,M1,E1
	C8	CK73GB0J475K	CHIP C	4.7UF 6.3V K	1	K0,M1,E1
	C9	CK73HB1H471K	C CAPACITOR	470pF 50V K	1	K0,M1,E1
	C10	CK73HB1H471K	C CAPACITOR	470pF 50V K	1	K0,M1,E1
	C11	CC73HCH1H220J	CHIP C	22PF 50V J	1	K0,M1,E1
	C12	CK73GB1A105K	CHIP C	1.0UF 10V K	1	K0,M1,E1
	C13	CK73HB1A104K	CHIP C	0.10UF 10V K	1	K0,M1,E1
	C14	CK73HB1A104K	CHIP C	0.10UF 10V K	1	K0,M1,E1
	C16	CK73HB1C333K	CHIP C	0.033UF 16V K	1	K0,M1,E1
	C17	CK73GB0J475K	CHIP C	4.7UF 6.3V K	1	K0,M1,E1
	C18	CK73FB0J106K	CHIP C	10UF 6.3V K	1	K0,M1,E1
	C19	CK73FB0J106K	CHIP C	10UF 6.3V K	1	K0,M1,E1
	C20	CK73HB1H222K	CHIP C	2200PF 50V K	1	K0,M1,E1
	C21	CK73HB1C333K	CHIP C	0.033UF 16V K	1	K0,M1,E1
	C22	CK73HB1H222K	CHIP C	2200PF 50V K	1	K0,M1,E1
	C23	CK73HB1A104K	CHIP C	0.10UF 10V K	1	K0,M1,E1
	C24	CK73HB1A104K	CHIP C	0.10UF 10V K	1	K0,M1,E1
	C25	CK73HB1A104K	CHIP C	0.10UF 10V K	1	K0,M1,E1
	C26	CK73HB1H122K	CHIP C	1200PF 50V K	1	K0,M1,E1
	C27	CC73HCH1H180J	CHIP C	18PF 50V J	1	K0,M1,E1
	C28	CC73HCH1H331J	CHIP C	330PF 50V J	1	K0,M1,E1
	C29	CK73HB1A104K	CHIP C	0.10UF 10V K	1	K0,M1,E1
	C30	CK73HB1A104K	CHIP C	0.10UF 10V K	1	K0,M1,E1
	C31	CK73HB1A104K	CHIP C	0.10UF 10V K	1	K0,M1,E1
	C32	CK73HB1E103K	CHIP C	0.010UF 25V K	1	K0,M1,E1
	C33	CK73HB0J105K	CHIP C	1.0UF 6.3V K	1	K0,M1,E1
	C34	CK73HB1A104K	CHIP C	0.10UF 10V K	1	K0,M1,E1
	C35	CK73HB1A104K	CHIP C	0.10UF 10V K	1	K0,M1,E1
	C36	CC73HCH1H100D	CHIP C	10PF 50V D	1	K0,M1,E1
	C37	CC73HCH1H100D	CHIP C	10PF 50V D	1	K0,M1,E1
	C38	CK73HB1A104K	CHIP C	0.10UF 10V K	1	K0,M1,E1
	C39	CK73HB1A104K	CHIP C	0.10UF 10V K	1	K0,M1,E1
	C40	CK73HB1A104K	CHIP C	0.10UF 10V K	1	K0,M1,E1
	C41	CK73HB1A104K	CHIP C	0.10UF 10V K	1	K0,M1,E1
	C42	CK73HB1A104K	CHIP C	0.10UF 10V K	1	K0,M1,E1
	C43	CK73HB1A104K	CHIP C	0.10UF 10V K	1	K0,M1,E1
	C44	CK73HB1A104K	CHIP C	0.10UF 10V K	1	K0,M1,E1
	C45	CK73HB1A104K	CHIP C	0.10UF 10V K	1	K0,M1,E1
	C46	CK73HB1A104K	CHIP C	0.10UF 10V K	1	K0,M1,E1
	C47	CK73HB1A104K	CHIP C	0.10UF 10V K	1	K0,M1,E1
	C48	CK73HB1A104K	CHIP C	0.10UF 10V K	1	K0,M1,E1
	C49	CK73GB0J475K	CHIP C	4.7UF 6.3V K	1	K0,M1,E1

MODEL	MARK	MODEL	MARK	MODEL	MARK	MODEL	MARK
DPX500BT	K0	DPX300U	K1	DPX-U5130BT	M1	DPX-U5130	M2
DPX405BT	E1	DPX305U	E2	DPX-U5130	H1		

Safe	Symbol No.	Parts No.	Parts Name	Description	QTY	Local
	C50	CK73HB1A104K	CHIP C	0.10UF 10V K	1	K0,M1,E1
	C51	CK73FB0J106K	CHIP C	10UF 6.3V K	1	K0,M1,E1
	C52	CK73HB1A104K	CHIP C	0.10UF 10V K	1	K0,M1,E1
	C53	CK73HB1A104K	CHIP C	0.10UF 10V K	1	K0,M1,E1
	C54	CK73HB1A104K	CHIP C	0.10UF 10V K	1	K0,M1,E1
	C55	CK73HB1A104K	CHIP C	0.10UF 10V K	1	K0,M1,E1
	C56	CK73HB1A104K	CHIP C	0.10UF 10V K	1	K0,M1,E1
	C57	CK73HB1A104K	CHIP C	0.10UF 10V K	1	K0,M1,E1
	C58	CK73HB1A104K	CHIP C	0.10UF 10V K	1	K0,M1,E1
	R1	RK73HB1J000J	CHIP R	0.0 J 1/16W	1	K0,M1,E1
	R2	RK73HB1J000J	CHIP R	0.0 J 1/16W	1	K0,M1,E1
	R3	RK73HB1J000J	CHIP R	0.0 J 1/16W	1	K0,M1,E1
	R5	RK73HB1J000J	CHIP R	0.0 J 1/16W	1	K0,M1,E1
	R6	RK73HB1J103J	CHIP R	10K J 1/16W	1	K0,M1,E1
	R7	RK73HB1J103J	CHIP R	10K J 1/16W	1	K0,M1,E1
	R9	RK73HB1J470J	CHIP R	47 J 1/16W	1	K0,M1,E1
	R10	RK73HB1J470J	CHIP R	47 J 1/16W	1	K0,M1,E1
	R11	RK73HB1J470J	CHIP R	47 J 1/16W	1	K0,M1,E1
	R12	RK73HB1J470J	CHIP R	47 J 1/16W	1	K0,M1,E1
	R14	RK73HB1J122J	CHIP R	1.2K J 1/16W	1	K0,M1,E1
	R15	RK73HB1J122J	CHIP R	1.2K J 1/16W	1	K0,M1,E1
	R16	RK73HB1J124J	CHIP R	120K J 1/16W	1	K0,M1,E1
	R17	RK73HB1J124J	CHIP R	120K J 1/16W	1	K0,M1,E1
	R18	RK73HB1J333J	CHIP R	33K J 1/16W	1	K0,M1,E1
	R19	RK73HB1J471J	CHIP R	470 J 1/16W	1	K0,M1,E1
	R20	RK73HB1J103J	CHIP R	10K J 1/16W	1	K0,M1,E1
	R21	RK73HB1J822J	CHIP R	8.2K J 1/16W	1	K0,M1,E1
	R22	RK73HB1J471J	CHIP R	470 J 1/16W	1	K0,M1,E1
	R23	RK73HB1J103J	CHIP R	10K J 1/16W	1	K0,M1,E1
	R24	RK73HB1J472J	CHIP R	4.7K J 1/16W	1	K0,M1,E1
	R25	RK73HB1J153J	CHIP R	15K J 1/16W	1	K0,M1,E1
	R26	RK73HB1J153J	CHIP R	15K J 1/16W	1	K0,M1,E1
	R27	RK73HB1J472J	CHIP R	4.7K J 1/16W	1	K0,M1,E1
	R28	RK73HB1J472J	CHIP R	4.7K J 1/16W	1	K0,M1,E1
	R29	RK73HB1J472J	CHIP R	4.7K J 1/16W	1	K0,M1,E1
	R32	RK73GB2A000J	CHIP R	0.0 J 1/10W	1	K0,M1,E1
	R33	RK73GB2A4R7J	CHIP R	4.7 J 1/10W	1	K0,M1,E1
	R34	RK73HB1J000J	CHIP R	0.0 J 1/16W	1	K0,M1,E1
	R35	RK73HB1J153J	CHIP R	15K J 1/16W	1	K0,M1,E1
	R36	RK73HB1J153J	CHIP R	15K J 1/16W	1	K0,M1,E1
	R37	RK73HB1J220J	CHIP R	22 J 1/16W	1	K0,M1,E1
	R38	RK73HB1J220J	CHIP R	22 J 1/16W	1	K0,M1,E1
	R39	RK73HB1J220J	CHIP R	22 J 1/16W	1	K0,M1,E1
	R40	RK73HB1J220J	CHIP R	22 J 1/16W	1	K0,M1,E1
	R41	RK73HB1J470J	CHIP R	47 J 1/16W	1	K0,M1,E1
	R42	RK73HB1J223J	CHIP R	22K J 1/16W	1	K0,M1,E1
	R43	RK73HB1J223J	CHIP R	22K J 1/16W	1	K0,M1,E1
	R44	RK73HB1J330J	CHIP R	33 J 1/16W	1	K0,M1,E1
	R45	RK73HB1J330J	CHIP R	33 J 1/16W	1	K0,M1,E1
	R50	RK73HB1J470J	CHIP R	47 J 1/16W	1	K0,M1,E1
	R51	RK73HB1J470J	CHIP R	47 J 1/16W	1	K0,M1,E1
	R52	RK73HB1J472J	CHIP R	4.7K J 1/16W	1	K0,M1,E1
	R53	RK73HB1J472J	CHIP R	4.7K J 1/16W	1	K0,M1,E1
	R54	RK73HB1J472J	CHIP R	4.7K J 1/16W	1	K0,M1,E1
	R55	RK73HB1J472J	CHIP R	4.7K J 1/16W	1	K0,M1,E1
	R56	RK73HB1J472J	CHIP R	4.7K J 1/16W	1	K0,M1,E1
	R58	RK73HB1J470J	CHIP R	47 J 1/16W	1	K0,M1,E1
	R59	RK73HB1J470J	CHIP R	47 J 1/16W	1	K0,M1,E1
	R60	RK73HB1J470J	CHIP R	47 J 1/16W	1	K0,M1,E1
	R61	RK73HB1J223J	CHIP R	22K J 1/16W	1	K0,M1,E1
	R62	RK73HB1J102J	CHIP R	1.0K J 1/16W	1	K0,M1,E1
	R63	RK73HB1J102J	CHIP R	1.0K J 1/16W	1	K0,M1,E1
	R64	RK73HB1J105J	CHIP R	1.0M J 1/16W	1	K0,M1,E1
	R65	RK73HB1J332J	CHIP R	3.3K J 1/16W	1	K0,M1,E1
	R66	RK73HB1J472J	CHIP R	4.7K J 1/16W	1	K0,M1,E1
	R67	RK73HB1J470J	CHIP R	47 J 1/16W	1	K0,M1,E1
	R68	RK73HB1J472J	CHIP R	4.7K J 1/16W	1	K0,M1,E1
	R69	RK73HB1J470J	CHIP R	47 J 1/16W	1	K0,M1,E1
	R70	RK73GB2A000J	CHIP R	0.0 J 1/10W	1	K0,M1,E1
	R71	RK73HB1J470J	CHIP R	47 J 1/16W	1	K0,M1,E1
	R72	RK73GB2A000J	CHIP R	0.0 J 1/10W	1	K0,M1,E1
	R73	RK73GB2A000J	CHIP R	0.0 J 1/10W	1	K0,M1,E1
	R74	RK73HB1J472J	CHIP R	4.7K J 1/16W	1	K0,M1,E1
	R76	RK73HB1J104J	CHIP R	100K J 1/16W	1	K0,M1,E1
	R77	RK73HB1J000J	CHIP R	0.0 J 1/16W	1	K0,M1,E1
	R78	RK73HB1J102J	CHIP R	1.0K J 1/16W	1	K0,M1,E1
	R79	RK73HB1J473J	CHIP R	47K J 1/16W	1	K0,M1,E1
	R80	RK73HB1J473J	CHIP R	47K J 1/16W	1	K0,M1,E1
	R81	RK73HB1J470J	CHIP R	47 J 1/16W	1	K0,M1,E1
	R82	RK73HB1J472J	CHIP R	4.7K J 1/16W	1	K0,M1,E1
	R83	RK73HB1J470J	CHIP R	47 J 1/16W	1	K0,M1,E1
	R87	RK73HB1J000J	CHIP R	0.0 J 1/16W	1	K0,M1,E1
	R88	RK73HB1J000J	CHIP R	0.0 J 1/16W	1	K0,M1,E1
	R89	RK73HB1J104J	CHIP R	100K J 1/16W	1	K0,M1,E1
	R90	RK73HB1J104J	CHIP R	100K J 1/16W	1	K0,M1,E1
	R91	RK73GB2A000J	CHIP R	0.0 J 1/10W	1	K0,M1,E1
	R93	RK73HB1J223J	CHIP R	22K J 1/16W	1	K0,M1,E1
	A1	W02-5568-05	ELECTRIC CIRCUIT MODULE		1	K0,M1,E1
	CN1	E41-3376-05	SOCKET FOR PIN ASSY		1	K0,M1,E1

MODEL	MARK	MODEL	MARK	MODEL	MARK	MODEL	MARK
DPX500BT	K0	DPX300U	K1	DPX-U5130BT	M1	DPX-U5130	M2
DPX405BT	E1	DPX305U	E2	DPX-U5130	H1		

Safe	Symbol No.	Parts No.	Parts Name	Description	QTY	Local
	X1	L77-3873-05	CRYSTAL RESONATOR	12.000MHZ	1	K0,M1,E1
<b>CD PLAYER UNIT (X32-6560-00) IN CD MECHA &lt;X32&gt;</b>						
	IC1	JCV8027	IC(MOS-IC)		1	
	IC2	BD8222EFV	IC(ANALOGUE)		1	
	IC4	XC6213B152N-G	IC(ANALOGUE)		1	
	Q1	2SA2188-T1(E)	TRANSISTOR		1	
	C1	CK73HB1A104K	CHIP C	0.10UF 10V K	1	
	C2	CK73FB0J106K	CHIP C	10UF 6.3V K	1	
	C3	CK73HB1A104K	CHIP C	0.10UF 10V K	1	
	C4	CK73HB0J105K	CHIP C	1.0UF 6.3V K	1	
	C5	CC73HCH1H680J	CHIP C	68PF 50V J	1	
	C6	CK73HB1H332K	CHIP C	3300PF 50V K	1	
	C7	CK73HB1H222K	CHIP C	2200PF 50V K	1	
	C8	CK73HB1A104K	CHIP C	0.10UF 10V K	1	
	C9	CK73HB0J105K	CHIP C	1.0UF 6.3V K	1	
	C10	CK73HB1E103K	CHIP C	0.010UF 25V K	1	
	C11	CK73HB1E153K	CHIP C	0.015UF 25V K	1	
	C12	CK73HB1A104K	CHIP C	0.10UF 10V K	1	
	C13	CK73HB1E103K	CHIP C	0.010UF 25V K	1	
	C14	CK73HB1C333K	CHIP C	0.033UF 16V K	1	
	C15	CK73HB1E153K	CHIP C	0.015UF 25V K	1	
	C19	CC73HCH1H470J	CHIP C	47PF 50V J	1	
	C22	CK73HB1A104K	CHIP C	0.10UF 10V K	1	
	C23	CK73HB0J105K	CHIP C	1.0UF 6.3V K	1	
	C24	CK73HB1A104K	CHIP C	0.10UF 10V K	1	
	C25	CK73HB1A104K	CHIP C	0.10UF 10V K	1	
	C26	CK73HB1A104K	CHIP C	0.10UF 10V K	1	
	C27	CK73HB1A104K	CHIP C	0.10UF 10V K	1	
	C28	CK73HB1H222K	CHIP C	2200PF 50V K	1	
	C29	CK73HB1H222K	CHIP C	2200PF 50V K	1	
	C30	CK73EB1A106K	CHIP C	10UF 10V K	1	
	C31	CK73EB1A106K	CHIP C	10UF 10V K	1	
	C37	CK73HB1H472K	CHIP C	4700PF 50V K	1	
	C38	CK73HB1A104K	CHIP C	0.10UF 10V K	1	
	C40	CK73EB0J226K	CHIP C	22UF 6.3V K	1	
	C41	CK73GB0J225K	CHIP C	2.2UF 6.3V K	1	
	C44	CK73HB0J105K	CHIP C	1.0UF 6.3V K	1	
	C51	CK73HB1A104K	CHIP C	0.10UF 10V K	1	
	C52	CC73HCH1H560J	CHIP C	56PF 50V J	1	
	C53	CK73HB1H152K	CHIP C	1500PF 50V K	1	
	C54	CK73HB1H682K	CHIP C	6800PF 50V K	1	
	C55	CK73HB1C333K	CHIP C	0.033UF 16V K	1	
	C56	CK73FB1A225K	CHIP C	2.2UF 10V K	1	
	C57	CK73HB1H332K	CHIP C	3300PF 50V K	1	
	C60	CK73HB1A104K	CHIP C	0.10UF 10V K	1	
	C62	CK73HB1A104K	CHIP C	0.10UF 10V K	1	
	R1	RK73HB1J472J	CHIP R	4.7K J 1/16W	1	
	R2	RK73HB1J104J	CHIP R	100K J 1/16W	1	
	R3	RK73FB2B4R7J	CHIP R	4.7 J 1/8W	1	
	R4	RK73HB1J225J	CHIP R	2.2M J 1/16W	1	
	R5	RK73GB2A000J	CHIP R	0.0 J 1/10W	1	
	R6	RK73HB1J221J	CHIP R	220 J 1/16W	1	
	R7	RK73HB1J000J	CHIP R	0.0 J 1/16W	1	
	R8	RK73HB1J153J	CHIP R	15K J 1/16W	1	
	R9	RK73HB1J334J	CHIP R	330K J 1/16W	1	
	R10	RK73HB1J104J	CHIP R	100K J 1/16W	1	
	R11	RK73HB1J103J	CHIP R	10K J 1/16W	1	
	R12	RK73HB1J103J	CHIP R	10K J 1/16W	1	
	R13	RK73HB1J101J	CHIP R	100 J 1/16W	1	
	R14	RK73HB1J105J	CHIP R	1.0M J 1/16W	1	
	R15	RK73HB1J681J	CHIP R	680 J 1/16W	1	
	R16	RK73HB1J4R7J	CHIP R	4.7 J 1/16W	1	
	R17	RK73HB1J4R7J	CHIP R	4.7 J 1/16W	1	
	R18	RK73HB1J131J	CHIP R	130 J 1/16W	1	
	R23	RK73HB1J000J	CHIP R	0.0 J 1/16W	1	
	R24	RK73HB1J000J	CHIP R	0.0 J 1/16W	1	
	R25	RK73HB1J000J	CHIP R	0.0 J 1/16W	1	
	R26	RK73HB1J000J	CHIP R	0.0 J 1/16W	1	
	R27	RK73HB1J000J	CHIP R	0.0 J 1/16W	1	
	R34	RK73HB1J113J	CHIP R	11K J 1/16W	1	
	R36	RK73HB1J333J	CHIP R	33K J 1/16W	1	
	R38	RK73HB1J273J	CHIP R	27K J 1/16W	1	
	R42	RK73HB1J363J	CHIP R	36K J 1/16W	1	
	R44	RK73HB1J101J	CHIP R	100 J 1/16W	1	
	R45	RK73HB1J101J	CHIP R	100 J 1/16W	1	
	R46	RK73HB1J101J	CHIP R	100 J 1/16W	1	
	R47	RK73HB1J101J	CHIP R	100 J 1/16W	1	
	R48	RK73HB1J101J	CHIP R	100 J 1/16W	1	
	R49	RK73HB1J101J	CHIP R	100 J 1/16W	1	
	R50	RK73HB1J101J	CHIP R	100 J 1/16W	1	
	R51	RK73HB1J101J	CHIP R	100 J 1/16W	1	
	R52	RK73HB1J000J	CHIP R	0.0 J 1/16W	1	
	R60	RK73HB1J202J	CHIP R	2.0K J 1/16W	1	
	R61	RK73HB1J682J	CHIP R	6.8K J 1/16W	1	
	R62	RK73HB1J101J	CHIP R	100 J 1/16W	1	
	R63	RK73HB1J472J	CHIP R	4.7K J 1/16W	1	
	R64	RK73HB1J472J	CHIP R	4.7K J 1/16W	1	
	R65	RK73HB1J101J	CHIP R	100 J 1/16W	1	
	R66	RK73HB1J104J	CHIP R	100K J 1/16W	1	
	R69	RK73HB1J332J	CHIP R	3.3K J 1/16W	1	
	R71	RK73HB1J332J	CHIP R	3.3K J 1/16W	1	

MODEL	MARK	MODEL	MARK	MODEL	MARK	MODEL	MARK
DPX500BT	K0	DPX300U	K1	DPX-U5130BT	M1	DPX-U5130	M2
DPX405BT	E1	DPX305U	E2	DPX-U5130	H1		

Safe	Symbol No.	Parts No.	Parts Name	Description	QTY	Local
	R72	RK73HB1J332J	CHIP R	3.3K J 1/16W	1	
	R76	RK73HB1J331J	CHIP R	330 J 1/16W	1	
	R77	RK73HB1J101J	CHIP R	100 J 1/16W	1	
	R78	RK73HB1J101J	CHIP R	100 J 1/16W	1	
	R79	RK73HB1J000J	CHIP R	0.0 J 1/16W	1	
	R80	RK73HB1J000J	CHIP R	0.0 J 1/16W	1	
	R81	RK73HB1J000J	CHIP R	0.0 J 1/16W	1	
	L2	L92-0330-05	CHIP FERRITE		1	
	L3	L92-0330-05	CHIP FERRITE		1	
	CN1	E41-3423-05	FLAT CABLE CONNECTOR		1	
	CN2	E41-3373-05	FLAT CABLE CONNECTOR		1	
	S1	S68-0931-05	PUSH SWITCH		1	
	S2	S68-0931-05	PUSH SWITCH		1	
	S3	S68-0932-05	PUSH SWITCH		1	
	X1	L78-1246-05	RESONATOR	16.934MHZ	1	