

● **CD Player Service Precautions**

1. For pickup unit(CXX1480) handling, please refer to "Disassembly"(see page 50).
 During replacement, handling precautions shall be taken to prevent an electrostatic discharge(protection by a jumper-solder).

2. During disassembly, be sure to turn the power off since an internal IC might be destroyed when a connector is plugged or unplugged.
 3. Please checking the grating after changing the service pickup unit(see page 44).

1. SAFETY INFORMATION

CAUTION

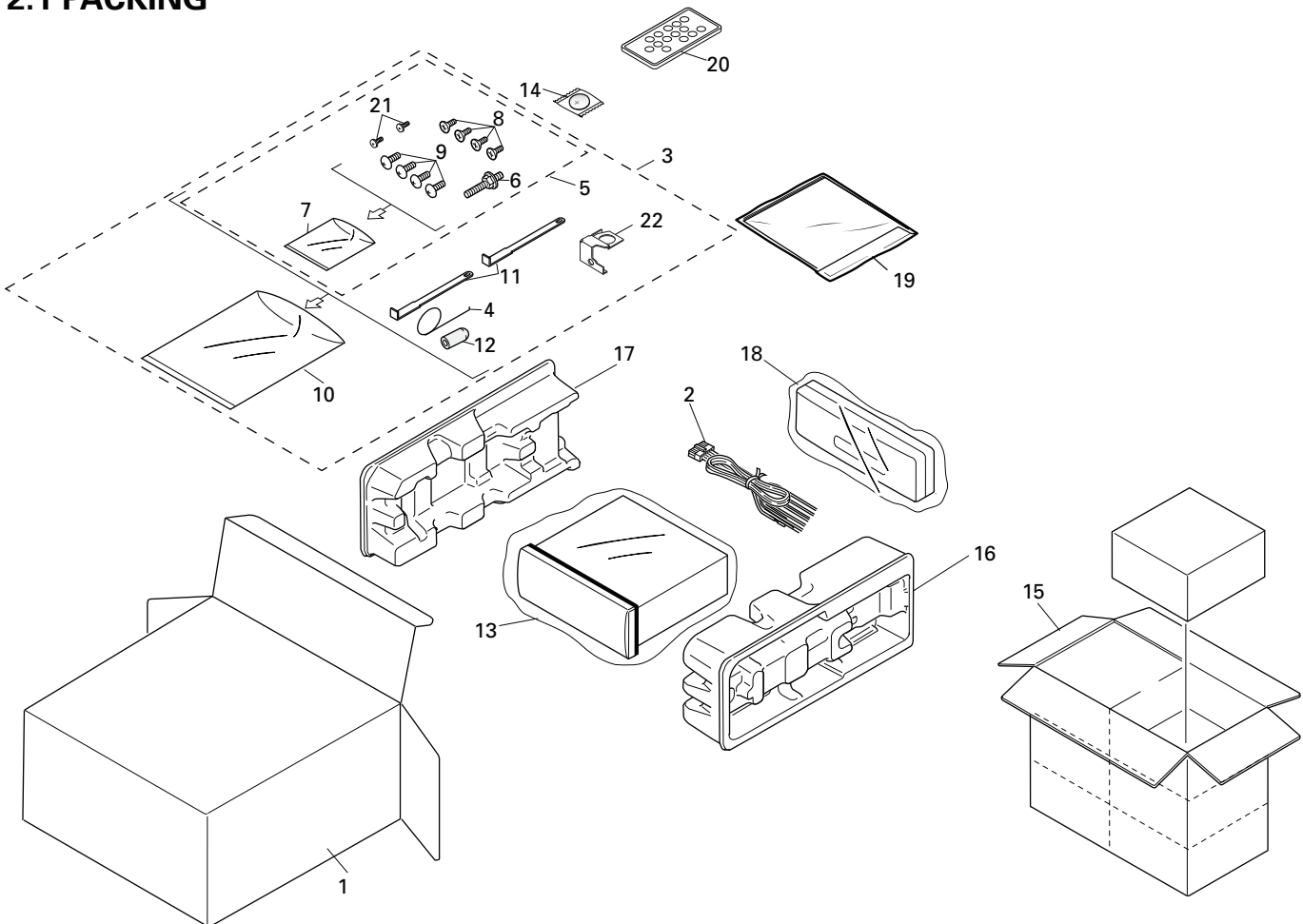
This service manual is intended for qualified service technicians; it is not meant for the casual do-it-yourselfer. Qualified technicians have the necessary test equipment and tools, and have been trained to properly and safely repair complex products such as those covered by this manual. Improperly performed repairs can adversely affect the safety and reliability of the product and may void the warranty. If you are not qualified to perform the repair of this product properly and safely; you should not risk trying to do so and refer the repair to a qualified service technician.

WARNING

This product contains lead in solder and certain electrical parts contain chemicals which are known to the state of California to cause cancer, birth defects or other reproductive harm.
 Health & Safety Code Section 25249.6 - Proposition 65

2. EXPLODED VIEWS AND PARTS LIST

2.1 PACKING



NOTE:

- Parts marked by "*" are generally unavailable because they are not in our Master Spare Parts List.
- Screws adjacent to ∇ mark on the product are used for disassembly.

(1) PACKING SECTION PARTS LIST

Mark No.	Description	Part No.	Mark No.	Description	Part No.
	1 Carton	See Contrast table(2)		16 Protector	CHP2251
	2 Cord Assy	CDE6436		17 Protector	CHP2252
	3 Accessory Assy	CEA2773		18 Case Assy	CXB3520
	4 Spring	CBH1650		19-1 Polyethylene Bag	CEG1116
	5 Screw Assy	CEA2396		19-2 Owner's Manual	See Contrast table(2)
	6 Screw	CBA1002		19-3 Installation Manual	See Contrast table(2)
*	7 Polyethylene Bag	CEG-127	*	19-4 Card	See Contrast table(2)
	8 Screw	CRZ50P090FMC	*	19-5 Caution Card	CRP1207
	9 Screw	TRZ50P080FMC	*	19-6 Warranty Card	See Contrast table(2)
*	10 Polyethylene Bag	CEG-158		20 Remote Control Unit	CXB6797
	11 Handle	CNC5395		21 Screw	BPZ20P060FZK
	12 Bush	CNV3930		22 Earth Plate	CNC9450
	13 Polyethylene Bag	CEG1301			
*	14 Battery	CEX1065			
	15 Contain Box	See Contrast table(2)			

(2) CONTRAST TABLE

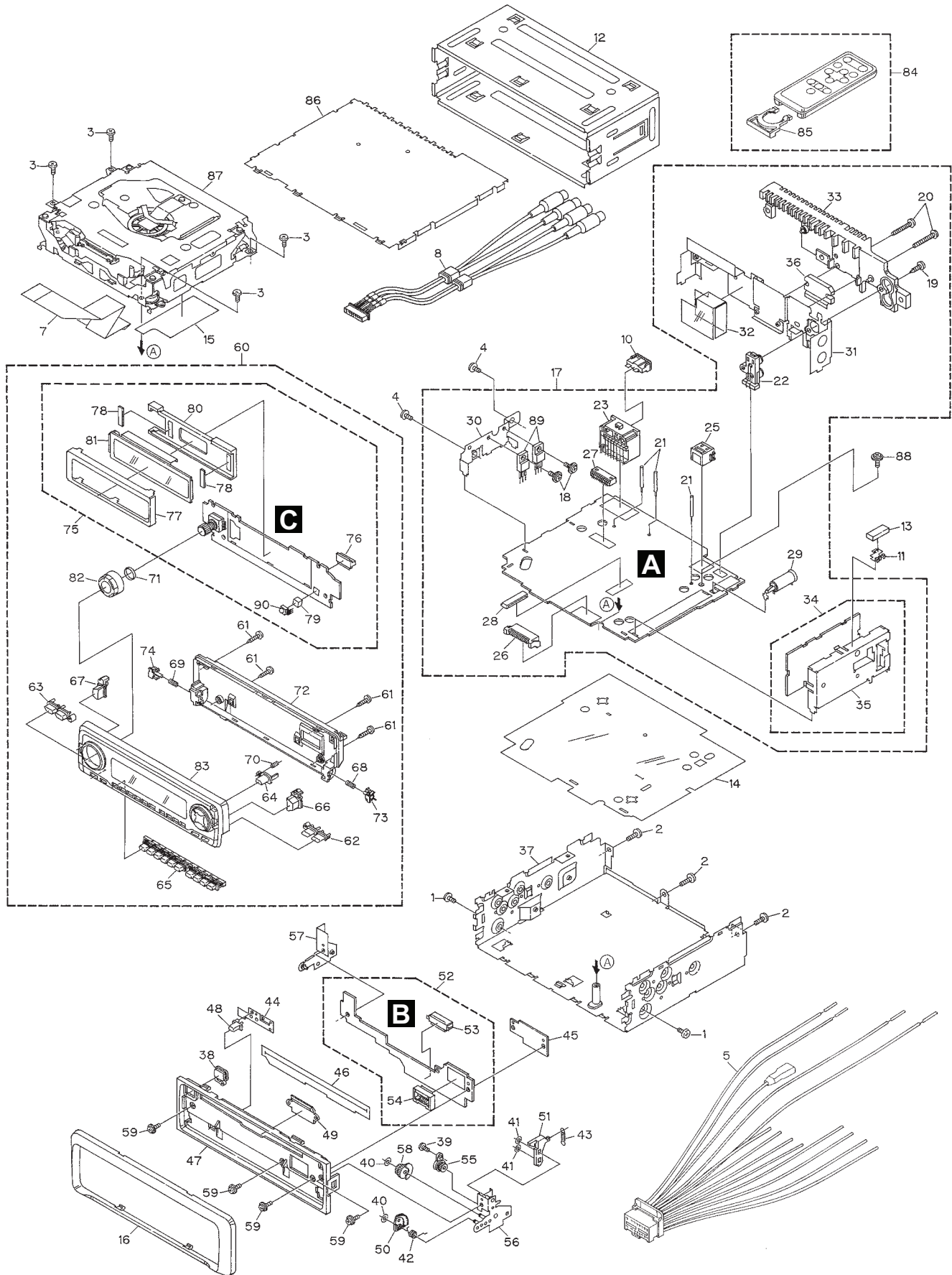
DEH-P630/X1N/UC and DEH-P6300/X1N/UC are constructed the same except for the following:

Mark No.	Symbol and Description	Part No.	
		DEH-P630/X1N/UC	DEH-P6300/X1N/UC
	1 Carton	CHG4330	CHG4329
	15 Contain Box	CHL4330	CHL4329
	19-2 Owner's Manual	CRD3384	CRD3382
	19-3 Installation Manual	CRD3385	CRD3383
*	19-4 Card	Not used	ARY1048
*	19-6 Warranty Card	CRY1070	Not used

● Owner's Manual, Installation Manual

Model	Part No.	Language
DEH-P630/X1N/UC	CRD3384	English, French
	CRD3385	English, French
DEH-P6300/X1N/UC	CRD3382	English, French
	CRD3383	English, French

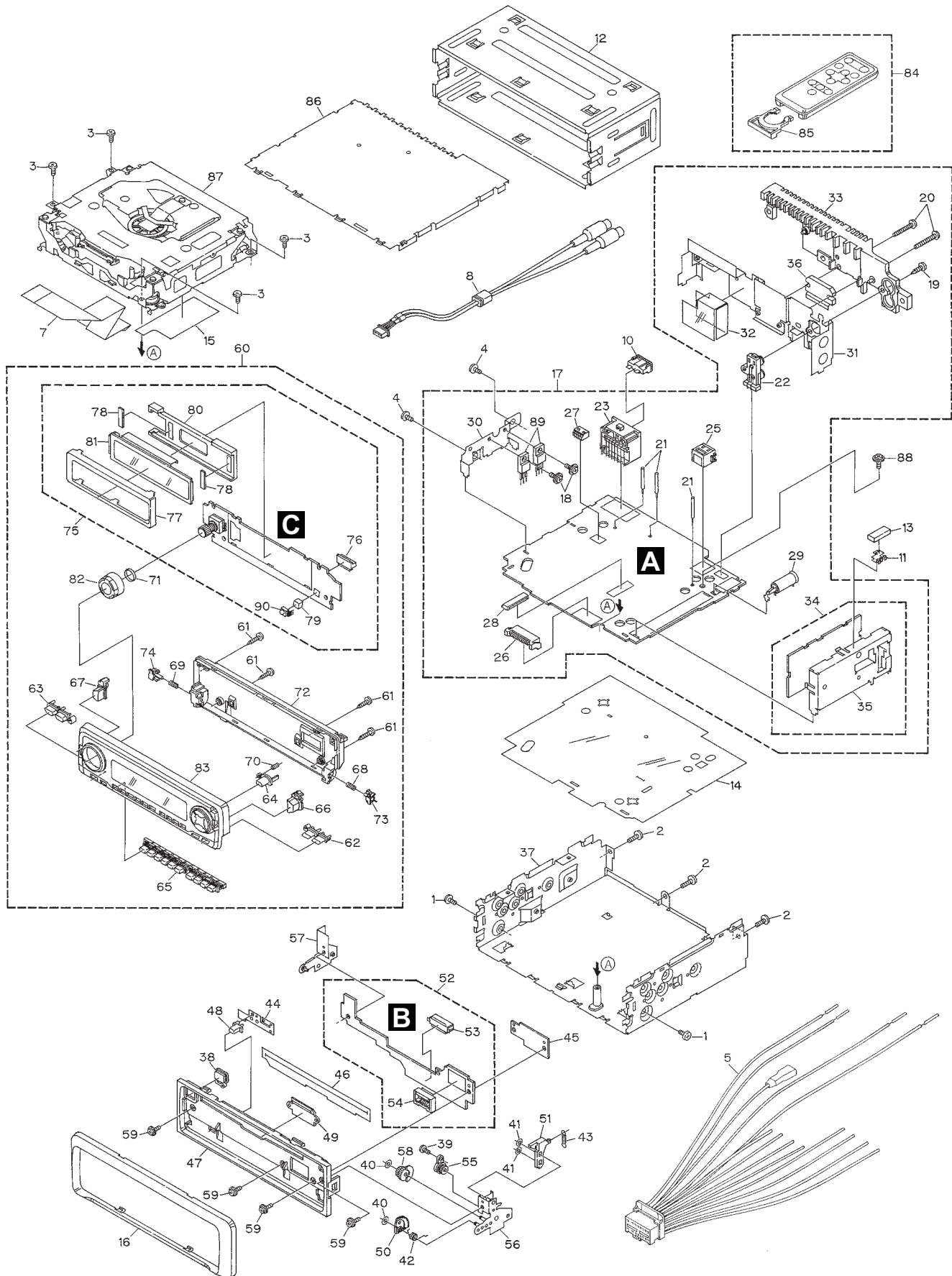
2.2 EXTERIOR(DEH-P630/X1N/UC)



● EXTERIOR SECTION PARTS LIST

Mark No.	Description	Part No.	Mark No.	Description	Part No.
1	Screw	BMZ30P040FZK	51	Arm	CNV6508
2	Screw	BMZ30P100FMC	52	Panel Unit	CWM7375
3	Screw	BSZ26P060FMC	53	Socket(CN1950)	CKS3550
4	Screw	BSZ30P040FMC	54	Connector(CN1951)	CKS4206
5	Cord Assy	CDE6436	55	Damper Unit	CXB5070
6		56	Holder Unit	CXB6356
7	Cable	CDE6451	57	Holder Unit	CXB6357
8	Cord Assy	CDE6453	58	Clutch Unit	CXB6358
9		59	Screw	IMS20P045FZK
10	Fuse(10A)	CEK1136	60	Detach Grille Assy	CXB6538
11	Holder	CNC5704	61	Screw	BPZ20P100FZK
12	Holder	CNC8659	62	Button(FUNC AUDIO)	CAC6776
13	Cushion	CNM4870	63	Button(SOURCE DISP)	CAC6777
14	Insulator	CNM6948	64	Button(OPEN)	CAC6780
15	Insulator	CNM7214	65	Button(1-6)	CAC6841
16	Panel	CNS6552	66	Button(SFEQ)	CAC6842
17	Tuner Amp Unit	CWM7457	67	Button(EQ)	CAC6840
18	Screw	ASZ26P060FMC	68	Spring	CBH2430
19	Screw	BPZ26P120FMC	69	Spring	CBH2431
20	Screw	BSZ26P160FMC	70	Spring	CBH2491
21	Clamper	CEF1007	71	Spring	CBL1470
22	Pin Jack(CN351)	CKB1035	72	Cover	CNS6282
23	Plug(CN901)	CKM1330	73	Holder	CNV6505
24		74	Holder	CNV6506
25	Connector(CN101)	CKS3408	75	Keyboard Unit	CWM7808
26	Plug(CN801)	CKS3537	76	Connector(CN1901)	CKS4524
27	Connector(CN352)	CKS3602	77	Holder	CNC9112
28	Connector(CN653)	CKS3835	78	Cushion	CNM6633
29	Antenna Jack(CN401)	CKX1056	79	Cushion	CNM7469
30	Holder	CNC8615	80	Holder	CNV6105
31	Holder	CNC9469	81	OEL Unit	MXS8016
32	Insulator	CNM6949	82	Knob Unit	CXB7239
33	Heat Sink	CNR1583	83	Sub Grille Assy	CXB7251
34	FM/AM Tuner Unit	CWE1563	84	Remote Control Unit	CXB6797
35	Holder	CNC8815	85	Cover	CNS6439
36	IC(IC301)	PAL006A	86	Case Unit	CXB7482
37	Chassis Unit	CXB6100	87	CD Mechanism Module(S9)	CXK5500
38	Button(EJECT)	CAC6839	88	Screw	ISS26P055FUC
39	Screw(M2x2)	CBA1176	89	Transistor(Q921,998)	2SD2396
40	Washer	CBF1038	90	IC(IC1903)	TSOP1840SB1
41	Washer	CBF1039			
42	Spring	CBH2428			
43	Spring	CBH2429			
44	Spring	CBL1512			
45	Holder	CNC9096			
46	Cover	CNM6854			
47	Panel	CNS6278			
48	Pin	CNV6486			
49	Lighting Conductor	CNV6487			
50	Gear	CNV6507			

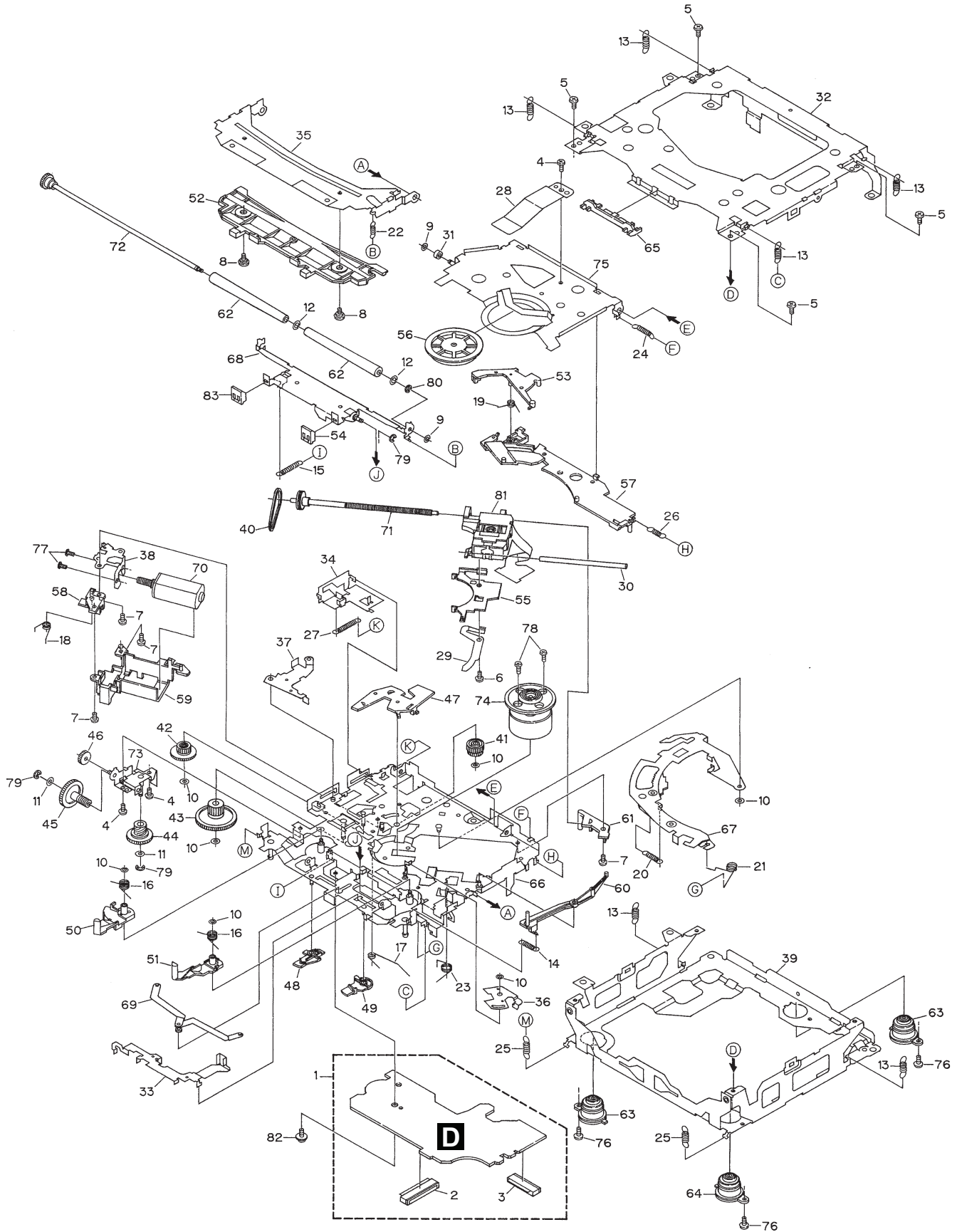
2.3 EXTERIOR(DEH-P6300/X1N/UC)



● EXTERIOR SECTION PARTS LIST

Mark No.	Description	Part No.	Mark No.	Description	Part No.
1	Screw	BMZ30P040FZK	51	Arm	CNV6508
2	Screw	BMZ30P100FMC	52	Panel Unit	CWM7375
3	Screw	BSZ26P060FMC	53	Socket(CN1950)	CKS3550
4	Screw	BSZ30P040FMC	54	Connector(CN1951)	CKS4206
5	Cord Assy	CDE6436	55	Damper Unit	CXB5070
6		56	Holder Unit	CXB6356
7	Cable	CDE6451	57	Holder Unit	CXB6357
8	Cord Assy	CDE6454	58	Clutch Unit	CXB6358
9		59	Screw	IMS20P045FZK
10	Fuse(10A)	CEK1136	60	Detach Grille Assy	CXB6539
11	Holder	CNC5704	61	Screw	BPZ20P100FZK
12	Holder	CNC8659	62	Button(FUNC AUDIO)	CAC6776
13	Cushion	CNM4870	63	Button(SOURCE DISP)	CAC6777
14	Insulator	CNM6948	64	Button(OPEN)	CAC6780
15	Insulator	CNM7214	65	Button(1-6)	CAC6841
16	Panel	CNS6552	66	Button(SFEQ)	CAC6842
17	Tuner Amp Unit	CWM7458	67	Button(EQ)	CAC6840
18	Screw	ASZ26P060FMC	68	Spring	CBH2430
19	Screw	BPZ26P120FMC	69	Spring	CBH2431
20	Screw	BSZ26P160FMC	70	Spring	CBH2491
21	Clamper	CEF1007	71	Spring	CBL1470
22	Pin Jack(CN351)	CKB1035	72	Cover	CNS6282
23	Plug(CN901)	CKM1330	73	Holder	CNV6505
24		74	Holder	CNV6506
25	Connector(CN101)	CKS3408	75	Keyboard Unit	CWM7467
26	Plug(CN801)	CKS3537	76	Connector(CN1901)	CKS4524
27	Connector(CN352)	CKS3598	77	Holder	CNC9112
28	Connector(CN653)	CKS3835	78	Cushion	CNM6633
29	Antenna Jack(CN401)	CKX1056	79	Cushion	CNM7469
30	Holder	CNC8615	80	Holder	CNV6105
31	Holder	CNC9470	81	OEL Unit	MXS8016
32	Insulator	CNM6949	82	Knob Unit	CXB7239
33	Heat Sink	CNR1583	83	Sub Grille Assy	CXB7252
34	FM/AM Tuner Unit	CWE1563	84	Remote Control Unit	CXB6797
35	Holder	CNC8815	85	Cover	CNS6439
36	IC(IC301)	PAL006A	86	Case Unit	CXB7482
37	Chassis Unit	CXB6100	87	CD Mechanism Module(S9)	CXK5500
38	Button(EJECT)	CAC6839	88	Screw	ISS26P055FUC
39	Screw(M2x2)	CBA1176	89	Transistor(Q921,998)	2SD2396
40	Washer	CBF1038	90	IC(IC1903)	TSOP1840SB1
41	Washer	CBF1039			
42	Spring	CBH2428			
43	Spring	CBH2429			
44	Spring	CBL1512			
45	Holder	CNC9096			
46	Cover	CNM6854			
47	Panel	CNS6278			
48	Pin	CNV6486			
49	Lighting Conductor	CNV6487			
50	Gear	CNV6507			

2.4 CD MECHANISM MODULE



● CD MECHANISM MODULE SECTION PARTS LIST

Mark No.	Description	Part No.	Mark No.	Description	Part No.
1	Control Unit	CWX2481	46	Gear	CNV6320
2	Connector(CN701)	CKS1959	47	Arm	CNV6322
3	Connector(CN101)	CKS3486	48	Arm	CNV6323
4	Screw	BMZ20P025FMC	49	Arm	CNV6324
5	Screw	BSZ20P040FMC	50	Arm	CNV6325
6	Screw(M2x4)	CBA1362	51	Arm	CNV6326
7	Screw(M2x3)	CBA1527	52	Guide	CNV6327
8	Screw	CBA1545	53	Arm	CNV6328
9	Washer	CBF1037	54	Guide	CNV6329
10	Washer	CBF1038	55	Rack	CNV6330
11	Washer	CBF1039	56	Clamper	CNV6331
12	Washer	CBF1060	57	Arm	CNV6332
13	Spring	CBH2378	58	Guide	CNV6333
14	Spring	CBH2379	59	Cover	CNV6334
15	Spring	CBH2380	60	Arm	CNV6335
16	Spring	CBH2381	61	Guide	CNV6336
17	Spring	CBH2382	62	Roller	CNV6338
18	Spring	CBH2383	63	Damper	CNV6339
19	Spring	CBH2384	64	Damper	CNV6340
20	Spring	CBH2385	65	Guide	CNV6484
21	Spring	CBH2386	66	Chassis Unit	CXB5898
22	Spring	CBH2387	67	Arm Unit	CXB5899
23	Spring	CBH2390	68	Arm Unit	CXB5900
24	Spring	CBH2391	69	Arm Unit	CXB5901
25	Spring	CBH2392	70	Motor Unit(M2)	CXB5903
26	Spring	CBH2426	71	Screw Unit	CXB5904
27	Spring	CBH2444	72	Gear Unit	CXB5905
28	Spring	CBL1494	73	Bracket Unit	CXB6006
29	Spring	CBL1495	74	Motor Unit(M1)	CXB6007
30	Shaft	CLA3845	75	Arm Unit	CXB6237
31	Roller	CLA3910	76	Screw(M2x5)	EBA1028
32	Frame	CNC8946	77	Screw	JFZ20P020FMC
33	Lever	CNC8948	78	Screw	JGZ17P020FZK
34	Lever	CNC8949	79	Washer	YE15FUC
35	Arm	CNC8951	80	Washer	YE20FUC
36	Arm	CNC9016	81	Pickup Unit(Service)(P9)	CXX1480
37	Arm	CNC9017	82	Screw	IMS26P030FMC
38	Bracket	CNC9123	83	Guide	CNV6832
39	Frame	CNC9263			
40	Belt	CNT1086			
41	Gear	CNV6315			
42	Gear	CNV6316			
43	Gear	CNV6317			
44	Gear	CNV6318			
45	Gear	CNV6319			

====Circuit Symbol and No.====Part Name	Part No.	====Circuit Symbol and No.====Part Name	Part No.
R 249	RS1/16S101J	R 806	RS1/16S271J
R 250	RS1/16S101J	R 807	RS1/16S473J
R 283	RS1/16S223J	R 808	RS1/16S473J
R 301	RS1/16S103J	R 809	RS1/16S102J
R 302	RS1/16S103J	R 810	RS1/16S222J
R 304	RS1/16S331J	R 811	RS1/16S222J
R 351	RS1/16S820J	R 812	RS1/16S222J
R 352	RS1/16S820J	R 813	RS1/16S222J
R 353	RS1/16S820J	R 814	RS1/16S222J
R 354	RS1/16S820J	R 815	RS1/16S473J
R 355	RS1/16S820J	R 816	RS1/16S104J
R 356	RS1/16S820J	R 817	RD1/4PU391J
R 357	RS1/16S223J	R 819	RS1/16S222J
R 358	RS1/16S223J	R 820	RS1/16S222J
R 359	RS1/16S223J	R 851	RS1/16S331J
R 360	RS1/16S223J	R 852	RD1/4PU302J
R 361	RS1/16S223J	R 853	RD1/4PU302J
R 362	RS1/16S223J	R 854	RS1/16S121J
R 363	RS1/16S0R0J	R 855	RS1/16S391J
R 364	RS1/16S0R0J	R 856	RS1/16S1R0J
R 365	RS1/16S0R0J	R 857	RS1/16S331J
R 366	RS1/16S0R0J	R 912	RS1/16S681J
R 367	RS1/16S0R0J	R 913	RS1/16S223J
R 368	RS1/16S0R0J	R 914	RS1/16S681J
R 369	RS1/16S471J	R 922	RD1/4PU221J
R 370	RS1/16S471J	R 923	RS1/16S102J
R 371	RS1/16S471J	R 924	RS1/16S223J
R 372	RS1/16S471J	R 931	RS1/16S472J
R 373	RS1/16S471J	R 932	RS1/16S473J
R 374	RS1/16S471J	R 933	RS1/16S103J
R 401	RS1/16S473J	R 934	RS1/16S473J
R 402	RS1/16S473J	R 935	RS1/16S104J
R 403	RS1/16S681J	R 936	RS1/16S103J
R 404	RS1/16S681J	R 937	RS1/16S473J
R 409	RS1/16S681J	R 938	RD1/4PU102J
R 410	RS1/16S103J	R 939	RD1/4PU102J
R 411	RS1/16S681J	R 962	RS1/16S102J
R 412	RS1/16S681J	R 964	RS1/16S822J
R 413	RS1/16S681J	R 982	RS1/16S473J
R 414	RS1/16S473J	R 983	RS1/16S104J
R 415	RS1/16S472J	R 984	RS1/16S473J
R 416	RS1/16S473J	R 985	RD1/4PU102J
R 417	RS1/16S473J	R 991	RD1/4PU221J
R 418	RS1/16S473J	R 992	RD1/4PU221J
R 419	RS1/16S222J	R 993	RS1/16S472J
R 420	RS1/16S222J	R 994	RS1/16S222J
R 424	RS1/16S393J	R 995	RS1/16S0R0J
R 506	RS1/16S0R0J	R 997	RAB4C102J
R 602	RS1/16S473J		
R 604	RS1/16S473J		
		CAPACITORS	
R 608	RS1/16S104J	C 101	CKSRYB104K16
R 611	RS1/16S102J	C 102	CKSRYB104K16
R 612	RS1/16S102J	C 139	CKSRYB104K16
R 613	RAB4C222J	C 140	CKSRYB104K16
R 614	RS1/16S222J	C 141	CKSRYB104K16
R 615	RS1/16S104J	C 142	CKSRYB104K16
R 616	RS1/16S473J	C 143	CKSRYB474K10
R 618	RS1/16S222J	C 144	CKSRYB474K10
R 619	RS1/16S473J	C 145	CCSRCH101J50
R 620	RS1/16S472J	C 146	CCSRCH101J50
R 621	RS1/16S473J	C 147	CKSRYB103K50
R 622	RS1/16S104J	C 161	CKSRYB183K25
R 623	RS1/16S473J	C 162	CKSRYB183K25
R 624	RS1/16S0R0J	C 171	CEJQ470M10
R 627	RS1/16S104J	C 172	CKSRYB104K16
R 628	RS1/16S104J	C 173	CEJQ100M16
R 633	RS1/16S104J	C 177	CCSRCH100D50
R 641	RS1/16S102J	C 178	CCSRCH100D50
R 801	RS1/16S332J	C 179	CCSRCH100D50
R 805	RS1/16S271J	C 180	CCSRCH100D50

====Circuit Symbol and No.====Part Name	Part No.	====Circuit Symbol and No.====Part Name	Part No.
C 191	CEJQ1R0M50	C 806	CKSRYB473K25
C 192	CEJQ1R0M50	C 812	CKSYB475K16
C 205	CEJQR22M50	C 851	CEJQ470M16
C 206	CEJQR22M50	C 853	CCG1111
C 207	CEJQ1R0M50	C 855	CEJQ100M25
C 208	CEJQ1R0M50	C 856	CCSRCH331J50
C 209	CEJQ1R0M50	C 857	CEJQ330M25
C 210	CEJQ1R0M50	C 858	CKSRYB104K16
C 211	CEJQNP4R7M16	C 859	CEJQ101M10
C 212	CEJQNP4R7M16	C 860	CKSRYB104K16
C 213	CEJQNP4R7M16	C 861	CKSRYB103K25
C 214	CEJQNP4R7M16	C 911	CEAT102M16
C 215	CEJQNP4R7M16	C 912	CKSRYB472K50
C 216	CEJQNP4R7M16	C 913	CKSRYB103K50
C 217	CEJQNP4R7M16	C 914	CEJQ470M10
C 218	CEJQNP4R7M16	C 921	330µF/10V
C 271	CEJQNP1R0M50	C 922	CCH1181
C 272	CEJQNP1R0M50	C 923	CKSRYB103K50
C 273	CEJQNP1R0M50	C 931	CEJQ100M16
C 274	CEJQNP1R0M50	C 963	CEJQ2R2M50
C 275	CEJQNP1R0M50	C 991	CKSRYB473K25
C 276	CEJQNP1R0M50	C 992	CKSRYB102K50
C 277	CEJQ4R7M35	C 993	CEJQ101M10
C 278	CEJQ101M16		
C 279	CEJQ100M16		
C 280	CEJQ100M16		
C 281	CKSRYB105K10		
C 282	CKSYB684K16		
C 283	CASAQ4R7M16		
C 284	CEJQ330M25		
C 285	CEJQ330M25		
C 306	CEJQ330M10		
C 307	CCH1367		
C 309	CKSRYB104K16		
C 310	CEJQ100M16		
C 311	CFTNA105J50		
C 313	CFTNA224J50		
C 314	CFTNA224J50		
C 315	CFTNA224J50		
C 316	CFTNA224J50		
C 351	CEJQ100M35		
C 352	CEJQ100M35		
C 353	CEJQ100M35		
C 354	CEJQ100M35		
C 355	CEJQ100M35		
C 356	CEJQ100M35		
C 357	CKSRYB222K50		
C 358	CKSRYB222K50		
C 359	CKSRYB222K50		
C 360	CKSRYB222K50		
C 361	CKSRYB222K50		
C 362	CKSRYB222K50		
C 403	CKSRYB473K25		
C 404	CEAL101M6R3		
C 405	CKSRYB103K50		
C 406	CEJQ220M10		
C 407	CKSQYB103K50		
C 408	CKSRYB223K25		
C 409	CKSRYB223K25		
C 411	CKSRYB472K50		
C 440	CKSRYB103K25		
C 601	CEJQ4R7M35		
C 602	CKSRYB102K50		
C 604	CCSRCH180J50		
C 605	CCSRCH180J50		
C 653	CKSRYB103K50		
C 755	CKSRYB104K16		
C 801	CKSRYB103K50		
C 802	CEJQ470M10		
C 803	CKSRYB104K16		
C 806			
C 812			
C 851			
C 853	4.7µF/25V		
C 855			
C 856			
C 857			
C 858			
C 859			
C 860			
C 861			
C 911			
C 912			
C 913			
C 914			
C 921	330µF/10V		
C 922			
C 923			
C 931			
C 963			
C 991			
C 992			
C 993			

A Unit Number : CWM7458(DEH-P6300/X1N/UC)
 Unit Name : Tuner Amp Unit

MISCELLANEOUS

IC 101	IC	CA0008AM
IC 132	IC	NJM4558MD
IC 203	IC	PML009A
IC 301	IC	PAL006A
IC 601	IC	PD5615A
IC 851	IC	NJM2360M
IC 961	IC	S-80735ANDZI
Q 101	Transistor	2SA1162
Q 102	Transistor	DTC124EK
Q 301	Transistor	DTC124EK
Q 351	Transistor	IMH3A
Q 353	Transistor	IMH3A
Q 401	Transistor	2SC2412K
Q 801	Transistor	IMD2A
Q 802	Transistor	2SD1760F5
Q 803	Transistor	2SD1859
Q 804	Transistor	IMD2A
Q 805	Transistor	DTC143EK
Q 851	Transistor	2SD1760F5
Q 852	Transistor	IMD2A
Q 911	Transistor	2SD1760F5
Q 913	Transistor	IMD2A
Q 921	Transistor	2SD2396
Q 922	Transistor	IMD2A
Q 931	Transistor	IMX1
Q 932	Transistor	2SC2412K
Q 981	Transistor	2SC2412K
Q 982	Transistor	IMD2A
Q 991	Transistor	IMD2A
Q 998	Transistor	2SD2396
D 131	Diode Network	DA204U
D 132	Diode Network	DA204U
D 133	Diode	DAN202U
D 134	Diode	DAP202U
D 801	Diode	HZS6L(B1)
D 803	Diode Network	DA204U
D 804	Diode	DAN202U
D 805	Diode	DAP202U
D 806	Diode	DAN202U
D 807	Diode	DAP202U

====Circuit Symbol and No.====	Part Name	Part No.
C 914		CEJQ470M10
C 921	330μF/10V	CCH1181
C 922		CKSRYP103K50
C 923		CEJQ100M16
C 931		CEJQ100M16
C 963		CEJQ2R2M50
C 991		CKSRYP473K25
C 992		CKSRYP102K50
C 993		CEJQ101M10

C Unit Number : CWM7808(DEH-P630/X1N/UC)
 Unit Number : CWM7467(DEH-P6300/X1N/UC)
 Unit Name : Keyboard Unit

MISCELLANEOUS

IC 1901	IC	PD5627A
IC 1902	IC (DEH-P630/X1N/UC) IC (DEH-P6300/X1N/UC)	PD8086A PD8074A
IC 1903	IC	TSOP1840SB1
IC 1904	IC	PD5536A
Q 1907	Transistor	2SD1664
Q 1908	Transistor	2SC4617
D 1901	Diode	DAP202U
D 1902	Diode	DAN202U
D 1904	Diode	1SS355
D 1914	LED	CL170UBX
D 1917	Diode	DAN202U
D 1922	LED	CL170PGCD
D 1923	LED	CL170PGCD
D 1924	LED	CL170PGCD
D 1925	LED	CL170PGCD
L 1901	Chip-Inductor	LCTA2R2J3225
L 1904	Chip-Inductor	LCTA2R2J3225
L 1905	Inductor	LCTA220J2520
L 1906	Inductor-Array	CTF1421
L 1907	Inductor-Array	CTF1421
L 1908	Inductor	LCTA220J2520
L 1909	Inductor	CTF1484
L 1910	Inductor	CTF1410
L 1911	Inductor	CTF1410
L 1912	Inductor-Array	CTF1421
TH 1901	Thermistor	CCX1037
X 1901	Ceramic Resonator 15.62MHz	CSS1458
S 1901	Push Switch	CSG1112
S 1903	Push Switch	CSG1111
S 1906	Push Switch	CSG1112
S 1907	Switch	CSG1107
S 1908	Push Switch	CSG1146
S 1909	Switch	CSG1107
S 1910	Switch	CSG1107
S 1911	Switch	CSG1107
S 1912	Switch	CSG1107
S 1913	Switch	CSG1107
S 1914	Switch	CSG1107
S 1915	Switch	CSG1107
S 1916	Switch	CSG1107
S 1917	Push Switch	CSG1112
S 1918	Push Switch	CSG1112
S 1919	Switch	CSG1107
S 1920	Push Switch	CSG1112
S 1922	Push Switch	CSG1112
S 1923	Push Switch	CSG1112
S 1924	Push Switch	CSG1112
S 1930	Encoder	CSD1059
VR 1902	Semi-fixed 20kΩ(B)	CCP1231

OEL Unit

MXS8016

====Circuit Symbol and No.====	Part Name	Part No.
--------------------------------	-----------	----------

RESISTORS

R 1901		RS1/16S154J
R 1902		RS1/16S473J
R 1903		RS1/16S101J
R 1906		RS1/16S102J
R 1907		RS1/16S473J
R 1909		RS1/16S101J
R 1910		RAB4C101J
R 1911		RAB4C101J
R 1912		RAB4C101J
R 1913		RAB4C101J
R 1915		RAB4C101J
R 1918		RAB4C101J
R 1921		RAB4C102J
R 1922		RS1/16S121J
R 1923		RS1/16S2R2J
R 1924		RS1/16S222J
R 1925		RS1/16S222J
R 1928		RS1/16S102J
R 1929		RS1/16S102J
R 1930		RS1/16S222J
R 1931		RS1/16S101J
R 1932		RS1/16S333J
R 1933		RS1/16S683J
R 1934		RS1/16S393J
R 1935		RS1/16S392J
R 1940		RS1/16S0R0J
R 1949		RS1/16S1R0J
R 1960		RS1/16S202J
R 1961		RS1/16S121J
R 1962		RS1/16S121J
R 1963		RS1/16S121J
R 1964		RS1/16S391J
R 1965		RS1/16S121J
R 1966		RS1/16S121J
R 1967		RS1/16S202J
R 1968		RS1/16S391J
R 1969		RS1/16S121J
R 1970		RS1/16S121J
R 1971		RS1/16S121J
R 1972		RS1/16S121J
R 1973		RS1/16S121J
R 1979		RS1/16S0R0J
R 1989		RS1/16S222J
R 1990		RS1/16S822J
R 1991		RAB4C101J
R 1992		RAB4C101J
R 1993		RS1/16S473J
R 1996		RS1/16S101J
R 1997		RS1/16S473J
R 1998		RS1/16S103J
C 1902		CKSRYP103K25
C 1903		CSZSR100M16
C 1904		CSZSR100M16
C 1906		CKSRYP103K25
C 1907		CCSRCH101J50
C 1908		CKSRYP473K16
C 1913		CSZSR100M16
C 1922		CKSRYP104K16
C 1926		CKSRYP104K25
C 1927		CKSRYP104K25
C 1928		CKSRYP104K25
C 1929		CKSRYP104K16
C 1936		CKSRYP104K25
C 1937		CKSRYP104K16
C 1938		CKSRYP104K16

