
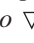
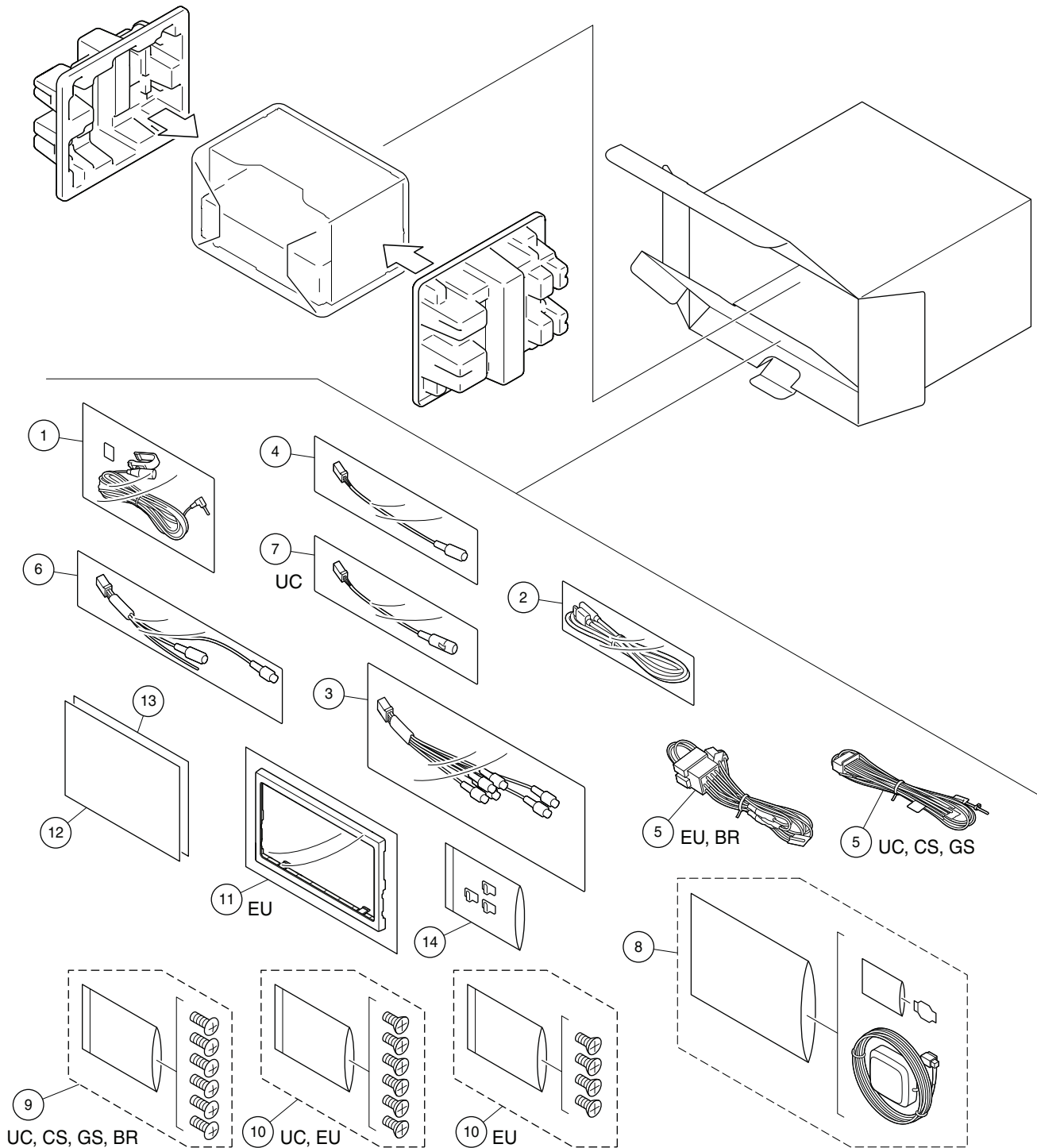


# 9. EXPLODED VIEWS AND PARTS LIST

- NOTES :
- Parts marked by "\*" are generally unavailable because they are not in our Master Spare Parts List.
  - The  mark found on some component parts indicates the importance of the safety factor of the part. Therefore, when replacing, be sure to use parts of identical designation.
  - Screw adjacent to  mark on the product are used for disassembly.
  - For the applying amount of lubricants or glue, follow the instructions in this manual. (In the case of no amount instructions, apply as you think it appropriate.)

## 9.1 PACKING



## PACKING SECTION PARTS LIST

Mark	No.	Description	DMH-W3050NEX/ XNUC	DMH-W3000NEX/ XNUC	DMH-2000NEX/ XNUC	SPH-DA77DAB/ XEEU
	1	Microphone	2401801000072	2401801000072	2401801000072	2401801000072
	2	USB Extended Cable	CDP1587	CDP1587	CDP1587	2420202000092
	3	AV Cable	2420205000266	2420205000266	2420205000266	2420205000267
	4	Aux In Cable	2420203000006	2420203000006	2420203000006	2420203000006
	5	MBL PWS CONN-CORD	CDP1666	CDP1666	CDP1666	2420204000192
	6	SWC/Back Camera Cable	2420210000453	2420210000453	2420210000453	2420210000453
	7	SXM CONN-CORD	2420210000454	2420210000454	2420210000454	Not used
	8	GPS Antenna	2300117000645	2300117000645	2300117000645	2300117000645
	9	Screw	BMZ50P080FTC	BMZ50P080FTC	BMZ50P080FTC	Not used
	10	Screw	CMZ50P080FTC	CMZ50P080FTC	CMZ50P080FTC	CMZ50P080FTC
	11	Din Frame	Not used	Not used	Not used	2410101000523
	12	Quick Start Guide	QSG_DMH2000NEXUC_A	QSG_DMH2000NEXUC_A	QSG_DMH2000NEXUC_A	2530103000034
	13	Installation Manual	INSTM_DMH2000NEXUC_A	INSTM_DMH2000NEXUC_A	INSTM_DMH2000NEXUC_A	2530102000110
	14	Clamper	2440303000058	2440303000058	2440303000058	2440303000058

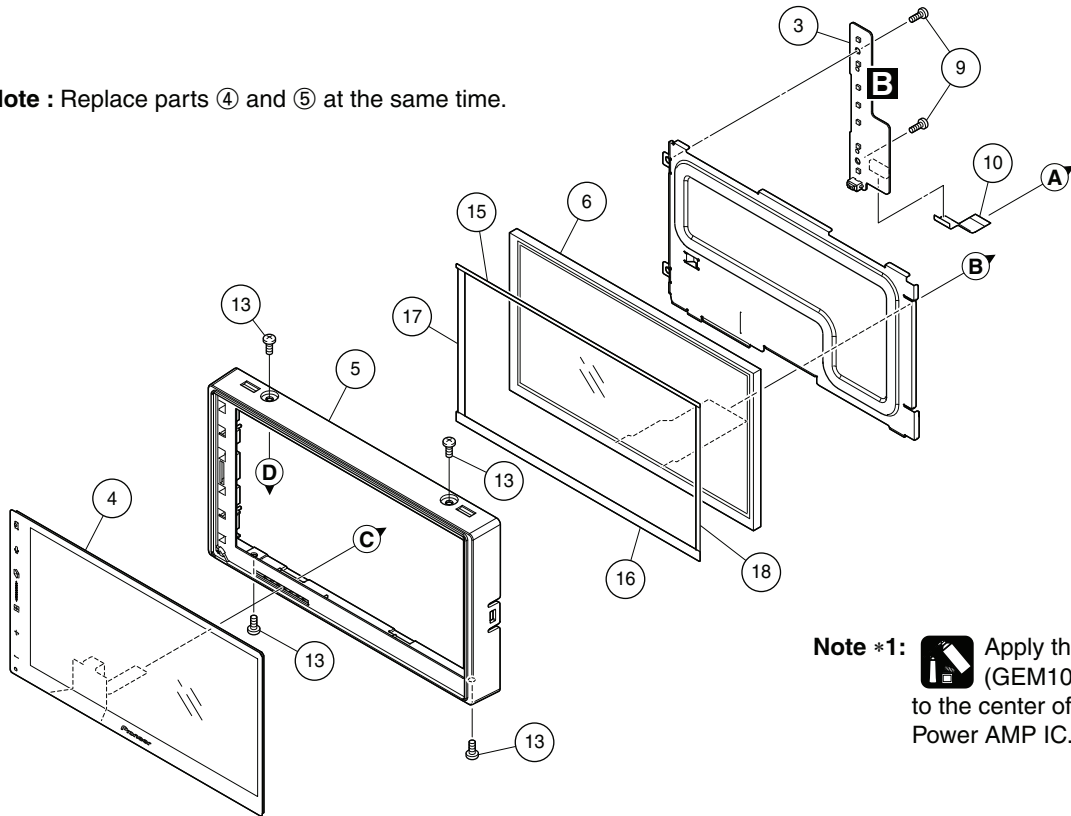
Mark	No.	Description	DMH-A5650BT/ XECS	DMH-A5650BT/ XNGS	DMH-A5650BT/ XEGS	DMH-A5650BT/ XFBR
	1	Microphone	2401801000072	2401801000072	2401801000072	2401801000072
	2	USB Extended Cable	2420202000092	CDP1587	2420202000092	CDP1587
	3	AV Cable	2420210000452	2420210000452	2420210000452	2420210000452
	4	Aux In Cable	2420203000006	2420203000006	2420203000006	2420203000006
	5	MBL PWS CONN-CORD	2420204000191	CDP1666	2420204000191	CDP1901
	6	SWC/Back Camera Cable	2420210000453	2420210000453	2420210000453	2420210000453
	7	SXM CONN-CORD	Not used	Not used	Not used	Not used
	8	GPS Antenna	2300117000645	2300117000645	2300117000645	2300117000645
	9	Screw	BMZ50P080FTC	BMZ50P080FTC	BMZ50P080FTC	BMZ50P080FTC
	10	Screw	Not used	Not used	Not used	Not used
	11	Din Frame	Not used	Not used	Not used	Not used
	12	Quick Start Guide	2530103000036	QSG_DMHA5650BTGS_B	2530103000037	CRB5288
	13	Installation Manual	Not used	Not used	Not used	Not used
	14	Clamper	2440303000058	2440303000058	2440303000058	2440303000058

### Quick Start Guide, Installation Manual

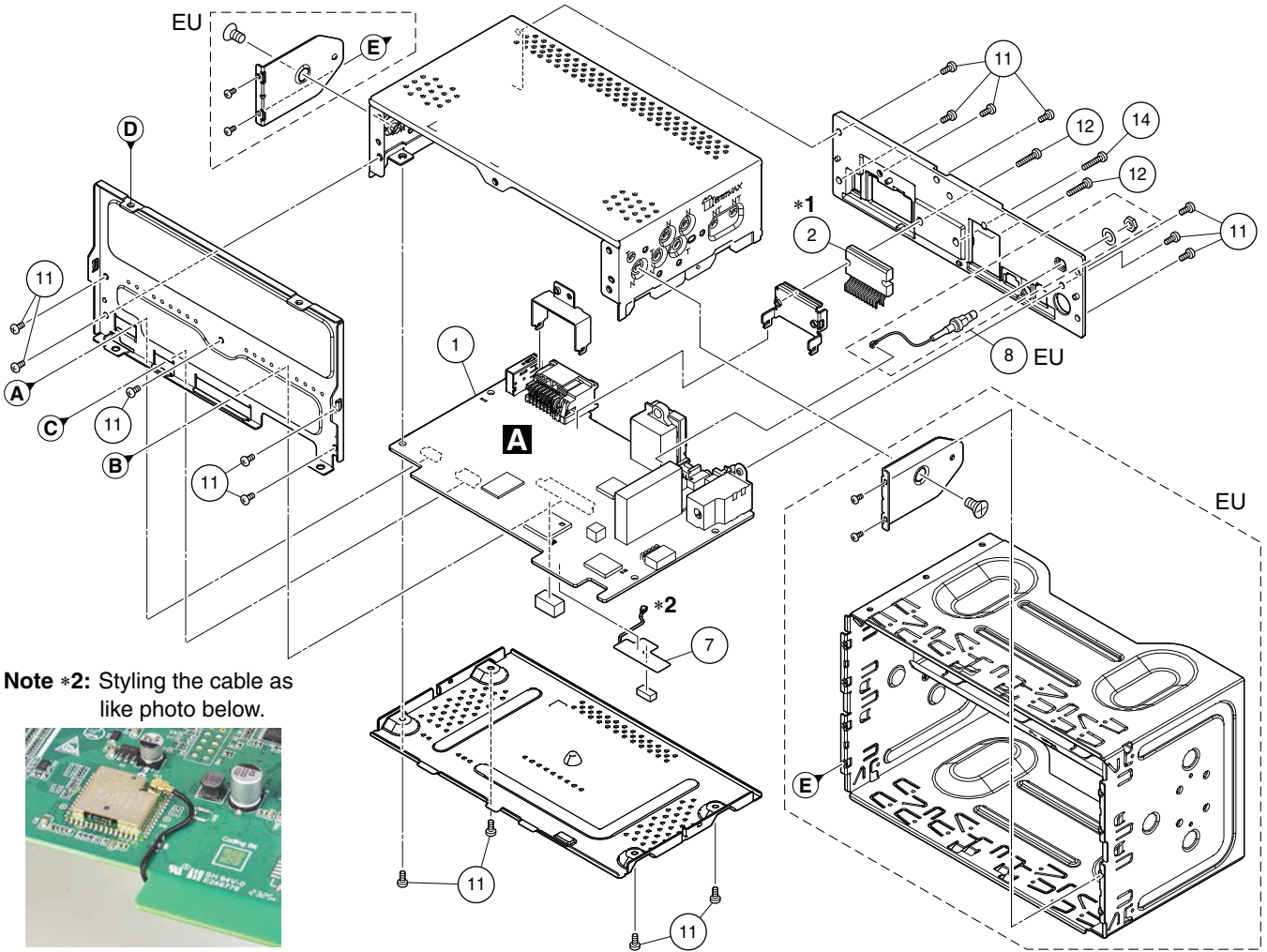
Part No.	Language
QSG_DMH2000NEXUC_A	English, French, Spanish (Español)
2530103000034	English, French, Italian, Spanish (Español), German, Dutch
2530103000036	English, Spanish (Español), Portuguese (B)
QSG_DMHA5650BTGS_B	English, Traditional Chinese, Thai, Indonesian, Arabic, Persian, Russian
2530103000037	English, Traditional Chinese, Thai, Indonesian, Arabic, Persian, Russian
CRB5288	Portuguese (B)
INSTM_DMH2000NEXUC_A	English, French, Spanish (Español)
2530102000110	English, French, Italian, Spanish (Español), German, Dutch

# 9.2 EXTERIOR

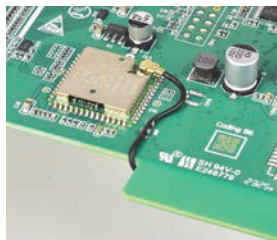
**Note :** Replace parts ④ and ⑤ at the same time.



**Note \*1:**  Apply the grease (GEM1057, 0.3 g) to the center of back of Power AMP IC.



**Note \*2:** Styling the cable as like photo below.



## EXTERIOR SECTION PARTS LIST

Mark	No.	Description	DMH-W3050NEX/ XNUC	DMH-W3000NEX/ XNUC	DMH-2000NEX/ XNUC	SPH-DA77DAB/ XEEU
A	1	Mother Unit	XGA1003	XGA1002	XGA1001	2330201002383 (Service MB ASSY)
	2	Power AMP IC	TCB501HQ	TCB501HQ	TCB501HQ	TCB501HQ
	3	LED Unit	XGA2001	XGA2001	XGA2001	2330101005719 (Service LED PCB ASSY)
	4	Touch Panel	2401602000294	2401602000294	2401602000294	2401602000294
	5	Grille Unit	2410702000240	2410702000240	2410702000240	2410702000235
	6	TFT LCD	2401601000197	2401601000197	2401601000197	2401601000197
	7	WiFi Antenna	2300201000195	2300201000195	Not used	2300201000195
	8	DAB Antenna	Not used	Not used	Not used	2420211000013
	9	Screw	BPZ26P080FTC	BPZ26P080FTC	BPZ26P080FTC	BPZ26P080FTC
	10	FFC	2420101000205	2420101000205	2420101000205	2420101000205
	11	Screw	BMZ26P060FTC	BMZ26P060FTC	BMZ26P060FTC	BMZ26P060FTC
	12	Screw	BMZ26P120FTC	BMZ26P120FTC	BMZ26P120FTC	BMZ26P120FTC
	13	Screw	BMZ26P060FTB	BMZ26P060FTB	BMZ26P060FTB	2490304000143
	14	Screw	2490304000136	2490304000136	2490304000136	2490304000136
	15	Upper Eva Pad	2550201000093	2550201000093	2550201000093	2550201000093
	16	Lower Eva Pad	2550201000094	2550201000094	2550201000094	2550201000094
	17	Left Eva Pad	2550201000095	2550201000095	2550201000095	2550201000095
	18	Right Eva Pad	2550201000096	2550201000096	2550201000096	2550201000096

C

Mark	No.	Description	DMH-A5650BT/ XECS	DMH-A5650BT/ XNGS	DMH-A5650BT/ XEGS	DMH-A5650BT/ XFBR
D	1	Mother Unit	2330201002412 (Service MB ASSY)	XGA1004	2330201002412 (Service MB ASSY)	CWF5919 (MB Unit)
	2	Power AMP IC	TCB501HQ	TCB501HQ	TCB501HQ	TCB501HQ
	3	LED Unit	2330101005719 (Service LED PCB ASSY)	XGA2001	2330101005719 (Service LED PCB ASSY)	CWF5920 (LED PCB Unit)
	4	Touch Panel	2401602000294	2401602000294	2401602000294	2401602000294
	5	Grille Unit	2410702000235	2410702000240	2410702000235	2410702000235
	6	TFT LCD	2401601000197	2401601000197	2401601000197	2401601000197
	7	WiFi Antenna	2300201000195	2300201000195	2300201000195	2300201000195
	8	DAB Antenna	Not used	Not used	Not used	Not used
	9	Screw	BPZ26P080FTC	BPZ26P080FTC	BPZ26P080FTC	2490304000014
	10	FFC	2420101000205	2420101000205	2420101000205	2420101000205
	11	Screw	BMZ26P060FTC	BMZ26P060FTC	BMZ26P060FTC	2490304000013
	12	Screw	BMZ26P120FTC	BMZ26P120FTC	BMZ26P120FTC	2490304000129
	13	Screw	2490304000143	BMZ26P060FTB	2490304000143	2490304000143
	14	Screw	2490304000136	2490304000136	2490304000136	2490304000151
	15	Upper Eva Pad	2550201000093	2550201000093	2550201000093	2550201000093
	16	Lower Eva Pad	2550201000094	2550201000094	2550201000094	2550201000094
	17	Left Eva Pad	2550201000095	2550201000095	2550201000095	2550201000095
	18	Right Eva Pad	2550201000096	2550201000096	2550201000096	2550201000096

E

F