

| MODEL | Symbol No. | Parts No. | Description |
|-------|-------------------------|-------------|----------------------|
| #1 | 1 | EN-16317Z01 | NOSE,PIECE ASSY |
| \$1 | 1 | EN-16317Z04 | NOSE,PIECE ASSY |
| %1 | 1 | EN-16317Z04 | NOSE,PIECE ASSY |
| | 2 | ----- | COVER, TOP |
| | 3 | ----- | CHAS,RIV BASE |
| | 6 | 15-16144Z01 | COVER,OELD |
| | 7 | 14-02420Z02 | INS,OELD |
| | 9 | 03S60823Y33 | SCR,P-T 2X4 ZN A |
| | 12 | ----- | BKT,CHAS REAR |
| | 13 | 03S60825Y04 | SCR,B-T 3X8 ZN A |
| | 15 | 03S60822Y43 | SCR,S-T 2X3 ZN A |
| | 18 | DP-12685Z01 | DP33U8BV |
| | 19 | 03-02876Z02 | SCR,WEV 1.7X10 ZB A |
| | 20 | 13-16312Z01 | NOSE,BOTTOM |
| | 21 | 36-16314Z01 | KNOB,ROTARY ASSY |
| | 23 | 13-16315Z01 | NOSE,BASE ASSY |
| | 25 | 33-11449Z01 | FACE,PLATE |
| | 26 | ----- | HEAT,SINK |
| | 29 | 03S60822Y13 | SCR,S-T 2.6X6 ZN A |
| | 31 | 84-09115Z02 | FPC,SERVO DP-U GOLD |
| | 33 | 14-07028Z02 | INSULATOR,DP-U |
| | 34 | 03S60822Y22 | SCR,S-T 2.6X14 ZN A |
| | 35 | 41-05515Z01 | SPRING,OPEN |
| #1 | 37 | SU-17669Z01 | SERVICE_NOSE_117 |
| \$1 | 37 | SU-17671Z01 | SERVICE_NOSE_117E |
| %1 | 37 | SU-17681Z01 | SERVICE_NOSE_117EC |
| | 38 | 36-16939Z01 | KNOB,SLIDE |
| | 47 | 15-16142Z01 | TUNER,SHIELD(L) |
| | 48 | 15-16143Z01 | TUNER,SHIELD(R) |
| | 49 | 75-14555Z09 | FEATHER 3.0 10X10 |
| | 50 | 75-14555Z10 | FEATHER 2.5 07X07 |
| | ANT6100 | 09-17241Z01 | ASSY,ANID-0116-01A |
| | CB9001 | 09-04216Z01 | BTB,DH16-P -B |
| | CH9600 | 09-04217Z01 | BTB,DH16-S -B |
| | DIN8001 | 09T55071W11 | CON,TCP9389-11 -DT |
| | ET5500 | 09-14560Z03 | ASSY,ANID-0094-03A |
| | ET8600 | 09-11953Z04 | ASSY,YAF11-1281N |
| | JK2800 | 09-11352Z01 | RCA,YKC21-4816N -DB |
| | JK5100 | 09T03156K01 | JAC,CK-3.5-14 -DB |
| | M8001 | 59-06122Z01 | MOTOR,D02X-12TS4(EX) |

Mark Model Code

#1 CDA-117 Only,

\$1 CDA-117E(General Foreign) Only,

%1 CDA-117E(Chinese) Only,

Others:Common.

NOTE:The part that has not PART NUMBER will not be supplied.

| MODEL | Symbol No. | Parts No. | Description |
|-------|--------------------------|-------------|----------------------|
| | OELD9002 | 65-16215Z01 | ASSY,UEL348 |
| | SW5001 | 40T16096W03 | SW ,TACT SKHHLW |
| | SW9021 | 40-10735Z02 | ENC,EC12D1524405 -DB |
| | SW9601 | 40-03466Z01 | SW,DETCT SPVM1101-E5 |
| | VT8001 | 24-02502Z02 | ASSY,W277A001 -DB |

Mark Model Code

#1 CDA-117 Only,

\$1 CDA-117E(General Foreign) Only,

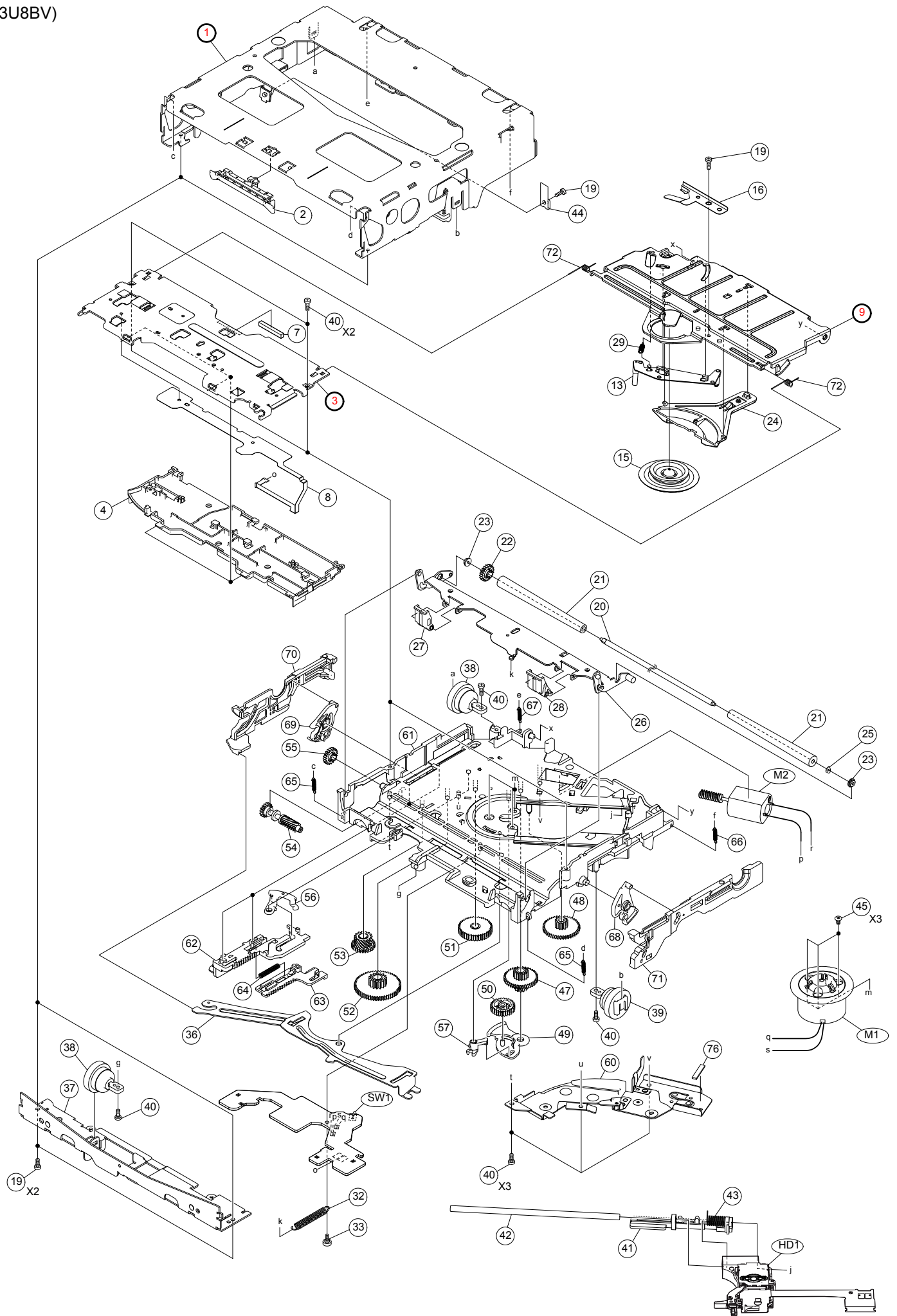
%1 CDA-117E(Chinese) Only,

Others:Common.

NOTE:The part that has not PART NUMBER will not be supplied.

Exploded View (CD Deck Mechanism)

(DP33U8BV)



| MODEL | Symbol No. | Parts No. | Description |
|-------|--------------------|-------------|------------------------|
| | 1 | ----- | CHAS,BASE DP-U |
| | 2 | 15-08614Z01 | GUIDE, TOP 2 DP-U |
| | 3 | ----- | CHAS, TOP 8LS |
| | 4 | 15-10062Z05 | GUIDE, TOP 8LS |
| | 7 | 14-06145Z26 | INS, CVR 12X2.7XT2 |
| | 8 | 84-14334Z01 | FPC, PHOTO VE |
| | 9 | ----- | ARM, CLAPM 8LS |
| | 13 | 45-10065Z04 | LEVER, ACTUATOR 8LS |
| | 15 | 43-08616Z04 | TABLE, CLAMPER DP-U |
| | 16 | 41-14419Z01 | SPG, CLAMPER VE-2 |
| | 19 | 03S60822Y43 | SCR, S-T 2X3 ZN A |
| | 20 | 47-04894Z02 | SHAFT, ROLLER DP-U |
| | 21 | 49-07008Z02 | ROLLER, DP-U |
| | 22 | 44-08626Z01 | GEAR, ROLLER |
| | 23 | 43-08617Z01 | BUSH, ROLLER DP-U |
| | 24 | 15-10063Z04 | GUARD, DISC |
| | 25 | 04S40075G88 | WAS, LOC 1.7X4.5X0.25 |
| | 26 | 45-10061Z04 | ARM, DISC GUIDE 8LS |
| | 27 | 45-08642Z01 | ARM, FENCE L |
| | 28 | 45-08643Z01 | ARM, FENCE R |
| | 29 | 41-05867Z14 | SPRING, ACTUATOR-2 |
| | 32 | 41-05867Z11 | SPRING, ROLLER AOTA 2 |
| | 33 | 03-10564Z01 | SCR, SPG. ROLLER AOTA2 |
| | 36 | 45-12698Z01 | LEVER, LINK DRIVE 2 |
| | 37 | 07-04867Z02 | BKT, DAMPER |
| | 38 | 75-13914Z01 | DAMPER, DP-U VE Z01 |
| | 39 | 75-13914Z02 | DAMPER, DP-U VE Z02 |
| | 40 | 03S70693Y06 | SCR, P-T 2X6 ZB A |
| | 41 | 44-08628Z01 | RACK, SLED |
| | 42 | 47-04895Z01 | SHAFT, PICK DP-U |
| | 43 | 41-05866Z02 | SPRING, SLED |
| | 44 | 41-09325Z01 | SPRING, RATTLE L |
| | 45 | 03S60820Y72 | SCR, MCH 1.7X3 ZN A |
| | 47 | 44-08618Z04 | GEAR, A |
| | 48 | 44-08619Z01 | GEAR, B |
| | 49 | 45-08631Z01 | LEVER, TIMING GEAR |
| | 50 | 44-08620Z01 | GEAR, C |
| | 51 | 44-08621Z01 | GEAR, D |
| | 52 | 44-08622Z04 | GEAR, E |

Mark Model Code

#1 CDA-117 Only,

\$1 CDA-117E(General Foreign) Only,

%1 CDA-117E(Chinese) Only,

Others:Common.

NOTE:The part that has not PART NUMBER will not be supplied.

| MODEL | Symbol No. | Parts No. | Description |
|-------|---------------------|-------------|---------------------------|
| | 53 | 44-08623Z04 | GEAR,F |
| | 54 | 44-08624Z01 | GEAR,G |
| | 55 | 44-09654Z01 | GEAR,H-2 |
| | 56 | 45-08632Z01 | LEVER,LOCK DP-U |
| | 57 | 45-08630Z01 | LEVER,TIMING PICK |
| | 60 | 07-05523Z02 | ASSY,RIV COVER MTR |
| | 61 | 27-14801Z01 | CHAS,PICK 8LS 2 |
| | 62 | 45-15742Z01 | SLIDER,LOAD 2 |
| | 63 | 45-15743Z01 | SLIDER,TIMING LOAD 2 |
| | 64 | 41-05874Z02 | SPRING,TIMING |
| | 65 | 41-05867Z02 | SPRING,DRIVE F |
| | 66 | 41-05867Z13 | SPRING,DRIVE RR-2 |
| | 67 | 41-05867Z04 | SPRING,DRIVE RL |
| | 68 | 45-08639Z04 | ARM,LOCK R DP-U |
| | 69 | 45-15741Z01 | ARM,LOCK L 2 |
| | 70 | 45-10066Z04 | SLIDER,LOCK L 8LS |
| | 71 | 45-10067Z04 | SLIDER,LOCK R 8LS |
| | 72 | 41-05871Z02 | SPRING,ARM CLAMP |
| | 76 | 14-06145Z92 | INS,CVR 12X3XT1 |
| | HD1 | EP-12502Z02 | EP21A96N |
| | M1 | 66-09123Z07 | ASSY,SPDL MTR AOTA |
| | M2 | 66-13908Z44 | ASSY,LD-SLED MTR AOTA 8BV |
| | SW1 | 40T15494Y16 | SW,DETCT SPVG1103-E6 |

Mark Model Code

#1 CDA-117 Only,

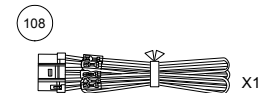
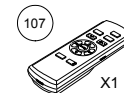
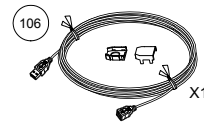
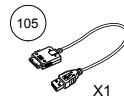
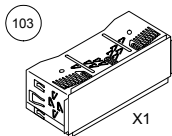
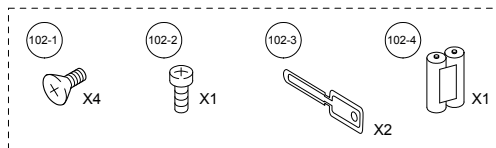
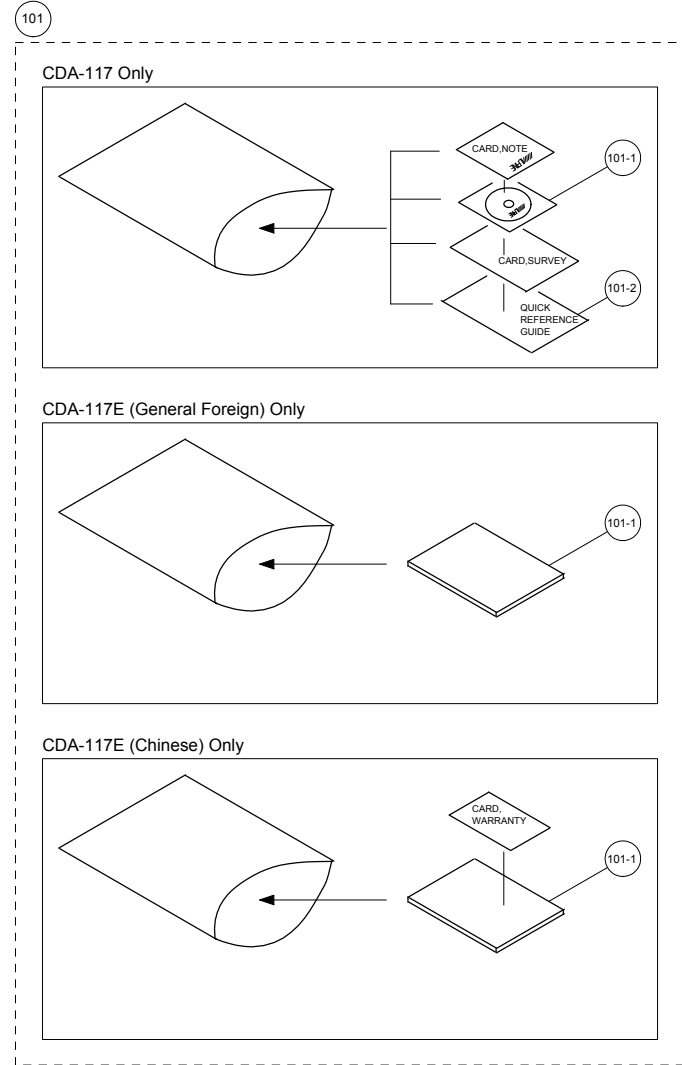
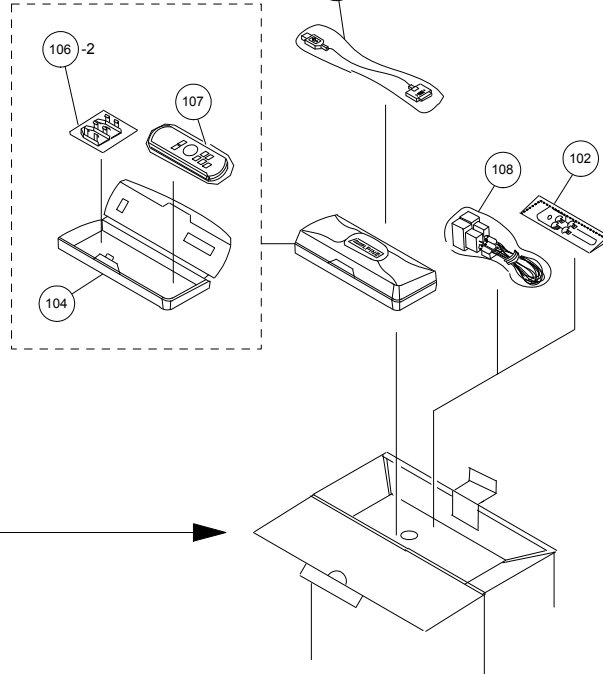
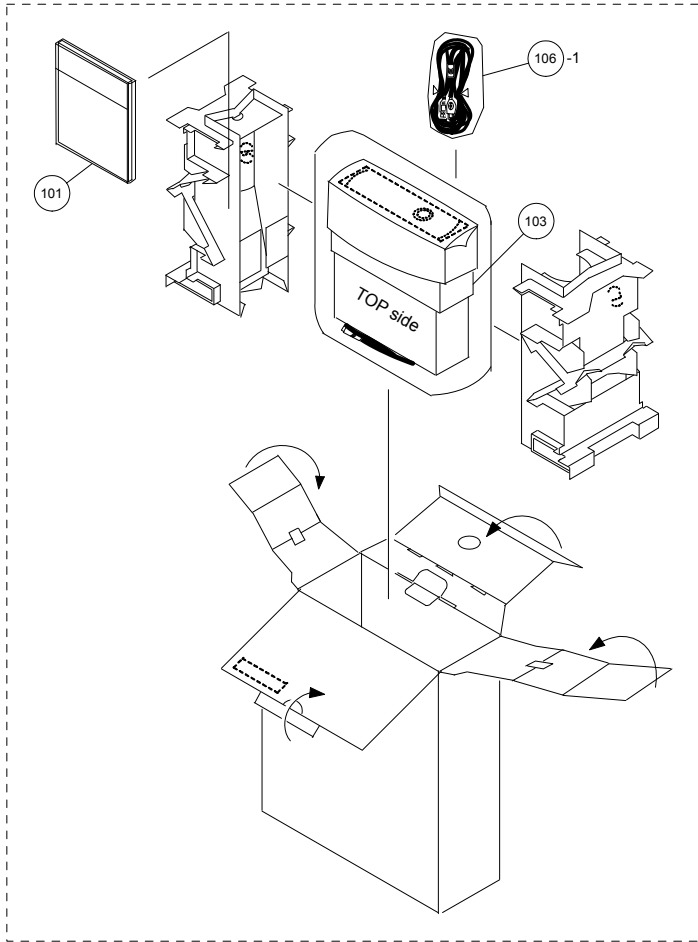
\$1 CDA-117E(General Foreign) Only,

%1 CDA-117E(Chinese) Only,

Others:Common.

NOTE:The part that has not PART NUMBER will not be supplied.

Packing Method View



| MODEL | Symbol No. | Parts No. | Description |
|-------|-----------------------|-------------|---------------------|
| #1 | 101-1 | 68-10334Z23 | O/M-CDROM FLAT |
| \$1 | 101-1 | 68-14470Z54 | O/M AAO AOTA |
| %1 | 101-1 | 68-14470Z55 | O/M AOCH AOTA |
| #1 | 101-2 | 68-14470Z68 | C/N-QRG AOAM AOTA |
| | 102-1 | 03S60820Y16 | SCR,MCH 5X8 ZN A |
| | 102-2 | 03S70691Y11 | SCR,B-T 1.7X8 ZB A |
| | 102-3 | 07-01964Z01 | BKT,RELEASE |
| | 102-4 | 60T55630W01 | BAT,MGN R03(NB)UM-4 |
| | 103 | 15-01970Z01 | CASE,INNER |
| | 104 | 15-11587Z01 | CARRING,CASE |
| | 105 | 09-14676Z03 | ASSY,ATFD-0777-03A |
| | 106 | 09-11953Z03 | ASSY,YAF11-1253P |
| | 107 | 97-02291Z01 | ASSY,SBPF00001A |
| | 108 | 09-17244Z01 | ASSY,ANIC-0050-01A |

Mark Model Code

#1 CDA-117 Only,

\$1 CDA-117E(General Foreign) Only,

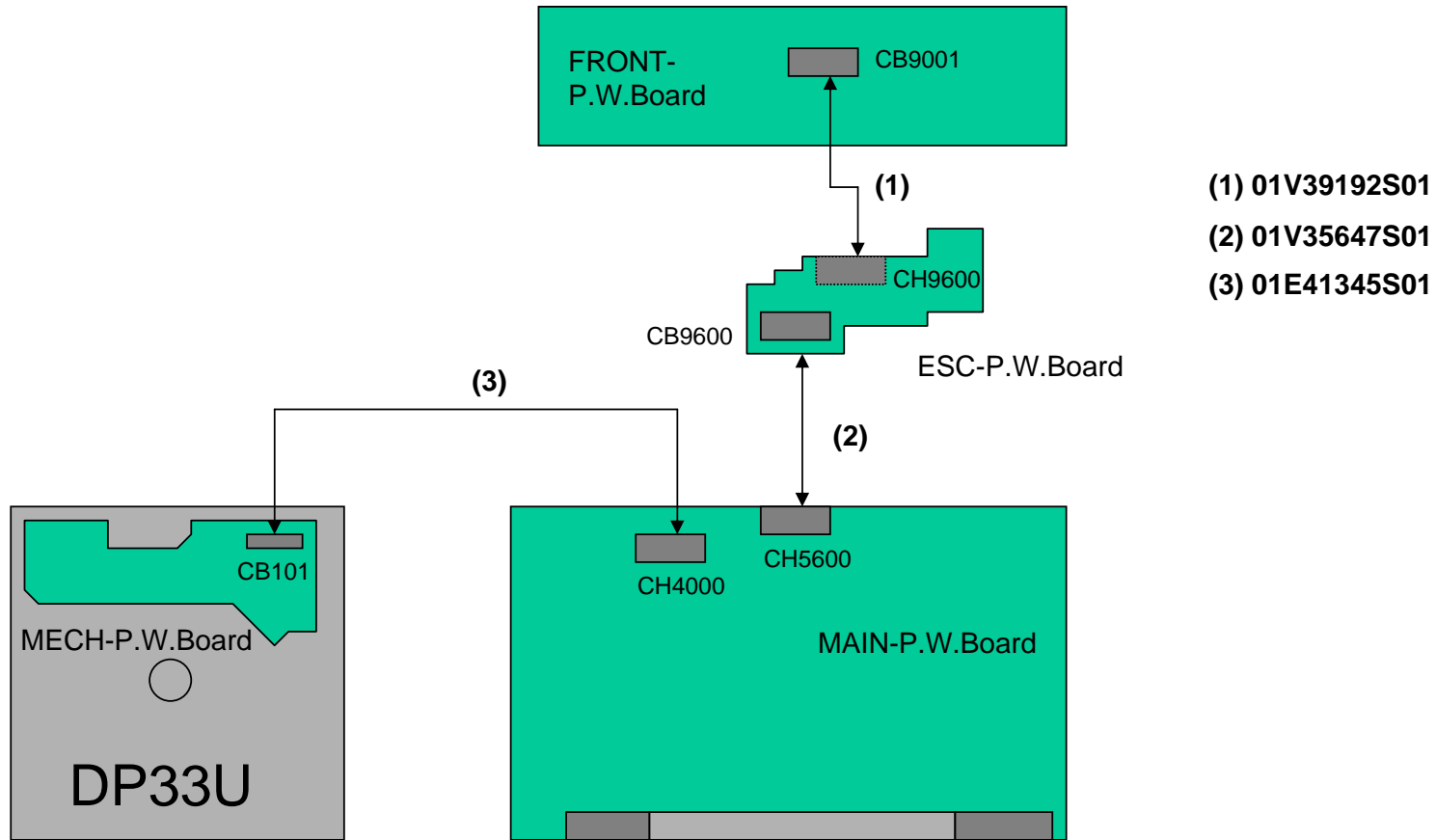
%1 CDA-117E(Chinese) Only,

Others:Common.

NOTE:The part that has not PART NUMBER will not be supplied.

Extension Cable

*Always connect the Extension Cable when making checks of voltage and repair.



| P.W.Board | MIS | MODEL | Ref. | Parts No. | Parts Name |
|----------------|-----|-------|-------------------------|-------------|----------------------|
| MAIN-P.W.Board | | | ANT6100 | 09-17241Z01 | ASSY,ANID-0116-01A |
| MAIN-P.W.Board | | | BZ8001 | 50T15447Y02 | BUZZER,PKM13EPY -R5 |
| MAIN-P.W.Board | | | C2101 | 08S45676W74 | CAP,CER 123K-B1H -CP |
| MAIN-P.W.Board | | | C2102 | 08S45676W85 | CAP,CER 104K-B1C -CP |
| MAIN-P.W.Board | | | C2103 | 08S45676W85 | CAP,CER 104K-B1C -CP |
| MAIN-P.W.Board | | | C2300 | 08S45677W12 | CAP,CER.10RD-CH1H-CP |
| MAIN-P.W.Board | | | C2301 | 08S45677W12 | CAP,CER.10RD-CH1H-CP |
| MAIN-P.W.Board | | | C2302 | 08S45677W12 | CAP,CER.10RD-CH1H-CP |
| MAIN-P.W.Board | | | C2303 | 08S45677W12 | CAP,CER.10RD-CH1H-CP |
| MAIN-P.W.Board | | | C2304 | 08S45677W12 | CAP,CER.10RD-CH1H-CP |
| MAIN-P.W.Board | | | C2305 | 08S45677W12 | CAP,CER.10RD-CH1H-CP |
| MAIN-P.W.Board | | | C2306 | 08T65463Y01 | CAP,CER 335K-B1A -CP |
| MAIN-P.W.Board | | | C2307 | 08T65463Y01 | CAP,CER 335K-B1A -CP |
| MAIN-P.W.Board | | | C2308 | 08T65463Y01 | CAP,CER 335K-B1A -CP |
| MAIN-P.W.Board | | | C2309 | 08T65463Y01 | CAP,CER 335K-B1A -CP |
| MAIN-P.W.Board | | | C2400 | 08S35374W12 | CAP,CER 106K-B0J -CP |
| MAIN-P.W.Board | | | C2401 | 08S35374W12 | CAP,CER 106K-B0J -CP |
| MAIN-P.W.Board | | | C2402 | 08S35374W12 | CAP,CER 106K-B0J -CP |
| MAIN-P.W.Board | | | C2403 | 08S45676W65 | CAP,CER.222K-B1H -CP |
| MAIN-P.W.Board | | | C2404 | 08S45676W63 | CAP,CER 152K-B1H -CP |
| MAIN-P.W.Board | | | C2405 | 08S45676W63 | CAP,CER 152K-B1H -CP |
| MAIN-P.W.Board | | | C2600 | 08S65676Y05 | CAP,CER 105KX7R1E-CP |
| MAIN-P.W.Board | | | C2601 | 08S65671Y01 | CAP,CER 226KX5R1A-CP |
| MAIN-P.W.Board | | | C2602 | 08S65676Y05 | CAP,CER 105KX7R1E-CP |
| MAIN-P.W.Board | | | C2603 | 08S65671Y01 | CAP,CER 226KX5R1A-CP |
| MAIN-P.W.Board | | | C2604 | 08S65671Y01 | CAP,CER 226KX5R1A-CP |
| MAIN-P.W.Board | | | C2605 | 08S45677W48 | CAP,CER.331J-CH1H-CP |
| MAIN-P.W.Board | | | C2606 | 08S45677W48 | CAP,CER.331J-CH1H-CP |
| MAIN-P.W.Board | | | C2607 | 08S45677W48 | CAP,CER.331J-CH1H-CP |
| MAIN-P.W.Board | | | C2608 | 08S45677W48 | CAP,CER.331J-CH1H-CP |
| MAIN-P.W.Board | | | C2609 | 08S45677W48 | CAP,CER.331J-CH1H-CP |
| MAIN-P.W.Board | | | C2610 | 08S45677W48 | CAP,CER.331J-CH1H-CP |
| MAIN-P.W.Board | | | C2611 | 08S45677W48 | CAP,CER.331J-CH1H-CP |
| MAIN-P.W.Board | | | C2612 | 08S45677W48 | CAP,CER.331J-CH1H-CP |
| MAIN-P.W.Board | | | C2613 | 08S45677W48 | CAP,CER.331J-CH1H-CP |
| MAIN-P.W.Board | | | C2614 | 08S45677W48 | CAP,CER.331J-CH1H-CP |
| MAIN-P.W.Board | | | C2615 | 08S45677W48 | CAP,CER.331J-CH1H-CP |
| MAIN-P.W.Board | | | C2616 | 08S45677W48 | CAP,CER.331J-CH1H-CP |
| MAIN-P.W.Board | | | C2617 | 08S45677W48 | CAP,CER.331J-CH1H-CP |
| MAIN-P.W.Board | | | C2618 | 08S45677W48 | CAP,CER.331J-CH1H-CP |
| MAIN-P.W.Board | | | C2619 | 08S45677W48 | CAP,CER.331J-CH1H-CP |
| MAIN-P.W.Board | | | C2620 | 08S45677W48 | CAP,CER.331J-CH1H-CP |

Mark Model Code

#1 CDA-117 Only,

\$1 CDA-117E(General Foreign) Only,

%1 CDA-117E(Chinese) Only,

Others:Common.

NOTE:The part that has not PART NUMBER will not be supplied.

| P.W.Board | MIS | MODEL | Ref. | Parts No. | Parts Name |
|----------------|-----|-------|-----------------------|-------------|----------------------|
| MAIN-P.W.Board | | | C2621 | 08S45677W48 | CAP,CER.331J-CH1H-CP |
| MAIN-P.W.Board | | | C2622 | 08S45677W48 | CAP,CER.331J-CH1H-CP |
| MAIN-P.W.Board | | | C2700 | 08S45676W80 | CAP,CER 223K-B1E -CP |
| MAIN-P.W.Board | | | C2802 | 08S45677W20 | CAP,CER.22RJ-CH1H-CP |
| MAIN-P.W.Board | | | C2803 | 08S45677W20 | CAP,CER.22RJ-CH1H-CP |
| MAIN-P.W.Board | | | C2804 | 08S45677W20 | CAP,CER.22RJ-CH1H-CP |
| MAIN-P.W.Board | | | C2805 | 08S45677W20 | CAP,CER.22RJ-CH1H-CP |
| MAIN-P.W.Board | | | C2806 | 08S65674Y05 | CAP,CER 105KX5R1C-CP |
| MAIN-P.W.Board | | | C2807 | 08S65674Y05 | CAP,CER 105KX5R1C-CP |
| MAIN-P.W.Board | | | C2808 | 08S65674Y05 | CAP,CER 105KX5R1C-CP |
| MAIN-P.W.Board | | | C2809 | 08S65674Y05 | CAP,CER 105KX5R1C-CP |
| MAIN-P.W.Board | | | C2810 | 08S65674Y05 | CAP,CER 105KX5R1C-CP |
| MAIN-P.W.Board | | | C2811 | 08S65674Y05 | CAP,CER 105KX5R1C-CP |
| MAIN-P.W.Board | | | C2812 | 08S65674Y05 | CAP,CER 105KX5R1C-CP |
| MAIN-P.W.Board | | | C2813 | 08S65674Y05 | CAP,CER 105KX5R1C-CP |
| MAIN-P.W.Board | | | C2814 | 08S45677W20 | CAP,CER.22RJ-CH1H-CP |
| MAIN-P.W.Board | | | C2815 | 08S45677W20 | CAP,CER.22RJ-CH1H-CP |
| MAIN-P.W.Board | | | C2816 | 08S45677W20 | CAP,CER.22RJ-CH1H-CP |
| MAIN-P.W.Board | | | C2817 | 08S45677W20 | CAP,CER.22RJ-CH1H-CP |
| MAIN-P.W.Board | | | C2818 | 08S45676W80 | CAP,CER 223K-B1E -CP |
| MAIN-P.W.Board | | | C2819 | 08S45676W73 | CAP,CER.103K-B1H -CP |
| MAIN-P.W.Board | | | C3001 | 08-02764Z03 | CAP,TF 224K-1E -CP |
| MAIN-P.W.Board | | | C3002 | 08-02764Z03 | CAP,TF 224K-1E -CP |
| MAIN-P.W.Board | | | C3003 | 08-02764Z03 | CAP,TF 224K-1E -CP |
| MAIN-P.W.Board | | | C3004 | 08-02764Z03 | CAP,TF 224K-1E -CP |
| MAIN-P.W.Board | | | C3005 | 08S45677W60 | CAP,CER 102J-CH1H-CP |
| MAIN-P.W.Board | | | C3006 | 08S45676W83 | CAP,CER 473K-B1C -CP |
| MAIN-P.W.Board | | | C3007 | 08T81833F07 | CAP,CER 105K-B1C -CP |
| MAIN-P.W.Board | | | C4000 | 08S45677W10 | CAP,CER 8R0D-CH1H-CP |
| MAIN-P.W.Board | | | C4001 | 08S45677W10 | CAP,CER 8R0D-CH1H-CP |
| MAIN-P.W.Board | | | C4002 | 08S45676W85 | CAP,CER 104K-B1C -CP |
| MAIN-P.W.Board | | | C4003 | 08S45676W85 | CAP,CER 104K-B1C -CP |
| MAIN-P.W.Board | | | C4004 | 08S45232Y05 | CAP,CER 102K-B1H -CP |
| MAIN-P.W.Board | | | C4005 | 08S45232Y17 | CAP,CER 104K-B0J -CP |
| MAIN-P.W.Board | | | C4006 | 08S45232Y05 | CAP,CER 102K-B1H -CP |
| MAIN-P.W.Board | | | C4007 | 08S35349Y12 | CAP,CER 105K-B0J -CP |
| MAIN-P.W.Board | | | C4008 | 08S45231Y38 | CAP,CER 102J-CH1E-CP |
| MAIN-P.W.Board | | | C4009 | 08S45231Y38 | CAP,CER 102J-CH1E-CP |
| MAIN-P.W.Board | | | C4010 | 08S35349Y12 | CAP,CER 105K-B0J -CP |
| MAIN-P.W.Board | | | C4011 | 08S45231Y38 | CAP,CER 102J-CH1E-CP |
| MAIN-P.W.Board | | | C4012 | 08S35349Y12 | CAP,CER 105K-B0J -CP |
| MAIN-P.W.Board | | | C4013 | 08S45231Y38 | CAP,CER 102J-CH1E-CP |

Mark Model Code

#1 CDA-117 Only,

\$1 CDA-117E(General Foreign) Only,

%1 CDA-117E(Chinese) Only,

Others:Common.

NOTE:The part that has not PART NUMBER will not be supplied.

| P.W.Board | MIS | MODEL | Ref. | Parts No. | Parts Name |
|----------------|-----|-------|-----------------------|-------------|----------------------|
| MAIN-P.W.Board | | | C4014 | 08S35349Y12 | CAP,CER 105K-B0J -CP |
| MAIN-P.W.Board | | | C4015 | 08S45231Y38 | CAP,CER 102J-CH1E-CP |
| MAIN-P.W.Board | | | C4016 | 08S35349Y12 | CAP,CER 105K-B0J -CP |
| MAIN-P.W.Board | | | C4017 | 08S45231Y38 | CAP,CER 102J-CH1E-CP |
| MAIN-P.W.Board | | | C4018 | 08S35349Y12 | CAP,CER 105K-B0J -CP |
| MAIN-P.W.Board | | | C4019 | 08S45231Y38 | CAP,CER 102J-CH1E-CP |
| MAIN-P.W.Board | | | C4020 | 08S35349Y12 | CAP,CER 105K-B0J -CP |
| MAIN-P.W.Board | | | C4021 | 08S35349Y12 | CAP,CER 105K-B0J -CP |
| MAIN-P.W.Board | | | C4022 | 08S35349Y12 | CAP,CER 105K-B0J -CP |
| MAIN-P.W.Board | | | C4023 | 08S45231Y38 | CAP,CER 102J-CH1E-CP |
| MAIN-P.W.Board | | | C4024 | 08S45231Y38 | CAP,CER 102J-CH1E-CP |
| MAIN-P.W.Board | | | C4025 | 08S35349Y12 | CAP,CER 105K-B0J -CP |
| MAIN-P.W.Board | | | C4026 | 08S45231Y38 | CAP,CER 102J-CH1E-CP |
| MAIN-P.W.Board | | | C4027 | 08S35349Y12 | CAP,CER 105K-B0J -CP |
| MAIN-P.W.Board | | | C4028 | 08S45231Y38 | CAP,CER 102J-CH1E-CP |
| MAIN-P.W.Board | | | C4029 | 08S35349Y12 | CAP,CER 105K-B0J -CP |
| MAIN-P.W.Board | | | C4030 | 08S45231Y38 | CAP,CER 102J-CH1E-CP |
| MAIN-P.W.Board | | | C4031 | 08S45231Y38 | CAP,CER 102J-CH1E-CP |
| MAIN-P.W.Board | | | C4032 | 08S65670Y01 | CAP,CER 106KX5R1C-CP |
| MAIN-P.W.Board | | | C4033 | 08S45232Y21 | CAP,CER 104K-X7R1ACP |
| MAIN-P.W.Board | | | C4034 | 08S45232Y21 | CAP,CER 104K-X7R1ACP |
| MAIN-P.W.Board | | | C4035 | 08S65128F69 | CAP,CER.103K-B1H -CP |
| MAIN-P.W.Board | | | C4036 | 08S65128F69 | CAP,CER.103K-B1H -CP |
| MAIN-P.W.Board | | | C4037 | 08S35349Y12 | CAP,CER 105K-B0J -CP |
| MAIN-P.W.Board | | | C4038 | 08S35349Y12 | CAP,CER 105K-B0J -CP |
| MAIN-P.W.Board | | | C4039 | 08S45231Y38 | CAP,CER 102J-CH1E-CP |
| MAIN-P.W.Board | | | C4040 | 08S65670Y01 | CAP,CER 106KX5R1C-CP |
| MAIN-P.W.Board | | | C4041 | 08S45232Y21 | CAP,CER 104K-X7R1ACP |
| MAIN-P.W.Board | | | C4042 | 08S45232Y21 | CAP,CER 104K-X7R1ACP |
| MAIN-P.W.Board | | | C4043 | 08S65128F69 | CAP,CER.103K-B1H -CP |
| MAIN-P.W.Board | | | C4044 | 08S65128F69 | CAP,CER.103K-B1H -CP |
| MAIN-P.W.Board | | | C4045 | 08S65670Y01 | CAP,CER 106KX5R1C-CP |
| MAIN-P.W.Board | | | C4046 | 08S45232Y21 | CAP,CER 104K-X7R1ACP |
| MAIN-P.W.Board | | | C4047 | 08S45232Y21 | CAP,CER 104K-X7R1ACP |
| MAIN-P.W.Board | | | C4048 | 08S65128F69 | CAP,CER.103K-B1H -CP |
| MAIN-P.W.Board | | | C4049 | 08S65128F69 | CAP,CER.103K-B1H -CP |
| MAIN-P.W.Board | | | C4050 | 08S45232Y11 | CAP,CER 103K-B1C -CP |
| MAIN-P.W.Board | | | C4051 | 08S45232Y11 | CAP,CER 103K-B1C -CP |
| MAIN-P.W.Board | | | C4052 | 08S45232Y11 | CAP,CER 103K-B1C -CP |
| MAIN-P.W.Board | | | C4053 | 08S45232Y11 | CAP,CER 103K-B1C -CP |
| MAIN-P.W.Board | | | C4054 | 08S45232Y11 | CAP,CER 103K-B1C -CP |
| MAIN-P.W.Board | | | C4055 | 08S45676W93 | CAP,CER 224K-B1A -CP |

Mark Model Code

#1 CDA-117 Only,

\$1 CDA-117E(General Foreign) Only,

%1 CDA-117E(Chinese) Only,

Others:Common.

NOTE:The part that has not PART NUMBER will not be supplied.

| P.W.Board | MIS | MODEL | Ref. | Parts No. | Parts Name |
|----------------|-----|-------|-----------------------|-------------|----------------------|
| MAIN-P.W.Board | | | C4058 | 08S45676W80 | CAP,CER 223K-B1E -CP |
| MAIN-P.W.Board | | | C4063 | 08S45676W93 | CAP,CER 224K-B1A -CP |
| MAIN-P.W.Board | | | C4100 | 08S45676W85 | CAP,CER 104K-B1C -CP |
| MAIN-P.W.Board | | | C4101 | 08S45676W85 | CAP,CER 104K-B1C -CP |
| MAIN-P.W.Board | | | C4102 | 08S45676W85 | CAP,CER 104K-B1C -CP |
| MAIN-P.W.Board | | | C4200 | 08S45676W85 | CAP,CER 104K-B1C -CP |
| MAIN-P.W.Board | | | C4300 | 08S45676W84 | CAP,CER 683K-B1C -CP |
| MAIN-P.W.Board | | | C5001 | 08S45231Y17 | CAP,CER 22RJ-CH1H-CP |
| MAIN-P.W.Board | | | C5002 | 08S45231Y17 | CAP,CER 22RJ-CH1H-CP |
| MAIN-P.W.Board | | | C5003 | 08S45231Y18 | CAP,CER 27RJ-CH1H-CP |
| MAIN-P.W.Board | | | C5004 | 08S45231Y18 | CAP,CER 27RJ-CH1H-CP |
| MAIN-P.W.Board | | | C5005 | 08S45676W85 | CAP,CER 104K-B1C -CP |
| MAIN-P.W.Board | | | C5006 | 08S45676W85 | CAP,CER 104K-B1C -CP |
| MAIN-P.W.Board | | | C5007 | 08S45676W85 | CAP,CER 104K-B1C -CP |
| MAIN-P.W.Board | | | C5008 | 08S45676W85 | CAP,CER 104K-B1C -CP |
| MAIN-P.W.Board | | | C5010 | 08S65670Y04 | CAP,CER 475KX5R1E-CP |
| MAIN-P.W.Board | | | C5011 | 08S45676W80 | CAP,CER 223K-B1E -CP |
| MAIN-P.W.Board | | | C5012 | 08S35374W01 | CAP,CER 104K-B1E-CP |
| MAIN-P.W.Board | | | C5013 | 08S65128F90 | CAP,CER 473K-B1H -CP |
| MAIN-P.W.Board | | | C5014 | 08S45676W73 | CAP,CER.103K-B1H -CP |
| MAIN-P.W.Board | | | C5015 | 08S45676W80 | CAP,CER 223K-B1E -CP |
| MAIN-P.W.Board | | | C5016 | 08S45676W80 | CAP,CER 223K-B1E -CP |
| MAIN-P.W.Board | | | C5100 | 08S35374W01 | CAP,CER 104K-B1E-CP |
| MAIN-P.W.Board | | | C5101 | 08S65128F78 | CAP,CER.223K-B1H -CP |
| MAIN-P.W.Board | | | C5102 | 08S45676W65 | CAP,CER.222K-B1H -CP |
| MAIN-P.W.Board | | | C5103 | 08S45677W36 | CAP,CER.101J-CH1H-CP |
| MAIN-P.W.Board | | | C5200 | 08T81833F07 | CAP,CER 105K-B1C -CP |
| MAIN-P.W.Board | | | C5201 | 08S45677W22 | CAP,CER.27RJ-CH1H-CP |
| MAIN-P.W.Board | | | C5202 | 08S45677W36 | CAP,CER.101J-CH1H-CP |
| MAIN-P.W.Board | | | C5502 | 08S45676W80 | CAP,CER 223K-B1E -CP |
| MAIN-P.W.Board | | | C5504 | 08S45676W65 | CAP,CER.222K-B1H -CP |
| MAIN-P.W.Board | | | C5505 | 08S45676W65 | CAP,CER.222K-B1H -CP |
| MAIN-P.W.Board | | | C5506 | 08S45676W65 | CAP,CER.222K-B1H -CP |
| MAIN-P.W.Board | | | C5600 | 08S65674Y05 | CAP,CER 105KX5R1C-CP |
| MAIN-P.W.Board | | | C5601 | 08S65669Y01 | CAP,CER 334KX7R1E-CP |
| MAIN-P.W.Board | | | C5602 | 08S45676W85 | CAP,CER 104K-B1C -CP |
| MAIN-P.W.Board | | | C6000 | 08S45676W93 | CAP,CER 224K-B1A -CP |
| MAIN-P.W.Board | | | C6001 | 08S82122F06 | CAP,CER.3R0C-CJ1H-CP |
| MAIN-P.W.Board | | | C6002 | 08S45231Y24 | CAP,CER 82RJ-CH1H-CP |
| MAIN-P.W.Board | | | C6003 | 08S45231Y24 | CAP,CER 82RJ-CH1H-CP |
| MAIN-P.W.Board | | | C6005 | 08S45232Y13 | CAP,CER 223K-B1C -CP |
| MAIN-P.W.Board | | | C6006 | 08S45676W93 | CAP,CER 224K-B1A -CP |

Mark Model Code

#1 CDA-117 Only,

\$1 CDA-117E(General Foreign) Only,

%1 CDA-117E(Chinese) Only,

Others:Common.

NOTE:The part that has not PART NUMBER will not be supplied.

| P.W.Board | MIS | MODEL | Ref. | Parts No. | Parts Name |
|----------------|-----|-------|-----------------------|-------------|----------------------|
| MAIN-P.W.Board | | | C6007 | 08S45676W93 | CAP,CER 224K-B1A -CP |
| MAIN-P.W.Board | | | C6009 | 08S45676W85 | CAP,CER 104K-B1C -CP |
| MAIN-P.W.Board | | | C6011 | 08S45677W08 | CAP,CER.6R0D-CH1H-CP |
| MAIN-P.W.Board | | | C6012 | 08S45677W08 | CAP,CER.6R0D-CH1H-CP |
| MAIN-P.W.Board | | | C6014 | 08S45676W93 | CAP,CER 224K-B1A -CP |
| MAIN-P.W.Board | | | C6015 | 08S45232Y13 | CAP,CER 223K-B1C -CP |
| MAIN-P.W.Board | | | C6016 | 08S45232Y13 | CAP,CER 223K-B1C -CP |
| MAIN-P.W.Board | | | C6017 | 08S45232Y13 | CAP,CER 223K-B1C -CP |
| MAIN-P.W.Board | | | C6018 | 08S45676W93 | CAP,CER 224K-B1A -CP |
| MAIN-P.W.Board | | | C6019 | 08S45232Y21 | CAP,CER 104K-X7R1ACP |
| MAIN-P.W.Board | | | C6020 | 08S45676W93 | CAP,CER 224K-B1A -CP |
| MAIN-P.W.Board | | | C6021 | 08S45676W93 | CAP,CER 224K-B1A -CP |
| MAIN-P.W.Board | | | C6022 | 08S45676W93 | CAP,CER 224K-B1A -CP |
| MAIN-P.W.Board | | | C6023 | 08S45676W93 | CAP,CER 224K-B1A -CP |
| MAIN-P.W.Board | | | C6024 | 08S45676W93 | CAP,CER 224K-B1A -CP |
| MAIN-P.W.Board | | | C6025 | 08S45676W93 | CAP,CER 224K-B1A -CP |
| MAIN-P.W.Board | | | C6028 | 08S45676W93 | CAP,CER 224K-B1A -CP |
| MAIN-P.W.Board | | | C6032 | 08S45232Y17 | CAP,CER 104K-B0J -CP |
| MAIN-P.W.Board | | | C6033 | 08S45676W60 | CAP,CER.102J-SL1H-CP |
| MAIN-P.W.Board | | | C6034 | 08S45676W60 | CAP,CER.102J-SL1H-CP |
| MAIN-P.W.Board | | | C6035 | 08S45676W60 | CAP,CER.102J-SL1H-CP |
| MAIN-P.W.Board | | | C6036 | 08S45676W60 | CAP,CER.102J-SL1H-CP |
| MAIN-P.W.Board | | | C6037 | 08S45676W93 | CAP,CER 224K-B1A -CP |
| MAIN-P.W.Board | | | C6100 | 08S45676W80 | CAP,CER 223K-B1E -CP |
| MAIN-P.W.Board | | | C6101 | 08S45676W80 | CAP,CER 223K-B1E -CP |
| MAIN-P.W.Board | | | C6102 | 08S35374W01 | CAP,CER 104K-B1E-CP |
| MAIN-P.W.Board | | | C6200 | 08S45232Y17 | CAP,CER 104K-B0J -CP |
| MAIN-P.W.Board | | | C6201 | 08S35349Y17 | CAP,CER 225K-B0J -CP |
| MAIN-P.W.Board | | | C8001 | 08S45539Y04 | CAP,CER 103KX7R2J-CP |
| MAIN-P.W.Board | | | C8002 | 08S45539Y04 | CAP,CER 103KX7R2J-CP |
| MAIN-P.W.Board | | | C8007 | 08S65128F78 | CAP,CER.223K-B1H -CP |
| MAIN-P.W.Board | | | C8008 | 08S45676W85 | CAP,CER 104K-B1C -CP |
| MAIN-P.W.Board | | | C8010 | 08S65667Y01 | CAP,CER 224KX5R1C-CP |
| MAIN-P.W.Board | | | C8012 | 08S45676W73 | CAP,CER.103K-B1H -CP |
| MAIN-P.W.Board | | | C8013 | 08S45676W85 | CAP,CER 104K-B1C -CP |
| MAIN-P.W.Board | | | C8014 | 08S65667Y01 | CAP,CER 224KX5R1C-CP |
| MAIN-P.W.Board | | | C8017 | 08S45676W85 | CAP,CER 104K-B1C -CP |
| MAIN-P.W.Board | | | C8018 | 08S45676W85 | CAP,CER 104K-B1C -CP |
| MAIN-P.W.Board | | | C8019 | 08S45676W85 | CAP,CER 104K-B1C -CP |
| MAIN-P.W.Board | | | C8020 | 08S45676W85 | CAP,CER 104K-B1C -CP |
| MAIN-P.W.Board | | | C8021 | 08S45676W85 | CAP,CER 104K-B1C -CP |
| MAIN-P.W.Board | | | C8022 | 08S65128F78 | CAP,CER.223K-B1H -CP |

Mark Model Code

#1 CDA-117 Only,

\$1 CDA-117E(General Foreign) Only,

%1 CDA-117E(Chinese) Only,

Others:Common.

NOTE:The part that has not PART NUMBER will not be supplied.

| P.W.Board | MIS | MODEL | Ref. | Parts No. | Parts Name |
|----------------|-----|-------|------------------------|-------------|----------------------|
| MAIN-P.W.Board | | | C8023 | 08S35374W01 | CAP,CER 104K-B1E-CP |
| MAIN-P.W.Board | | | C8024 | 08S65667Y01 | CAP,CER 224KX5R1C-CP |
| MAIN-P.W.Board | | | C8025 | 08S65674Y05 | CAP,CER 105KX5R1C-CP |
| MAIN-P.W.Board | | | C8026 | 08S45676W80 | CAP,CER 223K-B1E -CP |
| MAIN-P.W.Board | | | C8027 | 08S35350Y04 | CAP,CER 105K-B1C -CP |
| MAIN-P.W.Board | | | C8100 | 08S45676W80 | CAP,CER 223K-B1E -CP |
| MAIN-P.W.Board | | | C8101 | 08S45676W80 | CAP,CER 223K-B1E -CP |
| MAIN-P.W.Board | | | C8102 | 08S65669Y01 | CAP,CER 334KX7R1E-CP |
| MAIN-P.W.Board | | | C8103 | 08S65128F78 | CAP,CER.223K-B1H -CP |
| MAIN-P.W.Board | | | C8200 | 08S45676W80 | CAP,CER 223K-B1E -CP |
| MAIN-P.W.Board | | | C8201 | 08S45676W80 | CAP,CER 223K-B1E -CP |
| MAIN-P.W.Board | | | C8202 | 08S45676W73 | CAP,CER.103K-B1H -CP |
| MAIN-P.W.Board | | | C8203 | 08S65128F78 | CAP,CER.223K-B1H -CP |
| MAIN-P.W.Board | | | C8204 | 08S35374W07 | CAP,CER 334K-B1C -CP |
| MAIN-P.W.Board | | | C8300 | 08S45676W80 | CAP,CER 223K-B1E -CP |
| MAIN-P.W.Board | | | C8301 | 08S45676W80 | CAP,CER 223K-B1E -CP |
| MAIN-P.W.Board | | | C8500 | 08S65128F78 | CAP,CER.223K-B1H -CP |
| MAIN-P.W.Board | | | C8501 | 08S65128F78 | CAP,CER.223K-B1H -CP |
| MAIN-P.W.Board | | | C8502 | 08S35374W06 | CAP,CER 154K-B1C -CP |
| MAIN-P.W.Board | | | C8503 | 08S45676W80 | CAP,CER 223K-B1E -CP |
| MAIN-P.W.Board | | | C8505 | 08S65676Y05 | CAP,CER 105KX7R1E-CP |
| MAIN-P.W.Board | | | C8600 | 08S45676W85 | CAP,CER 104K-B1C -CP |
| MAIN-P.W.Board | | | C8602 | 08S45676W85 | CAP,CER 104K-B1C -CP |
| MAIN-P.W.Board | | | C8603 | 08S45676W85 | CAP,CER 104K-B1C -CP |
| MAIN-P.W.Board | | | C8604 | 08T81833F13 | CAP,CER 106K-B1C -CP |
| MAIN-P.W.Board | | | C8606 | 08S45232Y11 | CAP,CER 103K-B1C -CP |
| MAIN-P.W.Board | | | C8607 | 08S45232Y13 | CAP,CER 223K-B1C -CP |
| MAIN-P.W.Board | | | C8608 | 08S65676Y02 | CAP,CER 475KX7R1A-CP |
| MAIN-P.W.Board | | | C8609 | 08S45676W80 | CAP,CER 223K-B1E -CP |
| MAIN-P.W.Board | | | CB5500 | 09-16658Z06 | WTB,A2001WV2-7P -DB |
| MAIN-P.W.Board | | | CB8001 | 09T25436Y02 | WTB,53253-0270 -DB |
| MAIN-P.W.Board | | | CB8600 | 09-05986Z04 | WTB,SM05B-PASS-TBTE9 |
| MAIN-P.W.Board | | | CH4000 | 09-12384Z04 | BTB,IMSA9828S-40Y-EK |
| MAIN-P.W.Board | | | CH5600 | 09T75236Y20 | BTB,BTFW20R-3RSTA-EJ |
| MAIN-P.W.Board | | | D2200 | 48-07016Z01 | DIO,KDS181-RTK -CP |
| MAIN-P.W.Board | | | D2201 | 48-07016Z01 | DIO,KDS181-RTK -CP |
| MAIN-P.W.Board | | | D2202 | 48-07016Z01 | DIO,KDS181-RTK -CP |
| MAIN-P.W.Board | | | D3001 | 48-07015Z01 | DIO,KDS160-RTK -CP |
| MAIN-P.W.Board | | | D5100 | 48-07016Z02 | DIO,KDS184-RTK -CP |
| MAIN-P.W.Board | | | D5200 | 48-07016Z02 | DIO,KDS184-RTK -CP |
| MAIN-P.W.Board | | | D5201 | 48-07016Z01 | DIO,KDS181-RTK -CP |
| MAIN-P.W.Board | | | D5202 | 48-07015Z01 | DIO,KDS160-RTK -CP |

Mark Model Code


#1 CDA-117 Only,

\$1 CDA-117E(General Foreign) Only,

%1 CDA-117E(Chinese) Only,

Others:Common.

NOTE:The part that has not PART NUMBER will not be supplied.

| P.W.Board | MIS | MODEL | Ref. | Parts No. | Parts Name |
|----------------|---|-------|-------------------------|-------------|----------------------|
| MAIN-P.W.Board | | | D5500 | 48-12230Z01 | DIO,KDS226-RTK -CP |
| MAIN-P.W.Board | | | D5501 | 48-12230Z01 | DIO,KDS226-RTK -CP |
| MAIN-P.W.Board | | | D5600 | 48-16710Z01 | DIO,SHT RB530S-30-CP |
| MAIN-P.W.Board | | | D5601 | 48-12230Z01 | DIO,KDS226-RTK -CP |
| MAIN-P.W.Board | | | D5602 | 48T81063F01 | DIO,CP.MA159 / TX-CP |
| MAIN-P.W.Board | | | D8001 | 48T75527Y01 | DIO,1SR154-400 -E1 |
| MAIN-P.W.Board | | | D8002 | 48T75527Y01 | DIO,1SR154-400 -E1 |
| MAIN-P.W.Board | | | D8004 | 48T75527Y01 | DIO,1SR154-400 -E1 |
| MAIN-P.W.Board | | | D8005 | 48T75527Y01 | DIO,1SR154-400 -E1 |
| MAIN-P.W.Board | | | D8006 | 48T75527Y01 | DIO,1SR154-400 -E1 |
| MAIN-P.W.Board | | | D8007 | 48-07015Z01 | DIO,KDS160-RTK -CP |
| MAIN-P.W.Board | | | D8600 | 48T75527Y01 | DIO,1SR154-400 -E1 |
| MAIN-P.W.Board | | | D8601 | 48-08988Z01 | VST,EZJZ0V800AA -CP |
| MAIN-P.W.Board | | | D8602 | 48-08988Z01 | VST,EZJZ0V800AA -CP |
| MAIN-P.W.Board | | | D8603 | 48-07015Z01 | DIO,KDS160-RTK -CP |
| MAIN-P.W.Board |  | | DIN8001 | 09T55071W11 | CON,TCP9389-11 -DT |
| MAIN-P.W.Board | | | E2100 | 23S65134W12 | CAP,ELY 47R-0J(5)-E3 |
| MAIN-P.W.Board | | | E2101 | 23-02558Z08 | CAP,ZT 101-1A -E6 |
| MAIN-P.W.Board | | | E2102 | 23S65134W41 | CAP,ELY 4R7-1E(3)-E2 |
| MAIN-P.W.Board | | | E2103 | 23S65134W41 | CAP,ELY 4R7-1E(3)-E2 |
| MAIN-P.W.Board | | | E2104 | 23S65134W41 | CAP,ELY 4R7-1E(3)-E2 |
| MAIN-P.W.Board | | | E2105 | 23S65134W12 | CAP,ELY 47R-0J(5)-E3 |
| MAIN-P.W.Board | | | E2106 | 23S65134W41 | CAP,ELY 4R7-1E(3)-E2 |
| MAIN-P.W.Board | | | E2107 | 23S65134W41 | CAP,ELY 4R7-1E(3)-E2 |
| MAIN-P.W.Board | | | E2108 | 23S65134W41 | CAP,ELY 4R7-1E(3)-E2 |
| MAIN-P.W.Board | | | E2109 | 23S65134W41 | CAP,ELY 4R7-1E(3)-E2 |
| MAIN-P.W.Board | | | E2110 | 23S65134W41 | CAP,ELY 4R7-1E(3)-E2 |
| MAIN-P.W.Board | | | E2111 | 23S65134W41 | CAP,ELY 4R7-1E(3)-E2 |
| MAIN-P.W.Board | | | E2112 | 23S65134W41 | CAP,ELY 4R7-1E(3)-E2 |
| MAIN-P.W.Board | | | E2113 | 23S65134W41 | CAP,ELY 4R7-1E(3)-E2 |
| MAIN-P.W.Board | | | E2114 | 23S65134W41 | CAP,ELY 4R7-1E(3)-E2 |
| MAIN-P.W.Board | | | E2115 | 23S65134W41 | CAP,ELY 4R7-1E(3)-E2 |
| MAIN-P.W.Board | | | E2116 | 23S65134W41 | CAP,ELY 4R7-1E(3)-E2 |
| MAIN-P.W.Board | | | E2117 | 23S65134W41 | CAP,ELY 4R7-1E(3)-E2 |
| MAIN-P.W.Board | | | E2200 | 23S65134W51 | CAP,ELY 2R2-1V(3)-E2 |
| MAIN-P.W.Board | | | E2201 | 23S65134W51 | CAP,ELY 2R2-1V(3)-E2 |
| MAIN-P.W.Board | | | E2202 | 23S65134W51 | CAP,ELY 2R2-1V(3)-E2 |
| MAIN-P.W.Board | | | E2203 | 23S65134W51 | CAP,ELY 2R2-1V(3)-E2 |
| MAIN-P.W.Board | | | E2204 | 23S65134W51 | CAP,ELY 2R2-1V(3)-E2 |
| MAIN-P.W.Board | | | E2205 | 23S65134W51 | CAP,ELY 2R2-1V(3)-E2 |
| MAIN-P.W.Board | | | E2300 | 23S65134W51 | CAP,ELY 2R2-1V(3)-E2 |
| MAIN-P.W.Board | | | E2301 | 23S65134W51 | CAP,ELY 2R2-1V(3)-E2 |

Mark Model Code

#1 CDA-117 Only,

\$1 CDA-117E(General Foreign) Only,

%1 CDA-117E(Chinese) Only,

Others:Common.

NOTE:The part that has not PART NUMBER will not be supplied.

| P.W.Board | MIS | MODEL | Ref. | Parts No. | Parts Name |
|----------------|-----|-------|-----------------------|-------------|----------------------|
| MAIN-P.W.Board | | | E2302 | 23S65134W51 | CAP,ELY 2R2-1V(3)-E2 |
| MAIN-P.W.Board | | | E2303 | 23S65134W51 | CAP,ELY 2R2-1V(3)-E2 |
| MAIN-P.W.Board | | | E2304 | 23S65134W51 | CAP,ELY 2R2-1V(3)-E2 |
| MAIN-P.W.Board | | | E2305 | 23S65134W51 | CAP,ELY 2R2-1V(3)-E2 |
| MAIN-P.W.Board | | | E2600 | 23S45639Y10 | CAP,ELY 101-1C -R2 |
| MAIN-P.W.Board | | | E2601 | 23-02519Z15 | CAP,FC 22R-1C-C -E3 |
| MAIN-P.W.Board | | | E2602 | 23-02519Z15 | CAP,FC 22R-1C-C -E3 |
| MAIN-P.W.Board | | | E2700 | 23S65134W31 | CAP,ELY 10R-1C(4)-E2 |
| MAIN-P.W.Board | | | E2701 | 23S65134W32 | CAP,ELY 22R-1C(5)-E3 |
| MAIN-P.W.Board | | | E2802 | 23S65134W32 | CAP,ELY 22R-1C(5)-E3 |
| MAIN-P.W.Board | | | E2803 | 23S65134W32 | CAP,ELY 22R-1C(5)-E3 |
| MAIN-P.W.Board | | | E3001 | 23T65114Y32 | CAP,FK 4R7-1V-B -E2 |
| MAIN-P.W.Board | | | E3002 | 23T65114Y32 | CAP,FK 4R7-1V-B -E2 |
| MAIN-P.W.Board | | | E3003 | 23T65114Y32 | CAP,FK 4R7-1V-B -E2 |
| MAIN-P.W.Board | | | E3004 | 23T65114Y32 | CAP,FK 4R7-1V-B -E2 |
| MAIN-P.W.Board | | | E3005 | 23S65134W34 | CAP,ELY 47R-1C(6)-E6 |
| MAIN-P.W.Board | | | E3006 | 23S65134W65 | CAP,ELY 1R0-1H(3)-E2 |
| MAIN-P.W.Board | | | E3007 | 23S75244Y18 | CAP,ELY 47R-1C -E3 |
| MAIN-P.W.Board | | | E3008 | 23T65114Y32 | CAP,FK 4R7-1V-B -E2 |
| MAIN-P.W.Board | | | E4200 | 23S65134W31 | CAP,ELY 10R-1C(4)-E2 |
| MAIN-P.W.Board | | | E4300 | 23T55378W03 | CAP,KMG 471-1A -R2 |
| MAIN-P.W.Board | | | E4301 | 23T55378W03 | CAP,KMG 471-1A -R2 |
| MAIN-P.W.Board | | | E5000 | 23S65134W15 | CAP,ELY 331-0J(8)-E6 |
| MAIN-P.W.Board | | | E5200 | 23S65134W32 | CAP,ELY 22R-1C(5)-E3 |
| MAIN-P.W.Board | | | E5600 | 23S65134W31 | CAP,ELY 10R-1C(4)-E2 |
| MAIN-P.W.Board | | | E5601 | 23-02519Z15 | CAP,FC 22R-1C-C -E3 |
| MAIN-P.W.Board | | | E5602 | 23-02519Z15 | CAP,FC 22R-1C-C -E3 |
| MAIN-P.W.Board | | | E6000 | 23T75543Y01 | CAP,MVA 331-0J -E6 |
| MAIN-P.W.Board | | | E6001 | 23T65114Y06 | CAP,FK 221-0J-D -E6 |
| MAIN-P.W.Board | | | E6002 | 23S65134W41 | CAP,ELY 4R7-1E(3)-E2 |
| MAIN-P.W.Board | | | E6003 | 23S65134W65 | CAP,ELY 1R0-1H(3)-E2 |
| MAIN-P.W.Board | | | E6004 | 23S65134W41 | CAP,ELY 4R7-1E(3)-E2 |
| MAIN-P.W.Board | | | E6006 | 23S65134W81 | CAP,ELY 22R-1C(4)-E2 |
| MAIN-P.W.Board | | | E6007 | 23S65134W41 | CAP,ELY 4R7-1E(3)-E2 |
| MAIN-P.W.Board | | | E6008 | 23S65134W81 | CAP,ELY 22R-1C(4)-E2 |
| MAIN-P.W.Board | | | E6100 | 23S75244Y02 | CAP,ELY 47R-0J -E2 |
| MAIN-P.W.Board | | | E6200 | 23T65114Y17 | CAP,FK 10R-1C-B -E2 |
| MAIN-P.W.Board | | | E6201 | 23S75244Y25 | CAP,ELY 22R-1E -E3 |
| MAIN-P.W.Board | | | E6202 | 23T65114Y20 | CAP,FK 101-1C-D -E6 |
| MAIN-P.W.Board | | | E6203 | 23T65114Y32 | CAP,FK 4R7-1V-B -E2 |
| MAIN-P.W.Board | | | E8001 | 23T75325Y01 | CAP,VB 332-1C + |
| MAIN-P.W.Board | | | E8002 | 23T65114Y15 | CAP,FK 681-1A-F -EA |

Mark Model Code

#1 CDA-117 Only,

\$1 CDA-117E(General Foreign) Only,

%1 CDA-117E(Chinese) Only,

Others:Common.

NOTE:The part that has not PART NUMBER will not be supplied.

| P.W.Board | MIS | MODEL | Ref. | Parts No. | Parts Name |
|----------------|-----|-------|------------------------|-------------|----------------------|
| MAIN-P.W.Board | | | E8003 | 23T65114Y15 | CAP,FK 681-1A-F -EA |
| MAIN-P.W.Board | | | E8100 | 23S65134W23 | CAP,ELY 101-1A(6)-E6 |
| MAIN-P.W.Board | | | E8101 | 23T65114Y20 | CAP,FK 101-1C-D -E6 |
| MAIN-P.W.Board | | | E8200 | 23S65134W23 | CAP,ELY 101-1A(6)-E6 |
| MAIN-P.W.Board | | | E8201 | 23T65114Y26 | CAP,FK 22R-1E-C -E3 |
| MAIN-P.W.Board | | | E8202 | 23T65114Y20 | CAP,FK 101-1C-D -E6 |
| MAIN-P.W.Board | | | E8300 | 23S65134W23 | CAP,ELY 101-1A(6)-E6 |
| MAIN-P.W.Board | | | E8500 | 23T65114Y23 | CAP,FK 471-1C-F -EA |
| MAIN-P.W.Board | | | E8501 | 23T65114Y30 | CAP,FK 331-1E-F -EA |
| MAIN-P.W.Board | | | E8600 | 23T65679Y11 | CAP,CD 47R-0J -E2 |
| MAIN-P.W.Board | | | E8601 | 23T65114Y23 | CAP,FK 471-1C-F -EA |
| MAIN-P.W.Board | | | E8602 | 23T65114Y06 | CAP,FK 221-0J-D -E6 |
| MAIN-P.W.Board | | | E8603 | 23T65114Y23 | CAP,FK 471-1C-F -EA |
| MAIN-P.W.Board | | | E8604 | 08S65671Y01 | CAP,CER 226KX5R1A-CP |
| MAIN-P.W.Board | | | F8001 | 65T75477Y13 | FUSE,CCP2E 4.0A -CP |
| MAIN-P.W.Board | | | IC2100 | 51-13600Z01 | TDA7717 -QT |
| MAIN-P.W.Board | | | IC2300 | 51T93340F02 | NJM2060V-TE2 -SE2 |
| MAIN-P.W.Board | | | IC2301 | 51T15420Y01 | BA4560F-E2 -SE2 |
| MAIN-P.W.Board | | | IC2400 | 51-09404Z01 | PCM1754DBQR -SE2 |
| MAIN-P.W.Board | | | IC2600 | 51T65166Y01 | MAX829EUK -CP |
| MAIN-P.W.Board | | | IC2700 | 51T15420Y01 | BA4560F-E2 -SE2 |
| MAIN-P.W.Board | | | IC2800 | 51T93340F02 | NJM2060V-TE2 -SE2 |
| MAIN-P.W.Board | | | IC3001 | 51-14471Z01 | TB2923AHQ -ZS |
| MAIN-P.W.Board | | | IC4000 | 51-16333Z01 | M320C1DFG-9999 -QT |
| MAIN-P.W.Board | | | IC4001 | 51T15185Y02 | TC7SH08FU,JF-L -CP |
| MAIN-P.W.Board | | | IC4100 | 83-17827Z03 | OFL,V2.001b_Ghost |
| MAIN-P.W.Board | | | IC4200 | 51-15224Z01 | MFI341S2313 -SE2 |
| MAIN-P.W.Board | | | IC5000 | 83-17476Z98 | OFL,V1.000MFAL904A |
| MAIN-P.W.Board | | | IC5001 | 51-01528Z01 | M24512-WMW6T -SE2 |
| MAIN-P.W.Board | | | IC5002 | 51T75063Y07 | BD5229G-TR -CP |
| MAIN-P.W.Board | | | IC5100 | 51T93532F05 | TC4S01F-TE85L -CP |
| MAIN-P.W.Board | | | IC5200 | 51-09594Z01 | KIC7W04FK-RTK -CP |
| MAIN-P.W.Board | | | IC5201 | 51-10494Z01 | KIA393F-EL -SE2 |
| MAIN-P.W.Board | | | IC5500 | 51T35123Y01 | TC7W14FK-TE85L -CP |
| MAIN-P.W.Board | | | IC5600 | 51-05862Z01 | NJM2845DL1-33-TE1NE5 |
| MAIN-P.W.Board | | | IC6000 | 51-15841Z01 | SAF7746HV -QT |
| MAIN-P.W.Board | | | IC6200 | 51T55517Y01 | NJU7223DL118-TE1-NE5 |
| MAIN-P.W.Board | | | IC8001 | 51T65147Y01 | HA13165 -ZS |
| MAIN-P.W.Board | | | IC8100 | 51-05862Z01 | NJM2845DL1-33-TE1NE5 |
| MAIN-P.W.Board | | | IC8101 | 51-04201Z01 | PQ012GN01ZPH -NE5 |
| MAIN-P.W.Board | | | IC8200 | 51-05862Z01 | NJM2845DL1-33-TE1NE5 |
| MAIN-P.W.Board | | | IC8201 | 51-05462Z01 | NJM2386ADL3-05TE1NE5 |

Mark Model Code

#1 CDA-117 Only,

\$1 CDA-117E(General Foreign) Only,

%1 CDA-117E(Chinese) Only,

Others:Common.

NOTE:The part that has not PART NUMBER will not be supplied.

| P.W.Board | MIS | MODEL | Ref. | Parts No. | Parts Name |
|----------------|-----|-------|------------------------|-------------|----------------------|
| MAIN-P.W.Board | | | IC8202 | 51-02830Z01 | BA7810HFP -NEA |
| MAIN-P.W.Board | | | IC8300 | 51-05862Z01 | NJM2845DL1-33-TE1NE5 |
| MAIN-P.W.Board | | | IC8500 | 51T15131Y01 | NJM2360AM-TE2 -SE6 |
| MAIN-P.W.Board | | | IC8600 | 51-02248Z01 | BD9781HFP-TR -NEA |
| MAIN-P.W.Board | | | IC8601 | 51-11433Z01 | RT9702AGB -CP |
| MAIN-P.W.Board | ⓂE | | JK2800 | 09-11352Z01 | RCA,YKC21-4816N -DB |
| MAIN-P.W.Board | ⓂE | | JK5100 | 09T03156K01 | JAC,CK-3.5-14 -DB |
| MAIN-P.W.Board | | | L2401 | 24T95456W27 | FBI,BLM18PG181SH1-CP |
| MAIN-P.W.Board | | | L2600 | 24T16271W21 | IND,RCR-875D 102K + |
| MAIN-P.W.Board | | | L2601 | 24T16271W21 | IND,RCR-875D 102K + |
| MAIN-P.W.Board | | | L2602 | 24T45379Y03 | IND,D53LC 3R3M -E2 |
| MAIN-P.W.Board | | | L5600 | 24T95457W18 | FBI,BLM21PG221SH1-CP |
| MAIN-P.W.Board | | | L5601 | 24T35072W03 | FBI,BL02RN1R2P1A -R5 |
| MAIN-P.W.Board | | | L6001 | 06S55366Y39 | RES,RK JUMPER1/10-CP |
| MAIN-P.W.Board | | | L6002 | 24T95456W11 | FBI,BLM18AG601SH1-CP |
| MAIN-P.W.Board | | | L6003 | 24T95456W11 | FBI,BLM18AG601SH1-CP |
| MAIN-P.W.Board | | | L6004 | 24T95456W11 | FBI,BLM18AG601SH1-CP |
| MAIN-P.W.Board | | | L6005 | 24T95456W11 | FBI,BLM18AG601SH1-CP |
| MAIN-P.W.Board | | | L6006 | 24T95456W11 | FBI,BLM18AG601SH1-CP |
| MAIN-P.W.Board | | | L6007 | 24T95456W11 | FBI,BLM18AG601SH1-CP |
| MAIN-P.W.Board | | | L6008 | 24T95456W11 | FBI,BLM18AG601SH1-CP |
| MAIN-P.W.Board | | | L6009 | 24T95456W11 | FBI,BLM18AG601SH1-CP |
| MAIN-P.W.Board | | | L6010 | 24T95456W11 | FBI,BLM18AG601SH1-CP |
| MAIN-P.W.Board | | | L6011 | 24-06212Z02 | FBI,BLM15AG102SH1-CP |
| MAIN-P.W.Board | | | L6012 | 24-06212Z02 | FBI,BLM15AG102SH1-CP |
| MAIN-P.W.Board | | | L6013 | 24T95457W15 | FBI,BLM21AG601SH1-CP |
| MAIN-P.W.Board | | | L6014 | 24-06212Z02 | FBI,BLM15AG102SH1-CP |
| MAIN-P.W.Board | | | L6100 | 24T25164Y21 | IND,FSLM2520 4R7J-CP |
| MAIN-P.W.Board | | | L6101 | 24T16403W29 | COI,IND.15R-M -CP |
| MAIN-P.W.Board | | | L6104 | 24T25164Y19 | IND,FSLM2520 3R3J-CP |
| MAIN-P.W.Board | | | L8500 | 24T15313Y17 | IND,CDRH104 221M -E6 |
| MAIN-P.W.Board | | | L8501 | 24-04484Z06 | IND,7B12HJ 101M -EA |
| MAIN-P.W.Board | | | L8600 | 24-04484Z06 | IND,7B12HJ 101M -EA |
| MAIN-P.W.Board | | | Q2200 | 48T25317Y01 | TR,XN0F256-TX -CP |
| MAIN-P.W.Board | | | Q2201 | 48T25317Y01 | TR,XN0F256-TX -CP |
| MAIN-P.W.Board | | | Q2202 | 48T25317Y01 | TR,XN0F256-TX -CP |
| MAIN-P.W.Board | | | Q2600 | 48-04940Z17 | TR,KRA118S-RTK -CP |
| MAIN-P.W.Board | | | Q2601 | 48-04929Z18 | TR,KRC119S-RTK -CP |
| MAIN-P.W.Board | | | Q3001 | 48-04929Z02 | TR,KRC102S-RTK -CP |
| MAIN-P.W.Board | | | Q3002 | 48-04929Z02 | TR,KRC102S-RTK -CP |
| MAIN-P.W.Board | | | Q3004 | 48-02302Z02 | TR,XP0331200L -CP |

Mark Model Code

#1 CDA-117 Only,

\$1 CDA-117E(General Foreign) Only,

%1 CDA-117E(Chinese) Only,

Others:Common.

NOTE:The part that has not PART NUMBER will not be supplied.

| P.W.Board | MIS | MODEL | Ref. | Parts No. | Parts Name |
|----------------|-----|-------|-----------------------|-------------|----------------------|
| MAIN-P.W.Board | | | Q3005 | 48-04929Z03 | TR,KRC103S-RTK -CP |
| MAIN-P.W.Board | | | Q3006 | 48-04929Z03 | TR,KRC103S-RTK -CP |
| MAIN-P.W.Board | | | Q5000 | 48T45594W12 | TR ,XN1A312 -TX-CP |
| MAIN-P.W.Board | | | Q5100 | 48-09583Z04 | TR,KTA1504S-GRRTK-CP |
| MAIN-P.W.Board | | | Q5101 | 48-04929Z02 | TR,KRC102S-RTK -CP |
| MAIN-P.W.Board | | | Q5200 | 48-09583Z04 | TR,KTA1504S-GRRTK-CP |
| MAIN-P.W.Board | | | Q5201 | 48-11160Z01 | TR,2SC5950G0L-TX -CP |
| MAIN-P.W.Board | | | Q5202 | 48-04940Z03 | TR,KRA103S-RTK -CP |
| MAIN-P.W.Board | | | Q5203 | 48-02302Z01 | TR,XP0331100L -CP |
| MAIN-P.W.Board | | | Q5500 | 48-02302Z02 | TR,XP0331200L -CP |
| MAIN-P.W.Board | | | Q5501 | 48-07989Z13 | TR,UNR521LJ-TX -CP |
| MAIN-P.W.Board | | | Q5600 | 48-02302Z01 | TR,XP0331100L -CP |
| MAIN-P.W.Board | | | Q5601 | 48-04929Z01 | TR,KRC101S-RTK -CP |
| MAIN-P.W.Board | | | Q5602 | 48-09583Z04 | TR,KTA1504S-GRRTK-CP |
| MAIN-P.W.Board | | | Q5603 | 48-04929Z01 | TR,KRC101S-RTK -CP |
| MAIN-P.W.Board | | | Q5604 | 48T75031Y03 | TR,2SB1440-S -E2 |
| MAIN-P.W.Board | | | Q5605 | 48-02302Z01 | TR,XP0331100L -CP |
| MAIN-P.W.Board | | | Q5606 | 48T73023F01 | TR ,2SD874A -E2 |
| MAIN-P.W.Board | | | Q6000 | 48-02302Z01 | TR,XP0331100L -CP |
| MAIN-P.W.Board | | | Q8000 | 48-04929Z01 | TR,KRC101S-RTK -CP |
| MAIN-P.W.Board | | | Q8001 | 48-04929Z03 | TR,KRC103S-RTK -CP |
| MAIN-P.W.Board | | | Q8002 | 48-02302Z01 | TR,XP0331100L -CP |
| MAIN-P.W.Board | | | Q8003 | 48-04929Z01 | TR,KRC101S-RTK -CP |
| MAIN-P.W.Board | | | Q8004 | 48-02302Z01 | TR,XP0331100L -CP |
| MAIN-P.W.Board | | | Q8005 | 48T75031Y03 | TR,2SB1440-S -E2 |
| MAIN-P.W.Board | | | Q8006 | 48-04929Z05 | TR,KRC105S-RTK -CP |
| MAIN-P.W.Board | | | Q8007 | 48-02302Z02 | TR,XP0331200L -CP |
| MAIN-P.W.Board | | | Q8008 | 48-09583Z04 | TR,KTA1504S-GRRTK-CP |
| MAIN-P.W.Board | | | Q8009 | 48-04929Z01 | TR,KRC101S-RTK -CP |
| MAIN-P.W.Board | | | Q8010 | 48T73023F01 | TR ,2SD874A -E2 |
| MAIN-P.W.Board | | | Q8011 | 48-02302Z01 | TR,XP0331100L -CP |
| MAIN-P.W.Board | | | Q8012 | 48T73023F01 | TR ,2SD874A -E2 |
| MAIN-P.W.Board | | | Q8013 | 48T73023F01 | TR ,2SD874A -E2 |
| MAIN-P.W.Board | | | Q8014 | 48-02302Z01 | TR,XP0331100L -CP |
| MAIN-P.W.Board | | | Q8015 | 48-05471Z01 | TR,XP0NG8A00-L -CP |
| MAIN-P.W.Board | | | Q8016 | 48-04929Z03 | TR,KRC103S-RTK -CP |
| MAIN-P.W.Board | | | Q8017 | 48-04929Z02 | TR,KRC102S-RTK -CP |
| MAIN-P.W.Board | | | Q8300 | 48-02302Z01 | TR,XP0331100L -CP |
| MAIN-P.W.Board | | | Q8500 | 48-02302Z01 | TR,XP0331100L -CP |
| MAIN-P.W.Board | | | Q8501 | 48T73023F01 | TR ,2SD874A -E2 |
| MAIN-P.W.Board | | | Q8502 | 48T73023F01 | TR ,2SD874A -E2 |
| MAIN-P.W.Board | | | Q8503 | 48T35569Y01 | TR,2SD1802-TL -E5 |

Mark Model Code

#1 CDA-117 Only,

\$1 CDA-117E(General Foreign) Only,

%1 CDA-117E(Chinese) Only,

Others:Common.

NOTE:The part that has not PART NUMBER will not be supplied.

| P.W.Board | MIS | MODEL | Ref. | Parts No. | Parts Name |
|----------------|-----|-------|-----------------------|-------------|----------------------|
| MAIN-P.W.Board | | | Q8600 | 48T45594W08 | TR ,XN1212 -TX-CP |
| MAIN-P.W.Board | | | Q8601 | 48-07987Z01 | TR,UNR5111J-TX -CP |
| MAIN-P.W.Board | | | Q8602 | 48-07989Z03 | TR,UNR5213J-TX -CP |
| MAIN-P.W.Board | | | Q8603 | 48T45594W16 | TR,XN1A311-TX -CP |
| MAIN-P.W.Board | | | R2100 | 06S55365Y59 | RES,RK 561J 1/10 -CP |
| MAIN-P.W.Board | | | R2101 | 06S35083Y45 | RES,RK 473F 1/4 -CP |
| MAIN-P.W.Board | | | R2102 | 06S35083Y45 | RES,RK 473F 1/4 -CP |
| MAIN-P.W.Board | | | R2103 | 06S35083Y45 | RES,RK 473F 1/4 -CP |
| MAIN-P.W.Board | | | R2104 | 06S64995F29 | RES,RK 101J 1/8 -CP |
| MAIN-P.W.Board | | | R2105 | 06S64995F29 | RES,RK 101J 1/8 -CP |
| MAIN-P.W.Board | | | R2106 | 06S64995F29 | RES,RK 101J 1/8 -CP |
| MAIN-P.W.Board | | | R2107 | 06S64995F29 | RES,RK 101J 1/8 -CP |
| MAIN-P.W.Board | | | R2109 | 06S55365Y59 | RES,RK 561J 1/10 -CP |
| MAIN-P.W.Board | | | R2111 | 06S15593Y94 | RES,RK 753F 1/10 -CP |
| MAIN-P.W.Board | | | R2112 | 06S15593Y67 | RES,RK 562F 1/10 -CP |
| MAIN-P.W.Board | | | R2113 | 06S15593Y57 | RES,RK 222F 1/10 -CP |
| MAIN-P.W.Board | | | R2114 | 06S15593Y73 | RES,RK 103F 1/10 -CP |
| MAIN-P.W.Board | | | R2115 | 06S15593Y94 | RES,RK 753F 1/10 -CP |
| MAIN-P.W.Board | | | R2116 | 06S15593Y67 | RES,RK 562F 1/10 -CP |
| MAIN-P.W.Board | | | R2117 | 06S15593Y57 | RES,RK 222F 1/10 -CP |
| MAIN-P.W.Board | | | R2118 | 06S15593Y73 | RES,RK 103F 1/10 -CP |
| MAIN-P.W.Board | | | R2119 | 06S15593Y67 | RES,RK 562F 1/10 -CP |
| MAIN-P.W.Board | | | R2120 | 06S15593Y57 | RES,RK 222F 1/10 -CP |
| MAIN-P.W.Board | | | R2121 | 06S15593Y73 | RES,RK 103F 1/10 -CP |
| MAIN-P.W.Board | | | R2122 | 06S15593Y94 | RES,RK 753F 1/10 -CP |
| MAIN-P.W.Board | | | R2123 | 06S15593Y94 | RES,RK 753F 1/10 -CP |
| MAIN-P.W.Board | | | R2124 | 06S15593Y67 | RES,RK 562F 1/10 -CP |
| MAIN-P.W.Board | | | R2125 | 06S15593Y57 | RES,RK 222F 1/10 -CP |
| MAIN-P.W.Board | | | R2126 | 06S15593Y73 | RES,RK 103F 1/10 -CP |
| MAIN-P.W.Board | | | R2127 | 06S15593Y94 | RES,RK 753F 1/10 -CP |
| MAIN-P.W.Board | | | R2128 | 06S15593Y67 | RES,RK 562F 1/10 -CP |
| MAIN-P.W.Board | | | R2129 | 06S15593Y57 | RES,RK 222F 1/10 -CP |
| MAIN-P.W.Board | | | R2130 | 06S15593Y73 | RES,RK 103F 1/10 -CP |
| MAIN-P.W.Board | | | R2131 | 06S15593Y94 | RES,RK 753F 1/10 -CP |
| MAIN-P.W.Board | | | R2132 | 06S15593Y67 | RES,RK 562F 1/10 -CP |
| MAIN-P.W.Board | | | R2133 | 06S15593Y57 | RES,RK 222F 1/10 -CP |
| MAIN-P.W.Board | | | R2134 | 06S15593Y73 | RES,RK 103F 1/10 -CP |
| MAIN-P.W.Board | | | R2200 | 06S45675W02 | RES,RK 683J 1/10 -CP |
| MAIN-P.W.Board | | | R2201 | 06S45675W02 | RES,RK 683J 1/10 -CP |
| MAIN-P.W.Board | | | R2202 | 06S45675W02 | RES,RK 683J 1/10 -CP |
| MAIN-P.W.Board | | | R2203 | 06S45675W02 | RES,RK 683J 1/10 -CP |
| MAIN-P.W.Board | | | R2204 | 06S45675W02 | RES,RK 683J 1/10 -CP |

Mark Model Code

#1 CDA-117 Only,

\$1 CDA-117E(General Foreign) Only,

%1 CDA-117E(Chinese) Only,

Others:Common.

NOTE:The part that has not PART NUMBER will not be supplied.

| P.W.Board | MIS | MODEL | Ref. | Parts No. | Parts Name |
|----------------|-----|-------|-----------------------|-------------|----------------------|
| MAIN-P.W.Board | | | R2205 | 06S45675W02 | RES,RK 683J 1/10 -CP |
| MAIN-P.W.Board | | | R2206 | 06S64995F37 | RES,RK 221J 1/8 -CP |
| MAIN-P.W.Board | | | R2207 | 06S64995F37 | RES,RK 221J 1/8 -CP |
| MAIN-P.W.Board | | | R2208 | 06S64995F37 | RES,RK 221J 1/8 -CP |
| MAIN-P.W.Board | | | R2209 | 06S64995F37 | RES,RK 221J 1/8 -CP |
| MAIN-P.W.Board | | | R2210 | 06S64995F37 | RES,RK 221J 1/8 -CP |
| MAIN-P.W.Board | | | R2211 | 06S64995F37 | RES,RK 221J 1/8 -CP |
| MAIN-P.W.Board | | | R2212 | 06S64995F29 | RES,RK 101J 1/8 -CP |
| MAIN-P.W.Board | | | R2213 | 06S64995F29 | RES,RK 101J 1/8 -CP |
| MAIN-P.W.Board | | | R2214 | 06S64995F29 | RES,RK 101J 1/8 -CP |
| MAIN-P.W.Board | | | R2215 | 06S64995F29 | RES,RK 101J 1/8 -CP |
| MAIN-P.W.Board | | | R2216 | 06S64995F29 | RES,RK 101J 1/8 -CP |
| MAIN-P.W.Board | | | R2217 | 06S64995F29 | RES,RK 101J 1/8 -CP |
| MAIN-P.W.Board | | | R2302 | 06S15593Y81 | RES,RK 223F 1/10 -CP |
| MAIN-P.W.Board | | | R2303 | 06S15593Y81 | RES,RK 223F 1/10 -CP |
| MAIN-P.W.Board | | | R2304 | 06S15593Y81 | RES,RK 223F 1/10 -CP |
| MAIN-P.W.Board | | | R2307 | 06S15593Y81 | RES,RK 223F 1/10 -CP |
| MAIN-P.W.Board | | | R2310 | 06S15593Y81 | RES,RK 223F 1/10 -CP |
| MAIN-P.W.Board | | | R2311 | 06S15593Y81 | RES,RK 223F 1/10 -CP |
| MAIN-P.W.Board | | | R2312 | 06S15593Y81 | RES,RK 223F 1/10 -CP |
| MAIN-P.W.Board | | | R2313 | 06S15593Y81 | RES,RK 223F 1/10 -CP |
| MAIN-P.W.Board | | | R2314 | 06S15593Y81 | RES,RK 223F 1/10 -CP |
| MAIN-P.W.Board | | | R2315 | 06S15593Y81 | RES,RK 223F 1/10 -CP |
| MAIN-P.W.Board | | | R2316 | 06S15593Y81 | RES,RK 223F 1/10 -CP |
| MAIN-P.W.Board | | | R2317 | 06S15593Y81 | RES,RK 223F 1/10 -CP |
| MAIN-P.W.Board | | | R2400 | 06S45674W89 | RES,RK 223J 1/10 -CP |
| MAIN-P.W.Board | | | R2401 | 06S15593Y49 | RES,RK 102F 1/10 -CP |
| MAIN-P.W.Board | | | R2402 | 06S15593Y49 | RES,RK 102F 1/10 -CP |
| MAIN-P.W.Board | | | R2700 | 06S55365Y66 | RES,RK 112J 1/10 -CP |
| MAIN-P.W.Board | | | R2701 | 06S55365Y66 | RES,RK 112J 1/10 -CP |
| MAIN-P.W.Board | | | R2702 | 06S55365Y66 | RES,RK 112J 1/10 -CP |
| MAIN-P.W.Board | | | R2703 | 06S55365Y66 | RES,RK 112J 1/10 -CP |
| MAIN-P.W.Board | | | R2704 | 06S15593Y69 | RES,RK 682F 1/10 -CP |
| MAIN-P.W.Board | | | R2705 | 06S15593Y69 | RES,RK 682F 1/10 -CP |
| MAIN-P.W.Board | | | R2800 | 06S15593Y81 | RES,RK 223F 1/10 -CP |
| MAIN-P.W.Board | | | R2801 | 06S15593Y81 | RES,RK 223F 1/10 -CP |
| MAIN-P.W.Board | | | R2802 | 06S15593Y81 | RES,RK 223F 1/10 -CP |
| MAIN-P.W.Board | | | R2803 | 06S15593Y81 | RES,RK 223F 1/10 -CP |
| MAIN-P.W.Board | | | R2804 | 06S15593Y81 | RES,RK 223F 1/10 -CP |
| MAIN-P.W.Board | | | R2805 | 06S15593Y81 | RES,RK 223F 1/10 -CP |
| MAIN-P.W.Board | | | R2806 | 06S15593Y81 | RES,RK 223F 1/10 -CP |
| MAIN-P.W.Board | | | R2807 | 06S15593Y81 | RES,RK 223F 1/10 -CP |

Mark Model Code

#1 CDA-117 Only,

\$1 CDA-117E(General Foreign) Only,

%1 CDA-117E(Chinese) Only,

Others:Common.

NOTE:The part that has not PART NUMBER will not be supplied.

| P.W.Board | MIS | MODEL | Ref. | Parts No. | Parts Name |
|----------------|-----|-------|-----------------------|-------------|----------------------|
| MAIN-P.W.Board | | | R2808 | 06S15593Y81 | RES,RK 223F 1/10 -CP |
| MAIN-P.W.Board | | | R2809 | 06S15593Y81 | RES,RK 223F 1/10 -CP |
| MAIN-P.W.Board | | | R2810 | 06S15593Y81 | RES,RK 223F 1/10 -CP |
| MAIN-P.W.Board | | | R2811 | 06S15593Y81 | RES,RK 223F 1/10 -CP |
| MAIN-P.W.Board | | | R2812 | 06S15593Y81 | RES,RK 223F 1/10 -CP |
| MAIN-P.W.Board | | | R2813 | 06S15593Y81 | RES,RK 223F 1/10 -CP |
| MAIN-P.W.Board | | | R2814 | 06S15593Y81 | RES,RK 223F 1/10 -CP |
| MAIN-P.W.Board | | | R2815 | 06S15593Y81 | RES,RK 223F 1/10 -CP |
| MAIN-P.W.Board | | | R3001 | 06S45674W81 | RES,RK 103J 1/10 -CP |
| MAIN-P.W.Board | | | R3002 | 06S45674W81 | RES,RK 103J 1/10 -CP |
| MAIN-P.W.Board | | | R3003 | 06S55362Y06 | RES,RK 473J 1/4 -CP |
| MAIN-P.W.Board | | | R3004 | 06S70072F29 | RES,CP .101-J-1/4-CP |
| MAIN-P.W.Board | | | R3006 | 06S45674W85 | RES,RK 153J 1/10 -CP |
| MAIN-P.W.Board | | | R3007 | 06S45674W33 | RES,RK 101J 1/10 -CP |
| MAIN-P.W.Board | | | R3008 | 06S45674W41 | RES,RK 221J 1/10 -CP |
| MAIN-P.W.Board | | | R3009 | 06S45674W81 | RES,RK 103J 1/10 -CP |
| MAIN-P.W.Board | | | R4000 | 06S45674W89 | RES,RK 223J 1/10 -CP |
| MAIN-P.W.Board | | | R4001 | 06S15615Y25 | RES,RK 101J 1/16 -CP |
| MAIN-P.W.Board | | | R4002 | 06S15615Y25 | RES,RK 101J 1/16 -CP |
| MAIN-P.W.Board | | | R4003 | 06T25178Y46 | RES,RK 43RF 1/4 -CP |
| MAIN-P.W.Board | | | R4004 | 06S35083Y54 | RES,RK 1R2F 1/4 -CP |
| MAIN-P.W.Board | | | R4005 | 06S15615Y81 | RES,RK 223J 1/16 -CP |
| MAIN-P.W.Board | | | R4008 | 06S45674W89 | RES,RK 223J 1/10 -CP |
| MAIN-P.W.Board | | | R4010 | 06S45674W33 | RES,RK 101J 1/10 -CP |
| MAIN-P.W.Board | | | R4011 | 06S15615Y65 | RES,RK 472J 1/16 -CP |
| MAIN-P.W.Board | | | R4012 | 06S15615Y25 | RES,RK 101J 1/16 -CP |
| MAIN-P.W.Board | | | R4013 | 06S15615Y81 | RES,RK 223J 1/16 -CP |
| MAIN-P.W.Board | | | R4014 | 06S15615Y81 | RES,RK 223J 1/16 -CP |
| MAIN-P.W.Board | | | R4015 | 06S15616Y22 | RES,RK 105J 1/16 -CP |
| MAIN-P.W.Board | | | R4018 | 06S15615Y25 | RES,RK 101J 1/16 -CP |
| MAIN-P.W.Board | | | R4019 | 06S15615Y25 | RES,RK 101J 1/16 -CP |
| MAIN-P.W.Board | | | R4022 | 06S15615Y25 | RES,RK 101J 1/16 -CP |
| MAIN-P.W.Board | | | R4023 | 06S15615Y89 | RES,RK 473J 1/16 -CP |
| MAIN-P.W.Board | | | R4026 | 06S15615Y25 | RES,RK 101J 1/16 -CP |
| MAIN-P.W.Board | | | R4027 | 06S15615Y25 | RES,RK 101J 1/16 -CP |
| MAIN-P.W.Board | | | R4033 | 06S45674W33 | RES,RK 101J 1/10 -CP |
| MAIN-P.W.Board | | | R4037 | 06S15616Y22 | RES,RK 105J 1/16 -CP |
| MAIN-P.W.Board | | | R4038 | 06S15616Y22 | RES,RK 105J 1/16 -CP |
| MAIN-P.W.Board | | | R4040 | 06S45674W89 | RES,RK 223J 1/10 -CP |
| MAIN-P.W.Board | | | R4041 | 06S45675W30 | RES,RK 105J 1/10 -CP |
| MAIN-P.W.Board | | | R4043 | 06S45674W89 | RES,RK 223J 1/10 -CP |
| MAIN-P.W.Board | | | R4045 | 06S15616Y22 | RES,RK 105J 1/16 -CP |

Mark Model Code

#1 CDA-117 Only,

\$1 CDA-117E(General Foreign) Only,

%1 CDA-117E(Chinese) Only,

Others:Common.

NOTE:The part that has not PART NUMBER will not be supplied.

| P.W.Board | MIS | MODEL | Ref. | Parts No. | Parts Name |
|----------------|-----|-------|-----------------------|-------------|----------------------|
| MAIN-P.W.Board | | | R4046 | 06S15616Y22 | RES,RK 105J 1/16 -CP |
| MAIN-P.W.Board | | | R4048 | 06S15615Y25 | RES,RK 101J 1/16 -CP |
| MAIN-P.W.Board | | | R4049 | 06S15615Y81 | RES,RK 223J 1/16 -CP |
| MAIN-P.W.Board | | | R4101 | 06S15593Y73 | RES,RK 103F 1/10 -CP |
| MAIN-P.W.Board | | | R4102 | 06S15593Y73 | RES,RK 103F 1/10 -CP |
| MAIN-P.W.Board | | | R4103 | 06S45674W33 | RES,RK 101J 1/10 -CP |
| MAIN-P.W.Board | | | R4104 | 06S15615Y25 | RES,RK 101J 1/16 -CP |
| MAIN-P.W.Board | | | R4200 | 06S45675W43 | RES,RK JUMPER1/10-CP |
| MAIN-P.W.Board | | | R4201 | 06S45674W57 | RES,RK 102J 1/10 -CP |
| MAIN-P.W.Board | | | R4202 | 06S45674W81 | RES,RK 103J 1/10 -CP |
| MAIN-P.W.Board | | | R4203 | 06S45674W81 | RES,RK 103J 1/10 -CP |
| MAIN-P.W.Board | | | R4205 | 06S45674W33 | RES,RK 101J 1/10 -CP |
| MAIN-P.W.Board | | | R4208 | 06S45674W33 | RES,RK 101J 1/10 -CP |
| MAIN-P.W.Board | | | R4209 | 06S45674W33 | RES,RK 101J 1/10 -CP |
| MAIN-P.W.Board | | | R4300 | 06S55366Y12 | RES,RK 823J 1/10 -CP |
| MAIN-P.W.Board | | | R4302 | 06S15615Y25 | RES,RK 101J 1/16 -CP |
| MAIN-P.W.Board | | | R4303 | 06S15615Y25 | RES,RK 101J 1/16 -CP |
| MAIN-P.W.Board | | | R4308 | 06S15615Y25 | RES,RK 101J 1/16 -CP |
| MAIN-P.W.Board | | | R4309 | 06S15615Y25 | RES,RK 101J 1/16 -CP |
| MAIN-P.W.Board | | | R4310 | 06S15615Y25 | RES,RK 101J 1/16 -CP |
| MAIN-P.W.Board | | | R4312 | 06S15615Y25 | RES,RK 101J 1/16 -CP |
| MAIN-P.W.Board | | | R4313 | 06S15615Y25 | RES,RK 101J 1/16 -CP |
| MAIN-P.W.Board | | | R4314 | 06S15615Y25 | RES,RK 101J 1/16 -CP |
| MAIN-P.W.Board | | | R4315 | 06S15615Y25 | RES,RK 101J 1/16 -CP |
| MAIN-P.W.Board | | | R4316 | 06S15615Y25 | RES,RK 101J 1/16 -CP |
| MAIN-P.W.Board | | | R4317 | 06S15615Y25 | RES,RK 101J 1/16 -CP |
| MAIN-P.W.Board | | | R4319 | 06S15615Y25 | RES,RK 101J 1/16 -CP |
| MAIN-P.W.Board | | | R4324 | 06S15616Y23 | RES,RK JUMPER1/16-CP |
| MAIN-P.W.Board | | | R4325 | 06S15616Y23 | RES,RK JUMPER1/16-CP |
| MAIN-P.W.Board | | | R4326 | 06S15616Y23 | RES,RK JUMPER1/16-CP |
| MAIN-P.W.Board | | | R5000 | 06S15615Y25 | RES,RK 101J 1/16 -CP |
| MAIN-P.W.Board | | | R5001 | 06S45674W97 | RES,RK 473J 1/10 -CP |
| MAIN-P.W.Board | | | R5002 | 06S45674W97 | RES,RK 473J 1/10 -CP |
| MAIN-P.W.Board | | | R5003 | 06S45674W97 | RES,RK 473J 1/10 -CP |
| MAIN-P.W.Board | | | R5005 | 06S45674W57 | RES,RK 102J 1/10 -CP |
| MAIN-P.W.Board | | | R5007 | 06S45674W97 | RES,RK 473J 1/10 -CP |
| MAIN-P.W.Board | | | R5015 | 06S55365Y41 | RES,RK 101J 1/10 -CP |
| MAIN-P.W.Board | | | R5016 | 06S55365Y41 | RES,RK 101J 1/10 -CP |
| MAIN-P.W.Board | | | R5018 | 06S45674W97 | RES,RK 473J 1/10 -CP |
| MAIN-P.W.Board | | | R5019 | 06S55366Y06 | RES,RK 473J 1/10 -CP |
| MAIN-P.W.Board | | | R5021 | 06S55365Y41 | RES,RK 101J 1/10 -CP |
| MAIN-P.W.Board | | | R5026 | 06S45674W97 | RES,RK 473J 1/10 -CP |

Mark Model Code

#1 CDA-117 Only,

\$1 CDA-117E(General Foreign) Only,

%1 CDA-117E(Chinese) Only,

Others:Common.

NOTE:The part that has not PART NUMBER will not be supplied.

| P.W.Board | MIS | MODEL | Ref. | Parts No. | Parts Name |
|----------------|-----|-------|-----------------------|-------------|----------------------|
| MAIN-P.W.Board | | | R5027 | 06S45674W57 | RES,RK 102J 1/10 -CP |
| MAIN-P.W.Board | | | R5029 | 06S45674W97 | RES,RK 473J 1/10 -CP |
| MAIN-P.W.Board | | | R5030 | 06S55365Y41 | RES,RK 101J 1/10 -CP |
| MAIN-P.W.Board | | | R5031 | 06S55365Y41 | RES,RK 101J 1/10 -CP |
| MAIN-P.W.Board | | | R5032 | 06S55365Y41 | RES,RK 101J 1/10 -CP |
| MAIN-P.W.Board | | | R5033 | 06S55365Y41 | RES,RK 101J 1/10 -CP |
| MAIN-P.W.Board | | | R5034 | 06S55365Y41 | RES,RK 101J 1/10 -CP |
| MAIN-P.W.Board | | | R5035 | 06S55365Y41 | RES,RK 101J 1/10 -CP |
| MAIN-P.W.Board | | | R5036 | 06S45674W97 | RES,RK 473J 1/10 -CP |
| MAIN-P.W.Board | | | R5038 | 06S45674W97 | RES,RK 473J 1/10 -CP |
| MAIN-P.W.Board | | | R5043 | 06S45674W89 | RES,RK 223J 1/10 -CP |
| MAIN-P.W.Board | | | R5044 | 06S55365Y41 | RES,RK 101J 1/10 -CP |
| MAIN-P.W.Board | | | R5045 | 06S45674W41 | RES,RK 221J 1/10 -CP |
| MAIN-P.W.Board | | | R5046 | 06S45674W79 | RES,RK 822J 1/10 -CP |
| MAIN-P.W.Board | | | R5047 | 06S45674W79 | RES,RK 822J 1/10 -CP |
| MAIN-P.W.Board | | | R5048 | 06S15593Y41 | RES,RK 471F 1/10 -CP |
| MAIN-P.W.Board | | | R5049 | 06S15593Y91 | RES,RK 563F 1/10 -CP |
| MAIN-P.W.Board | | | R5050 | 06S15593Y41 | RES,RK 471F 1/10 -CP |
| MAIN-P.W.Board | | #1 | R5051 | 06S45675W43 | RES,RK JUMPER1/10-CP |
| MAIN-P.W.Board | | \$1 | R5052 | 06S45675W43 | RES,RK JUMPER1/10-CP |
| MAIN-P.W.Board | | %1 | R5053 | 06S45675W43 | RES,RK JUMPER1/10-CP |
| MAIN-P.W.Board | | | R5100 | 06S45675W22 | RES,RK 474J 1/10 -CP |
| MAIN-P.W.Board | | | R5101 | 06S45675W22 | RES,RK 474J 1/10 -CP |
| MAIN-P.W.Board | | | R5102 | 06S45674W89 | RES,RK 223J 1/10 -CP |
| MAIN-P.W.Board | | | R5103 | 06S70072F29 | RES,CP .101-J-1/4-CP |
| MAIN-P.W.Board | | | R5104 | 06S45674W65 | RES,RK 222J 1/10 -CP |
| MAIN-P.W.Board | | | R5105 | 06S45674W69 | RES,RK 332J 1/10 -CP |
| MAIN-P.W.Board | | | R5106 | 06S45674W89 | RES,RK 223J 1/10 -CP |
| MAIN-P.W.Board | | | R5107 | 06S45674W57 | RES,RK 102J 1/10 -CP |
| MAIN-P.W.Board | | | R5200 | 06S45674W69 | RES,RK 332J 1/10 -CP |
| MAIN-P.W.Board | | | R5201 | 06S45674W81 | RES,RK 103J 1/10 -CP |
| MAIN-P.W.Board | | | R5202 | 06S45674W77 | RES,RK 682J 1/10 -CP |
| MAIN-P.W.Board | | | R5203 | 06S45674W81 | RES,RK 103J 1/10 -CP |
| MAIN-P.W.Board | | | R5204 | 06S45674W81 | RES,RK 103J 1/10 -CP |
| MAIN-P.W.Board | | | R5205 | 06S45674W73 | RES,RK 472J 1/10 -CP |
| MAIN-P.W.Board | | | R5206 | 06S45674W77 | RES,RK 682J 1/10 -CP |
| MAIN-P.W.Board | | | R5207 | 06S45674W59 | RES,RK 122J 1/10 -CP |
| MAIN-P.W.Board | | | R5208 | 06S45674W81 | RES,RK 103J 1/10 -CP |
| MAIN-P.W.Board | | | R5209 | 06S45674W81 | RES,RK 103J 1/10 -CP |
| MAIN-P.W.Board | | | R5210 | 06S70072F19 | RES,CP .39R-J-1/4-CP |
| MAIN-P.W.Board | | | R5211 | 06S70072F19 | RES,CP .39R-J-1/4-CP |
| MAIN-P.W.Board | | | R5212 | 06S70072F19 | RES,CP .39R-J-1/4-CP |

Mark Model Code

#1 CDA-117 Only,

\$1 CDA-117E(General Foreign) Only,

%1 CDA-117E(Chinese) Only,

Others:Common.

NOTE:The part that has not PART NUMBER will not be supplied.

| P.W.Board | MIS | MODEL | Ref. | Parts No. | Parts Name |
|----------------|-----|-------|-----------------------|-------------|----------------------|
| MAIN-P.W.Board | | | R5213 | 06S70072F05 | RES,CP .10R-J-1/4-CP |
| MAIN-P.W.Board | | | R5214 | 06S70072F19 | RES,CP .39R-J-1/4-CP |
| MAIN-P.W.Board | | | R5215 | 06S45674W65 | RES,RK 222J 1/10 -CP |
| MAIN-P.W.Board | | | R5216 | 06S45674W61 | RES,RK 152J 1/10 -CP |
| MAIN-P.W.Board | | | R5217 | 06S45674W61 | RES,RK 152J 1/10 -CP |
| MAIN-P.W.Board | | | R5218 | 06S45674W65 | RES,RK 222J 1/10 -CP |
| MAIN-P.W.Board | | | R5219 | 06S45674W77 | RES,RK 682J 1/10 -CP |
| MAIN-P.W.Board | | | R5500 | 06S55365Y81 | RES,RK 472J 1/10 -CP |
| MAIN-P.W.Board | | | R5501 | 06S70072F53 | RES,CP .102-J-1/4-CP |
| MAIN-P.W.Board | | | R5502 | 06S70072F53 | RES,CP .102-J-1/4-CP |
| MAIN-P.W.Board | | | R5503 | 06S55366Y06 | RES,RK 473J 1/10 -CP |
| MAIN-P.W.Board | | | R5504 | 06S55365Y97 | RES,RK 223J 1/10 -CP |
| MAIN-P.W.Board | | | R5505 | 06S70072F53 | RES,CP .102-J-1/4-CP |
| MAIN-P.W.Board | | | R5506 | 06S70072F53 | RES,CP .102-J-1/4-CP |
| MAIN-P.W.Board | | | R5507 | 06S70072F53 | RES,CP .102-J-1/4-CP |
| MAIN-P.W.Board | | | R5600 | 06S64995F53 | RES,RK 102J 1/8 -CP |
| MAIN-P.W.Board | | | R5601 | 06S64995F53 | RES,RK 102J 1/8 -CP |
| MAIN-P.W.Board | | | R5602 | 06S64995F53 | RES,RK 102J 1/8 -CP |
| MAIN-P.W.Board | | | R5603 | 06S64995F53 | RES,RK 102J 1/8 -CP |
| MAIN-P.W.Board | | | R5604 | 06S64995F53 | RES,RK 102J 1/8 -CP |
| MAIN-P.W.Board | | | R5605 | 06S64995F53 | RES,RK 102J 1/8 -CP |
| MAIN-P.W.Board | | | R5606 | 06S64995F53 | RES,RK 102J 1/8 -CP |
| MAIN-P.W.Board | | | R5607 | 06S64995F53 | RES,RK 102J 1/8 -CP |
| MAIN-P.W.Board | | | R5608 | 06S64995F53 | RES,RK 102J 1/8 -CP |
| MAIN-P.W.Board | | | R5609 | 06S64995F53 | RES,RK 102J 1/8 -CP |
| MAIN-P.W.Board | | | R5610 | 06S55365Y97 | RES,RK 223J 1/10 -CP |
| MAIN-P.W.Board | | | R5611 | 06S55363Y97 | RES,RK 223J 1/8 -CP |
| MAIN-P.W.Board | | | R5612 | 06S55363Y89 | RES,RK 103J 1/8 -CP |
| MAIN-P.W.Board | | | R5613 | 06S55366Y14 | RES,RK 104J 1/10 -CP |
| MAIN-P.W.Board | | | R5614 | 06S55366Y06 | RES,RK 473J 1/10 -CP |
| MAIN-P.W.Board | | | R5615 | 06S70072F61 | RES,CP .222-J-1/4-CP |
| MAIN-P.W.Board | | | R5616 | 06S55365Y89 | RES,RK 103J 1/10 -CP |
| MAIN-P.W.Board | | | R5617 | 06S55365Y87 | RES,RK 822J 1/10 -CP |
| MAIN-P.W.Board | | | R5618 | 06S35083Y02 | RES,RK 12RF 1/4 -CP |
| MAIN-P.W.Board | | | R5619 | 06S55365Y89 | RES,RK 103J 1/10 -CP |
| MAIN-P.W.Board | | | R5620 | 06S70072F69 | RES,CP .472-J-1/4-CP |
| MAIN-P.W.Board | | | R5621 | 06S70072F98 | RES,RK 223J 1/4 -CP |
| MAIN-P.W.Board | | | R5622 | 06S70072F78 | RES,CP .2R2-J-1/4-CP |
| MAIN-P.W.Board | | | R5624 | 06S70072F59 | RES,CP .182-J-1/4-CP |
| MAIN-P.W.Board | | | R5625 | 06S45674W97 | RES,RK 473J 1/10 -CP |
| MAIN-P.W.Board | | | R5626 | 06S45674W81 | RES,RK 103J 1/10 -CP |
| MAIN-P.W.Board | | | R5627 | 06S45674W81 | RES,RK 103J 1/10 -CP |

Mark Model Code

#1 CDA-117 Only,

\$1 CDA-117E(General Foreign) Only,

%1 CDA-117E(Chinese) Only,

Others:Common.

NOTE:The part that has not PART NUMBER will not be supplied.

| P.W.Board | MIS | MODEL | Ref. | Parts No. | Parts Name |
|----------------|-----|-------|-----------------------|-------------|----------------------|
| MAIN-P.W.Board | | | R6001 | 06S45674W33 | RES,RK 101J 1/10 -CP |
| MAIN-P.W.Board | | | R6002 | 06S45674W33 | RES,RK 101J 1/10 -CP |
| MAIN-P.W.Board | | | R6003 | 06S45674W33 | RES,RK 101J 1/10 -CP |
| MAIN-P.W.Board | | | R6004 | 06S45675W43 | RES,RK JUMPER1/10-CP |
| MAIN-P.W.Board | | | R6005 | 06S65415Y49 | RES,RK 104F 1/16 -CP |
| MAIN-P.W.Board | | | R6006 | 06S65415Y49 | RES,RK 104F 1/16 -CP |
| MAIN-P.W.Board | | | R6007 | 06S15615Y01 | RES,RK 10RJ 1/16 -CP |
| MAIN-P.W.Board | | #1 | R6008 | 06S45674W33 | RES,RK 101J 1/10 -CP |
| MAIN-P.W.Board | | | R6009 | 06S45674W33 | RES,RK 101J 1/10 -CP |
| MAIN-P.W.Board | | | R6010 | 06S45674W33 | RES,RK 101J 1/10 -CP |
| MAIN-P.W.Board | | | R6011 | 06S45674W33 | RES,RK 101J 1/10 -CP |
| MAIN-P.W.Board | | | R6012 | 06S45674W73 | RES,RK 472J 1/10 -CP |
| MAIN-P.W.Board | | | R6013 | 06S45674W73 | RES,RK 472J 1/10 -CP |
| MAIN-P.W.Board | | | R6014 | 06S15615Y31 | RES,RK 181J 1/16 -CP |
| MAIN-P.W.Board | | | R6015 | 06S45674W33 | RES,RK 101J 1/10 -CP |
| MAIN-P.W.Board | | | R6016 | 06S15615Y31 | RES,RK 181J 1/16 -CP |
| MAIN-P.W.Board | | | R6017 | 06S45674W73 | RES,RK 472J 1/10 -CP |
| MAIN-P.W.Board | | | R6018 | 06S45674W73 | RES,RK 472J 1/10 -CP |
| MAIN-P.W.Board | | | R6019 | 06S45674W81 | RES,RK 103J 1/10 -CP |
| MAIN-P.W.Board | | | R6020 | 06S45674W81 | RES,RK 103J 1/10 -CP |
| MAIN-P.W.Board | | | R6021 | 06S45674W81 | RES,RK 103J 1/10 -CP |
| MAIN-P.W.Board | | | R6022 | 06S45675W43 | RES,RK JUMPER1/10-CP |
| MAIN-P.W.Board | | | R6023 | 06S45675W43 | RES,RK JUMPER1/10-CP |
| MAIN-P.W.Board | | | R6024 | 06S45674W81 | RES,RK 103J 1/10 -CP |
| MAIN-P.W.Board | | | R6025 | 06S45675W43 | RES,RK JUMPER1/10-CP |
| MAIN-P.W.Board | | | R6026 | 06S65415Y34 | RES,RK 562F 1/16 -CP |
| MAIN-P.W.Board | | | R6027 | 06S45674W17 | RES,RK 22RJ 1/10 -CP |
| MAIN-P.W.Board | | | R6028 | 06S45674W73 | RES,RK 472J 1/10 -CP |
| MAIN-P.W.Board | | | R6029 | 06S45674W33 | RES,RK 101J 1/10 -CP |
| MAIN-P.W.Board | | | R6030 | 06S45674W33 | RES,RK 101J 1/10 -CP |
| MAIN-P.W.Board | | | R6031 | 06S45674W33 | RES,RK 101J 1/10 -CP |
| MAIN-P.W.Board | | | R6036 | 06S65415Y34 | RES,RK 562F 1/16 -CP |
| MAIN-P.W.Board | | | R6100 | 06S70072F05 | RES,CP .10R-J-1/4-CP |
| MAIN-P.W.Board | | | R6101 | 06S35084Y35 | RES,RK 682F 1/8 -CP |
| MAIN-P.W.Board | | | R6107 | 06S45675W43 | RES,RK JUMPER1/10-CP |
| MAIN-P.W.Board | | | R6108 | 06S45675W43 | RES,RK JUMPER1/10-CP |
| MAIN-P.W.Board | | | R6200 | 06S70072F99 | RES,RK 273J 1/4 -CP |
| MAIN-P.W.Board | | | R8001 | 06S70072F39 | RES,CP .271-J-1/4-CP |
| MAIN-P.W.Board | | | R8002 | 06S70072F39 | RES,CP .271-J-1/4-CP |
| MAIN-P.W.Board | | | R8003 | 06S35083Y41 | RES,RK 223F 1/4 -CP |
| MAIN-P.W.Board | | | R8004 | 06S35083Y44 | RES,RK 393F 1/4 -CP |
| MAIN-P.W.Board | | | R8005 | 06S70072F77 | RES,CP .103-J-1/4-CP |

Mark Model Code

#1 CDA-117 Only,

\$1 CDA-117E(General Foreign) Only,

%1 CDA-117E(Chinese) Only,

Others:Common.

NOTE:The part that has not PART NUMBER will not be supplied.

| P.W.Board | MIS | MODEL | Ref. | Parts No. | Parts Name |
|----------------|-----|-------|-----------------------|-------------|----------------------|
| MAIN-P.W.Board | | | R8006 | 06S55365Y83 | RES,RK 562J 1/10 -CP |
| MAIN-P.W.Board | | | R8007 | 06S55365Y83 | RES,RK 562J 1/10 -CP |
| MAIN-P.W.Board | | | R8008 | 06S35095Y16 | RES,RK 303J 1/4 -CP |
| MAIN-P.W.Board | | | R8009 | 06S45674W89 | RES,RK 223J 1/10 -CP |
| MAIN-P.W.Board | | | R8010 | 06S70072F58 | RES,CF .162-J-1/4-CP |
| MAIN-P.W.Board | | | R8011 | 06S70072F58 | RES,CF .162-J-1/4-CP |
| MAIN-P.W.Board | | | R8012 | 06S70072F58 | RES,CF .162-J-1/4-CP |
| MAIN-P.W.Board | | | R8013 | 06S70072F58 | RES,CF .162-J-1/4-CP |
| MAIN-P.W.Board | | | R8014 | 06S55365Y98 | RES,RK 243J 1/10 -CP |
| MAIN-P.W.Board | | | R8015 | 06S70072F58 | RES,CF .162-J-1/4-CP |
| MAIN-P.W.Board | | | R8016 | 06S45674W65 | RES,RK 222J 1/10 -CP |
| MAIN-P.W.Board | | | R8017 | 06S45674W81 | RES,RK 103J 1/10 -CP |
| MAIN-P.W.Board | | | R8018 | 06S70072F62 | RES,CP .242-J-1/4-CP |
| MAIN-P.W.Board | | | R8019 | 06S70072F70 | RES,CP .512-J-1/4-CP |
| MAIN-P.W.Board | | | R8020 | 06S70072F78 | RES,CP .2R2-J-1/4-CP |
| MAIN-P.W.Board | | | R8021 | 06S70072F78 | RES,CP .2R2-J-1/4-CP |
| MAIN-P.W.Board | | | R8022 | 06S55366Y08 | RES,RK 563J 1/10 -CP |
| MAIN-P.W.Board | | | R8023 | 06S55366Y14 | RES,RK 104J 1/10 -CP |
| MAIN-P.W.Board | | | R8024 | 06S70072F39 | RES,CP .271-J-1/4-CP |
| MAIN-P.W.Board | | | R8025 | 06S70072F78 | RES,CP .2R2-J-1/4-CP |
| MAIN-P.W.Board | | | R8026 | 06S70072F47 | RES,CP .561-J-1/4-CP |
| MAIN-P.W.Board | | | R8027 | 06S45674W85 | RES,RK 153J 1/10 -CP |
| MAIN-P.W.Board | | | R8028 | 06S70072F77 | RES,CP .103-J-1/4-CP |
| MAIN-P.W.Board | | | R8029 | 06S45674W92 | RES,RK 303J 1/10 -CP |
| MAIN-P.W.Board | | | R8030 | 06S45674W81 | RES,RK 103J 1/10 -CP |
| MAIN-P.W.Board | | | R8031 | 06S70072F77 | RES,CP .103-J-1/4-CP |
| MAIN-P.W.Board | | | R8032 | 06S55363Y89 | RES,RK 103J 1/8 -CP |
| MAIN-P.W.Board | | | R8033 | 06S70072F53 | RES,CP .102-J-1/4-CP |
| MAIN-P.W.Board | | | R8103 | 06S15593Y71 | RES,RK 822F 1/10 -CP |
| MAIN-P.W.Board | | | R8200 | 06S15593Y69 | RES,RK 682F 1/10 -CP |
| MAIN-P.W.Board | | | R8201 | 06S15593Y80 | RES,RK 203F 1/10 -CP |
| MAIN-P.W.Board | | | R8203 | 06S15593Y70 | RES,RK 752F 1/10 -CP |
| MAIN-P.W.Board | | | R8204 | 06S15593Y68 | RES,RK 622F 1/10 -CP |
| MAIN-P.W.Board | | | R8300 | 06S55364Y14 | RES,RK 104J 1/8 -CP |
| MAIN-P.W.Board | | | R8500 | 06S15593Y81 | RES,RK 223F 1/10 -CP |
| MAIN-P.W.Board | | | R8501 | 06S55366Y06 | RES,RK 473J 1/10 -CP |
| MAIN-P.W.Board | | | R8502 | 06S70072F78 | RES,CP .2R2-J-1/4-CP |
| MAIN-P.W.Board | | | R8503 | 06S70072F78 | RES,CP .2R2-J-1/4-CP |
| MAIN-P.W.Board | | | R8504 | 06S70072F90 | RES,CP .1R0-J-1/4-CP |
| MAIN-P.W.Board | | | R8505 | 06S70072F90 | RES,CP .1R0-J-1/4-CP |
| MAIN-P.W.Board | | | R8506 | 06S70072F90 | RES,CP .1R0-J-1/4-CP |
| MAIN-P.W.Board | | | R8507 | 06S70072F90 | RES,CP .1R0-J-1/4-CP |

Mark Model Code

#1 CDA-117 Only,

\$1 CDA-117E(General Foreign) Only,

%1 CDA-117E(Chinese) Only,

Others:Common.

NOTE:The part that has not PART NUMBER will not be supplied.

| P.W.Board | MIS | MODEL | Ref. | Parts No. | Parts Name |
|----------------|-----|-------|------------------------|-------------|----------------------|
| MAIN-P.W.Board | | | R8508 | 06S70072F49 | RES,CP .681-J-1/4-CP |
| MAIN-P.W.Board | | | R8509 | 06S70072F38 | RES,CP .241-J-1/4-CP |
| MAIN-P.W.Board | | | R8510 | 06S15593Y74 | RES,RK 113F 1/10 -CP |
| MAIN-P.W.Board | | | R8511 | 06S70072F35 | RES,CP .181-J-1/4-CP |
| MAIN-P.W.Board | | | R8512 | 06S15593Y65 | RES,RK 472F 1/10 -CP |
| MAIN-P.W.Board | | | R8513 | 06S15593Y61 | RES,RK 332F 1/10 -CP |
| MAIN-P.W.Board | | | R8514 | 06S55362Y39 | RES,RK JUMPER 1/4-CP |
| MAIN-P.W.Board | | | R8600 | 06S70072F35 | RES,CP .181-J-1/4-CP |
| MAIN-P.W.Board | | | R8601 | 06S70072F35 | RES,CP .181-J-1/4-CP |
| MAIN-P.W.Board | | | R8602 | 06S70072F35 | RES,CP .181-J-1/4-CP |
| MAIN-P.W.Board | | | R8603 | 06S15593Y90 | RES,RK 513F 1/10 -CP |
| MAIN-P.W.Board | | | R8604 | 06S15593Y76 | RES,RK 133F 1/10 -CP |
| MAIN-P.W.Board | | | R8605 | 06S15594Y10 | RES,RK 334F 1/10 -CP |
| MAIN-P.W.Board | | | R8607 | 06S15593Y49 | RES,RK 102F 1/10 -CP |
| MAIN-P.W.Board | | | R8608 | 06S15593Y57 | RES,RK 222F 1/10 -CP |
| MAIN-P.W.Board | | | R8609 | 06S15593Y96 | RES,RK 913F 1/10 -CP |
| MAIN-P.W.Board | | | R8610 | 06S15593Y93 | RES,RK 683F 1/10 -CP |
| MAIN-P.W.Board | | | R8611 | 06S15593Y89 | RES,RK 473F 1/10 -CP |
| MAIN-P.W.Board | | | R8613 | 06S70072F53 | RES,CP .102-J-1/4-CP |
| MAIN-P.W.Board | | | R8614 | 06S55365Y29 | RES,RK 33RJ 1/10 -CP |
| MAIN-P.W.Board | | | R8615 | 06S45674W33 | RES,RK 101J 1/10 -CP |
| MAIN-P.W.Board | | | RA4000 | 06S15771Y07 | RES,ARYEXB28V33RJ-CP |
| MAIN-P.W.Board | | | RA4001 | 06S15771Y07 | RES,ARYEXB28V33RJ-CP |
| MAIN-P.W.Board | | | RA4002 | 06S15771Y07 | RES,ARYEXB28V33RJ-CP |
| MAIN-P.W.Board | | | RA4003 | 06S15771Y07 | RES,ARYEXB28V33RJ-CP |
| MAIN-P.W.Board | | | RA4004 | 06S15771Y07 | RES,ARYEXB28V33RJ-CP |
| MAIN-P.W.Board | | | RA4005 | 06S15771Y07 | RES,ARYEXB28V33RJ-CP |
| MAIN-P.W.Board | | | RA4006 | 06S15771Y07 | RES,ARYEXB28V33RJ-CP |
| MAIN-P.W.Board | | | RA4007 | 06S15771Y07 | RES,ARYEXB28V33RJ-CP |
| MAIN-P.W.Board | | | RA4008 | 06S15771Y07 | RES,ARYEXB28V33RJ-CP |
| MAIN-P.W.Board | | | RA4009 | 06S15771Y07 | RES,ARYEXB28V33RJ-CP |
| MAIN-P.W.Board | | | RA4010 | 06S15771Y13 | RES,ARYEXB28V101J-CP |
| MAIN-P.W.Board | | | RA4011 | 06S15771Y29 | RES,ARYEXB28V222J-CP |
| MAIN-P.W.Board | | | RA4012 | 06S15771Y13 | RES,ARYEXB28V101J-CP |
| MAIN-P.W.Board | | | RA4013 | 06S15771Y41 | RES,ARYEXB28V223J-CP |
| MAIN-P.W.Board | | | RA5000 | 06S15771Y45 | RES,ARYEXB28V473J-CP |
| MAIN-P.W.Board | | | RA5001 | 06S15771Y07 | RES,ARYEXB28V33RJ-CP |
| MAIN-P.W.Board | | | SA6100 | 48-00954Z01 | VST,CSA30C201M-T -CP |
| MAIN-P.W.Board | | | SD2600 | 48T35138Y01 | DIO,SHT RB160L-40-E1 |
| MAIN-P.W.Board | | | SD2601 | 48T95294W01 | DIOSHT MA3X74000B-CP |
| MAIN-P.W.Board | | | SD8500 | 48T65122W01 | DIO,SHT SS14-6600-E1 |
| MAIN-P.W.Board | | | SD8600 | 48-13903Z01 | DIO,SHT RB055L-40-E1 |

Mark Model Code

#1 CDA-117 Only,

\$1 CDA-117E(General Foreign) Only,

%1 CDA-117E(Chinese) Only,

Others:Common.

NOTE:The part that has not PART NUMBER will not be supplied.

| P.W.Board | MIS | MODEL | Ref. | Parts No. | Parts Name |
|-----------------|-----|-------|------------------------|-------------|-----------------------|
| MAIN-P.W.Board | | | SD8601 | 48-06874Z03 | DIO,SHT MA24D52-TXE1 |
| MAIN-P.W.Board | | | SW2800 | 40T45282W02 | SW,SLIDE SLD-42-508X |
| MAIN-P.W.Board | | | SW2801 | 40T15452Y01 | SW,SLIDE SLD-62-724X |
| MAIN-P.W.Board | | | SW2802 | 40T45282W02 | SW,SLIDE SLD-42-508X |
| MAIN-P.W.Board | ⓔ | | SW5001 | 40T16096W03 | SW ,TACT SKHHLW |
| MAIN-P.W.Board | | | TH8500 | 48T25250Y06 | TMT,ERTJ1VR223G -CP |
| MAIN-P.W.Board | | | VR8600 | 18T25282Y28 | VAR,EVM3VVSX50 104-CP |
| MAIN-P.W.Board | | | VT6100 | 24T35286Y02 | IND,MG56 332J -DB |
| MAIN-P.W.Board | ⓔ | | VT8001 | 24-02502Z02 | ASSY,W277A001 -DB |
| MAIN-P.W.Board | | | XL4000 | 91-15988Z02 | XTL,NX3225GA 12.0-CP |
| MAIN-P.W.Board | | | XL5000 | 91-16093Z01 | XTL,NX3215SA 32.7-E1 |
| MAIN-P.W.Board | | | XL5001 | 91-16024Z05 | XTL,AT-41CD2 6.00-E9 |
| MAIN-P.W.Board | | | XL6000 | 91-15988Z07 | XTL,NX3225GA 41.6-CP |
| MAIN-P.W.Board | | | Z5000 | 91T65112W06 | EMI,BK2125HM102 -CP |
| MAIN-P.W.Board | | | Z6000 | 91T15509Y08 | EMI,BK1608HM102 -CP |
| MAIN-P.W.Board | | | Z6001 | 91T15509Y08 | EMI,BK1608HM102 -CP |
| MAIN-P.W.Board | | | Z6002 | 91T15509Y08 | EMI,BK1608HM102 -CP |
| MAIN-P.W.Board | | | Z6003 | 91T15509Y08 | EMI,BK1608HM102 -CP |
| MAIN-P.W.Board | | | Z6004 | 91T15509Y08 | EMI,BK1608HM102 -CP |
| MAIN-P.W.Board | | | Z6005 | 91T15509Y08 | EMI,BK1608HM102 -CP |
| MAIN-P.W.Board | | | Z6006 | 91T15509Y08 | EMI,BK1608HM102 -CP |
| MAIN-P.W.Board | | | Z6200 | 91T65112W04 | EMI,BK2125HS601 -CP |
| MAIN-P.W.Board | | | Z8600 | 91T65123Y02 | EMI,DLW21SN900SQ2-CP |
| MAIN-P.W.Board | | | ZD5600 | 48-11191Z35 | DIO,ZEN MAZ8082GM-CP |
| MAIN-P.W.Board | | | ZD8001 | 48-02592Z01 | DIO,ZEN Z5W27VJ -EA |
| MAIN-P.W.Board | | | ZD8002 | 48-11191Z26 | DIO,ZEN MAZ8062GM-CP |
| MAIN-P.W.Board | | | ZD8003 | 48-11191Z49 | DIO,ZEN MAZ8130GL-CP |
| MAIN-P.W.Board | | | ZD8004 | 48-11191Z42 | DIO,ZEN MAZ8100GH-CP |
| MAIN-P.W.Board | | | ZD8500 | 48-11191Z42 | DIO,ZEN MAZ8100GH-CP |
| MAIN-P.W.Board | | | ZD8602 | 48-12320Z01 | DIO,ZEN RSB12W-TL-CP |
| MAIN-P.W.Board | | | ZD8603 | 48-12320Z01 | DIO,ZEN RSB12W-TL-CP |
| FRONT-P.W.Board | | | C9002 | 08-02764Z07 | CAP,TF 105K-1E -CP |
| FRONT-P.W.Board | | | C9003 | 08S45232Y21 | CAP,CER 104K-X7R1ACP |
| FRONT-P.W.Board | | | C9004 | 08S65128F88 | CAP,CER 104K-B1H -CP |
| FRONT-P.W.Board | | | C9008 | 08S65128F78 | CAP,CER.223K-B1H -CP |
| FRONT-P.W.Board | | | C9009 | 08S35374W12 | CAP,CER 106K-B0J -CP |
| FRONT-P.W.Board | | | C9010 | 08-02764Z07 | CAP,TF 105K-1E -CP |
| FRONT-P.W.Board | | | C9011 | 08S45676W65 | CAP,CER.222K-B1H -CP |
| FRONT-P.W.Board | | | C9012 | 08S45677W12 | CAP,CER.10RD-CH1H-CP |
| FRONT-P.W.Board | | | C9013 | 08S45677W12 | CAP,CER.10RD-CH1H-CP |
| FRONT-P.W.Board | | | C9014 | 08S35374W01 | CAP,CER 104K-B1E-CP |

Mark Model Code


#1 CDA-117 Only,

\$1 CDA-117E(General Foreign) Only,

%1 CDA-117E(Chinese) Only,

Others:Common.

NOTE:The part that has not PART NUMBER will not be supplied.

| P.W.Board | MIS | MODEL | Ref. | Parts No. | Parts Name |
|-----------------|---|-------|------------------------|-------------|----------------------|
| FRONT-P.W.Board | | | C9015 | 08S35374W01 | CAP,CER 104K-B1E-CP |
| FRONT-P.W.Board | | | C9016 | 08S35374W01 | CAP,CER 104K-B1E-CP |
| FRONT-P.W.Board | | | C9017 | 08S35374W12 | CAP,CER 106K-B0J -CP |
| FRONT-P.W.Board | | | C9018 | 08S35374W12 | CAP,CER 106K-B0J -CP |
| FRONT-P.W.Board | | | C9021 | 08S45677W36 | CAP,CER.101J-CH1H-CP |
| FRONT-P.W.Board | | | C9022 | 08S35374W01 | CAP,CER 104K-B1E-CP |
| FRONT-P.W.Board | | | C9023 | 08S45676W93 | CAP,CER 224K-B1A -CP |
| FRONT-P.W.Board | | | C9024 | 08S65670Y04 | CAP,CER 475KX5R1E-CP |
| FRONT-P.W.Board |  | | CB9001 | 09-04216Z01 | BTB,DH16-P -B |
| FRONT-P.W.Board | | | CB9002 | 09-05087Z10 | FFC,IMSA9632S-30Y-ED |
| FRONT-P.W.Board | | | D9003 | 48-06707Z01 | DIO,MA3J147-TX -CP |
| FRONT-P.W.Board | | | D9004 | 48-06707Z01 | DIO,MA3J147-TX -CP |
| FRONT-P.W.Board | | | D9005 | 48-06707Z01 | DIO,MA3J147-TX -CP |
| FRONT-P.W.Board | | | D9006 | 48-06707Z01 | DIO,MA3J147-TX -CP |
| FRONT-P.W.Board | | | D9007 | 48-06707Z01 | DIO,MA3J147-TX -CP |
| FRONT-P.W.Board | | | D9008 | 48-12230Z01 | DIO,KDS226-RTK -CP |
| FRONT-P.W.Board | | | IC9001 | 83-17827Z04 | OFL,V1.000MFAL904A_R |
| FRONT-P.W.Board | | | IC9002 | 83-17827Z02 | OFL,V1.000MFAL904A_F |
| FRONT-P.W.Board | | | IC9003 | 51-11731Z01 | RPMS2381-H19-E4A-NE5 |
| FRONT-P.W.Board | | | L9001 | 24T95457W18 | FBI,BLM21PG221SH1-CP |
| FRONT-P.W.Board | | | LD9002 | 48-14200Z02 | LED,BLU LNJ926W8C-CP |
| FRONT-P.W.Board | | | LD9003 | 48-14200Z02 | LED,BLU LNJ926W8C-CP |
| FRONT-P.W.Board | | | LD9004 | 48-14200Z02 | LED,BLU LNJ926W8C-CP |
| FRONT-P.W.Board | | | LD9005 | 48-14200Z02 | LED,BLU LNJ926W8C-CP |
| FRONT-P.W.Board | | | LD9006 | 48-14200Z02 | LED,BLU LNJ926W8C-CP |
| FRONT-P.W.Board | | | LD9007 | 48-14200Z02 | LED,BLU LNJ926W8C-CP |
| FRONT-P.W.Board | | | LD9008 | 48-14200Z02 | LED,BLU LNJ926W8C-CP |
| FRONT-P.W.Board | | | LD9009 | 48-14200Z02 | LED,BLU LNJ926W8C-CP |
| FRONT-P.W.Board | | | LD9010 | 48-14200Z02 | LED,BLU LNJ926W8C-CP |
| FRONT-P.W.Board | | | LD9011 | 48-14200Z02 | LED,BLU LNJ926W8C-CP |
| FRONT-P.W.Board | | | LD9012 | 48-14200Z02 | LED,BLU LNJ926W8C-CP |
| FRONT-P.W.Board | | | LD9013 | 48-14200Z02 | LED,BLU LNJ926W8C-CP |
| FRONT-P.W.Board | | | LD9014 | 48-14200Z02 | LED,BLU LNJ926W8C-CP |
| FRONT-P.W.Board | | \$1 | LD9016 | 48-15238Z01 | LED,RED SML-D13L8WCP |
| FRONT-P.W.Board | | %1 | LD9016 | 48-15238Z01 | LED,RED SML-D13L8WCP |
| FRONT-P.W.Board | | \$1 | LD9017 | 48-15238Z01 | LED,RED SML-D13L8WCP |
| FRONT-P.W.Board | | %1 | LD9017 | 48-15238Z01 | LED,RED SML-D13L8WCP |
| FRONT-P.W.Board | | \$1 | LD9018 | 48-15238Z01 | LED,RED SML-D13L8WCP |
| FRONT-P.W.Board | | %1 | LD9018 | 48-15238Z01 | LED,RED SML-D13L8WCP |
| FRONT-P.W.Board | | \$1 | LD9019 | 48-15238Z01 | LED,RED SML-D13L8WCP |
| FRONT-P.W.Board | | %1 | LD9019 | 48-15238Z01 | LED,RED SML-D13L8WCP |
| FRONT-P.W.Board | | \$1 | LD9020 | 48-15238Z01 | LED,RED SML-D13L8WCP |

Mark Model Code

#1 CDA-117 Only,

\$1 CDA-117E(General Foreign) Only,

%1 CDA-117E(Chinese) Only,

Others:Common.

NOTE:The part that has not PART NUMBER will not be supplied.

| P.W.Board | MIS | MODEL | Ref. | Parts No. | Parts Name |
|-----------------|-----|-------|------------------------|-------------|----------------------|
| FRONT-P.W.Board | | %1 | LD9020 | 48-15238Z01 | LED,RED SML-D13L8WCP |
| FRONT-P.W.Board | | \$1 | LD9021 | 48-15238Z01 | LED,RED SML-D13L8WCP |
| FRONT-P.W.Board | | %1 | LD9021 | 48-15238Z01 | LED,RED SML-D13L8WCP |
| FRONT-P.W.Board | | \$1 | LD9022 | 48-15238Z01 | LED,RED SML-D13L8WCP |
| FRONT-P.W.Board | | %1 | LD9022 | 48-15238Z01 | LED,RED SML-D13L8WCP |
| FRONT-P.W.Board | | \$1 | LD9023 | 48-15238Z01 | LED,RED SML-D13L8WCP |
| FRONT-P.W.Board | | %1 | LD9023 | 48-15238Z01 | LED,RED SML-D13L8WCP |
| FRONT-P.W.Board | | \$1 | LD9024 | 48-15238Z01 | LED,RED SML-D13L8WCP |
| FRONT-P.W.Board | | %1 | LD9024 | 48-15238Z01 | LED,RED SML-D13L8WCP |
| FRONT-P.W.Board | | \$1 | LD9025 | 48-15238Z01 | LED,RED SML-D13L8WCP |
| FRONT-P.W.Board | | %1 | LD9025 | 48-15238Z01 | LED,RED SML-D13L8WCP |
| FRONT-P.W.Board | | \$1 | LD9026 | 48-15238Z01 | LED,RED SML-D13L8WCP |
| FRONT-P.W.Board | | %1 | LD9026 | 48-15238Z01 | LED,RED SML-D13L8WCP |
| FRONT-P.W.Board | | \$1 | LD9027 | 48-15238Z01 | LED,RED SML-D13L8WCP |
| FRONT-P.W.Board | | %1 | LD9027 | 48-15238Z01 | LED,RED SML-D13L8WCP |
| FRONT-P.W.Board | | \$1 | LD9028 | 48-15238Z01 | LED,RED SML-D13L8WCP |
| FRONT-P.W.Board | | %1 | LD9028 | 48-15238Z01 | LED,RED SML-D13L8WCP |
| FRONT-P.W.Board | | | LD9029 | 48-14200Z02 | LED,BLU LNJ926W8C-CP |
| FRONT-P.W.Board | | \$1 | LD9030 | 48-15238Z01 | LED,RED SML-D13L8WCP |
| FRONT-P.W.Board | | %1 | LD9030 | 48-15238Z01 | LED,RED SML-D13L8WCP |
| FRONT-P.W.Board | | \$1 | LD9031 | 48-15238Z01 | LED,RED SML-D13L8WCP |
| FRONT-P.W.Board | | %1 | LD9031 | 48-15238Z01 | LED,RED SML-D13L8WCP |
| FRONT-P.W.Board | | \$1 | LD9032 | 48-15238Z01 | LED,RED SML-D13L8WCP |
| FRONT-P.W.Board | | %1 | LD9032 | 48-15238Z01 | LED,RED SML-D13L8WCP |
| FRONT-P.W.Board | | \$1 | LD9033 | 48-15238Z01 | LED,RED SML-D13L8WCP |
| FRONT-P.W.Board | | %1 | LD9033 | 48-15238Z01 | LED,RED SML-D13L8WCP |
| FRONT-P.W.Board | | \$1 | LD9034 | 48-15238Z01 | LED,RED SML-D13L8WCP |
| FRONT-P.W.Board | | %1 | LD9034 | 48-15238Z01 | LED,RED SML-D13L8WCP |
| FRONT-P.W.Board | | \$1 | LD9035 | 48-15238Z01 | LED,RED SML-D13L8WCP |
| FRONT-P.W.Board | | %1 | LD9035 | 48-15238Z01 | LED,RED SML-D13L8WCP |
| FRONT-P.W.Board | | | LD9036 | 48-14200Z02 | LED,BLU LNJ926W8C-CP |
| FRONT-P.W.Board | | | LD9037 | 48-14200Z02 | LED,BLU LNJ926W8C-CP |
| FRONT-P.W.Board | | | LD9038 | 48-14200Z02 | LED,BLU LNJ926W8C-CP |
| FRONT-P.W.Board | | | LD9039 | 48-14200Z02 | LED,BLU LNJ926W8C-CP |
| FRONT-P.W.Board | | | LD9040 | 48-14200Z02 | LED,BLU LNJ926W8C-CP |
| FRONT-P.W.Board | | | LD9041 | 48-14200Z02 | LED,BLU LNJ926W8C-CP |
| FRONT-P.W.Board | | | LD9050 | 48-15238Z01 | LED,RED SML-D13L8WCP |
| FRONT-P.W.Board | | \$1 | Q9001 | 48-13059Z01 | TR,KTC2875-B-RTK -CP |
| FRONT-P.W.Board | | %1 | Q9001 | 48-13059Z01 | TR,KTC2875-B-RTK -CP |
| FRONT-P.W.Board | | | Q9002 | 48-13059Z01 | TR,KTC2875-B-RTK -CP |
| FRONT-P.W.Board | | | Q9004 | 48-13059Z01 | TR,KTC2875-B-RTK -CP |
| FRONT-P.W.Board | | | Q9006 | 48T73022F01 | TR ,2SB766A -E2 |

Mark Model Code

#1 CDA-117 Only,

\$1 CDA-117E(General Foreign) Only,

%1 CDA-117E(Chinese) Only,

Others:Common.

NOTE:The part that has not PART NUMBER will not be supplied.

| P.W.Board | MIS | MODEL | Ref. | Parts No. | Parts Name |
|-----------------|-----|-------|-----------------------|-------------|----------------------|
| FRONT-P.W.Board | | | Q9007 | 48T94582F01 | TR,2SC4081-Q -CP |
| FRONT-P.W.Board | | | Q9008 | 48-04982Z03 | TR,KRC403-RTK -CP |
| FRONT-P.W.Board | | | Q9009 | 48-04929Z05 | TR,KRC105S-RTK -CP |
| FRONT-P.W.Board | | \$1 | Q9010 | 48-11160Z01 | TR,2SC5950G0L-TX -CP |
| FRONT-P.W.Board | | %1 | Q9010 | 48-11160Z01 | TR,2SC5950G0L-TX -CP |
| FRONT-P.W.Board | | | Q9012 | 48-11160Z01 | TR,2SC5950G0L-TX -CP |
| FRONT-P.W.Board | | | Q9016 | 48-04929Z05 | TR,KRC105S-RTK -CP |
| FRONT-P.W.Board | | | R9001 | 06S45674W81 | RES,RK 103J 1/10 -CP |
| FRONT-P.W.Board | | | R9003 | 06S45674W33 | RES,RK 101J 1/10 -CP |
| FRONT-P.W.Board | | | R9004 | 06S45674W33 | RES,RK 101J 1/10 -CP |
| FRONT-P.W.Board | | | R9005 | 06S45674W33 | RES,RK 101J 1/10 -CP |
| FRONT-P.W.Board | | | R9007 | 06S45674W81 | RES,RK 103J 1/10 -CP |
| FRONT-P.W.Board | | | R9008 | 06S70072F59 | RES,CP .182-J-1/4-CP |
| FRONT-P.W.Board | | | R9009 | 06S45674W81 | RES,RK 103J 1/10 -CP |
| FRONT-P.W.Board | | | R9011 | 06S70072F54 | RES,CP .112-J-1/4-CP |
| FRONT-P.W.Board | | | R9012 | 06S70072F54 | RES,CP .112-J-1/4-CP |
| FRONT-P.W.Board | | | R9013 | 06S70072F53 | RES,CP .102-J-1/4-CP |
| FRONT-P.W.Board | | | R9014 | 06S70072F47 | RES,CP .561-J-1/4-CP |
| FRONT-P.W.Board | | | R9015 | 06S45674W81 | RES,RK 103J 1/10 -CP |
| FRONT-P.W.Board | | | R9016 | 06S70072F59 | RES,CP .182-J-1/4-CP |
| FRONT-P.W.Board | | | R9017 | 06S45674W63 | RES,RK 182J 1/10 -CP |
| FRONT-P.W.Board | | | R9018 | 06S45674W81 | RES,RK 103J 1/10 -CP |
| FRONT-P.W.Board | | \$1 | R9019 | 06S45674W69 | RES,RK 332J 1/10 -CP |
| FRONT-P.W.Board | | %1 | R9019 | 06S45674W69 | RES,RK 332J 1/10 -CP |
| FRONT-P.W.Board | | | R9020 | 06S70072F61 | RES,CP .222-J-1/4-CP |
| FRONT-P.W.Board | | \$1 | R9022 | 06S70072F63 | RES,CP .272-J-1/4-CP |
| FRONT-P.W.Board | | %1 | R9022 | 06S70072F63 | RES,CP .272-J-1/4-CP |
| FRONT-P.W.Board | | | R9023 | 06S70072F61 | RES,CP .222-J-1/4-CP |
| FRONT-P.W.Board | | \$1 | R9024 | 06S70072F54 | RES,CP .112-J-1/4-CP |
| FRONT-P.W.Board | | %1 | R9024 | 06S70072F54 | RES,CP .112-J-1/4-CP |
| FRONT-P.W.Board | | \$1 | R9025 | 06S45674W61 | RES,RK 152J 1/10 -CP |
| FRONT-P.W.Board | | %1 | R9025 | 06S45674W61 | RES,RK 152J 1/10 -CP |
| FRONT-P.W.Board | | | R9026 | 06S45674W97 | RES,RK 473J 1/10 -CP |
| FRONT-P.W.Board | | \$1 | R9027 | 06S70072F55 | RES,CP .122-J-1/4-CP |
| FRONT-P.W.Board | | %1 | R9027 | 06S70072F55 | RES,CP .122-J-1/4-CP |
| FRONT-P.W.Board | | \$1 | R9028 | 06S70072F55 | RES,CP .122-J-1/4-CP |
| FRONT-P.W.Board | | %1 | R9028 | 06S70072F55 | RES,CP .122-J-1/4-CP |
| FRONT-P.W.Board | | | R9029 | 06S70072F65 | RES,CP .332-J-1/4-CP |
| FRONT-P.W.Board | | | R9030 | 06S45674W97 | RES,RK 473J 1/10 -CP |
| FRONT-P.W.Board | | \$1 | R9031 | 06S70072F49 | RES,CP .681-J-1/4-CP |
| FRONT-P.W.Board | | %1 | R9031 | 06S70072F49 | RES,CP .681-J-1/4-CP |
| FRONT-P.W.Board | | | R9032 | 06S45674W90 | RES,RK 243J 1/10 -CP |

Mark Model Code

#1 CDA-117 Only,

\$1 CDA-117E(General Foreign) Only,

%1 CDA-117E(Chinese) Only,

Others:Common.

NOTE:The part that has not PART NUMBER will not be supplied.

| P.W.Board | MIS | MODEL | Ref. | Parts No. | Parts Name |
|-----------------|-----|-------|-----------------------|-------------|----------------------|
| FRONT-P.W.Board | | | R9033 | 06S70072F65 | RES,CP .332-J-1/4-CP |
| FRONT-P.W.Board | | | R9034 | 06S45674W73 | RES,RK 472J 1/10 -CP |
| FRONT-P.W.Board | | | R9035 | 06S45674W69 | RES,RK 332J 1/10 -CP |
| FRONT-P.W.Board | | | R9036 | 06S45674W57 | RES,RK 102J 1/10 -CP |
| FRONT-P.W.Board | | | R9037 | 06S70072F73 | RES,CP .682-J-1/4-CP |
| FRONT-P.W.Board | | #1 | R9038 | 06S45675W43 | RES,RK JUMPER1/10-CP |
| FRONT-P.W.Board | | \$1 | R9039 | 06S45675W43 | RES,RK JUMPER1/10-CP |
| FRONT-P.W.Board | | %1 | R9040 | 06S45675W43 | RES,RK JUMPER1/10-CP |
| FRONT-P.W.Board | | | R9043 | 06S45674W33 | RES,RK 101J 1/10 -CP |
| FRONT-P.W.Board | | | R9044 | 06S64995F53 | RES,RK 102J 1/8 -CP |
| FRONT-P.W.Board | | | R9045 | 06S64995F53 | RES,RK 102J 1/8 -CP |
| FRONT-P.W.Board | | | R9046 | 06S45674W89 | RES,RK 223J 1/10 -CP |
| FRONT-P.W.Board | | | R9047 | 06S45674W89 | RES,RK 223J 1/10 -CP |
| FRONT-P.W.Board | | | R9049 | 06S45674W89 | RES,RK 223J 1/10 -CP |
| FRONT-P.W.Board | | | R9051 | 06S45674W89 | RES,RK 223J 1/10 -CP |
| FRONT-P.W.Board | | | R9052 | 06S45674W65 | RES,RK 222J 1/10 -CP |
| FRONT-P.W.Board | | | R9053 | 06S45674W89 | RES,RK 223J 1/10 -CP |
| FRONT-P.W.Board | | | R9054 | 06S45674W89 | RES,RK 223J 1/10 -CP |
| FRONT-P.W.Board | | | R9055 | 06S45674W33 | RES,RK 101J 1/10 -CP |
| FRONT-P.W.Board | | | R9056 | 06S45674W33 | RES,RK 101J 1/10 -CP |
| FRONT-P.W.Board | | \$1 | R9061 | 06S70072F62 | RES,CP .242-J-1/4-CP |
| FRONT-P.W.Board | | %1 | R9061 | 06S70072F62 | RES,CP .242-J-1/4-CP |
| FRONT-P.W.Board | | | R9062 | 06S64995F75 | RES,RK 822J 1/8 -CP |
| FRONT-P.W.Board | | \$1 | R9063 | 06S70072F62 | RES,CP .242-J-1/4-CP |
| FRONT-P.W.Board | | %1 | R9063 | 06S70072F62 | RES,CP .242-J-1/4-CP |
| FRONT-P.W.Board | | | R9064 | 06S64995F75 | RES,RK 822J 1/8 -CP |
| FRONT-P.W.Board | | | R9065 | 06S45675W43 | RES,RK JUMPER1/10-CP |
| FRONT-P.W.Board | | | R9066 | 06S64995F75 | RES,RK 822J 1/8 -CP |
| FRONT-P.W.Board | | | R9067 | 06S64995F75 | RES,RK 822J 1/8 -CP |
| FRONT-P.W.Board | | | R9068 | 06S45674W81 | RES,RK 103J 1/10 -CP |
| FRONT-P.W.Board | | | R9070 | 06S45674W71 | RES,RK 392J 1/10 -CP |
| FRONT-P.W.Board | | | R9071 | 06S70072F67 | RES,CP .392-J-1/4-CP |
| FRONT-P.W.Board | | | R9072 | 06S70072F67 | RES,CP .392-J-1/4-CP |
| FRONT-P.W.Board | | | R9074 | 06S45674W59 | RES,RK 122J 1/10 -CP |
| FRONT-P.W.Board | | | R9075 | 06S45674W59 | RES,RK 122J 1/10 -CP |
| FRONT-P.W.Board | | | R9076 | 06S45674W59 | RES,RK 122J 1/10 -CP |
| FRONT-P.W.Board | | | R9077 | 06S45674W59 | RES,RK 122J 1/10 -CP |
| FRONT-P.W.Board | | | R9079 | 06S45674W61 | RES,RK 152J 1/10 -CP |
| FRONT-P.W.Board | | | R9081 | 06S45674W61 | RES,RK 152J 1/10 -CP |
| FRONT-P.W.Board | | | R9082 | 06S45674W61 | RES,RK 152J 1/10 -CP |
| FRONT-P.W.Board | | | R9083 | 06S45674W61 | RES,RK 152J 1/10 -CP |
| FRONT-P.W.Board | | | R9084 | 06S45674W65 | RES,RK 222J 1/10 -CP |

Mark Model Code

#1 CDA-117 Only,

\$1 CDA-117E(General Foreign) Only,

%1 CDA-117E(Chinese) Only,

Others:Common.

NOTE:The part that has not PART NUMBER will not be supplied.

| P.W.Board | MIS | MODEL | Ref. | Parts No. | Parts Name |
|-----------------|-----|-------|------------------------|-------------|-----------------------|
| FRONT-P.W.Board | | | R9085 | 06S45674W65 | RES,RK 222J 1/10 -CP |
| FRONT-P.W.Board | | | R9086 | 06S45674W65 | RES,RK 222J 1/10 -CP |
| FRONT-P.W.Board | | | R9087 | 06S45674W65 | RES,RK 222J 1/10 -CP |
| FRONT-P.W.Board | | | R9088 | 06S45674W69 | RES,RK 332J 1/10 -CP |
| FRONT-P.W.Board | | | R9090 | 06S45674W69 | RES,RK 332J 1/10 -CP |
| FRONT-P.W.Board | | | R9091 | 06S45674W69 | RES,RK 332J 1/10 -CP |
| FRONT-P.W.Board | | | R9092 | 06S45674W69 | RES,RK 332J 1/10 -CP |
| FRONT-P.W.Board | | | R9093 | 06S45674W75 | RES,RK 562J 1/10 -CP |
| FRONT-P.W.Board | | | R9094 | 06S70072F59 | RES,CP .182-J-1/4-CP |
| FRONT-P.W.Board | | | R9095 | 06S64995F53 | RES,RK 102J 1/8 -CP |
| FRONT-P.W.Board | | | R9096 | 06S64995F53 | RES,RK 102J 1/8 -CP |
| FRONT-P.W.Board | | | R9097 | 06S64995F53 | RES,RK 102J 1/8 -CP |
| FRONT-P.W.Board | | | R9098 | 06S64995F53 | RES,RK 102J 1/8 -CP |
| FRONT-P.W.Board | | | R9099 | 06S64995F53 | RES,RK 102J 1/8 -CP |
| FRONT-P.W.Board | | | R9100 | 06S64995F53 | RES,RK 102J 1/8 -CP |
| FRONT-P.W.Board | | | R9101 | 06S64995F53 | RES,RK 102J 1/8 -CP |
| FRONT-P.W.Board | | | R9103 | 06S64995F29 | RES,RK 101J 1/8 -CP |
| FRONT-P.W.Board | | | R9104 | 06S45674W81 | RES,RK 103J 1/10 -CP |
| FRONT-P.W.Board | | \$1 | R9106 | 06S45674W81 | RES,RK 103J 1/10 -CP |
| FRONT-P.W.Board | | %1 | R9106 | 06S45674W81 | RES,RK 103J 1/10 -CP |
| FRONT-P.W.Board | | \$1 | R9109 | 06S45674W81 | RES,RK 103J 1/10 -CP |
| FRONT-P.W.Board | | %1 | R9109 | 06S45674W81 | RES,RK 103J 1/10 -CP |
| FRONT-P.W.Board | | \$1 | R9110 | 06S70072F59 | RES,CP .182-J-1/4-CP |
| FRONT-P.W.Board | | %1 | R9110 | 06S70072F59 | RES,CP .182-J-1/4-CP |
| FRONT-P.W.Board | | | R9112 | 06S70072F51 | RES,CP .821-J-1/4-CP |
| FRONT-P.W.Board | | | R9113 | 06S70072F67 | RES,CP .392-J-1/4-CP |
| FRONT-P.W.Board | | | RA9001 | 06S45591W07 | RES,ARY MNR101J 4-CP |
| FRONT-P.W.Board | | | RA9002 | 06S45591W07 | RES,ARY MNR101J 4-CP |
| FRONT-P.W.Board | | | RA9003 | 06S45591W07 | RES,ARY MNR101J 4-CP |
| FRONT-P.W.Board | | | RA9004 | 06S45591W07 | RES,ARY MNR101J 4-CP |
| FRONT-P.W.Board | | | RA9005 | 06S45591W07 | RES,ARY MNR101J 4-CP |
| FRONT-P.W.Board | | | RA9006 | 06S45591W06 | RES,ARY MNR102J 4-CP |
| FRONT-P.W.Board | | | RA9007 | 06S45591W07 | RES,ARY MNR101J 4-CP |
| FRONT-P.W.Board | | | RA9008 | 06S45591W07 | RES,ARY MNR101J 4-CP |
| FRONT-P.W.Board | | | RA9009 | 06S45591W07 | RES,ARY MNR101J 4-CP |
| FRONT-P.W.Board | | | RA9010 | 06S45591W07 | RES,ARY MNR101J 4-CP |
| FRONT-P.W.Board | | | RA9011 | 06S45591W07 | RES,ARY MNR101J 4-CP |
| FRONT-P.W.Board | | | RA9012 | 06S45591W16 | RES,ARY MNR223J 4-CP |
| FRONT-P.W.Board | | | RA9013 | 06S45591W07 | RES,ARY MNR101J 4-CP |
| FRONT-P.W.Board | | | RR9111 | 06S70072F59 | RES,CP .182-J-1/4-CP |
| FRONT-P.W.Board | | | SW9001 | 40T65353Y01 | SW,TACT SKRSPACE010E2 |
| FRONT-P.W.Board | | | SW9002 | 40T65353Y01 | SW,TACT SKRSPACE010E2 |

Mark Model Code


#1 CDA-117 Only,

\$1 CDA-117E(General Foreign) Only,

%1 CDA-117E(Chinese) Only,

Others:Common.

NOTE:The part that has not PART NUMBER will not be supplied.

| P.W.Board | MIS | MODEL | Ref. | Parts No. | Parts Name |
|-----------------|---|-------|------------------------|-------------|-----------------------|
| FRONT-P.W.Board | | | SW9003 | 40T65353Y01 | SW,TACT SKRSPACE010E2 |
| FRONT-P.W.Board | | | SW9004 | 40T65353Y01 | SW,TACT SKRSPACE010E2 |
| FRONT-P.W.Board | | | SW9005 | 40T65353Y01 | SW,TACT SKRSPACE010E2 |
| FRONT-P.W.Board | | | SW9006 | 40T65353Y01 | SW,TACT SKRSPACE010E2 |
| FRONT-P.W.Board | | | SW9007 | 40T65353Y01 | SW,TACT SKRSPACE010E2 |
| FRONT-P.W.Board | | | SW9008 | 40T65353Y01 | SW,TACT SKRSPACE010E2 |
| FRONT-P.W.Board | | | SW9009 | 40T65353Y01 | SW,TACT SKRSPACE010E2 |
| FRONT-P.W.Board | | | SW9010 | 40T65353Y01 | SW,TACT SKRSPACE010E2 |
| FRONT-P.W.Board | | | SW9011 | 40T65353Y01 | SW,TACT SKRSPACE010E2 |
| FRONT-P.W.Board | | | SW9012 | 40T65353Y01 | SW,TACT SKRSPACE010E2 |
| FRONT-P.W.Board | | | SW9013 | 40T65353Y01 | SW,TACT SKRSPACE010E2 |
| FRONT-P.W.Board | | | SW9014 | 40T65353Y01 | SW,TACT SKRSPACE010E2 |
| FRONT-P.W.Board | | | SW9015 | 40T65353Y01 | SW,TACT SKRSPACE010E2 |
| FRONT-P.W.Board | | | SW9016 | 40T65353Y01 | SW,TACT SKRSPACE010E2 |
| FRONT-P.W.Board | | | SW9017 | 40T65353Y01 | SW,TACT SKRSPACE010E2 |
| FRONT-P.W.Board | | | SW9018 | 40T65353Y01 | SW,TACT SKRSPACE010E2 |
| FRONT-P.W.Board | | | SW9019 | 40T65353Y01 | SW,TACT SKRSPACE010E2 |
| FRONT-P.W.Board | | | SW9020 | 40T65353Y01 | SW,TACT SKRSPACE010E2 |
| FRONT-P.W.Board |  | | SW9021 | 40-10735Z02 | ENC,EC12D1524405 -DB |
| FRONT-P.W.Board | | | XL9001 | 91-10720Z04 | XTL,NX8045GB 6.0M-E5 |
| FRONT-P.W.Board | | | Z9001 | 91T15058Y07 | EMI,NFE31PT222Z1E-CP |
| FRONT-P.W.Board | | | Z9002 | 91T15058Y07 | EMI,NFE31PT222Z1E-CP |
| FRONT-P.W.Board | | | Z9003 | 91T15058Y07 | EMI,NFE31PT222Z1E-CP |
| FRONT-P.W.Board | | | ZD9002 | 48-11191Z11 | DIO,ZEN MAZ8039GL-CP |
| MECH-P.W.Board | | | C100 | 08S35349Y17 | CAP,CER 225K-B0J -CP |
| MECH-P.W.Board | | | C102 | 08S45232Y05 | CAP,CER 102K-B1H -CP |
| MECH-P.W.Board | | | C103 | 08S35349Y15 | CAP,CER 474K-B1A -CP |
| MECH-P.W.Board | | | C104 | 08S45232Y05 | CAP,CER 102K-B1H -CP |
| MECH-P.W.Board | | | C105 | 08S35349Y15 | CAP,CER 474K-B1A -CP |
| MECH-P.W.Board | | | C106 | 08S45232Y12 | CAP,CER 153K-B1C -CP |
| MECH-P.W.Board | | | C107 | 08S45232Y17 | CAP,CER 104K-B0J -CP |
| MECH-P.W.Board | | | C109 | 08S45232Y17 | CAP,CER 104K-B0J -CP |
| MECH-P.W.Board | | | C110 | 08S45232Y17 | CAP,CER 104K-B0J -CP |
| MECH-P.W.Board | | | C111 | 08S45232Y17 | CAP,CER 104K-B0J -CP |
| MECH-P.W.Board | | | C112 | 08T81833F12 | CAP,CER 106K-B1A -CP |
| MECH-P.W.Board | | | C113 | 08S45232Y14 | CAP,CER 333K-B1C -CP |
| MECH-P.W.Board | | | C114 | 08S45232Y14 | CAP,CER 333K-B1C -CP |
| MECH-P.W.Board | | | C115 | 08S45232Y08 | CAP,CER 332K-B1H -CP |
| MECH-P.W.Board | | | C116 | 08S45232Y10 | CAP,CER 682K-B1E -CP |
| MECH-P.W.Board | | | C117 | 08S45232Y14 | CAP,CER 333K-B1C -CP |
| MECH-P.W.Board | | | C118 | 08S45232Y11 | CAP,CER 103K-B1C -CP |
| MECH-P.W.Board | | | C119 | 08S45232Y17 | CAP,CER 104K-B0J -CP |

Mark Model Code

#1 CDA-117 Only,

\$1 CDA-117E(General Foreign) Only,

%1 CDA-117E(Chinese) Only,

Others:Common.

NOTE:The part that has not PART NUMBER will not be supplied.

| P.W.Board | MIS | MODEL | Ref. | Parts No. | Parts Name |
|----------------|-----|-------|----------------------|-------------|----------------------|
| MECH-P.W.Board | | | C120 | 08S45231Y21 | CAP,CER 47RJ-CH1H-CP |
| MECH-P.W.Board | | | C121 | 08S45232Y12 | CAP,CER 153K-B1C -CP |
| MECH-P.W.Board | | | C122 | 08S45232Y07 | CAP,CER 222K-B1H -CP |
| MECH-P.W.Board | | | C123 | 08S45232Y17 | CAP,CER 104K-B0J -CP |
| MECH-P.W.Board | | | C124 | 08S45232Y17 | CAP,CER 104K-B0J -CP |
| MECH-P.W.Board | | | C126 | 08S45676W85 | CAP,CER 104K-B1C -CP |
| MECH-P.W.Board | | | C127 | 08S45232Y08 | CAP,CER 332K-B1H -CP |
| MECH-P.W.Board | | | C131 | 08S45676W75 | CAP,CER.153K-B1H -CP |
| MECH-P.W.Board | | | C133 | 08S45232Y06 | CAP,CER 152K-B1H -CP |
| MECH-P.W.Board | | | C134 | 08S45231Y29 | CAP,CER 221J-CH1H-CP |
| MECH-P.W.Board | | | C135 | 08S45676W85 | CAP,CER 104K-B1C -CP |
| MECH-P.W.Board | | | C136 | 08S45231Y13 | CAP,CER 10RD-CH1H-CP |
| MECH-P.W.Board | | | C137 | 08S45231Y22 | CAP,CER 56RJ-CH1H-CP |
| MECH-P.W.Board | | | C138 | 08S45676W85 | CAP,CER 104K-B1C -CP |
| MECH-P.W.Board | | | C139 | 08S45676W66 | CAP,CER.272K-B1H -CP |
| MECH-P.W.Board | | | C140 | 08S45232Y17 | CAP,CER 104K-B0J -CP |
| MECH-P.W.Board | | | C141 | 08S45232Y17 | CAP,CER 104K-B0J -CP |
| MECH-P.W.Board | | | C146 | 08S45232Y14 | CAP,CER 333K-B1C -CP |
| MECH-P.W.Board | | | C147 | 08S45232Y08 | CAP,CER 332K-B1H -CP |
| MECH-P.W.Board | | | C148 | 08S45232Y08 | CAP,CER 332K-B1H -CP |
| MECH-P.W.Board | | | C149 | 08S45232Y08 | CAP,CER 332K-B1H -CP |
| MECH-P.W.Board | | | C151 | 08S45232Y05 | CAP,CER 102K-B1H -CP |
| MECH-P.W.Board | | | C152 | 08S35374W12 | CAP,CER 106K-B0J -CP |
| MECH-P.W.Board | | | C156 | 08S45231Y15 | CAP,CER 15RJ-CH1H-CP |
| MECH-P.W.Board | | | C157 | 08S45231Y15 | CAP,CER 15RJ-CH1H-CP |
| MECH-P.W.Board | | | C158 | 08S45231Y15 | CAP,CER 15RJ-CH1H-CP |
| MECH-P.W.Board | | | C159 | 08S35349Y17 | CAP,CER 225K-B0J -CP |
| MECH-P.W.Board | | | C160 | 08S35374W11 | CAP,CER 475K-B0J -CP |
| MECH-P.W.Board | | | C161 | 08S35374W12 | CAP,CER 106K-B0J -CP |
| MECH-P.W.Board | | | C166 | 08S45232Y14 | CAP,CER 333K-B1C -CP |
| MECH-P.W.Board | | | C167 | 08S35374W11 | CAP,CER 475K-B0J -CP |
| MECH-P.W.Board | | | C168 | 08S35374W12 | CAP,CER 106K-B0J -CP |
| MECH-P.W.Board | | | C169 | 08S45232Y17 | CAP,CER 104K-B0J -CP |
| MECH-P.W.Board | | | C170 | 08S45231Y11 | CAP,CER 8R0D-CH1H-CP |
| MECH-P.W.Board | | | C171 | 08S45231Y11 | CAP,CER 8R0D-CH1H-CP |
| MECH-P.W.Board | | | C172 | 08S45676W85 | CAP,CER 104K-B1C -CP |
| MECH-P.W.Board | | | C173 | 08S45232Y17 | CAP,CER 104K-B0J -CP |
| MECH-P.W.Board | | | C174 | 08S45232Y17 | CAP,CER 104K-B0J -CP |
| MECH-P.W.Board | | | C175 | 08S45232Y13 | CAP,CER 223K-B1C -CP |
| MECH-P.W.Board | | | C177 | 08S45232Y17 | CAP,CER 104K-B0J -CP |
| MECH-P.W.Board | | | C178 | 08S45232Y08 | CAP,CER 332K-B1H -CP |
| MECH-P.W.Board | | | C181 | 08S45232Y17 | CAP,CER 104K-B0J -CP |

Mark Model Code

#1 CDA-117 Only,

\$1 CDA-117E(General Foreign) Only,

%1 CDA-117E(Chinese) Only,

Others:Common.

NOTE:The part that has not PART NUMBER will not be supplied.

| P.W.Board | MIS | MODEL | Ref. | Parts No. | Parts Name |
|----------------|-----|-------|-----------------------|-------------|----------------------|
| MECH-P.W.Board | | | C184 | 08S35374W12 | CAP,CER 106K-B0J -CP |
| MECH-P.W.Board | | | C185 | 08S45232Y08 | CAP,CER 332K-B1H -CP |
| MECH-P.W.Board | | | C186 | 08S65670Y06 | CAP,CER 226KX5R1A-CP |
| MECH-P.W.Board | | | C188 | 08S65670Y06 | CAP,CER 226KX5R1A-CP |
| MECH-P.W.Board | | | C189 | 08S65670Y06 | CAP,CER 226KX5R1A-CP |
| MECH-P.W.Board | | | CB101 | 09-14040Z01 | BTB,IMSA9827B-40Y-ED |
| MECH-P.W.Board | | | CB102 | 09-10913Z02 | FFC,IMSA9663S-15Y-EQ |
| MECH-P.W.Board | | | CB103 | 09-10913Z04 | FFC,IMSA9663S-11Y-EQ |
| MECH-P.W.Board | | | E101 | 23-02425Z02 | CAP,ELY 47R-05 -E5 |
| MECH-P.W.Board | | | E102 | 23T65679Y11 | CAP,CD 47R-0J -E2 |
| MECH-P.W.Board | | | E103 | 23-02425Z04 | CAP,ELY 10R-1C -E5 |
| MECH-P.W.Board | | | IC101 | 51-16202Z01 | TC94A92FG-301 -QT |
| MECH-P.W.Board | | | IC104 | 51-01027Z01 | BA5830FP-E2 -SEA |
| MECH-P.W.Board | | | IC105 | 51-06963Z01 | NJU7741F15-TE1 -CP |
| MECH-P.W.Board | | | IC106 | 51-06963Z01 | NJU7741F15-TE1 -CP |
| MECH-P.W.Board | | | L101 | 24T95456W07 | FBI,BLM18BD102SH1-CP |
| MECH-P.W.Board | | | L102 | 24T95456W07 | FBI,BLM18BD102SH1-CP |
| MECH-P.W.Board | | | L103 | 24T95456W07 | FBI,BLM18BD102SH1-CP |
| MECH-P.W.Board | | | Q101 | 48T55462Y01 | TR,2SB1132-QR-100-E2 |
| MECH-P.W.Board | | | Q103 | 48T45251W09 | TR,UN521F-TX -CP |
| MECH-P.W.Board | | | Q104 | 48T73022F01 | TR ,2SB766A -E2 |
| MECH-P.W.Board | | | Q105 | 48T94606F06 | TR,DTC114EUA-T106-CP |
| MECH-P.W.Board | | | Q107 | 48T62966F23 | TR,DTA123YKA-T146-CP |
| MECH-P.W.Board | | | R100 | 06S15615Y89 | RES,RK 473J 1/16 -CP |
| MECH-P.W.Board | | | R101 | 06S45675W43 | RES,RK JUMPER1/10-CP |
| MECH-P.W.Board | | | R102 | 06S15615Y25 | RES,RK 101J 1/16 -CP |
| MECH-P.W.Board | | | R103 | 06S15615Y25 | RES,RK 101J 1/16 -CP |
| MECH-P.W.Board | | | R104 | 06S45675W30 | RES,RK 105J 1/10 -CP |
| MECH-P.W.Board | | | R105 | 06S45674W73 | RES,RK 472J 1/10 -CP |
| MECH-P.W.Board | | | R106 | 06S15615Y25 | RES,RK 101J 1/16 -CP |
| MECH-P.W.Board | | | R107 | 06S45675W43 | RES,RK JUMPER1/10-CP |
| MECH-P.W.Board | | | R108 | 06S15615Y25 | RES,RK 101J 1/16 -CP |
| MECH-P.W.Board | | | R109 | 06S70072F90 | RES,CP .1R0-J-1/4-CP |
| MECH-P.W.Board | | | R110 | 06S45675W43 | RES,RK JUMPER1/10-CP |
| MECH-P.W.Board | | | R111 | 06S45674W99 | RES,RK 563J 1/10 -CP |
| MECH-P.W.Board | | | R112 | 06S15615Y25 | RES,RK 101J 1/16 -CP |
| MECH-P.W.Board | | | R113 | 06S15615Y25 | RES,RK 101J 1/16 -CP |
| MECH-P.W.Board | | | R126 | 06S45675W43 | RES,RK JUMPER1/10-CP |
| MECH-P.W.Board | | | R127 | 06S15615Y25 | RES,RK 101J 1/16 -CP |
| MECH-P.W.Board | | | R128 | 06S15615Y25 | RES,RK 101J 1/16 -CP |
| MECH-P.W.Board | | | R129 | 06S15615Y25 | RES,RK 101J 1/16 -CP |
| MECH-P.W.Board | | | R130 | 06S45675W43 | RES,RK JUMPER1/10-CP |

Mark Model Code

#1 CDA-117 Only,

\$1 CDA-117E(General Foreign) Only,

%1 CDA-117E(Chinese) Only,

Others:Common.

NOTE:The part that has not PART NUMBER will not be supplied.

| P.W.Board | MIS | MODEL | Ref. | Parts No. | Parts Name |
|----------------|-----|-------|----------------------|-------------|----------------------|
| MECH-P.W.Board | | | R132 | 06S45675W43 | RES,RK JUMPER1/10-CP |
| MECH-P.W.Board | | | R133 | 06S45674W81 | RES,RK 103J 1/10 -CP |
| MECH-P.W.Board | | | R134 | 06S45674W41 | RES,RK 221J 1/10 -CP |
| MECH-P.W.Board | | | R135 | 06S45674W97 | RES,RK 473J 1/10 -CP |
| MECH-P.W.Board | | | R136 | 06S45675W02 | RES,RK 683J 1/10 -CP |
| MECH-P.W.Board | | | R137 | 06S45675W04 | RES,RK 823J 1/10 -CP |
| MECH-P.W.Board | | | R140 | 06S15615Y27 | RES,RK 121J 1/16 -CP |
| MECH-P.W.Board | | | R141 | 06S15615Y27 | RES,RK 121J 1/16 -CP |
| MECH-P.W.Board | | | R142 | 06S15615Y27 | RES,RK 121J 1/16 -CP |
| MECH-P.W.Board | | | R144 | 06S15615Y89 | RES,RK 473J 1/16 -CP |
| MECH-P.W.Board | | | R145 | 06S15615Y89 | RES,RK 473J 1/16 -CP |
| MECH-P.W.Board | | | R146 | 06S45674W39 | RES,RK 181J 1/10 -CP |
| MECH-P.W.Board | | | R147 | 06S45674W73 | RES,RK 472J 1/10 -CP |
| MECH-P.W.Board | | | R152 | 06S45674W97 | RES,RK 473J 1/10 -CP |
| MECH-P.W.Board | | | R153 | 06S45675W26 | RES,RK 684J 1/10 -CP |
| MECH-P.W.Board | | | R154 | 06S45674W85 | RES,RK 153J 1/10 -CP |
| MECH-P.W.Board | | | R155 | 06S45675W18 | RES,RK 334J 1/10 -CP |
| MECH-P.W.Board | | | R156 | 06S45674W97 | RES,RK 473J 1/10 -CP |
| MECH-P.W.Board | | | R157 | 06S45674W97 | RES,RK 473J 1/10 -CP |
| MECH-P.W.Board | | | R158 | 06S15615Y89 | RES,RK 473J 1/16 -CP |
| MECH-P.W.Board | | | R159 | 06S15615Y89 | RES,RK 473J 1/16 -CP |
| MECH-P.W.Board | | | R160 | 06S15615Y89 | RES,RK 473J 1/16 -CP |
| MECH-P.W.Board | | | R161 | 06S15615Y89 | RES,RK 473J 1/16 -CP |
| MECH-P.W.Board | | | R162 | 06S15615Y89 | RES,RK 473J 1/16 -CP |
| MECH-P.W.Board | | | R165 | 06S45674W97 | RES,RK 473J 1/10 -CP |
| MECH-P.W.Board | | | R166 | 06S45674W97 | RES,RK 473J 1/10 -CP |
| MECH-P.W.Board | | | R169 | 06S45675W06 | RES,RK 104J 1/10 -CP |
| MECH-P.W.Board | | | R170 | 06S45675W06 | RES,RK 104J 1/10 -CP |
| MECH-P.W.Board | | | R171 | 06S45675W08 | RES,RK 124J 1/10 -CP |
| MECH-P.W.Board | | | R172 | 06S45674W99 | RES,RK 563J 1/10 -CP |
| MECH-P.W.Board | | | R173 | 06S45674W33 | RES,RK 101J 1/10 -CP |
| MECH-P.W.Board | | | R174 | 06S45674W33 | RES,RK 101J 1/10 -CP |
| MECH-P.W.Board | | | R176 | 06S45674W97 | RES,RK 473J 1/10 -CP |
| MECH-P.W.Board | | | R177 | 06S45674W93 | RES,RK 333J 1/10 -CP |
| MECH-P.W.Board | | | R180 | 06S45674W75 | RES,RK 562J 1/10 -CP |
| MECH-P.W.Board | | | R181 | 06S45674W75 | RES,RK 562J 1/10 -CP |
| MECH-P.W.Board | | | R182 | 06S45674W87 | RES,RK 183J 1/10 -CP |
| MECH-P.W.Board | | | R183 | 06S45674W99 | RES,RK 563J 1/10 -CP |
| MECH-P.W.Board | | | R184 | 06S45674W33 | RES,RK 101J 1/10 -CP |
| MECH-P.W.Board | | | R185 | 06S45674W33 | RES,RK 101J 1/10 -CP |
| MECH-P.W.Board | | | R186 | 06S45675W06 | RES,RK 104J 1/10 -CP |
| MECH-P.W.Board | | | R187 | 06S45675W06 | RES,RK 104J 1/10 -CP |

Mark Model Code

#1 CDA-117 Only,

\$1 CDA-117E(General Foreign) Only,

%1 CDA-117E(Chinese) Only,

Others:Common.

NOTE:The part that has not PART NUMBER will not be supplied.

| P.W.Board | MIS | MODEL | Ref. | Parts No. | Parts Name |
|-----------------|-----|-------|------------------------|-------------|----------------------|
| MECH-P.W.Board | | | R188 | 06S45675W06 | RES,RK 104J 1/10 -CP |
| MECH-P.W.Board | | | R189 | 06S45674W89 | RES,RK 223J 1/10 -CP |
| MECH-P.W.Board | | | R190 | 06S45674W93 | RES,RK 333J 1/10 -CP |
| MECH-P.W.Board | | | R202 | 06S45675W43 | RES,RK JUMPER1/10-CP |
| MECH-P.W.Board | | | R208 | 06S45674W33 | RES,RK 101J 1/10 -CP |
| MECH-P.W.Board | | | RA100 | 06S15771Y13 | RES,ARYEXB28V101J-CP |
| MECH-P.W.Board | | | RA101 | 06S15771Y13 | RES,ARYEXB28V101J-CP |
| MECH-P.W.Board | | | RA102 | 06S15771Y13 | RES,ARYEXB28V101J-CP |
| MECH-P.W.Board | | | RA103 | 06S45591W15 | RES,ARY MNR472J 4-CP |
| MECH-P.W.Board | | | RA104 | 06S45591W15 | RES,ARY MNR472J 4-CP |
| MECH-P.W.Board | | | XL101 | 91-15988Z11 | XTL,NX3225GA 16.9-CP |
| MECH-P.W.Board | | | Z101 | 91T75196Y08 | EMI,BK1005HW601 -CP |
| TUNER-P.W.Board | | | C1101 | 08S65128F57 | CAP,CER.102K-B1H -CP |
| TUNER-P.W.Board | | | C1102 | 08S82122F21 | CAP,CER.22RJ-CH1H-CP |
| TUNER-P.W.Board | | | C1103 | 08S65128F57 | CAP,CER.102K-B1H -CP |
| TUNER-P.W.Board | | | C1104 | 08S45231Y35 | CAP,CER 4R7J-CH1H-CP |
| TUNER-P.W.Board | | | C1106 | 08S82122F29 | CAP,CER.47RJ-CH1H-CP |
| TUNER-P.W.Board | | | C1108 | 08S65128F57 | CAP,CER.102K-B1H -CP |
| TUNER-P.W.Board | | | C1109 | 08S82122F19 | CAP,CER.18RJ-CH1H-CP |
| TUNER-P.W.Board | | | C1110 | 08S82122F23 | CAP,CER.27RJ-CH1H-CP |
| TUNER-P.W.Board | | | C1111 | 08S65128F57 | CAP,CER.102K-B1H -CP |
| TUNER-P.W.Board | | | C1112 | 08S45677W60 | CAP,CER 102J-CH1H-CP |
| TUNER-P.W.Board | | | C1113 | 08S45676W68 | CAP,CER.392K-B1H -CP |
| TUNER-P.W.Board | | | C1114 | 08S45676W73 | CAP,CER.103K-B1H -CP |
| TUNER-P.W.Board | | | C1115 | 08S45676W73 | CAP,CER.103K-B1H -CP |
| TUNER-P.W.Board | | | C1117 | 08S45676W67 | CAP,CER.332K-B1H -CP |
| TUNER-P.W.Board | | | C1118 | 08S45676W80 | CAP,CER 223K-B1E -CP |
| TUNER-P.W.Board | | | C1119 | 08S45677W60 | CAP,CER 102J-CH1H-CP |
| TUNER-P.W.Board | | | C1120 | 08S45676W80 | CAP,CER 223K-B1E -CP |
| TUNER-P.W.Board | | | C1121 | 08S45676W93 | CAP,CER 224K-B1A -CP |
| TUNER-P.W.Board | | | C1122 | 08S45676W80 | CAP,CER 223K-B1E -CP |
| TUNER-P.W.Board | | | C1123 | 08S45676W80 | CAP,CER 223K-B1E -CP |
| TUNER-P.W.Board | | | C1124 | 08S45676W80 | CAP,CER 223K-B1E -CP |
| TUNER-P.W.Board | | | C1125 | 08S45676W80 | CAP,CER 223K-B1E -CP |
| TUNER-P.W.Board | | | CB1101 | 09-02945Z01 | PIN,IMSA6029B-20Z-DB |
| TUNER-P.W.Board | | | D1101 | 48-12230Z01 | DIO,KDS226-RTK -CP |
| TUNER-P.W.Board | | | D1102 | 48-12230Z01 | DIO,KDS226-RTK -CP |
| TUNER-P.W.Board | | | IC1101 | 51-15831Z01 | TEF7000 -LT |
| TUNER-P.W.Board | | | L1101 | 24T55476Y02 | IND,LLQ2012 R27J -CP |
| TUNER-P.W.Board | | | L1102 | 24T25164Y09 | IND,FSLM2520 R47J-CP |
| TUNER-P.W.Board | | | L1103 | 24T55476Y13 | IND,LLQ2012 R22J -CP |
| TUNER-P.W.Board | | | L1104 | 24T25164Y16 | IND,FSLM2520 1R8J-CP |

Mark Model Code








#1 CDA-117 Only,

\$1 CDA-117E(General Foreign) Only,

%1 CDA-117E(Chinese) Only,

Others:Common.

NOTE:The part that has not PART NUMBER will not be supplied.

| P.W.Board | MIS | MODEL | Ref. | Parts No. | Parts Name |
|----------------------------|---|-------|--------------------------|-------------|-----------------------|
| TUNER-P.W.Board | | | L1105 | 24-02145Z16 | IND,NLCV32T 331K -CP |
| TUNER-P.W.Board | | | L1106 | 24-02145Z16 | IND,NLCV32T 331K -CP |
| TUNER-P.W.Board | | | R1101 | 06S64996F18 | RES,RK 474J 1/8 -CP |
| TUNER-P.W.Board | | | R1102 | 06S64996F18 | RES,RK 474J 1/8 -CP |
| TUNER-P.W.Board | | | R1103 | 06S64996F18 | RES,RK 474J 1/8 -CP |
| TUNER-P.W.Board | | | R1105 | 06S45674W45 | RES,RK 331J 1/10 -CP |
| TUNER-P.W.Board | | | R1106 | 06S64995F23 | RES,RK 56RJ 1/8 -CP |
| TUNER-P.W.Board | | | R1107 | 06S45674W39 | RES,RK 181J 1/10 -CP |
| TUNER-P.W.Board | | | R1108 | 06S45674W81 | RES,RK 103J 1/10 -CP |
| TUNER-P.W.Board | | | R1109 | 06S45674W89 | RES,RK 223J 1/10 -CP |
| TUNER-P.W.Board | | | R1110 | 06S45674W71 | RES,RK 392J 1/10 -CP |
| TUNER-P.W.Board | | | R1111 | 06S45674W81 | RES,RK 103J 1/10 -CP |
| TUNER-P.W.Board | | | R1113 | 06S64995F21 | RES,RK 47RJ 1/8 -CP |
| ESC-P.W.Board | | | CB9600 | 09T75237Y20 | BTB,BTFW20P-3SSTA-EJ |
| ESC-P.W.Board |  | | CH9600 | 09-04217Z01 | BTB,DH16-S -B |
| ESC-P.W.Board | | | LD9600 | 48-11865Z01 | LED,AMB SML-D12D8WCP |
| ESC-P.W.Board | | | LD9601 | 48-11868Z02 | LED,AMB A12D8T-Q -CP |
| ESC-P.W.Board | | | Q9600 | 48-04929Z05 | TR,KRC105S-RTK -CP |
| ESC-P.W.Board | | | R9600 | 06S35095Y15 | RES,RK 243J 1/4 -CP |
| ESC-P.W.Board | | | R9601 | 06S70072F69 | RES,CP .472-J-1/4-CP |
| ESC-P.W.Board | | | SW9600 | 40T65353Y01 | SW,TACT SKRSPACE010E2 |
| ESC-P.W.Board |  | | SW9601 | 40-03466Z01 | SW,DETCT SPVM1101-E5 |
| ESC-P.W.Board | | | ZD9600 | 48-11191Z22 | DIO,ZEN MAZ8056GL-CP |
| Miscellaneous |  | | ET5500 | 09-14560Z03 | ASSY,ANID-0094-03A |
| Miscellaneous |  | | ET8600 | 09-11953Z04 | ASSY,YAF11-1281N |
| Miscellaneous |  | | M8001 | 59-06122Z01 | MOTOR,D02X-12TS4(EX) |
| Miscellaneous |  | | OELD9002 | 65-16215Z01 | ASSY,UEL348 |
| SW(DP33U8BV)- P.W.Board | | | CB101 | 09-09314Z01 | FFC,IMSA9664S-11Y-EQ |
| SW(DP33U8BV)- P.W.Board | | | PT1 | 48-13077Z01 | PHT,TR KP3216P3BT-CP |
| SW(DP33U8BV)- P.W.Board | | | PT2 | 48-13077Z01 | PHT,TR KP3216P3BT-CP |
| SW(DP33U8BV)- P.W.Board | | | PT3 | 48-13077Z01 | PHT,TR KP3216P3BT-CP |
| SW(DP33U8BV)- P.W.Board |  | | SW1 | 40T15494Y16 | SW,DETCT SPVG1103-E6 |
| FPC.PHOTO.VE- P.W.Board | | | C101 | 08S45677W42 | CAP,CER.181J-CH1H-CP |
| FPC.PHOTO.VE- P.W.Board | | | C102 | 08S45677W42 | CAP,CER.181J-CH1H-CP |
| FPC.PHOTO.VE- P.W.Board | | | C103 | 08S45677W42 | CAP,CER.181J-CH1H-CP |

Mark Model Code


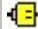

#1 CDA-117 Only,

\$1 CDA-117E(General Foreign) Only,

%1 CDA-117E(Chinese) Only,

Others:Common.

NOTE:The part that has not PART NUMBER will not be supplied.

| P.W.Board | MIS | MODEL | Ref. | Parts No. | Parts Name |
|------------------------|---|-------|---------------------|-------------|---------------------------|
| FPC.PHOTO.VE-P.W.Board | | | LD101 | 48-13076Z01 | LED,KPTD-3216F3C -CP |
| FPC.PHOTO.VE-P.W.Board | | | LD102 | 48-13076Z01 | LED,KPTD-3216F3C -CP |
| FPC.PHOTO.VE-P.W.Board | | | LD103 | 48-13076Z01 | LED,KPTD-3216F3C -CP |
| FPC.PHOTO.VE-P.W.Board | | | R101 | 06S45674W51 | RES,RK 561J 1/10 -CP |
| FPC.PHOTO.VE-P.W.Board | | | R102 | 06S45674W51 | RES,RK 561J 1/10 -CP |
| FPC.PHOTO.VE-P.W.Board | | | R103 | 06S45674W51 | RES,RK 561J 1/10 -CP |
| Miscellaneous |  | | HD1 | EP-12502Z02 | EP21A96N |
| Miscellaneous |  | | M1 | 66-09123Z07 | ASSY,SPDL MTR AOTA |
| Miscellaneous |  | | M2 | 66-13908Z44 | ASSY,LD-SLED MTR AOTA 8BV |

Mark Model Code

#1 CDA-117 Only,

\$1 CDA-117E(General Foreign) Only,

%1 CDA-117E(Chinese) Only,

Others:Common.

NOTE:The part that has not PART NUMBER will not be supplied.