

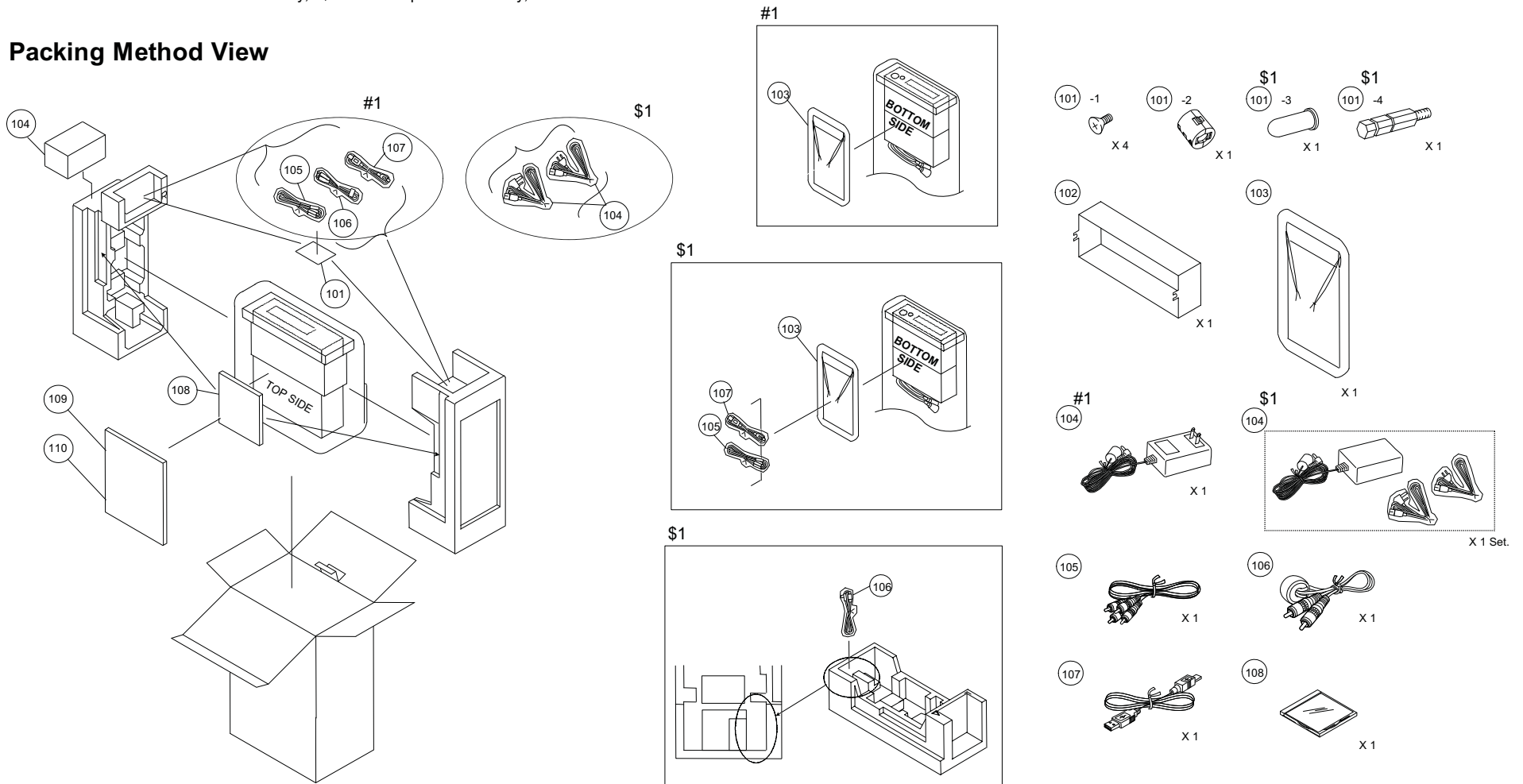
Packing Assembly Parts List

HDA-5460

Symbol No.	Part No.	Description	Symbol No.	Part No.	Description
101-1	03S72235F13	SCR,MCH M5X8 FLAT	105	01T65697Y01	ASSY,WIRE COAX
101-2	59T35625Y03	MAGNET,TFC-16816	106	01T15832W01	ASSY,RCA-RCA 600(NEW
\$1 101-3	36A11113W01	CAP,RUBBER(A)	107	01T65652Y01	ASSY,NSJ-H03
\$1 101-4	03A11112W01	BOLT,HEX,M5(A)	108	99T75204Y01	CD ROM DISC 5460V 1.0
102	15D00529K01	CASE,INNER	#1 109	68P50520Y92	O/M A OAM
103	15B21187Y01	CARRING,CASE	\$1 109	68P50520Y93	O/M A OEU
#1 104	01T03508K01	TESA2-0752000D	#1 110	68P60669Y44	CARD,NOTE
\$1 104	01T03508K02	TESA2-0752000	\$1 110	68P60669Y45	CARD,NOTE

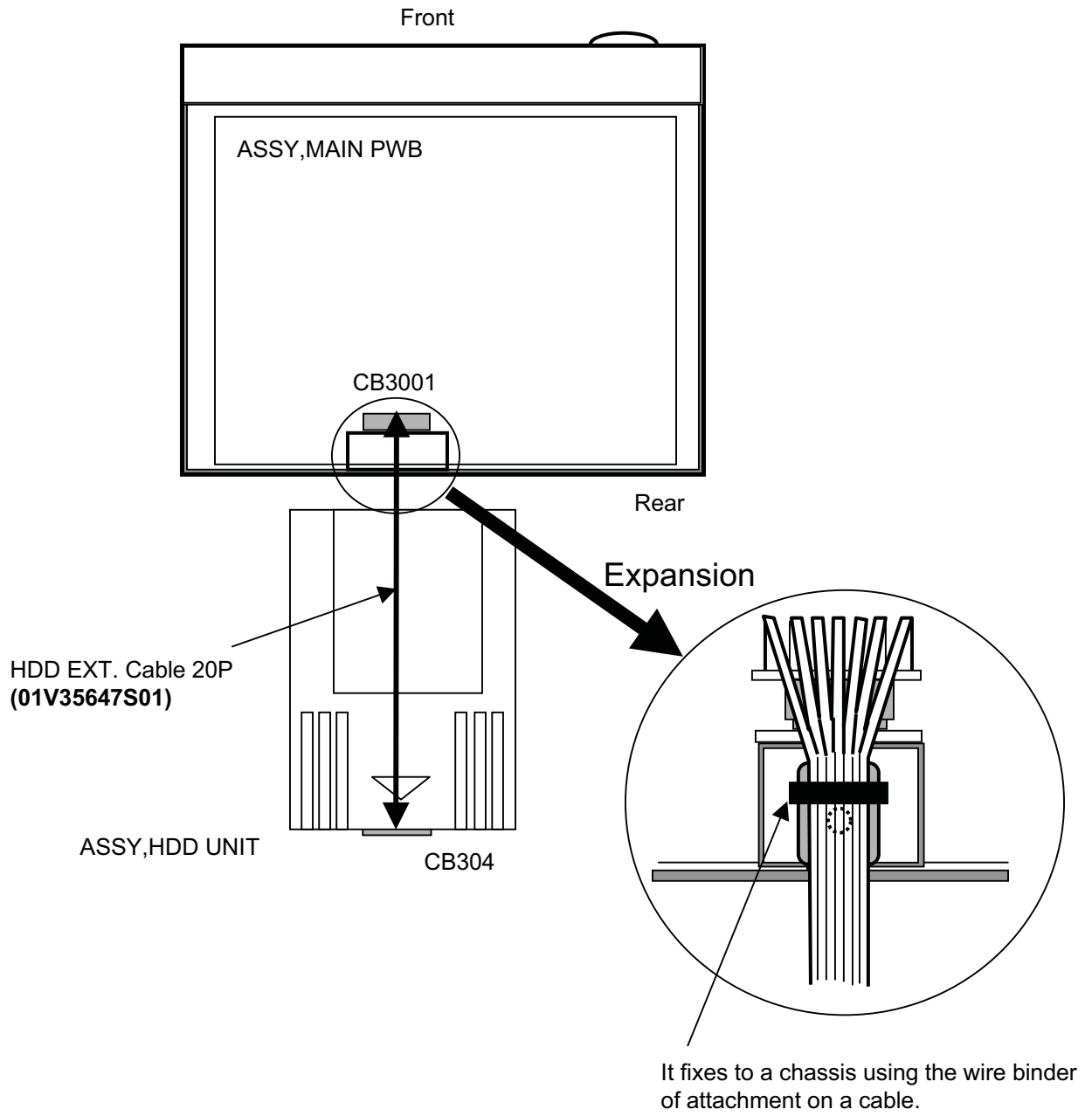
NOTE : #1 : For North American Model Only, \$1 : For European Model Only, Others : Common.

Packing Method View



NOTE : #1 : For North American Model Only, \$1 : For European Model Only, Others : Common.

Extension Cable



Electrical Parts List

*****MAIN P.W.Board

=====IC's

IC203	51T25576W07	NJM4580V-TE2	-SE2
IC204	51T25576W07	NJM4580V-TE2	-SE2
IC205	51T25576W07	NJM4580V-TE2	-SE2
IC206	51T15166W01	IC ,BA3306	
IC207	51T95048W01	BA3834F	-SE9
IC208	51T15456Y01	TC74HC4066AFT-EL-SE5	
IC215	51T25189Y01	S-81233SGUP-T1	-NE2
IC250	51T65420Y01	UDA1351TS	-SE9
IC501	51T55070W05	MB88385CPF-ER	-SE9
IC502	51T25370W01	IC ,MC14538BFEL	-SE6
IC503	51T93332F01	IC ,NJM2903M-TE3	-SE2
IC550	51T65395Y05	MTP,D70F3030BGC	-QT
IC801	51T25576W07	NJM4580V-TE2	-SE2
IC803	51T15131Y01	NJM2360AM-TE2	-SE6
IC804	51T65016Y30	S-80942CNMC-T2	-CP
IC805	51T95193W01	TDA3606AT	-SE9
IC807	51T25045Y03	AN7705SP-TX	-NE5
IC808	51T15131Y01	NJM2360AM-TE2	-SE6
IC809	51T15131Y01	NJM2360AM-TE2	-SE6
IC811	51T15731W08	TC7S08F-TE85L	-CP

=====Transistors

Q202	48T45594W08	TR ,XN1212	-TX-CP
Q203	48T25317Y01	TR,XN0F256-TX	-CP
Q501	48T62967F03	TR,DTC124EKA-T146-CP	
Q502	48T45594W16	TR,XN1A311-TX	-CP
Q504	48T64222F02	TR ,UN2212 22-22	-TX
Q520	48T35548Y04	TR,2SB710A-S-TX	-CP
Q521	48T64222F02	TR ,UN2212 22-22	-TX
Q801	48T45594W12	TR ,XN1A312	-TX-CP
Q802	48T35675Y03	TR,2SC2983-Y-16L	-E5
Q805	48T45594W12	TR ,XN1A312	-TX-CP
Q806	48T15511W02	CP.2SB1261-TE2	-E5
Q807	48T45594W12	TR ,XN1A312	-TX-CP
Q808	48T45594W12	TR ,XN1A312	-TX-CP
Q815	48T45594W16	TR,XN1A311-TX	-CP
Q817	48T75603W01	TR,2SD2139-QPO	-RD
Q823	48T64222F02	TR ,UN2212 22-22	-TX
Q824	48T92368F04	TR,2SD1760 R	-E5
Q826	48T45594W16	TR,XN1A311-TX	-CP
Q830	48T45594W16	TR,XN1A311-TX	-CP
Q831	48T93828F04	TR,2SD1994A-S-TA	-RD
Q852	48T35569Y01	TR,2SD1802-TL	-E5
Q853	48T45594W12	TR ,XN1A312	-TX-CP
Q854	48T15511W02	CP.2SB1261-TE2	-E5
Q855	48T64222F02	TR ,UN2212 22-22	-TX
Q856	48T15141W03	TR ,2SB1184F5	-E5
Q857	48T64222F02	TR ,UN2212 22-22	-TX
Q858	48T64222F02	TR ,UN2212 22-22	-TX
Q859	48T64222F01	TR ,UN2211 10-10	-TX
Q860	48T75603W01	TR,2SD2139-QPO	-RD
Q861	48T45594W16	TR,XN1A311-TX	-CP
Q862	48T35675Y03	TR,2SC2983-Y-16L	-E5

HDA-5460

Q863	48T45594W12	TR ,XN1A312 -TX-CP
Q864	48T92368F04	TR,2SD1760 R -E5
=====Diodes		
D201	48T25651W01	DIO,CP MA152WA
D202	48T68828F11	DIO,1SS133 -RH
D204	48T25593Y01	DIO,S1G-6904 -E1
D501	48T63462F01	DIO,CP.DAN202K -96
D504	48T25651W02	DIO,MA152WK-TX -CP
D803	48T25651W02	DIO,MA152WK-TX -CP
D805	48T25651W02	DIO,MA152WK-TX -CP
D806	48T85427W01	DIO,DSM3MA4 -E5
D808	48T85427W01	DIO,DSM3MA4 -E5
SD801	48T65122W01	DIO,SHT SS14-6600-E1
SD802	48T65122W01	DIO,SHT SS14-6600-E1
SD803	48T65122W01	DIO,SHT SS14-6600-E1
SD804	48T65122W01	DIO,SHT SS14-6600-E1
SD805	48T65122W01	DIO,SHT SS14-6600-E1
ZD501	48T25766W03	DIO,ZEN.HZS 6A3L -R5
ZD502	48T45012W35	DIO,ZEN.MTZJ7.5A -R5
ZD503	48T45012W35	DIO,ZEN.MTZJ7.5A -R5
ZD601	48T62934F19	DIO,ZEN.RD5.1MB2 -CP
ZD602	48T62934F19	DIO,ZEN.RD5.1MB2 -CP
ZD603	48T62934F19	DIO,ZEN.RD5.1MB2 -CP
ZD801	48T25766W24	DIO,ZEN.HZS 9C1L -R5
ZD802	48T62934F25	DIO,ZEN.RD6.2MB2 -CP
ZD804	48T62934F26	DIO,ZEN.RD6.2MB3 -CP
ZD808	48T25766W24	DIO,ZEN.HZS 9C1L -R5
ZD810	48T25766W28	DIO,ZEN.HZS11A2L -R5
ZD815	48T25766W30	DIO,ZEN.HZS11B1L -R5
ZD817	48T25766W20	DIO,ZEN.HZS 9A2L -R5
=====Coils		
L501	24T65110W12	IND,LK2125 R47K -CP
L502	24T65110W12	IND,LK2125 R47K -CP
L503	24T65110W12	IND,LK2125 R47K -CP
L801	24T45573Y06	IND,SLF12575 221M-EA
L802	24T45573Y06	IND,SLF12575 221M-EA
L811	24T25368Y09	IND,SLF10145 221M-EA
L812	24T25368Y09	IND,SLF10145 221M-EA
L813	24T25565Y11	IND,SLF12565 221M-EA
L814	24T25565Y11	IND,SLF12565 221M-EA
L815	24T35511Y11	IND,SLF7045T 101M-E6
=====Crystals		
XL501	91T45118W12	XTL,4.000 -AT51-SL
XL502	91T55217Y05	XTL,NX8045GB 20.0-E5
XL503	91T15849W02	XTAL,32.768KHZ
=====Filters		
Z501	91T35420Y02	EMI,NFA31GD470101-CP
Z502	91T35420Y02	EMI,NFA31GD470101-CP
Z503	91T35420Y02	EMI,NFA31GD470101-CP
=====LED's		
LD805	48T65176Y02	LED,BLU DB1111C -CP
LD806	48T65176Y02	LED,BLU DB1111C -CP
=====Switches		
SW201	40T45282W02	SW,SLIDE SLD-42-508X (Ai-NET-STANDALONE)
SW501	40T55182W06	SW,TACT SKHVLK -R5 (RESET)

HDA-5460

=====Thermistors		
TH502	48T25250Y10	TMT,ERTJ1VV104G -CP
TH801	48T25250Y06	TMT,ERTJ1VR223G -CP
=====Buzzer		
BZ801	50T65634Y01	BUZZER,PKLCS1212E-EA
=====Capacitors		
C201	08S45677W38	CAP,CER 121J-CH1H-CP
C202	08S45677W38	CAP,CER 121J-CH1H-CP
C203	08S45677W46	CAP,CER 271J-CH1H-CP
C204	08S45677W46	CAP,CER 271J-CH1H-CP
C205	08S45676W68	CAP,CER.392K-B1H -CP
C206	08S45676W68	CAP,CER.392K-B1H -CP
C211	08S45677W20	CAP,CER.22RJ-CH1H-CP
C212	08S45677W20	CAP,CER.22RJ-CH1H-CP
C213	08S45677W20	CAP,CER.22RJ-CH1H-CP
C214	08S45677W20	CAP,CER.22RJ-CH1H-CP
C215	08S45677W20	CAP,CER.22RJ-CH1H-CP
C216	08S45677W20	CAP,CER.22RJ-CH1H-CP
C217	08S45677W20	CAP,CER.22RJ-CH1H-CP
C218	08S45677W20	CAP,CER.22RJ-CH1H-CP
C223	08S45677W60	CAP,CER 102J-CH1H-CP
C225	08S45676W85	CAP,CER 104K-B1C -CP
C226	08S45676W85	CAP,CER 104K-B1C -CP
C227	08S45676W85	CAP,CER 104K-B1C -CP
C228	08S45676W80	CAP,CER 223K-B1E -CP
C229	08S45676W80	CAP,CER 223K-B1E -CP
C230	08S45676W80	CAP,CER 223K-B1E -CP
C231	08S45676W85	CAP,CER 104K-B1C -CP
C232	08S45676W85	CAP,CER 104K-B1C -CP
C233	08S45676W85	CAP,CER 104K-B1C -CP
C234	08S45676W85	CAP,CER 104K-B1C -CP
C235	08S45676W85	CAP,CER 104K-B1C -CP
C236	08S45676W85	CAP,CER 104K-B1C -CP
C237	08S45676W85	CAP,CER 104K-B1C -CP
C238	08S45676W85	CAP,CER 104K-B1C -CP
C241	08S35350Y04	CAP,CER 105K-B1C -CP
C243	08S35350Y04	CAP,CER 105K-B1C -CP
C244	08S35350Y04	CAP,CER 105K-B1C -CP
C246	08S35350Y04	CAP,CER 105K-B1C -CP
C251	08S35374W01	CAP,CER 104K-B1E-CP
C252	08S35374W01	CAP,CER 104K-B1E-CP
C256	08S45676W85	CAP,CER 104K-B1C -CP
C278	08S45676W89	CAP,CER 473K-B1E -CP
C288	08S45677W60	CAP,CER 102J-CH1H-CP
C289	08S45677W60	CAP,CER 102J-CH1H-CP
C291	08S45676W89	CAP,CER 473K-B1E -CP
C500	08S45676W85	CAP,CER 104K-B1C -CP
C501	08S45676W80	CAP,CER 223K-B1E -CP
C502	08S45677W21	CAP,CER 24RJ-CH1H-CP
C503	08S45677W21	CAP,CER 24RJ-CH1H-CP
C504	08S45676W85	CAP,CER 104K-B1C -CP
C505	08S45676W80	CAP,CER 223K-B1E -CP
C506	08S45677W36	CAP,CER.101J-CH1H-CP
C507	08S45676W85	CAP,CER 104K-B1C -CP
C509	08S45677W12	CAP,CER.10RD-CH1H-CP
C510	08S45677W12	CAP,CER.10RD-CH1H-CP
C511	08S45677W21	CAP,CER 24RJ-CH1H-CP

HDA-5460

C512	08S45677W20	CAP,CER.22RJ-CH1H-CP
C513	08S35350Y04	CAP,CER 105K-B1C -CP
C514	08S45676W85	CAP,CER 104K-B1C -CP
C515	08S45676W85	CAP,CER 104K-B1C -CP
C516	08S45676W85	CAP,CER 104K-B1C -CP
C556	08S45676W85	CAP,CER 104K-B1C -CP
C560	08S45676W85	CAP,CER 104K-B1C -CP
C571	08S45676W85	CAP,CER 104K-B1C -CP
C574	08S45676W85	CAP,CER 104K-B1C -CP
C575	08S45676W85	CAP,CER 104K-B1C -CP
C601	08S45676W73	CAP,CER.103K-B1H -CP
C602	08S45676W73	CAP,CER.103K-B1H -CP
C603	08S45676W73	CAP,CER.103K-B1H -CP
C803	08S45676W73	CAP,CER.103K-B1H -CP
C804	08S45676W80	CAP,CER 223K-B1E -CP
C805	08S45676W80	CAP,CER 223K-B1E -CP
C806	08S45677W65	CAP,CER 431J-CH1H-CP
C807	08S45676W63	CAP,CER 152K-B1H -CP
C808	08S45676W80	CAP,CER 223K-B1E -CP
C809	08S45539Y02	CAP,CER 222KX7R2J-CP
C811	08S45539Y02	CAP,CER 222KX7R2J-CP
C812	08S45676W85	CAP,CER 104K-B1C -CP
C813	08S45676W89	CAP,CER 473K-B1E -CP
C814	08S45676W85	CAP,CER 104K-B1C -CP
C817	08S45676W85	CAP,CER 104K-B1C -CP
C818	08S45676W80	CAP,CER 223K-B1E -CP
C828	08S45676W85	CAP,CER 104K-B1C -CP
C829	08S35374W01	CAP,CER 104K-B1E-CP
C830	08S45677W36	CAP,CER.101J-CH1H-CP
C836	08S45676W93	CAP,CER 224K-B1A -CP
C837	08S35374W01	CAP,CER 104K-B1E-CP
C850	08S45676W80	CAP,CER 223K-B1E -CP
C852	08S45677W40	CAP,CER.151J-CH1H-CP
C853	08S60102F48	CAP,CER 105K-B1E -CP
C854	08S45676W80	CAP,CER 223K-B1E -CP
C855	08S45676W80	CAP,CER 223K-B1E -CP
C856	08S45677W40	CAP,CER.151J-CH1H-CP
C857	08S45676W63	CAP,CER 152K-B1H -CP
C858	08S45676W80	CAP,CER 223K-B1E -CP
C861	08S45676W85	CAP,CER 104K-B1C -CP
C862	08S45676W85	CAP,CER 104K-B1C -CP
C863	08S45676W85	CAP,CER 104K-B1C -CP
C864	08S35350Y04	CAP,CER 105K-B1C -CP
E201	23S82372F13	CAP,ELY.2R2-1V-BP-R2
E202	23S82372F13	CAP,ELY.2R2-1V-BP-R2
E203	23S82372F13	CAP,ELY.2R2-1V-BP-R2
E204	23S82372F13	CAP,ELY.2R2-1V-BP-R2
E205	23S45639Y07	CAP,ELY 10R-1C -R2
E206	23S45639Y07	CAP,ELY 10R-1C -R2
E207	23S45639Y07	CAP,ELY 10R-1C -R2
E208	23S45639Y07	CAP,ELY 10R-1C -R2
E214	23S45639Y05	CAP,ELY 101-1A -R2
E215	23S45639Y07	CAP,ELY 10R-1C -R2
E216	23S45639Y08	CAP,ELY 22R-1C -R2
E217	23S45639Y07	CAP,ELY 10R-1C -R2
E218	23S45639Y08	CAP,ELY 22R-1C -R2
E220	23S45639Y08	CAP,ELY 22R-1C -R2

E222	23S45639Y10	CAP,ELY 101-1C	-R2
E223	23S45639Y07	CAP,ELY 10R-1C	-R2
E224	23S45639Y07	CAP,ELY 10R-1C	-R2
E225	23S45639Y02	CAP,ELY 47R-0J	-R2
E226	23S45639Y02	CAP,ELY 47R-0J	-R2
E227	23S45639Y02	CAP,ELY 47R-0J	-R2
E228	23S45639Y02	CAP,ELY 47R-0J	-R2
E229	23S45639Y02	CAP,ELY 47R-0J	-R2
E230	23S45639Y07	CAP,ELY 10R-1C	-R2
E231	23S45639Y09	CAP,ELY 47R-1C	-R2
E250	23S65134W31	CAP,ELY 10R-1C(4)-E2	
E501	23S45639Y06	CAP,ELY 221-1A	-R2
E801	23S45639Y10	CAP,ELY 101-1C	-R2
E802	23S45639Y09	CAP,ELY 47R-1C	-R2
E803	23S45639Y05	CAP,ELY 101-1A	-R2
E808	23S45639Y05	CAP,ELY 101-1A	-R2
E809	23S45639Y07	CAP,ELY 10R-1C	-R2
E810	23S45639Y08	CAP,ELY 22R-1C	-R2
E811	23S45639Y08	CAP,ELY 22R-1C	-R2
E812	23T65114Y24	CAP,FK 681-1C-G	-EA
E813	23T65114Y16	CAP,FK 102-1A-G	-EA
E814	23T35505W09	CAP,ELY 472-1C	+
E815	23S45639Y10	CAP,ELY 101-1C	-R2
E818	23S45639Y24	CAP,ELY 3R3-1H	-R2
E819	23S45639Y06	CAP,ELY 221-1A	-R2
E822	23S95415W06	CAP,ELY 101-1C	-R2
E823	23S45639Y07	CAP,ELY 10R-1C	-R2
E827	23S45639Y02	CAP,ELY 47R-0J	-R2
E828	23S45639Y08	CAP,ELY 22R-1C	-R2
E829	23S45639Y07	CAP,ELY 10R-1C	-R2
E830	23T95564W41	CAP,FC 471-1C-G	-EA
E839	23S45639Y08	CAP,ELY 22R-1C	-R2
E840	23S45639Y22	CAP,ELY 1R0-1H	-R2
E841	23S45639Y08	CAP,ELY 22R-1C	-R2
E850	23T65114Y23	CAP,FK 471-1C-F	-EA
E851	23T65114Y31	CAP,FK 471-1E-G	-EA
E853	23T65114Y23	CAP,FK 471-1C-F	-EA
E854	23T65114Y16	CAP,FK 102-1A-G	-EA
E855	23T35505W09	CAP,ELY 472-1C	+
E856	23T65745Y01	CAP,X-PRO 332-1C	+
E857	23S95415W05	CAP,ELY 47R-1C	-R2
E858	23T95564W37	CAP,FC 101-1E-F	-EA
E859	23S65134W21	CAP,ELY 33R-1A(5)-E3	
=====Resistors			
L201	06S55366Y39	RES,RK JUMPER1/10-CP	
L202	06S55366Y39	RES,RK JUMPER1/10-CP	
L203	06S55366Y39	RES,RK JUMPER1/10-CP	
L204	06S55366Y39	RES,RK JUMPER1/10-CP	
L205	06S55366Y39	RES,RK JUMPER1/10-CP	
R103	06S55365Y59	RES,RK 561J 1/10 -CP	
R104	06S55365Y59	RES,RK 561J 1/10 -CP	
R201	06S55365Y94	RES,RK 163J 1/10 -CP	
R202	06S55365Y94	RES,RK 163J 1/10 -CP	
R203	06S55366Y13	RES,RK 913J 1/10 -CP	
R204	06S55366Y13	RES,RK 913J 1/10 -CP	
R205	06S55365Y67	RES,RK 122J 1/10 -CP	
R206	06S55365Y67	RES,RK 122J 1/10 -CP	

R207	06S55365Y67	RES,RK 122J 1/10 -CP
R208	06S55365Y67	RES,RK 122J 1/10 -CP
R209	06S55365Y65	RES,RK 102J 1/10 -CP
R210	06S55365Y65	RES,RK 102J 1/10 -CP
R213	06S55361Y33	RES,RK 47RJ 1/4 -CP
R214	06S55361Y33	RES,RK 47RJ 1/4 -CP
R215	06S55361Y17	RES,RK 10RJ 1/4 -CP
R216	06S55361Y17	RES,RK 10RJ 1/4 -CP
R217	06S15593Y81	RES,RK 223F 1/10 -CP
R218	06S15593Y81	RES,RK 223F 1/10 -CP
R219	06S15593Y81	RES,RK 223F 1/10 -CP
R220	06S15593Y81	RES,RK 223F 1/10 -CP
R221	06S15593Y81	RES,RK 223F 1/10 -CP
R222	06S15593Y81	RES,RK 223F 1/10 -CP
R223	06S15593Y81	RES,RK 223F 1/10 -CP
R224	06S15593Y81	RES,RK 223F 1/10 -CP
R225	06S15593Y81	RES,RK 223F 1/10 -CP
R226	06S15593Y81	RES,RK 223F 1/10 -CP
R227	06S15593Y81	RES,RK 223F 1/10 -CP
R228	06S15593Y81	RES,RK 223F 1/10 -CP
R229	06S15593Y81	RES,RK 223F 1/10 -CP
R230	06S15593Y81	RES,RK 223F 1/10 -CP
R231	06S15593Y81	RES,RK 223F 1/10 -CP
R232	06S15593Y81	RES,RK 223F 1/10 -CP
R233	06S55365Y31	RES,RK 39RJ 1/10 -CP
R234	06S55366Y16	RES,RK 124J 1/10 -CP
R235	06S55365Y81	RES,RK 472J 1/10 -CP
R236	06S55365Y81	RES,RK 472J 1/10 -CP
R237	06S55366Y38	RES,RK 105J 1/10 -CP
R244	06S55365Y65	RES,RK 102J 1/10 -CP
R246	06S55366Y39	RES,RK JUMPER1/10-CP
R247	06S55366Y39	RES,RK JUMPER1/10-CP
R248	06S55366Y39	RES,RK JUMPER1/10-CP
R249	06S55366Y39	RES,RK JUMPER1/10-CP
R250	06S55365Y89	RES,RK 103J 1/10 -CP
R251	06S55366Y39	RES,RK JUMPER1/10-CP
R252	06S55366Y06	RES,RK 473J 1/10 -CP
R254	06S55366Y39	RES,RK JUMPER1/10-CP
R255	06S55365Y65	RES,RK 102J 1/10 -CP
R260	06S55366Y39	RES,RK JUMPER1/10-CP
R262	06S55366Y39	RES,RK JUMPER1/10-CP
R263	06S55366Y39	RES,RK JUMPER1/10-CP
R265	06S55366Y24	RES,RK 274J 1/10 -CP
R266	06S55366Y19	RES,RK 164J 1/10 -CP
R267	06S55366Y39	RES,RK JUMPER1/10-CP
R268	06S55365Y65	RES,RK 102J 1/10 -CP
R270	06S55366Y06	RES,RK 473J 1/10 -CP
R271	06S55366Y06	RES,RK 473J 1/10 -CP
R272	06S55365Y65	RES,RK 102J 1/10 -CP
R274	06S55366Y05	RES,RK 433J 1/10 -CP
R275	06S55366Y05	RES,RK 433J 1/10 -CP
R279	06S55361Y49	RES,RK 221J 1/4 -CP
R281	06S55366Y06	RES,RK 473J 1/10 -CP
R284	06S55365Y95	RES,RK 183J 1/10 -CP
R286	06S55365Y65	RES,RK 102J 1/10 -CP
R292	06S55365Y65	RES,RK 102J 1/10 -CP
R293	06S55365Y89	RES,RK 103J 1/10 -CP

R294	06S55365Y89	RES,RK 103J 1/10 -CP
R501	06S55365Y69	RES,RK 152J 1/10 -CP
R502	06S55365Y73	RES,RK 222J 1/10 -CP
R503	06S55365Y73	RES,RK 222J 1/10 -CP
R504	06S55365Y69	RES,RK 152J 1/10 -CP
R505	06S55361Y46	RES,RK 161J 1/4 -CP
R506	06S55361Y46	RES,RK 161J 1/4 -CP
R507	06S55361Y46	RES,RK 161J 1/4 -CP
R508	06S55361Y46	RES,RK 161J 1/4 -CP
R509	06S55365Y81	RES,RK 472J 1/10 -CP
R510	06S55365Y81	RES,RK 472J 1/10 -CP
R511	06S55365Y81	RES,RK 472J 1/10 -CP
R512	06S55365Y81	RES,RK 472J 1/10 -CP
R513	06S55365Y81	RES,RK 472J 1/10 -CP
R514	06S55365Y81	RES,RK 472J 1/10 -CP
R515	06S55366Y06	RES,RK 473J 1/10 -CP
R516	06S55365Y93	RES,RK 153J 1/10 -CP
R517	06S55365Y87	RES,RK 822J 1/10 -CP
R518	06S55366Y38	RES,RK 105J 1/10 -CP
R519	06S55366Y30	RES,RK 474J 1/10 -CP
R520	06S55366Y26	RES,RK 334J 1/10 -CP
R521	06S55365Y99	RES,RK 273J 1/10 -CP
R522	06S55365Y89	RES,RK 103J 1/10 -CP
R524	06S55361Y97	RES,RK 223J 1/4 -CP
R525	06S55361Y65	RES,RK 102J 1/4 -CP
R527	06S55365Y65	RES,RK 102J 1/10 -CP
R529	06S15593Y97	RES,RK 104F 1/10 -CP
R530	06S55365Y97	RES,RK 223J 1/10 -CP
R532	06S55365Y65	RES,RK 102J 1/10 -CP
R533	06S55365Y97	RES,RK 223J 1/10 -CP
R534	06S55366Y06	RES,RK 473J 1/10 -CP
R536	06S55365Y97	RES,RK 223J 1/10 -CP
R537	06S55365Y81	RES,RK 472J 1/10 -CP
R538	06S55365Y65	RES,RK 102J 1/10 -CP
R541	06S55365Y97	RES,RK 223J 1/10 -CP
R543	06S55365Y97	RES,RK 223J 1/10 -CP
R544	06S55365Y97	RES,RK 223J 1/10 -CP
R546	06S55365Y97	RES,RK 223J 1/10 -CP
R550	06S55365Y97	RES,RK 223J 1/10 -CP
R551	06S55363Y65	RES,RK 102J 1/8 -CP
R552	06S55363Y65	RES,RK 102J 1/8 -CP
R553	06S55363Y65	RES,RK 102J 1/8 -CP
R554	06S55363Y65	RES,RK 102J 1/8 -CP
R555	06S55363Y65	RES,RK 102J 1/8 -CP
R556	06S55363Y65	RES,RK 102J 1/8 -CP
R557	06S55363Y65	RES,RK 102J 1/8 -CP
R558	06S55363Y65	RES,RK 102J 1/8 -CP
R559	06S55363Y97	RES,RK 223J 1/8 -CP
R560	06S55365Y65	RES,RK 102J 1/10 -CP
R561	06S55365Y65	RES,RK 102J 1/10 -CP
R562	06S55365Y97	RES,RK 223J 1/10 -CP
R566	06S55365Y65	RES,RK 102J 1/10 -CP
R571	06S55365Y97	RES,RK 223J 1/10 -CP
R572	06S55365Y67	RES,RK 122J 1/10 -CP
R573	06S55366Y39	RES,RK JUMPER1/10-CP
R574	06S55365Y65	RES,RK 102J 1/10 -CP
R575	06S55365Y65	RES,RK 102J 1/10 -CP

HDA-5460

R580	06S55365Y97	RES,RK 223J 1/10 -CP
R584	06S55365Y97	RES,RK 223J 1/10 -CP
R585	06S55365Y97	RES,RK 223J 1/10 -CP
R587	06S55365Y97	RES,RK 223J 1/10 -CP
R590	06S55365Y65	RES,RK 102J 1/10 -CP
R591	06S55365Y97	RES,RK 223J 1/10 -CP
R592	06S55365Y97	RES,RK 223J 1/10 -CP
R593	06S55365Y65	RES,RK 102J 1/10 -CP
R598	06S55365Y75	RES,RK 272J 1/10 -CP
R599	06S55365Y65	RES,RK 102J 1/10 -CP
R601	06S15593Y97	RES,RK 104F 1/10 -CP
R602	06S15593Y97	RES,RK 104F 1/10 -CP
R603	06S15593Y97	RES,RK 104F 1/10 -CP
R604	06S15593Y88	RES,RK 433F 1/10 -CP
R605	06S15593Y90	RES,RK 513F 1/10 -CP
R606	06S15593Y81	RES,RK 223F 1/10 -CP
R607	06S55365Y97	RES,RK 223J 1/10 -CP
R608	06S15593Y57	RES,RK 222F 1/10 -CP
R800	06S55361Y55	RES,RK 391J 1/4 -CP
R801	06S55361Y57	RES,RK 471J 1/4 -CP
R804	06S55361Y41	RES,RK 101J 1/4 -CP
R805	06S55361Y65	RES,RK 102J 1/4 -CP
R806	06S55361Y65	RES,RK 102J 1/4 -CP
R807	06S15593Y64	RES,RK 432F 1/10 -CP
R808	06S55361Y89	RES,RK 103J 1/4 -CP
R809	06S55361Y89	RES,RK 103J 1/4 -CP
R810	06S55361Y66	RES,RK 112J 1/4 -CP
R811	06S55361Y66	RES,RK 112J 1/4 -CP
R812	06S55361Y66	RES,RK 112J 1/4 -CP
R813	06S55361Y66	RES,RK 112J 1/4 -CP
R815	06S15593Y67	RES,RK 562F 1/10 -CP
R816	06S15593Y83	RES,RK 273F 1/10 -CP
R818	06S55361Y65	RES,RK 102J 1/4 -CP
R819	06S55361Y65	RES,RK 102J 1/4 -CP
R820	06S55361Y41	RES,RK 101J 1/4 -CP
R821	06S45675W45	RES,RK 1R0J 1/10 -CP
R822	06S55361Y71	RES,RK 182J 1/4 -CP
R824	06S15593Y73	RES,RK 103F 1/10 -CP
R825	06S15593Y63	RES,RK 392F 1/10 -CP
R826	06S55362Y06	RES,RK 473J 1/4 -CP
R827	06S55362Y39	RES,RK JUMPER 1/4-CP
R828	06S55361Y81	RES,RK 472J 1/4 -CP
R829	06S45348Y31	RES,RK 224F 1/4 -CP
R830	06S35083Y50	RES,RK 124F 1/4 -CP
R831	06S55366Y39	RES,RK JUMPER1/10-CP
R833	06S55366Y08	RES,RK 563J 1/10 -CP
R834	06S55365Y65	RES,RK 102J 1/10 -CP
R836	06S15593Y75	RES,RK 123F 1/10 -CP
R842	06S55361Y52	RES,RK 301J 1/4 -CP
R843	06S15593Y78	RES,RK 163F 1/10 -CP
R844	06S55362Y40	RES,RK 1R0J 1/4 -CP
R853	06S55366Y06	RES,RK 473J 1/10 -CP
R855	06S55366Y06	RES,RK 473J 1/10 -CP
R856	06S55361Y65	RES,RK 102J 1/4 -CP
R857	06S55365Y89	RES,RK 103J 1/10 -CP
R858	06S55366Y06	RES,RK 473J 1/10 -CP
R859	06S55361Y73	RES,RK 222J 1/4 -CP

HDA-5460

R860	06S55366Y06	RES,RK 473J 1/10 -CP
R861	06S55361Y52	RES,RK 301J 1/4 -CP
R862	06S55361Y77	RES,RK 332J 1/4 -CP
R863	06S55361Y73	RES,RK 222J 1/4 -CP
R864	06S55361Y73	RES,RK 222J 1/4 -CP
R865	06S55365Y07	RES,RK 3R9J 1/10 -CP
R866	06S55361Y73	RES,RK 222J 1/4 -CP
R871	06S45348Y31	RES,RK 224F 1/4 -CP
R876	06S55361Y50	RES,RK 241J 1/4 -CP
R877	06S70072F90	RES,CP .1R0-J-1/4-CP
R878	06S70072F90	RES,CP .1R0-J-1/4-CP
R879	06S70072F90	RES,CP .1R0-J-1/4-CP
R880	06S70072F90	RES,CP .1R0-J-1/4-CP
R882	06S15593Y84	RES,RK 303F 1/10 -CP
R883	06S15593Y57	RES,RK 222F 1/10 -CP
R884	06S15593Y63	RES,RK 392F 1/10 -CP
R886	06S55361Y47	RES,RK 181J 1/4 -CP
R888	06S55361Y65	RES,RK 102J 1/4 -CP
R889	06S55361Y65	RES,RK 102J 1/4 -CP
R890	06S55365Y97	RES,RK 223J 1/10 -CP
R891	06S55361Y62	RES,RK 751J 1/4 -CP
R896	06S55366Y06	RES,RK 473J 1/10 -CP
R898	06S55366Y39	RES,RK JUMPER1/10-CP
R899	06S55361Y52	RES,RK 301J 1/4 -CP
R900	06S55362Y39	RES,RK JUMPER 1/4-CP
R869	06S55361Y69	RES,RK 152J 1/4 -CP
R881	06S55365Y07	RES,RK 3R9J 1/10 -CP
R885	06S15593Y81	RES,RK 223F 1/10 -CP
R893	06S55362Y40	RES,RK 1R0J 1/4 -CP
R895	06S45675W45	RES,RK 1R0J 1/10 -CP
R897	06S55365Y01	RES,RK 2R2J 1/10 -CP
RA509	06S45591W06	RES,ARY MNR102J 4-CP
RA521	06S45591W06	RES,ARY MNR102J 4-CP
RA528	06S45591W06	RES,ARY MNR102J 4-CP
RA547	06S45591W06	RES,ARY MNR102J 4-CP
RA551	06S45591W06	RES,ARY MNR102J 4-CP
RA557	06S45591W06	RES,ARY MNR102J 4-CP
RA561	06S45591W06	RES,ARY MNR102J 4-CP
RA567	06S45591W06	RES,ARY MNR102J 4-CP
RA576	06S45591W06	RES,ARY MNR102J 4-CP
RA587	06S45591W06	RES,ARY MNR102J 4-CP
=====Connectors		
CB202	09T25436Y09	WTB,53253-0910 -DB
CB801	09T55228W04	WTB,SC25-04WS -DB
CB804	09T25436Y02	WTB,53253-0210 -DB
*****HDD P.W.Board		
=====IC's		
IC302	51T65263Y02	TA48033F-TE16L -NE5
IC304	51T35445Y01	TC7WHU04FU-TE12L-SE1
IC305	51T15720Y14	S-80927ANMP-T2 -CP
IC307	51T65566Y01	PP5002 -QT
IC351	51T45202Y56	MBM29LV160TE90 -ST
IC352	51T75267Y01	HY57V561620BT-HI-AST
IC353	51T15198Y02	LM2596SX-5.0 -NEA
IC354	51T65263Y03	TA48018F-TE16L1 -NE5
IC355	51T45703Y01	TA48M033F-TE16L -NE5

=====Transistors		
Q301	48T65318Y01	FET,HN1K02FU-85L -CP
Q305	48T64222F02	TR ,UN2212 22-22 -TX
Q306	48T73022F01	TR ,2SB766A
Q308	48T64222F02	TR ,UN2212 22-22 -TX
Q309	48T64222F01	TR ,UN2211 10-10 -TX
Q310	48T64222F01	TR ,UN2211 10-10 -TX
=====Diodes		
D302	48T25593Y01	DIO,S1G-6904 -E1
D303	48T25665Y01	DIO,1SS355-TE17 -CP
D307	48T25665Y01	DIO,1SS355-TE17 -CP
D308	48T15368Y01	DIO,SHT EC31QS04L-E1
D310	48T25593Y01	DIO,S1G-6904 -E1
D318	48T25593Y01	DIO,S1G-6904 -E1
D319	48T25593Y01	DIO,S1G-6904 -E1
D321	48T25593Y01	DIO,S1G-6904 -E1
D322	48T25593Y01	DIO,S1G-6904 -E1
SD305	48T15702W01	DIO,CP SB05-05CP
=====Coils		
L301	24T35196Y08	IND,SLF12555 101M-EA
L303	24T95456W18	FBI,BLM18BB121SH1-CP
L304	24T95456W18	FBI,BLM18BB121SH1-CP
L305	24T95456W13	FBI,BLM18BB470SH1-CP
=====Filters		
Z310	91T35420Y09	EMI,NFA31GD1006R8-CP
Z311	91T35420Y09	EMI,NFA31GD1006R8-CP
Z312	91T35420Y09	EMI,NFA31GD1006R8-CP
Z313	91T35420Y09	EMI,NFA31GD1006R8-CP
=====Crystals		
XL301	91T55217Y10	XTL,NX8045GB 24.0-E5
XL302	91T55217Y02	XTL,NX8045GB 33.8-E5
XL303	91T95554W01	XTL,CM200S 32.76K-E5
=====LED		
LD302	48T25534Y02	LED,RED BR1111C -CP
=====Switch		
SW301	40T55182W06	SW,TACT SKHVLC -R5 (RESET)
=====Capacitors		
C301	08S45231Y12	CAP,CER 9R0D-CH1H-CP
C302	08S45231Y12	CAP,CER 9R0D-CH1H-CP
C303	08S45231Y16	CAP,CER 18RJ-CH1H-CP
C304	08S45232Y17	CAP,CER 104K-B0J -CP
C305	08S45232Y17	CAP,CER 104K-B0J -CP
C306	08S45232Y17	CAP,CER 104K-B0J -CP
C307	08S45232Y05	CAP,CER 102K-B1H -CP
C309	08S45232Y03	CAP,CER 471K-B1H -CP
C310	08S45231Y17	CAP,CER 22RJ-CH1H-CP
C311	08S45231Y17	CAP,CER 22RJ-CH1H-CP
C313	08S45232Y17	CAP,CER 104K-B0J -CP
C315	08S45231Y09	CAP,CER 6R0D-CH1H-CP
C316	08S45231Y09	CAP,CER 6R0D-CH1H-CP
C317	08S45232Y17	CAP,CER 104K-B0J -CP
C318	08S45232Y17	CAP,CER 104K-B0J -CP
C319	08S45232Y17	CAP,CER 104K-B0J -CP
C320	08S45232Y15	CAP,CER 473K-B1A -CP
C321	08S45232Y17	CAP,CER 104K-B0J -CP
C322	08S45232Y17	CAP,CER 104K-B0J -CP

C324	08S45232Y17	CAP,CER 104K-B0J -CP
C325	08S45232Y17	CAP,CER 104K-B0J -CP
C326	08S45232Y17	CAP,CER 104K-B0J -CP
C327	08S45232Y17	CAP,CER 104K-B0J -CP
C328	08S45232Y17	CAP,CER 104K-B0J -CP
C329	08S45232Y17	CAP,CER 104K-B0J -CP
C331	08S45232Y17	CAP,CER 104K-B0J -CP
C332	08S45232Y14	CAP,CER 333K-B1C -CP
C333	08S45232Y05	CAP,CER 102K-B1H -CP
C334	08S45232Y05	CAP,CER 102K-B1H -CP
C336	08S35349Y12	CAP,CER 105K-B0J -CP
C337	08S45232Y14	CAP,CER 333K-B1C -CP
C351	08S45232Y17	CAP,CER 104K-B0J -CP
C352	08S45232Y17	CAP,CER 104K-B0J -CP
C353	08S45232Y17	CAP,CER 104K-B0J -CP
C354	08S45232Y17	CAP,CER 104K-B0J -CP
C355	08S45232Y17	CAP,CER 104K-B0J -CP
C356	08S45232Y17	CAP,CER 104K-B0J -CP
C357	08S45232Y17	CAP,CER 104K-B0J -CP
C358	08S45232Y17	CAP,CER 104K-B0J -CP
C359	08S45232Y13	CAP,CER 223K-B1C -CP
C360	08S45232Y13	CAP,CER 223K-B1C -CP
C361	08S45232Y14	CAP,CER 333K-B1C -CP
C362	08S45232Y14	CAP,CER 333K-B1C -CP
C363	08S45232Y14	CAP,CER 333K-B1C -CP
C364	08S45232Y14	CAP,CER 333K-B1C -CP
C366	08S45232Y14	CAP,CER 333K-B1C -CP
C367	08S45232Y17	CAP,CER 104K-B0J -CP
C368	08S45231Y17	CAP,CER 22RJ-CH1H-CP
C369	08S45231Y17	CAP,CER 22RJ-CH1H-CP
C373	08S45232Y17	CAP,CER 104K-B0J -CP
C374	08S45231Y14	CAP,CER 12RJ-CH1H-CP
C375	08S35349Y12	CAP,CER 105K-B0J -CP
E308	23T65114Y06	CAP,FK 221-0J-D -E6
E309	23T65114Y06	CAP,FK 221-0J-D -E6
E310	23T65114Y06	CAP,FK 221-0J-D -E6
E311	23T65114Y20	CAP,FK 101-1C-D -E6
E312	23S65134W21	CAP,ELY 33R-1A(5)-E3
E313	23S65134W21	CAP,ELY 33R-1A(5)-E3
E315	23T65679Y10	CAP,CD 33R-0J -E2
E316	23T65679Y10	CAP,CD 33R-0J -E2
E318	23S65134W21	CAP,ELY 33R-1A(5)-E3
E319	23S65134W21	CAP,ELY 33R-1A(5)-E3
E320	23S65134W21	CAP,ELY 33R-1A(5)-E3
E321	23T65679Y20	CAP,CD 22R-1B -E2
E322	23T65679Y20	CAP,CD 22R-1B -E2
=====Resistors		
L302	06S55362Y39	RES,RK JUMPER 1/4-CP
R301	06S15615Y89	RES,RK 473J 1/16 -CP
R302	06S15615Y49	RES,RK 102J 1/16 -CP
R303	06S15616Y23	RES,RK JUMPER1/16-CP
R304	06S55361Y97	RES,RK 223J 1/4 -CP
R307	06S15615Y89	RES,RK 473J 1/16 -CP
R308	06S15615Y89	RES,RK 473J 1/16 -CP
R309	06S15615Y43	RES,RK 561J 1/16 -CP
R310	06S15616Y23	RES,RK JUMPER1/16-CP
R311	06S15615Y49	RES,RK 102J 1/16 -CP

HDA-5460

R313	06S55366Y39	RES,RK JUMPER1/10-CP
R314	06S15615Y73	RES,RK 103J 1/16 -CP
R315	06S55361Y69	RES,RK 152J 1/4 -CP
R316	06S15615Y73	RES,RK 103J 1/16 -CP
R317	06S15615Y73	RES,RK 103J 1/16 -CP
R318	06S15615Y73	RES,RK 103J 1/16 -CP
R319	06S15615Y73	RES,RK 103J 1/16 -CP
R320	06S15615Y21	RES,RK 68RJ 1/16 -CP
R321	06S15616Y22	RES,RK 105J 1/16 -CP
R322	06S15615Y89	RES,RK 473J 1/16 -CP
R323	06S15615Y89	RES,RK 473J 1/16 -CP
R324	06S15615Y89	RES,RK 473J 1/16 -CP
R325	06S15616Y23	RES,RK JUMPER1/16-CP
R327	06S35083Y29	RES,RK 222F 1/4 -CP
R328	06S35083Y31	RES,RK 332F 1/4 -CP
R329	06S15593Y91	RES,RK 563F 1/10 -CP
R330	06S15615Y65	RES,RK 472J 1/16 -CP
R331	06S15615Y89	RES,RK 473J 1/16 -CP
R332	06S15593Y63	RES,RK 392F 1/10 -CP
R333	06S15615Y89	RES,RK 473J 1/16 -CP
R334	06S15615Y37	RES,RK 331J 1/16 -CP
R335	06S15616Y23	RES,RK JUMPER1/16-CP
R336	06S15615Y17	RES,RK 47RJ 1/16 -CP
R337	06S15615Y49	RES,RK 102J 1/16 -CP
R338	06S15615Y49	RES,RK 102J 1/16 -CP
R339	06S55365Y65	RES,RK 102J 1/10 -CP
R340	06S15615Y49	RES,RK 102J 1/16 -CP
R341	06S15615Y49	RES,RK 102J 1/16 -CP
R342	06S15616Y23	RES,RK JUMPER1/16-CP
R350	06S15616Y23	RES,RK JUMPER1/16-CP
R351	06S70072F43	RES,CP .391-J-1/4-CP
R352	06S15616Y23	RES,RK JUMPER1/16-CP
R353	06S55361Y69	RES,RK 152J 1/4 -CP
R354	06S15615Y73	RES,RK 103J 1/16 -CP
R355	06S15615Y73	RES,RK 103J 1/16 -CP
R356	06S15615Y73	RES,RK 103J 1/16 -CP
R357	06S15615Y89	RES,RK 473J 1/16 -CP
R358	06S15615Y89	RES,RK 473J 1/16 -CP
R359	06S15615Y89	RES,RK 473J 1/16 -CP
R360	06S15615Y89	RES,RK 473J 1/16 -CP
R361	06S15615Y81	RES,RK 223J 1/16 -CP
R362	06S15615Y49	RES,RK 102J 1/16 -CP
R363	06S15615Y59	RES,RK 272J 1/16 -CP
R364	06S15615Y73	RES,RK 103J 1/16 -CP
R367	06S15615Y97	RES,RK 104J 1/16 -CP
R370	06S15615Y97	RES,RK 104J 1/16 -CP
R372	06S15615Y97	RES,RK 104J 1/16 -CP
R373	06S15615Y97	RES,RK 104J 1/16 -CP
R374	06S15615Y97	RES,RK 104J 1/16 -CP
R375	06S15615Y97	RES,RK 104J 1/16 -CP
R377	06S15616Y23	RES,RK JUMPER1/16-CP
R379	06S15615Y59	RES,RK 272J 1/16 -CP
R380	06S15616Y23	RES,RK JUMPER1/16-CP
R381	06S15615Y97	RES,RK 104J 1/16 -CP
R382	06S55361Y97	RES,RK 223J 1/4 -CP
R383	06S15615Y73	RES,RK 103J 1/16 -CP
R384	06S15615Y73	RES,RK 103J 1/16 -CP

HDA-5460

R385	06S15594Y14	RES,RK 474F 1/10 -CP
R386	06S55361Y57	RES,RK 471J 1/4 -CP
R387	06S55361Y73	RES,RK 222J 1/4 -CP
R388	06S15615Y01	RES,RK 10RJ 1/16 -CP
R391	06S35083Y29	RES,RK 222F 1/4 -CP
R392	06S15615Y19	RES,RK 56RJ 1/16 -CP
R393	06S15615Y19	RES,RK 56RJ 1/16 -CP
R394	06S55361Y29	RES,RK 33RJ 1/4 -CP
R395	06S55361Y29	RES,RK 33RJ 1/4 -CP
R396	06S15615Y19	RES,RK 56RJ 1/16 -CP
R397	06S15615Y89	RES,RK 473J 1/16 -CP
R398	06S15615Y19	RES,RK 56RJ 1/16 -CP
R429	06S55366Y39	RES,RK JUMPER1/10-CP
R434	06S15615Y69	RES,RK 682J 1/16 -CP
R435	06S15615Y97	RES,RK 104J 1/16 -CP
R440	06S15615Y73	RES,RK 103J 1/16 -CP
R441	06S15615Y67	RES,RK 562J 1/16 -CP
R442	06S15615Y17	RES,RK 47RJ 1/16 -CP
R444	06S55362Y39	RES,RK JUMPER 1/4-CP
R445	06S55362Y39	RES,RK JUMPER 1/4-CP
R446	06S15616Y23	RES,RK JUMPER1/16-CP
R448	06S55362Y39	RES,RK JUMPER 1/4-CP
R457	06S15615Y97	RES,RK 104J 1/16 -CP
R458	06S15615Y97	RES,RK 104J 1/16 -CP
R462	06S15615Y21	RES,RK 68RJ 1/16 -CP
R464	06S15616Y23	RES,RK JUMPER1/16-CP
R465	06S55366Y39	RES,RK JUMPER1/10-CP
R466	06S15615Y43	RES,RK 561J 1/16 -CP
R467	06S15615Y43	RES,RK 561J 1/16 -CP
R469	06S55366Y39	RES,RK JUMPER1/10-CP
R470	06S15615Y97	RES,RK 104J 1/16 -CP
R472	06S15615Y97	RES,RK 104J 1/16 -CP
R473	06S15615Y97	RES,RK 104J 1/16 -CP
R476	06S15615Y97	RES,RK 104J 1/16 -CP
R478	06S15615Y97	RES,RK 104J 1/16 -CP
R479	06S15615Y97	RES,RK 104J 1/16 -CP
R481	06S15615Y49	RES,RK 102J 1/16 -CP
R482	06S15615Y49	RES,RK 102J 1/16 -CP
R487	06S15615Y97	RES,RK 104J 1/16 -CP
R490	06S15615Y97	RES,RK 104J 1/16 -CP
R491	06S15615Y97	RES,RK 104J 1/16 -CP
R493	06S15615Y97	RES,RK 104J 1/16 -CP
R496	06S15615Y97	RES,RK 104J 1/16 -CP
R497	06S55365Y45	RES,RK 151J 1/10 -CP
RA302	06S15771Y09	RES,ARYEXB28V47RJ-CP
RA303	06S15771Y09	RES,ARYEXB28V47RJ-CP
RA304	06S15771Y37	RES,ARYEXB28V103J-CP
RA305	06S15771Y37	RES,ARYEXB28V103J-CP
RA306	06S15771Y09	RES,ARYEXB28V47RJ-CP
RA307	06S15771Y09	RES,ARYEXB28V47RJ-CP
RA308	06S15771Y37	RES,ARYEXB28V103J-CP
RA310	06S15771Y37	RES,ARYEXB28V103J-CP
RA311	06S15771Y09	RES,ARYEXB28V47RJ-CP
RA316	06S15771Y10	RES,ARYEXB28V56RJ-CP
RA317	06S15771Y10	RES,ARYEXB28V56RJ-CP
RA318	06S15771Y10	RES,ARYEXB28V56RJ-CP
RA319	06S15771Y10	RES,ARYEXB28V56RJ-CP

HDA-5460

RA320	06S15771Y10	RES,ARYEXB28V56RJ-CP
RA321	06S15771Y05	RES,ARYEXB28V22RJ-CP
RA322	06S15771Y10	RES,ARYEXB28V56RJ-CP
=====Connectors		
CB301	09T15108Y10	FFC,52746-1090 -E9
CB304	09T75236Y20	BTB,BTFW20R-3RSTA-EJ
CB305	09T45507Y50	FFC,IMSA9631S-50Y-EQ
*****FRONT P.W.Board		
=====IC's		
IC901	51T65395Y08	MTP,D70F3030BGC -QT
IC902	51T65494Y01	M66710FP -QT
IC903	51T75127Y01	IC,HY23C16202MXXX-ST
IC904	51T75128Y01	IC,HY23C16202MXXX-ST
IC905	51T55336Y01	TC7SH04FU-TE85L -CP
IC906	51T25189Y01	S-81233SGUP-T1 -NE2
=====Transistors		
Q901	48T64222F01	TR ,UN2211 10-10 -TX
Q902	48T63788F04	TR ,CP.2SD1328-T -TX
Q903	48T64222F01	TR ,UN2211 10-10 -TX
Q904	48T64222F01	TR ,UN2211 10-10 -TX
Q908	48T63419F04	TR,CP.2SA1036K-HR-96
Q909	48T64222F12	TR,UN221L-TX -CP
Q910	48T64222F01	TR ,UN2211 10-10 -TX
Q911	48T64222F03	TR ,UN2213 47-47 -TX
=====Diodes		
D901	48T85357W01	DIO,1PS226 -CP
ZD910	48T15541Y59	DIO,ZEN MAZS0680H-CP
ZD911	48T15541Y26	DIO,ZEN MAZS240 -CP
=====LED's		
LD901	48T25534Y01	LED,GRN BG1111C -CP
LD902	48T25534Y01	LED,GRN BG1111C -CP
LD903	48T25534Y02	LED,RED BR1111C -CP
LD904	48T65176Y02	LED,BLU DB1111C -CP
LD913	48T25534Y01	LED,GRN BG1111C -CP
LD914	48T25534Y01	LED,GRN BG1111C -CP
LD915	48T25534Y01	LED,GRN BG1111C -CP
LD916	48T25534Y01	LED,GRN BG1111C -CP
LD917	48T25534Y01	LED,GRN BG1111C -CP
LD918	48T65176Y01	LED,GRN DG1111C -CP
LD919	48T25534Y01	LED,GRN BG1111C -CP
LD920	48T25534Y01	LED,GRN BG1111C -CP
=====Filters		
Z901	91T15058Y07	EMI,NFE31PT222Z1E-CP
Z902	91T15058Y07	EMI,NFE31PT222Z1E-CP
Z903	91T15058Y07	EMI,NFE31PT222Z1E-CP
Z904	91T35420Y02	EMI,NFA31GD470101-CP
Z905	91T35420Y02	EMI,NFA31GD470101-CP
Z906	91T25537Y04	EMI,NFR21GD470680-CP
Z907	91T35420Y02	EMI,NFA31GD470101-CP
Z908	91T35420Y02	EMI,NFA31GD470101-CP
Z909	91T35420Y02	EMI,NFA31GD470101-CP
Z910	91T35420Y02	EMI,NFA31GD470101-CP
Z911	91T35420Y02	EMI,NFA31GD470101-CP
=====Switches		
SW903	40T65353Y01	SW,TACT SKRSPACE010E2 (DISP)

HDA-5460

SW904	40T65353Y01	SW,TACT SKRSPACE010E2 (MENU)
SW905	40T65353Y01	SW,TACT SKRSPACE010E2 (POWER)
=====Crystal		
XL901	91T55217Y05	XTL,NX8045GB 20.0-E5
=====Capacitors		
C901	08S45677W10	CAP,CER 8R0D-CH1H-CP
C902	08S45677W10	CAP,CER 8R0D-CH1H-CP
C903	08S35374W01	CAP,CER 104K-B1E-CP
C910	08S35350Y05	CAP,CER 105K-B1A -CP
C911	08S35350Y05	CAP,CER 105K-B1A -CP
C912	08S35374W12	CAP,CER 106K-B0J -CP
C913	08S35374W12	CAP,CER 106K-B0J -CP
C914	08S35350Y05	CAP,CER 105K-B1A -CP
C915	08S45677W36	CAP,CER.101J-CH1H-CP
C916	08S35374W12	CAP,CER 106K-B0J -CP
C917	08S35350Y05	CAP,CER 105K-B1A -CP
C918	08S35350Y05	CAP,CER 105K-B1A -CP
C919	08S35350Y05	CAP,CER 105K-B1A -CP
C920	08S35350Y05	CAP,CER 105K-B1A -CP
C921	08S35350Y05	CAP,CER 105K-B1A -CP
C923	08S35374W11	CAP,CER 475K-B0J -CP
C924	08S35374W12	CAP,CER 106K-B0J -CP
C925	08S35350Y05	CAP,CER 105K-B1A -CP
C934	08S35350Y05	CAP,CER 105K-B1A -CP
C935	08S35374W12	CAP,CER 106K-B0J -CP
C936	08S35374W12	CAP,CER 106K-B0J -CP
C937	08S45677W36	CAP,CER.101J-CH1H-CP
C938	08S35350Y05	CAP,CER 105K-B1A -CP
C939	08S35350Y05	CAP,CER 105K-B1A -CP
C940	08S35374W12	CAP,CER 106K-B0J -CP
C941	08T81833F10	CAP,CER 106K-B0J -CP
C943	08S35350Y05	CAP,CER 105K-B1A -CP
C944	08S60102F48	CAP,CER 105K-B1E -CP
C945	08S35374W12	CAP,CER 106K-B0J -CP
C946	08S45677W36	CAP,CER.101J-CH1H-CP
C947	08S45677W36	CAP,CER.101J-CH1H-CP
C948	08S45676W85	CAP,CER 104K-B1C -CP
C950	08S45677W29	CAP,CER 51RJ-CH1H-CP
C951	08S45677W29	CAP,CER 51RJ-CH1H-CP
=====Resistors		
R901	06S15593Y71	RES,RK 822F 1/10 -CP
R902	06S15593Y53	RES,RK 152F 1/10 -CP
R903	06S15593Y57	RES,RK 222F 1/10 -CP
R904	06S15593Y61	RES,RK 332F 1/10 -CP
R905	06S15593Y67	RES,RK 562F 1/10 -CP
R906	06S15593Y51	RES,RK 122F 1/10 -CP
R907	06S55365Y53	RES,RK 331J 1/10 -CP
R908	06S55365Y97	RES,RK 223J 1/10 -CP
R909	06S55365Y53	RES,RK 331J 1/10 -CP
R911	06S55361Y57	RES,RK 471J 1/4 -CP
R912	06S55365Y65	RES,RK 102J 1/10 -CP
R913	06S55365Y65	RES,RK 102J 1/10 -CP
R914	06S55365Y41	RES,RK 101J 1/10 -CP
R915	06S55361Y76	RES,RK 302J 1/4 -CP
R916	06S55365Y97	RES,RK 223J 1/10 -CP

R917	06S55365Y97	RES,RK 223J 1/10 -CP
R918	06S55365Y65	RES,RK 102J 1/10 -CP
R919	06S55366Y14	RES,RK 104J 1/10 -CP
R920	06S55366Y14	RES,RK 104J 1/10 -CP
R921	06S55365Y97	RES,RK 223J 1/10 -CP
R922	06S55365Y65	RES,RK 102J 1/10 -CP
R923	06S55366Y14	RES,RK 104J 1/10 -CP
R924	06S55366Y14	RES,RK 104J 1/10 -CP
R925	06S55366Y14	RES,RK 104J 1/10 -CP
R926	06S55366Y14	RES,RK 104J 1/10 -CP
R927	06S55365Y65	RES,RK 102J 1/10 -CP
R928	06S55365Y49	RES,RK 221J 1/10 -CP
R929	06S55365Y49	RES,RK 221J 1/10 -CP
R930	06S55365Y49	RES,RK 221J 1/10 -CP
R931	06S55365Y65	RES,RK 102J 1/10 -CP
R932	06S55365Y97	RES,RK 223J 1/10 -CP
R933	06S55365Y97	RES,RK 223J 1/10 -CP
R934	06S55365Y41	RES,RK 101J 1/10 -CP
R935	06S55365Y65	RES,RK 102J 1/10 -CP
R936	06S55365Y65	RES,RK 102J 1/10 -CP
R937	06S55365Y97	RES,RK 223J 1/10 -CP
R938	06S55365Y97	RES,RK 223J 1/10 -CP
R939	06S55365Y97	RES,RK 223J 1/10 -CP
R940	06S55361Y72	RES,RK 202J 1/4 -CP
R942	06S55361Y51	RES,RK 271J 1/4 -CP
R943	06S55361Y57	RES,RK 471J 1/4 -CP
R944	06S55365Y97	RES,RK 223J 1/10 -CP
R946	06S55365Y97	RES,RK 223J 1/10 -CP
R948	06S55361Y71	RES,RK 182J 1/4 -CP
R951	06S55365Y65	RES,RK 102J 1/10 -CP
R952	06S55361Y51	RES,RK 271J 1/4 -CP
R958	06S55365Y73	RES,RK 222J 1/10 -CP
R959	06S55361Y51	RES,RK 271J 1/4 -CP
R962	06S55362Y39	RES,RK JUMPER 1/4-CP
R963	06S55365Y89	RES,RK 103J 1/10 -CP
R964	06S55365Y98	RES,RK 243J 1/10 -CP
R965	06S55361Y57	RES,RK 471J 1/4 -CP
R967	06S55365Y39	RES,RK 82RJ 1/10 -CP
R968	06S55365Y53	RES,RK 331J 1/10 -CP
R969	06S55365Y53	RES,RK 331J 1/10 -CP
R970	06S55365Y97	RES,RK 223J 1/10 -CP
R974	06S55365Y97	RES,RK 223J 1/10 -CP
R975	06S55365Y97	RES,RK 223J 1/10 -CP
R976	06S55365Y57	RES,RK 471J 1/10 -CP
R977	06S55361Y57	RES,RK 471J 1/4 -CP
R978	06S55365Y57	RES,RK 471J 1/10 -CP
R979	06S55365Y97	RES,RK 223J 1/10 -CP
R980	06S55365Y97	RES,RK 223J 1/10 -CP
R983	06S55365Y41	RES,RK 101J 1/10 -CP
R984	06S55365Y97	RES,RK 223J 1/10 -CP
R985	06S55365Y97	RES,RK 223J 1/10 -CP
R987	06S55365Y41	RES,RK 101J 1/10 -CP
R988	06S55365Y41	RES,RK 101J 1/10 -CP
R990	06S55365Y41	RES,RK 101J 1/10 -CP
R992	06S55365Y41	RES,RK 101J 1/10 -CP
R993	06S55365Y53	RES,RK 331J 1/10 -CP
R994	06S55363Y65	RES,RK 102J 1/8 -CP

HDA-5460

R995	06S55363Y65	RES,RK 102J 1/8 -CP
R996	06S55363Y65	RES,RK 102J 1/8 -CP
R997	06S55363Y65	RES,RK 102J 1/8 -CP
R998	06S55363Y65	RES,RK 102J 1/8 -CP
R999	06S55363Y65	RES,RK 102J 1/8 -CP
R1000	06S15593Y57	RES,RK 222F 1/10 -CP
R1001	06S55365Y53	RES,RK 331J 1/10 -CP
R1002	06S55365Y97	RES,RK 223J 1/10 -CP
R1003	06S55365Y97	RES,RK 223J 1/10 -CP
R1004	06S55365Y49	RES,RK 221J 1/10 -CP
R1005	06S55365Y49	RES,RK 221J 1/10 -CP
R1006	06S55365Y49	RES,RK 221J 1/10 -CP
R1007	06S55365Y49	RES,RK 221J 1/10 -CP
R1008	06S55365Y53	RES,RK 331J 1/10 -CP
R1009	06S55365Y41	RES,RK 101J 1/10 -CP
R1010	06S55365Y41	RES,RK 101J 1/10 -CP
R1011	06S55365Y53	RES,RK 331J 1/10 -CP
R1012	06S15615Y25	RES,RK 101J 1/16 -CP
R1016	06S55365Y53	RES,RK 331J 1/10 -CP
R1017	06S55366Y39	RES,RK JUMPER1/10-CP
R1018	06S55365Y53	RES,RK 331J 1/10 -CP
R1019	06S55365Y53	RES,RK 331J 1/10 -CP
R1020	06S55365Y53	RES,RK 331J 1/10 -CP
R1021	06S55365Y53	RES,RK 331J 1/10 -CP
R1022	06S55365Y53	RES,RK 331J 1/10 -CP
RA914	06S45591W13	RES,ARY MNR221J 4-CP
RA918	06S45591W14	RES,ARY MNR471J 4-CP
RA920	06S45591W13	RES,ARY MNR221J 4-CP
RA922	06S45591W14	RES,ARY MNR471J 4-CP
RA924	06S45591W13	RES,ARY MNR221J 4-CP
RA927	06S45591W14	RES,ARY MNR471J 4-CP
RA936	06S45591W14	RES,ARY MNR471J 4-CP
RA939	06S45591W14	RES,ARY MNR471J 4-CP
RA945	06S45591W14	RES,ARY MNR471J 4-CP
RA949	06S45591W14	RES,ARY MNR471J 4-CP
RA965	06S15771Y13	RES,ARYEXB28V101J-CP
RA982	06S15771Y25	RES,ARYEXB28V102J-CP
RA983	06S15771Y37	RES,ARYEXB28V103J-CP
RA990	06S45591W06	RES,ARY MNR102J 4-CP
=====Connector		
CB902	09T45593Y30	FFC,54132-3092 -EQ
*****JOINT P.W.Board		
=====Capacitor		
C3001	08S45677W60	CAP,CER 102J-CH1H-CP
=====Resistors		
R3005	06S55366Y39	RES,RK JUMPER1/10-CP
R3010	06S55366Y39	RES,RK JUMPER1/10-CP
R3014	06S55366Y39	RES,RK JUMPER1/10-CP
R3015	06S55366Y39	RES,RK JUMPER1/10-CP
R3016	06S55366Y39	RES,RK JUMPER1/10-CP
R3017	06S55366Y39	RES,RK JUMPER1/10-CP
R3018	06S55366Y39	RES,RK JUMPER1/10-CP
R3019	06S55366Y39	RES,RK JUMPER1/10-CP
=====Connectors		
CB3001	09T75237Y20	BTB,BTFW20P-3SSTA-EJ
CB3002	09T45223Y20	PIN,IMSA9220B-20Z-DB

HDA-5460

*****FPC,F2Y090 P.W.Board

=====Connector

CH305	09T75017Y43	BTB,IMSA9705S-43Z-DB
-------	-------------	----------------------

*****Miscellaneous

CB302	09T65226Y05	WTB,54819-012-05 -EA (USB)
CB501	09T15299Y15	BTB,TMD-V15X-B1 -DB
CH901	09T15298Y15	BTB,TMD-V15P-A1 -B
DIN202	09T55071W12	CON,TCP9389-11-1030 (Ai-NET IN)
ET202	01T45060Y02	ASSY,WIRE AI TA5460 (Ai-NET OUT)
ET801	01T65699Y02	ASSY,WIRE PWR TM5460 (GND/BATT/ACC)
JK002	09T65792Y01	RCA,T5857-AABD -DB (MUSIC V IN/LINE OUT)
JK301	09T65319Y01	JAC,HEC3150-012110EA (7.5V)
M804	59T55190Y15	MOTOR,F2510CT-12UCV (FAN MOTOR/12V-40mA)
OELD902	01T65533Y01	OELD,UEL10012
SW901	40T65388Y01	ENC,EC11EBB24C -DB (ROTARY ENCODER/MODE)
SW902	40T65389Y01	ENC,EC11101203 -B (UP/DOWN)

Cabinet Assembly Parts List

Note : The part that has not PART NUMBER will not be supplied.

1	01V66330Y65	ASSY,NOSE UNIT 5460A
2	-----	COVER, TOP
3	-----	CHAS, BASE
4	14B61177Y01	INSULATOR, MAIN
5	13C03271K02	NOSE, BASE ASSY
6	15B03460K01	CASE, ESC ASSY
7	03S44205G29	SCR, T-TITE M2.6X6
8	03S40012G41	SCR, TPG M3X8
9	03T25225Y01	SCR, GND
12	15B03459K01	CASE, BOTTOM ASSY
13	15C03283K01	CASE, TOP
14	14A61178Y01	INSULATOR, CARTRIDGE
15	61A03287K01	LENS, IND(CARTRIDGE)
16	07B61039Y01	BKT, HDD
17	03B41190Y02	SCR, BOLT 6K M2X12
18	03S40014G09	SCR, MCH M3X5
19	75S61553Y13	CUS, RUB 70X5XT2
20	75S61553Y14	CUS, RUB 10X50XT2
21	75S61553Y18	CUS, RUB 11X13.8XT1
22	14S31545Y53	INS, CVR 52X32XT0.1
23	75T65297Y15	CUSHION, SLD 5-5-18
24	75T65297Y17	CUSHION, SLD 18-2-40
25	75T65297Y18	CUSHION, SLD 10-5.5-13
26	75T65297Y19	CUSHION, SLD 13-5.5-8
27	14T45171Y08	EMI, K4E(05)-50X30
28	01T95113F14	ASSY, LUG WIRE 5460
29	14S50096Y97	INS, CVR 6X6XT0.1
30	14S50096Y33	INS, CVR 10X10XT0.188
31	84T75016Y01	FPC, F2Y090
32	01T65536Y01	MK1620GAP
34	36A70327W01	KNOB, SLIDE
35	07A61037Y01	BKT, CONN
36	29C41045P07	LUG, BOARD-IN 30MM
41	13C03252K02	NOSE, PIECE ASSY
42	13D03277K01	NOSE, BOTTOM(HDD)
43	03S68555F39	SCR, WAVE M1.7X10 BLK
44	36B03267K01	KNOB, SELF ASSY
45	36C03269K01	KNOB, VOLUME
46	36C03270K01	KNOB, ENTER
47	30T25132Y20	FFC, SML2CD-30X35-P.5
48	-----	BKT, CHAS REAR
49	-----	BKT, FAN
50	03S94385F91	SCR, NYLOK M2X14
51	54A70405Y01	LABEL, CAUTION HDD-A
52	54A61430Y01	LABEL, HDD
53	33C01797K01	FACE, PLATE
54	07D00749K01	BKT, SIDE L
55	07D00749K02	BKT, SIDE R
56	03S44205G41	SCR, T-TITEM2.6X4 BLK