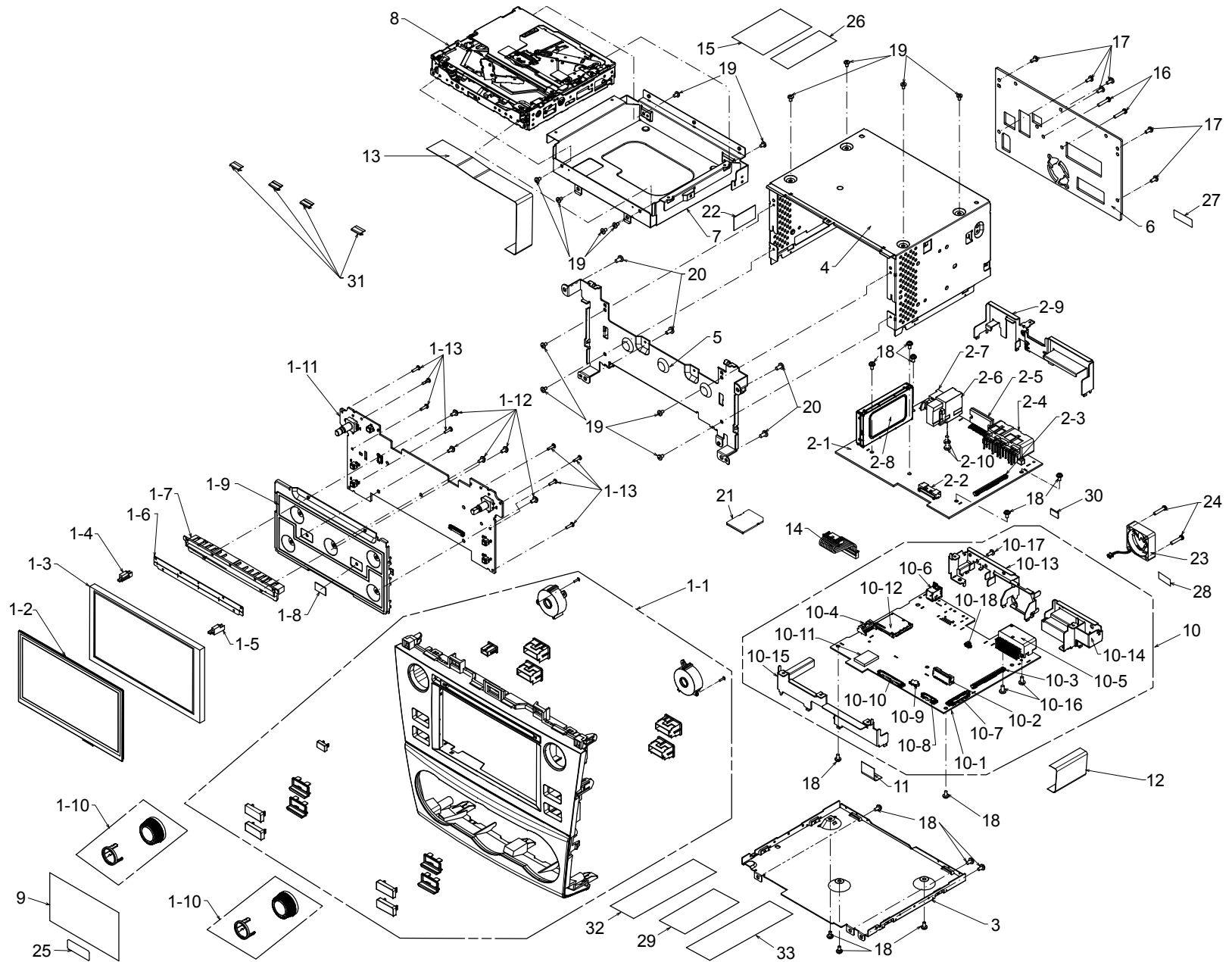


# EXPLODED VIEW / PARTS LIST

## Parts list

NO.	PART NO.	DESCRIPTION	Q'TY	NO.	PART NO.	DESCRIPTION	Q'TY
1	-	*Unused number	-	10-7	074-2248-40	OUTLET SOCKET	1
1-1	940-8790-70	ES-ASSY(for PF3731BA)	1	10-8	074-2248-30	OUTLET SOCKET	1
	940-8790-41	ES-ASSY(for PF3732BA)		10-9	074-2249-04	OUTLET SOCKET	1
1-2	013-9745-00	TOUCH PANEL	1	10-10	074-2248-60	OUTLET SOCKET	1
1-3	379-0491-02	TFT	1	10-11	060-8162-90	BLUETOOTH MODUL	1
1-4	335-9939-02	MOLDED PART	1	10-12	074-8017-91	OUTLET SOCKET	1
1-5	335-9938-02	MOLDED PART	1	10-13	331-5533-03	PRESSED PART	1
1-6	346-0314-11	LEATHER SHEET	1	10-14	331-5534-01	PRESSED PART	1
1-7	335-9937-00	MOLDED PART	1	10-15	331-5586-01	PRESSED PART	1
1-8	331-3038-50	EARTH PLATE	1	10-16	778-3006-00	TAP-SCREW	2
1-9	331-5532-03	PRESSED PART	1	10-17	714-2606-8B	MACHINE SCREW	1
1-10	947-0863-02	KNOB ASSY	2	10-18	076-0569-02	PLUG	1
1-11	.990-1009A	SW PWB ASSY(3658B7-77)	1	11	816-3135-55	FLAT WIRE	1
1-12	716-0878-50	SPECIAL SCREW	5	12	816-3105-55	FLAT WIRE	1
1-13	716-0778-52	SPECIAL SCREW	8	13	816-3167-57	FLAT WIRE	1
2	-	*Unused number	-	14	854-4667-52	EXTENSION LEAD	1
2-1	-----	MAIN PWB	1	15	276-1136-81	SETPLATE(for PF3731BA)	1
2-2	076-6021-60	PLUG	1		276-1136-82	SETPLATE(for PF3732BA)	
2-3	074-2248-80	OUTLET SOCKET	1	16	714-2614-8B	MACHINE SCREW	2
2-4	074-1261-00	OUTLET SOCKET	1	17	714-2606-8B	MACHINE SCREW	6
2-5	051-2077-00	IC	1	18	716-0878-50	SPECIAL SCREW	13
2-6	092-2260-00	ANT-RECEPT	1	19	714-2604-8B	MACHINE SCREW	14
2-7	092-2259-00	ANT-RECEPT(for PF3732BA)	1	20	778-3006-51	TAP SCREW	4
2-8	941-0260-01	XM TUNER(for PF3732BA)	1	21	.440-3679A	SD CARD(3679A0-40)	1
2-9	331-5535-04	BRKT-C	1	22	347-9373-00	PAPER PART	1
2-10	778-3006-00	TAP-SCREW	2	23	020-3066-00	DC-MOTOR	1
3	311-2084-11	LOWER CASE	1	24	732-2614-1B	SEMS SCREW	2
4	310-2026-12	UPPER CASE	1	25	290-0919-00	XM LABEL(for PF3732BA)	1
5	309-2002-01	FRONT PLATE	1	26	-----	LABEL (HD certification)(075400-290)	1
6	313-2194-12	HEAT SINK	1	27	290-0548-68	QR CODE LABEL(FR61) (for PF3731BA)	1
7	331-5531-01	PRESSED PART	1		290-0548-69	QR CODE LABEL(FR71) (for PF3732BA)	1
8	929-5400-80	CD-MECH-MODULE	1	28	347-9381-00	PROTECT-SHEET	1
9	347-9449-02	PROTECTOR	1	29	290-0920-00	LABEL(XM) (for PF3732BA)	1
10	.990-1028A	NAVI PWB ASSY(3731A7-78)	1	30	345-6717-00	GASKET(for PF3732BA)	1
10-1	-----	CPU PWB	1	31	347-9492-00	PAPER PART	4
10-2	076-6030-60	PLUG	1	32	-	N/A(LABEL)	-
10-3	074-2248-80	OUTLET SOCKET	1	33	-----	N/A(BSMI LABEL)	-
10-4	076-6023-07	PLUG	1				
10-5	074-1302-28	OUTLET SOCKET	1				
10-6	074-4105-00	OUTLET SOCKET	1				



# ELECTRICAL PARTS LIST

MAIN PWB(B1) section : for PF-3731B-A

\* Neither the part numbers of parts on which software is written, nor part numbers of parts for which replacement is prohibited in the production process are listed in the parts list.

REF NO.	PART NO.	DESCRIPTION	REF NO.	PART NO.	DESCRIPTION	REF NO.	PART NO.	DESCRIPTION
ANT100	092-2260-00	ANT-RECEPT(3P)	C250	046-1042-78	0.1uF K B	C430	043-5600-90	0.10uF
C100	166-1201-50	12pF CH	C251	042-4033-90	6.3V 220uF	C431	168-1042-38	50V 0.1uF K
C102	046-1022-58	50V 1000pF	C252	045-1007-50	10 +/-0.5pF CH	C501	046-1042-78	0.1uF K B
C103	046-1022-58	50V 1000pF	C253	045-1007-50	10 +/-0.5pF CH	C502	165-1073-35	16V 100uF
C104	045-3901-50	39pFJ CH	C254	168-1052-78	16V 1uF K	C505	168-1052-78	16V 1uF K
C105	045-1211-50	120pFJ CH	C255	046-1042-78	0.1uF K B	C506	168-1052-78	16V 1uF K
C106	045-1501-50	15pFJ CH	C256	043-0552-90	6.3V 47uF M	C545	046-6822-58	6800pF K B
C107	045-2211-50	220pFJ CH	C257	046-1042-78	0.1uF K B	C546	046-1042-78	0.1uF K B
C108	046-3922-58	3900pF K B	C258	046-1042-78	0.1uF K B	C547	046-6822-58	6800pF K B
C109	046-1022-58	50V 1000pF	C259	046-1042-78	0.1uF K B	C548	046-1042-78	0.1uF K B
C110	046-1032-78	0.01uF K B	C260	046-1042-78	0.1uF K B	C549	043-0562-90	10V 0.22uF
C111	046-1032-78	0.01uF K B	C261	046-4712-58	470pF K B	C550	043-0602-90	10uF
C112	045-5096-50	5pF +/-0.25pF CH	C262	178-2255-79	2.2uF	C551	043-0562-90	10V 0.22uF
C113	046-3322-58	3300pF K B	C263	178-2255-79	2.2uF	C552	168-1052-78	16V 1uF K
C114	046-2232-78	0.022uF K B	C264	166-2201-50	22pF CH	C553	046-1042-78	0.1uF K B
C115	046-1022-58	50V 1000pF	C265	166-2201-50	22pF CH	C555	046-2222-58	2200pF K B
C116	046-2232-78	0.022uF K B	C269	045-4701-50	47pF CH	C558	046-2222-58	2200pF K B
C117	046-2232-78	0.022uF K B	C270	045-4701-50	47pF CH	C560	046-1042-78	0.1uF K B
C118	046-2232-78	0.022uF K B	C271	045-4701-50	47pF CH	C561	043-7402-90	16V 22uF
C119	046-2232-78	0.022uF K B	C272	045-4701-50	47pF CH	C562	043-7402-90	16V 22uF
C120	043-0562-90	10V 0.22uF	C275	046-1042-78	0.1uF K B	C567	043-7402-90	16V 22uF
C121	046-2232-78	0.022uF K B	C276	046-1042-78	0.1uF K B	C568	043-7402-90	16V 22uF
C122	043-0563-90	16V 47uF	C279	178-2255-79	2.2uF	C573	043-7402-90	16V 22uF
C124	045-2201-50	22pFJ CH	C280	178-2255-79	2.2uF	C574	042-4015-91	25V 470uF
C128	045-2201-50	22pFJ CH	C281	166-2201-50	22pF CH	C575	043-7503-90	4.7uF
C131	045-4796-50	4.7pFJ CH	C282	166-2201-50	22pF CH	C576	043-7503-90	4.7uF
C132	046-1042-78	0.1uF K B	C283	043-6401-90	16V 10uF	C577	043-7503-90	4.7uF
C164	033-0000-05	1/16W 0 ohm	C300	166-2711-50	270pF CH	C579	043-0554-90	25V 10uF
C165	033-0000-05	1/16W 0 ohm	C301	166-2711-50	270pF CH	D100	001-9013-90	BA891
C177	046-1022-58	50V 1000pF	C302	178-2732-78	0.027uF	D101	001-9013-90	BA891
C203	168-4752-98	4.7uF K	C303	178-2732-78	0.027uF	D400	001-2412-90	RR264M-400
C204	168-4752-98	4.7uF K	C304	178-2732-78	0.027uF	D401	001-2403-90	M1F60
C205	046-1042-78	0.1uF K B	C305	178-2732-78	0.027uF	D402	001-2403-90	M1F60
C206	046-1042-78	0.1uF K B	C306	166-5611-50	560pF CH	D503	001-2403-90	M1F60
C207	046-1042-78	0.1uF K B	C307	166-5611-50	560pF CH	D504	001-2403-90	M1F60
C208	046-1042-78	0.1uF K B	C308	166-2201-50	22pF CH	D505	001-2633-90	1SS388-TPL3,F
C209	046-1042-78	0.1uF K B	C309	166-2201-50	22pF CH	D506	001-2633-90	1SS388-TPL3,F
C210	045-8097-50	8pF +/-0.5pF CH	C310	166-2201-50	22pF CH	IC101	-----	TEF7000(Tuner) (Thermal pad) (402590-051)
C211	045-1007-50	10 +/-0.5pF CH	C311	166-2201-50	22pF CH	IC200	-----	SAF7741HV/N127 (DSP) (Thermal pad) (674710-051)
C212	046-1042-78	0.1uF K B	C312	166-5611-50	560pF CH	IC301	051-2077-00	TB2959HQ
C214	168-4752-98	4.7uF K	C313	166-5611-50	560pF CH	IC302	051-3034-90	NJM4558V
C216	046-1042-78	0.1uF K B	C314	166-2711-50	270pF CH	IC303	051-3034-90	NJM4558V
C217	168-4752-98	4.7uF K	C315	166-2711-50	270pF CH	IC401	051-5418-08	S-80827CNMC- B8M-T2
C218	046-1042-78	0.1uF K B	C316	168-2242-58	0.22uF K	IC402	051-5418-08	S-80827CNMC- B8M-T2
C219	046-1042-78	0.1uF K B	C317	168-2242-58	0.22uF K	IC500	-----	BD00C0AWFP (Voltage regulator) (Thermal pad) (358290-051)
C220	046-1042-78	0.1uF K B	C318	168-2242-58	0.22uF K	IC502	051-3639-90	AP3405DS
C221	043-0559-90	6.3V 22uF	C321	042-4007-90	50V 10uF M	IC503	051-3767-90	BD00GC0EEFJ- ME2
C222	168-1052-78	16V 1uF K	C322	168-1052-78	16V 1uF K	J680	074-2248-80	80P
C223	046-1042-78	0.1uF K B	C323	043-0574-90	25V 1.0uF	L100	010-2198-62	0.27uH
C224	046-1042-78	0.1uF K B	C328	042-0630-50	16V 100uF	L101	010-3406-56	3.3uH J
C225	046-1042-78	0.1uF K B	C329	168-1042-78	16V 0.1uF K	L102	010-3406-46	0.47uH J
C226	046-1042-78	0.1uF K B	C330	ADZ0292	6.3V 220uF	L103	010-3439-51	1.8uH
C227	046-1042-78	0.1uF K B	C331	168-2242-58	0.22uF K	L104	010-3406-42	0.22uH
C228	046-1042-78	0.1uF K B	C332	168-1052-78	16V 1uF K	L105	010-3104-54	600 ohm/100MHz
C229	046-1042-78	0.1uF K B	C334	168-2242-58	0.22uF K	L106	010-2290-52	330uH
C230	046-3322-58	3300pF K B	C335	046-1042-78	0.1uF K B	L107	010-2290-52	330uH
C231	046-1022-58	50V 1000pF	C336	046-1042-78	0.1uF K B	L200	010-3105-62	1k ohm/100MHz
C232	042-4015-90	16V 470uF	C400	165-1053-65	50V 1uF	L201	010-3104-54	600 ohm/100MHz
C233	046-3322-58	3300pF K B	C402	168-2222-55	2200pF K	L202	010-3104-54	600 ohm/100MHz
C234	046-1022-58	50V 1000pF	C403	168-2222-55	2200pF K	L203	010-3104-54	600 ohm/100MHz
C235	046-1042-78	0.1uF K B	C404	168-2222-55	2200pF K			
C236	046-1022-58	50V 1000pF	C405	168-2222-55	2200pF K			
C237	046-1022-58	50V 1000pF	C406	168-2222-55	2200pF K			
C239	046-1042-78	0.1uF K B	C407	168-2222-55	2200pF K			
C241	046-6812-58	680pF K B	C408	168-2222-55	2200pF K			
C242	046-6812-58	680pF K B	C409	168-2222-55	2200pF K			
C243	046-6812-58	680pF K B	C424	042-4441-10	25V 4700uF			
C244	046-6812-58	680pF K B	C426	168-1032-55	0.01uF K			
C245	046-1042-78	0.1uF K B	C427	165-1063-35	16V 10uF			
C247	165-2263-15	6.3V 22uF	C428	043-5600-90	0.10uF			
C248	046-4732-78	0.047uF K B	C429	043-5600-90	0.10uF			

REF NO.	PART NO.	DESCRIPTION	REF NO.	PART NO.	DESCRIPTION	REF NO.	PART NO.	DESCRIPTION
L204	010-3104-54	600 ohm/100MHz	R200	033-1031-15	1/16W 10k ohm J	R433	033-0000-05	1/16W 0 ohm
L205	010-3104-54	600 ohm/100MHz	R201	033-1011-15	1/16W 100 ohm J	R434	032-0221-65	1/16W 68k ohm F
L206	010-3104-54	600 ohm/100MHz	R202	119-2201-15	1/10W 22 ohm	R435	033-0000-05	1/16W 0 ohm
L207	010-3104-54	600 ohm/100MHz	R203	033-1021-15	1/16W 1k ohm J	R436	032-0221-09	1/16W 33k ohm F
L208	119-1001-15	1/10W 10 ohm	R204	033-1011-15	1/16W 100 ohm J	R437	032-0221-53	1/16W 18k ohm F
L209	010-3104-54	600 ohm/100MHz	R205	033-1031-15	1/16W 10k ohm J	R439	116-3321-15	1/4W 3.3k ohm
L210	010-3104-54	600 ohm/100MHz	R206	033-1031-15	1/16W 10k ohm J	R441	116-4721-15	1/4W 4.7k ohm
L211	010-3104-54	600 ohm/100MHz	R207	033-1021-15	1/16W 1k ohm J	R442	033-1031-15	1/16W 10k ohm J
L212	010-3104-54	600 ohm/100MHz	R208	033-1021-15	1/16W 1k ohm J	R535	032-0225-98	1/16W 18k ohm
L213	010-3104-54	600 ohm/100MHz	R209	033-1021-15	1/16W 1k ohm J	R536	032-0225-00	1/16W 150k ohm
L214	010-3104-54	600 ohm/100MHz	R210	033-1021-15	1/16W 1k ohm J	R537	032-0225-67	1/16W 16k ohm 0.5%
L215	010-3104-54	600 ohm/100MHz	R218	032-0140-89	1/10W 47k ohm F	R538	032-0225-98	1/16W 18k ohm
L216	010-3104-54	600 ohm/100MHz	R219	032-0140-89	1/10W 47k ohm F	R539	033-1041-15	1/16W 100k ohm J
L217	010-3104-54	600 ohm/100MHz	R220	033-1011-15	1/16W 100 ohm J	R540	032-0221-09	1/16W 33k ohm F
L218	010-3104-54	600 ohm/100MHz	R221	033-1011-15	1/16W 100 ohm J	R541	032-0221-83	1/16W 3.3k ohm F
L219	010-3104-54	600 ohm/100MHz	R222	032-0140-89	1/10W 47k ohm F	R542	032-0221-83	1/16W 3.3k ohm F
L220	010-3104-54	600 ohm/100MHz	R225	032-0140-89	1/10W 47k ohm F	R543	032-0221-09	1/16W 33k ohm F
L221	010-3104-54	600 ohm/100MHz	R226	032-0210-53	1/10W 15k ohm 1%	R544	033-1041-15	1/16W 100k ohm J
L222	010-3105-62	1k ohm/100MHz	R227	032-0210-53	1/10W 15k ohm 1%	R549	116-4791-15	1/4W 4.7 ohm
L223	010-3105-62	1k ohm/100MHz	R231	033-0000-05	1/16W 0 ohm	R552	116-4791-15	1/4W 4.7 ohm
L224	010-3103-55	120 ohm/100MHz	R234	033-0000-05	1/16W 0 ohm	R553	032-0217-55	1/3W 0.016 ohm
L225	010-3103-55	120 ohm/100MHz	R235	033-0000-05	1/16W 0 ohm	R554	032-0225-60	1/16W 22k ohm +/- 0.5%
L226	010-3103-55	120 ohm/100MHz	R241	033-1011-15	1/16W 100 ohm J	R555	032-0225-81	1/16W 4.7k ohm 0.5%
L227	010-3103-55	120 ohm/100MHz	R243	033-1011-15	1/16W 100 ohm J	R556	032-0225-68	1/16W 5.6k ohm +/- 0.5%
L301	010-3104-54	600 ohm/100MHz	R245	119-2201-15	1/10W 22 ohm	R558	032-0224-50	1/2W 0.008 ohm F
L302	010-3104-54	600 ohm/100MHz	R246	033-1011-15	1/16W 100 ohm J	R560	032-0221-83	1/16W 3.3k ohm F
L402	010-2285-82	390 ohm/100MHz	R247	033-1011-15	1/16W 100 ohm J	R561	032-0221-34	1/16W 51k ohm F
L403	010-8064-00	144uH	R248	033-1011-15	1/16W 100 ohm J	R562	032-0221-11	1/16W 5.6k ohm F
L404	010-2285-82	390 ohm/100MHz	R249	033-1011-15	1/16W 100 ohm J	R564	033-2711-15	1/16W 270 ohm J
L501	010-3531-52	4.7uH	R250	033-1031-15	1/16W 10k ohm J	R565	033-2021-15	1/16W 2k ohm
L502	010-3531-52	4.7uH	R251	032-0210-53	1/10W 15k ohm 1%	R566	033-2021-15	1/16W 2k ohm
L503	010-3414-92	2.2uH	R252	032-0210-53	1/10W 15k ohm 1%	R567	033-2711-15	1/16W 270 ohm J
L504	010-2285-82	390 ohm/100MHz	R253	119-3311-15	1/10W 330 ohm	R572	033-1031-15	1/16W 10k ohm J
L601	010-3104-50	30 ohm/100MHz	R254	033-0000-05	1/16W 0 ohm	R576	119-3321-15	1/10W 3.3k ohm
L602	010-3104-50	30 ohm/100MHz	R255	033-0000-05	1/16W 0 ohm	R577	117-1031-15	1/8W 10k ohm
L603	010-3104-50	30 ohm/100MHz	R300	119-1031-15	1/10W 10k ohm	R578	116-2221-15	1/4W 2.2k ohm
P400	074-1261-00	OUTLET SOCKET	R301	119-1031-15	1/10W 10k ohm	R579	116-2221-15	1/4W 2.2k ohm
P610	076-6021-60	10P	R302	119-1031-15	1/10W 10k ohm	R581	119-4731-15	1/10W 47k ohm
Q200	125-7007-90	Si5441BDC-TI-E3	R303	119-1031-15	1/10W 10k ohm	R582	032-0221-50	1/16W 43k ohm F
Q404	190-2071-00	2SA2071	R304	119-1031-15	1/10W 10k ohm	R583	032-0210-06	1/10W 8.2k ohm F
Q405	192-4081-00	2SC4081	R305	119-1031-15	1/10W 10k ohm	R584	033-0000-05	1/16W 0 ohm
Q406	192-4081-00	2SC4081	R306	119-4741-15	1/10W 470k ohm	R585	032-0221-07	1/16W 56k ohm F
Q407	190-1586-00	2SA1586 O,Y,G	R307	119-4741-15	1/10W 470k ohm	R587	032-0221-11	1/16W 5.6k ohm F
Q507	192-4081-00	2SC4081	R308	119-4741-15	1/10W 470k ohm	R588	032-0221-11	1/16W 5.6k ohm F
Q508	125-2027-91	DTC114EUA	R309	119-4741-15	1/10W 470k ohm	R616	119-0000-05	1/10W 0 ohm JW
Q509	125-2027-91	DTC114EUA	R310	119-1031-15	1/10W 10k ohm	R617	119-0000-05	1/10W 0 ohm JW
Q510	125-8044-90	SH8K15GZETB	R311	119-1031-15	1/10W 10k ohm	R618	119-0000-05	1/10W 0 ohm JW
Q511	125-8044-90	SH8K15GZETB	R312	119-2221-15	1/10W 2.2k ohm	R619	033-0000-05	1/16W 0 ohm
Q513	190-2071-00	2SA2071	R313	119-2221-15	1/10W 2.2k ohm	R620	033-0000-05	1/16W 0 ohm
R101	033-1811-15	1/16W 180 ohm J	R314	119-2221-15	1/10W 2.2k ohm	R621	033-0000-05	1/16W 0 ohm
R102	033-3311-15	1/16W 330 ohm J	R316	032-0140-50	1/10W 10k ohm F	RN200	050-0140-51	1/32W 22 ohm x4J
R103	033-4741-15	1/16W 470k ohm J	R317	119-3331-15	1/10W 33k ohm	T100	010-4100-50	0.215uH
R104	033-1201-15	1/16W 12 ohm	R322	116-8211-15	1/4W 820 ohm	TH501	002-0335-50	SMD1812P050TF /30
R105	033-5601-15	1/16W 56 ohm J	R323	116-1021-15	1/4W 1k ohm	X200	061-3589-80	FA-238 41.6MHz
R108	033-2231-15	1/16W 22k ohm J	R364	119-2221-15	1/10W 2.2k ohm	ZD100	060-8107-50	SURGE PROTECTOR
R109	033-3921-15	1/16W 3.9k ohm J	R400	116-4721-15	1/4W 4.7k ohm	ZD400	001-4912-90	SM5S22A-HE3/2D
R110	033-0000-05	1/16W 0 ohm	R401	116-5621-15	1/4W 5.6k ohm	ZD401	001-4301-28	HZU5.1B1
R111	033-0000-05	1/16W 0 ohm	R418	116-4721-15	1/4W 4.7k ohm	PWB	039-4611-00	PWB(WITHOUT COMPONENTS)
R113	033-4741-15	1/16W 470k ohm J	R420	116-1831-15	1/4W 18k ohm			
R114	033-1051-15	1/16W 1M ohm J	R421	119-1031-15	1/10W 10k ohm			
R115	033-1051-15	1/16W 1M ohm J	R422	116-1121-15	1/4W 1.1k ohm			
R148	033-0000-05	1/16W 0 ohm	R423	119-2721-15	1/10W 2.7k ohm			
R149	033-0000-05	1/16W 0 ohm	R425	119-5621-15	1/10W 5.6k ohm			
R151	033-1811-15	1/16W 180 ohm J	R426	119-1021-15	1/10W 1k ohm			
R152	033-1811-15	1/16W 180 ohm J	R430	032-0221-09	1/16W 33k ohm F			
R175	033-0000-05	1/16W 0 ohm	R431	032-0221-09	1/16W 33k ohm F			
R176	033-0000-05	1/16W 0 ohm	R432	032-0221-09	1/16W 33k ohm F			

MAIN PWB(B1) section : for PF-3732B-A

REF NO.	PART NO.	DESCRIPTION	REF NO.	PART NO.	DESCRIPTION	REF NO.	PART NO.	DESCRIPTION
ANT100	092-2260-00	ANT-RECEPT(3P)	C251	042-4033-90	6.3V 220uF	C502	165-1073-35	16V 100uF
ANT900	092-2259-00	ANT-RECEPT(1P)	C252	045-1007-50	10 +/-0.5pF CH	C505	168-1052-78	16V 1uF K
C100	166-1201-50	12pF CH	C253	045-1007-50	10 +/-0.5pF CH	C506	168-1052-78	16V 1uF K
C102	046-1022-58	50V 1000pF	C254	168-1052-78	16V 1uF K	C545	046-6822-58	6800pF K B
C103	046-1022-58	50V 1000pF	C255	046-1042-78	0.1uF K B	C546	046-1042-78	0.1uF K B
C104	045-3901-50	39pFJ CH	C256	043-0552-90	6.3V 47uF M	C547	046-6822-58	6800pF K B
C105	045-1211-50	120pFJ CH	C257	046-1042-78	0.1uF K B	C548	046-1042-78	0.1uF K B
C106	045-1501-50	15pFJ CH	C258	046-1042-78	0.1uF K B	C549	043-0562-90	10V 0.22uF
C107	045-2211-50	220pFJ CH	C259	046-1042-78	0.1uF K B	C550	043-0602-90	10uF
C108	046-3922-58	3900pF K B	C260	046-1042-78	0.1uF K B	C551	043-0562-90	10V 0.22uF
C109	046-1022-58	50V 1000pF	C261	046-4712-58	470pF K B	C552	168-1052-78	16V 1uF K
C110	046-1032-78	0.01uF K B	C262	178-2255-79	2.2uF	C553	046-1042-78	0.1uF K B
C111	046-1032-78	0.01uF K B	C263	178-2255-79	2.2uF	C555	046-2222-58	2200pF K B
C112	045-5096-50	5pF +/-0.25pF CH	C264	166-2201-50	22pF CH	C558	046-2222-58	2200pF K B
C113	046-3322-58	3300pF K B	C265	166-2201-50	22pF CH	C560	046-1042-78	0.1uF K B
C114	046-2232-78	0.022uF K B	C269	045-4701-50	47pF CH	C561	043-7402-90	16V 22uF
C115	046-1022-58	50V 1000pF	C270	045-4701-50	47pF CH	C562	043-7402-90	16V 22uF
C116	046-2232-78	0.022uF K B	C271	045-4701-50	47pF CH	C567	043-7402-90	16V 22uF
C117	046-2232-78	0.022uF K B	C272	045-4701-50	47pF CH	C568	043-7402-90	16V 22uF
C118	046-2232-78	0.022uF K B	C275	046-1042-78	0.1uF K B	C573	043-7402-90	16V 22uF
C119	046-2232-78	0.022uF K B	C276	046-1042-78	0.1uF K B	C574	042-4015-91	25V 470uF
C120	043-0562-90	10V 0.22uF	C279	178-2255-79	2.2uF	C575	043-7503-90	4.7uF
C121	046-2232-78	0.022uF K B	C280	178-2255-79	2.2uF	C576	043-7503-90	4.7uF
C122	043-0563-90	16V 47uF	C281	166-2201-50	22pF CH	C577	043-7503-90	4.7uF
C124	045-2201-50	22pFJ CH	C282	166-2201-50	22pF CH	C579	043-0554-90	25V 10uF
C128	045-2201-50	22pFJ CH	C283	043-6401-90	16V 10uF	C901	046-1022-58	50V 1000pF
C131	045-4796-50	4.7pFJ CH	C300	166-2711-50	270pF CH	C902	046-1022-58	50V 1000pF
C132	046-1042-78	0.1uF K B	C301	166-2711-50	270pF CH	C903	046-1022-58	50V 1000pF
C164	033-0000-05	1/16W 0 ohm	C302	178-2732-78	0.027uF	C905	043-5703-90	50V 0.001uF
C165	033-0000-05	1/16W 0 ohm	C303	178-2732-78	0.027uF	C906	043-7701-90	2.2uF
C177	046-1022-58	50V 1000pF	C304	178-2732-78	0.027uF	C907	042-4025-90	16V 47uF
C203	168-4752-98	4.7uF K	C305	178-2732-78	0.027uF	C909	046-1042-78	0.1uF K B
C204	168-4752-98	4.7uF K	C306	166-5611-50	560pF CH	C910	046-1042-78	0.1uF K B
C205	046-1042-78	0.1uF K B	C307	166-5611-50	560pF CH	C911	046-1022-58	50V 1000pF
C206	046-1042-78	0.1uF K B	C308	166-2201-50	22pF CH	C912	046-1022-58	50V 1000pF
C207	046-1042-78	0.1uF K B	C309	166-2201-50	22pF CH	C916	045-1011-50	100pFJ CH
C208	046-1042-78	0.1uF K B	C310	166-2201-50	22pF CH	C917	045-1801-50	18pFJ CH
C209	046-1042-78	0.1uF K B	C311	166-2201-50	22pF CH	C918	045-1801-50	18pFJ CH
C210	045-8097-50	8pF +/-0.5pF CH	C312	166-5611-50	560pF CH	C923	043-4306-90	1uF
C211	045-1007-50	10 +/-0.5pF CH	C313	166-5611-50	560pF CH	C924	168-1052-78	16V 1uF K
C212	046-1042-78	0.1uF K B	C314	166-2711-50	270pF CH	C927	046-1022-58	50V 1000pF
C214	168-4752-98	4.7uF K	C315	166-2711-50	270pF CH	C928	046-1022-58	50V 1000pF
C216	046-1042-78	0.1uF K B	C316	168-2242-58	0.22uF K	D100	001-9013-90	BA891
C217	168-4752-98	4.7uF K	C317	168-2242-58	0.22uF K	D101	001-9013-90	BA891
C218	046-1042-78	0.1uF K B	C318	168-2242-58	0.22uF K	D400	001-2412-90	RR264M-400
C219	046-1042-78	0.1uF K B	C321	042-4007-90	50V 10uF M	D401	001-2403-90	M1F60
C220	046-1042-78	0.1uF K B	C322	168-1052-78	16V 1uF K	D402	001-2403-90	M1F60
C221	043-0559-90	6.3V 22uF	C323	043-0574-90	25V 1.0uF	D503	001-2403-90	M1F60
C222	168-1052-78	16V 1uF K	C328	042-0630-50	16V 100uF	D504	001-2403-90	M1F60
C223	046-1042-78	0.1uF K B	C329	168-1042-78	16V 0.1uF K	D505	001-2633-90	1SS388-TPL3,F
C224	046-1042-78	0.1uF K B	C330	ADZ0292	6.3V 220uF	D506	001-2633-90	1SS388-TPL3,F
C225	046-1042-78	0.1uF K B	C331	168-2242-58	0.22uF K	FE900	941-0260-01	TUNER PACK
C226	046-1042-78	0.1uF K B	C332	168-1052-78	16V 1uF K	IC101	-----	TEF7000(Tuner) (Thermal pad) (402590-051)
C227	046-1042-78	0.1uF K B	C334	168-2242-58	0.22uF K	IC200	-----	SAF7741HV/N127 (DSP) (Thermal pad) (674710-051)
C228	046-1042-78	0.1uF K B	C335	046-1042-78	0.1uF K B	IC301	051-2077-00	TB2959HQ
C229	046-1042-78	0.1uF K B	C336	046-1042-78	0.1uF K B	IC302	051-3034-90	NJM4558V
C230	046-3322-58	3300pF K B	C400	165-1053-65	50V 1uF	IC303	051-3034-90	NJM4558V
C231	046-1022-58	50V 1000pF	C402	168-2222-55	2200pF K	IC401	051-5418-08	S-80827CNMC- B8M-T2
C232	042-4015-90	16V 470uF	C403	168-2222-55	2200pF K	IC402	051-5418-08	S-80827CNMC- B8M-T2
C233	046-3322-58	3300pF K B	C404	168-2222-55	2200pF K	IC500	-----	BD00COAWFP (Voltage regulator) (Thermal pad) (358290-051)
C234	046-1022-58	50V 1000pF	C405	168-2222-55	2200pF K	IC502	051-3639-90	AP3405DS
C235	046-1042-78	0.1uF K B	C406	168-2222-55	2200pF K	IC503	051-3767-90	BD00GC0EEFJ- ME2
C236	046-1022-58	50V 1000pF	C407	168-2222-55	2200pF K			
C237	046-1022-58	50V 1000pF	C408	168-2222-55	2200pF K			
C239	046-1042-78	0.1uF K B	C409	168-2222-55	2200pF K			
C241	046-6812-58	680pF K B	C424	042-4441-10	25V 4700uF			
C242	046-6812-58	680pF K B	C426	168-1032-55	0.01uF K			
C243	046-6812-58	680pF K B	C427	165-1063-35	16V 10uF			
C244	046-6812-58	680pF K B	C428	043-5600-90	0.10uF			
C245	046-1042-78	0.1uF K B	C429	043-5600-90	0.10uF			
C247	165-2263-15	6.3V 22uF	C430	043-5600-90	0.10uF			
C248	046-4732-78	0.047uF K B	C431	168-1042-38	50V 0.1uF K			
C250	046-1042-78	0.1uF K B	C501	046-1042-78	0.1uF K B			

REF NO.	PART NO.	DESCRIPTION	REF NO.	PART NO.	DESCRIPTION	REF NO.	PART NO.	DESCRIPTION
IC900	051-3374-90	NJM2386ADL3-05-TE1	R110	033-0000-05	1/16W 0 ohm	R430	032-0221-09	1/16W 33k ohm F
IC901	051-3764-90	BD00HA5EEFJ-ME2	R111	033-0000-05	1/16W 0 ohm	R431	032-0221-09	1/16W 33k ohm F
J680	074-2248-80	80P	R113	033-4741-15	1/16W 470k ohm J	R432	032-0221-09	1/16W 33k ohm F
L100	010-2198-62	0.27uH	R114	033-1051-15	1/16W 1M ohm J	R433	033-0000-05	1/16W 0 ohm
L101	010-3406-56	3.3uH J	R115	033-1051-15	1/16W 1M ohm J	R434	032-0221-65	1/16W 68k ohm F
L102	010-3406-46	0.47uH J	R148	033-0000-05	1/16W 0 ohm	R435	033-0000-05	1/16W 0 ohm
L103	010-3439-51	1.8uH	R149	033-0000-05	1/16W 0 ohm	R436	032-0221-09	1/16W 33k ohm F
L104	010-3406-42	0.22uH	R151	033-1811-15	1/16W 180 ohm J	R437	032-0221-53	1/16W 18k ohm F
L105	010-3104-54	600 ohm/100MHz	R152	033-1811-15	1/16W 180 ohm J	R439	116-3321-15	1/4W 3.3k ohm
L106	010-2290-52	330uH	R175	033-0000-05	1/16W 0 ohm	R441	116-4721-15	1/4W 4.7k ohm
L107	010-2290-52	330uH	R176	033-0000-05	1/16W 0 ohm	R442	033-1031-15	1/16W 10k ohm J
L200	010-3105-62	1k ohm/100MHz	R200	033-1031-15	1/16W 10k ohm J	R535	032-0225-98	1/16W 18k ohm
L201	010-3104-54	600 ohm/100MHz	R201	033-1011-15	1/16W 100 ohm J	R536	032-0225-00	1/16W 150k ohm
L202	010-3104-54	600 ohm/100MHz	R202	119-2201-15	1/10W 22 ohm	R537	032-0225-67	1/16W 16k ohm 0.5%
L203	010-3104-54	600 ohm/100MHz	R203	033-1021-15	1/16W 1k ohm J	R538	032-0225-98	1/16W 18k ohm
L204	010-3104-54	600 ohm/100MHz	R204	033-1011-15	1/16W 100 ohm J	R539	033-1041-15	1/16W 100k ohm J
L205	010-3104-54	600 ohm/100MHz	R205	033-1031-15	1/16W 10k ohm J	R540	032-0221-09	1/16W 33k ohm F
L206	010-3104-54	600 ohm/100MHz	R206	033-1031-15	1/16W 10k ohm J	R541	032-0221-83	1/16W 3.3k ohm F
L207	010-3104-54	600 ohm/100MHz	R207	033-1021-15	1/16W 1k ohm J	R542	032-0221-83	1/16W 3.3k ohm F
L208	119-1001-15	1/10W 10 ohm	R208	033-1021-15	1/16W 1k ohm J	R543	032-0221-09	1/16W 33k ohm F
L209	010-3104-54	600 ohm/100MHz	R209	033-1021-15	1/16W 1k ohm J	R544	033-1041-15	1/16W 100k ohm J
L210	010-3104-54	600 ohm/100MHz	R210	033-1021-15	1/16W 1k ohm J	R549	116-4791-15	1/4W 4.7 ohm
L211	010-3104-54	600 ohm/100MHz	R218	032-0140-89	1/10W 47k ohm F	R552	116-4791-15	1/4W 4.7 ohm
L212	010-3104-54	600 ohm/100MHz	R219	032-0140-89	1/10W 47k ohm F	R553	032-0217-55	1/3W 0.016 ohm
L213	010-3104-54	600 ohm/100MHz	R220	033-1011-15	1/16W 100 ohm J	R554	032-0225-60	1/16W 22k ohm +/- 0.5%
L214	010-3104-54	600 ohm/100MHz	R221	033-1011-15	1/16W 100 ohm J	R555	032-0225-81	1/16W 4.7k ohm 0.5%
L215	010-3104-54	600 ohm/100MHz	R222	032-0140-89	1/10W 47k ohm F	R556	032-0225-68	1/16W 5.6k ohm +/- 0.5%
L216	010-3104-54	600 ohm/100MHz	R224	032-0140-89	1/10W 47k ohm F	R558	032-0224-50	1/2W 0.008 ohm F
L217	010-3104-54	600 ohm/100MHz	R225	032-0140-89	1/10W 47k ohm F	R560	032-0221-83	1/16W 3.3k ohm F
L218	010-3104-54	600 ohm/100MHz	R226	032-0210-53	1/10W 15k ohm 1%	R561	032-0221-34	1/16W 51k ohm F
L219	010-3104-54	600 ohm/100MHz	R227	032-0210-53	1/10W 15k ohm 1%	R562	032-0221-11	1/16W 5.6k ohm F
L220	010-3104-54	600 ohm/100MHz	R231	033-0000-05	1/16W 0 ohm	R564	033-2711-15	1/16W 270 ohm J
L221	010-3104-54	600 ohm/100MHz	R234	033-0000-05	1/16W 0 ohm	R565	033-2021-15	1/16W 2k ohm
L222	010-3105-62	1k ohm/100MHz	R235	033-0000-05	1/16W 0 ohm	R566	033-2021-15	1/16W 2k ohm
L223	010-3105-62	1k ohm/100MHz	R241	033-1011-15	1/16W 100 ohm J	R567	033-2711-15	1/16W 270 ohm J
L224	010-3103-55	120 ohm/100MHz	R243	033-1011-15	1/16W 100 ohm J	R572	033-1031-15	1/16W 10k ohm J
L225	010-3103-55	120 ohm/100MHz	R245	119-2201-15	1/10W 22 ohm	R576	119-3321-15	1/10W 3.3k ohm
L226	010-3103-55	120 ohm/100MHz	R246	033-1011-15	1/16W 100 ohm J	R577	117-1031-15	1/8W 10k ohm
L227	010-3103-55	120 ohm/100MHz	R247	033-1011-15	1/16W 100 ohm J	R578	116-2221-15	1/4W 2.2k ohm
L301	010-3104-54	600 ohm/100MHz	R248	033-1011-15	1/16W 100 ohm J	R579	116-2221-15	1/4W 2.2k ohm
L302	010-3104-54	600 ohm/100MHz	R249	033-1011-15	1/16W 100 ohm J	R581	119-4731-15	1/10W 47k ohm
L402	010-2285-82	390 ohm/100MHz	R250	033-1031-15	1/16W 10k ohm J	R582	032-0221-50	1/16W 43k ohm F
L403	010-8064-00	144uH	R251	032-0210-53	1/10W 15k ohm 1%	R583	032-0210-06	1/10W 8.2k ohm F
L404	010-2285-82	390 ohm/100MHz	R252	032-0210-53	1/10W 15k ohm 1%	R584	033-0000-05	1/16W 0 ohm
L501	010-3531-52	4.7uH	R253	119-3311-15	1/10W 330 ohm	R585	032-0221-07	1/16W 56k ohm F
L502	010-3531-52	4.7uH	R254	033-0000-05	1/16W 0 ohm	R587	032-0221-11	1/16W 5.6k ohm F
L503	010-3414-92	2.2uH	R255	033-0000-05	1/16W 0 ohm	R588	032-0221-11	1/16W 5.6k ohm F
L504	010-2285-82	390 ohm/100MHz	R300	119-1031-15	1/10W 10k ohm	R616	119-0000-05	1/10W 0 ohm JW
L601	010-3104-50	30 ohm/100MHz	R301	119-1031-15	1/10W 10k ohm	R617	119-0000-05	1/10W 0 ohm JW
L602	010-3104-50	30 ohm/100MHz	R303	119-1031-15	1/10W 10k ohm	R618	119-0000-05	1/10W 0 ohm JW
L603	010-3104-50	30 ohm/100MHz	R304	119-1031-15	1/10W 10k ohm	R619	033-0000-05	1/16W 0 ohm
L902	010-3104-53	220 ohm/100MHz	R305	119-1031-15	1/10W 10k ohm	R620	033-0000-05	1/16W 0 ohm
L904	010-3104-53	220 ohm/100MHz	R306	119-4741-15	1/10W 470k ohm	R621	033-0000-05	1/16W 0 ohm
P400	074-1261-00	OUTLET SOCKET	R307	119-4741-15	1/10W 470k ohm	R905	032-0162-50	1/10W 0.51 ohm
P610	076-6021-60	10P	R308	119-4741-15	1/10W 470k ohm	R910	033-3311-15	1/16W 330 ohm J
Q200	125-7007-90	Si5441BDC-TI-E3	R309	119-4741-15	1/10W 470k ohm	R913	033-1021-15	1/16W 1k ohm J
Q404	190-2071-00	2SA2071	R310	119-1031-15	1/10W 10k ohm	R915	033-1021-15	1/16W 1k ohm J
Q405	192-4081-00	2SC4081	R311	119-1031-15	1/10W 10k ohm	R918	033-1021-15	1/16W 1k ohm J
Q406	192-4081-00	2SC4081	R312	119-2221-15	1/10W 2.2k ohm	R921	033-1021-15	1/16W 1k ohm J
Q407	190-1586-00	2SA1586 O,Y,G	R313	119-2221-15	1/10W 2.2k ohm	R923	033-0000-05	1/16W 0 ohm
Q507	192-4081-00	2SC4081	R314	119-2221-15	1/10W 2.2k ohm	R924	033-3301-15	1/16W 33 ohm J
Q508	125-2027-91	DTC114EUA	R316	032-0140-50	1/10W 10k ohm F	R925	033-3301-15	1/16W 33 ohm J
Q509	125-2027-91	DTC114EUA	R317	119-3331-15	1/10W 33k ohm	R926	033-1011-15	1/16W 100 ohm J
Q510	125-8044-90	SH8K15GZETB	R322	116-8211-15	1/4W 820 ohm	R930	033-0000-05	1/16W 0 ohm
Q511	125-8044-90	SH8K15GZETB	R323	116-1021-15	1/4W 1k ohm	R931	032-0221-50	1/16W 43k ohm F
Q513	190-2071-00	2SA2071	R364	119-2221-15	1/10W 2.2k ohm	R932	032-0210-06	1/10W 8.2k ohm F
R101	033-1811-15	1/16W 180 ohm J	R400	116-4721-15	1/4W 4.7k ohm	R933	033-0000-05	1/16W 0 ohm
R102	033-3311-15	1/16W 330 ohm J	R401	116-5621-15	1/4W 5.6k ohm	R934	119-0000-05	1/10W 0 ohm JW
R103	033-4741-15	1/16W 470k ohm J	R418	116-4721-15	1/4W 4.7k ohm	R935	119-0000-05	1/10W 0 ohm JW
R104	033-1201-15	1/16W 12 ohm	R420	116-1831-15	1/4W 18k ohm	RN200	050-0140-51	1/32W 22 ohm x4J
R105	033-5601-15	1/16W 56 ohm J	R421	119-1031-15	1/10W 10k ohm	T100	010-4100-50	0.215uH
R108	033-2231-15	1/16W 22k ohm J	R422	116-1121-15	1/4W 1.1k ohm			
R109	033-3921-15	1/16W 3.9k ohm J	R423	119-2721-15	1/10W 2.7k ohm			
			R425	119-5621-15	1/10W 5.6k ohm			
			R426	119-1021-15	1/10W 1k ohm			

REF NO.	PART NO.	DESCRIPTION	REF NO.	PART NO.	DESCRIPTION	REF NO.	PART NO.	DESCRIPTION
TH501	002-0335-50	SMD1812P050TF /30	ZD100	060-8107-50	SURGE PROTECTOR	ZD401	001-4301-28	HZU5.1B1
X200	061-3589-80	FA-238 41.6MHz	ZD400	001-4912-90	SM5S22A-HE3/2D	PWB	039-4611-00	PWB(WITHOUT COMPONENTS)

SW PWB(B2) section

REF NO.	PART NO.	DESCRIPTION	REF NO.	PART NO.	DESCRIPTION	REF NO.	PART NO.	DESCRIPTION
D1300	001-7141-90	VFHR1111C- 4BY2A-TR RED	D1318	001-7141-90	VFHR1111C- 4BY2A-TR RED	R109	032-0210-75	1/10W 820 ohm F
D1301	001-7141-90	VFHR1111C- 4BY2A-TR RED	D1319	001-7141-90	VFHR1111C- 4BY2A-TR RED	R110	119-0000-05	1/10W 0 ohm JW
D1302	001-7141-90	VFHR1111C- 4BY2A-TR RED	D1320	001-7141-90	VFHR1111C- 4BY2A-TR RED	R111	119-0000-05	1/10W 0 ohm JW
D1303	001-7141-90	VFHR1111C- 4BY2A-TR RED	D1321	001-7141-90	VFHR1111C- 4BY2A-TR RED	R112	119-0000-05	1/10W 0 ohm JW
D1304	001-7141-90	VFHR1111C- 4BY2A-TR RED	D1322	001-7141-90	VFHR1111C- 4BY2A-TR RED	R113	119-0000-05	1/10W 0 ohm JW
D1305	001-7141-90	VFHR1111C- 4BY2A-TR RED	J101	074-2248-30	30P	R114	032-0210-75	1/10W 820 ohm F
D1306	001-7141-90	VFHR1111C- 4BY2A-TR RED	J102	074-2240-60	10P	R115	032-0210-51	1/10W 750 ohm F
D1307	001-7141-90	VFHR1111C- 4BY2A-TR RED	R100	032-0210-55	1/10W 2.2k ohm F	R116	032-0210-75	1/10W 820 ohm F
D1316	001-7109-92	SML-311UTT86 RED	R101	032-0210-55	1/10W 2.2k ohm F	R117	032-0210-51	1/10W 750 ohm F
D1317	001-7109-92	SML-311UTT86 RED	R102	032-0210-55	1/10W 2.2k ohm F	R118	032-0221-55	1/16W 1.5k ohm F
			R103	032-0210-55	1/10W 2.2k ohm F	R119	032-0210-51	1/10W 750 ohm F
			R104	032-0221-55	1/16W 1.5k ohm F	SW100	016-0018-37	VR W/SHAFT
			R105	032-0210-75	1/10W 820 ohm F	SW101	016-0018-37	VR W/SHAFT
			R106	032-0210-75	1/10W 820 ohm F	SW102	013-6201-53	SKPMAPE010
			R107	032-0210-75	1/10W 820 ohm F	SW103	013-6201-53	SKPMAPE010
			R108	032-0210-75	1/10W 820 ohm F	SW104	013-6201-53	SKPMAPE010
						SW105	013-6201-53	SKPMAPE010
						SW106	013-6202-52	SKPMBJE010
						PWB	039-4282-00	PWB(WITHOUT COMPONENTS)

△

NAVI PWB(B3) section

REF NO.	PART NO.	DESCRIPTION	REF NO.	PART NO.	DESCRIPTION	REF NO.	PART NO.	DESCRIPTION
C103	046-1042-78	0.1uF K B	C150	046-1042-78	0.1uF K B	C331	046-1042-78	0.1uF K B
C104	043-0577-90	6.3V 1.0uF	C151	046-1042-78	0.1uF K B	C332	046-1042-78	0.1uF K B
C106	046-1022-58	50V 1000pF	C152	046-1042-78	0.1uF K B	C333	046-1042-78	0.1uF K B
C109	046-1042-78	0.1uF K B	C153	046-1042-78	0.1uF K B	C334	046-1042-78	0.1uF K B
C110	046-1042-78	0.1uF K B	C154	046-1042-78	0.1uF K B	C335	046-1042-78	0.1uF K B
C111	046-1042-78	0.1uF K B	C201	046-1022-58	50V 1000pF	C336	046-1042-78	0.1uF K B
C112	046-1042-78	0.1uF K B	C202	046-1042-78	0.1uF K B	C337	046-1042-78	0.1uF K B
C113	046-1042-78	0.1uF K B	C203	046-1042-78	0.1uF K B	C338	043-0577-90	6.3V 1.0uF
C114	046-1022-58	50V 1000pF	C204	045-1201-50	12pFJ CH	C339	043-0577-90	6.3V 1.0uF
C115	046-1042-78	0.1uF K B	C205	045-1201-50	12pFJ CH	C340	043-0577-90	6.3V 1.0uF
C116	046-1022-58	50V 1000pF	C206	045-6097-50	6pF +/-0.5pF CH	C341	046-1042-78	0.1uF K B
C117	046-1042-78	0.1uF K B	C207	045-6097-50	6pF +/-0.5pF CH	C342	046-1042-78	0.1uF K B
C118	046-1042-78	0.1uF K B	C219	046-1042-78	0.1uF K B	C343	046-1042-78	0.1uF K B
C119	046-1042-78	0.1uF K B	C220	046-1022-58	50V 1000pF	C344	046-1042-78	0.1uF K B
C120	046-1042-78	0.1uF K B	C221	046-1042-78	0.1uF K B	C345	046-1042-78	0.1uF K B
C121	046-1042-78	0.1uF K B	C222	046-1022-58	50V 1000pF	C346	046-1042-78	0.1uF K B
C122	046-1042-78	0.1uF K B	C223	046-1042-78	0.1uF K B	C347	046-1042-78	0.1uF K B
C123	046-1042-78	0.1uF K B	C224	046-1022-58	50V 1000pF	C348	046-1042-78	0.1uF K B
C124	046-1022-58	50V 1000pF	C226	045-1501-50	15pFJ CH	C349	046-1042-78	0.1uF K B
C125	046-1022-58	50V 1000pF	C228	046-1042-78	0.1uF K B	C350	046-1042-78	0.1uF K B
C126	046-1042-78	0.1uF K B	C233	043-0587-90	50V 18pF	C351	046-1042-78	0.1uF K B
C127	046-1042-78	0.1uF K B	C301	046-1032-78	0.01uF K B	C352	046-1042-78	0.1uF K B
C128	046-1042-78	0.1uF K B	C302	043-6200-90	6.3V 10uF	C353	046-1042-78	0.1uF K B
C129	046-1042-78	0.1uF K B	C303	043-6200-90	6.3V 10uF	C354	046-1042-78	0.1uF K B
C130	046-1042-78	0.1uF K B	C304	043-0577-90	6.3V 1.0uF	C355	046-1042-78	0.1uF K B
C131	046-1042-78	0.1uF K B	C305	043-0577-90	6.3V 1.0uF	C356	046-1042-78	0.1uF K B
C132	046-1042-78	0.1uF K B	C306	046-1042-78	0.1uF K B	C357	046-1042-78	0.1uF K B
C133	046-1042-78	0.1uF K B	C308	046-1042-78	0.1uF K B	C358	046-1042-78	0.1uF K B
C134	046-1042-78	0.1uF K B	C309	046-1042-78	0.1uF K B	C359	046-1042-78	0.1uF K B
C135	046-1042-78	0.1uF K B	C311	046-1042-78	0.1uF K B	C360	046-1042-78	0.1uF K B
C136	046-1042-78	0.1uF K B	C312	046-1042-78	0.1uF K B	C361	046-1042-78	0.1uF K B
C137	046-1042-78	0.1uF K B	C313	046-1042-78	0.1uF K B	C362	046-1042-78	0.1uF K B
C138	046-1022-58	50V 1000pF	C314	046-1042-78	0.1uF K B	C363	046-1042-78	0.1uF K B
C139	046-1022-58	50V 1000pF	C315	046-1042-78	0.1uF K B	C364	046-1042-78	0.1uF K B
C140	046-1042-78	0.1uF K B	C317	046-1042-78	0.1uF K B	C365	046-1042-78	0.1uF K B
C141	046-1042-78	0.1uF K B	C318	046-1042-78	0.1uF K B	C366	046-1042-78	0.1uF K B
C142	046-1042-78	0.1uF K B	C320	046-1042-78	0.1uF K B	C367	046-1042-78	0.1uF K B
C143	046-1042-78	0.1uF K B	C323	046-1042-78	0.1uF K B	C368	046-1042-78	0.1uF K B
C144	046-1042-78	0.1uF K B	C324	046-1042-78	0.1uF K B	C369	046-1042-78	0.1uF K B
C145	046-1042-78	0.1uF K B	C326	046-1042-78	0.1uF K B	C370	046-1042-78	0.1uF K B
C146	046-1042-78	0.1uF K B	C327	046-1042-78	0.1uF K B	C371	046-1042-78	0.1uF K B
C147	046-1022-58	50V 1000pF	C328	046-1042-78	0.1uF K B	C372	178-1062-88	10uF
C148	046-1042-78	0.1uF K B	C329	046-1042-78	0.1uF K B	C373	046-1042-78	0.1uF K B
C149	046-1022-58	50V 1000pF	C330	046-1042-78	0.1uF K B	C374	043-7201-90	6.3V 100uF

REF NO.	PART NO.	DESCRIPTION	REF NO.	PART NO.	DESCRIPTION	REF NO.	PART NO.	DESCRIPTION
C375	046-1042-78	0.1uF K B	C902	046-1042-78	0.1uF K B	C1323	045-2201-50	22pFJ CH
C376	046-1032-78	0.01uF K B	C903	168-1042-38	50V 0.1uF K	C1325	168-1042-38	50V 0.1uF K
C377	046-1022-58	50V 1000pF	C912	168-1042-38	50V 0.1uF K	C1327	043-6400-90	16V 4.7uF K
C378	046-1022-58	50V 1000pF	C1002	168-1032-55	0.01uF K	C1328	168-1052-78	16V 1uF K
C379	046-1042-78	0.1uF K B	C1004	178-1062-88	10uF	C1329	168-1052-78	16V 1uF K
C380	046-1042-78	0.1uF K B	C1008	046-1032-78	0.01uF K B	C1330	168-1042-38	50V 0.1uF K
C381	046-1042-78	0.1uF K B	C1015	046-1042-78	0.1uF K B	C1404	043-7700-90	50V 4.7uF
C382	046-1042-78	0.1uF K B	C1016	046-1042-78	0.1uF K B	C1405	ADZ0265	35V 47uF
C383	046-1042-78	0.1uF K B	C1017	043-6404-90	16V 10uF	C1406	043-7700-90	50V 4.7uF
C384	046-1042-78	0.1uF K B	C1018	043-7200-90	6.3V 47uF	C1429	043-7700-90	50V 4.7uF
C385	046-1032-78	0.01uF K B	C1020	046-1042-78	0.1uF K B	C1430	168-1042-38	50V 0.1uF K
C386	046-1042-78	0.1uF K B	C1021	046-1042-78	0.1uF K B	C1431	168-1832-55	0.018uF K
C387	043-0577-90	6.3V 1.0uF	C1022	046-1042-78	0.1uF K B	C1432	043-0605-90	10V 2.2uF
C388	046-1032-78	0.01uF K B	C1023	046-1042-78	0.1uF K B	C1434	168-1042-38	50V 0.1uF K
C389	046-1032-78	0.01uF K B	C1118	166-6097-50	6pF +/-0.5pF CH	C1435	046-1022-58	50V 1000pF
C390	046-1032-78	0.01uF K B	C1121	166-6097-50	6pF +/-0.5pF CH	C1436	045-1011-50	100pFJ CH
C413	046-1042-78	0.1uF K B	C1123	046-3322-58	3300pF K B	C1437	045-1011-50	100pFJ CH
C501	046-1032-78	0.01uF K B	C1124	046-3322-58	3300pF K B	C1438	168-1032-55	0.01uF K
C502	178-1062-88	10uF	C1125	046-3322-58	3300pF K B	C1439	046-1022-58	50V 1000pF
C503	046-1032-78	0.01uF K B	C1126	046-1042-78	0.1uF K B	C1440	043-7700-90	50V 4.7uF
C505	046-3332-78	0.033uF K B	C1135	045-1011-50	100pFJ CH	C1441	ADZ0265	35V 47uF
C506	046-1032-78	0.01uF K B	C1136	045-1007-50	10 +/-0.5pF CH	C1442	168-1042-38	50V 0.1uF K
C507	046-1042-78	0.1uF K B	C1137	045-1007-50	10 +/-0.5pF CH	C1501	ADZ0265	35V 47uF
C508	046-1042-78	0.1uF K B	C1140	043-6404-90	16V 10uF	C1502	168-1042-38	50V 0.1uF K
C509	043-6200-90	6.3V 10uF	C1141	046-1022-58	50V 1000pF	C1506	045-1011-50	100pFJ CH
C510	046-1032-78	0.01uF K B	C1143	168-1042-38	50V 0.1uF K	C1507	043-0570-90	16V 2.2uF K
C511	046-1042-78	0.1uF K B	C1144	168-3342-58	0.33uF K	C1508	043-0574-90	25V 1.0uF
C514	043-6200-90	6.3V 10uF	C1145	168-1042-38	50V 0.1uF K	C1511	046-2232-78	0.022uF K B
C516	045-1007-50	10 +/-0.5pF CH	C1146	168-1042-38	50V 0.1uF K	C1512	046-6832-78	0.068uF K B
C517	045-1007-50	10 +/-0.5pF CH	C1147	046-1022-58	50V 1000pF	C1513	046-4732-78	0.047uF K B
C518	046-1032-78	0.01uF K B	C1148	046-1022-58	50V 1000pF	C1514	043-0574-90	25V 1.0uF
C520	045-5096-50	5pF +/-0.25pF CH	C1149	168-1042-38	50V 0.1uF K	C1515	043-7702-90	1.0uF
C620	046-1042-78	0.1uF K B	C1150	168-1042-38	50V 0.1uF K	C1516	043-0566-90	50V 2.2uF K
C621	046-1042-78	0.1uF K B	C1153	046-1042-78	0.1uF K B	C1517	168-1042-38	50V 0.1uF K
C622	043-7402-90	16V 22uF	C1161	168-1042-38	50V 0.1uF K	C1518	168-6832-78	0.068uF K
C623	046-1042-78	0.1uF K B	C1165	043-6404-90	16V 10uF	C1519	043-7702-90	1.0uF
C627	043-6400-90	16V 4.7uF K	C1166	046-3322-58	3300pF K B	C1521	043-6404-90	16V 10uF
C628	043-6200-90	6.3V 10uF	C1167	043-7402-90	16V 22uF	C1523	166-3311-50	330pF CH
C629	046-1042-78	0.1uF K B	C1201	043-5600-90	0.10uF	C1524	043-6404-90	16V 10uF
C630	046-1042-78	0.1uF K B	C1202	043-7402-90	16V 22uF	C1525	043-6404-90	16V 10uF
C632	168-1052-78	16V 1uF K	C1203	043-0559-90	6.3V 22uF	C1526	168-6832-78	0.068uF K
C633	168-1052-78	16V 1uF K	C1204	043-7402-90	16V 22uF	C1527	168-6832-78	0.068uF K
C701	045-8097-50	8pF +/-0.5pF CH	C1205	046-1042-78	0.1uF K B	C1528	043-6404-90	16V 10uF
C702	045-8097-50	8pF +/-0.5pF CH	C1206	046-1042-78	0.1uF K B	C1538	043-0566-90	50V 2.2uF K
C703	046-1032-78	0.01uF K B	C1209	046-1042-78	0.1uF K B	C1601	046-1022-58	50V 1000pF
C705	042-4033-90	6.3V 220uF	C1210	178-1062-88	10uF	C1602	046-1022-58	50V 1000pF
C706	046-1042-78	0.1uF K B	C1211	043-7402-90	16V 22uF	C1603	046-1022-58	50V 1000pF
C707	046-1042-78	0.1uF K B	C1213	168-1052-78	16V 1uF K	C1604	046-1022-58	50V 1000pF
C708	046-1042-78	0.1uF K B	C1215	043-0566-90	50V 2.2uF K	C1606	046-1022-58	50V 1000pF
C709	046-1042-78	0.1uF K B	C1216	043-0566-90	50V 2.2uF K	C1608	046-1022-58	50V 1000pF
C710	168-4752-98	4.7uF K	C1218	043-0559-90	6.3V 22uF	C1610	046-1022-58	50V 1000pF
C711	046-1042-78	0.1uF K B	C1219	043-0559-90	6.3V 22uF	C1612	046-1022-58	50V 1000pF
C715	178-1232-78	0.012uF	C1223	043-0559-90	6.3V 22uF	C1613	168-1052-78	16V 1uF K
C716	046-1042-78	0.1uF K B	C1226	043-6404-90	16V 10uF	C1614	046-1042-78	0.1uF K B
C801	178-1062-88	10uF	C1244	046-3332-78	0.033uF K B	C1615	168-1052-78	16V 1uF K
C802	046-2232-78	0.022uF K B	C1245	046-1045-59	0.1uF Z F	C1616	178-1062-88	10uF
C806	046-1042-78	0.1uF K B	C1249	168-1052-78	16V 1uF K	C1619	168-1022-55	1000pF K
C807	043-0548-50	10V 2.2uF	C1250	043-6404-90	16V 10uF	CN1601	074-2249-04	SOCKET(4P)
C808	046-1022-58	50V 1000pF	C1265	046-1042-78	0.1uF K B	D1	001-2640-90	D1FJ4
C809	178-1062-88	10uF	C1266	168-1052-78	16V 1uF K	D2	001-2640-90	D1FJ4
C810	046-2222-58	2200pF K B	C1268	AAZ0264	16V 1uF	D702	001-2630-90	1SS420-TPL3,F
C811	046-6822-58	6800pF K B	C1272	046-1042-78	0.1uF K B	D904	001-2630-90	1SS420-TPL3,F
C812	046-1042-78	0.1uF K B	C1273	168-1052-78	16V 1uF K	D905	001-2630-90	1SS420-TPL3,F
C814	046-1042-78	0.1uF K B	C1275	168-1052-78	16V 1uF K	D906	001-2630-90	1SS420-TPL3,F
C815	178-1062-88	10uF	C1276	168-1052-78	16V 1uF K	D907	001-2630-90	1SS420-TPL3,F
C816	046-1042-78	0.1uF K B	C1313	046-1022-58	50V 1000pF	D908	001-2630-90	1SS420-TPL3,F
C817	046-3332-78	0.033uF K B	C1314	043-0554-90	25V 10uF	D909	001-2630-90	1SS420-TPL3,F
C818	046-1042-78	0.1uF K B	C1315	046-1022-58	50V 1000pF	D911	001-4910-91	DF5A5.6F
C819	178-1062-88	10uF	C1316	043-0554-90	25V 10uF	D912	001-4910-91	DF5A5.6F
C820	043-0605-90	10V 2.2uF	C1317	168-1052-78	16V 1uF K	D1002	001-1304-90	DAN202U
C821	043-0577-90	6.3V 1.0uF	C1318	043-0554-90	25V 10uF	D1003	001-1325-90	1SS387
C822	046-1042-78	0.1uF K B	C1319	046-1022-58	50V 1000pF	D1103	001-4910-91	DF5A5.6F
C823	178-1062-88	10uF	C1320	043-0554-90	25V 10uF	D1104	001-4910-91	DF5A5.6F
C830	045-2201-50	22pFJ CH	C1321	043-0554-90	25V 10uF	D1109	001-2630-90	1SS420-TPL3,F
C833	178-1062-88	10uF	C1322	046-1022-58	50V 1000pF	D1111	001-2412-90	RR264M-400

REF NO.	PART NO.	DESCRIPTION	REF NO.	PART NO.	DESCRIPTION	REF NO.	PART NO.	DESCRIPTION
D1112	001-0580-90	1SS352			DFT2G	L1205	010-3104-50	30 ohm/100MHz
D1114	001-2412-90	RR264M-400	IC1009	051-7222-60	MC74VHC1G08	L1206	010-3548-50	2.2uH
D1116	001-2630-90	1SS420-TPL3,F			DFT2G	L1210	010-3548-50	2.2uH
D1117	001-2651-90	RSX101M-30TR	IC1010	051-7281-60	MC74VHC1G14	L1301	BMZ0211	BLM18PG121
D1501	001-2630-90	1SS420-TPL3,F			DFT2G			SN1D
D1502	001-2630-90	1SS420-TPL3,F	IC1104	051-7563-90	NLV27WZ16	L1303	010-3126-52	470ohm
D1503	001-2640-90	D1FJ4			DFT2G	L1401	BAZ0381	56uH
D1504	001-2620-90	RB060L-40	IC1106	051-3776-90	NJM2815GM1-51A	L1402	010-3523-50	CDRH5D28RHPNP
D1505	001-2640-90	D1FJ4	IC1201	-----	SC183CULTRT			-220MC
FL1301	BMZ0251	BK20104L121-T			(PAD)	L1503	010-3502-90	10uH
FL1302	010-3303-50	BK20104M601-T			(358800-051)	L1505	010-3502-90	10uH
FL1303	010-3303-50	BK20104M601-T	IC1203	-----	BD3572FP	L1506	010-3502-90	10uH
FL1304	010-3303-50	BK20104M601-T			(thermal pad)	L1601	010-3127-91	220 ohm/100MHz
FL1305	010-3303-50	BK20104M601-T			(358790-051)	NF1103	060-3117-51	CKD510JB1E223
FL1306	010-3303-50	BK20104M601-T	IC1210	051-3328-90	S-1323B18NB-			ST
FL1307	010-3303-50	BK20104M601-T			N8D-TF	NF1104	060-3117-51	CKD510JB1E223
IC101	-----	DRA624AIZKKQ1	IC1211	051-3519-90	NJU7771F05-TE2			ST
		(App DSP)	IC1212	-----	SC183CULTRT	NF1601	010-3303-90	120 ohm/100MHz
		(BGA type)			(PAD)			x4
		(676300-051)	IC1213	051-3519-90	NJU7771F05-TE2	P1103	076-6023-07	7P
IC102	-----	MT41K128M16JT	IC1214	-----	BD00IA5EEFJ-ME2	P1104	074-1302-28	28P
		-125E-IT:K			(LDO REG)	P1201	076-6030-60	10P
		(thermal pad)			(Exposed Pad)	P1203	076-0569-02	2P
		(933920-051)	IC1301	051-6761-80	S-8412AAA7I-	Q601	191-1197-50	2SB1197K Q,R
IC102	-----	K4B2G1646Q-			TCBB30	Q602	191-1197-50	2SB1197K Q,R
		BPH9	IC1401	-----	BD81A04EFV-M	Q603	125-2046-91	DTC114EUBTL
		(DDR3 SDRAM)			(Thermal pad)	Q604	125-2046-91	DTC114EUBTL
		(FBGA)	IC1501	-----	OZ528ILN-B1-0-TR	Q701	125-2046-91	DTC114EUBTL
		(933903-051)			(Thermal pad)	Q901	192-4081-00	2SC4081
IC103	-----	K4B2G1646Q-			(394090-051)	Q902	192-4081-00	2SC4081
		BPH9	IC1601	051-6112-90	BU21024FV-ME2	Q1001	125-0035-91	DTA114EUBTL
		(DDR3 SDRAM)	J601	074-2248-40	SOCKET(40P)	Q1003	125-2046-91	DTC114EUBTL
		(FBGA)	J901	074-2248-80	80P	Q1004	125-0035-91	DTA114EUBTL
		(933903-051)	J902	074-2248-30	30P	Q1006	125-2046-91	DTC114EUBTL
IC103	-----	K4B2G1646Q-	J1001	074-8017-91	16P	Q1010	191-1197-50	2SB1197K Q,R
		BPH9	J1101	074-4105-00	SOCKET(4P)	Q1011	125-2046-91	DTC114EUBTL
		(DDR3 SDRAM)	J1301	074-2248-60	60P	Q1106	190-1576-60	2SA1576UBTL
		(FBGA)	L200	010-3126-52	470ohm	Q1107	125-2046-91	DTC114EUBTL
		(933903-051)	L301	BMZ0211	BLM18PG121	Q1109	190-1576-60	2SA1576UBTL
IC103	-----	MT41K128M16JT	L302	BMZ0211	BLM18PG121	Q1110	192-4081-00	2SC4081
		-125E-IT:K	L303	BMZ0211	BLM18PG121	Q1111	192-4081-00	2SC4081
		(thermal pad)	L304	BMZ0211	BLM18PG121	Q1205	125-2046-91	DTC114EUBTL
		(933920-051)	L305	BMZ0211	BLM18PG121	Q1206	125-7011-90	RSR025P03TL
IC104	-----	MX29GL640EBTI	L501	BMZ0211	BLM18PG121	Q1408	125-8032-90	RVQ040N05 TR
		-70G	L502	010-3417-90	10uH	Q1409	192-4081-00	2SC4081
		(FLASH MICOM)	L503	BMZ0211	BLM18PG121	Q1410	192-4081-00	2SC4081
		(Software should be			SN1D	Q1411	125-2046-91	DTC114EUBTL
		written on			SN1D	Q1502	CA11433	2SA1576AT106R
		production)			SN1D	Q1505	CA11433	2SA1576AT106R
		(982690-051)			SN1D	Q1507	CA11433	2SA1576AT106R
IC201	051-5460-90	R3132Q30EA8-	L504	010-3125-90	120 ohm/100MHz	Q1508	192-4081-00	2SC4081
		TR-F	L604	010-3104-50	30 ohm/100MHz	Q1513	125-2046-91	DTC114EUBTL
IC202	051-6934-90	MF1341S2313	L605	010-3104-50	30 ohm/100MHz	Q1514	125-2046-92	DTC124EUBTL
IC206	051-5460-90	R3132Q30EA8-	L606	010-3104-50	30 ohm/100MHz	R101	033-0000-05	1/16W 0 ohm
		TR-F	L607	010-3104-50	30 ohm/100MHz	R102	033-0000-05	1/16W 0 ohm
IC501	-----	AK8859VN-L	L701	010-2279-50	4.7uH	R103	033-0000-05	1/16W 0 ohm
		(Video-Decoder)	L802	010-3127-91	220 ohm/100MHz	R104	032-0225-53	1/16W 49.9 ohm
		(Thermal pad)	L804	BMZ0211	BLM18PG121	R105	033-3301-15	1/16W 33 ohm J
		(647790-051)			SN1D	R106	033-1031-15	1/16W 10k ohm J
IC603	051-3579-90	S1112B15MCL6			SN1D	R109	033-3301-15	1/16W 33 ohm J
		ATFG			SN1D	R110	033-3301-15	1/16W 33 ohm J
IC604	051-3766-90	BD00HC5EEFJ-	L902	010-3104-50	30 ohm/100MHz	R111	033-3301-15	1/16W 33 ohm J
		ME2	L1002	BMZ0211	BLM18PG121	R112	033-3301-15	1/16W 33 ohm J
IC701	051-5449-90	BU4229G			SN1D	R113	033-1031-15	1/16W 10k ohm J
IC702	052-0329-20	UPD70F3333GC			SN1D	R115	033-3301-15	1/16W 33 ohm J
		(A)-UEU-AX	L1101	BEZ0122	DLP11SN900HL	R116	033-1031-15	1/16W 10k ohm J
IC801	051-3067-90	NJM14558V			2L	R124	033-1001-15	1/16W 10 ohm J
IC803	060-8162-90	BT MODULE	L1105	010-3442-50	LBM2016T3R3J	R125	033-1001-15	1/16W 10 ohm J
		(UGXZD-105A)	L1201	010-3104-50	30 ohm/100MHz	R126	032-0221-90	1/16W 240 ohm 1%
IC804	051-6533-90	AK7756VF	L1202	010-3104-50	30 ohm/100MHz	R127	032-0221-90	1/16W 240 ohm 1%
IC901	051-7222-60	MC74VHC1G08	L1203	010-3104-50	30 ohm/100MHz	R128	032-0221-98	1/16W 120 ohm 1%
		DFT2G	L1204	010-3104-50	30 ohm/100MHz	R129	032-0221-99	1/16W 100 ohm 1%
IC1003	CUZ0502	TC7WH123FKF				R130	032-0221-99	1/16W 100 ohm 1%
IC1004	051-5408-08	S-80921CNMC-				R131	032-0221-99	1/16W 100 ohm 1%
		G8RT2G				R132	032-0221-99	1/16W 100 ohm 1%
IC1005	051-7222-60	MC74VHC1G08						
		DFT2G						
IC1007	051-7222-60	MC74VHC1G08						
		DFT2G						
IC1008	051-7202-90	MC74VHC1G32						

REF NO.	PART NO.	DESCRIPTION	REF NO.	PART NO.	DESCRIPTION	REF NO.	PART NO.	DESCRIPTION
R133	032-0221-99	1/16W 100 ohm 1%	R289	033-1031-15	1/16W 10k ohm J	R737	033-1021-15	1/16W 1k ohm J
R134	032-0221-99	1/16W 100 ohm 1%	R290	033-1031-15	1/16W 10k ohm J	R738	033-1041-15	1/16W 100k ohm J
R135	032-0221-99	1/16W 100 ohm 1%	R291	033-0000-05	1/16W 0 ohm	R739	033-4721-15	1/16W 4.7k ohm J
R136	032-0221-99	1/16W 100 ohm 1%	R292	033-3301-15	1/16W 33 ohm J	R740	033-4731-15	1/16W 47k ohm J
R138	033-1031-15	1/16W 10k ohm J	R294	033-3301-15	1/16W 33 ohm J	R741	033-4731-15	1/16W 47k ohm J
R140	033-3301-15	1/16W 33 ohm J	R295	033-0000-05	1/16W 0 ohm	R742	033-1011-15	1/16W 100 ohm J
R141	033-3301-15	1/16W 33 ohm J	R296	033-1031-15	1/16W 10k ohm J	R743	033-1041-15	1/16W 100k ohm J
R142	033-3301-15	1/16W 33 ohm J	R297	033-1031-15	1/16W 10k ohm J	R745	033-1041-15	1/16W 100k ohm J
R143	033-0000-05	1/16W 0 ohm	R304	032-0221-99	1/16W 100 ohm 1%	R747	033-4731-15	1/16W 47k ohm J
R201	033-3301-15	1/16W 33 ohm J	R305	032-0221-99	1/16W 100 ohm 1%	R748	032-0210-26	1/10W 82 ohm F
R202	033-3301-15	1/16W 33 ohm J	R307	033-0000-05	1/16W 0 ohm	R749	032-0210-26	1/10W 82 ohm F
R203	033-4721-15	1/16W 4.7k ohm J	R401	033-1021-15	1/16W 1k ohm J	R750	032-0210-00	1/10W 330 ohm F
R204	033-3301-15	1/16W 33 ohm J	R402	033-1021-15	1/16W 1k ohm J	R751	032-0210-00	1/10W 330 ohm F
R205	033-3301-15	1/16W 33 ohm J	R408	033-1031-15	1/16W 10k ohm J	R752	033-4731-15	1/16W 47k ohm J
R206	033-3301-15	1/16W 33 ohm J	R411	033-1031-15	1/16W 10k ohm J	R753	033-0000-05	1/16W 0 ohm
R207	033-3301-15	1/16W 33 ohm J	R412	033-1031-15	1/16W 10k ohm J	R755	033-0000-05	1/16W 0 ohm
R208	033-3301-15	1/16W 33 ohm J	R413	033-1031-15	1/16W 10k ohm J	R756	033-4731-15	1/16W 47k ohm J
R209	033-3301-15	1/16W 33 ohm J	R417	033-1031-15	1/16W 10k ohm J	R763	033-1041-15	1/16W 100k ohm J
R210	032-0221-95	1/16W 2.7k ohm F	R422	033-1031-15	1/16W 10k ohm J	R764	033-1041-15	1/16W 100k ohm J
R211	033-3301-15	1/16W 33 ohm J	R424	033-1031-15	1/16W 10k ohm J	R765	033-4731-15	1/16W 47k ohm J
R212	033-0000-05	1/16W 0 ohm	R425	033-1031-15	1/16W 10k ohm J	R801	033-1041-15	1/16W 100k ohm J
R213	033-3301-15	1/16W 33 ohm J	R428	033-1031-15	1/16W 10k ohm J	R802	032-0221-08	1/16W 1k ohm F
R214	033-3301-15	1/16W 33 ohm J	R430	033-1031-15	1/16W 10k ohm J	R803	032-0221-79	1/16W 1.2k ohm F
R215	033-3301-15	1/16W 33 ohm J	R501	033-8201-15	1/16W 82 ohm J	R804	032-0221-33	1/16W 20k ohm F
R216	033-3301-15	1/16W 33 ohm J	R504	032-0221-88	1/16W 30 ohm F	R805	033-1031-15	1/16W 10k ohm J
R217	033-3301-15	1/16W 33 ohm J	R505	033-4701-15	1/16W 47 ohm J	R806	033-1031-15	1/16W 10k ohm J
R218	032-0221-01	1/16W 47 ohm F	R506	032-0221-72	1/16W 470 ohm F	R807	032-0221-51	1/16W 4.7k ohm F
R219	033-0000-05	1/16W 0 ohm	R507	032-0221-61	1/16W 6.8k ohm F	R808	033-0000-05	1/16W 0 ohm
R220	033-0000-05	1/16W 0 ohm	R627	033-4731-15	1/16W 47k ohm J	R809	033-1031-15	1/16W 10k ohm J
R222	033-0000-05	1/16W 0 ohm	R628	033-3911-15	1/16W 390 ohm J	R811	033-0000-05	1/16W 0 ohm
R224	033-3301-15	1/16W 33 ohm J	R633	033-1041-15	1/16W 100k ohm J	R812	033-1011-15	1/16W 100 ohm J
R225	033-3301-15	1/16W 33 ohm J	R634	033-1031-15	1/16W 10k ohm J	R813	033-1011-15	1/16W 100 ohm J
R227	033-1031-15	1/16W 10k ohm J	R635	033-1031-15	1/16W 10k ohm J	R818	033-0000-05	1/16W 0 ohm
R229	033-3301-15	1/16W 33 ohm J	R636	033-5611-15	1/16W 560 ohm J	R828	033-0000-05	1/16W 0 ohm
R230	033-3301-15	1/16W 33 ohm J	R637	033-5611-15	1/16W 560 ohm J	R831	033-1011-15	1/16W 100 ohm J
R231	033-3301-15	1/16W 33 ohm J	R638	033-1041-15	1/16W 100k ohm J	R837	033-1011-15	1/16W 100 ohm J
R232	033-0000-05	1/16W 0 ohm	R640	032-0221-51	1/16W 4.7k ohm F	R838	033-1031-15	1/16W 10k ohm J
R236	033-1031-15	1/16W 10k ohm J	R641	032-0221-56	1/16W 22k ohm F	R839	033-0000-05	1/16W 0 ohm
R237	033-1031-15	1/16W 10k ohm J	R642	032-0221-83	1/16W 3.3k ohm F	R840	032-0221-62	1/16W 8.2k ohm F
R238	033-1031-15	1/16W 10k ohm J	R651	033-0000-05	1/16W 0 ohm	R841	033-1031-15	1/16W 10k ohm J
R239	033-0000-05	1/16W 0 ohm	R701	032-0221-61	1/16W 6.8k ohm F	R844	119-0000-05	1/10W 0 ohm JW
R240	033-0000-05	1/16W 0 ohm	R702	033-4731-15	1/16W 47k ohm J	R845	119-0000-05	1/10W 0 ohm JW
R241	033-3301-15	1/16W 33 ohm J	R703	033-1041-15	1/16W 100k ohm J	R847	032-0221-95	1/16W 2.7k ohm F
R242	033-1031-15	1/16W 10k ohm J	R704	033-1041-15	1/16W 100k ohm J	R853	033-1031-15	1/16W 10k ohm J
R244	033-0000-05	1/16W 0 ohm	R705	033-4731-15	1/16W 47k ohm J	R854	033-1031-15	1/16W 10k ohm J
R245	033-0000-05	1/16W 0 ohm	R706	033-1041-15	1/16W 100k ohm J	R855	033-0000-05	1/16W 0 ohm
R246	033-0000-05	1/16W 0 ohm	R707	033-1041-15	1/16W 100k ohm J	R856	032-0221-01	1/16W 47 ohm F
R247	033-3301-15	1/16W 33 ohm J	R708	033-1041-15	1/16W 100k ohm J	R860	033-0000-05	1/16W 0 ohm
R250	033-0000-05	1/16W 0 ohm	R709	033-1021-15	1/16W 1k ohm J	R861	033-0000-05	1/16W 0 ohm
R252	033-3301-15	1/16W 33 ohm J	R710	033-4731-15	1/16W 47k ohm J	R862	033-0000-05	1/16W 0 ohm
R254	033-3301-15	1/16W 33 ohm J	R711	033-1011-15	1/16W 100 ohm J	R863	033-1011-15	1/16W 100 ohm J
R255	033-1031-15	1/16W 10k ohm J	R712	033-1011-15	1/16W 100 ohm J	R942	033-3301-15	1/16W 33 ohm J
R256	033-4721-15	1/16W 4.7k ohm J	R713	033-1011-15	1/16W 100 ohm J	R943	033-3301-15	1/16W 33 ohm J
R257	033-4721-15	1/16W 4.7k ohm J	R714	033-1011-15	1/16W 100 ohm J	R949	033-3301-15	1/16W 33 ohm J
R258	033-3321-15	1/16W 3.3k ohm J	R715	033-1011-15	1/16W 100 ohm J	R951	033-1031-15	1/16W 10k ohm J
R259	033-3321-15	1/16W 3.3k ohm J	R716	033-1011-15	1/16W 100 ohm J	R954	033-1011-15	1/16W 100 ohm J
R260	033-0000-05	1/16W 0 ohm	R717	033-4731-15	1/16W 47k ohm J	R955	033-1011-15	1/16W 100 ohm J
R261	033-0000-05	1/16W 0 ohm	R718	033-1031-15	1/16W 10k ohm J	R956	033-1011-15	1/16W 100 ohm J
R262	032-0221-32	1/16W 220k ohm F	R720	032-0221-74	1/16W 10k ohm 1%	R957	033-1031-15	1/16W 10k ohm J
R263	033-4721-15	1/16W 4.7k ohm J	R721	032-0221-74	1/16W 10k ohm 1%	R958	033-1031-15	1/16W 10k ohm J
R264	033-4721-15	1/16W 4.7k ohm J	R722	033-0000-05	1/16W 0 ohm	R960	116-2221-15	1/4W 2.2k ohm
R265	033-4721-15	1/16W 4.7k ohm J	R723	033-0000-05	1/16W 0 ohm	R961	033-4731-15	1/16W 47k ohm J
R267	033-0000-05	1/16W 0 ohm	R724	033-3331-15	1/16W 33k ohm J	R962	033-0000-05	1/16W 0 ohm
R269	033-0000-05	1/16W 0 ohm	R725	033-3331-15	1/16W 33k ohm J	R1007	033-3301-15	1/16W 33 ohm J
R272	033-3301-15	1/16W 33 ohm J	R726	033-0000-05	1/16W 0 ohm	R1008	033-3301-15	1/16W 33 ohm J
R273	033-0000-05	1/16W 0 ohm	R727	033-0000-05	1/16W 0 ohm	R1009	033-3301-15	1/16W 33 ohm J
R276	033-0000-05	1/16W 0 ohm	R728	119-3331-15	1/10W 33k ohm	R1010	033-3301-15	1/16W 33 ohm J
R277	033-0000-05	1/16W 0 ohm	R729	033-4731-15	1/16W 47k ohm J	R1011	033-3301-15	1/16W 33 ohm J
R278	033-0000-05	1/16W 0 ohm	R730	033-0000-05	1/16W 0 ohm	R1012	033-1011-15	1/16W 100 ohm J
R279	033-0000-05	1/16W 0 ohm	R731	033-1011-15	1/16W 100 ohm J	R1014	033-4731-15	1/16W 47k ohm J
R282	033-0000-05	1/16W 0 ohm	R732	033-1041-15	1/16W 100k ohm J	R1032	032-0221-75	1/16W 47k ohm F
R283	033-0000-05	1/16W 0 ohm	R733	033-1041-15	1/16W 100k ohm J	R1033	033-4731-15	1/16W 47k ohm J
R286	033-1031-15	1/16W 10k ohm J	R734	033-1041-15	1/16W 100k ohm J	R1036	033-1031-15	1/16W 10k ohm J
R287	033-1041-15	1/16W 100k ohm J	R735	033-1041-15	1/16W 100k ohm J	R1037	033-1041-15	1/16W 100k ohm J
R288	033-1031-15	1/16W 10k ohm J	R736	033-1021-15	1/16W 1k ohm J	R1038	033-4721-15	1/16W 4.7k ohm J

REF NO.	PART NO.	DESCRIPTION	REF NO.	PART NO.	DESCRIPTION	REF NO.	PART NO.	DESCRIPTION
R1039	033-1031-15	1/16W 10k ohm J	R1462	033-2231-15	1/16W 22k ohm J	RN110	050-0156-59	1/16W 33 ohm x4
R1040	033-4731-15	1/16W 47k ohm J	R1463	032-0221-56	1/16W 22k ohm F	RN112	050-0156-59	1/16W 33 ohm x4
R1041	033-4731-15	1/16W 47k ohm J	R1464	032-0210-88	1/10W 5.1k ohm F	RN113	050-0156-59	1/16W 33 ohm x4
R1042	033-4731-15	1/16W 47k ohm J	R1466	032-0221-59	1/16W 220 ohm F	RN114	050-0156-59	1/16W 33 ohm x4
R1043	033-1011-15	1/16W 100 ohm J	R1467	032-0221-75	1/16W 47k ohm F	RN115	050-0156-59	1/16W 33 ohm x4
R1045	033-4731-15	1/16W 47k ohm J	R1468	032-0221-59	1/16W 220 ohm F	RN116	050-0156-59	1/16W 33 ohm x4
R1050	033-1031-15	1/16W 10k ohm J	R1469	033-5121-15	1/16W 5.1k ohm	RN117	050-0156-59	1/16W 33 ohm x4
R1051	033-5611-15	1/16W 560 ohm J	R1470	033-2231-15	1/16W 22k ohm J	RN201	050-0156-59	1/16W 33 ohm x4
R1053	033-2221-15	1/16W 2.2k ohm J	R1471	032-0221-10	1/16W 15k ohm F	RN203	050-0156-59	1/16W 33 ohm x4
R1114	119-1021-15	1/10W 1k ohm	R1472	032-0221-74	1/16W 10k ohm 1%	RN204	050-0156-59	1/16W 33 ohm x4
R1115	119-1021-15	1/10W 1k ohm	R1473	032-0221-56	1/16W 22k ohm F	RN205	050-0156-59	1/16W 33 ohm x4
R1121	119-1021-15	1/10W 1k ohm	R1474	032-0221-56	1/16W 22k ohm F	RN206	050-0156-59	1/16W 33 ohm x4
R1122	119-1031-15	1/10W 10k ohm	R1476	032-0221-06	1/16W 100k ohm F	RN207	050-0156-53	1/16W 0 ohm x4
R1124	033-1011-15	1/16W 10k ohm J	R1477	032-0221-56	1/16W 22k ohm F	RN208	050-0156-59	1/16W 33 ohm x4
R1125	033-1031-15	1/16W 10k ohm J	R1478	119-0000-05	1/10W 0 ohm JW	RN209	050-0156-59	1/16W 33 ohm x4
R1142	033-2221-15	1/16W 2.2k ohm J	R1481	119-0000-05	1/10W 0 ohm JW	RN210	050-0156-59	1/16W 33 ohm x4
R1143	033-0000-05	1/16W 0 ohm	R1482	119-0000-05	1/10W 0 ohm JW	RN211	050-0156-59	1/16W 33 ohm x4
R1145	116-1021-15	1/4W 1k ohm	R1483	033-2231-15	1/16W 22k ohm J	RN213	050-0156-59	1/16W 33 ohm x4
R1146	116-1021-15	1/4W 1k ohm	R1484	033-2231-15	1/16W 22k ohm J	RN214	050-0156-59	1/16W 33 ohm x4
R1147	116-1021-15	1/4W 1k ohm	R1485	033-2231-15	1/16W 22k ohm J	RN216	050-0156-59	1/16W 33 ohm x4
R1148	033-2221-15	1/16W 2.2k ohm J	R1487	032-0221-61	1/16W 6.8k ohm F	RN217	050-0156-78	1/16W 1k ohm x4
R1149	033-1031-15	1/16W 10k ohm J	R1488	032-0221-95	1/16W 2.7k ohm F	RN403	050-0156-57	1/16W 10k ohm x4
R1150	033-1031-15	1/16W 10k ohm J	R1501	033-4721-15	1/16W 4.7k ohm J	RN404	050-0156-57	1/16W 10k ohm x4
R1151	033-1021-15	1/16W 1k ohm J	R1504	119-2711-15	1/10W 270 ohm	RN501	050-0156-59	1/16W 33 ohm x4
R1152	033-2221-15	1/16W 2.2k ohm J	R1505	033-4721-15	1/16W 4.7k ohm J	RN502	050-0156-59	1/16W 33 ohm x4
R1153	033-1021-15	1/16W 1k ohm J	R1506	033-1031-15	1/16W 10k ohm J	RN702	050-0156-63	1/16W 47k ohm x4
R1154	033-5621-15	1/16W 5.6k ohm J	R1509	033-1031-15	1/16W 10k ohm J	RN703	050-0156-64	1/16W 100k ohm x4
R1155	033-1031-15	1/16W 10k ohm J	R1510	032-0221-59	1/16W 220 ohm F	RN901	050-0156-59	1/16W 33 ohm x4
R1156	033-3931-15	1/16W 39k ohm J	R1512	032-0221-59	1/16W 220 ohm F	RN918	050-0156-59	1/16W 33 ohm x4
R1157	119-3921-15	1/10W 3.9k ohm	R1514	032-0221-83	1/16W 3.3k ohm F	RN919	050-0156-59	1/16W 33 ohm x4
R1158	116-1011-15	1/4W 100 ohm	R1516	032-0210-02	1/10W 56k ohm 1%	RN922	050-0156-52	1/16W 100 ohm x4
R1159	033-1021-15	1/16W 1k ohm J	R1519	032-0210-58	1/10W 12k ohm F	RN923	050-0156-52	1/16W 100 ohm x4
R1160	033-2221-15	1/16W 2.2k ohm J	R1520	032-0210-17	1/10W 6.8k ohm F	RN924	050-0156-57	1/16W 10k ohm x4
R1161	033-0000-05	1/16W 0 ohm	R1521	033-0000-05	1/16W 0 ohm	RN925	050-0156-57	1/16W 10k ohm x4
R1166	033-3321-15	1/16W 3.3k ohm J	R1522	032-0210-88	1/10W 5.1k ohm F	RN1002	050-0156-63	1/16W 47k ohm x4
R1167	033-6821-15	1/16W 6.8k ohm J	R1523	032-0210-58	1/10W 12k ohm F	RN1301	050-0156-66	1/16W 47 ohm x4
R1168	033-4711-15	1/16W 470 ohm J	R1524	032-0210-59	1/10W 5.6k ohm F	RN1302	050-0140-67	1/32W 220 ohm x4J
R1172	116-1011-15	1/4W 100 ohm	R1525	032-0210-72	1/10W 1.8k ohm	RN1303	050-0140-67	1/32W 220 ohm x4J
R1177	033-1021-15	1/16W 1k ohm J			1%	RN1304	050-0140-67	1/32W 220 ohm x4J
R1188	032-0221-74	1/16W 10k ohm 1%	R1527	032-0210-40	1/10W 1.3k ohm F	RN1305	050-0140-67	1/32W 220 ohm x4J
R1211	032-0221-04	1/16W 10 ohm F	R1528	032-0210-88	1/10W 5.1k ohm F	RN1306	050-0140-67	1/32W 220 ohm x4J
R1220	032-0221-30	1/16W 150k ohm F	R1529	032-0210-88	1/10W 5.1k ohm F	RN1307	050-0140-67	1/32W 220 ohm x4J
R1221	032-0221-10	1/16W 15k ohm F	R1531	032-0210-57	1/10W 4.7k ohm F	SUP1101	001-4323-90	RCLAMP0502A
R1222	032-0221-06	1/16W 100k ohm F	R1533	032-0210-95	1/10W 2k ohm F	TH701	002-0315-00	TN10-3U153JT
R1232	032-0221-74	1/16W 10k ohm 1%	R1536	032-0210-16	1/10W 1.2k ohm F	TH1100	002-0335-50	SMD1812P050TF/30
R1233	032-0221-63	1/16W 12k ohm F	R1540	033-3321-15	1/16W 3.3k ohm J			
R1234	032-0221-96	1/16W 820 ohm 1%	R1543	033-2231-15	1/16W 22k ohm J	TH1202	002-0335-51	SMD1812P150TF/24
R1292	119-2731-15	1/10W 27k ohm	R1546	033-2231-15	1/16W 22k ohm J			
R1294	119-1231-15	1/10W 12k ohm	R1547	033-2231-15	1/16W 22k ohm J	VR1108	001-9213-50	EZJZ1V270EA
R1298	033-1001-15	1/16W 10 ohm J	R1550	033-2231-15	1/16W 22k ohm J	VR1109	001-9213-50	EZJZ1V270EA
R1334	119-1031-15	1/10W 10k ohm	R1557	033-3331-15	1/16W 33k ohm J	VR1110	001-9213-50	EZJZ1V270EA
R1335	033-3301-15	1/16W 33 ohm J	R1558	033-2231-15	1/16W 22k ohm J	VR1111	001-9213-50	EZJZ1V270EA
R1337	119-1031-15	1/10W 10k ohm	R1564	117-1021-15	1/8W 1k ohm	VR1112	001-9213-50	EZJZ1V270EA
R1340	119-1031-15	1/10W 10k ohm	R1569	117-0000-05	1/8W 0 ohm JW	VR1113	001-9213-50	EZJZ1V270EA
R1342	119-1031-15	1/10W 10k ohm	R1578	033-1031-15	1/16W 10k ohm J	VR1114	001-9213-50	EZJZ1V270EA
R1343	119-1031-15	1/10W 10k ohm	R1582	116-0000-05	1/4W 0 ohm JW	VR1116	001-9213-50	EZJZ1V270EA
R1344	119-1031-15	1/10W 10k ohm	R1603	032-0221-03	1/16W 22 ohm 1%	VR1117	001-9213-50	EZJZ1V270EA
R1365	033-1011-15	1/16W 100 ohm J	R1605	032-0221-03	1/16W 22 ohm 1%	VR1118	001-9213-50	EZJZ1V270EA
R1366	032-0221-91	1/16W 18 ohm F	R1607	032-0221-03	1/16W 22 ohm 1%	X201	061-3575-70	FA-238
R1370	119-4301-15	1/10W 43 ohm	R1608	032-0221-03	1/16W 22 ohm 1%			22.5792MHz
R1374	032-0221-91	1/16W 18 ohm F	R1609	AQZ0462	1/16W 330k ohm	X202	061-3609-90	FA-238 20MHz
R1375	119-1611-15	1/10W 160 ohm	R1610	AQZ0462	1/16W 330k ohm	X204	061-9227-90	32.768kHz
R1380	119-4301-15	1/10W 43 ohm	R1611	AQZ0462	1/16W 330k ohm	X501	061-3581-70	FA-238 24.576MHz
R1381	119-1611-15	1/10W 160 ohm	R1612	AQZ0462	1/16W 330k ohm	X701	061-3574-90	3.981312MHz
R1383	032-0221-15	1/16W 56 ohm	R1621	033-4721-15	1/16W 4.7k ohm J	ZD901	001-4305-20	UDZSTE-17 5.6B
R1384	032-0221-17	1/16W 180 ohm	R1622	033-3301-15	1/16W 33 ohm J	ZD902	001-4305-20	UDZSTE-17 5.6B
R1385	032-0221-17	1/16W 180 ohm	RN101	050-0156-53	1/16W 0 ohm x4	ZD903	001-4305-20	UDZSTE-17 5.6B
R1386	032-0221-15	1/16W 56 ohm	RN102	050-0156-53	1/16W 0 ohm x4	ZD1103	001-4305-32	UDZSTE-17 7.5B
R1387	032-0221-03	1/16W 22 ohm 1%	RN103	050-0156-53	1/16W 0 ohm x4	ZD1501	001-4305-23	UDZSTE-17 18B
R1454	032-0246-50	0.75W 0.2 ohm	RN104	050-0156-53	1/16W 0 ohm x4	ZD1601	001-4342-50	TFZFHTR6.2B
R1455	032-0246-50	0.75W 0.2 ohm	RN105	050-0156-53	1/16W 0 ohm x4	ZD1602	001-4342-50	TFZFHTR6.2B
R1457	033-2231-15	1/16W 22k ohm J	RN106	050-0156-53	1/16W 0 ohm x4	ZD1603	001-4342-50	TFZFHTR6.2B
R1459	119-4791-15	1/10W 4.7 ohm	RN107	050-0156-59	1/16W 33 ohm x4	ZD1604	001-4342-50	TFZFHTR6.2B
R1460	033-2231-15	1/16W 22k ohm J	RN108	050-0156-59	1/16W 33 ohm x4	PWB	039-4480-00	PWB(WITHOUT COMPONENTS)
R1461	033-2231-15	1/16W 22k ohm J	RN109	050-0156-59	1/16W 33 ohm x4			