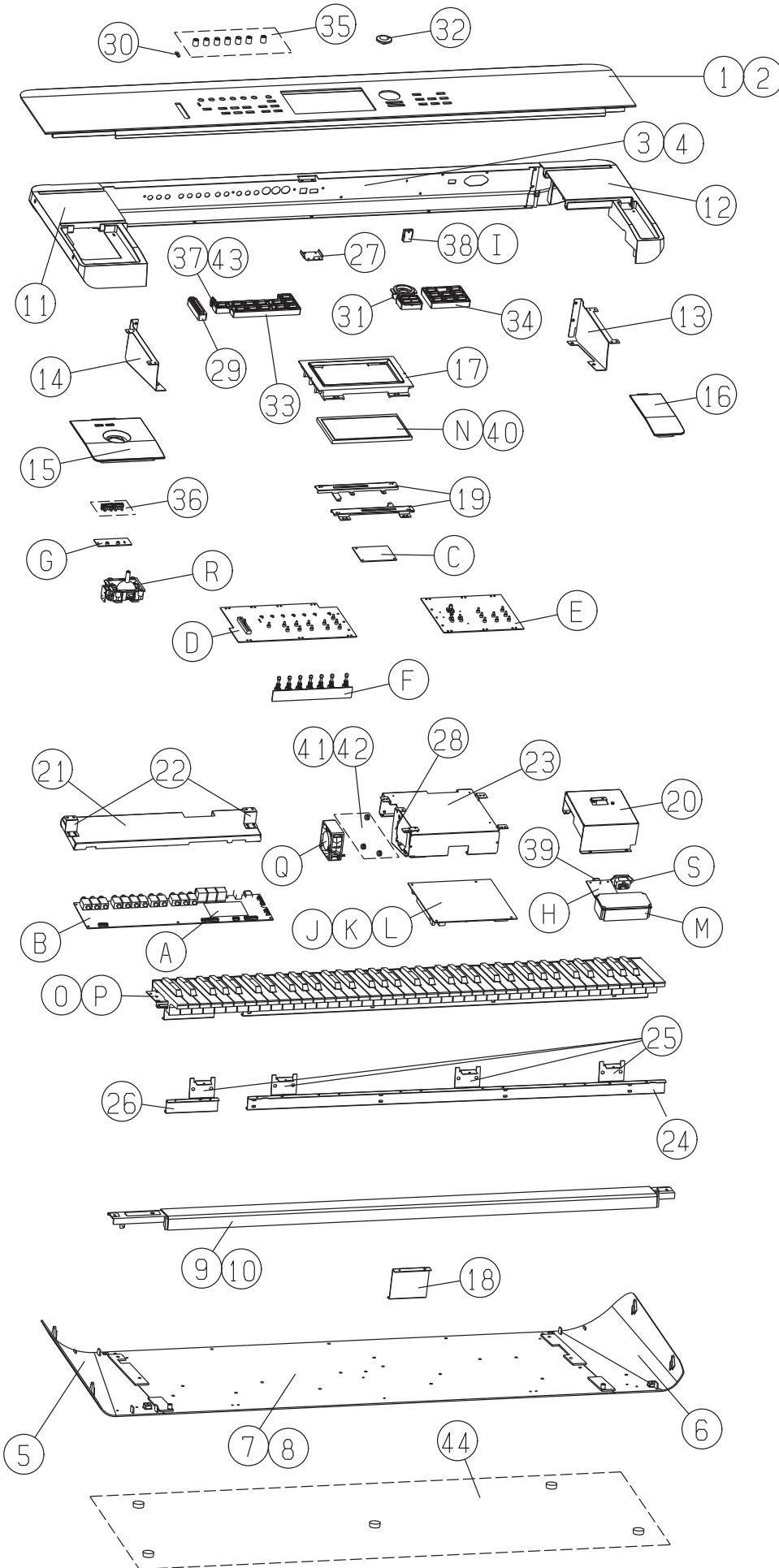


NAUTILUS 61/73KEY EXPLODED VIEW



No.	PARTS NAME	Qty	
		61KEY	73KEY
1	X18110 PANEL C50082-1	1	-
2	X18111 PANEL C50083-1	-	1
3	X18110 PANEL REAR C50085-1	1	-
4	X18111 PANEL REAR C50086-1	-	1
5	18110 BRD BTM L ASSY C50139-1	1	1
6	18110 BRD BTM R ASSY C50140-1	1	1
7	18110 BRD BTM M ASSY C50141-1	1	-
8	18111 BRD BTM M ASSY C50142-1	-	1
9	18110 BAR FRONT ASSY E50074-1	1	-
10	18111 BAR FRONT ASSY E50075-1	-	1
11	18110 CASESIDE L ASSY E50076-1	1	1
12	18110 CASESIDE R ASSY E50077-1	1	1
13	X18110 CHASSIS SIDE R C50090-1	1	1
14	X18110 CHASSIS SIDE L C50090-2	1	1
15	18110 PANEL JS ASSY E50078-1	1	1
16	18110 KEY BLOCK ASSY E50079-1	1	1
17	18110 FRAME LCD ASSY H50140-1	1	1
18	X18110 STAY CENTER C50092-1	1	1
19	X18110 ANGLE LCD KOC-C50094-1	2	2
20	X18110 BOX PW KOC-C50096-1	1	1
21	X18110 CHASSIS JACK C50099-1	1	1
22	X18110 ANGLE JACK KOC-C50100-1	2	2
23	X18110 BOX MB KOC-C50098-1	1	1
24	X4100 KBF CHASSIS C30735	1	1
25	X4100 KBR CHASSIS C41487	3	4
26	X18111 KBF CHASSIS S C50109-1	-	1
27	X18110 ANGLE REAR KOC-C50102-1	1	1
28	X18110 ANGLE FAN KOC-C50144-1	1	1
29	18110 FRAM SLIDE ASSY E50081-1	1	1
30	18110 KNOB SLIDE ASSY E50082-1	1	1
31	18110 FRAM ENCDR ASSY E50083-1	1	1
32	18110 KNOB ENCDR ASSY E50084-1	1	1
33	18110 BLOCK SW1 ASSY H50141-1	1	1
34	18110 BLOCK SW2 ASSY E50086-1	1	1
35	18110 KNOB ASSY E50087-1	7	7
36	X14100 BUTTON S E30810	2	2
37	18110 RFLCTR LED ASSY E50088-1	1	1
38	18110 RFLCTR R ASSY E50137-1	1	1
39	POWER SW KNOB E40224	1	1
40	X18110 SPNG LCD3 ASSY F50109-3	3	3
41	VB-1006-95T(DAMPER)	3	3
42	POM SPACER C-306	3	3
43	IRRAX TUBE A-4.0 BLACK L=10	3	3
44	CASE LEG FF009-P4070-AR791	5	5
A	KLM55035(CPU)	1	1
B	KLM55036(JACK)	1	1
C	KLM55037(LCD)	1	1
D	KLM55038(PANEL L)	1	1
E	KLM55039(PANEL R)	1	1
F	KLM55040(PUSH VR)	1	1
G	KLM55041(SW1/2)	1	1
H	KLM55042(POWER)	1	1
I	KLM55128(LOGO)	1	1
J	MOTHER BOARD	1	1
K	SSD	1	1
L	SO-DIMM	1	1
M	PJT-15V65WBAK(POWER SUPPLY)	1	1
N	LCD UNIT	1	1
O	KEYBOARD UNIT SK-61W	1	-
P	KEYBOARD UNIT SK-37W	-	1
Q	RDM6025S(260MM) (DC FAN)	1	1
R	X17900 JOY STICKE ASSY EXP	1	1
S	AC-P16CS40(AC INLET)	1	1

KORG NAUTILUS Parts List

⚠ : SAFETY CRITICAL COMPONENT.
Assem=Assembly view item number

Code	Category	Part Name	Description	Remark	QTY		
					61	73	88
500320021166	MEMORY	AT88SC0204CA-SH-T	KLM55035	[Top] IC4		1	
500324014001	FLASH(NOR)	W25Q32JVSNIQ	KLM55035	[Top] IC5		1	
500335400471	CRYSTAL	FA-238 24MHZ 15PF 50PPM	KLM55035	[Top] X1		1	
500474045580	CONNECTOR	XF3M-4015-1B	KLM55035	[Top] CN1		1	
500474045579	CONNECTOR	AXK6S00647YG	KLM55035	[Bot] CN3		1	
200241790006	KLM55035 NAUTILUS FOR SERVICE	KLM55035 Assy.	KLM55035	NAUTILUS-61/73/88		1	
500314038200	SCHOTTKY DIODE	RSX301LAM30-TR	KLM55036	[Top]D8, D10, D12, D13, D14, D15		6	
500324009039	OPAMP	NJM4580M-TE1	KLM55036	[Top]IC3, IC3_B1, IC3_B2, IC3_B3, IC3_B4, IC6, IC7, IC8, IC14_F1, IC14_F2, IC21		11	
500324022174	Headphone Amplifier	TPA6120A2RGYR	KLM55036	[Top]IC24		1	
500324036020	ADC	PCM1862DBTR	KLM55036	[Top]IC9		1	
500324036019	D/A Converter	PCM1791ADBR	KLM55036	[Top]IC1, IC2, IC5		3	
500324036018	Buffer	PCA9306DCTR	KLM55036	[Top]IC13		1	
500324022006	REGULATOR IC	LME49721MAX/NOBP	KLM55036	[Top]IC27, IC28		2	
500324022161	REGULATOR IC	TPS7A3301RGWR	KLM55036	[Top]IC26		1	
500324022162	REGULATOR IC	TPS7A4700RGWR	KLM55036	[Top]IC25		1	
500324022187	IC	TPS7A8701RTJ	KLM55036	[Top]IC19		1	
500324022180	IC	TPS54140ADGQ	KLM55036	[Top]IC17		1	
500324022182	IC	TPS561208DDC	KLM55036	[Top]IC20		1	
500324022183	IC	TPS562208DDC	KLM55036	[Top]IC23		1	
500324022184	IC	TPS563208DDC	KLM55036	[Top]IC22		1	
500324022178	REGULATOR IC	TPS2065CDBV	KLM55036	[Top]IC11		1	
500330004500	PHOTO COUPLER	TLP2368(TLMIDI.E(O	KLM55036	[Top]PC1		1	
500335400670	CRYSTAL	SG-210STF 24.576MHZ	KLM55036	[Top]X1		1	
500454012775	PHONE JACK	PJ-662-EP	KLM55036	[Top]PH1, PH2, PH3, PH4, PH5, PH6, PH7, PH8, PH9, PH10, PH11, PH12		12	
500454012770	DIN PLUG/JACK	DIN08-017-01	KLM55036	[Top]DIN1, DIN2, DIN3		3	
500454012757	CONNECTOR	QT-6301-004	KLM55036	[Top]USB1		1	
500474045544	CONNECTOR	YKF45-0033N(USB RA A-TYPE)	KLM55036	[Top]USB2		1	
500474045578	CONNECTOR	AXK5S00047YG	KLM55036	[Top]CN4B		1	
500540029002	SPACER	N0604020A	KLM55036	[Top]ST1, ST2, ST3		3	
200241790002	CIRCUIT ASS'Y BOARD	KLM55036 Assy.	KLM55036	NAUTILUS-61/73/88		1	
500314038200	SCHOTTKY DIODE	RSX301LAM30TR	KLM55037	[Top] D1, D2, D3		3	
500324022185	DC-DC Converter	TPS65105RGER	KLM55037	[Top] IC2		1	
500324017038	DC-DC Converter	R1202L321D-TR	KLM55037	[Top] IC1		1	
500324007057	INTERFACE IC	BU21025GUL-E2	KLM55037	[Top] IC3		1	
500474045581	FFC CONNECTOR	XF3M(1)-0415-1B	KLM55037	[Top] CN20		1	
500474045580	FFC CONNECTOR	XF3M-4015-1B	KLM55037	[Top] CN2B		1	
500474045562	FFC CONNECTOR	XF3M-5015-1B	KLM55037	[Top] CN19		1	
200241790003	CIRCUIT ASS'Y BOARD	KLM55037 Assy.	KLM55037	NAUTILUS-61/73/88		1	
500324017039	REGULATOR IC	RP130K401D-TR	KLM55038 41 128	[Top] IC51, IC101		2	
500314038400	Chip LED	LW Q38G-Q2OO-3K5L-1	KLM55038 41 128			23	
500314038300	LED	LBQ39G-N10O-35-1	KLM55038 41 128	[Top] LED50		1	
500312055200	Chip LED	KPT-1608SURCK-KORG	KLM55038 41 128	[Top] LED51		1	
500374001500	SW	SKRGAED010	KLM55038_41_128	[Top] SW200, SW201		2	
500374001600	SW	SKRGARD010	KLM55038_41_128	[Top] SW50, SW51, SW52, SW53, SW54, SW55, SW56, SW57, SW58, SW59, SW60, SW61, SW100, SW101, SW102, SW103, SW104, SW105, SW106, SW107, SW108, SW109, SW110, SW111		24	
500370007100	ENCODER SWITCHS	EC12E24404A9	KLM55038 41 128	[Top] EC1		1	
500365012600	SLIDE VR	RS4511219A05	KLM55038_41_128	[KLM55038] [Top] VR1		1	
500362009109	VR	RK097111T065	KLM55038_41_128	[KLM55040] [Top] VR2, VR3, VR4, VR5, VR6, VR7, VR8		7	
200241790004	CIRCUIT ASS'Y BOARD	KLM55038-41/128 Assy.	KLM55038 41 128	NAUTILUS-61-88		1	
500324022179	DCDC	TPS259271DRCR	KLM55042	[Top]IC2		1	
500324022181	DCDC	TPS54531DDAR	KLM55042	[Top]IC3		1	

Code	Category	Part Name	Description	Remark	QTY		
					61	73	88
500314038009	DIODE	SM540A-T	KLM55042	[Top]D1, D2		2	
500373011054	SW	PS-22F03 (NON-LOCKED)	KLM55042	[Top]SW1		1	
500471200001	CONNECTOR	C4201WV0-2x2p	KLM55042	[Top]CN6		1	
200241790005	CIRCUIT ASSY BOARD	KLM55042 Assy.	KLM55042	NAUTILUS-61-88		1	
500475150041	Harness	HNS50041-KV	Harness		1	1	1
500475150042	Harness	HNS50042-KV	Harness		1	1	1
500475150046	Harness	HNS50046	Harness		1	1	1
500475150047	Harness	HNS50047-KV	Harness		1	1	1
500475150048	Harness	HNS50048-KV	Harness		1	1	1
500475150049	Harness	HNS50049-KV	Harness		1	1	1
500475150050	Harness	HNS50050-KV	Harness		1		
500475150051	Harness	HNS50051-KV	Harness		1		
500475150052	Harness	HNS50052-KV	Harness		1	1	
500475150053	Harness	HNS50053-KV	Harness			1	
500475150054	Harness	HNS50054-KV	Harness			1	
500475150056	Harness	HNS50056-KV	Harness				1
500475150057	Harness	HNS50057-KV	Harness				1
500475150058	Harness	HNS50058-KV	Harness				1
500475150067	Harness	HNS50067	Harness		1	1	
500475150068	Harness	HNS50068	Harness		1	1	
500475150069	Harness	HNS50069-KV	Harness		1	1	
500475150071	Harness	HNS50071	Harness				1
500475150072	Harness	HNS50072	Harness				1
500475150073	Harness	HNS50073-KV	Harness				1
500002189811	MOTHER BOARD	IMB-140D-KDM	Assembly		1	1	1
	SCREW	FE 2x3 NYLOCK	Assembly		1	1	1
500435007102	SSD	M060BU64MUCKG	Assembly		1	1	1
500002191900	SO-DIMM	D3N1600-LS4GSEJ9	Assembly		1	1	1
500002208812	PowerSupply Board	PJT-15V65WBAK	Assembly		1	1	1
500313007603	LCD	COG-T700MIWE-39P	Assembly		1	1	1
500420010004	KEYBOARD UNIT	SK-61W	Assembly		1		
500420010005	KEYBOARD UNIT	SK-73W	Assembly			1	
500420009986	KEYBOARD UNIT	RH-3D 88KEY	Assembly				1
500437000800	DC FAN	RDM6025S (260MM)	Assembly		1	1	1
500002208815	Joystick ASSY	X17900 JOY STICK ASSY EXP	Assembly		1	1	1
500540028954	AC INLET	AC-P16CS40	Assembly		1	1	1
500600006521	AC CABLE	LY100JPVCTFLY35LY18(JP)	Allocation(61,73)	100JP		1	
500540028958	POWER PLUG/JACK	CONVERTER SOCKET YL-212-R	Allocation(61,73)	100JP		1	
500600005700	AC CABLE	UC-953-J01	Allocation(61,73)	120EX		1	
500600005800	AC CABLE	SC-111-J01	Allocation(61,73)	230AU		1	
500600005400	AC CABLE	EC-652-E03	Allocation(61,73)	230GE		1	
500600006507	AC CABLE	LY230BSH05VVFBLSY13(UK)	Allocation(61,73)	230UK		1	
500600006523	AC CABLE	SP-506A+IS-14N(CCC;3C:1.8M)	Allocation(61,73)	220CH		1	
500600006524	AC CABLE	SP-504A+IS-14N(CCC;3C:1.8M)	Allocation(61,73)				
500600006525	AC CABLE	LY-6A+LY4(CCC;3CF:1.8M)	Allocation(61,73)				
500600006521	AC CABLE	LY100JPVCTFLY35LY18(JP)	Allocation (88)	100JP		1	
500540028958	POWER PLUG/JACK	CONVERTER SOCKET YL-212-R	Allocation (88)	100JP		1	
500600005700	AC CABLE	UC-953-J01	Allocation (88)	120EX		1	
500600005800	AC CABLE	SC-111-J01	Allocation (88)	230AU		1	
500600005400	AC CABLE	EC-652-E03	Allocation (88)	230GE		1	
500600006507	AC CABLE	LY230BSH05VVFBLSY13(UK)	Allocation (88)	230UK		1	
500600006523	AC CABLE	SP-506A+IS-14N(CCC;3C:1.8M)	Allocation (88)	220CH		1	
500600006524	AC CABLE	SP-504A+IS-14N(CCC;3C:1.8M)	Allocation (88)				
500600006525	AC CABLE	LY-6A+LY4(CCC;3CF:1.8M)	Allocation (88)				
500642000110		X18110 PANEL C50082-1	Mechanical		1		
500642000111		X18111 PANEL C50083-1	Mechanical			1	
500641042332		X18110 PANEL REAR C50085-1	Mechanical		1		
500641042333		X18111 PANEL REAR C50086-1	Mechanical			1	
500642000136		X18110 BRD BTM L ASSY C50139-1	Mechanical		1	1	
500642000137		X18110 BRD BTM R ASSY C50140-1	Mechanical		1	1	
500642000134		X18110 BRD BTM M ASSY C50141-1	Mechanical		1		
500642000135		X18111 BRD BTM M ASSY C50142-1	Mechanical			1	
500646100870		X18110 BAR FRONT ASSY E50074-1	Mechanical		1		
500646100871		X18111 BAR FRONT ASSY E50075-1	Mechanical			1	
500646100872		X18110 CASESIDE L ASSY E50076-1	Mechanical		1	1	
500646100873		X18110 CASESIDE R ASSY E50077-1	Mechanical		1	1	
500646100874		X18110 PANEL JS ASSY E50078-1	Mechanical		1	1	
500646100875		X18110 KEY BLOCK ASSY E50079-1	Mechanical		1	1	
500646100886		X18110 FRAME LCD ASSY H50140-1	Mechanical		1	1	
500646100876		X18110 FRAM SLIDE ASSY E50081-1	Mechanical		1	1	
500646100877		X18110 KNOB SLIDE ASSY E50082-1	Mechanical		1	1	
500646100878		X18110 FRAM ENCDR ASSY E50083-1	Mechanical		1	1	
500646100879		X18110 KNOB ENCDR ASSY E50084-1	Mechanical		1	1	
500646100887		X18110 BLOCK SW1 ASSY H50141-1	Mechanical		1	1	
500646100880		X18110 BLOCK SW2 ASSY E50086-1	Mechanical		1	1	
500646100881		X18110 KNOB ASSY E50087-1	Mechanical		7	7	
500620049780	PLASTIC KNOB (ABS)	X14100 BUTTON S E30810	Mechanical		2	2	
500646100882		X18110 RFLCTR LED ASSY E50088-1	Mechanical		1	1	
500646100883		X18110 RFLCTR R ASSY E50137-1	Mechanical		1	1	
500620018200	PLASTIC KNOB (ABS)	h' 7-SW773 KOC-E40224	Mechanical		1	1	

Code	Category	Part Name	Description	Remark	QTY		
					61	73	88
500500037083		X18110 SPNG LCD3 ASSY F50109-3	Mechanical		3	3	
500540029007		FF009-P4070-AR791	Mechanical		5	5	
500642000112		X18112 PANEL C50084-1	Mechanical				1
500641042334		X18112 PANEL REAR C50087-1	Mechanical				1
500645055321		X18112 PANEL SIDE L D50046-1	Mechanical				1
500645055322		X18112 PANEL SIDE R D50046-2	Mechanical				1
500645055320		X18112 BOARD BOTTOM D50039-1	Mechanical				1
500642000113		X18112 BAR FRONT C50103-1	Mechanical				1
500646100884		X18112 PANEL JS ASSY E50089-1	Mechanical				1
500646100885		X18112 KEY BLOCK ASSY E50090-1	Mechanical				1
500646100886		X18110 FRAME LCD ASSY H50140-1	Mechanical				1
500646100876		X18110 FRAM SLIDE ASSY E50081-1	Mechanical				1
500646100877		X18110 KNOB SLIDE ASSY E50082-1	Mechanical				1
500646100878		X18110 FRAM ENCDR ASSY E50083-1	Mechanical				1
500646100879		X18110 KNOB ENCDR ASSY E50084-1	Mechanical				1
500646100887		X18110 BLOCK SW1 ASSY H50141-1	Mechanical				1
500646100880		X18110 BLOCK SW2 ASSY E50086-1	Mechanical				1
500646100881		X18110 KNOB ASSY E50087-1	Mechanical				7
500620049780	PLASTIC KNOB (ABS)	X14100 BUTTON S E30810	Mechanical				2
500646100882		X18110 RFLCTR LED ASSY E50088-1	Mechanical				1
500646100823	PLASTIC OUTER (ABS)	X13100 R-REFLECTR KOC-E40931	Mechanical				1
500620018200	PLASTIC KNOB (ABS)	ハ 7-SWツマミ KOC-E40224	Mechanical				1
500500037083		X18110 SPNG LCD3 F50109-3	Mechanical				3
500500037007	RUBBER FOOT (EPDM)	ゴ 47 K-24W	Mechanical				5
500550023539	NONWOVEN	X13102 KB FELT KOC-F41960-2	Mechanical				1

[Note] * Made-to-order part. May take a longer time to deliver.