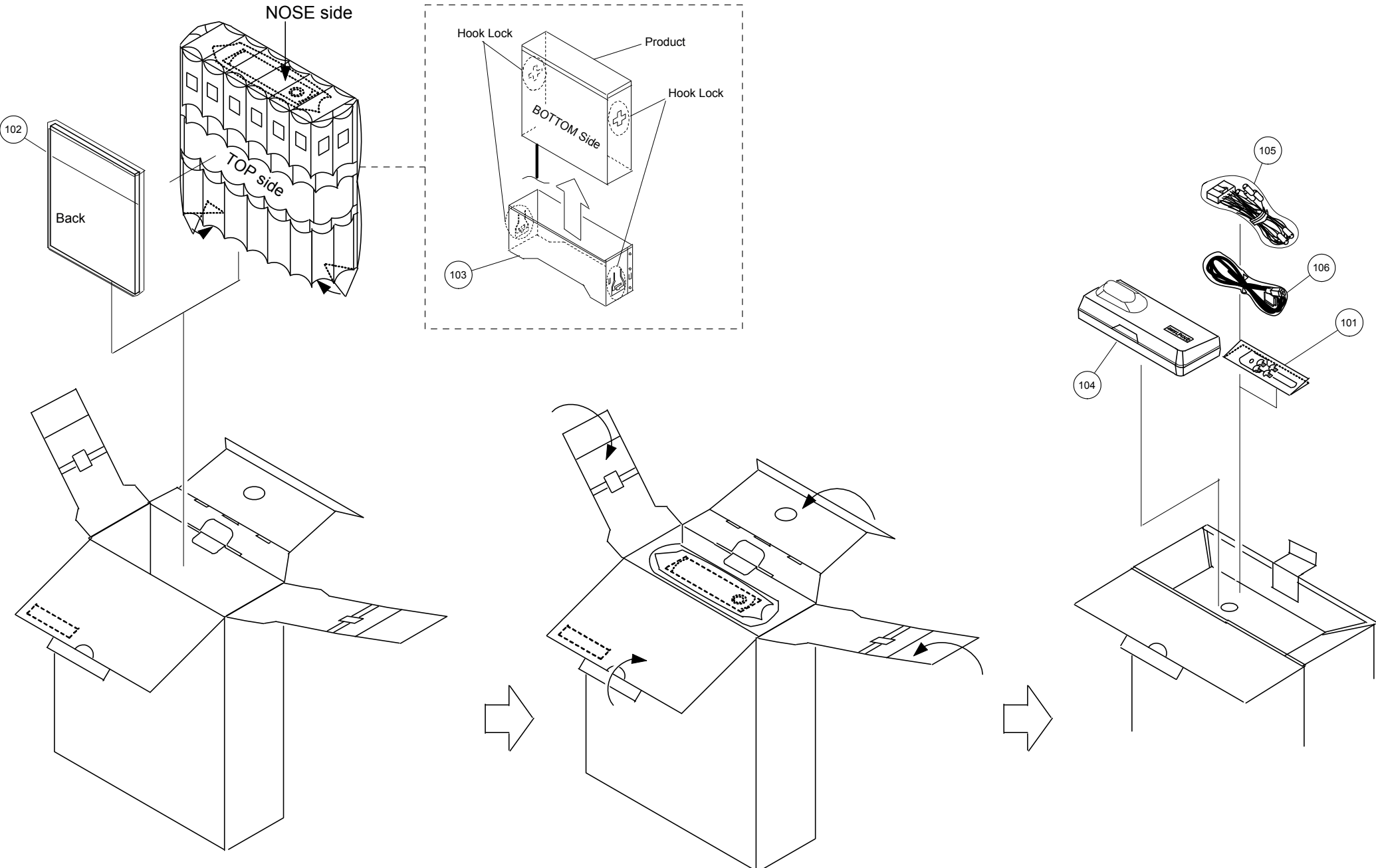


# Packing Method View

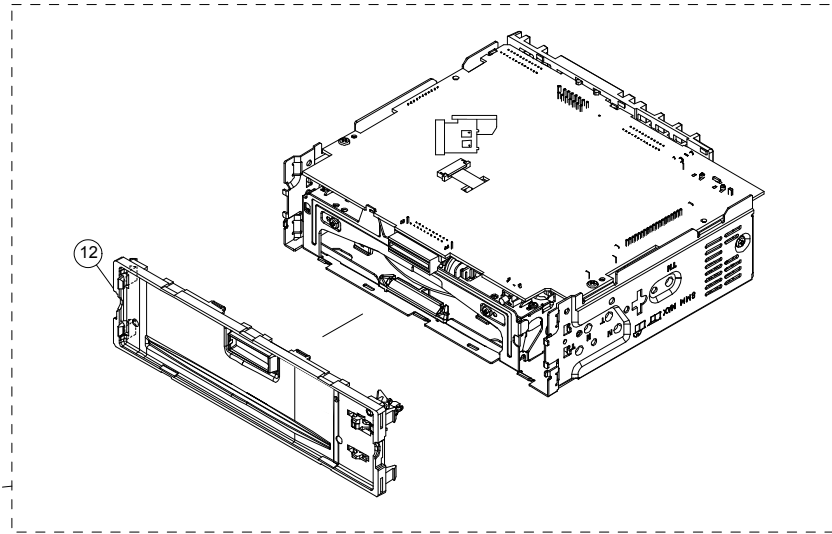
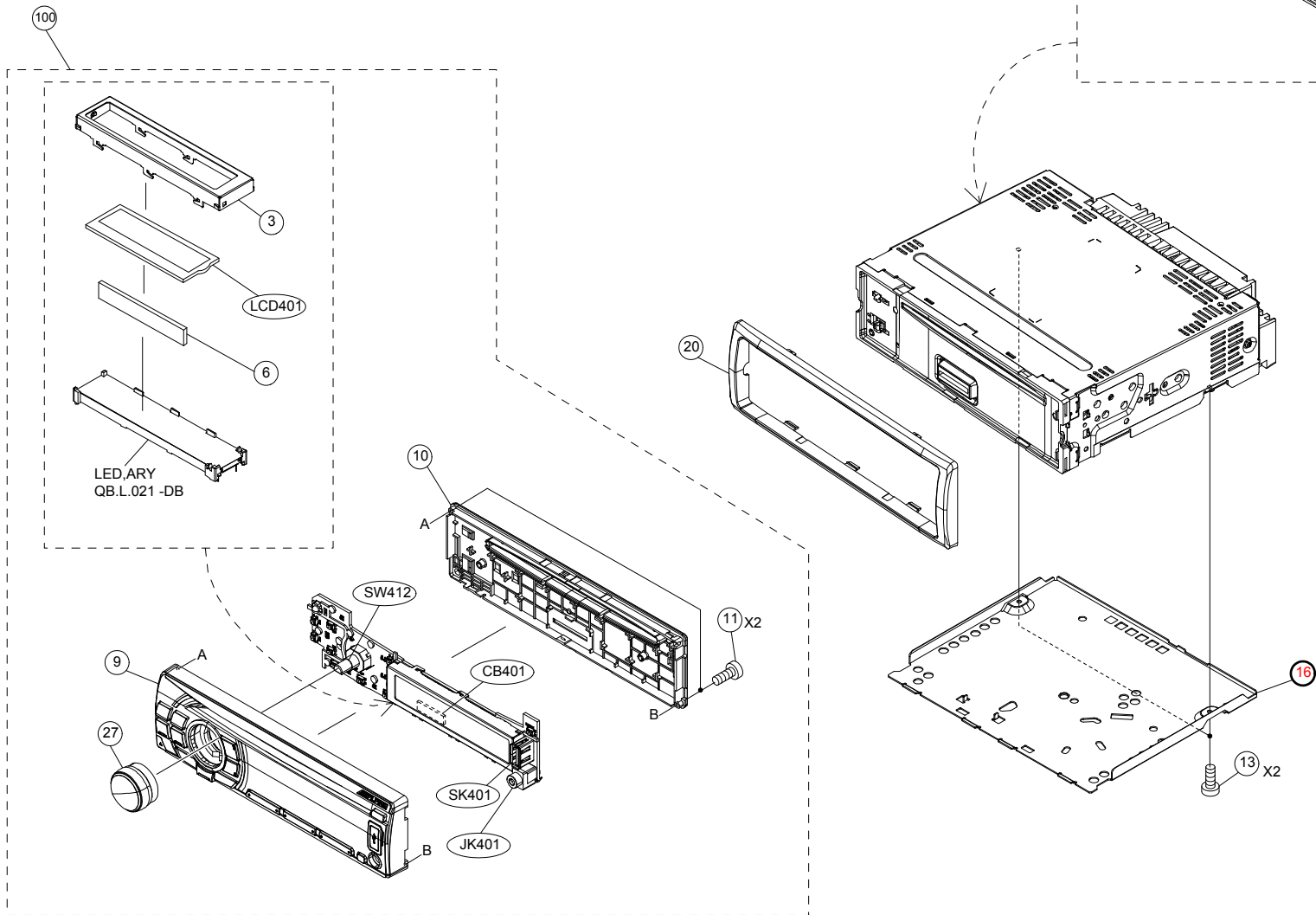


- 101-1 X4
- 101-2 X1
- 101-3 X2
- 103 X1
- 105 X1
- 106 X1

MODEL	Symbol No.	Parts No.	Description
	<a href="#">101-1</a>	03S60820Y16	SCR,MCH 5X8 ZN A
	<a href="#">101-2</a>	03S60824Y01	SCR,WEV 1.7X4 ZN A
	<a href="#">101-3</a>	07-01964Z01	BKT,RELEASE
	<a href="#">102</a>	68-16909Z79	OM AOAM DDA
	<a href="#">103</a>	15-01970Z01	CASE,INNER
	<a href="#">104</a>	15D01798K04	CARRYING,CASE
	<a href="#">105</a>	09-17244Z01	ASSY,ANIC-0050-01A
	<a href="#">106</a>	09-18625Z02	ASSY,ANID-0137-02A

NOTE:The part that has not PART NUMBER will not be supplied.

# Exploded View (Cabinet) (1/2)



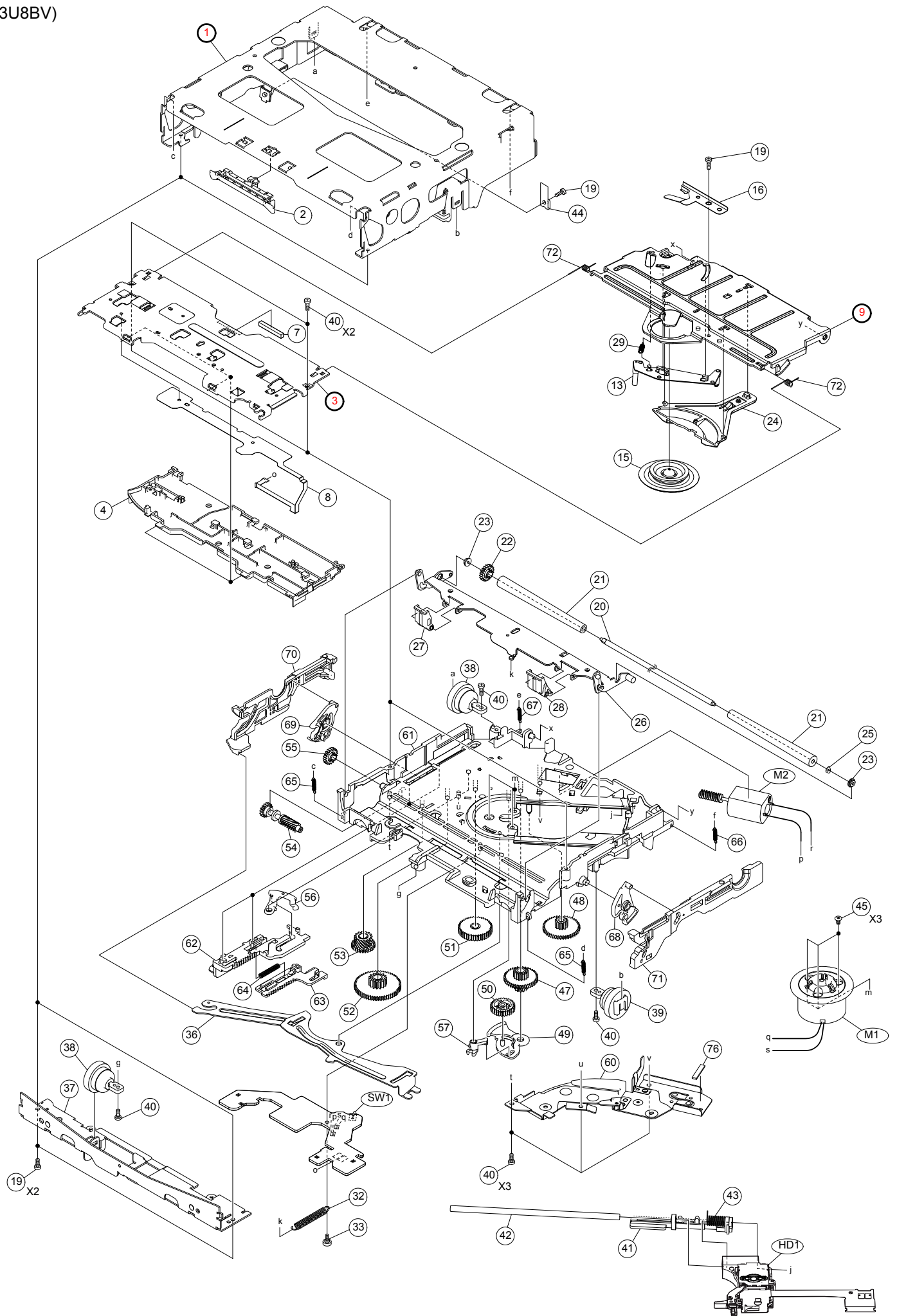


MODEL	Symbol No.	Parts No.	Description
	<a href="#">3</a>	15-13735Z01	COVER,LCD
	<a href="#">6</a>	75-19719Z01	RUBBER,GSS
	<a href="#">7</a>	-----	BKT,CHAS REAR
	<a href="#">8</a>	03S60825Y04	SCR,B-T 3X8 ZN A
	<a href="#">9</a>	EN-16822Z15	NOSE,PIECE ASSY
	<a href="#">10</a>	13-13733Z01	NOSE,BOTTOM
	<a href="#">11</a>	03-02876Z28	SCR,WEV 1.7X7 ZB A
	<a href="#">12</a>	EN-13741Z01	NOSE,BASE ASSY
	<a href="#">13</a>	03S60822Y13	SCR,S-T 2.6X6 ZN A
	<a href="#">15</a>	-----	CHAS,BASE ASSY
	<a href="#">16</a>	-----	COVER,BOTTOM
	<a href="#">17</a>	-----	HEAT,SINK
	<a href="#">20</a>	33C04102K07	FACE,PLATE
	<a href="#">22</a>	84-09445Z01	FPC,11PIN MECH
	<a href="#">23</a>	DP-12685Z01	DP33U8BV
	<a href="#">27</a>	36-10933Z01	KNOB,ROTARY ASSY
	<a href="#">28</a>	14-14558Z01	INS,COVER MECH
	<a href="#">29</a>	75-06068Z64	CUS,RUB 14X4XT1.2
	<a href="#">100</a>	SU-20244Z01	SERVICE_NOSE_121
	<a href="#">ANT101</a>	09T01876K01	ANT,RECEPTACLE
	<a href="#">CB401</a>	09-18716Z01	BTB,DF20-P -EJ
	<a href="#">CH501</a>	09-18738Z01	BTB,DF20-S -DB
	<a href="#">JK301</a>	09-11354Z01	RCA,YKC21-4818N -DB
	<a href="#">JK401</a>	09-18872Z01	JAC,1850383000322-DB
	<a href="#">LCD401</a>	65-13828Z01	LCD, TD0568M0TTN-F
	<a href="#">SK401</a>	09-19382Z01	SKT,CM-V105 -DB
	<a href="#">SW412</a>	40-10735Z02	ENC,EC12D1524405 -DB
	<a href="#">VT301</a>	24-02502Z02	ASSY,W277A001 -DB

NOTE:The part that has not PART NUMBER will not be supplied.

# Exploded View (CD Deck Mechanism)

(DP33U8BV)




MODEL	Symbol No.	Parts No.	Description
	<a href="#">1</a>	-----	CHAS,BASE DP-U
	<a href="#">2</a>	15-08614Z01	GUIDE, TOP 2 DP-U
	<a href="#">3</a>	-----	CHAS, TOP 8LS
	<a href="#">4</a>	15-10062Z05	GUIDE, TOP 8LS
	<a href="#">7</a>	14-06145Z26	INS, CVR 12X2.7XT2
	<a href="#">8</a>	84-14334Z01	FPC, PHOTO VE
	<a href="#">9</a>	-----	ARM, CLAPM 8LS
	<a href="#">13</a>	45-10065Z04	LEVER, ACTUATOR 8LS
	<a href="#">15</a>	43-17679Z02	TABLE, CLAMPER 2
	<a href="#">16</a>	41-14419Z01	SPG, CLAMPER VE-2
	<a href="#">19</a>	03S60822Y43	SCR, S-T 2X3 ZN A
	<a href="#">20</a>	47-04894Z03	SHAFT, ROLLER DP-U
	<a href="#">21</a>	49-07008Z02	ROLLER, DP-U
	<a href="#">22</a>	44-08626Z01	GEAR, ROLLER
	<a href="#">23</a>	43-08617Z01	BUSH, ROLLER DP-U
	<a href="#">24</a>	15-10063Z04	GUARD, DISC
	<a href="#">25</a>	04S40075G88	WAS, LOC 1.7X4.5X0.25
	<a href="#">26</a>	45-10061Z04	ARM, DISC GUIDE 8LS
	<a href="#">27</a>	45-08642Z01	ARM, FENCE L
	<a href="#">28</a>	45-08643Z01	ARM, FENCE R
	<a href="#">29</a>	41-05867Z14	SPRING, ACTUATOR-2
	<a href="#">32</a>	41-05867Z11	SPRING, ROLLER AOTA 2
	<a href="#">33</a>	03-10564Z02	SCR, SPG. ROLLER AOTA2
	<a href="#">36</a>	45-12698Z01	LEVER, LINK DRIVE 2
	<a href="#">37</a>	07-04867Z02	BKT, DAMPER
	<a href="#">38</a>	75-13914Z01	DAMPER, DP-U VE Z01
	<a href="#">39</a>	75-13914Z02	DAMPER, DP-U VE Z02
	<a href="#">40</a>	03S70693Y06	SCR, P-T 2X6 ZB A
	<a href="#">41</a>	44-08628Z01	RACK, SLED
	<a href="#">42</a>	47-04895Z01	SHAFT, PICK DP-U
	<a href="#">43</a>	41-05866Z02	SPRING, SLED
	<a href="#">44</a>	41-09325Z01	SPRING, RATTLE L
	<a href="#">45</a>	03S60820Y72	SCR, MCH 1.7X3 ZN A
	<a href="#">47</a>	44-08618Z01	GEAR, A
	<a href="#">48</a>	44-08619Z01	GEAR, B
	<a href="#">49</a>	45-08631Z01	LEVER, TIMING GEAR
	<a href="#">50</a>	44-08620Z01	GEAR, C
	<a href="#">51</a>	44-08621Z01	GEAR, D
	<a href="#">52</a>	44-08622Z04	GEAR, E
	<a href="#">53</a>	44-08623Z04	GEAR, F
	<a href="#">54</a>	44-08624Z03	GEAR, G
	<a href="#">55</a>	44-09654Z01	GEAR, H-2
	<a href="#">56</a>	45-08632Z01	LEVER, LOCK DP-U
	<a href="#">57</a>	45-08630Z01	LEVER, TIMING PICK
	<a href="#">60</a>	07-05523Z02	ASSY, RIV COVER MTR
	<a href="#">61</a>	27-14801Z01	CHAS, PICK 8LS 2

NOTE: The part that has not PART NUMBER will not be supplied.

MODEL	Symbol No.	Parts No.	Description
	<a href="#">62</a>	45-15742Z01	SLIDER,LOAD 2
	<a href="#">63</a>	45-15743Z01	SLIDER,TIMING LOAD 2
	<a href="#">64</a>	41-05874Z02	SPRING,TIMING
	<a href="#">65</a>	41-05867Z02	SPRING,DRIVE F
	<a href="#">66</a>	41-05867Z13	SPRING,DRIVE RR-2
	<a href="#">67</a>	41-05867Z04	SPRING,DRIVE RL
	<a href="#">68</a>	45-08639Z04	ARM,LOCK R DP-U
	<a href="#">69</a>	45-15741Z01	ARM,LOCK L 2
	<a href="#">70</a>	45-10066Z04	SLIDER,LOCK L 8LS
	<a href="#">71</a>	45-10067Z04	SLIDER,LOCK R 8LS
	<a href="#">72</a>	41-05871Z02	SPRING,ARM CLAMP
	<a href="#">76</a>	14-06145Z92	INS,CVR 12X3XT1
	<a href="#">HD1</a>	EP-12502Z06	EP21A96NP
	<a href="#">M1</a>	66-19682Z67	ASSY,SPDL MTR2
	<a href="#">M2</a>	66-13908Z44	ASSY,LD-SLED MTR AOTA 8BV
	<a href="#">SW1</a>	40T15494Y16	SW,DETCT SPVG1103

NOTE:The part that has not PART NUMBER will not be supplied.

P.W.Board	MIS	MODEL	Ref.	Parts No.	Parts Name
MAIN-P.W.Board			<a href="#">ANT101</a>	09T01876K01	ANT,RECEPTACLE
MAIN-P.W.Board			<a href="#">C186</a>	08S82122F17	CAP,CER.15RJ-CH1H-CP
MAIN-P.W.Board			<a href="#">C187</a>	08S45677W60	CAP,CER 102J-CH1H-CP
MAIN-P.W.Board			<a href="#">C188</a>	08S45231Y19	CAP,CER 33RJ-CH1H-CP
MAIN-P.W.Board			<a href="#">C189</a>	08-17773Z01	CAP,CER 2R2B-CH1H-CP
MAIN-P.W.Board			<a href="#">C190</a>	08S45231Y14	CAP,CER 12RJ-CH1H-CP
MAIN-P.W.Board			<a href="#">C191</a>	08S45677W60	CAP,CER 102J-CH1H-CP
MAIN-P.W.Board			<a href="#">C192</a>	08S45676W93	CAP,CER 224K-B1A -CP
MAIN-P.W.Board			<a href="#">C193</a>	08S45677W60	CAP,CER 102J-CH1H-CP
MAIN-P.W.Board			<a href="#">C194</a>	08S65674Y08	CAP,CER 105KX5R1E-CP
MAIN-P.W.Board			<a href="#">C195</a>	08S45676W93	CAP,CER 224K-B1A -CP
MAIN-P.W.Board			<a href="#">C196</a>	08S65668Y04	CAP,CER 104KX5R1A-CP
MAIN-P.W.Board			<a href="#">C197</a>	08S45231Y13	CAP,CER 10RD-CH1H-CP
MAIN-P.W.Board			<a href="#">C198</a>	08S45232Y11	CAP,CER 103K-B1C -CP
MAIN-P.W.Board			<a href="#">C199</a>	08S45232Y11	CAP,CER 103K-B1C -CP
MAIN-P.W.Board			<a href="#">C200</a>	08S65674Y08	CAP,CER 105KX5R1E-CP
MAIN-P.W.Board			<a href="#">C201</a>	08S45232Y11	CAP,CER 103K-B1C -CP
MAIN-P.W.Board			<a href="#">C202</a>	08S65668Y04	CAP,CER 104KX5R1A-CP
MAIN-P.W.Board			<a href="#">C203</a>	08S45232Y11	CAP,CER 103K-B1C -CP
MAIN-P.W.Board			<a href="#">C204</a>	08S65668Y04	CAP,CER 104KX5R1A-CP
MAIN-P.W.Board			<a href="#">C205</a>	08S65674Y08	CAP,CER 105KX5R1E-CP
MAIN-P.W.Board			<a href="#">C206</a>	08S65668Y04	CAP,CER 104KX5R1A-CP
MAIN-P.W.Board			<a href="#">C208</a>	08S65667Y01	CAP,CER 224KX5R1C-CP
MAIN-P.W.Board			<a href="#">C302</a>	08S65669Y03	CAP,CER 224KX7R1H-CP
MAIN-P.W.Board			<a href="#">C303</a>	08S65669Y03	CAP,CER 224KX7R1H-CP
MAIN-P.W.Board			<a href="#">C304</a>	08S65669Y03	CAP,CER 224KX7R1H-CP
MAIN-P.W.Board			<a href="#">C305</a>	08S65669Y03	CAP,CER 224KX7R1H-CP
MAIN-P.W.Board			<a href="#">C306</a>	08S35350Y04	CAP,CER 105K-B1C -CP
MAIN-P.W.Board			<a href="#">C309</a>	08S35350Y04	CAP,CER 105K-B1C -CP
MAIN-P.W.Board			<a href="#">C310</a>	08S45676W83	CAP,CER 473K-B1C -CP
MAIN-P.W.Board			<a href="#">C312</a>	08S65669Y03	CAP,CER 224KX7R1H-CP
MAIN-P.W.Board			<a href="#">C315</a>	08S35350Y04	CAP,CER 105K-B1C -CP
MAIN-P.W.Board			<a href="#">C316</a>	08S35350Y04	CAP,CER 105K-B1C -CP
MAIN-P.W.Board			<a href="#">C317</a>	08S35350Y04	CAP,CER 105K-B1C -CP
MAIN-P.W.Board			<a href="#">C318</a>	08S35350Y04	CAP,CER 105K-B1C -CP
MAIN-P.W.Board			<a href="#">C319</a>	08S35350Y04	CAP,CER 105K-B1C -CP
MAIN-P.W.Board			<a href="#">C320</a>	08S35350Y04	CAP,CER 105K-B1C -CP
MAIN-P.W.Board			<a href="#">C321</a>	08S35350Y04	CAP,CER 105K-B1C -CP
MAIN-P.W.Board			<a href="#">C327</a>	08S65669Y03	CAP,CER 224KX7R1H-CP
MAIN-P.W.Board			<a href="#">C501</a>	08S45676W65	CAP,CER.222K-B1H -CP
MAIN-P.W.Board			<a href="#">C502</a>	08S65667Y01	CAP,CER 224KX5R1C-CP
MAIN-P.W.Board			<a href="#">C503</a>	08S65667Y01	CAP,CER 224KX5R1C-CP
MAIN-P.W.Board			<a href="#">C504</a>	08S65667Y01	CAP,CER 224KX5R1C-CP
MAIN-P.W.Board			<a href="#">C505</a>	08S65667Y01	CAP,CER 224KX5R1C-CP
MAIN-P.W.Board			<a href="#">C506</a>	08S65667Y01	CAP,CER 224KX5R1C-CP
MAIN-P.W.Board			<a href="#">C507</a>	08S65667Y01	CAP,CER 224KX5R1C-CP


NOTE:The part that has not PART NUMBER will not be supplied.

P.W.Board	MIS	MODEL	Ref.	Parts No.	Parts Name
MAIN-P.W.Board			<a href="#">C508</a>	08S65667Y01	CAP,CER 224KX5R1C-CP
MAIN-P.W.Board			<a href="#">C509</a>	08S45231Y17	CAP,CER 22RJ-CH1H-CP
MAIN-P.W.Board			<a href="#">C510</a>	08S45231Y17	CAP,CER 22RJ-CH1H-CP
MAIN-P.W.Board			<a href="#">C511</a>	08S45677W14	CAP,CER.12RJ-CH1H-CP
MAIN-P.W.Board			<a href="#">C512</a>	08S45677W16	CAP,CER.15RJ-CH1H-CP
MAIN-P.W.Board			<a href="#">C516</a>	08S45232Y11	CAP,CER 103K-B1C -CP
MAIN-P.W.Board			<a href="#">C517</a>	08S45232Y11	CAP,CER 103K-B1C -CP
MAIN-P.W.Board			<a href="#">C702</a>	08S45232Y17	CAP,CER 104K-B0J -CP
MAIN-P.W.Board			<a href="#">C703</a>	08S45232Y05	CAP,CER 102K-B1H -CP
MAIN-P.W.Board			<a href="#">C704</a>	08S65668Y05	CAP,CER 224KX5R1A-CP
MAIN-P.W.Board			<a href="#">C705</a>	08S45232Y17	CAP,CER 104K-B0J -CP
MAIN-P.W.Board			<a href="#">C707</a>	08S35349Y17	CAP,CER 225K-B0J -CP
MAIN-P.W.Board			<a href="#">C708</a>	08S45231Y17	CAP,CER 22RJ-CH1H-CP
MAIN-P.W.Board			<a href="#">C709</a>	08S45231Y16	CAP,CER 18RJ-CH1H-CP
MAIN-P.W.Board			<a href="#">C710</a>	08S45232Y17	CAP,CER 104K-B0J -CP
MAIN-P.W.Board			<a href="#">C711</a>	08S45232Y17	CAP,CER 104K-B0J -CP
MAIN-P.W.Board			<a href="#">C712</a>	08S45231Y18	CAP,CER 27RJ-CH1H-CP
MAIN-P.W.Board			<a href="#">C713</a>	08S45231Y18	CAP,CER 27RJ-CH1H-CP
MAIN-P.W.Board			<a href="#">C716</a>	08S45231Y25	CAP,CER 101J-CH1H-CP
MAIN-P.W.Board			<a href="#">C717</a>	08S45676W80	CAP,CER 223K-B1E -CP
MAIN-P.W.Board			<a href="#">C718</a>	08S65667Y01	CAP,CER 224KX5R1C-CP
MAIN-P.W.Board			<a href="#">C719</a>	08S45232Y17	CAP,CER 104K-B0J -CP
MAIN-P.W.Board			<a href="#">C720</a>	08S45231Y25	CAP,CER 101J-CH1H-CP
MAIN-P.W.Board			<a href="#">C721</a>	08S45231Y25	CAP,CER 101J-CH1H-CP
MAIN-P.W.Board			<a href="#">C722</a>	08S45231Y25	CAP,CER 101J-CH1H-CP
MAIN-P.W.Board			<a href="#">C723</a>	08S35349Y17	CAP,CER 225K-B0J -CP
MAIN-P.W.Board			<a href="#">C724</a>	08S45231Y15	CAP,CER 15RJ-CH1H-CP
MAIN-P.W.Board			<a href="#">C725</a>	08S45232Y17	CAP,CER 104K-B0J -CP
MAIN-P.W.Board			<a href="#">C726</a>	08S45232Y08	CAP,CER 332K-B1H -CP
MAIN-P.W.Board			<a href="#">C727</a>	08S45676W69	CAP,CER.472K-B1H -CP
MAIN-P.W.Board			<a href="#">C728</a>	08S45232Y12	CAP,CER 153K-B1C -CP
MAIN-P.W.Board			<a href="#">C729</a>	08S45232Y17	CAP,CER 104K-B0J -CP
MAIN-P.W.Board			<a href="#">C731</a>	08S45232Y17	CAP,CER 104K-B0J -CP
MAIN-P.W.Board			<a href="#">C732</a>	08S45232Y17	CAP,CER 104K-B0J -CP
MAIN-P.W.Board			<a href="#">C733</a>	08S45232Y17	CAP,CER 104K-B0J -CP
MAIN-P.W.Board			<a href="#">C734</a>	08S45232Y14	CAP,CER 333K-B1C -CP
MAIN-P.W.Board			<a href="#">C736</a>	08S45232Y14	CAP,CER 333K-B1C -CP
MAIN-P.W.Board			<a href="#">C737</a>	08S45232Y08	CAP,CER 332K-B1H -CP
MAIN-P.W.Board			<a href="#">C738</a>	08S45676W73	CAP,CER.103K-B1H -CP
MAIN-P.W.Board			<a href="#">C739</a>	08S45232Y14	CAP,CER 333K-B1C -CP
MAIN-P.W.Board			<a href="#">C740</a>	08S45232Y11	CAP,CER 103K-B1C -CP
MAIN-P.W.Board			<a href="#">C741</a>	08S45232Y17	CAP,CER 104K-B0J -CP
MAIN-P.W.Board			<a href="#">C742</a>	08S45231Y21	CAP,CER 47RJ-CH1H-CP
MAIN-P.W.Board			<a href="#">C743</a>	08S45232Y12	CAP,CER 153K-B1C -CP
MAIN-P.W.Board			<a href="#">C744</a>	08S45232Y07	CAP,CER 222K-B1H -CP
MAIN-P.W.Board			<a href="#">C745</a>	08S45232Y17	CAP,CER 104K-B0J -CP


NOTE:The part that has not PART NUMBER will not be supplied.

P.W.Board	MIS	MODEL	Ref.	Parts No.	Parts Name
MAIN-P.W.Board			<a href="#">C746</a>	08S45232Y17	CAP,CER 104K-B0J -CP
MAIN-P.W.Board			<a href="#">C749</a>	08S45232Y06	CAP,CER 152K-B1H -CP
MAIN-P.W.Board			<a href="#">C750</a>	08S45232Y06	CAP,CER 152K-B1H -CP
MAIN-P.W.Board			<a href="#">C751</a>	08S45232Y14	CAP,CER 333K-B1C -CP
MAIN-P.W.Board			<a href="#">C752</a>	08S45232Y05	CAP,CER 102K-B1H -CP
MAIN-P.W.Board			<a href="#">C753</a>	08S35374W12	CAP,CER 106K-B0J -CP
MAIN-P.W.Board			<a href="#">C754</a>	08S45232Y14	CAP,CER 333K-B1C -CP
MAIN-P.W.Board			<a href="#">C755</a>	08S45232Y08	CAP,CER 332K-B1H -CP
MAIN-P.W.Board			<a href="#">C756</a>	08S35374W12	CAP,CER 106K-B0J -CP
MAIN-P.W.Board			<a href="#">C757</a>	08S45231Y14	CAP,CER 12RJ-CH1H-CP
MAIN-P.W.Board			<a href="#">C758</a>	08S45232Y17	CAP,CER 104K-B0J -CP
MAIN-P.W.Board			<a href="#">C759</a>	08S45232Y17	CAP,CER 104K-B0J -CP
MAIN-P.W.Board			<a href="#">C762</a>	08S45232Y06	CAP,CER 152K-B1H -CP
MAIN-P.W.Board			<a href="#">C763</a>	08S35374W12	CAP,CER 106K-B0J -CP
MAIN-P.W.Board			<a href="#">C764</a>	08S45231Y38	CAP,CER 102J-CH1E-CP
MAIN-P.W.Board			<a href="#">C765</a>	08S65669Y03	CAP,CER 224KX7R1H-CP
MAIN-P.W.Board			<a href="#">C766</a>	08S45231Y28	CAP,CER 181J-CH1H-CP
MAIN-P.W.Board			<a href="#">C767</a>	08S45676W70	CAP,CER 562K-B1H -CP
MAIN-P.W.Board			<a href="#">C768</a>	08S45676W75	CAP,CER.153K-B1H -CP
MAIN-P.W.Board			<a href="#">C769</a>	08S45676W66	CAP,CER.272K-B1H -CP
MAIN-P.W.Board			<a href="#">C770</a>	08S65669Y03	CAP,CER 224KX7R1H-CP
MAIN-P.W.Board			<a href="#">C771</a>	08S65669Y03	CAP,CER 224KX7R1H-CP
MAIN-P.W.Board			<a href="#">C772</a>	08S45676W93	CAP,CER 224K-B1A -CP
MAIN-P.W.Board			<a href="#">C774</a>	08S35349Y15	CAP,CER 474K-B1A -CP
MAIN-P.W.Board			<a href="#">C775</a>	08S45232Y05	CAP,CER 102K-B1H -CP
MAIN-P.W.Board			<a href="#">C776</a>	08S35349Y15	CAP,CER 474K-B1A -CP
MAIN-P.W.Board			<a href="#">C777</a>	08S45232Y08	CAP,CER 332K-B1H -CP
MAIN-P.W.Board			<a href="#">C778</a>	08S45232Y13	CAP,CER 223K-B1C -CP
MAIN-P.W.Board			<a href="#">C780</a>	08S45676W85	CAP,CER 104K-B1C -CP
MAIN-P.W.Board			<a href="#">C781</a>	08S65669Y03	CAP,CER 224KX7R1H-CP
MAIN-P.W.Board			<a href="#">C782</a>	08S65669Y03	CAP,CER 224KX7R1H-CP
MAIN-P.W.Board			<a href="#">C784</a>	08S65667Y01	CAP,CER 224KX5R1C-CP
MAIN-P.W.Board			<a href="#">C785</a>	08S45676W93	CAP,CER 224K-B1A -CP
MAIN-P.W.Board			<a href="#">C786</a>	08S45232Y11	CAP,CER 103K-B1C -CP
MAIN-P.W.Board			<a href="#">C787</a>	08S65669Y03	CAP,CER 224KX7R1H-CP
MAIN-P.W.Board			<a href="#">C801</a>	08S65128F88	CAP,CER 104K-B1H -CP
MAIN-P.W.Board			<a href="#">C802</a>	08S45676W85	CAP,CER 104K-B1C -CP
MAIN-P.W.Board			<a href="#">C803</a>	08S65669Y03	CAP,CER 224KX7R1H-CP
MAIN-P.W.Board			<a href="#">C804</a>	08S65669Y03	CAP,CER 224KX7R1H-CP
MAIN-P.W.Board			<a href="#">C805</a>	08S65669Y03	CAP,CER 224KX7R1H-CP
MAIN-P.W.Board			<a href="#">C806</a>	08S65669Y03	CAP,CER 224KX7R1H-CP
MAIN-P.W.Board			<a href="#">C807</a>	08S65669Y03	CAP,CER 224KX7R1H-CP
MAIN-P.W.Board			<a href="#">C808</a>	08S65669Y03	CAP,CER 224KX7R1H-CP
MAIN-P.W.Board			<a href="#">C809</a>	08S65669Y03	CAP,CER 224KX7R1H-CP
MAIN-P.W.Board			<a href="#">C810</a>	08S65669Y03	CAP,CER 224KX7R1H-CP
MAIN-P.W.Board			<a href="#">C811</a>	08S65669Y03	CAP,CER 224KX7R1H-CP

NOTE:The part that has not PART NUMBER will not be supplied.

P.W.Board	MIS	MODEL	Ref.	Parts No.	Parts Name
MAIN-P.W.Board			<a href="#">C812</a>	08S65669Y03	CAP,CER 224KX7R1H-CP
MAIN-P.W.Board			<a href="#">C813</a>	08S65669Y03	CAP,CER 224KX7R1H-CP
MAIN-P.W.Board			<a href="#">C814</a>	08S65669Y03	CAP,CER 224KX7R1H-CP
MAIN-P.W.Board			<a href="#">C815</a>	08S65669Y03	CAP,CER 224KX7R1H-CP
MAIN-P.W.Board			<a href="#">C816</a>	08S45676W73	CAP,CER.103K-B1H -CP
MAIN-P.W.Board			<a href="#">C817</a>	08S45676W89	CAP,CER 473K-B1E -CP
MAIN-P.W.Board			<a href="#">C818</a>	08S65669Y03	CAP,CER 224KX7R1H-CP
MAIN-P.W.Board			<a href="#">C819</a>	08S65669Y03	CAP,CER 224KX7R1H-CP
MAIN-P.W.Board			<a href="#">C821</a>	08S65669Y03	CAP,CER 224KX7R1H-CP
MAIN-P.W.Board			<a href="#">C822</a>	08S45676W85	CAP,CER 104K-B1C -CP
MAIN-P.W.Board			<a href="#">C823</a>	08S65669Y03	CAP,CER 224KX7R1H-CP
MAIN-P.W.Board			<a href="#">CB701</a>	09T55174Y11	FFC,IMSA9616S-11Y-ED
MAIN-P.W.Board			<a href="#">CB702</a>	09-09312Z02	FFC,IMSA9663S-15Y-EQ
MAIN-P.W.Board			<a href="#">CH501</a>	09-18738Z01	BTB,DF20-S -DB
MAIN-P.W.Board			<a href="#">D101</a>	48-12230Z01	DIO,KDS226-RTK -CP
MAIN-P.W.Board			<a href="#">D302</a>	48-07015Z01	DIO,KDS160-RTK -CP
MAIN-P.W.Board			<a href="#">D304</a>	48T75446Y01	DIO,RR264M-400 -CP
MAIN-P.W.Board			<a href="#">D503</a>	48-12230Z01	DIO,KDS226-RTK -CP
MAIN-P.W.Board			<a href="#">D801</a>	48T75527Y01	DIO,1SR154-400 -E1
MAIN-P.W.Board			<a href="#">D802</a>	48-05164Z01	DIO,1SS352-TPH3 -CP
MAIN-P.W.Board			<a href="#">D803</a>	48T75527Y01	DIO,1SR154-400 -E1
MAIN-P.W.Board			<a href="#">D804</a>	48T75527Y01	DIO,1SR154-400 -E1
MAIN-P.W.Board			<a href="#">E101</a>	23S65134W34	CAP,ELY 47R-1C(6)-E6
MAIN-P.W.Board			<a href="#">E103</a>	23S65134W81	CAP,ELY 22R-1C(4)-E2
MAIN-P.W.Board			<a href="#">E301</a>	23S65134W53	CAP,ELY 4R7-1V(4)-E2
MAIN-P.W.Board			<a href="#">E302</a>	23S65134W53	CAP,ELY 4R7-1V(4)-E2
MAIN-P.W.Board			<a href="#">E303</a>	23S65134W53	CAP,ELY 4R7-1V(4)-E2
MAIN-P.W.Board			<a href="#">E304</a>	23S65134W53	CAP,ELY 4R7-1V(4)-E2
MAIN-P.W.Board			<a href="#">E305</a>	23S65134W32	CAP,ELY 22R-1C(5)-E3
MAIN-P.W.Board			<a href="#">E306</a>	23S65134W53	CAP,ELY 4R7-1V(4)-E2
MAIN-P.W.Board			<a href="#">E307</a>	23S65134W34	CAP,ELY 47R-1C(6)-E6
MAIN-P.W.Board			<a href="#">E310</a>	23S65134W32	CAP,ELY 22R-1C(5)-E3
MAIN-P.W.Board			<a href="#">E311</a>	23S65134W32	CAP,ELY 22R-1C(5)-E3
MAIN-P.W.Board			<a href="#">E312</a>	23T75325Y01	CAP,VB 332-1C +
MAIN-P.W.Board			<a href="#">E313</a>	23S65134W52	CAP,ELY 3R3-1V(3)-E2
MAIN-P.W.Board			<a href="#">E314</a>	23S65134W52	CAP,ELY 3R3-1V(3)-E2
MAIN-P.W.Board			<a href="#">E315</a>	23S65134W51	CAP,ELY 2R2-1V(3)-E2
MAIN-P.W.Board			<a href="#">E316</a>	23S65134W51	CAP,ELY 2R2-1V(3)-E2
MAIN-P.W.Board			<a href="#">E501</a>	23S65134W23	CAP,ELY 101-1A(6)-E6
MAIN-P.W.Board			<a href="#">E702</a>	23S65134W47	CAP,ELY 101-1E(8)-E6
MAIN-P.W.Board			<a href="#">E704</a>	23S65134W35	CAP,ELY 101-1C(8)-E6
MAIN-P.W.Board			<a href="#">E705</a>	23T65679Y11	CAP,CD 47R-0J -E2
MAIN-P.W.Board			<a href="#">E706</a>	23S65134W24	CAP,ELY 221-1A(8)-E6
MAIN-P.W.Board			<a href="#">E708</a>	23S65134W35	CAP,ELY 101-1C(8)-E6
MAIN-P.W.Board			<a href="#">E709</a>	23S65134W35	CAP,ELY 101-1C(8)-E6
MAIN-P.W.Board			<a href="#">E802</a>	23S65134W24	CAP,ELY 221-1A(8)-E6

NOTE:The part that has not PART NUMBER will not be supplied.

P.W.Board	MIS	MODEL	Ref.	Parts No.	Parts Name
MAIN-P.W.Board			<a href="#">E803</a>	23S65134W34	CAP,ELY 47R-1C(6)-E6
MAIN-P.W.Board			<a href="#">E804</a>	23S65134W34	CAP,ELY 47R-1C(6)-E6
MAIN-P.W.Board			<a href="#">E805</a>	23S65134W35	CAP,ELY 101-1C(8)-E6
MAIN-P.W.Board			<a href="#">E806</a>	23S65134W54	CAP,ELY 10R-1V(5)-E3
MAIN-P.W.Board			<a href="#">E807</a>	23S65134W24	CAP,ELY 221-1A(8)-E6
MAIN-P.W.Board			<a href="#">E809</a>	23S65134W23	CAP,ELY 101-1A(6)-E6
MAIN-P.W.Board			<a href="#">E810</a>	23S65134W47	CAP,ELY 101-1E(8)-E6
MAIN-P.W.Board			<a href="#">E811</a>	23S65134W47	CAP,ELY 101-1E(8)-E6
MAIN-P.W.Board			<a href="#">E812</a>	23S65134W44	CAP,ELY 22R-1E(6)-E6
MAIN-P.W.Board			<a href="#">E813</a>	23S65134W15	CAP,ELY 331-0J(8)-E6
MAIN-P.W.Board			<a href="#">E814</a>	23S65134W24	CAP,ELY 221-1A(8)-E6
MAIN-P.W.Board			<a href="#">E815</a>	23S65134W47	CAP,ELY 101-1E(8)-E6
MAIN-P.W.Board			<a href="#">E816</a>	23S65134W23	CAP,ELY 101-1A(6)-E6
MAIN-P.W.Board			<a href="#">IC101</a>	51-17583Z01	TEF6607T/V5 -SEE
MAIN-P.W.Board			<a href="#">IC102</a>	51-15224Z01	MFI341S2313 -SE2
MAIN-P.W.Board			<a href="#">IC301</a>	51-18346Z01	TB2986HQ -ZS
MAIN-P.W.Board			<a href="#">IC302</a>	51-17694Z01	BD3711FS-E2 -SE6
MAIN-P.W.Board			<a href="#">IC501</a>	83-18934Z44	V1.000MFAL110A_MP
MAIN-P.W.Board			<a href="#">IC502</a>	51T65778Y01	BR24L02F-W-E2 -SE2
MAIN-P.W.Board			<a href="#">IC701</a>	83-18934Z43	MFAJ106A_MFAL110A_Bolero_Soft
MAIN-P.W.Board			<a href="#">IC702</a>	51-16202Z01	TC94A92FG-301 -QT
MAIN-P.W.Board			<a href="#">IC703</a>	51-14737Z01	BD8226EFV-E2 -SE6
MAIN-P.W.Board			<a href="#">IC704</a>	51-11433Z01	RT9702AGB -CP
MAIN-P.W.Board			<a href="#">IC705</a>	51T15185Y02	TC7SH08FU,JF-L -CP
MAIN-P.W.Board			<a href="#">IC801</a>	51-13711Z01	TB2920HQ -ZS
MAIN-P.W.Board			<a href="#">IC802</a>	51-06963Z01	NJU7741F15-TE1 -CP
MAIN-P.W.Board			<a href="#">IC803</a>	51-04315Z22	BU4229G-TR -CP
MAIN-P.W.Board			<a href="#">IC804</a>	51-06963Z01	NJU7741F15-TE1 -CP
MAIN-P.W.Board			<a href="#">IC805</a>	51-02830Z01	BA7810HFP -NEA
MAIN-P.W.Board			<a href="#">IC806</a>	51-05862Z01	NJM2845DL1-33-TE1NE5
MAIN-P.W.Board			<a href="#">IC807</a>	51-05862Z01	NJM2845DL1-33-TE1NE5
MAIN-P.W.Board			<a href="#">JK301</a>	09-11354Z01	RCA,YKC21-4818N -DB
MAIN-P.W.Board			<a href="#">L101</a>	24T25164Y21	IND,FSLM2520 4R7J-CP
MAIN-P.W.Board			<a href="#">L103</a>	24T45482Y05	IND,LQH31HN R29J -CP
MAIN-P.W.Board			<a href="#">L104</a>	24T65110W16	IND,LK2125 1R0K -CP
MAIN-P.W.Board			<a href="#">L105</a>	24T65110W09	IND,LK2125 R27K -CP
MAIN-P.W.Board			<a href="#">L107</a>	24T65110W19	IND,LK2125 1R8K -CP
MAIN-P.W.Board			<a href="#">L108</a>	24T65645Y03	IND,LLM3225 561K -CP
MAIN-P.W.Board			<a href="#">L109</a>	24T65645Y03	IND,LLM3225 561K -CP
MAIN-P.W.Board			<a href="#">L110</a>	24-10967Z18	IND,LBM2016 3R3J -CP
MAIN-P.W.Board			<a href="#">Q302</a>	48-07989Z01	TR,UNR5211J-TX -CP
MAIN-P.W.Board			<a href="#">Q303</a>	48-07989Z02	TR,UNR5212J-TX -CP
MAIN-P.W.Board			<a href="#">Q304</a>	48-04929Z02	TR,KRC102S-RTK -CP
MAIN-P.W.Board			<a href="#">Q305</a>	48-07989Z02	TR,UNR5212J-TX -CP
MAIN-P.W.Board			<a href="#">Q306</a>	48T75180Y04	TR,IMH23-T110 -CP
MAIN-P.W.Board			<a href="#">Q308</a>	48T25737Y01	TR,UMD2N-TR -CP

NOTE:The part that has not PART NUMBER will not be supplied.

P.W.Board	MIS	MODEL	Ref.	Parts No.	Parts Name
MAIN-P.W.Board			<a href="#">Q309</a>	48-02302Z02	TR,XP0331200L -CP
MAIN-P.W.Board			<a href="#">Q703</a>	48T73022F01	TR ,2SB766A -E2
MAIN-P.W.Board			<a href="#">Q704</a>	48-07989Z11	TR,UNR521FJ-TX -CP
MAIN-P.W.Board			<a href="#">Q705</a>	48T55462Y01	TR,2SB1132-QR-100-E2
MAIN-P.W.Board			<a href="#">Q709</a>	48-04940Z17	TR,KRA118S-RTK -CP
MAIN-P.W.Board			<a href="#">Q710</a>	48-07989Z01	TR,UNR5211J-TX -CP
MAIN-P.W.Board			<a href="#">Q801</a>	48-12535Z02	TR,XP0111200-L -CP
MAIN-P.W.Board			<a href="#">Q802</a>	48-07989Z01	TR,UNR5211J-TX -CP
MAIN-P.W.Board			<a href="#">Q803</a>	48T15657Y01	TR,2SA1774-TL -CP
MAIN-P.W.Board			<a href="#">Q804</a>	48T25737Y01	TR,UMD2N-TR -CP
MAIN-P.W.Board			<a href="#">Q805</a>	48-07989Z01	TR,UNR5211J-TX -CP
MAIN-P.W.Board			<a href="#">Q806</a>	48T15657Y01	TR,2SA1774-TL -CP
MAIN-P.W.Board			<a href="#">R202</a>	06S15616Y23	RES,RK JUMPER1/16-CP
MAIN-P.W.Board			<a href="#">R274</a>	06S70072F05	RES,CP .10R-J-1/4-CP
MAIN-P.W.Board			<a href="#">R276</a>	06S15616Y14	RES,RK 474J 1/16 -CP
MAIN-P.W.Board			<a href="#">R277</a>	06S15616Y14	RES,RK 474J 1/16 -CP
MAIN-P.W.Board			<a href="#">R278</a>	06S15615Y25	RES,RK 101J 1/16 -CP
MAIN-P.W.Board			<a href="#">R279</a>	06S15615Y65	RES,RK 472J 1/16 -CP
MAIN-P.W.Board			<a href="#">R280</a>	06S70072F13	RES,CP .22R-J-1/4-CP
MAIN-P.W.Board			<a href="#">R281</a>	06S15615Y25	RES,RK 101J 1/16 -CP
MAIN-P.W.Board			<a href="#">R284</a>	06S15615Y25	RES,RK 101J 1/16 -CP
MAIN-P.W.Board			<a href="#">R285</a>	06S15616Y23	RES,RK JUMPER1/16-CP
MAIN-P.W.Board			<a href="#">R286</a>	06S15615Y73	RES,RK 103J 1/16 -CP
MAIN-P.W.Board			<a href="#">R301</a>	06S15615Y25	RES,RK 101J 1/16 -CP
MAIN-P.W.Board			<a href="#">R302</a>	06S15615Y25	RES,RK 101J 1/16 -CP
MAIN-P.W.Board			<a href="#">R303</a>	06S15615Y25	RES,RK 101J 1/16 -CP
MAIN-P.W.Board			<a href="#">R359</a>	06S15615Y73	RES,RK 103J 1/16 -CP
MAIN-P.W.Board			<a href="#">R360</a>	06S15615Y25	RES,RK 101J 1/16 -CP
MAIN-P.W.Board			<a href="#">R361</a>	06S15615Y25	RES,RK 101J 1/16 -CP
MAIN-P.W.Board			<a href="#">R362</a>	06S45675W43	RES,RK JUMPER1/10-CP
MAIN-P.W.Board			<a href="#">R363</a>	06S15615Y25	RES,RK 101J 1/16 -CP
MAIN-P.W.Board			<a href="#">R364</a>	06S15615Y49	RES,RK 102J 1/16 -CP
MAIN-P.W.Board			<a href="#">R371</a>	06S70072F29	RES,CP .101-J-1/4-CP
MAIN-P.W.Board			<a href="#">R373</a>	06S15615Y73	RES,RK 103J 1/16 -CP
MAIN-P.W.Board			<a href="#">R374</a>	06S15615Y33	RES,RK 221J 1/16 -CP
MAIN-P.W.Board			<a href="#">R375</a>	06S15615Y77	RES,RK 153J 1/16 -CP
MAIN-P.W.Board			<a href="#">R377</a>	06S15615Y73	RES,RK 103J 1/16 -CP
MAIN-P.W.Board			<a href="#">R378</a>	06S15615Y25	RES,RK 101J 1/16 -CP
MAIN-P.W.Board			<a href="#">R379</a>	06S15615Y69	RES,RK 682J 1/16 -CP
MAIN-P.W.Board			<a href="#">R380</a>	06S15615Y91	RES,RK 563J 1/16 -CP
MAIN-P.W.Board			<a href="#">R381</a>	06S15615Y91	RES,RK 563J 1/16 -CP
MAIN-P.W.Board			<a href="#">R382</a>	06S55365Y47	RES,RK 181J 1/10 -CP
MAIN-P.W.Board			<a href="#">R383</a>	06S55365Y47	RES,RK 181J 1/10 -CP
MAIN-P.W.Board			<a href="#">R384</a>	06S55365Y41	RES,RK 101J 1/10 -CP
MAIN-P.W.Board			<a href="#">R385</a>	06S55365Y41	RES,RK 101J 1/10 -CP
MAIN-P.W.Board			<a href="#">R501</a>	06S45674W97	RES,RK 473J 1/10 -CP

NOTE:The part that has not PART NUMBER will not be supplied.

P.W.Board	MIS	MODEL	Ref.	Parts No.	Parts Name
MAIN-P.W.Board			<a href="#">R502</a>	06S15615Y25	RES,RK 101J 1/16 -CP
MAIN-P.W.Board			<a href="#">R503</a>	06S15616Y43	RES,RK 106J 1/16 -CP
MAIN-P.W.Board			<a href="#">R504</a>	06S45674W97	RES,RK 473J 1/10 -CP
MAIN-P.W.Board			<a href="#">R505</a>	06S45674W97	RES,RK 473J 1/10 -CP
MAIN-P.W.Board			<a href="#">R506</a>	06S15616Y22	RES,RK 105J 1/16 -CP
MAIN-P.W.Board			<a href="#">R508</a>	06S15615Y81	RES,RK 223J 1/16 -CP
MAIN-P.W.Board			<a href="#">R514</a>	06S45674W57	RES,RK 102J 1/10 -CP
MAIN-P.W.Board			<a href="#">R516</a>	06S15615Y59	RES,RK 272J 1/16 -CP
MAIN-P.W.Board			<a href="#">R517</a>	06S15615Y59	RES,RK 272J 1/16 -CP
MAIN-P.W.Board			<a href="#">R523</a>	06S15615Y59	RES,RK 272J 1/16 -CP
MAIN-P.W.Board			<a href="#">R524</a>	06S15615Y59	RES,RK 272J 1/16 -CP
MAIN-P.W.Board			<a href="#">R525</a>	06S15615Y59	RES,RK 272J 1/16 -CP
MAIN-P.W.Board			<a href="#">R526</a>	06S15615Y25	RES,RK 101J 1/16 -CP
MAIN-P.W.Board			<a href="#">R527</a>	06S15615Y81	RES,RK 223J 1/16 -CP
MAIN-P.W.Board			<a href="#">R528</a>	06S15615Y59	RES,RK 272J 1/16 -CP
MAIN-P.W.Board			<a href="#">R529</a>	06S15615Y81	RES,RK 223J 1/16 -CP
MAIN-P.W.Board			<a href="#">R530</a>	06S15615Y81	RES,RK 223J 1/16 -CP
MAIN-P.W.Board			<a href="#">R531</a>	06S15615Y25	RES,RK 101J 1/16 -CP
MAIN-P.W.Board			<a href="#">R533</a>	06S45674W57	RES,RK 102J 1/10 -CP
MAIN-P.W.Board			<a href="#">R534</a>	06S15615Y25	RES,RK 101J 1/16 -CP
MAIN-P.W.Board			<a href="#">R535</a>	06S15615Y73	RES,RK 103J 1/16 -CP
MAIN-P.W.Board			<a href="#">R537</a>	06S45674W57	RES,RK 102J 1/10 -CP
MAIN-P.W.Board			<a href="#">R539</a>	06S15615Y25	RES,RK 101J 1/16 -CP
MAIN-P.W.Board			<a href="#">R542</a>	06S45674W57	RES,RK 102J 1/10 -CP
MAIN-P.W.Board			<a href="#">R543</a>	06S45674W57	RES,RK 102J 1/10 -CP
MAIN-P.W.Board			<a href="#">R544</a>	06S45674W57	RES,RK 102J 1/10 -CP
MAIN-P.W.Board			<a href="#">R545</a>	06S45674W57	RES,RK 102J 1/10 -CP
MAIN-P.W.Board			<a href="#">R547</a>	06S45674W57	RES,RK 102J 1/10 -CP
MAIN-P.W.Board			<a href="#">R548</a>	06S45674W57	RES,RK 102J 1/10 -CP
MAIN-P.W.Board			<a href="#">R549</a>	06S45674W57	RES,RK 102J 1/10 -CP
MAIN-P.W.Board			<a href="#">R554</a>	06S15593Y73	RES,RK 103F 1/10 -CP
MAIN-P.W.Board			<a href="#">R555</a>	06S45674W57	RES,RK 102J 1/10 -CP
MAIN-P.W.Board			<a href="#">R556</a>	06S15615Y25	RES,RK 101J 1/16 -CP
MAIN-P.W.Board			<a href="#">R559</a>	06S15615Y25	RES,RK 101J 1/16 -CP
MAIN-P.W.Board			<a href="#">R565</a>	06S15593Y73	RES,RK 103F 1/10 -CP
MAIN-P.W.Board			<a href="#">R566</a>	06S45674W81	RES,RK 103J 1/10 -CP
MAIN-P.W.Board			<a href="#">R567</a>	06S45674W89	RES,RK 223J 1/10 -CP
MAIN-P.W.Board			<a href="#">R568</a>	06S15615Y73	RES,RK 103J 1/16 -CP
MAIN-P.W.Board			<a href="#">R701</a>	06S45675W43	RES,RK JUMPER1/10-CP
MAIN-P.W.Board			<a href="#">R702</a>	06S15615Y89	RES,RK 473J 1/16 -CP
MAIN-P.W.Board			<a href="#">R703</a>	06S15615Y25	RES,RK 101J 1/16 -CP
MAIN-P.W.Board			<a href="#">R704</a>	06S15615Y25	RES,RK 101J 1/16 -CP
MAIN-P.W.Board			<a href="#">R705</a>	06S15615Y89	RES,RK 473J 1/16 -CP
MAIN-P.W.Board			<a href="#">R706</a>	06S15615Y65	RES,RK 472J 1/16 -CP
MAIN-P.W.Board			<a href="#">R707</a>	06S15615Y31	RES,RK 181J 1/16 -CP
MAIN-P.W.Board			<a href="#">R708</a>	06S15615Y25	RES,RK 101J 1/16 -CP





NOTE:The part that has not PART NUMBER will not be supplied.

P.W.Board	MIS	MODEL	Ref.	Parts No.	Parts Name
MAIN-P.W.Board			<a href="#">R709</a>	06S15615Y89	RES,RK 473J 1/16 -CP
MAIN-P.W.Board			<a href="#">R710</a>	06S15615Y89	RES,RK 473J 1/16 -CP
MAIN-P.W.Board			<a href="#">R712</a>	06S15615Y89	RES,RK 473J 1/16 -CP
MAIN-P.W.Board			<a href="#">R713</a>	06S15615Y89	RES,RK 473J 1/16 -CP
MAIN-P.W.Board			<a href="#">R714</a>	06S15615Y81	RES,RK 223J 1/16 -CP
MAIN-P.W.Board			<a href="#">R718</a>	06S15615Y81	RES,RK 223J 1/16 -CP
MAIN-P.W.Board			<a href="#">R719</a>	06S15615Y81	RES,RK 223J 1/16 -CP
MAIN-P.W.Board			<a href="#">R720</a>	06S15615Y81	RES,RK 223J 1/16 -CP
MAIN-P.W.Board			<a href="#">R721</a>	06S15615Y81	RES,RK 223J 1/16 -CP
MAIN-P.W.Board			<a href="#">R722</a>	06S15615Y77	RES,RK 153J 1/16 -CP
MAIN-P.W.Board			<a href="#">R723</a>	06S15615Y77	RES,RK 153J 1/16 -CP
MAIN-P.W.Board			<a href="#">R724</a>	06S45675W30	RES,RK 105J 1/10 -CP
MAIN-P.W.Board			<a href="#">R725</a>	06S15615Y81	RES,RK 223J 1/16 -CP
MAIN-P.W.Board			<a href="#">R726</a>	06S15615Y81	RES,RK 223J 1/16 -CP
MAIN-P.W.Board			<a href="#">R727</a>	06S15615Y49	RES,RK 102J 1/16 -CP
MAIN-P.W.Board			<a href="#">R728</a>	06S15615Y89	RES,RK 473J 1/16 -CP
MAIN-P.W.Board			<a href="#">R729</a>	06S15615Y89	RES,RK 473J 1/16 -CP
MAIN-P.W.Board			<a href="#">R731</a>	06S15615Y89	RES,RK 473J 1/16 -CP
MAIN-P.W.Board			<a href="#">R734</a>	06S15615Y89	RES,RK 473J 1/16 -CP
MAIN-P.W.Board			<a href="#">R735</a>	06S15615Y89	RES,RK 473J 1/16 -CP
MAIN-P.W.Board			<a href="#">R739</a>	06S15615Y89	RES,RK 473J 1/16 -CP
MAIN-P.W.Board			<a href="#">R740</a>	06S15615Y89	RES,RK 473J 1/16 -CP
MAIN-P.W.Board			<a href="#">R741</a>	06S15615Y89	RES,RK 473J 1/16 -CP
MAIN-P.W.Board			<a href="#">R745</a>	06S15615Y89	RES,RK 473J 1/16 -CP
MAIN-P.W.Board			<a href="#">R746</a>	06S15615Y89	RES,RK 473J 1/16 -CP
MAIN-P.W.Board			<a href="#">R760</a>	06S15615Y49	RES,RK 102J 1/16 -CP
MAIN-P.W.Board			<a href="#">R761</a>	06S15616Y22	RES,RK 105J 1/16 -CP
MAIN-P.W.Board			<a href="#">R762</a>	06S15615Y33	RES,RK 221J 1/16 -CP
MAIN-P.W.Board			<a href="#">R763</a>	06S15615Y89	RES,RK 473J 1/16 -CP
MAIN-P.W.Board			<a href="#">R764</a>	06S15615Y89	RES,RK 473J 1/16 -CP
MAIN-P.W.Board			<a href="#">R765</a>	06S15616Y18	RES,RK 684J 1/16 -CP
MAIN-P.W.Board			<a href="#">R766</a>	06S15615Y77	RES,RK 153J 1/16 -CP
MAIN-P.W.Board			<a href="#">R767</a>	06S15615Y89	RES,RK 473J 1/16 -CP
MAIN-P.W.Board			<a href="#">R769</a>	06S15615Y83	RES,RK 273J 1/16 -CP
MAIN-P.W.Board			<a href="#">R770</a>	06S15615Y61	RES,RK 332J 1/16 -CP
MAIN-P.W.Board			<a href="#">R771</a>	06S15615Y17	RES,RK 47RJ 1/16 -CP
MAIN-P.W.Board			<a href="#">R772</a>	06S15615Y17	RES,RK 47RJ 1/16 -CP
MAIN-P.W.Board			<a href="#">R773</a>	06S15615Y25	RES,RK 101J 1/16 -CP
MAIN-P.W.Board			<a href="#">R774</a>	06S15615Y91	RES,RK 563J 1/16 -CP
MAIN-P.W.Board			<a href="#">R776</a>	06S15615Y63	RES,RK 392J 1/16 -CP
MAIN-P.W.Board			<a href="#">R777</a>	06S15615Y25	RES,RK 101J 1/16 -CP
MAIN-P.W.Board			<a href="#">R778</a>	06S15615Y89	RES,RK 473J 1/16 -CP
MAIN-P.W.Board			<a href="#">R779</a>	06S15615Y81	RES,RK 223J 1/16 -CP
MAIN-P.W.Board			<a href="#">R782</a>	06S15615Y67	RES,RK 562J 1/16 -CP
MAIN-P.W.Board			<a href="#">R783</a>	06S15615Y67	RES,RK 562J 1/16 -CP
MAIN-P.W.Board			<a href="#">R784</a>	06S15615Y79	RES,RK 183J 1/16 -CP

NOTE:The part that has not PART NUMBER will not be supplied.

P.W.Board	MIS	MODEL	Ref.	Parts No.	Parts Name
MAIN-P.W.Board			<a href="#">R785</a>	06S15615Y91	RES,RK 563J 1/16 -CP
MAIN-P.W.Board			<a href="#">R786</a>	06S15615Y25	RES,RK 101J 1/16 -CP
MAIN-P.W.Board			<a href="#">R787</a>	06S15615Y25	RES,RK 101J 1/16 -CP
MAIN-P.W.Board			<a href="#">R788</a>	06S70072F90	RES,CP .1R0-J-1/4-CP
MAIN-P.W.Board			<a href="#">R789</a>	06S15615Y91	RES,RK 563J 1/16 -CP
MAIN-P.W.Board			<a href="#">R790</a>	06S15616Y23	RES,RK JUMPER1/16-CP
MAIN-P.W.Board			<a href="#">R791</a>	06S15616Y23	RES,RK JUMPER1/16-CP
MAIN-P.W.Board			<a href="#">R795</a>	06S15615Y73	RES,RK 103J 1/16 -CP
MAIN-P.W.Board			<a href="#">R796</a>	06S15615Y89	RES,RK 473J 1/16 -CP
MAIN-P.W.Board			<a href="#">R798</a>	06S15615Y89	RES,RK 473J 1/16 -CP
MAIN-P.W.Board			<a href="#">R801</a>	06S45675W43	RES,RK JUMPER1/10-CP
MAIN-P.W.Board			<a href="#">R802</a>	06S55365Y41	RES,RK 101J 1/10 -CP
MAIN-P.W.Board			<a href="#">R803</a>	06S15615Y25	RES,RK 101J 1/16 -CP
MAIN-P.W.Board			<a href="#">R804</a>	06S15615Y25	RES,RK 101J 1/16 -CP
MAIN-P.W.Board			<a href="#">R805</a>	06S15615Y89	RES,RK 473J 1/16 -CP
MAIN-P.W.Board			<a href="#">R806</a>	06S15615Y25	RES,RK 101J 1/16 -CP
MAIN-P.W.Board			<a href="#">R808</a>	06S15615Y89	RES,RK 473J 1/16 -CP
MAIN-P.W.Board			<a href="#">R811</a>	06S65415Y47	RES,RK 683F 1/16 -CP
MAIN-P.W.Board			<a href="#">R812</a>	06S35095Y01	RES,RK 333J 1/4 -CP
MAIN-P.W.Board			<a href="#">R813</a>	06S35083Y34	RES,RK 562F 1/4 -CP
MAIN-P.W.Board			<a href="#">R814</a>	06S65415Y34	RES,RK 562F 1/16 -CP
MAIN-P.W.Board			<a href="#">R815</a>	06S65415Y43	RES,RK 333F 1/16 -CP
MAIN-P.W.Board			<a href="#">R816</a>	06S65415Y43	RES,RK 333F 1/16 -CP
MAIN-P.W.Board			<a href="#">R817</a>	06S70072F77	RES,CP .103-J-1/4-CP
MAIN-P.W.Board			<a href="#">R818</a>	06S65415Y41	RES,RK 223F 1/16 -CP
MAIN-P.W.Board			<a href="#">R819</a>	06S15615Y57	RES,RK 222J 1/16 -CP
MAIN-P.W.Board			<a href="#">R820</a>	06S15615Y81	RES,RK 223J 1/16 -CP
MAIN-P.W.Board			<a href="#">R821</a>	06S15593Y77	RES,RK 153F 1/10 -CP
MAIN-P.W.Board			<a href="#">R822</a>	06S15615Y89	RES,RK 473J 1/16 -CP
MAIN-P.W.Board			<a href="#">R826</a>	06S65415Y39	RES,RK 153F 1/16 -CP
MAIN-P.W.Board			<a href="#">R827</a>	06S65415Y28	RES,RK 182F 1/16 -CP
MAIN-P.W.Board			<a href="#">R828</a>	06S65415Y34	RES,RK 562F 1/16 -CP
MAIN-P.W.Board			<a href="#">R832</a>	06S45675W06	RES,RK 104J 1/10 -CP
MAIN-P.W.Board			<a href="#">R836</a>	06S15615Y49	RES,RK 102J 1/16 -CP
MAIN-P.W.Board			<a href="#">R837</a>	06S15615Y13	RES,RK 33RJ 1/16 -CP
MAIN-P.W.Board			<a href="#">R838</a>	06S15615Y25	RES,RK 101J 1/16 -CP
MAIN-P.W.Board			<a href="#">R848</a>	06S15615Y57	RES,RK 222J 1/16 -CP
MAIN-P.W.Board			<a href="#">R849</a>	06S15615Y81	RES,RK 223J 1/16 -CP
MAIN-P.W.Board			<a href="#">R850</a>	06S15615Y89	RES,RK 473J 1/16 -CP
MAIN-P.W.Board			<a href="#">RA501</a>	06S15771Y37	RES,ARYEXB28V103J-CP
MAIN-P.W.Board			<a href="#">RA502</a>	06S15771Y13	RES,ARYEXB28V101J-CP
MAIN-P.W.Board			<a href="#">RA503</a>	06S15771Y13	RES,ARYEXB28V101J-CP
MAIN-P.W.Board			<a href="#">RA504</a>	06S15771Y13	RES,ARYEXB28V101J-CP
MAIN-P.W.Board			<a href="#">RA505</a>	06S15771Y13	RES,ARYEXB28V101J-CP
MAIN-P.W.Board			<a href="#">RA701</a>	06S15771Y45	RES,ARYEXB28V473J-CP
MAIN-P.W.Board			<a href="#">RA702</a>	06S15771Y45	RES,ARYEXB28V473J-CP




NOTE:The part that has not PART NUMBER will not be supplied.

P.W.Board	MIS	MODEL	Ref.	Parts No.	Parts Name
MAIN-P.W.Board			<a href="#">RA703</a>	06S15771Y33	RES,ARY 472J 4 -CP
MAIN-P.W.Board			<a href="#">RA704</a>	06S15771Y33	RES,ARY 472J 4 -CP
MAIN-P.W.Board			<a href="#">RA706</a>	06S15771Y45	RES,ARYEXB28V473J-CP
MAIN-P.W.Board			<a href="#">RA707</a>	06S15771Y13	RES,ARYEXB28V101J-CP
MAIN-P.W.Board			<a href="#">RA708</a>	06S15771Y13	RES,ARYEXB28V101J-CP
MAIN-P.W.Board			<a href="#">RA709</a>	06S15771Y13	RES,ARYEXB28V101J-CP
MAIN-P.W.Board			<a href="#">RA710</a>	06S15771Y13	RES,ARYEXB28V101J-CP
MAIN-P.W.Board			<a href="#">RA711</a>	06S15771Y13	RES,ARYEXB28V101J-CP
MAIN-P.W.Board			<a href="#">RA712</a>	06S15771Y13	RES,ARYEXB28V101J-CP
MAIN-P.W.Board			<a href="#">RA713</a>	06S15771Y45	RES,ARYEXB28V473J-CP
MAIN-P.W.Board			<a href="#">RA717</a>	06S15771Y45	RES,ARYEXB28V473J-CP
MAIN-P.W.Board			<a href="#">RA718</a>	06S15771Y49	RES,ARYEXB28V104J-CP
MAIN-P.W.Board			<a href="#">SA101</a>	48-00954Z01	VST,CSA30C201M-T -CP
MAIN-P.W.Board			<a href="#">VT102</a>	24-17683Z01	COIL,IFT1 FM 5CCE-E6
MAIN-P.W.Board			<a href="#">VT301</a>	24-02502Z02	ASSY,W277A001 -DB
MAIN-P.W.Board			<a href="#">XL101</a>	91-16024Z03	XTL,AT-41CD2 4.00-E9
MAIN-P.W.Board			<a href="#">XL501</a>	91-16093Z02	XTL,NX3215SA 32.7-E1
MAIN-P.W.Board			<a href="#">XL502</a>	91-16024Z08	XTL,AT-41CD2 8.19-E9
MAIN-P.W.Board			<a href="#">XL701</a>	91-16024Z09	XTL,AT-41CD2 9.00-E9
MAIN-P.W.Board			<a href="#">XL702</a>	91-16093Z01	XTL,NX3215SA 32.7-E1
MAIN-P.W.Board			<a href="#">XL703</a>	91-16024Z07	XTL,AT-41CD2 16.9-E9
MAIN-P.W.Board			<a href="#">Z702</a>	91T75196Y08	EMI,BK1005HW601 -CP
MAIN-P.W.Board			<a href="#">Z703</a>	24-06212Z08	FBI,BLM15BD102SH1-CP
MAIN-P.W.Board			<a href="#">ZD301</a>	48-02592Z01	DIO,ZEN Z5W27VJ -EA
FRONT-P.W.Board			<a href="#">C401</a>	08S35349Y12	CAP,CER 105K-B0J -CP
FRONT-P.W.Board			<a href="#">C402</a>	08S35349Y12	CAP,CER 105K-B0J -CP
FRONT-P.W.Board			<a href="#">C403</a>	08S65667Y03	CAP,CER 474KX5R1A-CP
FRONT-P.W.Board			<a href="#">C404</a>	08S35374W12	CAP,CER 106K-B0J -CP
FRONT-P.W.Board			<a href="#">C405</a>	08S45676W65	CAP,CER.222K-B1H -CP
FRONT-P.W.Board			<a href="#">C406</a>	08S45676W65	CAP,CER.222K-B1H -CP
FRONT-P.W.Board			<a href="#">C407</a>	08S45676W65	CAP,CER.222K-B1H -CP
FRONT-P.W.Board			<a href="#">C408</a>	08S45231Y28	CAP,CER 181J-CH1H-CP
FRONT-P.W.Board			<a href="#">C409</a>	08S45676W65	CAP,CER.222K-B1H -CP
FRONT-P.W.Board			<a href="#">CB401</a>	09-18716Z01	BTB,DF20-P -EJ
FRONT-P.W.Board			<a href="#">D406</a>	48-12230Z01	DIO,KDS226-RTK -CP
FRONT-P.W.Board			<a href="#">D407</a>	48-07015Z01	DIO,KDS160-RTK -CP
FRONT-P.W.Board			<a href="#">IC401</a>	51-17831Z01	BU97500KV-E2 -QEA
FRONT-P.W.Board			<a href="#">IC402</a>	51-18623Z01	PNJ4L02M -NE1
FRONT-P.W.Board			<a href="#">JK401</a>	09-18872Z01	JAC,1850383000322-DB
FRONT-P.W.Board			<a href="#">LCD401</a>	65-13828Z01	LCD, TD0568M0TTN-F
FRONT-P.W.Board			<a href="#">LD401</a>	48-14200Z02	LED,BLU LNJ926W8C-CP
FRONT-P.W.Board			<a href="#">LD402</a>	48-14200Z02	LED,BLU LNJ926W8C-CP
FRONT-P.W.Board			<a href="#">LD403</a>	48-15238Z01	LED,RED SML-D13L8WCP
FRONT-P.W.Board			<a href="#">LD405</a>	48-15238Z01	LED,RED SML-D13L8WCP
FRONT-P.W.Board			<a href="#">LD406</a>	48-15238Z01	LED,RED SML-D13L8WCP
FRONT-P.W.Board			<a href="#">LD407</a>	48-15238Z01	LED,RED SML-D13L8WCP




NOTE:The part that has not PART NUMBER will not be supplied.

P.W.Board	MIS	MODEL	Ref.	Parts No.	Parts Name
FRONT-P.W.Board			<a href="#">LD408</a>	48-15238Z01	LED,RED SML-D13L8WCP
FRONT-P.W.Board			<a href="#">LD409</a>	48-15238Z01	LED,RED SML-D13L8WCP
FRONT-P.W.Board			<a href="#">LD410</a>	48-15238Z01	LED,RED SML-D13L8WCP
FRONT-P.W.Board			<a href="#">LD411</a>	48-15238Z01	LED,RED SML-D13L8WCP
FRONT-P.W.Board			<a href="#">LD412</a>	48-15238Z01	LED,RED SML-D13L8WCP
FRONT-P.W.Board			<a href="#">LD413</a>	48-15238Z01	LED,RED SML-D13L8WCP
FRONT-P.W.Board			<a href="#">LD414</a>	48-15238Z01	LED,RED SML-D13L8WCP
FRONT-P.W.Board			<a href="#">LD415</a>	48-15238Z01	LED,RED SML-D13L8WCP
FRONT-P.W.Board			<a href="#">LD416</a>	48-15238Z01	LED,RED SML-D13L8WCP
FRONT-P.W.Board			<a href="#">LD419</a>	48-13928Z01	LED,ARY QB.L.021 -DB
FRONT-P.W.Board			<a href="#">R401</a>	06S35084Y39	RES,RK 153F 1/8 -CP
FRONT-P.W.Board			<a href="#">R402</a>	06S35084Y44	RES,RK 393F 1/8 -CP
FRONT-P.W.Board			<a href="#">R403</a>	06S35084Y78	RES,RK 132F 1/8 -CP
FRONT-P.W.Board			<a href="#">R404</a>	06S35084Y39	RES,RK 153F 1/8 -CP
FRONT-P.W.Board			<a href="#">R405</a>	06S35084Y44	RES,RK 393F 1/8 -CP
FRONT-P.W.Board			<a href="#">R406</a>	06S35084Y78	RES,RK 132F 1/8 -CP
FRONT-P.W.Board			<a href="#">R407</a>	06S35084Y28	RES,RK 182F 1/8 -CP
FRONT-P.W.Board			<a href="#">R408</a>	06S35084Y31	RES,RK 332F 1/8 -CP
FRONT-P.W.Board			<a href="#">R409</a>	06S35084Y29	RES,RK 222F 1/8 -CP
FRONT-P.W.Board			<a href="#">R410</a>	06S35084Y64	RES,RK 432F 1/8 -CP
FRONT-P.W.Board			<a href="#">R411</a>	06S35084Y68	RES,RK 752F 1/8 -CP
FRONT-P.W.Board			<a href="#">R420</a>	06S15615Y89	RES,RK 473J 1/16 -CP
FRONT-P.W.Board			<a href="#">R421</a>	06S15615Y89	RES,RK 473J 1/16 -CP
FRONT-P.W.Board			<a href="#">R422</a>	06S70072F29	RES,CP .101-J-1/4-CP
FRONT-P.W.Board			<a href="#">R423</a>	06S70072F17	RES,CP .33R-J-1/4-CP
FRONT-P.W.Board			<a href="#">R424</a>	06S70072F17	RES,CP .33R-J-1/4-CP
FRONT-P.W.Board			<a href="#">R425</a>	06S15593Y87	RES,RK 393F 1/10 -CP
FRONT-P.W.Board			<a href="#">R426</a>	06S55363Y65	RES,RK 102J 1/8 -CP
FRONT-P.W.Board			<a href="#">R427</a>	06S55363Y65	RES,RK 102J 1/8 -CP
FRONT-P.W.Board			<a href="#">R428</a>	06S15615Y49	RES,RK 102J 1/16 -CP
FRONT-P.W.Board			<a href="#">R429</a>	06S55363Y65	RES,RK 102J 1/8 -CP
FRONT-P.W.Board			<a href="#">R430</a>	06S55361Y63	RES,RK 821J 1/4 -CP
FRONT-P.W.Board			<a href="#">R431</a>	06S55363Y65	RES,RK 102J 1/8 -CP
FRONT-P.W.Board			<a href="#">R433</a>	06S55361Y91	RES,RK 123J 1/4 -CP
FRONT-P.W.Board			<a href="#">R435</a>	06S70072F62	RES,CP .242-J-1/4-CP
FRONT-P.W.Board			<a href="#">R436</a>	06S70072F55	RES,CP .122-J-1/4-CP
FRONT-P.W.Board			<a href="#">R437</a>	06S70072F52	RES,CP .911-J-1/4-CP
FRONT-P.W.Board			<a href="#">R438</a>	06S70072F55	RES,CP .122-J-1/4-CP
FRONT-P.W.Board			<a href="#">R439</a>	06S70072F55	RES,CP .122-J-1/4-CP
FRONT-P.W.Board			<a href="#">R440</a>	06S70072F55	RES,CP .122-J-1/4-CP
FRONT-P.W.Board			<a href="#">R442</a>	06S15616Y23	RES,RK JUMPER1/16-CP
FRONT-P.W.Board			<a href="#">R445</a>	06S55363Y65	RES,RK 102J 1/8 -CP
FRONT-P.W.Board			<a href="#">R446</a>	06S70072F63	RES,CP .272-J-1/4-CP
FRONT-P.W.Board			<a href="#">R453</a>	06S35084Y28	RES,RK 182F 1/8 -CP
FRONT-P.W.Board			<a href="#">R454</a>	06S35084Y31	RES,RK 332F 1/8 -CP
FRONT-P.W.Board			<a href="#">R456</a>	06S35084Y29	RES,RK 222F 1/8 -CP

NOTE:The part that has not PART NUMBER will not be supplied.

P.W.Board	MIS	MODEL	Ref.	Parts No.	Parts Name
FRONT-P.W.Board			<a href="#">R457</a>	06S35084Y64	RES,RK 432F 1/8 -CP
FRONT-P.W.Board			<a href="#">R461</a>	06S35084Y68	RES,RK 752F 1/8 -CP
FRONT-P.W.Board			<a href="#">R464</a>	06S15615Y89	RES,RK 473J 1/16 -CP
FRONT-P.W.Board			<a href="#">R465</a>	06S55363Y65	RES,RK 102J 1/8 -CP
FRONT-P.W.Board			<a href="#">R467</a>	06S70072F29	RES,CP .101-J-1/4-CP
FRONT-P.W.Board			<a href="#">RA401</a>	06S15771Y13	RES,ARYEXB28V101J-CP
FRONT-P.W.Board			<a href="#">SK401</a>	09-19382Z01	SKT,CM-V105 -DB
FRONT-P.W.Board			<a href="#">SW401</a>	40T65353Y01	SW,TACT SKRSPACE010E2
FRONT-P.W.Board			<a href="#">SW402</a>	40T65353Y01	SW,TACT SKRSPACE010E2
FRONT-P.W.Board			<a href="#">SW403</a>	40T65353Y01	SW,TACT SKRSPACE010E2
FRONT-P.W.Board			<a href="#">SW404</a>	40T65353Y01	SW,TACT SKRSPACE010E2
FRONT-P.W.Board			<a href="#">SW405</a>	40T65353Y01	SW,TACT SKRSPACE010E2
FRONT-P.W.Board			<a href="#">SW406</a>	40T65353Y01	SW,TACT SKRSPACE010E2
FRONT-P.W.Board			<a href="#">SW407</a>	40T65353Y01	SW,TACT SKRSPACE010E2
FRONT-P.W.Board			<a href="#">SW408</a>	40T65353Y01	SW,TACT SKRSPACE010E2
FRONT-P.W.Board			<a href="#">SW409</a>	40T65353Y01	SW,TACT SKRSPACE010E2
FRONT-P.W.Board			<a href="#">SW410</a>	40T65353Y01	SW,TACT SKRSPACE010E2
FRONT-P.W.Board			<a href="#">SW411</a>	40T65353Y01	SW,TACT SKRSPACE010E2
FRONT-P.W.Board			<a href="#">SW412</a>	40-10735Z02	ENC,EC12D1524405 -DB
FRONT-P.W.Board			<a href="#">SW413</a>	40T65353Y01	SW,TACT SKRSPACE010E2
FRONT-P.W.Board			<a href="#">SW414</a>	40T65353Y01	SW,TACT SKRSPACE010E2
FRONT-P.W.Board			<a href="#">SW415</a>	40T65353Y01	SW,TACT SKRSPACE010E2
FRONT-P.W.Board			<a href="#">SW416</a>	40T65353Y01	SW,TACT SKRSPACE010E2
FRONT-P.W.Board			<a href="#">SW417</a>	40T65353Y01	SW,TACT SKRSPACE010E2
FRONT-P.W.Board			<a href="#">SW418</a>	40T65353Y01	SW,TACT SKRSPACE010E2
FRONT-P.W.Board			<a href="#">Z401</a>	91T65123Y02	EMI,DLW21SN900SQ2-CP
FRONT-P.W.Board			<a href="#">ZD401</a>	48T15541Y49	DIO,ZEN MAZS0510M-CP
FRONT-P.W.Board			<a href="#">ZD402</a>	48T15541Y49	DIO,ZEN MAZS0510M-CP
SW(DP33U8BV)- P.W.Board			<a href="#">CB101</a>	09-09314Z01	FFC,IMSA9664S-11Y-EQ
SW(DP33U8BV)- P.W.Board			<a href="#">PT1</a>	48-13077Z01	PHT,TR KP3216P3BT-CP
SW(DP33U8BV)- P.W.Board			<a href="#">PT2</a>	48-13077Z01	PHT,TR KP3216P3BT-CP
SW(DP33U8BV)- P.W.Board			<a href="#">PT3</a>	48-13077Z01	PHT,TR KP3216P3BT-CP
SW(DP33U8BV)- P.W.Board			<a href="#">SW1</a>	40T15494Y16	SW,DETCT SPVG1103-E6
FPC.PHOTO.VE- P.W.Board			C101	08S45677W42	CAP,CER.181J-CH1H-CP
FPC.PHOTO.VE- P.W.Board			C102	08S45677W42	CAP,CER.181J-CH1H-CP
FPC.PHOTO.VE- P.W.Board			C103	08S45677W42	CAP,CER.181J-CH1H-CP
FPC.PHOTO.VE- P.W.Board			LD101	48-13076Z01	LED,KPTD-3216F3C -CP
FPC.PHOTO.VE- P.W.Board			LD102	48-13076Z01	LED,KPTD-3216F3C -CP

NOTE:The part that has not PART NUMBER will not be supplied.

P.W.Board	MIS	MODEL	Ref.	Parts No.	Parts Name
FPC.PHOTO.VE-P.W.Board			LD103	48-13076Z01	LED,KPTD-3216F3C -CP
FPC.PHOTO.VE-P.W.Board			R101	06S45674W51	RES,RK 561J 1/10 -CP
FPC.PHOTO.VE-P.W.Board			R102	06S45674W51	RES,RK 561J 1/10 -CP
FPC.PHOTO.VE-P.W.Board			R103	06S45674W51	RES,RK 561J 1/10 -CP
Miscellaneous			<a href="#">HD1</a>	EP-12502Z06	EP21A96NP
Miscellaneous			<a href="#">M1</a>	66-19682Z67	ASSY,SPDL MTR2
Miscellaneous			<a href="#">M2</a>	66-13908Z44	ASSY,LD-SLED MTR AOTA 8BV

NOTE:The part that has not PART NUMBER will not be supplied.