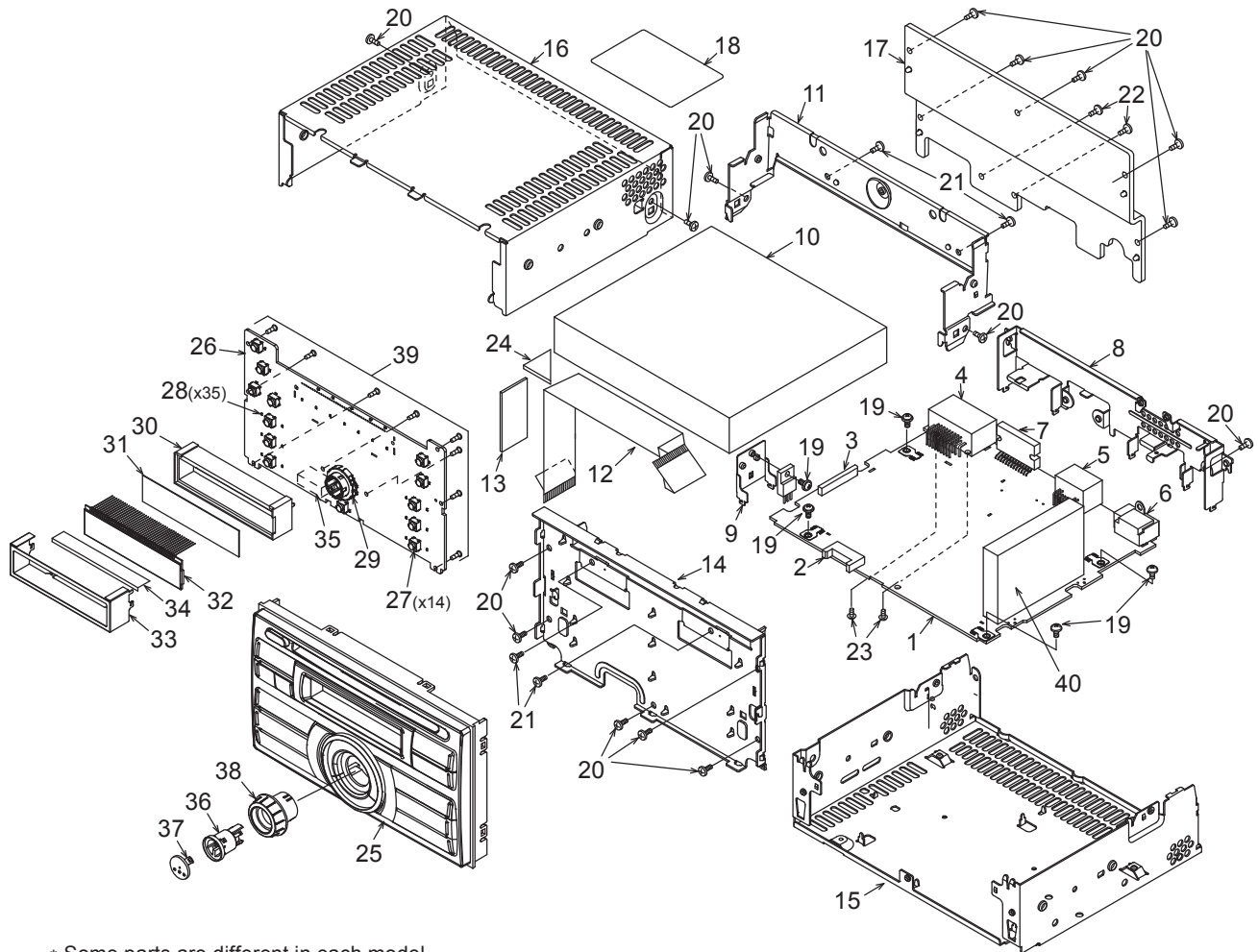


EXPLODED VIEW/PARTS LIST

Main section



* Some parts are different in each model.

NO.	PART NO.	DESCRIPTION	Q'TY	NO.	PART NO.	DESCRIPTION	Q'TY
1	-----	MAIN PWB	1	22	714-2610-8H	MACHINE SCREW (M2.6x10)	2
2	076-3011-64	PLUG (14P)	1	23	778-3006-50	TAP SCREW (3x6)	2
3	074-2003-76	SOCKET (26P)	1	24	345-5802-00	CUSHION RUBBER	1
4	074-4009-20	SOCKET (20P)	1	25	940-8093-01 940-8093-02	ES-ASSY (PE2812LA) ES-ASSY (PE2812LB)	1
5	074-1013-00	SOCKET (12P)	1	26	-----	SW PWB	1
6	092-2210-00	ANT RECEPT	1	27	013-6201-52	SWITCH	14
7	051-2040-00	IC (TA82764Q)	1	28	001-7093-91	LED	35
8	331-4040-00	REAR PLATE	1	29	016-7000-00	ROTARY SWITCH	1
9	331-3835-00	TR HOLDER	1	30	335-7532-00	LCD HOLDER	1
10	929-5001-81	CD MECH MODULE	1	31	335-7770-00	COLOR FILTER	1
11	331-4038-00	MECH BRKT	1	32	379-1357-32 379-1345-32	INDICATOR (PN2812LA) INDICATOR (PN2812LB)	1
12	816-4022-50	FLAT WIRE (26P)	1	33	331-4048-00	LCD COVER	1
13	347-7400-00	WIRE SUPPORT	1	34	345-5877-00	PROTECTOR	1
14	331-4039-00	ES PLATE	1	35	074-3014-64	JACK	1
15	311-1907-00	LOWER CASE	1	36	382-7424-00	BUTTON (PWR)	1
16	310-1814-00	UPPER CASE	1	37	335-7528-00	BUTTON TRIM	1
17	313-1950-00	HEAT SINK	1	38	380-5632-00	KNOB	1
18	-----	SETPLATE(Local parts)	1	39	716-0778-50	WAVE SCREW(M2x6)	8
19	716-0878-50	IT SCREW (M2.6x5)	5	40	880-1921O 880-1921T	TUNER PACK(PN2812LA) TUNER PACK(PN2812LB)	1
20	714-2606-8B	MACHINE SCREW (M2.6x6)	15				
21	714-2603-8H	MACHINE SCREW (M2.6x3)	4				

ELECTRICAL PARTS LIST

Main PWB(B1) section

* Some parts are different in each model.

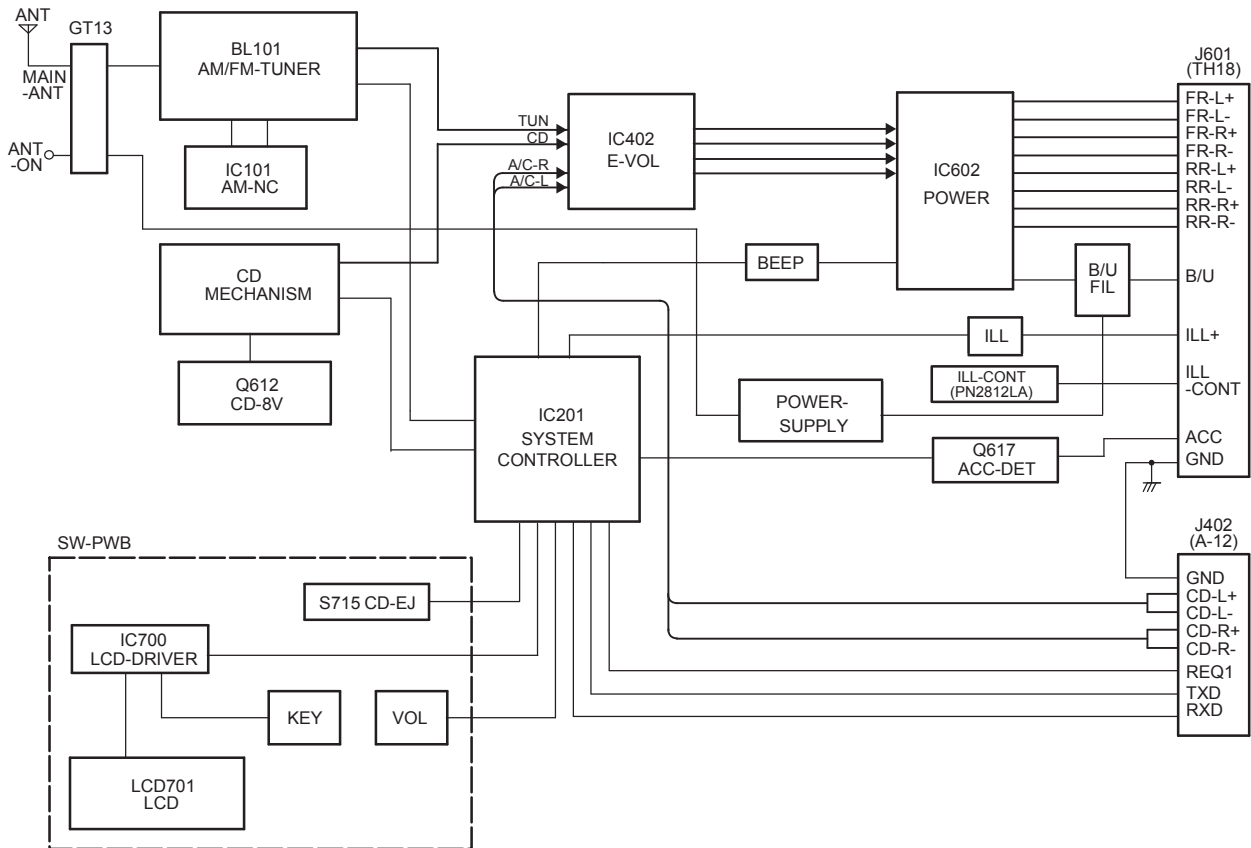
REF No.	PART No.	DESCRIPTION	REF No.	PART No.	DESCRIPTION	REF No.	PART No.	DESCRIPTION
ANT101	092-2210-00	ANTENNA RECEPT	C218	168-1042-78	16V 0.1uF	C636	188-1063-38	16V 10uF
BL101	880-1921O	TUNER PACK	C219	168-1032-55	0.01uF K	C637	168-1042-78	16V 0.1uF
		(for PN2812LA)	C301	168-1042-78	16V 0.1uF			(for PN2812LA)
	880-1921T	TUNER PACK	C303	163-3363-45	25V 33uF	C638	168-1042-78	16V 0.1uF
		(for PN2812LB)	C304	168-1022-55	1000pF K			(for PN2812LA)
C104	168-2222-55	2200pF K	C305	168-1022-55	1000pF K	C639	188-1053-68	50V 1uF
C108	166-1511-50	150pF CH	C306	166-1007-50	10pF CH	C640	168-1042-78	16V 0.1uF
C121	166-1201-50	12pF CH	C401	168-1022-55	1000pF K	C641	168-3932-78	0.039uF K
C122	166-1007-50	10pF CH	C402	168-1022-55	1000pF K	C642	168-3932-78	0.039uF K
C123	166-1011-50	100pF CH	C409	168-1022-55	1000pF K	C643	168-3932-78	0.039uF K
C126	188-1073-28	10V 100uF	C410	168-2232-55	0.022uF K	C644	168-3932-78	0.039uF K
C127	166-2201-50	22pF CH	C417	119-0000-05	1/10W 0 ohm JW	CCT201	050-0145-52	1/16W 1k ohm x4
C128	043-0277-51	0.022uF	C418	119-0000-05	1/10W 0 ohm JW	CCT203	050-0145-52	1/16W 1k ohm x4
C129	168-1042-78	16V 0.1uF	C419	168-1032-55	0.01uF K	CCT204	050-0145-52	1/16W 1k ohm x4
C130	188-1073-28	10V 100uF	C420	178-1242-78	0.12uF	CCT205	050-0145-52	1/16W 1k ohm x4
C131	168-1022-55	1000pF K	C421	178-1242-78	0.12uF	CCT207	050-0145-52	1/16W 1k ohm x4
C132	166-2201-50	22pF CH	C424	188-1063-38	16V 10uF	CCT302	050-0145-52	1/16W 1k ohm x4
C133	168-1042-78	16V 0.1uF	C425	178-4742-78	0.47uF	CCT303	050-0145-52	1/16W 1k ohm x4
C134	042-1458-93	50V 2.2uF	C426	178-4742-78	0.47uF	D101	001-0466-90	S5688B
C135	166-2201-50	22pF CH	C427	178-1242-78	0.12uF	D401	001-0516-90	MA111
C136	187-4763-37	16V 47uF	C428	178-1242-78	0.12uF	D402	001-0516-90	MA111
C137	166-1011-50	100pF CH	C429	178-1052-78	1uF	D403	001-4305-39	UDZSTE-17 36B
C139	166-1011-50	100pF CH	C430	178-1052-78	1uF	D602	001-0529-48	MA8091-H
C140	168-1042-78	16V 0.1uF	C431	178-1052-78	1uF	D603	001-0516-90	MA111
C141	188-1073-28	10V 100uF	C432	178-1052-78	1uF	D604	001-0466-90	S5688B
C142	178-1052-78	1uF	C434	168-1042-78	16V 0.1uF	D605	001-0516-90	MA111
C151	166-1007-50	10pF CH	C436	178-1052-78	1uF	D606	001-0504-31	HZS6 A2L
C154	168-3932-78	0.039uF K	C437	166-2211-50	220pF CH	D607	001-0504-45	HZS9B1L
		(for PN2812LA)	C438	178-1542-78	0.15uF	D608	001-2015-00	RL253
	168-2732-55	0.027uF K	C439	188-1063-38	16V 10uF	D610	001-0529-48	MA8091-H
		(for PN2812LB)	C440	166-2211-50	220pF CH	D611	001-0529-34	MA8062-L
C155	168-3932-78	0.039uF K	C441	178-1542-78	0.15uF	D612	001-0466-90	S5688B
		(for PN2812LA)	C442	178-1052-78	1uF	IC103	051-4618-90	HA12181FP-EL-E
	168-2732-55	0.027uF K	C443	043-0548-50	2.2uF	IC201	052-1184-20	uPD178078GF-731-3BAA
		(for PN2812LB)	C444	043-0548-50	2.2uF	IC402	051-5041-90	BD3827K
C162	168-4722-55	4700pF K	C541	117-0000-05	1/8W 0 ohm JW	IC601	051-3341-90	BD3931FP
C173	166-1011-50	100pF CH	C542	117-0000-05	1/8W 0 ohm JW	IC602	051-2040-00	TA8276H
C174	168-4712-55	470pF K	C543	117-0000-05	1/8W 0 ohm JW	J201	076-3011-64	14P
C175	166-1011-50	100pF CH	C544	117-0000-05	1/8W 0 ohm JW	J301	074-2003-76	SOCKET(26P)
C180	178-1042-78	0.1uF	C602	188-4763-38	16V 47uF	J402	074-1013-00	12P
C181	168-1022-55	1000pF K	C604	042-0416-59	10V 33uF M TAN	J601	074-4009-20	SOCKET(20P)
C182	166-1011-50	100pF CH	C605	168-1032-55	0.01uF K	L104	010-2003-04	30uH
C183	188-3353-68	50V 3.3uF	C606	168-1042-78	16V 0.1uF	L105	010-3407-75	NLV32 120uH J
C184	168-2245-79	0.22uF Z	C607	168-2232-55	0.022uF K	L201	010-6009-64	2.2uH J
C185	168-3332-78	0.033uF K	C608	168-1042-78	16V 0.1uF	L601	009-0670-81	180uH
C186	168-1042-78	16V 0.1uF	C609	042-1452-82	16V 100uF	Q105	192-4116-51	2SC4116 G,L
C188	168-1032-55	0.01uF K	C610	168-1032-55	0.01uF K	Q106	192-4116-51	2SC4116 G,L
C189	188-3363-28	10V 33uF	C611	178-1052-78	1uF	Q108	190-1162-00	2SA1162
C191	168-5632-78	16V 0.056uF	C612	168-4722-55	4700pF K	Q109	190-1162-00	2SA1162
C192	168-6832-78	0.068uF K	C613	188-1063-38	16V 10uF	Q202	125-2026-91	UN5211
C193	168-3332-78	0.033uF K	C614	188-1063-68	50V 10uF	Q401	125-2026-91	UN5211
C194	168-2222-55	2200pF K	C615	166-1011-50	100pF CH	Q402	125-0020-91	UN5111
C195	168-3332-78	0.033uF K	C616	168-1032-55	0.01uF K	Q403	192-4116-00	2SC4116
C196	178-2255-79	2.2uF	C617	188-1063-38	16V 10uF	Q404	192-4116-00	2SC4116
C197	178-2255-79	2.2uF	C618	168-2232-55	0.022uF K	Q405	192-4116-00	2SC4116
C198	168-3332-78	0.033uF K	C620	188-1053-68	50V 1uF	Q603	193-2118-00	2SD2118F5 Q,R,S
C199	168-3332-78	0.033uF K	C621	188-1063-38	16V 10uF	Q604	191-1197-50	2SB1197K Q,R
C201	166-1011-50	100pF CH	C622	172-1041-15	0.1uF	Q605	125-2026-91	UN5211
C202	166-1011-50	100pF CH	C623	042-1447-00	16V 2200uF	Q606	125-0020-91	UN5111
C203	166-1011-50	100pF CH	C624	168-6822-55	6800pF K	Q607	125-2026-91	UN5211
C204	166-1011-50	100pF CH	C625	168-6822-55	6800pF K	Q608	191-1240-00	2SB1240
C205	168-1042-78	16V 0.1uF	C626	168-6822-55	6800pF K	Q609	125-2026-95	UN521N
C206	168-1042-78	16V 0.1uF	C627	168-6822-55	6800pF K	Q610	193-1858-00	2SD1858
C209	166-8097-50	8pF C CH	C628	168-6822-55	6800pF K	Q611	125-9003-92	IMD3
C210	188-1073-28	10V 100uF	C629	168-6822-55	6800pF K	Q612	103-2012-00	2SD2012
C211	168-1042-78	16V 0.1uF	C630	168-1042-78	16V 0.1uF	Q613	125-2026-91	UN5211
C212	188-1073-28	10V 100uF	C631	168-6822-55	6800pF K	Q614	193-2118-00	2SD2118F5 Q,R,S
C213	168-1042-78	16V 0.1uF	C632	168-6822-55	6800pF K	Q616	193-1306-00	2SD1306
C214	168-1032-55	0.01uF K	C634	168-1042-78	16V 0.1uF			(for PN2812LA)
C216	166-1011-50	100pF CH			(for PN2812LA)			
C217	178-1052-78	1uF	C635	168-1042-78	16V 0.1uF	Q617	192-2712-00	2SC2712

REF No.	PART No.	DESCRIPTION	REF No.	PART No.	DESCRIPTION	REF No.	PART No.	DESCRIPTION
Q618	192-2712-00	2SC2712 (for PN2812LA)	R236	119-1031-15	1/10W 10k ohm	R573	119-0000-05	1/10W 0 ohm JW
R106	119-0000-05	1/10W 0 ohm JW	R237	119-4731-15	1/10W 47k ohm	R574	119-0000-05	1/10W 0 ohm JW
R120	119-4741-15	1/10W 470k ohm	R238	119-4731-15	1/10W 47k ohm	R575	119-0000-05	1/10W 0 ohm JW
R121	119-2221-15	1/10W 2.2k ohm	R240	119-3331-15	1/10W 33k ohm	R576	119-0000-05	1/10W 0 ohm JW
R122	119-2221-15	1/10W 2.2k ohm	R242	119-1021-15	1/10W 1k ohm	R602	119-2221-15	1/10W 2.2k ohm
R123	119-2721-15	1/10W 2.7k ohm	R243	119-1021-15	1/10W 1k ohm	R603	119-2221-15	1/10W 2.2k ohm
R124	119-1021-15	1/10W 1k ohm	R244	119-1021-15	1/10W 1k ohm	R604	119-2221-15	1/10W 2.2k ohm
R125	119-8201-15	1/10W 82 ohm	R245	119-1021-15	1/10W 1k ohm	R605	119-2221-15	1/10W 2.2k ohm
R126	119-1021-15	1/10W 1k ohm	R246	119-1021-15	1/10W 1k ohm	R606	116-4711-15	1/4W 470 ohm
R128	119-1021-15	1/10W 1k ohm	R303	119-1021-15	1/10W 1k ohm	R607	116-1821-15	1/4W 1.8k ohm
R129	119-0000-05	1/10W 0 ohm JW	R304	119-1021-15	1/10W 1k ohm	R608	119-2231-15	1/10W 22k ohm
R138	119-1001-15	1/10W 10 ohm	R306	119-1031-15	1/10W 10k ohm	R609	119-4741-15	1/10W 470k ohm
R139	119-1001-15	1/10W 10 ohm	R307	119-0000-05	1/10W 0 ohm JW	R610	119-3331-15	1/10W 33k ohm
R140	119-1501-15	1/10W 15 ohm	R308	119-4731-15	1/10W 47k ohm	R611	119-4721-15	1/10W 4.7k ohm
R142	119-1021-15	1/10W 1k ohm	R309	119-1031-15	1/10W 10k ohm	R612	119-1021-15	1/10W 1k ohm
R143	119-1021-15	1/10W 1k ohm	R318	119-1021-15	1/10W 1k ohm	R613	116-1091-15	1/4W 1 ohm
R145	119-2221-15	1/10W 2.2k ohm	R400	119-4731-15	1/10W 47k ohm	R614	116-1221-15	1/4W 1.2k ohm
R146	119-1031-15	1/10W 10k ohm	R401	119-4731-15	1/10W 47k ohm	R615	119-1031-15	1/10W 10k ohm
R148	119-1031-15	1/10W 10k ohm	R402	119-2231-15	1/10W 22k ohm	R616	119-0000-05	1/10W 0 ohm JW
R150	119-2221-15	1/10W 2.2k ohm	R404	119-1031-15	1/10W 10k ohm	R618	116-2211-15	1/4W 220 ohm
R181	119-4731-15	1/10W 47k ohm	R405	119-5631-15	1/10W 56k ohm	R619	119-1041-15	1/10W 100k ohm
R182	119-1841-15	1/10W 180k ohm	R406	119-1031-15	1/10W 10k ohm	R620	119-4721-15	1/10W 4.7k ohm
R183	119-2731-15	1/10W 27k ohm	R407	119-1031-15	1/10W 10k ohm	R621	116-3911-15	1/4W 390 ohm
R184	119-5621-15	1/10W 5.6k ohm	R408	119-5631-15	1/10W 56k ohm	R622	116-3911-15	1/4W 390 ohm
R185	119-1021-15	1/10W 1k ohm	R409	119-5631-15	1/10W 56k ohm	R623	119-1041-15	1/10W 100k ohm
R186	119-6821-15	1/10W 6.8k ohm	R411	119-5621-15	1/10W 5.6k ohm	R624	116-6811-15	1/4W 680 ohm
R187	119-1041-15	1/10W 100k ohm	R412	119-5621-15	1/10W 5.6k ohm	R626	116-2721-15	1/4W 2.7k ohm
R188	119-1231-15	1/10W 12k ohm	R413	119-3011-15	1/10W 300 ohm	R631	119-5611-15	1/10W 560 ohm (for PN2812LA)
R202	119-1021-15	1/10W 1k ohm	R414	119-3011-15	1/10W 300 ohm	R632	119-1031-15	1/10W 10k ohm
R203	119-1021-15	1/10W 1k ohm	R422	032-0106-69	1/10W 39k ohm D	R633	116-1831-15	1/4W 18k ohm (for PN2812LA)
R204	119-4731-15	1/10W 47k ohm	R423	032-0106-69	1/10W 39k ohm D	R634	119-4721-15	1/10W 4.7k ohm (for PN2812LA)
R206	119-4731-15	1/10W 47k ohm	R424	032-0106-69	1/10W 39k ohm D	R635	119-5611-15	1/10W 560 ohm
R207	119-4731-15	1/10W 47k ohm	R425	032-0106-69	1/10W 39k ohm D	R636	116-4791-15	1/4W 4.7 ohm
R208	119-1041-15	1/10W 100k ohm	R426	119-1021-15	1/10W 1k ohm	R637	119-0000-05	1/10W 0 ohm JW (for PN2812LB)
R209	119-1041-15	1/10W 100k ohm	R427	119-1021-15	1/10W 1k ohm	R638	116-1531-15	1/4W 15k ohm
R213	119-4731-15	1/10W 47k ohm	R428	119-3331-15	1/10W 33k ohm	R639	119-0000-05	1/10W 0 ohm JW (for PN2812LA)
R214	119-1021-15	1/10W 1k ohm	R429	119-1241-15	1/10W 120k ohm	R640	119-0000-05	1/10W 0 ohm JW (for PN2812LB)
R215	119-1031-15	1/10W 10k ohm	R430	119-4721-15	1/10W 4.7k ohm	R641	116-4791-15	1/4W 4.7 ohm
R216	119-1021-15	1/10W 1k ohm	R431	119-1241-15	1/10W 120k ohm	R908	119-0000-05	1/10W 0 ohm JW
R217	119-0000-05	1/10W 0 ohm JW	R432	119-4721-15	1/10W 4.7k ohm	SUP102	060-0122-90	DSP-201M-S00B
R219	119-4731-15	1/10W 47k ohm	R433	119-0000-05	1/10W 0 ohm JW	TC201	004-1580-02	11pF
R220	119-1031-15	1/10W 10k ohm	R434	119-0000-05	1/10W 0 ohm JW	TH601	002-0229-90	PTH8L05B
R221	119-1031-15	1/10W 10k ohm	R435	119-0000-05	1/10W 0 ohm JW	TM601	073-0768-90	TERMINAL
R222	119-4731-15	1/10W 47k ohm	R436	119-0000-05	1/10W 0 ohm JW	TM603	073-0768-90	TERMINAL
R223	119-2231-15	1/10W 22k ohm	R501	119-0000-05	1/10W 0 ohm JW	TM604	073-0768-90	TERMINAL
R224	119-1041-15	1/10W 100k ohm (for PN2812LB)	R502	119-0000-05	1/10W 0 ohm JW	TM605	073-0768-90	TERMINAL
R225	119-2231-15	1/10W 22k ohm	R503	119-0000-05	1/10W 0 ohm JW	VR102	012-4318-56	VR 10k ohm
R226	119-1031-15	1/10W 10k ohm (for PN2812LA)	R504	119-0000-05	1/10W 0 ohm JW	X201	061-3055-00	4.5MHz
R227	119-1041-15	1/10W 100k ohm	R526	119-0000-05	1/10W 0 ohm JW	PWB	039-2812-00	PWB(WITHOUT COMPONENTS)
R230	119-1031-15	1/10W 10k ohm	R527	119-0000-05	1/10W 0 ohm JW			
R231	119-3311-15	1/10W 330 ohm	R530	119-0000-05	1/10W 0 ohm JW			
R232	119-3311-15	1/10W 330 ohm	R531	119-0000-05	1/10W 0 ohm JW			
R235	119-4721-15	1/10W 4.7k ohm	R557	119-0000-05	1/10W 0 ohm JW			
			R558	119-0000-05	1/10W 0 ohm JW			
			R571	119-0000-05	1/10W 0 ohm JW			
			R572	119-0000-05	1/10W 0 ohm JW			

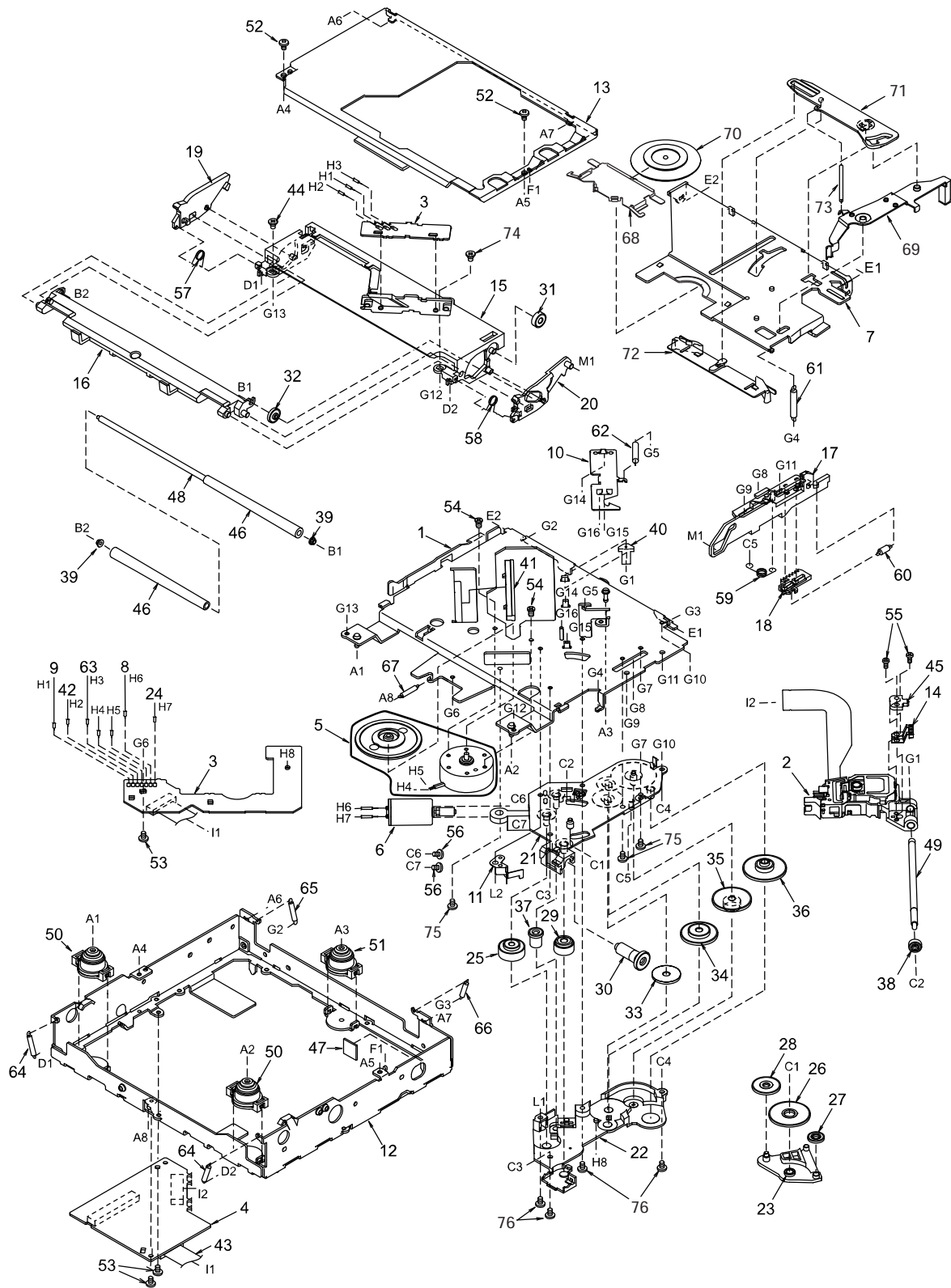
Switch PWB(B2) section

REF No.	PART No.	DESCRIPTION	REF No.	PART No.	DESCRIPTION	REF No.	PART No.	DESCRIPTION
C701	042-0416-59	10V 33uF M TAN	D733	001-7093-91	RFY1112H-16-TR	R713	116-2721-15	1/4W 2.7k ohm
C703	168-1042-78	16V 0.1uF	D734	001-7093-91	RFY1112H-16-TR	R714	116-2721-15	1/4W 2.7k ohm
C704	168-1042-78	16V 0.1uF	D735	001-7093-91	RFY1112H-16-TR	R715	116-2721-15	1/4W 2.7k ohm
C705	168-1042-78	16V 0.1uF	D736	001-7093-91	RFY1112H-16-TR	R716	116-2721-15	1/4W 2.7k ohm
C706	168-6812-55	680pF K	D737	001-7093-91	RFY1112H-16-TR	R717	116-2721-15	1/4W 2.7k ohm
C707	166-1011-50	100pF CH	D738	001-7093-91	RFY1112H-16-TR	R718	116-2721-15	1/4W 2.7k ohm
C708	168-1032-55	0.01uF K	D739	001-7093-91	RFY1112H-16-TR	R719	116-3321-15	1/4W 3.3k ohm
C709	168-1042-78	16V 0.1uF	D740	001-7093-91	RFY1112H-16-TR	R720	116-3021-15	1/4W 3k ohm
CCT701	050-0145-52	1/16W 1k ohm x4	D741	001-7093-91	RFY1112H-16-TR	R721	116-3021-15	1/4W 3k ohm
CCT702	050-0145-52	1/16W 1k ohm x4	D742	001-7093-91	RFY1112H-16-TR	R722	119-2721-15	1/10W 2.7k ohm
CCT703	050-0145-52	1/16W 1k ohm x4	D743	001-7093-91	RFY1112H-16-TR	R723	116-2221-15	1/4W 2.2k ohm
D702	001-0516-90	MA111	D744	001-7093-91	RFY1112H-16-TR	R724	116-2221-15	1/4W 2.2k ohm
D704	001-0516-90	MA111	D745	001-7093-91	RFY1112H-16-TR	R725	116-4321-15	1/4W 4.3k ohm
D706	001-0516-90	MA111	D746	001-7093-91	RFY1112H-16-TR	R726	116-3321-15	1/4W 3.3k ohm
D707	001-0516-90	MA111	D747	001-7093-91	RFY1112H-16-TR	R727	116-1521-15	1/4W 1.5k ohm
D708	001-0516-90	MA111	D748	001-7093-91	RFY1112H-16-TR	R728	116-4321-15	1/4W 4.3k ohm
D709	001-0516-90	MA111	D749	001-7093-91	RFY1112H-16-TR	S701	013-6201-52	TACT SWITCH
D710	001-0516-90	MA111	D750	001-7093-91	RFY1112H-16-TR	S702	013-6201-52	TACT SWITCH
D715	001-7093-91	RFY1112H-16-TR	LCD701	379-1357-32	INDICATOR	S703	013-6201-52	TACT SWITCH
D716	001-7093-91	RFY1112H-16-TR			(for PN2812LA)	S704	013-6201-52	TACT SWITCH
D717	001-7093-91	RFY1112H-16-TR			379-1345-32	S705	013-6201-52	TACT SWITCH
D718	001-7093-91	RFY1112H-16-TR			INDICATOR	S706	013-6201-52	TACT SWITCH
D720	001-7093-91	RFY1112H-16-TR			(for PN2812LB)	S707	013-6201-52	TACT SWITCH
D721	001-7093-91	RFY1112H-16-TR	IC701	051-6000-10	LC75853NE	S708	013-6201-52	TACT SWITCH
D722	001-7093-91	RFY1112H-16-TR	J701	074-3014-64	SOCKET(14P)	S709	013-6201-52	TACT SWITCH
D723	001-7093-91	RFY1112H-16-TR	R701	119-1021-15	1/10W 1k ohm	S710	013-6201-52	TACT SWITCH
D724	001-7093-91	RFY1112H-16-TR	R702	119-1021-15	1/10W 1k ohm	S711	013-6201-52	TACT SWITCH
D725	001-7093-91	RFY1112H-16-TR	R703	119-1021-15	1/10W 1k ohm	S712	013-6201-52	TACT SWITCH
D726	001-7093-91	RFY1112H-16-TR	R704	119-1021-15	1/10W 1k ohm	S713	013-6201-52	TACT SWITCH
D727	001-7093-91	RFY1112H-16-TR	R705	119-1021-15	1/10W 1k ohm	S714	016-7000-00	ROTARY VOL
D728	001-7093-91	RFY1112H-16-TR	R706	119-1021-15	1/10W 1k ohm	S715	013-6201-52	TACT SWITCH
D729	001-7093-91	RFY1112H-16-TR	R707	119-1021-15	1/10W 1k ohm	TM701	073-0778-90	TERMINAL
D730	001-7093-91	RFY1112H-16-TR	R708	119-2721-15	1/10W 2.7k ohm	TM702	073-0778-90	TERMINAL
D731	001-7093-91	RFY1112H-16-TR	R709	119-2721-15	1/10W 2.7k ohm	PWB	039-2813-00	PWB(WITHOUT COMPONENTS)
D732	001-7093-91	RFY1112H-16-TR	R711	119-6831-15	1/10W 68k ohm			
			R712	116-2721-15	1/4W 2.7k ohm			

BLOCK DIAGRAM



EXPLODED VIEW / PARTS LIST



ELECTRICAL PARTS LIST
CD PWB(BM1) section

NO.	PART NO.	DESCRIPTION	QTY	NO.	PART NO.	DESCRIPTION	QTY
1	966-1743-21	DRIVE-PLT-ASSY	1	39	621-1726-20	ROLLER SLEEVE	2
2	969-0071-30	PICKUP-ASSY	1	40	621-0623-23	LS-HOLDER	1
3		LED PWB	1	41	621-0624-22	GUIDE RAIL	1
4		CD PWB	1	42	816-2593-00	LEAD(PUR)	1
5	SMA-182-100	MOTOR ASSY(SPINNLE)	1	43	816-2542-01	FLAT WIRE	1
6	SMA-183-100	MOTOR ASSY(SLED)	1	44	716-3473-01	SCREW(M2x3)	1
7	620-1596-23	CLAMPER LINK	1	45	621-1729-20	SH-BASE	1
8	803-4906-60	VINYL-COAT-WIRE(ORG)	1	46	621-0711-20	LOADING ROLLER	2
9	816-2591-00	LEAD(YEL)	1	47	345-5476-20	CUSHION RUBBER	1
10	620-1753-20	ID-LOCK PLATE	1	48	622-1571-21	ROLLER SHAFT	1
11	620-1026-21	SPRING PLATE	1	49	624-0020-00	LEAD SCREW	1
12	620-1754-20	LOWER CHASSIS	1	50	629-0086-20	DAMPER F	2
13	620-1598-22	UPPER CHASSIS	1	51	629-0087-20	DAMPER R	1
14	966-1722-20	SH-RACK-ASSY	1	52	714-2003-6B	MACHIN SCREW(M2x3)	2
15	621-1742-20	UPPER GUIDE	1	53	716-1507-01	SCREW(M2x3)	3
16	621-0718-21	ROLLER GUIDE	1	54	716-1733-01	SCREW(M1.7x2.3)	2
17	621-1743-20	SHIFT LEVER	1	55	716-3469-01	SCREW(M3x4)	2
18	621-1744-20	RACK	1	56	716-3551-00	SCREW(M1.4x2.5)	2
19	621-1745-20	LOCK ARM L	1	57	750-6797-20	ROLLER SPRING L	1
20	621-1746-20	LOCK ARM R	1	58	750-6798-20	ROLLER SPRING R	1
21	621-1754-20	GEAR BASE	1	59	750-3467-21	SHIFT SPRING	1
22	621-1747-20	GEAR COVER	1	60	750-3468-20	RACK SPRING	1
23	621-1719-20	IDLE CASE	1	61	750-3469-20	CLAMPER SPRING	1
24	816-2590-00	LEAD(GRN)	1	62	750-3470-20	ID-LOCK SPRING	1
25	621-0608-21	SECOND GEAR	1	63	816-2592-00	LEAD(BLU)	1
26	621-0609-20	BASE GEAR	1	64	750-3472-21	DR-SPRING F	2
27	621-0610-20	IDLE GEAR A	1	65	750-3473-20	DR-SPRING RA	1
28	621-0611-20	IDLE GEAR B	1	66	750-3474-20	DR-SPRING RB	1
29	621-0612-21	ROLLER GEAR A	1	67	750-3475-21	DR-SPRING C	1
30	621-0719-20	ROLLER GEAR	1	68	620-1023-23	CLAMPER PLATE	1
31	621-0720-20	ROLLER GEAR C	1	69	620-1752-20	SENSOR ARM	1
32	621-0721-20	ROLLER GEAR D	1	70	621-1753-20	CLAMPER RING	1
33	621-1748-20	POWER GEAR A	1	71	621-0728-20	STOPPER LINK	1
34	621-1749-20	POWER GEAR B	1	72	621-1752-20	DISC STOPPER	1
35	621-1750-20	POWER GEAR C	1	73	750-3471-20	SENSOR SPRING	1
36	621-1751-20	POWER GEAR D	1	74	781-1730-00	SCREW(M1.7x3)	1
37	621-0620-20	THREAD GEAR A	1	75	780-2025-00	SCREW(M2x2.5)	3
38	621-0621-20	THREAD GEAR B	1	76	716-1670-01	SCREW(M2x4)	4

REF No.	PART No.	DESCRIPTION	REF No.	PART No.	DESCRIPTION
C1	168-1042-78	16V 0.1uF	C35	046-6812-58	680pF
C3	168-2273-05	4V220uF	C36	168-1042-78	16V 0.1uF
C4	168-1042-78	16V 0.1uF	C37	046-1522-58	15000pF
C5	163-1073-35	16V100uF	C38	046-4722-58	47000pF
C6	168-1042-78	16V 0.1uF	C39	046-1032-78	0.01uF
C7	178-1052-78	1uF	C40	046-1532-78	0.015uF
C9	042-0560-95	6.3V100uF	C43	168-1042-78	16V 0.1uF
C10	046-4712-58	4700pF	C47	178-1052-78	1uF
C11	046-4712-58	4700pF	C48	168-1042-78	16V 0.1uF
C12	046-4712-58	4700pF	C49	168-1042-78	16V 0.1uF
C13	168-1042-78	16V 0.1uF	C50	046-0666-00	12.5V 22uF
C15	168-1042-78	16V 0.1uF	C51	046-5622-58	56000pF
C16	168-4732-78	0.047uF	C52	178-1052-78	1uF
C17	168-4732-78	0.047uF	C53	045-1007-50	100pF
C18	168-1042-78	16V 0.1uF	C54	045-1007-50	100pF
C19	168-1042-78	16V 0.1uF	C55	178-1052-78	1uF
C21	046-6822-58	68000pF	CCT2	050-0140-63	1/32W 47k ohm x4J
C22	046-3332-78	0.033uF	D1	001-0367-91	1SS226
C24	178-1052-78	1uF	IC1	051-6071-08	BA5825FP-E2
C25	168-1042-78	16V 0.1uF	IC2	051-6399-00	TC94A15F
C26	168-1042-78	16V 0.1uF	J101	074-1228-76	26P
C28	168-1042-78	16V 0.1uF	J201	074-1136-65	15P
C29	168-1042-78	16V 0.1uF	J301	074-1136-60	10P
C30	045-6801-50	680pF	Q1	131-1186-50	2SB1188PQR
C31	168-1042-78	16V 0.1uF	Q2	131-1186-50	2SB1188PQR
C32	168-1042-78	16V 0.1uF	R1	117-6811-15	1/8W 680 ohm
C33	046-1532-78	0.015uF	R2	117-4001-15	1/8W 10 ohm
C34	168-1042-78	16V 0.1uF			

LED PWB(BM2) section

REF No.	PART No.	DESCRIPTION	REF No.	PART No.	DESCRIPTION
D1	001-7058-90	AN1105W-RR	Q1	060-4015-91	PS1192HB-33-TR
D2	001-7058-90	AN1105W-RR	Q2	060-4015-91	PS1192HB-33-TR
J1	074-1138-60	10P	S1	013-7414-50	CHUCKING COMPONENT)

REF No.	PART No.	DESCRIPTION	REF No.	PART No.	DESCRIPTION
R9	033-2211-15	1/10W 220 ohm	R19	033-5621-15	1/10W 5.6k ohm
R11	033-1051-15	1/10W 1M ohm	R21	033-2231-15	1/10W 2.2k ohm
R12	119-2221-15	1/10W 2.2k ohm	R22	033-4731-15	1/10W 47k ohm
R13	033-2211-15	1/10W 220 ohm	R24	033-1041-15	1/10W 100k ohm
R14	033-2211-15	1/10W 220 ohm	R26	033-1531-15	1/10W 15k ohm
R16	033-2231-15	1/10W 22k ohm	R27	033-4731-15	1/10W 47k ohm
R17	033-3921-15	1/10W 3.9k ohm	R28	033-1831-15	1/10W 18k ohm
R18	033-3341-15	1/10W 330k ohm	R30	033-8821-15	1/10W 8.8k ohm
R19	033-5621-15	1/10W 5.6k ohm	R31	033-8231-15	1/10W 82k ohm
R21	033-2231-15	1/10W 2.2k ohm	R32	119-1001-15	1/10W 10 ohm
R22	033-4731-15	1/10W 47k ohm	R33	033-2731-15	1/10W 27k ohm
R24	033-1041-15	1/10W 100k ohm	R34	033-2731-15	1/10W 27k ohm
R26	033-1531-15	1/10W 15k ohm	R35	033-2731-15	1/10W 27k ohm
R27	033-4731-15	1/10W 47k ohm	R36	033-2731-15	1/10W 27k ohm
R28	033-1831-15	1/10W 18k ohm	R37	032-0162-50	1/10W 0.51 ohm
R30	033-8821-15	1/10W 8.8k ohm	TM1	073-0768-00	TERMINAL
R31	033-8231-15	1/10W 82k ohm	X2	061-3534-00	16.92MHz
R32	119-1001-15	1/10W 10 ohm	PWB	039-2846-20	PWB(WITHOUT COMPONENT)
R33	033-2731-15	1/10W 27k ohm			
R34	033-2731-15	1/10W 27k ohm			
R35	033-2731-15	1/10W 27k ohm			
R36	033-2731-15	1/10W 27k ohm			
R37	032-0162-50	1/10W 0.51 ohm			
TM1	073-0768-00	TERMINAL			
X2	061-3534-00	16.92MHz			
PWB	039-2846-20	PWB(WITHOUT COMPONENT)			