

TM-271A/271E

PARTS LIST

* New Parts. Δ indicates safety critical components.

Parts without **Parts No.** are not supplied.

Les articles non mentionnés dans le **Parts No.** ne sont pas fournis.

Teile ohne **Parts No.** werden nicht geliefert.

L : Scandinavia

K : USA

P : Canada

Y : PX (Far East, Hawaii)

T : England

E : Europe

Y : AAFES (Europe)

X : Australia

M : Other Areas

TM-271A/E DISPLAY UNIT (X54-3450-10)

Ref. No.	Address	New parts	Parts No.	Description	Destination
TM-271A/E					
1	1B	*	A01-2193-01	CABINET	
2	3B		A10-4048-21	CHASSIS	
3	3A	*	A62-1088-03	PANEL ASSY	
5	1D	*	B62-1738-10	INSTRUCTION MANUAL	K,M2,M3
5	1D	*	B62-1738-10	INSTRUCTION MANUAL	E
5	1D	*	B62-1739-10	INSTRUCTION MANUAL	K,M2,E
5	1D	*	B62-1745-10	INSTRUCTION MANUAL	M3
5	1D	*	B62-1746-10	INSTRUCTION MANUAL	M4
5	1D	*	B62-1784-10	INSTRUCTION MANUAL	E
6	3B	*	B72-2171-04	MODEL NAME PLATE	K
6	3B	*	B72-2172-04	MODEL NAME PLATE	M2
6	3B	*	B72-2173-04	MODEL NAME PLATE	M3
6	3B	*	B72-2174-04	MODEL NAME PLATE	M4
6	3B	*	B72-2175-04	MODEL NAME PLATE	E
8	3B		E04-0167-05	RF COAXIAL RECEPTACLE (M)	K,M2,M3
8	3B		E04-0167-05	RF COAXIAL RECEPTACLE (M)	M4
9	3B		E04-0170-05	RF COAXIAL RECEPTACLE (N)	E
10	3C		E30-2111-15	DC CORD ACCESSORY	K,M2,M3
10	3C		E30-2111-15	DC CORD ACCESSORY	M4
11	3C	*	E30-3452-05	DC CORD ACCESSORY	E
12	2B	*	E30-7501-05	TNC CABLE	E
13	2B	*	E30-7512-05	DC CORD (RADIO)	K,M2,M3
13	2B	*	E30-7512-05	DC CORD (RADIO)	M4
14	2B	*	E30-7513-05	DC CORD (RADIO)	E
15	3A		E37-1082-05	SPEAKER WIRE	
16	2A	*	E37-1097-05	FLAT CABLE	
17	3C	*	F51-0024-05	FUSE (BLADE) (15A/32V)	E
18	2B		F10-2449-01	SHIELDING COVER	
20	3C		F51-0017-05	FUSE (6*30) (15A)	K,M2,M3
20	3C		F51-0017-05	FUSE (6*30) (15A)	M4
23	2B		G02-0894-04	EARTH SPRING (FINAL FET)	
24	2A	*	G10-1324-04	FIBROUS SHEET (DISPLAY UNIT)	
25	3B		G11-4127-14	RUBBER SHEET (CHASSIS)	
26	2B		G11-4240-04	RUBBER SHEET (DRIVE FET)	
27	3B		G13-1468-04	CUSHION (CHASSIS)	K,M2,M3
27	3B		G13-1468-04	CUSHION (CHASSIS)	M4
28	3A		G53-1525-03	PACKING (PANEL)	
29	2B		G53-1542-03	PACKING (PHONE JACK)	
30	1B		G53-1544-01	PACKING (SHIELDING COVER)	
31	1A		G53-1548-02	GASKET	
33	2C,1D		H12-3112-05	PACKING FIXTURE	
34	3D		H13-1190-02	CARTON BOARD	
36	1D		H25-2341-04	PROTECTION BAG	
37	2D	*	H52-1995-12	ITEM CARTON CASE	K,M2
37	2D	*	H52-2027-02	ITEM CARTON CASE	M3
37	2D	*	H52-2028-02	ITEM CARTON CASE	M4
37	2D	*	H52-2029-12	ITEM CARTON CASE	E
39	3C		J19-1584-05	MIC HOLDER ACCESSORY	
40	3D		J29-0662-03	BRACKET ACCESSORY	
42	3A	*	K29-9291-01	KEY TOP	
43	3A	*	K29-9292-03	KNOB (VOLUME)	

Ref. No.	Address	New parts	Parts No.	Description	Destination
44	3A	*	K29-9293-03	KNOB (ENCODER)	
A	2B		N67-2608-46	PAN HEAD SEMS SCREW	
B	2A		N80-2010-45	PAN HEAD TAPTITE SCREW	
C	2B,3B		N87-2606-46	BRAZIER HEAD TAPTITE SCREW	
D	1B,2B		N87-2614-46	BRAZIER HEAD TAPTITE SCREW	
46	3D		N99-0395-05	SCREW SET ACCESSORY	
48	3A		T07-0739-05	SPEAKER	
49	2C		T91-0624-05	MICROPHONE ACCESSORY	M2,M4
50	2C	*	T91-0641-05	MICROPHONE ACCESSORY	K,M3,E
DISPLAY UNIT (X54-3450-10)					
101	2A	*	B11-1809-03	ILLUMINATION GUIDE (LCD)	
102	2A	*	B38-0885-05	LCD	
D2-4			B30-2205-05	LED (YG)	
D19-30			B30-2205-05	LED (YG)	
C4			CC73GCH1H101J	CHIP C 100PF J	
C15,16			CC73GCH1H101J	CHIP C 100PF J	
C19			CK73GB1H681K	CHIP C 680PF K	
C22			CK73GB1H102K	CHIP C 1000PF K	
C24			CK73GB1C104K	CHIP C 0.10UF K	
C25			CK73GB1H102K	CHIP C 1000PF K	
C27			CK73GB1H102K	CHIP C 1000PF K	
C30			CK73GB1C104K	CHIP C 0.10UF K	
C31-33			CK73GB1H102K	CHIP C 1000PF K	
C34,35			CK73GB1H472K	CHIP C 4700PF K	
C36			CK73GB0J105K	CHIP C 1.0UF K	
C38			CK73GB1H471K	CHIP C 470PF K	
C39,40			CK73GB1C104K	CHIP C 0.10UF K	
103	2A	*	E29-1201-04	INTER CONNECTOR (LCD)	
CN1			E40-6005-05	FLAT CABLE CONNECTOR	
J1			E08-0877-05	MODULAR JACK	
104	2A	*	J21-8463-03	HARDWARE FIXTURE (LCD)	
L1			L92-0138-05	FERRITE CHIP	
CP1			R90-0724-05	MULTI-COMP 1K X4	
R8			RK73GB1J102J	CHIP R 1.0K J 1/16W	
R10			RK73GB1J122J	CHIP R 1.2K J 1/16W	
R21-23			RK73GB1J103J	CHIP R 10K J 1/16W	
R25			RK73GB1J563J	CHIP R 56K J 1/16W	
R26			RK73GB1J392J	CHIP R 3.9K J 1/16W	
R41			RK73FB2A560J	CHIP R 56 J 1/10W	
R42			RK73GB1J272J	CHIP R 2.7K J 1/16W	
R43			RK73GB1J821J	CHIP R 820 J 1/16W	
R44			RK73GB1J183J	CHIP R 18K J 1/16W	
R45			RK73GB1J333J	CHIP R 33K J 1/16W	
R46			RK73GB1J101J	CHIP R 100 J 1/16W	
R47,48			RK73GB1J473J	CHIP R 47K J 1/16W	
R49,50			RK73FB2A560J	CHIP R 56 J 1/10W	
R51-53			R92-1252-05	CHIP R 0 OHM J 1/16W	
R54			RK73FB2A560J	CHIP R 56 J 1/10W	

PARTS LIST

DISPLAY UNIT (X54-3450-10)
TX-RX UNIT (X57-685X-XX)

Ref. No.	Address	New parts	Parts No.	Description	Desti-nation	Ref. No.	Address	New parts	Parts No.	Description	Desti-nation
R55		*	R92-1252-05	CHIP R 0 OHM J 1/16W		C206			CK73GB1H681K	CHIP C 680PF K	E
VR1		*	R31-0646-05	VARIABLE RESISTOR		C207			CK73GB1C223K	CHIP C 0.022UF K	K,M2,M3
D31			1SS355	DIODE		C207			CK73GB1C223K	CHIP C 0.022UF K	M4
IC3		*	LC75854W	MOS IC		C207			CK73GB1C393K	CHIP C 0.039UF K	E
IC3			PT6554LQ	MOS IC		C208			CK73GB1H103K	CHIP C 0.010UF K	
Q6			KRC102S	DIGITAL TRANSISTOR		C209			CC73GCH1H680J	CHIP C 68PF J	
Q9			2SB1132(Q,R)	TRANSISTOR		C210			CK73GB1C104K	CHIP C 0.10UF K	
Q10			KRA225S	DIGITAL TRANSISTOR		C211			CK73GB1H821K	CHIP C 820PF K	
Q12			UMG3N	TRANSISTOR		C212			CK73GB1H122K	CHIP C 1200PF K	
S1		*	W02-3665-05	ENCODER		C213			CK73GB1H332K	CHIP C 3300PF K	
TX-RX UNIT (X57-685X-XX)											
0-10 : K 0-21 : M2 0-22 : M3 0-23 : M4 2-71 : E											
C10			CK73GB1H102K	CHIP C 1000PF K		C222			CK73GB1C104K	CHIP C 0.10UF K	
C13-20			CK73GB1H471K	CHIP C 470PF K		C225			C92-0004-05	CHIP-TAN 1.0UF 16WV	
C28			CK73GB1H221K	CHIP C 220PF K		C226			CK73GB1H472K	CHIP C 4700PF K	
C29			CK73GB1H471K	CHIP C 470PF K		C227			CK73GB1E103K	CHIP C 0.010UF K	
C30			CK73GB1H102K	CHIP C 1000PF K		C228			C92-0560-05	CHIP-TAN 10UF 6.3WV	
C33			CK73GB1H102K	CHIP C 1000PF K		C230			CK73GB1C104K	CHIP C 0.10UF K	
C34		*	CE04EQ1E331M	ELECTRO 330UF 25WV		C231,232			CK73GB1H102K	CHIP C 1000PF K	
C35-38			CK73GB1H102K	CHIP C 1000PF K		C233			C92-0507-05	CHIP-TAN 4.7UF 6.3WV	
C39,40			CK73GB1C104K	CHIP C 0.10UF K		C235			CK73GB1A105K	CHIP C 1.0UF K	
C41			C92-0795-05	CHIP-TAN 22UF 10WV		C249			C92-0507-05	CHIP-TAN 4.7UF 6.3WV	
C42			CK73GB1H103K	CHIP C 0.010UF K		C250			CK73GB1C104K	CHIP C 0.10UF K	
C43-45			C92-0795-05	CHIP-TAN 22UF 10WV		C251			C92-0714-05	CHIP-TAN 4.7UF 6.3WV	
C49,50			CK73GB1H103K	CHIP C 0.010UF K		C252			CC73GCH1H390J	CHIP C 39PF J	
C51			C92-0589-05	CHIP-TAN 47UF 6.3WV		C253,254			CK73GB1A224K	CHIP C 0.22UF K	
C52,53			CK73GB1H102K	CHIP C 1000PF K		C255			CK73GB1H822K	CHIP C 8200PF K	
C54,55			CK73GB1C104K	CHIP C 0.10UF K		C256			CK73GB1E183K	CHIP C 0.018UF K	
C56			CK73GB1H102K	CHIP C 1000PF K		C257			CK73GB1C393K	CHIP C 0.039UF K	
C61			CK73GB1H102K	CHIP C 1000PF K		C258-261			CK73GB1H103J	CHIP C 0.010UF J	
C66			CK73GB1H102K	CHIP C 1000PF K		C262			CK73GB1H102K	CHIP C 1000PF K	
C82			CK73GB1H102K	CHIP C 1000PF K		C263,264			CK73GB1C333K	CHIP C 0.033UF K	
C83			CK73GB1C104K	CHIP C 0.10UF K		C265			CK73GB1C104K	CHIP C 0.10UF K	
C87			CC73GCH1H030C	CHIP C 3.0PF C		C266			CK73GB1A105K	CHIP C 1.0UF K	
C88,89			CC73GCH1H040C	CHIP C 4.0PF C		C267			CK73GB1A474K	CHIP C 0.47UF K	
C90			CC73GCH1H030C	CHIP C 3.0PF C		C268			CK73GB1A105K	CHIP C 1.0UF K	
C97,98			CK73GB1H102K	CHIP C 1000PF K		C270			C92-0507-05	CHIP-TAN 4.7UF 6.3WV	
C101			CK73GB1H102K	CHIP C 1000PF K		C271			CK73GB1H122K	CHIP C 1200PF K	
C102			CK73GB1C104K	CHIP C 0.10UF K		C272			CK73GB1H102K	CHIP C 1000PF K	
C104			CK73GB1C104K	CHIP C 0.10UF K		C273			CK73GB1A105K	CHIP C 1.0UF K	
C128			CK73GB1H102K	CHIP C 1000PF K		C274			CK73FB1C224K	CHIP C 0.22UF K	
C151			CK73GB1H182K	CHIP C 1800PF K		C275			CK73GB1A105K	CHIP C 1.0UF K	
C152			CK73GB1H392K	CHIP C 3900PF K		C276,277			CK73GB1H102K	CHIP C 1000PF K	
C161			CK73GB1H102K	CHIP C 1000PF K		C278			CK73GB1C104K	CHIP C 0.10UF K	
C162			C92-0507-05	CHIP-TAN 4.7UF 6.3WV		C279			C92-0516-05	CHIP-TAN 4.7UF 16WV	
C163			CK73GB1H102K	CHIP C 1000PF K		C280			C92-0040-05	CHIP-ELE 47UF 16WV	
C164			C92-0560-05	CHIP-TAN 10UF 6.3WV		C281			CK73GB1H102K	CHIP C 1000PF K	
C165			CK73GB1A105K	CHIP C 1.0UF K		C282		*	CE04EQ1E331M	ELECTRO 330UF 25WV	
C201			CK73GB1C104K	CHIP C 0.10UF K		C283			CK73GB1H102K	CHIP C 1000PF K	
C202			CK73GB1H102K	CHIP C 1000PF K		C301			C92-0507-05	CHIP-TAN 4.7UF 6.3WV	
C203			CK73GB1C273K	CHIP C 0.027UF K	K,M2,M3	C302			CK73GB1H102K	CHIP C 1000PF K	
C203			CK73GB1C273K	CHIP C 0.027UF K	M4	C303			CK73GB1H472K	CHIP C 4700PF K	
C203			CK73GB1C473K	CHIP C 0.047UF K	E	C304,305			CC73GCH1H331J	CHIP C 330PF J	
C204			C92-0514-05	CHIP-TAN 2.2UF 10WV		C306			CK73GB1H102K	CHIP C 1000PF K	
C205			CK73GB1C104K	CHIP C 0.10UF K		C307			CK73GB1E223K	CHIP C 0.022UF K	
C206			CK73GB1H102K	CHIP C 1000PF K	K,M2,M3	C308			CK73GB1H102K	CHIP C 1000PF K	
C206			CK73GB1H102K	CHIP C 1000PF K	M4	C309			CK73GB1E223K	CHIP C 0.022UF K	

K,M2,M3,M4 : TM-271A
E : TM-271E

PARTS LIST

TX-RX UNIT (X57-685X-XX)

Ref. No.	Address	New parts	Parts No.	Description	Destination	Ref. No.	Address	New parts	Parts No.	Description	Destination
C310			CK73FB1C334K	CHIP C 0.33UF K		C425			C92-0001-05	CHIP C 0.1UF 35WV	
C311,312			CK73GB1C104K	CHIP C 0.10UF K		C426			CC73GCH1H300J	CHIP C 30PF J	
C313			C92-0662-05	CHIP-TAN 15UF 6.3WV		C427			CC73GCH1H080B	CHIP C 8.0PF B	
C314			CK73GB1H103K	CHIP C 0.010UF K		C428			CK73GB1H471K	CHIP C 470PF K	
C315-318			CK73GB1C104K	CHIP C 0.10UF K		C429			CC73GCH1H010B	CHIP C 1.0PF B	
C319			CK73GB1H102K	CHIP C 1000PF K		C430			CC73GCH1H4R5B	CHIP C 4.5PF B	
C321			CC73GCH1H680J	CHIP C 68PF J		C431			CC73GCH1H050B	CHIP C 5.0PF B	
C322			CC73GCH1H560J	CHIP C 56PF J		C432			CC73GCH1H0R3B	CHIP C 0.3PF B	
C323			CC73GCH1H271J	CHIP C 270PF J		C434			CC73GCH1H151J	CHIP C 150PF J	
C324			CK73GB1H103K	CHIP C 0.010UF K		C435			CC73GCH1H100C	CHIP C 10PF C	
C326			CK73GB1H103K	CHIP C 0.010UF K		C436			CC73GCH1HR75B	CHIP C 0.75PF B	
C350			CK73GB1H471K	CHIP C 470PF K		C437			CK73GB1H471K	CHIP C 470PF K	
C351			CC73GCH1H330J	CHIP C 33PF J		C438			CC73GCH1H0R5B	CHIP C 0.5PF B	
C353			CK73GB1H103K	CHIP C 0.010UF K		C439			CC73GCH1H100C	CHIP C 10PF C	
C354			CC73GCH1H4R5B	CHIP C 4.5PF B		C440			CC73GCH1H110G	CHIP C 11PF G	
C355			CC73GCH1H180J	CHIP C 18PF J		C441			CC73GCH1H0R5B	CHIP C 0.5PF B	
C356			CC73GCH1H030B	CHIP C 3.0PF B		C442			C92-0560-05	CHIP-TAN 10UF 6.3WV	
C357			CK73GB1H103K	CHIP C 0.010UF K		C444			CK73GB1H471K	CHIP C 470PF K	
C358			CK73GB1H102K	CHIP C 1000PF K		C448,449			CK73GB1H471K	CHIP C 470PF K	
C359			CC73GCH1H080B	CHIP C 8.0PF B		C450			C92-0795-05	CHIP-TAN 22UF 10WV	
C360-362			CK73GB1H102K	CHIP C 1000PF K		C451,452			CK73GB1H471K	CHIP C 470PF K	
C363			CK73GB1H103K	CHIP C 0.010UF K		C453			CK73GB1H221K	CHIP C 220PF K	
C364			CK73GB1H102K	CHIP C 1000PF K		C454			CC73GCH1H060B	CHIP C 6.0PF B	
C366			CK73GB1C104K	CHIP C 0.10UF K		C455			CC73GCH1H030B	CHIP C 3.0PF B	
C367			CC73GCH1H151J	CHIP C 150PF J		C456			CC73GCH1H020B	CHIP C 2.0PF B	
C368			CC73GCH1H270J	CHIP C 27PF J		C457			CK73GB1H102K	CHIP C 1000PF K	
C369			CC73GCH1H030B	CHIP C 3.0PF B		C458			CK73GB1H221K	CHIP C 220PF K	
C370			CK73GB1H102K	CHIP C 1000PF K		C459			CK73GB1H102K	CHIP C 1000PF K	
C371			CC73GCH1H020B	CHIP C 2.0PF B		C460			CC73GCH1H180J	CHIP C 18PF J	
C372			CK73GB1H102K	CHIP C 1000PF K		C461			CK73GB1H102K	CHIP C 1000PF K	
C373			CC73GCH1H060B	CHIP C 6.0PF B		C462			CC73GCH1H100C	CHIP C 10PF C	
C374			CC73GCH1H270J	CHIP C 27PF J		C463,464			CK73GB1H102K	CHIP C 1000PF K	
C375-379			CK73GB1H102K	CHIP C 1000PF K		C465			CC73GCH1H220J	CHIP C 22PF J	
C380			CC73GCH1H101J	CHIP C 100PF J		C466			CC73GCH1H101J	CHIP C 100PF J	
C381			CC73GCH1H4R5B	CHIP C 4.5PF B		C467			CK73GB1H102K	CHIP C 1000PF K	
C382			CC73GCH1H270J	CHIP C 27PF J		C468			CK73GB1H221K	CHIP C 220PF K	
C383			CK73GB1H102K	CHIP C 1000PF K		C471			CC73GCH1H100C	CHIP C 10PF C	
C384			CC73GCH1H020B	CHIP C 2.0PF B		C473-476			CK73GB1H102K	CHIP C 1000PF K	
C385			CC73GCH1H080B	CHIP C 8.0PF B		C501,502			CK73GB1H102K	CHIP C 1000PF K	
C386			CC73GCH1H360J	CHIP C 36PF J		C503			CC73GCH1H101J	CHIP C 100PF J	
C387			CK73GB1H102K	CHIP C 1000PF K		C504-507			CK73GB1H102K	CHIP C 1000PF K	
C388			CC73GCH1H070B	CHIP C 7.0PF B		C509			CC73GCH1H150J	CHIP C 15PF J	
C389			CK73GB1H102K	CHIP C 1000PF K		C510			CC73GCH1H080B	CHIP C 8.0PF B	
C390			CC73GCH1H090B	CHIP C 9.0PF B		C511-514			CK73GB1H102K	CHIP C 1000PF K	
C391			CC73GCH1H160G	CHIP C 16PF G		C515			CC73GCH1H270J	CHIP C 27PF J	
C400			CK73GB1C104K	CHIP C 0.10UF K		C516			CK73GB1H821K	CHIP C 820PF K	
C401-403			CC73GCH1H101J	CHIP C 100PF J		C517			CC73GCH1H030B	CHIP C 3.0PF B	
C404			C92-0662-05	CHIP-TAN 15UF 6.3WV		C518			CC73GCH1H330J	CHIP C 33PF J	
C406			CK73GB1H102K	CHIP C 1000PF K		C519			CC73GCH1H820J	CHIP C 82PF J	
C408			CC73GCH1H220J	CHIP C 22PF J		C522			CK73FB1H102K	CHIP C 1000PF K	
C409			CK73GB1C104K	CHIP C 0.10UF K		C525			CK73GB1H102K	CHIP C 1000PF K	
C410			C92-0560-05	CHIP-TAN 10UF 6.3WV		C526			CK73GB1H681K	CHIP C 680PF K	
C411			CK73GB1C104K	CHIP C 0.10UF K		C527			CK73GB1H102K	CHIP C 1000PF K	
C412			C92-0560-05	CHIP-TAN 10UF 6.3WV		C528			CK73GB1H221K	CHIP C 220PF K	
C413			CK73GB1H103K	CHIP C 0.010UF K		C529			CK73FB1H102K	CHIP C 1000PF K	
C414			CK73GB1C104K	CHIP C 0.10UF K		C530			CK73FB1C474K	CHIP C 0.47UF K	
C416-418			CK73GB1H102K	CHIP C 1000PF K		C531			C92-0719-05	CHIP-TAN 47UF 25WV	
C421,422			CK73GB1H471K	CHIP C 470PF K		C533			C93-0572-05	CHIP C 100PF J	
C423			C92-0555-05	CHIP-TAN 0.047UF 35WV		C536			CK73FB1H102K	CHIP C 1000PF K	
C424			C92-0004-05	CHIP-TAN 1.0UF 16WV		C541,542			CM73F2H120J	CHIP C 12PF J	

PARTS LIST

TX-RX UNIT (X57-685X-XX)

Ref. No.	Address	New parts	Parts No.	Description	Desti-nation	Ref. No.	Address	New parts	Parts No.	Description	Desti-nation
C543,544			CM73F2H150J	CHIP C 15PF J		L418			L41-3375-06	SMALL FIXED INDUCTOR	
C545			C93-0603-05	CHIP C 1000PF K		L419			L41-1085-06	SMALL FIXED INDUCTOR	
C546			CK73FB1C474K	CHIP C 0.47UF K		L420			L41-1585-06	SMALL FIXED INDUCTOR	
C549			CM73F2H221J	CHIP C 220PF J		L421			L41-1085-06	SMALL FIXED INDUCTOR	
C550			CM73F2H680J	CHIP C 68PF J		L422			L40-5675-92	SMALL FIXED INDUCTOR (56NH)	
C552			C93-0564-05	CHIP C 22PF J		L423			L92-0443-05	FERRITE CHIP	
C553			C93-0553-05	CHIP C 3.0PF C		L501,502			L41-6875-08	SMALL FIXED INDUCTOR	
C554			C93-0603-05	CHIP C 1000PF K		L503,504			L41-2775-06	SMALL FIXED INDUCTOR	
C555			C93-0555-05	CHIP C 5.0PF C		L505			L34-4645-05	AIR-CORE COIL	
C556			C93-0603-05	CHIP C 1000PF K		L506			L34-4693-05	AIR-CORE COIL	
C557,558			CK73GB1H103K	CHIP C 0.010UF K		L507			L34-4732-05	AIR-CORE COIL	
C559			CK73GB1C104K	CHIP C 0.10UF K		L508			L34-4669-05	AIR-CORE COIL	
C560			CK73GB1H102K	CHIP C 1000PF K		L509			L34-4667-05	AIR-CORE COIL	
C574			CK73GB1H102K	CHIP C 1000PF K		L601	*		L34-4737-05	AIR-CORE COIL	
C576			CK73GB1H221K	CHIP C 220PF K		L602-604	*		L34-4736-05	AIR-CORE COIL	
C602			C93-0561-05	CHIP C 12PF J		L605			L34-4667-05	AIR-CORE COIL	
C603			C93-0603-05	CHIP C 1000PF K		X86	*		L78-1409-05	RESONATOR (8.00MHZ)	
C605			C93-0562-05	CHIP C 15PF J		X401	*		L77-1944-05	TCXO (16.8MHZ)	
C606			CC73GCH1H0R5B	CHIP C 0.5PF B		XF351			L71-0620-05	MCF (49.95MHZ)	
C607			CC73GCH1H020B	CHIP C 2.0PF B		R1			R92-1252-05	CHIP R 0 OHM J 1/16W	
C608			C93-0565-05	CHIP C 27PF J		R2,3			RK73GB1J101J	CHIP R 100 J 1/16W	
C610			CC73GCH1H0R5B	CHIP C 0.5PF B		R4-8			RK73GB1J102J	CHIP R 1.0K J 1/16W	
C611			CC73GCH1H020B	CHIP C 2.0PF B		R31			RK73GB1J472J	CHIP R 4.7K J 1/16W	
C613			C93-0565-05	CHIP C 27PF J		R32			R92-1215-05	CHIP R 470 J 1/2W	
C614			C93-0553-05	CHIP C 3.0PF C	E	R33			RK73GB1J473J	CHIP R 47K J 1/16W	
C615			C93-0564-05	CHIP C 22PF J		R34			RK73GB1J472J	CHIP R 4.7K J 1/16W	
C616,617			CK73GB1H102K	CHIP C 1000PF K		R35			RK73GB1J473J	CHIP R 47K J 1/16W	
C623			C93-0553-05	CHIP C 3.0PF C		R36			RK73GB1J152J	CHIP R 1.5K J 1/16W	
TC401			C05-0399-05	CERAMIC TRIMMER (6PF)		R37			R92-1252-05	CHIP R 0 OHM J 1/16W	
TC402			C05-0245-05	CERAMIC TRIMMER (10PF)		R38			RK73GB1J334J	CHIP R 330K J 1/16W	
-			E11-0425-05	3.5D PHONE JACK (3P)		R39			RK73GB1J474J	CHIP R 470K J 1/16W	
-			E37-1127-05	PROCESSED LEAD WIRE		R40			RK73GB1J394J	CHIP R 390K J 1/16W	
CN1			E40-6268-05	FLAT CABLE CONNECTOR		R41			RK73GB1J334J	CHIP R 330K J 1/16W	
CN2			E40-5705-05	PIN ASSY		R61			RK73GB1J471J	CHIP R 470 J 1/16W	
CN5			E40-3246-05	PIN ASSY		R62,63			R92-1252-05	CHIP R 0 OHM J 1/16W	
F1			F53-0246-05	FUSE (4.0A/32V)		R70			RK73GB1J473J	CHIP R 47K J 1/16W	
F501			F53-0108-05	FUSE (1.8A/50V)		R81			RK73GB1J473J	CHIP R 47K J 1/16W	
CF301			L72-0993-05	CERAMIC FILTER		R82			R92-1252-05	CHIP R 0 OHM J 1/16W	
CF302			L72-0999-05	CERAMIC FILTER		R86			R92-1252-05	CHIP R 0 OHM J 1/16W	
L101			L92-0443-05	FERRITE CHIP		R87			RK73GB1J102J	CHIP R 1.0K J 1/16W	
L201			L92-0443-05	FERRITE CHIP		R91,92			RK73GB1J102J	CHIP R 1.0K J 1/16W	
L301			L34-4554-05	COIL		R93			RK73GB1J682J	CHIP R 6.8K J 1/16W	
L302			L41-3385-08	SMALL FIXED INDUCTOR		R94			RK73GB1J103J	CHIP R 10K J 1/16W	
L303,304			L40-3381-86	SMALL FIXED INDUCTOR (0.33UH)		R101,102			RK73GB1J473J	CHIP R 47K J 1/16W	
L351			L41-8285-08	SMALL FIXED INDUCTOR		R103-106			RK73GB1J102J	CHIP R 1.0K J 1/16W	
L352			L41-5685-08	SMALL FIXED INDUCTOR		R109			RK73GB1J152J	CHIP R 1.5K J 1/16W	
L354-356			L34-4612-05	AIR-CORE COIL		R110			RK73GB1J473J	CHIP R 47K J 1/16W	
L357			L34-4610-05	AIR-CORE COIL		R111			RK73GB1J102J	CHIP R 1.0K J 1/16W	
L401			L92-0443-05	FERRITE CHIP		R114			RK73GB1J473J	CHIP R 47K J 1/16W	
L403			L41-1005-08	SMALL FIXED INDUCTOR		R118			R92-1252-05	CHIP R 0 OHM J 1/16W	
L404			L92-0442-05	FERRITE CHIP		R119			R92-0670-05	CHIP R 0 OHM	K,M3,M4
L405			L92-0443-05	FERRITE CHIP		R119			R92-0670-05	CHIP R 0 OHM	E
L406,407			L40-2785-92	SMALL FIXED INDUCTOR (270NH)		R120			R92-1252-05	CHIP R 0 OHM J 1/16W	M4
L408			L40-3378-67	SMALL FIXED INDUCTOR (33NH)		R120-123			R92-1252-05	CHIP R 0 OHM J 1/16W	K
L409,410			L40-2702-86	SMALL FIXED INDUCTOR (27UH)		R121-123			R92-1252-05	CHIP R 0 OHM J 1/16W	E
L411,412			L40-2785-92	SMALL FIXED INDUCTOR (270NH)		R122,123			R92-1252-05	CHIP R 0 OHM J 1/16W	M2,M3,M4
L413			L40-4778-67	SMALL FIXED INDUCTOR (47NH)		R124-127			RK73GB1J473J	CHIP R 47K J 1/16W	
L414,415			L40-2702-86	SMALL FIXED INDUCTOR (27UH)		R151			RK73GB1J103J	CHIP R 10K J 1/16W	
L416,417			L92-0443-05	FERRITE CHIP		R152			RK73GB1J472J	CHIP R 4.7K J 1/16W	

K,M2,M3,M4 : TM-271A
E : TM-271E

PARTS LIST

TX-RX UNIT (X57-685X-XX)

Ref. No.	Address	New parts	Parts No.	Description	Destination	Ref. No.	Address	New parts	Parts No.	Description	Destination
R161			RK73GB1J122J	CHIP R 1.2K J 1/16W		R271			RK73GB1J332J	CHIP R 3.3K J 1/16W	
R162			RK73GB1J152J	CHIP R 1.5K J 1/16W		R272			RK73GB1J392J	CHIP R 3.9K J 1/16W	
R164-166			RK73GB1J102J	CHIP R 1.0K J 1/16W		R273			RK73GB1J123J	CHIP R 12K J 1/16W	
R200			RK73GB1J681J	CHIP R 680 J 1/16W		R274,275			RK73GB1J153J	CHIP R 15K J 1/16W	
R203			RK73GB1J104J	CHIP R 100K J 1/16W		R276			RK73GB1J473J	CHIP R 47K J 1/16W	
R204			RK73GB1J103J	CHIP R 10K J 1/16W	E	R277			RK73GB1J683J	CHIP R 68K J 1/16W	
R204			RK73GB1J183J	CHIP R 18K J 1/16W	K,M2,M3	R278			RK73GB1J123J	CHIP R 12K J 1/16W	
R204			RK73GB1J183J	CHIP R 18K J 1/16W	M4	R279			RK73GB1J472J	CHIP R 4.7K J 1/16W	
R205			RK73GB1J821J	CHIP R 820 J 1/16W		R280			RK73GB1J391J	CHIP R 390 J 1/16W	
R206			RK73GB1J101J	CHIP R 100 J 1/16W		R281			R92-0670-05	CHIP R 0 OHM	
R207			RK73GB1J105J	CHIP R 1.0M J 1/16W	E	R301,302			RK73GB1J472J	CHIP R 4.7K J 1/16W	
R207			RK73GB1J754J	CHIP R 750K J 1/16W	K,M2,M3	R303			RK73GB1J223J	CHIP R 22K J 1/16W	
R207			RK73GB1J754J	CHIP R 750K J 1/16W	M4	R304			RK73GB1J472J	CHIP R 4.7K J 1/16W	
R208			RK73GB1J152J	CHIP R 1.5K J 1/16W		R305			RK73GB1J182J	CHIP R 1.8K J 1/16W	
R209			RK73GB1J244J	CHIP R 240K J 1/16W		R306			RK73GB1J274J	CHIP R 270K J 1/16W	
R210			RK73GB1J183J	CHIP R 18K J 1/16W		R308			RK73GB1J334J	CHIP R 330K J 1/16W	
R211,212			RK73GB1J823J	CHIP R 82K J 1/16W		R309			RK73GB1J332J	CHIP R 3.3K J 1/16W	
R213			RK73GB1J334J	CHIP R 330K J 1/16W		R310			RK73GB1J102J	CHIP R 1.0K J 1/16W	
R214,215			RK73GB1J683J	CHIP R 68K J 1/16W		R311			RK73GB1J333J	CHIP R 33K J 1/16W	
R216			RK73GB1J274J	CHIP R 270K J 1/16W		R312			RK73GB1J473J	CHIP R 47K J 1/16W	
R217			RK73GB1J224J	CHIP R 220K J 1/16W		R313			RK73GB1J104J	CHIP R 100K J 1/16W	
R218			RK73GB1J823J	CHIP R 82K J 1/16W		R314			RK73GB1J222J	CHIP R 2.2K J 1/16W	
R219			RK73GB1J124J	CHIP R 120K J 1/16W		R315			RK73GB1J183J	CHIP R 18K J 1/16W	
R220,221			RK73GH1J153D	CHIP R 15K D 1/16W		R316			RK73GB1J223J	CHIP R 22K J 1/16W	
R222			RK73GB1J103J	CHIP R 10K J 1/16W		R317-320			RK73GB1J103J	CHIP R 10K J 1/16W	
R224			RK73GB1J561J	CHIP R 560 J 1/16W		R321			RK73GB1J223J	CHIP R 22K J 1/16W	
R225			RK73GB1J154J	CHIP R 150K J 1/16W		R322			RK73GB1J101J	CHIP R 100 J 1/16W	
R226			RK73GB1J104J	CHIP R 100K J 1/16W		R323			RK73GB1J124J	CHIP R 120K J 1/16W	
R227			RK73GB1J223J	CHIP R 22K J 1/16W		R324			R92-1252-05	CHIP R 0 OHM J 1/16W	
R228			RK73GB1J103J	CHIP R 10K J 1/16W		R325			RK73GB1J333J	CHIP R 33K J 1/16W	
R229			RK73GB1J684J	CHIP R 680K J 1/16W		R349			RK73GB1J473J	CHIP R 47K J 1/16W	
R230			RK73GB1J224J	CHIP R 220K J 1/16W		R350			RK73GB1J273J	CHIP R 27K J 1/16W	
R231			RK73GB1J124J	CHIP R 120K J 1/16W		R351			RK73GB1J471J	CHIP R 470 J 1/16W	
R232			RK73GB1J912J	CHIP R 9.1K J 1/16W		R352			RK73GB1J101J	CHIP R 100 J 1/16W	
R233			RK73GB1J682J	CHIP R 6.8K J 1/16W		R353			RK73GB1J104J	CHIP R 100K J 1/16W	
R234			R92-1252-05	CHIP R 0 OHM J 1/16W		R354			RK73GB1J331J	CHIP R 330 J 1/16W	
R236			RK73GB1J103J	CHIP R 10K J 1/16W		R355			RK73GB1J471J	CHIP R 470 J 1/16W	
R237			R92-1252-05	CHIP R 0 OHM J 1/16W		R356			RK73GB1J102J	CHIP R 1.0K J 1/16W	
R246			RK73GB1J154J	CHIP R 150K J 1/16W		R358			RK73GB1J221J	CHIP R 220 J 1/16W	
R247			RK73GB1J124J	CHIP R 120K J 1/16W		R359			RK73GB1J224J	CHIP R 220K J 1/16W	
R248			RK73GB1J562J	CHIP R 5.6K J 1/16W		R360			RK73GB1J474J	CHIP R 470K J 1/16W	
R249			RK73GB1J153J	CHIP R 15K J 1/16W		R361			RK73GB1J181J	CHIP R 180 J 1/16W	
R250			RK73GB1J123J	CHIP R 12K J 1/16W		R362			RK73GB1J474J	CHIP R 470K J 1/16W	
R251			RK73GB1J473J	CHIP R 47K J 1/16W		R363			RK73GB1J334J	CHIP R 330K J 1/16W	
R252			RK73GB1J474J	CHIP R 470K J 1/16W		R364			R92-1252-05	CHIP R 0 OHM J 1/16W	
R253			R92-1252-05	CHIP R 0 OHM J 1/16W		R365			RK73GB1J104J	CHIP R 100K J 1/16W	
R254			RK73GB1J272J	CHIP R 2.7K J 1/16W		R366			RK73GB1J471J	CHIP R 470 J 1/16W	
R255,256			RK73GB1J562J	CHIP R 5.6K J 1/16W		R367			RK73GB1J101J	CHIP R 100 J 1/16W	
R257			RK73GB1J105J	CHIP R 1.0M J 1/16W		R368			RK73GB1J104J	CHIP R 100K J 1/16W	
R258			RK73GB1J272J	CHIP R 2.7K J 1/16W		R369			R92-1252-05	CHIP R 0 OHM J 1/16W	
R259			RK73GB1J123J	CHIP R 12K J 1/16W		R370			RK73GB1J560J	CHIP R 56 J 1/16W	
R260			RK73GB1J224J	CHIP R 220K J 1/16W		R371			RK73GB1J393J	CHIP R 39K J 1/16W	
R261			RK73GB1J124J	CHIP R 120K J 1/16W		R372,373			RK73GB1J473J	CHIP R 47K J 1/16W	
R262			RK73GB1J183J	CHIP R 18K J 1/16W		R374			RK73GB1J273J	CHIP R 27K J 1/16W	
R263			RK73GH1J913D	CHIP R 91K D 1/16W		R375,376			RK73GB1J104J	CHIP R 100K J 1/16W	
R264			RK73GH1J124D	CHIP R 120K D 1/16W		R379			RK73GB1J104J	CHIP R 100K J 1/16W	
R265			RK73GH1J562D	CHIP R 5.6K D 1/16W		R401-403			RK73GB1J102J	CHIP R 1.0K J 1/16W	
R266			RK73GB1J562J	CHIP R 5.6K J 1/16W		R404			RK73GB1J103J	CHIP R 10K J 1/16W	
R268			RK73GB1J102J	CHIP R 1.0K J 1/16W		R406			RK73GB1J103J	CHIP R 10K J 1/16W	
R269			RK73GB1J393J	CHIP R 39K J 1/16W		R407			RK73GB1J152J	CHIP R 1.5K J 1/16W	

PARTS LIST

TX-RX UNIT (X57-685X-XX)

Ref. No.	Address	New parts	Parts No.	Description	Destination	Ref. No.	Address	New parts	Parts No.	Description	Destination
R408			RK73GB1J100J	CHIP R 10 J 1/16W		R532,533			R92-1252-05	CHIP R 0 OHM J 1/16W	
R409			RK73GB1J104J	CHIP R 100K J 1/16W		R601,602			RK73GB1J223J	CHIP R 22K J 1/16W	
R410			RK73GB1J822J	CHIP R 8.2K J 1/16W		R605			RK73GB1J153J	CHIP R 15K J 1/16W	
R411			RK73GB1J562J	CHIP R 5.6K J 1/16W		R606			RK73GB1J221J	CHIP R 220 J 1/16W	
R412,413			RK73GB1J103J	CHIP R 10K J 1/16W		R607			RK73GB1J331J	CHIP R 330 J 1/16W	
R414			RK73GB1J471J	CHIP R 470 J 1/16W		R800			R92-1061-05	JUMPER	
R415			R92-1252-05	CHIP R 0 OHM J 1/16W		VR601			R12-6427-05	TRIMMING POT. (47K/12)	
R416			RK73GB1J471J	CHIP R 470 J 1/16W		D1-6			DA221	DIODE	
R417			RK73GB1J224J	CHIP R 220K J 1/16W		D31			ZSH5MA27	SURGE ABSORBER	
R418			RK73GB1J102J	CHIP R 1.0K J 1/16W		D32			1812L110PR	VARIATOR	
R419			RK73GB1J272J	CHIP R 2.7K J 1/16W		D61			02DZ18(X,Y)	ZENER DIODE	
R420			RK73GB1J102J	CHIP R 1.0K J 1/16W		D62			MA2S077	DIODE	
R421			RK73GB1J152J	CHIP R 1.5K J 1/16W		D201			DAN222	DIODE	
R422			RK73GB1J103J	CHIP R 10K J 1/16W		D202			1SS372	DIODE	
R423			RK73GB1J221J	CHIP R 220 J 1/16W		D251			MA742	DIODE	
R424			RK73GB1J101J	CHIP R 100 J 1/16W		D301			MA742	DIODE	
R425,426			RK73GB1J473J	CHIP R 47K J 1/16W		D302,303			DAN222	DIODE	
R427			RK73GB1J104J	CHIP R 100K J 1/16W		D351-354			HVC376B	VARIABLE CAPACITANCE DIODE	
R428			RK73GB1J473J	CHIP R 47K J 1/16W		D401			MA2S111	DIODE	
R429			RK73GB1J271J	CHIP R 270 J 1/16W		D402			HZU5ALL	DIODE	
R430			RK73GB1J221J	CHIP R 220 J 1/16W		D403-406			MA2S304	VARIABLE CAPACITANCE DIODE	
R431			RK73GB1J104J	CHIP R 100K J 1/16W		D407			1SV278	VARIABLE CAPACITANCE DIODE	
R432			RK73GB1J102J	CHIP R 1.0K J 1/16W		D408			MA2S111	DIODE	
R433			RK73GB1J472J	CHIP R 4.7K J 1/16W		D409			DAN235E	DIODE	
R434			R92-1252-05	CHIP R 0 OHM J 1/16W		D501			1SS355	DIODE	
R435			RK73GB1J101J	CHIP R 100 J 1/16W		D502			DA221	DIODE	
R436			RK73GB1J124J	CHIP R 120K J 1/16W		D503			02DZ5.1(Y)	ZENER DIODE	
R437			RK73GB1J102J	CHIP R 1.0K J 1/16W		D602			MA4PH633	DIODE	
R438			RK73GB1J223J	CHIP R 22K J 1/16W		D603			XB15A709	DIODE	
R439			RK73GB1J473J	CHIP R 47K J 1/16W		D605			XB15A709	DIODE	
R440-442			RK73GB1J101J	CHIP R 100 J 1/16W		D606,607			MA742	DIODE	
R443			RK73GB1J222J	CHIP R 2.2K J 1/16W		D608			1SS355	DIODE	
R444			RK73GB1J102J	CHIP R 1.0K J 1/16W		IC31			KIA7808AF	ANALOG IC	
R501			RK73GB1J102J	CHIP R 1.0K J 1/16W		IC32,33			NJM78L05UA	BI-POLAR IC	
R502			RK73GB1J271J	CHIP R 270 J 1/16W		IC34		*	BD4732G	MOS IC	
R503			RK73GB1J180J	CHIP R 18 J 1/16W		IC35			BD4740G	MOS IC	
R504			RK73GB1J271J	CHIP R 270 J 1/16W		IC66			AT24C64A10SI18	ROM IC	
R505			RK73GB1J222J	CHIP R 2.2K J 1/16W		IC66		*	CAT24WC64JI	ROM IC	
R506			RK73GB1J103J	CHIP R 10K J 1/16W		IC101		*	30622MAA-B85GP	MPU	
R507			RK73GB1J100J	CHIP R 10 J 1/16W		IC161			M62363FP	MOS IC	
R509			RK73GB1J220J	CHIP R 22 J 1/16W		IC201			NJM2100V	MOS IC	
R510			RK73GB1J152J	CHIP R 1.5K J 1/16W		IC202		*	BA10358FV	MOS IC	
R511			RK73FB2A470J	CHIP R 47 J 1/10W		IC203		*	BA10324AFV	MOS IC	
R512			RK73FB2A100J	CHIP R 10 J 1/10W		IC204,205		*	BU4S66	MOS IC	
R513			RK73FB2A222J	CHIP R 2.2K J 1/10W		IC251		*	BA10324AFV	MOS IC	
R514			R92-1217-05	CHIP R 0 OHM		IC252	2B		LA4600	BI-POLAR IC	
R516			R92-0670-05	CHIP R 0 OHM		IC301			TK14489V	BI-POLAR IC	
R518			RK73EB2B330J	CHIP R 33 J 1/8W		IC401			MB15A02	MOS IC	
R519			RK73GB1J333J	CHIP R 33K J 1/16W		IC402			UPB1509GV	BI-POLAR IC	
R520			RK73GB1J183J	CHIP R 18K J 1/16W		IC501			TA75W01FU	MOS IC	
R521			RK73GB1J101J	CHIP R 100 J 1/16W		Q31			2SA1641(S,T)	TRANSISTOR	
R522			RK73EB2B331J	CHIP R 330 J 1/8W		Q32			KRC102S	DIGITAL TRANSISTOR	
R523			RK73GB1J393J	CHIP R 39K J 1/16W		Q33			2SA1745(6,7)	TRANSISTOR	
R524			R92-1215-05	CHIP R 470 J 1/2W		Q34			KRC102S	DIGITAL TRANSISTOR	
R525			RK73GB1J563J	CHIP R 56K J 1/16W		Q35			KTA1664(Y)	TRANSISTOR	
R526			R92-1261-05	CHIP R 150 J 1/2W		Q36			KRC102S	DIGITAL TRANSISTOR	
R527			RK73GB1J224J	CHIP R 220K J 1/16W		Q61			KRC404RTK	DIGITAL TRANSISTOR	
R528,529			RK73GB1J471J	CHIP R 470 J 1/16W		Q86,87			2SK1830	FET	
R530			RK73GB1J102J	CHIP R 1.0K J 1/16W		Q201			2SC4919	TRANSISTOR	
R531			RK73GB1J473J	CHIP R 47K J 1/16W							

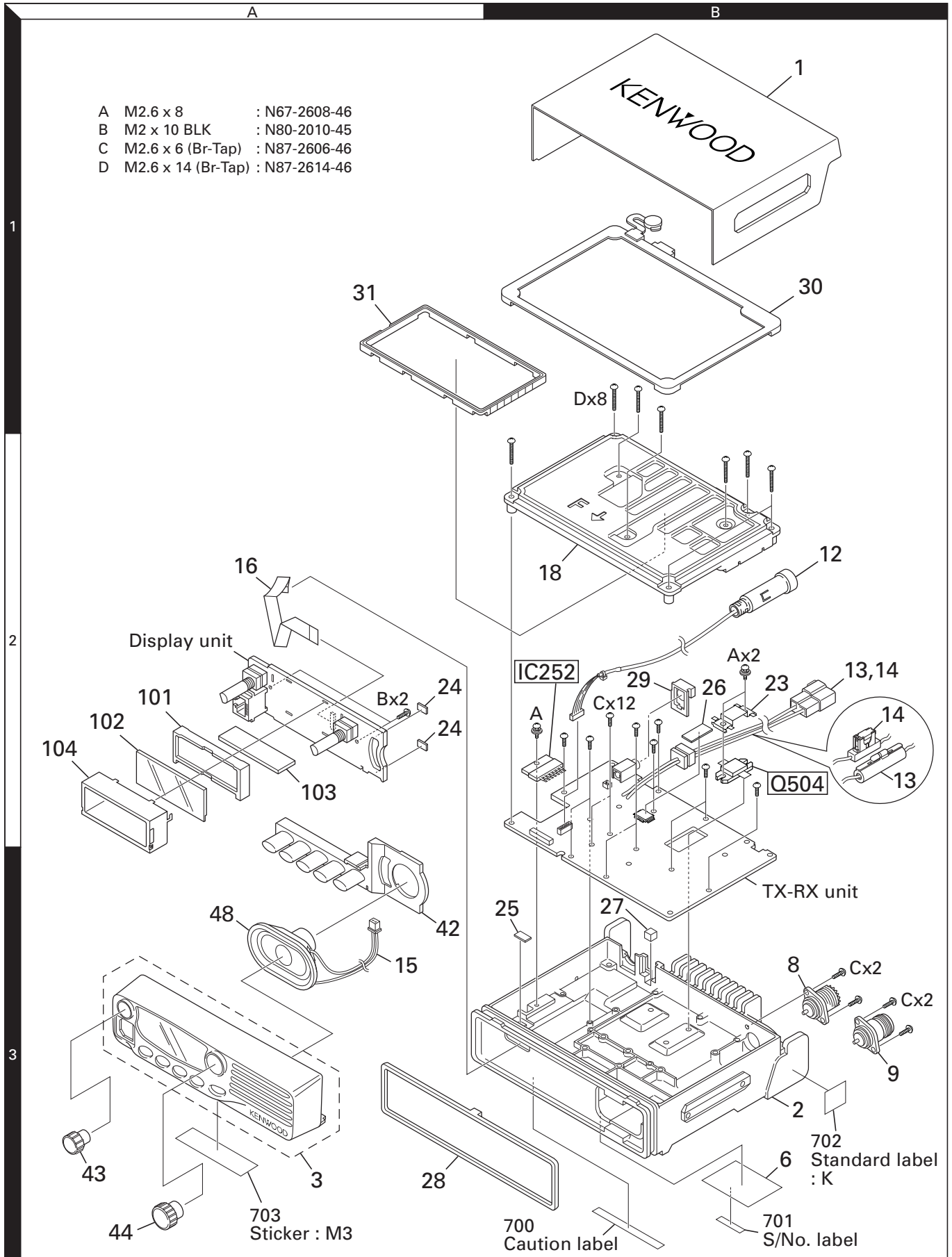
TM-271A/271E

PARTS LIST

TX-RX UNIT (X57-685X-XX)

Ref. No.	Address	New parts	Parts No.	Description	Destination	Ref. No.	Address	New parts	Parts No.	Description	Destination
Q251			2SC2412K	TRANSISTOR							
Q252,253			2SK3019	FET							
Q254			DTC363EU	DIGITAL TRANSISTOR							
Q255			KRC102S	DIGITAL TRANSISTOR							
Q301,302			2SC2412K	TRANSISTOR							
Q351		*	2SC5488	TRANSISTOR							
Q352,353			3SK318	FET							
Q354			2SK1830	FET							
Q402			2SA1832(GR)	TRANSISTOR							
Q403			2SC4738(GR)	TRANSISTOR							
Q404			2SC4649(N,P)	TRANSISTOR							
Q405,406			2SK508NV(K52)	FET							
Q407			2SJ347	FET							
Q408			KRX102U	TRANSISTOR							
Q410			2SC5108(Y)	TRANSISTOR							
Q411			2SC4649(N,P)	TRANSISTOR							
Q440			2SC2412K	TRANSISTOR							
Q501,502			2SC3357	TRANSISTOR							
Q503			PD55003TR	DRIVE FET							
Q504	2B		RD70HVF1-01	FINAL FET							
TH97,98		*	NCP18WF104J03	THERMISTOR							
TH301		*	NCP18WF104J03	THERMISTOR							

EXPLODED VIEW



Parts with the exploded numbers larger than 700 are not supplied.

PACKING

