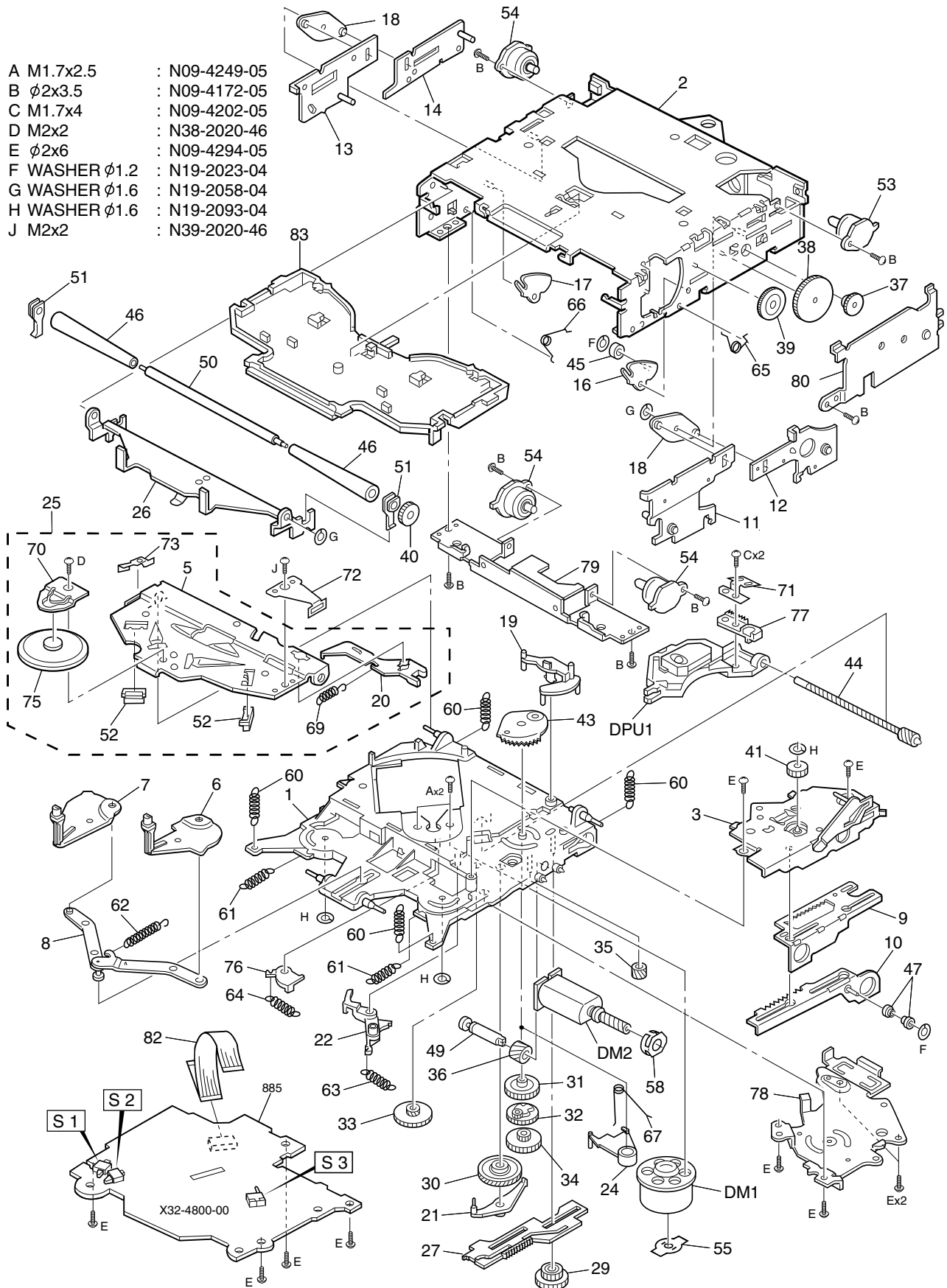


EXPLODED VIEW (MECHANISM)

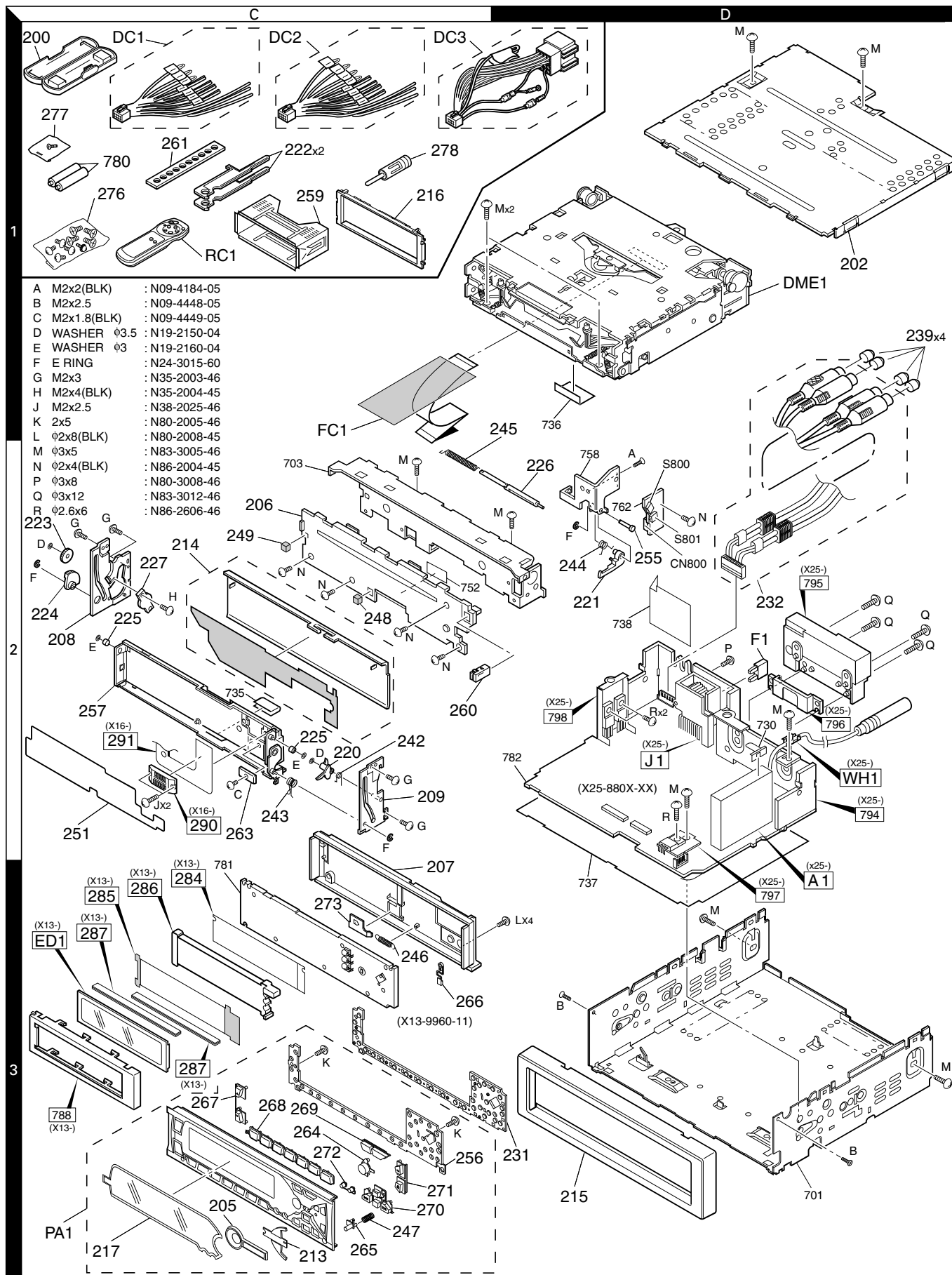
- | | | | |
|---|-------------|---|-------------|
| A | M1.7x2.5 | : | N09-4249-05 |
| B | φ2x3.5 | : | N09-4172-05 |
| C | M1.7x4 | : | N09-4202-05 |
| D | M2x2 | : | N38-2020-46 |
| E | φ2x6 | : | N09-4294-05 |
| F | WASHER φ1.2 | : | N19-2023-04 |
| G | WASHER φ1.6 | : | N19-2058-04 |
| H | WASHER φ1.6 | : | N19-2093-04 |
| J | M2x2 | : | N39-2020-46 |



Parts with the exploded numbers larger than 700 are not supplied.

KDC-MP6090R/MP7018/MP8017

EXPLODED VIEW (UNIT)



KDC-MP6090R/MP7018/MP8017

PARTS LIST

* New Parts

Parts without **Parts No.** are not supplied.

Les articles non mentionnes dans le **Parts No.** ne sont pas fournis.

Teile ohne **Parts No.** werden nicht geliefert.

Ref. No.	A d d	N e w	Parts No.	Description	Dest inati on
KDC-MP6090R/MP7018/MP8017					
200	1C		A02-1497-03	PLASTIC CABINET ASSY	
202	1D	*	A52-0779-02	TOP PLATE	
205	3C		A21-4073-03	DRESSING PANEL	
206	2C	*	A22-2853-23	SUB PANEL ASSY	
207	3C		A46-1692-01	REAR COVER	
208	2C	*	A50-1019-04	SIDE PLATE ASSY (L)	
209	2C	*	A50-1022-04	SIDE PLATE ASSY (R)	
PA1	3C	*	A64-2266-02	PANEL ASSY	K
PA1	3C	*	A64-2267-02	PANEL ASSY	M
PA1	3C	*	A64-2268-02	PANEL ASSY	E
RC1	1C		A70-0883-05	REMOTE CONTROLLER ASSY(RC-500)	M
213	3C	*	B03-3071-03	DRESSING PLATE	
214	2C	*	B03-3075-02	DRESSING PLATE (BLK)	
215	3D	*	B07-3007-03	ESCUTCHEON ASSY (BLK)	
216	1C	*	B07-3010-02	ESCUTCHEON (J CAR BLK)	KM
217	3C	*	B10-4033-01	FRONT GLASS	K
217	3C	*	B10-4034-01	FRONT GLASS	M
217	3C	*	B10-4035-01	FRONT GLASS	E
-			B46-0100-50	WARRANTY CARD	
-			B46-0606-04	ID CARD	K
-			B46-0612-14	ID CARD	M
-			B46-0632-04	ID CARD	E
-			B58-1376-04	CAUTION CARD	
-		*	B64-1870-00	INST. MANUAL (ENGLISH)	E
-		*	B64-1871-00	INST. MANUAL (FRE,GER,DUT)	E
-		*	B64-1872-00	INST. MANUAL (ITA,SPA,POR)	E
-		*	B64-1879-00	INST. MANUAL (ENG,FRE,SPA)	K
-		*	B64-1880-00	INST. MANUAL (ENG,CHI)	M
220	2C	*	D10-4557-04	LEVER (SRT POSITION SW)	
221	2D	*	D10-4558-04	ARM (RELEASE)	
222	1C	*	D10-4562-04	LEVER	
223	2C	*	D13-2117-04	GEAR (IDOL)	
224	2C	*	D13-2118-04	GEAR (ARM)	
225	2C		D14-0751-04	ROLLER (PANEL)	
226	2D		D14-0752-03	ROLLER (FPC)	
227	2C		D39-0244-05	DAMPER	
231	3D		E29-1824-02	CONDUCTIVE RUBBER (KEY)	
232	2D	*	E30-4935-05	CORD WITH PINPLUG	
CN800	2D		E41-0070-05	SOCKET FOR PIN ASSY (4P)	
DC1	1C		E30-4940-05	DC CORD	K
DC2	1C		E30-4939-05	DC CORD	M
DC3	1C		E30-4943-05	DC CORD	E
FC1	1C	*	E39-0375-05	FLAT CABLE	
239	1D		F29-0049-05	INSULATING COVER	
F1	2D		F52-0006-05	FUSE(MINI BLADE TYPE) (10A)	
F1	2D		F52-0011-05	FUSE(MINI BLADE TYPE) (10A)	
242	2C	*	G01-3057-04	TORSION COIL SPRING (SW LEVER)	
243	2C	*	G01-3058-04	TORSION COIL SPRING (MAIN)	
244	2D	*	G01-3059-04	TORSION COIL SPRING (RELEASE)	
245	1D	*	G01-3060-04	TORSION COIL SPRING (FPC ROLL)	
246	3C	*	G01-3069-04	EXTENSION SPRING (LOCK)	

Ref. No.	A d d	N e w	Parts No.	Description	Dest inati on
247	3C	*	G01-3070-04	COMPRESSION SPRING (RELEASE)	
248	2C	*	G11-1919-04	CUSHION (SUB PANEL MIDDLE)	
249	2C	*	G11-1920-24	CUSHION (SUB PANEL LEFT)	
251	2C	*	G16-1178-04	SHEET (CAUTION)	
-		*	H10-4763-12	POLYSTYRENE FOAMED FIXTURE	E
-		*	H10-4764-12	POLYSTYRENE FOAMED FIXTURE	KM
-			H25-0329-04	PROTECTION BAG (280X450X0.03)	
-			H25-0337-04	PROTECTION BAG (180X300X0.03)	
-			H25-1108-04	PROTECTION BAG (100X300X0.03)	
-		*	H54-1999-03	ITEM CARTON CASE	E
-		*	H54-2010-03	ITEM CARTON CASE	K
-		*	H54-2014-03	ITEM CARTON CASE	M
255	2D	*	J12-1156-04	PIN (RELEASE)	
256	3C	*	J19-5036-02	HOLDER	
257	2C	*	J21-9613-12	MOUNTING HARDWARE ASSY (PANEL)	
259	1C	*	J21-9641-13	MOUNTING HARDWARE ASSY	
260	2C		J52-0604-05	PUSH LATCH	
261	1C		J54-0606-04	STAY	KM
263	2C	*	J90-0999-04	GUIDE (PANEL MECHA)	
264	3C		K24-3647-04	KNOB (DB)	
265	3C		K24-3648-04	KNOB (RELEASE)	
266	3C		K24-3658-04	KNOB (RELEASE2)	
267	3C		K25-1222-03	KNOB (VOL)	
268	3C		K25-1223-03	KNOB (PRESET)	
269	3C		K25-1224-03	KNOB (SRC)	
270	3C		K25-1225-03	KNOB (FM,AM)	
271	3C		K25-1226-03	KNOB (EJECT)	
272	3C		K25-1227-03	KNOB (DISP)	
273	3C		K29-7017-03	KNOB (LOCK)	
276	1C		N99-1700-05	SCREW SET	KM
277	1C		N99-1704-05	SCREW SET	
A	2D		N09-4184-05	MACHINE SCREW (M2X2 BLK)	
B	3D		N09-4448-05	MACHINE SCREW (M2X2.5)	
C	2C		N09-4449-05	MACHINE SCREW (M2X1.8 BLK)	
D	2C		N19-2150-04	FLAT WASHER (1.6X3.5X0.25)	
E	2C		N19-2160-04	FLAT WASHER (1.2X3.0X0.25)	
F	2C		N24-3015-60	E TYPE RETAINING RING	
G	2C		N35-2003-46	BINDING HEAD MACHINE SCREW	
H	2C		N35-2004-45	BINDING HEAD MACHINE SCREW	
J	2C		N38-2025-46	PAN HEAD MACHIN SCREW	
K	3C		N80-2005-46	PAN HEAD TAPTITE SCREW	
L	3D		N80-2008-45	PAN HEAD TAPTITE SCREW	
M	1D		N83-3005-46	PAN HEAD TAPTITE SCREW	
N	2C		N86-2004-45	BINDING HEAD TAPTITE SCREW	
S800,801	2D		S68-0830-05	PUSH SWITCH	
278	1C		T90-0523-05	ANTENNA ADAPTOR	E
278	1C		T90-0534-05	ANTENNA ADAPTOR	E
DME1	1D		X92-4190-00	MECHANISM ASSY (DXM-1760)	
SWITCH UNIT (X13-9960-11)					
284	3C	*	B11-1347-04	REFLECTION SHEET	
285	3C	*	B11-1324-04	OPTICAL DIFFUSER	
286	3C	*	B19-2062-03	LIGHTING BOARD	

E : KDC-MP6090R M : KDC-MP7018 K : KDC-MP8017

△ indicates safety critical components.

KDC-MP6090R/MP7018/MP8017

PARTS LIST

* New Parts

Parts without **Parts No.** are not supplied.

Les articles non mentionnes dans le **Parts No.** ne sont pas fournis.

Teile ohne **Parts No.** werden nicht geliefert.

SWITCH UNIT (X13-9960-11)

Ref. No.	A d d	N e w	Parts No.	Description	Dest inati on
D2 -4 D5 -22 D23 ED1		3C	B30-1571-05 B30-1605-05 B30-1564-05 B38-1052-05	LED(WHITE) LED(2COLOR PG/RED) LED(1608,BLUE) LIQUID CRYSTAL	
C1 C2 -5 C2 -5 C6 ,7 C8 -11			CC73GCH1H681J CK73GB1C104K CK73GB1H104K CK73EB1C225K CK73GB1H103K	CHIP C 680PF J CHIP C 0.10UF K CHIP C 0.10UF K CHIP C 2.2UF K CHIP C 0.010UF K	
287 J1		3C	E29-1596-04 E59-0835-05	CONDUCTIVE RUBBER RECTANGULAR PLUG (15P)	
CP1 CP2 ,3 R1 R2 -5 R6			R90-1016-05 R90-0724-05 RK73GB1J433J RK73GB1J222J RK73GB1J102J	MULTI-COMP 470 X4 MULTI-COMP 1K X4 CHIP R 43K J 1/16W CHIP R 2.2K J 1/16W CHIP R 1.0K J 1/16W	
R7 ,8 R9 R10 R11 R12			RK73GB1J223J RK73FB2A101J RK73GB1J102J RK73FB2A4R7J RK73GB1J751J	CHIP R 22K J 1/16W CHIP R 100 J 1/10W CHIP R 1.0K J 1/16W CHIP R 4.7 J 1/10W CHIP R 750 J 1/16W	
R13 R15 ,16 R17 -21 R22 R23			RK73GB1J102J RK73GB1J103J RK73EB2B331J RK73EB2B511J RK73EB2B361J	CHIP R 1.0K J 1/16W CHIP R 10K J 1/16W CHIP R 330 J 1/8W CHIP R 510 J 1/8W CHIP R 360 J 1/8W	
R24 R25 ,26			RK73EB2B331J RK73FB2A122J	CHIP R 330 J 1/8W CHIP R 1.2K J 1/10W	
D1 IC1 IC2 Q1 Q1			MA3091-M LC75808W RS-171 DTA114EUA KRA302	ZENER DIODE MOS-IC ANALOGUE IC DIGITAL TRANSISTOR DIGITAL TRANSISTOR	
Q3 ,4 Q5 Q5 Q6 Q6			2SD2114K 2SC2412K 2SD601A DTA114EUA KRA302	TRANSISTOR TRANSISTOR TRANSISTOR DIGITAL TRANSISTOR DIGITAL TRANSISTOR	
Q7			DTC143ZK	DIGITAL TRANSISTOR	
SUB-CIRCUIT UNIT (X16-1180-10)					
290	2C		E58-0903-05	RECTANGULAR RECEPTACLE (15P)	
291	2C		J84-0121-12	FLEXIBLE PRINTED WIRING BOARD	
ELECTRIC UNIT (X25-880X-XX)					
C1 ,2 C13 -16 C17 ,18 C21 ,22 C23 ,24			C90-2606-05 C90-5296-05 C90-2597-05 C90-2597-05 C90-2606-05	ELECTRO 0.47UF 50WV NP-ELECT 0.22UF 50WV ELECTRO 10UF 16WV ELECTRO 10UF 16WV ELECTRO 0.47UF 50WV	
C25 C33 ,34 C41 C42			CE04CW1A470M CK73FB1H104K CK73GB1A474K CC73GCH1H151J	ELECTRO 47UF 10WV CHIP C 0.10UF K CHIP C 0.47UF K CHIP C 150PF J	

Ref. No.	A d d	N e w	Parts No.	Description	Dest inati on
C43 C43 C44 C51 C52			CK73GB1E333K CK73GB1H333K CK73GB1H103K CK73GB1H222K C90-5315-05	CHIP C 0.033UF K CHIP C 0.033UF K CHIP C 0.010UF K CHIP C 2200PF K ELECTRO 3300UF 16WV	
C53 C54 C55 C56 C57			CK73GB1H103K C90-2594-05 C90-2866-05 CE04CW0J101M CK73FB1C105K	CHIP C 0.010UF K ELECTRO 10UF 10WV ELECTRO 220UF 16WV ELECTRO 100UF 6.3WV CHIP C 1.0UF K	
C58 C61 -64 C65 C66 C67			CE04CW1A221M C90-5244-05 CK73GB1H222K C90-2962-05 C90-2597-05	ELECTRO 220UF 10WV ELECTRO 56UF 25WV CHIP C 2200PF K ELECTRO 100UF 16WV ELECTRO 10UF 16WV	
C68 C69 C71 C72 C72			CE04CW1A101M C90-2962-05 CK73GB1H103K CK73GB1E223K CK73GB1H223K	ELECTRO 100UF 10WV ELECTRO 100UF 16WV CHIP C 0.010UF K CHIP C 0.022UF K CHIP C 0.022UF K	E
C73 C74 C75 C75 C76			C90-2608-05 C90-2602-05 CK73GB1C683K CK73GB1H683K C90-2598-05	ELECTRO 1.0UF 50WV ELECTRO 0.10UF 50WV CHIP C 0.068UF K CHIP C 0.068UF K ELECTRO 3.3UF 25WV	
C77 C78 -80 C83 -90 C83 -90 C91			CK73GB1H102K CK73GB1H103K CK73GB1E473K CK73GB1H473K C90-2606-05	CHIP C 1000PF K CHIP C 0.010UF K CHIP C 0.047UF K CHIP C 0.047UF K ELECTRO 0.47UF 50WV	
C92 C94 C95 C95 C96			CE04CW1C220M C90-2608-05 CK73GB1C104K CK73GB1H104K CK73GB1H222K	ELECTRO 22UF 16WV ELECTRO 1.0UF 50WV CHIP C 0.10UF K CHIP C 0.10UF K CHIP C 2200PF K	
C101 C103 C104 C105,106 C105,106			C90-2610-05 CE04CW1A470M CK73GB1H103K CK73GB1C104K CK73GB1H104K	ELECTRO 2.2UF 50WV ELECTRO 47UF 10WV CHIP C 0.010UF K CHIP C 0.10UF K CHIP C 0.10UF K	
C112 C114 C120 C121 C135			CK73GB1H103K CE04CW1A470M CK73GB1H103K CK73GB1A224K CK73GB1H103K	CHIP C 0.010UF K ELECTRO 47UF 10WV CHIP C 0.010UF K CHIP C 0.22UF K CHIP C 0.010UF K	E
C136 C137 C138 C139,140 C151			C90-2594-05 CC73GCH1H331J C90-2594-05 CC73GCH1H100D CK73GB1H103K	ELECTRO 10UF 10WV CHIP C 330PF J ELECTRO 10UF 10WV CHIP C 10PF D CHIP C 0.010UF K	E E E E
C154-157 C201 C202 C203 C204			CK73GB1H103K CK73GB1H103K CE04CW0J470M CK73GB0J105K CC73GCH1H220J	CHIP C 0.010UF K CHIP C 0.010UF K ELECTRO 47UF 6.3WV CHIP C 1.0UF K CHIP C 22PF J	

E : KDC-MP6090R M : KDC-MP7018 K : KDC-MP8017

△ indicates safety critical components.

PARTS LIST

* New Parts

Parts without **Parts No.** are not supplied.

Les articles non mentionnes dans le **Parts No.** ne sont pas fournis.

Teile ohne **Parts No.** werden nicht geliefert.

ELECTRIC UNIT (X25-880X-XX)

Ref. No.	Add	New	Parts No.	Description	Destination	Ref. No.	Add	New	Parts No.	Description	Destination
C205			CG73GCH1H270J	CHIP C 27PF J		R74			RK73EB2B103J	CHIP R 10K J 1/8W	E
C206			CK73GB0J105K	CHIP C 1.0UF K		R76			RK73GB1J473J	CHIP R 47K J 1/16W	E
C211			CK73GB1H102K	CHIP C 1000PF K		R77			RK73GB1J104J	CHIP R 100K J 1/16W	
CN1			E40-3241-05	PIN ASSY (6P)		R78			RK73EB2B103J	CHIP R 10K J 1/8W	
CN5			E40-9550-05	FLAT CABLE CONNECTOR (22P)		R79,80			RD14DB2H102J	SMALL-RD 1.0K J 1/2W	
CN6			E40-9557-05	FLAT CABLE CONNECTOR (13P)		R81			RK73FB2A223J	CHIP R 22K J 1/10W	
CN7			E40-5448-05	PIN ASSY (4P)		R82,83			RK73FB2A472J	CHIP R 4.7K J 1/10W	
J1	2D		E58-0863-15	RECTANGULAR RECEPTACLE (16P)		R84			R92-0366-05	CHIP R 560 J 1W	KM
J4			E56-0834-05	CYLINDRICAL RECEPTACLE (13P)		R86			RK73FB2A223J	CHIP R 22K J 1/10W	KM
WH1	2D		E30-4804-05	CORD WITH PLUG		R87			RK73FB2A123J	CHIP R 12K J 1/10W	
WH1	2D	*	E30-4932-05	CORD WITH PLUG		R88			RK73GB1J123J	CHIP R 12K J 1/16W	
L1			L33-1170-05	CHOKO COIL ASSY		R89			RK73GB1J562J	CHIP R 5.6K J 1/16W	
L2,3			L40-4795-91	SMALL FIXED INDUCTOR(4.7UH,J)		R90			RK73GB1J223J	CHIP R 22K J 1/16W	
L5-7			L40-4795-91	SMALL FIXED INDUCTOR(4.7UH,J)		R91			RK73GB1J183J	CHIP R 18K J 1/16W	
L8			L33-1123-05	LINE FILTER COIL (52mH)		R92			RD14BB2C473J	RD 47K J 1/6W	
L10			L40-4795-91	SMALL FIXED INDUCTOR(4.7UH,J)	E	R93			RD14DB2H332J	SMALL-RD 3.3K J 1/2W	
L12			L92-0075-05	CHIP FERRITE		R94			RK73GB1J104J	CHIP R 100K J 1/16W	
L13			L33-1124-05	CHOKO COIL (220UH)		R101			RK73GB1J103J	CHIP R 10K J 1/16W	
L14			L40-4795-91	SMALL FIXED INDUCTOR(4.7UH,J)		R102			RK73GB1J101J	CHIP R 100 J 1/16W	
X1			L78-0821-05	RESONATOR (20MHz)		R103			RK73GB1J103J	CHIP R 10K J 1/16W	
X2			L77-2738-05	CRYSTAL RESONATOR (32.768kHz)		R105			RK73GB1J473J	CHIP R 47K J 1/16W	
X3			L77-2002-05	CRYSTAL RESONATOR (4.332MHz)	E	R106			RK73GB1J152J	CHIP R 1.5K J 1/16W	
M	2D		N83-3005-46	PAN HEAD TAPTITE SCREW		R108			RK73GB1J622J	CHIP R 6.2K J 1/16W	
P	2D		N80-3008-46	PAN HEAD TAPTITE SCREW		R113			RK73GB1J472J	CHIP R 4.7K J 1/16W	
Q	2D		N83-3012-46	PAN HEAD TAPTITE SCREW		R121			RK73EB2B101J	CHIP R 100 J 1/8W	
R	2D		N86-2606-46	BINDING HEAD TAPTITE SCREW		R122-126			RK73EB2B472J	CHIP R 4.7K J 1/8W	
R1,2			RK73FB2A361J	CHIP R 360 J 1/10W		R127,128			RK73EB2B101J	CHIP R 100 J 1/8W	
R3,4			RK73GB1J223J	CHIP R 22K J 1/16W		R129,130			RK73GB1J104J	CHIP R 100K J 1/16W	
R5,6			RK73EB2B181J	CHIP R 180 J 1/8W		R141,142			RK73EB2B102J	CHIP R 1.0K J 1/8W	
R13,14			RK73FB2A361J	CHIP R 360 J 1/10W		R143,144			RK73GB1J223J	CHIP R 22K J 1/16W	
R15,16			RK73GB1J223J	CHIP R 22K J 1/16W		R145			RK73GB1J473J	CHIP R 47K J 1/16W	
R17,18			RK73EB2B181J	CHIP R 180 J 1/8W		R156			RK73GB1J472J	CHIP R 4.7K J 1/16W	
R19-22			RK73GB1J103J	CHIP R 10K J 1/16W		R157			RK73GB1J102J	CHIP R 1.0K J 1/16W	
R23,24			RK73EB2B100J	CHIP R 10 J 1/8W		R161			RK73GB1J102J	CHIP R 1.0K J 1/16W	E
R25			RK73EB2B4R7J	CHIP R 4.7 J 1/8W		R162			RK73GB1J472J	CHIP R 4.7K J 1/16W	E
R41			RK73GB1J472J	CHIP R 4.7K J 1/16W		R171-173			RK73GB1J104J	CHIP R 100K J 1/16W	
R42			RK73GB1J103J	CHIP R 10K J 1/16W		R174			RK73GB1J222J	CHIP R 2.2K J 1/16W	
R51			RK73GB1J101J	CHIP R 100 J 1/16W		R175			RK73EB2B471J	CHIP R 470 J 1/8W	
R52			RK73FB2A223J	CHIP R 22K J 1/10W		R176			RK73GB1J105J	CHIP R 1.0M J 1/16W	
R53			RK73GB1J222J	CHIP R 2.2K J 1/16W		R177			RK73EB2B102J	CHIP R 1.0K J 1/8W	
R54			RK73GB1J223J	CHIP R 22K J 1/16W		R178			RK73GB1J472J	CHIP R 4.7K J 1/16W	
R55			RD14BB2C221J	RD 220 J 1/6W		R180			RK73EB2B472J	CHIP R 4.7K J 1/8W	
R56			RK73GB1J153J	CHIP R 15K J 1/16W		R181			RK73EB2B471J	CHIP R 470 J 1/8W	
R57			R92-3032-05	CHIP R 4.3K D 1/10W		R182			RK73GB1J473J	CHIP R 47K J 1/16W	
R58			R92-3047-05	CHIP R 24K D 1/10W		R183			RK73EB2B471J	CHIP R 470 J 1/8W	
R60			R92-3024-05	CHIP R 1.0K D 1/10W		R184			RK73EB2B102J	CHIP R 1.0K J 1/8W	
R61			RK73FB2A102J	CHIP R 1.0K J 1/10W		R187			RK73EB2B102J	CHIP R 1.0K J 1/8W	
R63		*	R92-3034-05	CHIP R 5.1K D 1/10W		R189			RK73GB1J471J	CHIP R 470 J 1/16W	
R64			RK73GB1J473J	CHIP R 47K J 1/16W		R190			RK73GB1J104J	CHIP R 100K J 1/16W	
R65			RK73EB2B2R2J	CHIP R 2.2 J 1/8W		R191			RK73GB1J471J	CHIP R 470 J 1/16W	
R71			RK73EB2B102J	CHIP R 1.0K J 1/8W	ME	R192			RK73GB1J104J	CHIP R 100K J 1/16W	
R72			RK73FB2A561J	CHIP R 560 J 1/10W	ME	R193,194			RK73GB1J471J	CHIP R 470 J 1/16W	
R73			RK73GB1J223J	CHIP R 22K J 1/16W	E	R202			RK73GB1J104J	CHIP R 100K J 1/16W	
						R204			RK73GB1J102J	CHIP R 1.0K J 1/16W	
						R206-209			RK73GB1J102J	CHIP R 1.0K J 1/16W	

E : KDC-MP6090R

M : KDC-MP7018

K : KDC-MP8017

△ indicates safety critical components.

KDC-MP6090R/MP7018/MP8017

PARTS LIST

* New Parts

Parts without **Parts No.** are not supplied.

Les articles non mentionnes dans le **Parts No.** ne sont pas fournis.

Teile ohne **Parts No.** werden nicht geliefert.

ELECTRIC UNIT (X25-880X-XX)

Ref. No.	A d d	N e w	Parts No.	Description	Dest inati on
R210			RK73GB1J222J	CHIP R 2.2K J 1/16W	
R213,214			RK73GB1J104J	CHIP R 100K J 1/16W	KM
R214			RK73GB1J104J	CHIP R 100K J 1/16W	E
R215			RK73GB1J471J	CHIP R 470 J 1/16W	
R219,220			RK73GB1J222J	CHIP R 2.2K J 1/16W	
R223,224			RK73GB1J104J	CHIP R 100K J 1/16W	
R225			RK73GB1J102J	CHIP R 1.0K J 1/16W	
R226			RK73GB1J222J	CHIP R 2.2K J 1/16W	
R227,228			RK73GB1J102J	CHIP R 1.0K J 1/16W	
R229			RK73GB1J104J	CHIP R 100K J 1/16W	
R230,231			RK73GB1J471J	CHIP R 470 J 1/16W	
R232			RK73GB1J104J	CHIP R 100K J 1/16W	
R233-236			RK73GB1J222J	CHIP R 2.2K J 1/16W	E
R236			RK73GB1J222J	CHIP R 2.2K J 1/16W	KM
R237			RK73GB1J104J	CHIP R 100K J 1/16W	KM
R239			RK73GB1J104J	CHIP R 100K J 1/16W	
R241,242			RK73GB1J104J	CHIP R 100K J 1/16W	KM
R243			RK73GB1J222J	CHIP R 2.2K J 1/16W	
R245			RK73GB1J104J	CHIP R 100K J 1/16W	
R246			RK73GB1J473J	CHIP R 47K J 1/16W	
R247			RK73GB1J102J	CHIP R 1.0K J 1/16W	
R252,253			RK73GB1J471J	CHIP R 470 J 1/16W	
R254			RK73GB1J222J	CHIP R 2.2K J 1/16W	
R255			RK73GB1J225J	CHIP R 2.2M J 1/16W	
R258,259			RK73GB1J471J	CHIP R 470 J 1/16W	
R260			RK73GB1J102J	CHIP R 1.0K J 1/16W	
R261-264			RK73GB1J472J	CHIP R 4.7K J 1/16W	
R265			RK73GB1J104J	CHIP R 100K J 1/16W	K
R266,267			RK73GB1J104J	CHIP R 100K J 1/16W	ME
R268			RK73GB1J104J	CHIP R 100K J 1/16W	K
R269			RK73GB1J104J	CHIP R 100K J 1/16W	ME
R270			RK73GB1J104J	CHIP R 100K J 1/16W	K
R271			RK73GB1J104J	CHIP R 100K J 1/16W	M
R272,273			RK73GB1J104J	CHIP R 100K J 1/16W	KE
R273			RK73GB1J104J	CHIP R 100K J 1/16W	M
R275			RK73GB1J104J	CHIP R 100K J 1/16W	
R281			RK73GB1J104J	CHIP R 100K J 1/16W	
R282			RK73GB1J103J	CHIP R 10K J 1/16W	
W1			R92-2052-05	CHIP R 0 J 1/10W	E
D1			RM10ZLF	DIODE	
D2			MA4056(N)-M	ZENER DIODE	
D3			RB160L-40	DIODE	
D4			U1GWJ44	DIODE	
D5			AM01Z	DIODE	
D5			DSM1SD2	DIODE	
D5			ERA15-02	DIODE	
D6			HZS11B2	ZENER DIODE	
D6			MA4110-L	ZENER DIODE	
D11			HZS6B1	ZENER DIODE	ME
D11			MA4056-M	ZENER DIODE	ME
D12			HZS5B1	ZENER DIODE	E
D12			MA4047-M	ZENER DIODE	E
D13			1SR154-400	DIODE	
D14			1SS133	DIODE	

Ref. No.	A d d	N e w	Parts No.	Description	Dest inati on
D15 ,16			AM01Z	DIODE	
D15 ,16			DSM1SD2	DIODE	
D15 ,16			ERA15-02	DIODE	
D17			MA4056(N)-M	ZENER DIODE	
D18			MA4062(N)-M	ZENER DIODE	
D21 -28			1SR154-400	DIODE	
D30 -34			1SS133	DIODE	
D35 ,36			RD6.8M(B2)	ZENER DIODE	
D41 ,42			HZS6C1	ZENER DIODE	
D41 ,42			MA4062-L	ZENER DIODE	
D44			HZS6C1	ZENER DIODE	
D44			MA4062-L	ZENER DIODE	
D45 -47			MA4068(N)-M	ZENER DIODE	
D71			1SS133	DIODE	
IC1		*	UPD703033GC057	MI-COM IC	
IC2			TDA7407D	ANALOGUE IC	
IC3			HD74HC02FP	MOS-IC	
IC3			TC74HC02AF	IC	
IC4			TA8263BH	ANALOGUE IC	
IC7			TDA7479D	ANALOGUE IC	E
IC8			S-80837ANNP	MOS-IC	
IC10			M5237ML	IC(VOLTAGE REGULATOR)	
IC11			LM2595S-ADJ	ANALOGUE IC	
IC12			BA05T	ANALOGUE IC	
Q1 ,2			DTC143TUA	DIGITAL TRANSISTOR	
Q1 ,2		*	KRC410	DIGITAL TRANSISTOR	
Q5 ,6			DTC143TUA	DIGITAL TRANSISTOR	
Q5 ,6		*	KRC410	DIGITAL TRANSISTOR	
Q7			DTA124EUA	DIGITAL TRANSISTOR	
Q7		*	KRA303	DIGITAL TRANSISTOR	
Q11			2SC4081	TRANSISTOR	
Q11			2SD1819A	TRANSISTOR	
Q12			2SB1548(P)	TRANSISTOR	
Q13			2SA1576A	TRANSISTOR	
Q13			2SB1218A	TRANSISTOR	
Q14			DTC144EUA	DIGITAL TRANSISTOR	
Q14			UN5213	DIGITAL TRANSISTOR	
Q15			2SB1548(P)	TRANSISTOR	
Q16			DTA124EUA	DIGITAL TRANSISTOR	
Q16		*	KRA303	DIGITAL TRANSISTOR	
Q17			DTC144EUA	DIGITAL TRANSISTOR	
Q17			UN5213	DIGITAL TRANSISTOR	
Q19			DTC124EUA	DIGITAL TRANSISTOR	
Q19			UN5212	DIGITAL TRANSISTOR	
Q20			DTA124EUA	DIGITAL TRANSISTOR	
Q20		*	KRA303	DIGITAL TRANSISTOR	
Q21			2SB1184	TRANSISTOR	
Q22			2SC4081	TRANSISTOR	
Q22			2SD1819A	TRANSISTOR	
Q25			DTA123JK	DIGITAL TRANSISTOR	ME
Q25			KRA105S	DIGITAL TRANSISTOR	ME
Q26			DTC144EUA	DIGITAL TRANSISTOR	
Q26			UN5213	DIGITAL TRANSISTOR	
Q27			DTC114YUA	DIGITAL TRANSISTOR	E
Q27			UN5214	DIGITAL TRANSISTOR	E

E : KDC-MP6090R

M : KDC-MP7018

K : KDC-MP8017

PARTS LIST

* New Parts

Parts without **Parts No.** are not supplied.

Les articles non mentionnes dans le **Parts No.** ne sont pas fournis.

Teile ohne **Parts No.** werden nicht geliefert.

ELECTRIC UNIT (X25-880X-XX)

Ref. No.	A d d	N e w	Parts No.	Description	Dest inati on
Q27 ,28			DTC114YUA	DIGITAL TRANSISTOR	KM
Q27 ,28			UN5214	DIGITAL TRANSISTOR	KM
Q29			DTA124EUA	DIGITAL TRANSISTOR	
Q29		*	KRA303	DIGITAL TRANSISTOR	
Q30			2SA1576A	TRANSISTOR	
Q30			2SB1218A	TRANSISTOR	
Q31 ,32			2SB1277(Q,R)	TRANSISTOR	KM
Q32			2SB1277(Q,R)	TRANSISTOR	E
Q33 ,34			2SC4081	TRANSISTOR	
Q33 ,34			2SD1819A	TRANSISTOR	
Q42			DTC124EUA	DIGITAL TRANSISTOR	
Q42			UN5212	DIGITAL TRANSISTOR	
Q45 ,46			DTC124EUA	DIGITAL TRANSISTOR	
Q45 ,46			UN5212	DIGITAL TRANSISTOR	
Q47 ,48			2SB1277(Q,R)	TRANSISTOR	
Q51			2SC4081	TRANSISTOR	KM
Q51			2SD1819A	TRANSISTOR	KM
Q51 ,52			2SC4081	TRANSISTOR	E
Q51 ,52			2SD1819A	TRANSISTOR	E
Q53			DTC144EUA	DIGITAL TRANSISTOR	
Q53			UN5213	DIGITAL TRANSISTOR	
Q55			2SA1576A	TRANSISTOR	
Q55			2SB1218A	TRANSISTOR	
Q56			DTC124EUA	DIGITAL TRANSISTOR	
Q56			UN5212	DIGITAL TRANSISTOR	
TH1			PTH9C42BD471Q	POSITIVE RESISTOR	
A1	3D		X86-3240-11	TUNER UNIT	KM
A1	3D		X86-3242-70	TUNER UNIT	E
PROCESSOR UNIT (X32-5080-00)					
C1			C92-0633-05	CHIP-TAN 22UF 10WV	
C2 ,3			CK73GB1H102K	CHIP C 1000PF K	
C4 ,5			C92-0628-05	CHIP-TAN 10UF 10WV	
C7			CK73EB1A475K	CHIP C 4.7UF K	
C8 ,9			CK73GB1C104K	CHIP C 0.10UF K	
C10 ,11			CK73GB1H102K	CHIP C 1000PF K	
C12 -14			CK73GB1C104K	CHIP C 0.10UF K	
C15			CK73EB1A475K	CHIP C 4.7UF K	
C16			C92-0628-05	CHIP-TAN 10UF 10WV	
C17 ,18			CK73GB1H102K	CHIP C 1000PF K	
C19			CK73FB1C105K	CHIP C 1.0UF K	
C20			CK73GB1H102K	CHIP C 1000PF K	
C21			CC73GCH1H150J	CHIP C 15PF J	
C22			C92-0628-05	CHIP-TAN 10UF 10WV	
C23			CK73GB1H102K	CHIP C 1000PF K	
C24			CC73GCH1H471J	CHIP C 470PF J	
C25			CK73GB1C104K	CHIP C 0.10UF K	
C26			CK73GB1H472K	CHIP C 4700PF K	
C27 ,28			CK73FB1C105K	CHIP C 1.0UF K	
C29 -31			CK73GB1C104K	CHIP C 0.10UF K	
C32			C92-0628-05	CHIP-TAN 10UF 10WV	
C33 ,34			CK73GB1C104K	CHIP C 0.10UF K	
C35			CC73GCH1H221J	CHIP C 220PF J	
C36			CK73GB1H102K	CHIP C 1000PF K	
C37			CK73GB1H103K	CHIP C 0.010UF K	

Ref. No.	A d d	N e w	Parts No.	Description	Dest inati on
C39			CK73GB1H222K	CHIP C 2200PF K	
C40			CK73GB1C104K	CHIP C 0.10UF K	
C41			CK73GB1H103K	CHIP C 0.010UF K	
C42			CC73GCH1H101J	CHIP C 100PF J	
C43			CK73GB1C473K	CHIP C 0.047UF K	
C45			CK73GB1C104K	CHIP C 0.10UF K	
C46			CK73GB1H103K	CHIP C 0.010UF K	
C48			CK73GB1H103K	CHIP C 0.010UF K	
C49			CK73GB1C104K	CHIP C 0.10UF K	
C50			CK73GB1H103K	CHIP C 0.010UF K	
C52			CK73EB1A475K	CHIP C 4.7UF K	
C53			CK73GB1C104K	CHIP C 0.10UF K	
C54			CK73EB1A475K	CHIP C 4.7UF K	
C55			CK73GB1C104K	CHIP C 0.10UF K	
C56			C92-0628-05	CHIP-TAN 10UF 10WV	
C58			C92-0628-05	CHIP-TAN 10UF 10WV	
C60			CK73EB1A475K	CHIP C 4.7UF K	
C61			CK73GB1C333K	CHIP C 0.033UF K	
C62			CK73FB1C224K	CHIP C 0.22UF K	
C63			CK73GB1H472K	CHIP C 4700PF K	
C64			CK73GB1H222K	CHIP C 2200PF K	
C65 ,66			CK73EB1A475K	CHIP C 4.7UF K	
C67			CK73GB1C104K	CHIP C 0.10UF K	
C68 ,69			CK73EB1A475K	CHIP C 4.7UF K	
C70			CK73GB1H102K	CHIP C 1000PF K	
C71 -74			CK73GB1C104K	CHIP C 0.10UF K	
C75			CK73GB1H103K	CHIP C 0.010UF K	
C76			CK73GB1H102K	CHIP C 1000PF K	
C77 ,78			CC73GCH1H471J	CHIP C 470PF J	
C79 ,80			CC73GCH1H680J	CHIP C 68PF J	
C81			CK73EB1A475K	CHIP C 4.7UF K	
C82 ,83			C92-0628-05	CHIP-TAN 10UF 10WV	
C84 ,85			C92-0633-05	CHIP-TAN 22UF 10WV	
C86			CK73EB1A475K	CHIP C 4.7UF K	
C87			C92-0093-05	CHIP C 100UF 6.3WV	
C100			CK73GB1H103K	CHIP C 0.010UF K	
C101			CK73GB1C104K	CHIP C 0.10UF K	
CN1			E40-9339-05	FLAT CABLE CONNECTOR (22P)	
CN2			E40-9536-05	FLAT CABLE CONNECTOR (16P)	
L1 -4			L92-0308-05	FERRITE CORE	
L5			L40-1001-78	SMALL FIXED INDUCTOR(10UH)	
L5		*	L40-1001-93	SMALL FIXED INDUCTOR(10UH)	
L5		*	L41-1001-10	SMALL FIXED INDUCTOR(10UH)	
X1			L78-0810-05	RESONATOR (10MHz)	
X2			L78-0573-05	RESONATOR (16.93MHz)	
CP1 -7			R90-0714-05	MULTI-COMP 10K X4	
CP8 -10			R90-1012-05	MULTI-COMP 22K X4	
R1 ,2			RK73GB1J183J	CHIP R 18K J 1/16W	
R4 -7			RK73GB1J101J	CHIP R 100 J 1/16W	
R8			RK73GB1J331J	CHIP R 330 J 1/16W	
R9			RK73GB1J102J	CHIP R 1.0K J 1/16W	
R10			RK73GB1J103J	CHIP R 10K J 1/16W	
R12			RK73GB1J472J	CHIP R 4.7K J 1/16W	

E : KDC-MP6090R

M : KDC-MP7018

K : KDC-MP8017

△ indicates safety critical components.

KDC-MP6090R/MP7018/MP8017

PARTS LIST

* New Parts

Parts without **Parts No.** are not supplied.

Les articles non mentionnes dans le **Parts No.** ne sont pas fournis.

Teile ohne **Parts No.** werden nicht geliefert.

PROCESSOR UNIT (X32-5080-00)

Ref. No.	A d d	N e w	Parts No.	Description	Dest inati on
R13			RK73GB1J102J	CHIP R 1.0K J 1/16W	
R14 ,15			RK73FB2A100J	CHIP R 10 J 1/10W	
R16 -19			RK73GB1J472J	CHIP R 4.7K J 1/16W	
R20 ,21			RK73GB1J222J	CHIP R 2.2K J 1/16W	
R22 ,23			RK73GB1J122J	CHIP R 1.2K J 1/16W	
R24 -26			RK73GB1J222J	CHIP R 2.2K J 1/16W	
R27			RK73GB1J122J	CHIP R 1.2K J 1/16W	
R28 ,29			RK73GB1J222J	CHIP R 2.2K J 1/16W	
R30 -33			RK73GB1J122J	CHIP R 1.2K J 1/16W	
R34			RK73GB1J104J	CHIP R 100K J 1/16W	
R35			RK73GB1J102J	CHIP R 1.0K J 1/16W	
R36 ,37			RK73GB1J4R7J	CHIP R 4.7 J 1/16W	
R38 ,39			RK73GB1J472J	CHIP R 4.7K J 1/16W	
R40			RK73GB1J102J	CHIP R 1.0K J 1/16W	
R41			RK73GB1J471J	CHIP R 470 J 1/16W	
R42			RK73GB1J104J	CHIP R 100K J 1/16W	
R43			RK73GB1J393J	CHIP R 39K J 1/16W	
R44			RK73GB1J102J	CHIP R 1.0K J 1/16W	
R45			RK73GB1J103J	CHIP R 10K J 1/16W	
R46			RK73GB1J912J	CHIP R 9.1K J 1/16W	
R47			RK73GB1J332J	CHIP R 3.3K J 1/16W	
R48			RK73GB1J682J	CHIP R 6.8K J 1/16W	
R49			RK73GB1J103J	CHIP R 10K J 1/16W	
R50			RK73GB1J123J	CHIP R 12K J 1/16W	
R51			RK73GB1J824J	CHIP R 820K J 1/16W	
R52			RK73GB1J103J	CHIP R 10K J 1/16W	
R53			RK73GB1J563J	CHIP R 56K J 1/16W	
R54			RK73GB1J102J	CHIP R 1.0K J 1/16W	
R55			RK73GB1J103J	CHIP R 10K J 1/16W	
R56			RK73GB1J682J	CHIP R 6.8K J 1/16W	
R57			RK73GB1J622J	CHIP R 6.2K J 1/16W	
R58			RK73GB1J122J	CHIP R 1.2K J 1/16W	
R59			RK73GB1J102J	CHIP R 1.0K J 1/16W	
R60			RK73GB1J183J	CHIP R 18K J 1/16W	
R63			RK73GB1J103J	CHIP R 10K J 1/16W	
R64			RK73GB1J102J	CHIP R 1.0K J 1/16W	
R65			RK73EB2B100J	CHIP R 10 J 1/8W	
R66			RK73GB1J103J	CHIP R 10K J 1/16W	
R67			RK73EB2B4R7J	CHIP R 4.7 J 1/8W	
R68			RK73FB2A820J	CHIP R 82 J 1/10W	
R73			RK73FB2A103J	CHIP R 10K J 1/10W	
R75 ,76			RK73GB1J103J	CHIP R 10K J 1/16W	
R77 ,78			RK73GB1J472J	CHIP R 4.7K J 1/16W	
R79			RK73GB1J223J	CHIP R 22K J 1/16W	
R80 ,81			RK73GB1J472J	CHIP R 4.7K J 1/16W	
R82			RK73GB1J102J	CHIP R 1.0K J 1/16W	
R83			RK73GB1J223J	CHIP R 22K J 1/16W	
R84			RK73GB1J331J	CHIP R 330 J 1/16W	
R85			RK73GB1J220J	CHIP R 22 J 1/16W	
R86			RK73GB1J222J	CHIP R 2.2K J 1/16W	
R87			RK73GB1J122J	CHIP R 1.2K J 1/16W	
R88			RK73GB1J104J	CHIP R 100K J 1/16W	
R90			RK73GB1J101J	CHIP R 100 J 1/16W	
R91			RK73GB1J222J	CHIP R 2.2K J 1/16W	
R94			RK73GB1J512J	CHIP R 5.1K J 1/16W	

Ref. No.	A d d	N e w	Parts No.	Description	Dest inati on
R95			RK73GB1J222J	CHIP R 2.2K J 1/16W	
R96 -99			RK73GB1J203J	CHIP R 20K J 1/16W	
R100			RK73GB1J103J	CHIP R 10K J 1/16W	
R101			RK73GB1J512J	CHIP R 5.1K J 1/16W	
R102			RK73FB2A4R7J	CHIP R 4.7 J 1/10W	
R103			RK73GB1J103J	CHIP R 10K J 1/16W	
R104			RK73GB1J331J	CHIP R 330 J 1/16W	
R105			RK73FB2A4R7J	CHIP R 4.7 J 1/10W	
R106			RK73GB1J331J	CHIP R 330 J 1/16W	
R107,108			RK73GB1J332J	CHIP R 3.3K J 1/16W	
R109,110			RK73GB1J562J	CHIP R 5.6K J 1/16W	
R200,201			RK73GB1J103J	CHIP R 10K J 1/16W	
R202			RK73GB1J681J	CHIP R 680 J 1/16W	
W1			R92-1252-05	CHIP R 0 OHM	
W61 ,62			R92-1252-05	CHIP R 0 OHM	
W69 -72			R92-1252-05	CHIP R 0 OHM	
S1 ,2			S68-0838-05	PUSH SWITCH	
S3			S68-0859-05	PUSH SWITCH	
D1 -3			DAN202U	DIODE	
IC1		*	M30620MCAB12GP	MI-COM IC	
IC2			UPD63724B	MOS-IC	
IC3			TC74HC157AF	IC(MULTIPLEXER)	
IC4			LP2982-3.3	ANALOGUE IC	
IC5			STA013	MOS-IC	
IC6			MSM514260CP-60	MEMORY IC	
IC7			TC7SH04F	MOS-IC	
IC8			TA78L05F	IC(VOLTAGE REGULATOR/ +5V)	
IC9			PCM1716E	MOS-IC	
IC10			UPC2575GS	ANALOGUE IC	
IC11			BA5917AFP	ANALOGUE IC	
IC12			NJM5532MD	IC(OP AMP)	
IC13			NJM2903M	IC(COMPARETOR X2)	
Q1			MCH6101	TRANSISTOR	
Q2			DTC124EUA	DIGITAL TRANSISTOR	
Q3			MCH6101	TRANSISTOR	
Q4			DTC124EUA	DIGITAL TRANSISTOR	
Q5 -7			2SK3018	FET	
Q8			MCH6101	TRANSISTOR	
Q9			DTC124EUA	DIGITAL TRANSISTOR	
MECHANISM ASSY (X92-4190-00)					
1		2A	A10-4482-01	CHASSIS	
2		1B	A10-4225-33	CHASSIS CALKING ASSY	
3		2B	A11-0915-43	SUB CHASSIS CALKING ASSY	
5		2A	D10-3082-13	ARM	
6		2A	D10-4306-14	ARM ASSY	
7		2A	D10-4305-14	ARM ASSY	
8		3A	D10-3087-44	ARM ASSY	
9		3B	D10-3092-03	SLIDER	
10		3B	D10-3093-04	SLIDER ASSY	
11		2B	D10-3095-04	SLIDER ASSY	
12		2B	D10-3096-04	SLIDER ASSY	
13		1A	D10-3099-24	SLIDER ASSY	
14		1A	D10-3100-04	SLIDER ASSY	

E : KDC-MP6090R

M : KDC-MP7018

K : KDC-MP8017

KDC-MP6090R/MP7018/MP8017

PARTS LIST

* New Parts

Parts without **Parts No.** are not supplied.

Les articles non mentionnes dans le **Parts No.** ne sont pas fournis.

Teile ohne **Parts No.** werden nicht geliefert.

MECHANISM ASSY (X92-4190-00)

Ref. No.	A d d	N e w	Parts No.	Description	Dest inati on
16	1B		D10-4004-04	LEVER ASSY	
17	1B		D10-4006-04	LEVER	
18	1A		D10-4007-04	LEVER	
19	2B		D10-4008-14	LEVER	
20	2A		D10-4009-23	ARM	
21	3A		D10-4010-04	LEVER	
22	3A		D10-4307-04	LEVER ASSY	
24	3B		D10-4050-04	ARM	
25	3A		D10-4038-23	ARM ASSY	
26	2A		D10-4123-24	LEVER ASSY	
27	3A		D13-1442-03	RACK (GEAR)	
29	3B		D13-1231-04	GEAR	
30	3A		D13-1240-04	GEAR	
31	3B		D13-1233-04	GEAR	
32	3B		D13-1234-14	GEAR ASSY	
33	3A		D13-1441-03	GEAR	
34	3B		D13-1232-04	GEAR	
35	3B		D13-1241-04	GEAR	
36	3A		D13-1242-04	GEAR	
37	1B		D13-1243-04	GEAR	
38	1B		D13-1244-04	GEAR	
39	1B		D13-1245-14	GEAR	
40	2A		D13-1246-04	GEAR	
41	2B		D13-1247-04	GEAR	
43	2B		D13-1249-04	GEAR ASSY	
44	2B		D13-1341-04	GEAR ASSY (LEAD SCREW)	
45	1B		D14-0668-04	ROLLER	
46	2A		D14-0670-04	ROLLER	
47	3B		D14-0674-04	ROLLER	
49	3A		D21-2228-14	SHAFT	
50	1A		D21-2229-04	SHAFT	
51	1A		D23-0925-24	RETAINER	
52	2A		D32-0614-04	STOPPER	
53	1B		D39-0223-05	DAMPER (YEL)	
54	2B		D39-0224-05	DAMPER (BLK)	
55	3B		F09-1246-04	SHEET	
58	3B		F09-1266-14	SHEET	
60	2A		G01-2770-04	EXTENSION SPRING	
61	3A		G01-2771-04	EXTENSION SPRING	
62	3A		G01-2772-24	EXTENSION SPRING	
63	3A		G01-2773-14	EXTENSION SPRING	
64	3A		G01-2774-34	EXTENSION SPRING	
65	1B		G01-2775-04	TORSION COIL SPRING	
66	1B		G01-2776-14	TORSION COIL SPRING	
67	3B		G01-2777-24	TORSION COIL SPRING	
69	2A		G01-2844-04	EXTENSION SPRING	
70	2A		G02-1231-04	FLAT SPRING	
71	2B	*	G02-1319-04	FLAT SPRING	
72	2A		G02-1241-24	FLAT SPRING	
73	2A		G02-1248-14	FLAT SPRING	
75	2A		J11-0613-13	CLAMPER	
76	3A		J19-4678-13	HOLDER	
77	2B	*	J19-4923-04	HOLDER	
78	3B		J21-7684-13	MOUNTING HARDWARE	

Ref. No.	A d d	N e w	Parts No.	Description	Dest inati on
79	2B		J21-7686-13	MOUNTING HARDWARE	
80	1B		J21-7690-03	MOUNTING HARDWARE	
82	3A		J84-0107-05	FLEXIBLE PRINTED WIRING BOARD	
83	1A		J90-0757-22	GUIDE	
A	2A		N09-4249-05	MACHINE SCREW (M1.7X2.5,LOCK)	
B	1B		N09-4172-05	TAPPING SCREW (2X3.5,CTITE)	
C	2B		N09-4202-05	STEPPED SCREW	
D	2A		N38-2020-46	PAN HEAD MACHIN SCREW	
E	3A		N09-4294-05	TAPTITE SCREW (BIND P TAPTIT)	
F	3B		N19-2023-04	FLAT WASHER	
G	2A		N19-2058-04	FLAT WASHER	
H	3A		N19-2093-04	FLAT WASHER	
J	2A		N39-2020-46	PAN HEAD MACHIN SCREW	
DM1	3B		T42-0764-04	DC MOTOR ASSY (SPINDLE)	
DM2	3B		T42-0763-04	DC MOTOR ASSY (LOADING)	
DPU1	2B		T25-0215-05	OPTICAL PICKUP HEAD	

E : KDC-MP6090R

M : KDC-MP7018

K : KDC-MP8017

△ indicates safety critical components.