

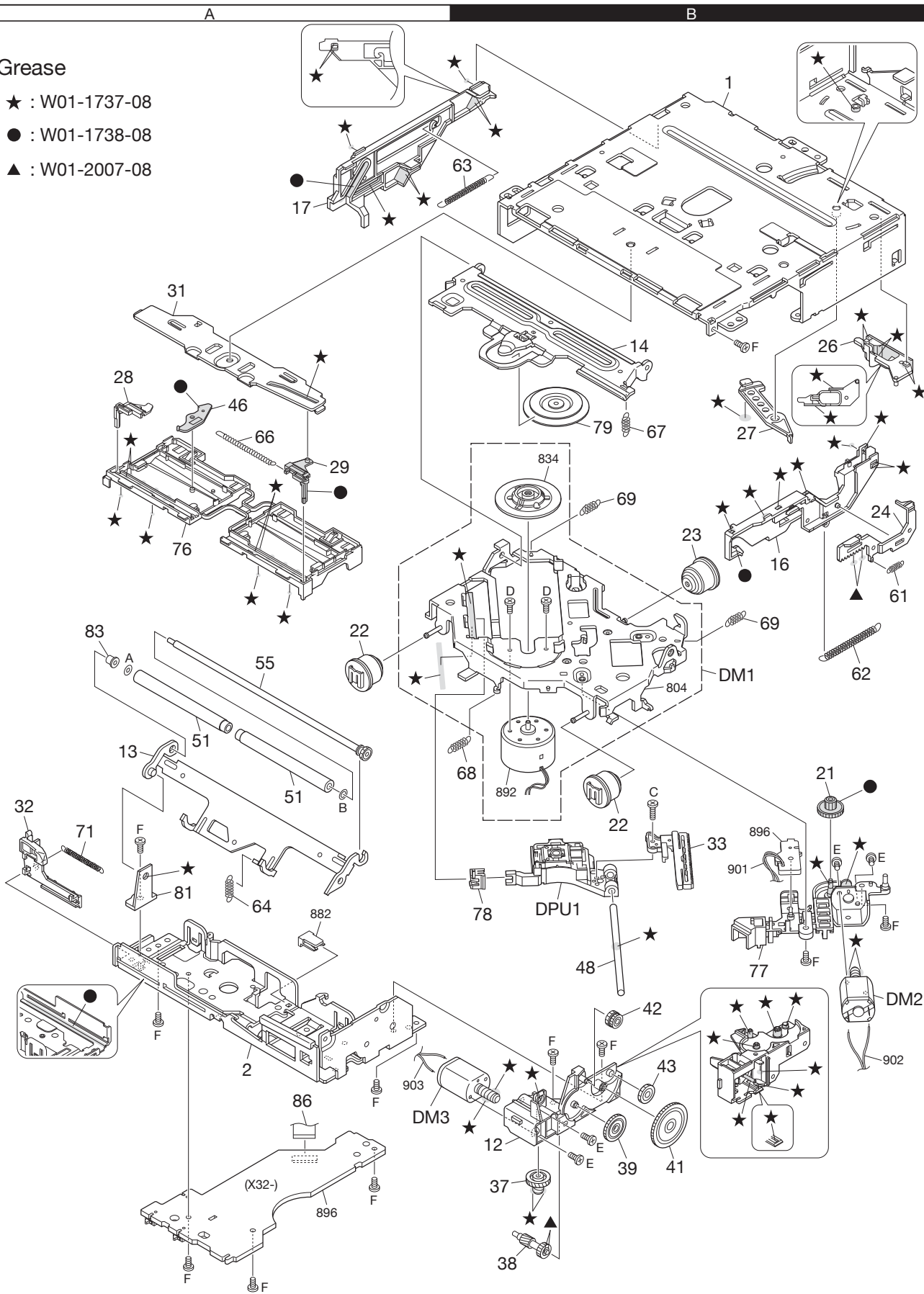
EXPLODED VIEW (CD MECHANISM)

Grease

★ : W01-1737-08

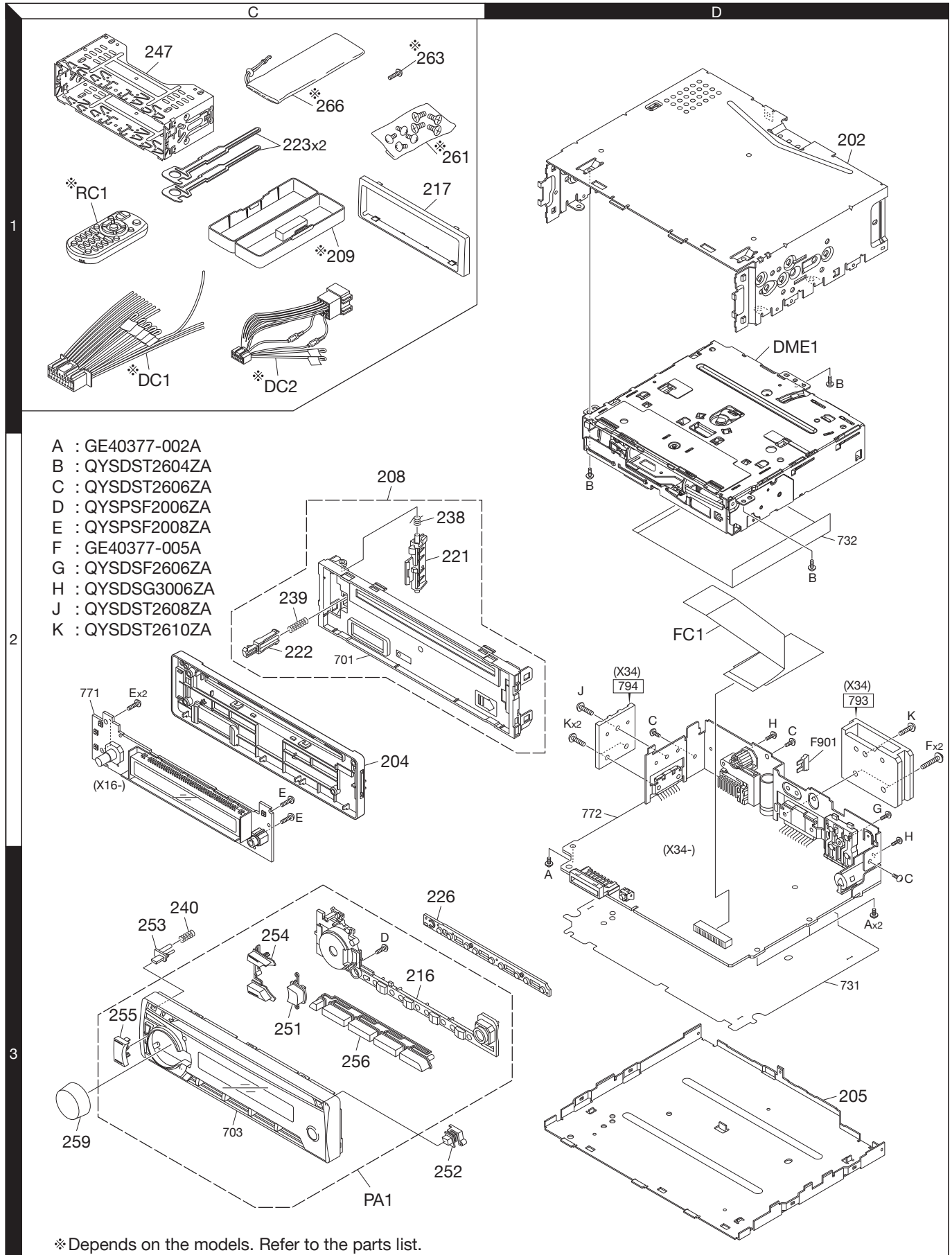
● : W01-1738-08

▲ : W01-2007-08



Parts with the exploded numbers larger than 700 are not supplied.

EXPLODED VIEW (UNIT)



PARTS LIST

* New parts
 Parts without **Parts No.** are not supplied.
 Les articles non mentionnés dans le **Parts No.** ne sont pas fournis.
 Teile ohne **Parts No.** werden nicht geliefert.

Ref. No.	A d d	N e w	Parts No.	Description	Desti- nation
KDC-108/148/3051M/315M/MP1049/ MP148CR/MP149/MP2049/MP249/MP3049					
202	1D	*	GE10283-001A	TOP CHASSIS	
204	2C	*	GE10286-001A	REAR COVER	
205	3D	*	GE20271-001A	BOTTOM COVER	
208	2C	*	GE34074-001A	FRONT CHASSIS ASSY	
209	1C		GE34332-001A	HARD CASE ASSY A02-2757-13	MM1M2
209	1C		GE34332-001A	HARD CASE ASSY A02-2757-13	M3M4
PA1	3C	*	GE20278-001A	PANEL ASSY	K
PA1	3C	*	GE20278-002A	PANEL ASSY	K1
PA1	3C	*	GE20278-003A	PANEL ASSY	K2
PA1	3C	*	GE20278-012A	PANEL ASSY	M4
PA1	3C	*	GE20278-013A	PANEL ASSY	MM2
PA1	3C	*	GE20278-015A	PANEL ASSY	M1
PA1	3C	*	GE20278-016A	PANEL ASSY	M3
PA1	3C	*	GE20278-017A	PANEL ASSY	C1
PA1	3C	*	GE20278-018A	PANEL ASSY	C2
PA1	3C	*	GE20278-019A	PANEL ASSY	M5
PA1	3C	*	GE20278-020A	PANEL ASSY	M6
RC1	1C		QAL1303-001	REMOTE CONTROL UNIT A70-2104-05	KK2MM1
RC1	1C		QAL1303-001	REMOTE CONTROL UNIT A70-2104-05	M2M3C2
-		*	GET0670-001A	INSTRUCTION BOOK (ENG.FRE.SPA.)	KK1K2
-		*	GET0672-001A	INSTRUCTION BOOK (ENGLISH)	MM1M2
-		*	GET0672-001A	INSTRUCTION BOOK (ENGLISH)	M3M4M5
-		*	GET0672-001A	INSTRUCTION BOOK (ENGLISH)	M6
-		*	GET0672-002A	INSTRUCTION BOOK (ARABIC)	MM1M2
-		*	GET0672-002A	INSTRUCTION BOOK (ARABIC)	M3M4
-		*	GET0673-001A	INSTRUCTION BOOK (S-CHINESE)	C1C2
216	3C	*	GE10290-001A	LIGHT GUIDE	
217	1C	*	GE20274-001A	TRIM PLATE	
221	2C	*	GE34045-001A	LOCK LEVER	
222	2C	*	GE34046-001A	RELEASE LEVER	
223	1C	*	GE40510-001A	HOOK	
226	3C	*	GE34058-001A	CONDUCTIVE RUBBER	
DC1	1C		QAM1335-001	CAR CABLE E30-6798-05	KK1K2
DC1	1C		QAM1335-001	CAR CABLE E30-6798-05	M3M4C1
DC1	1C		QAM1336-001	CAR CABLE E30-6933-05	C2
DC1	1C		QAM1336-001	CAR CABLE E30-6933-05	MM1M2
DC2	1C		QAM1333-001	CAR CABLE E30-6937-05	M5M6
FC1	2D	*	WJT0250-001A-E	E-CARD WIRE	
F901	2D		QMFZ064-100-J1	FUSE (10A) F52-0023-05	
238	2C	*	GE40504-001A	SPRING (TORSION)	
239	2C	*	GE40505-001A	SPRING (COMPRESSION)	
240	3C	*	GE40505-002A	SPRING (DETACH)	
-		*	GE34152-001A	INNER CARTON	K
-		*	GE34164-001A	INNER CARTON	M5
-		*	GE34166-001A	INNER CARTON	M6
-		*	GE34168-001A	INNER CARTON	K1
-		*	GE34170-001A	INNER CARTON	K2
-		*	GE34172-001A	INNER CARTON	M
-		*	GE34174-001A	INNER CARTON	M1
-		*	GE34176-001A	INNER CARTON	M2
-		*	GE34178-001A	INNER CARTON	M3

Ref. No.	A d d	N e w	Parts No.	Description	Desti- nation
-		*	GE34180-001A	INNER CARTON	M4
-		*	GE34182-001A	INNER CARTON	C2
-		*	GE34196-001A	INNER CARTON	C1
247	1C	*	GE34134-001A	MOUNTING SLEEVE ASSY	
251	3C	*	GE34051-001A	ACCENT BUTTON (PLAY)	
252	3C	*	GE34059-001A	EJECT BUTTON	
253	3C	*	GE34060-001A	DETACH BUTTON	
254	3C	*	GE34061-001A	SRC BUTTON	
255	3C	*	GE34063-001A	SEARCH BUTTON	
256	3C	*	GE34064-001A	PRESET BUTTON	
259	3C	*	GE40502-001A	VOL KNOB RUBBER	C1
259	3C	*	GE40502-001A	VOL KNOB RUBBER	KK1K2
259	3C	*	GE40511-001A	VOL KNOB RUBBER	MM1M2
259	3C	*	GE40511-001A	VOL KNOB RUBBER	M3M4M5
259	3C	*	GE40511-001A	VOL KNOB RUBBER	M6C2
261	1C		GE40536-001A	SCREW SET N99-1757-15	KK1K2M
261	1C		GE40536-001A	SCREW SET N99-1757-15	M1M2M3
261	1C		GE40536-001A	SCREW SET N99-1757-15	M4C1C2
263	1C		QYSPSF2008MA	TAP SCREW N80-2008-43	KK1K2M
263	1C		QYSPSF2008MA	TAP SCREW N80-2008-43	M1M2M3
263	1C		QYSPSF2008MA	TAP SCREW N80-2008-43	M4C1C2
A	3D	*	GE40377-002A	SPECIAL SCREW	
B	2D		QYSDST2604ZA	TAP SCREW N86-2604-48	
C	2D		QYSDST2606ZA	TAP SCREW N86-2606-48	
D	3C		QYSPSF2006ZA	TAP SCREW N80-2006-48	
E	2C		QYSPSF2008ZA	TAP SCREW N80-2008-48	
266	1C		GE40521-001A	CARRYING CASE W01-1710-05	KK2M5
266	1C		GE40521-001A	CARRYING CASE W01-1710-05	M6
DME1	1D	*	X92-6630-00	MECHANISM ASSY (HCS-1000W)	
SWITCH UNIT (X16-703x-xx)					
D651			CL-195SR-CD-X	LED B30-1566-05	
D652			KLB-16B-X	LED B30-3210-05	K
D652			SML-D12D8W-X	LED B30-1794-05	M2
D652			SML-D12V8W-X	LED B30-1779-05	K1K2M1
D652			SML-D12V8W-X	LED B30-1779-05	M3M4M5
D652			SML-D12V8W-X	LED B30-1779-05	M6
D652-666			SML-D12P8W-X	LED B30-1780-05	MC1C2
D655			KLB-16B-X	LED B30-3210-05	K
D655			SML-D12D8W-X	LED B30-1794-05	M2
D655			SML-D12V8W-X	LED B30-1779-05	K1K2M1
D655			SML-D12V8W-X	LED B30-1779-05	M6
D655			SML-D12V8W-X	LED B30-1779-05	M3M4M5
D659			KLB-16B-X	LED B30-3210-05	K
D659			SML-D12D8W-X	LED B30-1794-05	M2
D659			SML-D12V8W-X	LED B30-1779-05	K1K2M1
D659			SML-D12V8W-X	LED B30-1779-05	M6
D659			SML-D12V8W-X	LED B30-1779-05	M3M4M5
D659			SML-D12V8W-X	LED B30-1779-05	M6
D664-666			SML-D12D8W-X	LED B30-1794-05	M2
D664-666			SML-D12V8W-X	LED B30-1779-05	K1K2M1
D664-666			SML-D12V8W-X	LED B30-1779-05	M3M4M5
D664-666			SML-D12V8W-X	LED B30-1779-05	M6

K: KDC-148 **K1:** KDC-108 **K2:** KDC-MP148CR **M:** KDC-MP249G **M1:** KDC-MP249S **M2:** KDC-MP249A **M3:** KDC-MP2049 **M4:** KDC-MP149 **M5:** KDC-3051M **M6:** KDC-315M **C1:** KDC-MP1049 **C2:** KDC-MP3049 △ Indicates safety critical components.

PARTS LIST

SWITCH UNIT (X16-703x-xx)

Ref. No.	Add	New	Parts No.	Description	Destination
D664,665			SML-D12V8W-X	LED B30-1779-05	K
D666			KLB-16B-X	LED B30-3210-05	K
D669-673			SML-D12P8W-X	LED B30-1780-05	MC1C2
D673			KLB-16B-X	LED B30-3210-05	K
D673-678			SML-D12D8W-X	LED B30-1794-05	M2
D673-678			SML-D12V8W-X	LED B30-1779-05	K1K2M1
D673-678			SML-D12V8W-X	LED B30-1779-05	M3M4M5
D673-678			SML-D12V8W-X	LED B30-1779-05	M6
D674-677			SML-D12V8W-X	LED B30-1779-05	K
D678			KLB-16B-X	LED B30-3210-05	K
C611			NCB30JK-105X	C CAPACITOR CK73GB0J105K	
C612			NCB31HK-104X	C CAPACITOR CK73GB1H104K	
C613-616			NCB31HK-471X	C CAPACITOR CK73GB1H471K	
C621			NCB30JK-105X	C CAPACITOR CK73GB0J105K	KK2MM1
C621			NCB30JK-105X	C CAPACITOR CK73GB0J105K	M2M3M4
C621			NCB30JK-105X	C CAPACITOR CK73GB0J105K	M5M6C2
C671,672			NCB31HK-472X	C CAPACITOR CK73GB1H472K	
C684			NCB31HK-103X	C CAPACITOR CK73GB1H103K	
CN601		*	QGZ1102K1-20X	TDF CONNECTOR E59-0859-05	
J602			QNS0299-001	DIA 3.5 TYPE JACK	
L601			NQR0502-001X	FERRITE BEADS L92-0879-05	
D654			NRSA63J-0R0X	MG RESISTOR RK73GB2A000J	KK1K2
D654			NRSA63J-0R0X	MG RESISTOR RK73GB2A000J	M1M2M3
D654			NRSA63J-0R0X	MG RESISTOR RK73GB2A000J	M4M5M6
D658			NRSA63J-0R0X	MG RESISTOR RK73GB2A000J	KK1K2
D658			NRSA63J-0R0X	MG RESISTOR RK73GB2A000J	M1M2M3
D658			NRSA63J-0R0X	MG RESISTOR RK73GB2A000J	M4M5M6
R611			NRSA63J-473X	MG RESISTOR RK73GB2A473J	
R612			NRSA63J-221X	MG RESISTOR RK73GB2A221J	
R613			NRSA63J-102X	MG RESISTOR RK73GB2A102J	
R614			NRSA63J-472X	MG RESISTOR RK73GB2A472J	
R615			NRSA63J-4R7X	MG RESISTOR RK73GB2A4R7J	
R617,618			NRSA63J-0R0X	MG RESISTOR RK73GB2A000J	
R622			NRSA63J-0R0X	MG RESISTOR RK73GB2A000J	KK2MM1
R622			NRSA63J-0R0X	MG RESISTOR RK73GB2A000J	M2M3M4
R622			NRSA63J-0R0X	MG RESISTOR RK73GB2A000J	M5M6C2
R631		*	NRS125J-9R1X	MG RESISTOR	
R632			NRSA63J-0R0X	MG RESISTOR RK73GB2A000J	
R650,651			NRS181J-362X	MG RESISTOR RK73EB2E362J	
R652			NRS181J-391X	MG RESISTOR RK73EB2E391J	K
R652			NRS181J-561X	MG RESISTOR RK73EB2E561J	K1K2M1
R652			NRS181J-561X	MG RESISTOR RK73EB2E561J	M3M4M5
R652			NRS181J-561X	MG RESISTOR RK73EB2E561J	M6
R652-659			NRS181J-471X	MG RESISTOR RK73EB2E471J	MC1C2
R652,653			NRS181J-102X	MG RESISTOR RK73EB2E102J	M2
R653			NRS181J-162X	MG RESISTOR RK73EB2E162J	K
R653			NRS181J-751X	MG RESISTOR RK73EB2E751J	K1K2M1
R653			NRS181J-751X	MG RESISTOR RK73EB2E751J	M3M4M5
R653			NRS181J-751X	MG RESISTOR RK73EB2E751J	M6
R655			NRS181J-162X	MG RESISTOR RK73EB2E162J	K
R655-658			NRS181J-102X	MG RESISTOR RK73EB2E102J	M2
R655-658			NRS181J-751X	MG RESISTOR RK73EB2E751J	K1K2M1
R655-658			NRS181J-751X	MG RESISTOR RK73EB2E751J	M3M4M5

Ref. No.	Add	New	Parts No.	Description	Destination
R655-658			NRS181J-751X	MG RESISTOR RK73EB2E751J	M6
R656-658			NRS181J-751X	MG RESISTOR RK73EB2E751J	K
R659			NRS181J-561X	MG RESISTOR RK73EB2E561J	K1K2M1
R659			NRS181J-561X	MG RESISTOR RK73EB2E561J	M3M4M5
R659			NRS181J-561X	MG RESISTOR RK73EB2E561J	M6
R659			NRS181J-681X	MG RESISTOR RK73EB2E681J	K
R659			NRS181J-751X	MG RESISTOR RK73EB2E751J	M2
R660			NRSA63J-0R0X	MG RESISTOR RK73GB2A000J	
R664			NRSA63J-0R0X	MG RESISTOR RK73GB2A000J	
R669			NRS181J-561X	MG RESISTOR RK73EB2E561J	MC1C2
R669-671			NRS181J-102X	MG RESISTOR RK73EB2E102J	M2
R669-671			NRS181J-751X	MG RESISTOR RK73EB2E751J	KK1K2
R669-671			NRS181J-751X	MG RESISTOR RK73EB2E751J	M1M3M4
R669-671			NRS181J-751X	MG RESISTOR RK73EB2E751J	M5M6
R670,671			NRS181J-471X	MG RESISTOR RK73EB2E471J	MC1C2
S602,603		*	NSW0326-001X	TACT SWITCH	
S610,611		*	NSW0326-001X	TACT SWITCH	
S615,616		*	NSW0326-001X	TACT SWITCH	
EN601		*	QSW1288-001	ROTARY ENCODER	
D601		*	DZ2J051/M/-X	ZENER DIODE	
D603-608		*	DZ2J051/M/-X	ZENER DIODE	
FL601			3-BT-267N	FLUORESCENT INDICATOR TUBE	
IC601			BU9755KV-X	MOS-IC BU9755KV	
IC602		*	KSM-2003TN5B	ANALOGUE IC	KK2MM1
IC602		*	KSM-2003TN5B	ANALOGUE IC	M2M3M4
IC602		*	KSM-2003TN5B	ANALOGUE IC	M5M6C2
Q602			RT1P141M-X	D TRANSISTOR RT1P141M-T111	
CD PLAYER UNIT (X32-6430-00) IN CD MECHA					
CN101		*	QGF1049F1-26X	CONNECTOR	
CN102		*	QGF0522F3-15W	CONNECTOR	
B1			NRS181J-0R0X	MG RESISTOR RK73EB2E000J	
R1		*	NRSA63J-131X	MG RESISTOR	
SW1-4		*	NSW0291-001X	DETECT SWITCH	
ELECTRIC UNIT (X34-6900-xx)					
C1			NDC31HJ-150X	C CAPACITOR CC73GCH1H150J	
C2			NCB31HK-102X	C CAPACITOR CK73GB1H102K	
C3			NDC31HJ-7R0X	C CAPACITOR CC73GCH1H070D	KK1K2
C3			NDC31HJ-7R0X	C CAPACITOR CC73GCH1H070D	M5M6
C3,4			NDC31HJ-4R0X	C CAPACITOR CC73GCH1H040C	C2
C3,4			NDC31HJ-4R0X	C CAPACITOR CC73GCH1H040C	MM1M2
C3,4			NDC31HJ-4R0X	C CAPACITOR CC73GCH1H040C	M3M4C1
C4			NDC31HJ-6R0X	C CAPACITOR CC73GCH1H060D	KK1K2
C4			NDC31HJ-6R0X	C CAPACITOR CC73GCH1H060D	M5M6
C5			NCB31HK-102X	C CAPACITOR CK73GB1H102K	
C6			NCB31CK-224X	C CAPACITOR CK73GB1C224K	
C7			NDC31HJ-270X	C CAPACITOR CC73GCH1H270J	
C8			NCB31HK-103X	C CAPACITOR CK73GB1H103K	
C9		*	QEKJ1EM-106Z	E CAPACITOR	
C10			NCB21CK-105X	C CAPACITOR CK73FB1C105K	
C11			NCB31CK-224X	C CAPACITOR CK73GB1C224K	
C12			NCB31CK-104X	C CAPACITOR CK73GB1C104K	
C13			NDC31HJ-120X	C CAPACITOR CC73GCH1H120J	

K: KDC-148 K1: KDC-108 K2: KDC-MP148CR M: KDC-MP249G M1: KDC-MP249S M2: KDC-MP249A M3: KDC-MP2049 M4: KDC-MP149 M5: KDC-3051M M6: KDC-315M C1: KDC-MP1049 C2: KDC-MP3049 △ Indicates safety critical components.

PARTS LIST

ELECTRIC UNIT (X34-6900-xx)

Ref. No.	Ad	New	Parts No.	Description	Destination	Ref. No.	Ad	New	Parts No.	Description	Destination
C14			NCB31CK-104X	C CAPACITOR CK73GB1C104K		C557			NCB31EK-473X	C CAPACITOR CK73GB1E473K	
C15		*	QEKJ1CM-476Z	E CAPACITOR		C558,559			NCB31HK-104X	C CAPACITOR CK73GB1H104K	
C16			NCB31HK-103X	C CAPACITOR CK73GB1H103K		C560			NDC31HJ-101X	C CAPACITOR CC73GCH1H101J	
C17			NCB31CK-104X	C CAPACITOR CK73GB1C104K		C561,562			NCB31AK-105X	C CAPACITOR CK73GB1A105K	
C18			NCB31HK-103X	C CAPACITOR CK73GB1H103K		C563			NDC31HJ-101X	C CAPACITOR CC73GCH1H101J	
C19			NCB31CK-104X	C CAPACITOR CK73GB1C104K		C564			NCB20JK-106X	C CAPACITOR CK73FB0J106K	
C20 -22			NCB31HK-103X	C CAPACITOR CK73GB1H103K		C565,566			NCB31HK-104X	C CAPACITOR CK73GB1H104K	
C23			NCB21CK-105X	C CAPACITOR CK73FB1C105K		C567			NCB31AK-105X	C CAPACITOR CK73GB1A105K	
C24			NDC31HJ-2R0X	C CAPACITOR CC73GCH1H020C	KK1K2	C568-570			NCB31HK-104X	C CAPACITOR CK73GB1H104K	
C24			NDC31HJ-2R0X	C CAPACITOR CC73GCH1H020C	M5M6	C571			NDC31HJ-470X	C CAPACITOR CC73GCH1H470J	
C25			NDC31HJ-471X	C CAPACITOR CC73GCH1H471J		C572			NCB31HK-153X	C CAPACITOR CK73GB1H153K	
C26			NCB31HK-472X	C CAPACITOR CK73GB1H472K		C573			NCB31HK-104X	C CAPACITOR CK73GB1H104K	
C100			NCB31AK-105X	C CAPACITOR CK73GB1A105K		C574			NCB31HK-103X	C CAPACITOR CK73GB1H103K	
C102			NCB31AK-105X	C CAPACITOR CK73GB1A105K		C575			NCB31HK-152X	C CAPACITOR CK73GB1H152K	KK1K2
C103			NCB31CK-104X	C CAPACITOR CK73GB1C104K		C575			NCB31HK-272X	C CAPACITOR CK73GB1H272K	MM1M2
C110			NCB31AK-105X	C CAPACITOR CK73GB1A105K		C575			NCB31HK-272X	C CAPACITOR CK73GB1H272K	M3M4M5
C161,162			NCB31AK-105X	C CAPACITOR CK73GB1A105K		C575			NCB31HK-272X	C CAPACITOR CK73GB1H272K	M6C1C2
C163,164		*	QEKJ1HM-475Z	E CAPACITOR		C580,581			NCB31HK-102X	C CAPACITOR CK73GB1H102K	
C171		*	QEKJ1EM-106Z	E CAPACITOR		C590,591			NDC31HJ-101X	C CAPACITOR CC73GCH1H101J	
C172-174			NCB31AK-105X	C CAPACITOR CK73GB1A105K		C701-704			NCB31CK-104X	C CAPACITOR CK73GB1C104K	
C175			NCB31CK-104X	C CAPACITOR CK73GB1C104K		C705,706			NDC31HJ-180X	C CAPACITOR CC73GCH1H180J	
C176		*	QEKJ1CM-107Z	E CAPACITOR		C707			NCB31HK-104X	C CAPACITOR CK73GB1H104K	
C177			NCB31AK-105X	C CAPACITOR CK73GB1A105K		C711			NCB31CK-104X	C CAPACITOR CK73GB1C104K	
C305			NCB31AK-105X	C CAPACITOR CK73GB1A105K		C713			NCB31HK-103X	C CAPACITOR CK73GB1H103K	
C307		*	QEKJ1CM-226Z	E CAPACITOR		C715		*	QERF0JM-337Z	E CAPACITOR	
C310			NCB31AK-105X	C CAPACITOR CK73GB1A105K		C760,761			NCB31CK-104X	C CAPACITOR CK73GB1C104K	
C311-314			NCB21EK-224X	C CAPACITOR CK73FB1E224K		C771			NCB31HK-472X	C CAPACITOR CK73GB1H472K	
C315			NCB21CK-105X	C CAPACITOR CK73FB1C105K		C780			NCB31EK-473X	C CAPACITOR CK73GB1E473K	
C320		*	QEKJ1EM-106Z	E CAPACITOR		C890			NCB31HK-104X	C CAPACITOR CK73GB1H104K	
C321			NDC31HJ-101X	C CAPACITOR CC73GCH1H101J		C901		*	QEZ0934-338	E CAPACITOR	
C330		*	QEKJ1EM-106Z	E CAPACITOR		C902		*	QEKJ1CM-226Z	E CAPACITOR	
C331			NDC31HJ-101X	C CAPACITOR CC73GCH1H101J		C903		*	QEKJ1CM-476Z	E CAPACITOR	
C502			NCB31HK-104X	C CAPACITOR CK73GB1H104K		C904			NCB31HK-104X	C CAPACITOR CK73GB1H104K	
C504			NCB31HK-104X	C CAPACITOR CK73GB1H104K		C906,907		*	QEKJ1CM-107Z	E CAPACITOR	
C506		*	QERF1AM-107Z	E CAPACITOR		C908			NCB31CK-104X	C CAPACITOR CK73GB1C104K	
C507			NCB31CK-104X	C CAPACITOR CK73GB1C104K		C909,910		*	QEKJ1EM-106Z	E CAPACITOR	C2
C511,512			NDC31HJ-471X	C CAPACITOR CC73GCH1H471J		C909,910		*	QEKJ1EM-106Z	E CAPACITOR	MM1M2
C530-533			NCB20JK-106X	C CAPACITOR CK73FB0J106K		C909,910		*	QEKJ1EM-106Z	E CAPACITOR	M3M4C1
C534,535			NCB31HK-104X	C CAPACITOR CK73GB1H104K		C910		*	QEKJ1EM-106Z	E CAPACITOR	KK1K2
C540			NCB31HK-104X	C CAPACITOR CK73GB1H104K		C910		*	QEKJ1EM-106Z	E CAPACITOR	M5M6
C541			NCB31HK-222X	C CAPACITOR CK73GB1H222K		C911			NCB21EK-474X	C CAPACITOR CK73FB1E474K	
C542			NCB31HK-104X	C CAPACITOR CK73GB1H104K		C912-914			NCB31CK-104X	C CAPACITOR CK73GB1C104K	
C543			NCB31HK-103X	C CAPACITOR CK73GB1H103K		C931		*	QEKJ1CM-107Z	E CAPACITOR	
C544			NCB31HK-332X	C CAPACITOR CK73GB1H332K		C941,942			NCB31HK-104X	C CAPACITOR CK73GB1H104K	
C545			NCB31HK-104X	C CAPACITOR CK73GB1H104K		CN502		*	QGF1040F1-26	FPC CONNECTOR	
C546			NCB31AK-105X	C CAPACITOR CK73GB1A105K		CN701			QGZ1102J1-20	TDF CONNECTOR E58-1124-05	
C547			NCB31HK-153X	C CAPACITOR CK73GB1H153K		CN901			QNZ0607-001	CAR CONNECTOR E58-0991-05	
C548			NDC31HJ-680X	C CAPACITOR CC73GCH1H680J		J1		*	QNB0190-001	ANTENNA TERMINAL	
C549,550			NCB31HK-104X	C CAPACITOR CK73GB1H104K		J321		*	QNN0864-001	PIN JACK	
C551		*	NCJ11EK-106X-R	C CAPACITOR		L1			QQL231K-R27Y	INDUCTOR L40-2781-17	
C552			NCB31HK-333X	C CAPACITOR CK73GB1H333K		L2			QQL231K-4R7Y	INDUCTOR L40-4791-17	KK1K2
C553			NCB31HK-472X	C CAPACITOR CK73GB1H472K		L2			QQL231K-4R7Y	INDUCTOR L40-4791-17	M5M6
C554			NDC31HJ-391X	C CAPACITOR CC73GCH1H391J		L3			QQL231K-1R0Y	INDUCTOR L40-1091-17	C2
C555			NDC31HJ-681X	C CAPACITOR CC73GCH1H681J		L3			QQL231K-1R0Y	INDUCTOR L40-1091-17	MM1M2
C556			NCB31HK-683X	C CAPACITOR CK73GB1H683K							

K: KDC-148 K1: KDC-108 K2: KDC-MP148CR M: KDC-MP249G M1: KDC-MP249S M2: KDC-MP249A M3: KDC-MP2049 M4: KDC-MP149 M5: KDC-3051M M6: KDC-315M C1: KDC-MP1049 C2: KDC-MP3049 △Indicates safety critical components.

PARTS LIST

ELECTRIC UNIT (X34-6900-xx)

Ref. No.	Add	New	Parts No.	Description	Destination	Ref. No.	Add	New	Parts No.	Description	Destination
L3			QQL231K-1R0Y	INDUCTOR L40-1091-17	M3M4C1	R7 ,8			NRSA02J-470X	MG RESISTOR RK73FB2B470J	
L3 ,4			QQL231K-R47Y	INDUCTOR L40-4781-17	KK1K2	R9 ,10			NRSA63J-221X	MG RESISTOR RK73GB2A221J	
L3 ,4			QQL231K-R47Y	INDUCTOR L40-4781-17	M5M6	R11			NRS181J-0R0X	MG RESISTOR RK73EB2E000J	
L4			QQL231K-R47Y	INDUCTOR L40-4781-17	C2	R12			NRSA63J-0R0X	MG RESISTOR RK73GB2A000J	M5M6
L4			QQL231K-R47Y	INDUCTOR L40-4781-17	MM1M2	R12 ,13			NRSA63J-0R0X	MG RESISTOR RK73GB2A000J	C2
L4			QQL231K-R47Y	INDUCTOR L40-4781-17	M3M4C1	R12 ,13			NRSA63J-0R0X	MG RESISTOR RK73GB2A000J	MM1M2
L5			QQL231K-1R8Y	INDUCTOR L40-1891-17	KK1K2	R12 ,13			NRSA63J-0R0X	MG RESISTOR RK73GB2A000J	M3M4C1
L5			QQL231K-1R8Y	INDUCTOR L40-1891-17	M5M6	R14 ,15			NRS181J-0R0X	MG RESISTOR RK73EB2E000J	
L5			QQL231K-3R3Y	INDUCTOR L40-3391-17	C2	R100			NRSA63J-473X	MG RESISTOR RK73GB2A473J	
L5			QQL231K-3R3Y	INDUCTOR L40-3391-17	MM1M2	R101			NRSA63J-471X	MG RESISTOR RK73GB2A471J	
L5			QQL231K-3R3Y	INDUCTOR L40-3391-17	M3M4C1	R102			NRSA63J-0R0X	MG RESISTOR RK73GB2A000J	
L6		*	QQR1872-001	RF COIL		R110			NRSA63J-473X	MG RESISTOR RK73GB2A473J	
L7 ,8		*	QQL244J-561Z	INDUCTOR		R111			NRSA63J-0R0X	MG RESISTOR RK73GB2A000J	
L9			QQL231K-4R7Y	INDUCTOR L40-4791-17		R161			NRS181J-0R0X	MG RESISTOR RK73EB2E000J	
L10			NQR0269-026X	FERRITE BEADS L92-0609-05	KK1K2	R162			NRS181J-1R0X	MG RESISTOR RK73EB2E1R0J	
L503,504			NQR0502-001X	FERRITE BEADS L92-0879-05		R163			NRS181J-222X	MG RESISTOR RK73EB2E222J	
L701			QQL231K-4R7Y	INDUCTOR L40-4791-17		R164,165			NRSA63J-221X	MG RESISTOR RK73GB2A221J	
L901		*	QQR1882-001	CHOKO COIL		R166			NRSA63J-0R0X	MG RESISTOR RK73GB2A000J	
X1		*	QAX0956-001Z	CRYSTAL		R167			NRSA63J-103X	MG RESISTOR RK73GB2A103J	
X540		*	QAX0714-001Z	C RESONATOR		R168			NRS181J-0R0X	MG RESISTOR RK73EB2E000J	
X701			QAX0955-001Z	C RESONATOR L78-0879-05		R169,170			NRSA63J-0R0X	MG RESISTOR RK73GB2A000J	
X702		*	QAX0401-001	CRYSTAL		R171			NRS181J-0R0X	MG RESISTOR RK73EB2E000J	
F	2D	*	GE40377-005A	SPECIAL SCREW		R302			NRSA63J-473X	MG RESISTOR RK73GB2A473J	
G	2D		QYSDSF2606ZA	TAP SCREW N82-2606-48		R303			NRS181J-100X	MG RESISTOR RK73EB2E100J	
H	2D	*	QYSDSG3006ZA	TAP SCREW		R305			NRSA63J-0R0X	MG RESISTOR RK73GB2A000J	
J	2D		QYSDST2608ZA	TAP SCREW N86-2608-48		R306,307			NRSA63J-0R0X	MG RESISTOR RK73GB2A000J	
K	2D		QYSDST2610ZA	TAP SCREW N86-2610-48		R308			NRS181J-0R0X	MG RESISTOR RK73EB2E000J	
B8 ,9			NRS181J-0R0X	MG RESISTOR RK73EB2E000J		R320			NRSA63J-331X	MG RESISTOR RK73GB2A331J	
B167			NRS181J-0R0X	MG RESISTOR RK73EB2E000J		R321			NRSA63J-223X	MG RESISTOR RK73GB2A223J	
B173			NRS181J-0R0X	MG RESISTOR RK73EB2E000J		R322			NRSA63J-181X	MG RESISTOR RK73GB2A181J	
B174			NRSA63J-0R0X	MG RESISTOR RK73GB2A000J							
B177			NRSA63J-0R0X	MG RESISTOR RK73GB2A000J							
B179			NRS181J-0R0X	MG RESISTOR RK73EB2E000J		R330			NRSA63J-331X	MG RESISTOR RK73GB2A331J	
B302,303			NRSA63J-0R0X	MG RESISTOR RK73GB2A000J		R331			NRSA63J-223X	MG RESISTOR RK73GB2A223J	
B316			NRS181J-0R0X	MG RESISTOR RK73EB2E000J		R332			NRSA63J-181X	MG RESISTOR RK73GB2A181J	
B515			NRSA63J-0R0X	MG RESISTOR RK73GB2A000J		R501			NRSA63J-203X	MG RESISTOR RK73GB2A203J	
B517			NRSA63J-0R0X	MG RESISTOR RK73GB2A000J		R502,503			NRSA63J-101X	MG RESISTOR RK73GB2A101J	
B520,521			NRS181J-0R0X	MG RESISTOR RK73EB2E000J		R504			NRS181J-513X	MG RESISTOR RK73EB2E513J	
B522,523			NRSA63J-0R0X	MG RESISTOR RK73GB2A000J		R505			NRS181J-223X	MG RESISTOR RK73EB2E223J	
B525			NRS181J-0R0X	MG RESISTOR RK73EB2E000J		R506			NRS181J-682X	MG RESISTOR RK73EB2E682J	
B553			NRSA63J-0R0X	MG RESISTOR RK73GB2A000J		R507			NRS181J-113X	MG RESISTOR RK73EB2E113J	
B733-735			NRS181J-0R0X	MG RESISTOR RK73EB2E000J		R508			NRS181J-0R0X	MG RESISTOR RK73EB2E000J	
B739			NRSA63J-0R0X	MG RESISTOR RK73GB2A000J							
B780			NRS181J-0R0X	MG RESISTOR RK73EB2E000J		R509			NRSA63J-393X	MG RESISTOR RK73GB2A393J	
B907			NRSA63J-0R0X	MG RESISTOR RK73GB2A000J		R510			NRSA63J-822X	MG RESISTOR RK73GB2A822J	
R1 ,2			NRSA63J-474X	MG RESISTOR RK73GB2A474J	C2	R511,512			NRSA63J-0R0X	MG RESISTOR RK73GB2A000J	
R1 ,2			NRSA63J-474X	MG RESISTOR RK73GB2A474J	MM1M2	R513,514			NRSA63J-822X	MG RESISTOR RK73GB2A822J	
R1 ,2			NRSA63J-474X	MG RESISTOR RK73GB2A474J		R515			NRS181J-0R0X	MG RESISTOR RK73EB2E000J	
R1 ,2			NRSA63J-684X	MG RESISTOR RK73GB2A684J	M3M4C1						
R1 ,2			NRSA63J-684X	MG RESISTOR RK73GB2A684J	KK1K2	R516			NRSA63J-101X	MG RESISTOR RK73GB2A101J	
R3			NRSA63J-100X	MG RESISTOR RK73GB2A100J	M5M6	R517			NRSA63J-822X	MG RESISTOR RK73GB2A822J	
R3			NRSA63J-100X	MG RESISTOR RK73GB2A100J	C2	R518,519			NRSA63J-0R0X	MG RESISTOR RK73GB2A000J	
R3			NRSA63J-100X	MG RESISTOR RK73GB2A100J	MM1M2	R520			NRSA63J-103X	MG RESISTOR RK73GB2A103J	
R3			NRSA63J-100X	MG RESISTOR RK73GB2A100J	M3M4C1	R521			NRSA63J-473X	MG RESISTOR RK73GB2A473J	
R4			NRSA63J-472X	MG RESISTOR RK73GB2A472J							

K: KDC-148 K1: KDC-108 K2: KDC-MP148CR M: KDC-MP249G M1: KDC-MP249S M2: KDC-MP249A Δ Indicates safety critical components.
 M3: KDC-MP2049 M4: KDC-MP149 M5: KDC-3051M M6: KDC-315M C1: KDC-MP1049 C2: KDC-MP3049

PARTS LIST

ELECTRIC UNIT (X34-6900-xx)

Ref. No.	Ad	New	Parts No.	Description	Destination
R530			NRSA63J-103X	MG RESISTOR RK73GB2A103J	
R531			NRSA63J-100X	MG RESISTOR RK73GB2A100J	
R532			NRS181J-0R0X	MG RESISTOR RK73EB2E000J	
R540			NRSA63J-221X	MG RESISTOR RK73GB2A221J	
R541			NRSA63J-0R0X	MG RESISTOR RK73GB2A000J	
R543			NRSA63J-0R0X	MG RESISTOR RK73GB2A000J	
R545			NRSA63J-225X	MG RESISTOR RK73GB2A225J	
R546			NRSA63J-4R7X	MG RESISTOR RK73GB2A4R7J	
R548			NRSA63J-104X	MG RESISTOR RK73GB2A104J	
R549			NRSA63J-102X	MG RESISTOR RK73GB2A102J	
R550			NRSA63J-472X	MG RESISTOR RK73GB2A472J	
R551,552			NRSA63J-0R0X	MG RESISTOR RK73GB2A000J	
R556			NRSA63J-473X	MG RESISTOR RK73GB2A473J	
R557,558			NRSA63J-4R7X	MG RESISTOR RK73GB2A4R7J	
R559			NRSA63J-105X	MG RESISTOR RK73GB2A105J	
R560			NRSA63J-471X	MG RESISTOR RK73GB2A471J	
R561			NRS181J-100X	MG RESISTOR RK73EB2E100J	
R562			NRSA63J-101X	MG RESISTOR RK73GB2A101J	
R563,564			NRSA63J-103X	MG RESISTOR RK73GB2A103J	
R565,566			NRSA63J-101X	MG RESISTOR RK73GB2A101J	
R567,568			NRSA63J-0R0X	MG RESISTOR RK73GB2A000J	
R569			NRSA63J-103X	MG RESISTOR RK73GB2A103J	
R570			NRSA63J-104X	MG RESISTOR RK73GB2A104J	
R571			NRSA63J-334X	MG RESISTOR RK73GB2A334J	
R572			NRSA63J-153X	MG RESISTOR RK73GB2A153J	
R573			NRSA63J-473X	MG RESISTOR RK73GB2A473J	
R574			NRS181J-332X	MG RESISTOR RK73EB2E332J	
R575			NRSA63J-473X	MG RESISTOR RK73GB2A473J	
R576,577			NRSA63J-103X	MG RESISTOR RK73GB2A103J	
R578			NRS181J-473X	MG RESISTOR RK73EB2E473J	
R580			NRSA63J-0R0X	MG RESISTOR RK73GB2A000J	
R586			NRSA63J-0R0X	MG RESISTOR RK73GB2A000J	
R595,596			NRSA63J-202X	MG RESISTOR RK73GB2A202J	
R701			NRS181J-473X	MG RESISTOR RK73EB2E473J	
R703			NRSA63J-101X	MG RESISTOR RK73GB2A101J	
R704			NRSA63J-473X	MG RESISTOR RK73GB2A473J	
R707			NRSA63J-101X	MG RESISTOR RK73GB2A101J	
R709			NRSA63J-102X	MG RESISTOR RK73GB2A102J	
R710			NRSA63J-101X	MG RESISTOR RK73GB2A101J	
R711			NRSA63J-103X	MG RESISTOR RK73GB2A103J	
R712			NRSA63J-101X	MG RESISTOR RK73GB2A101J	
R714,715			NRSA63J-101X	MG RESISTOR RK73GB2A101J	
R717			NRS181J-101X	MG RESISTOR RK73EB2E101J	
R718-721			NRSA63J-101X	MG RESISTOR RK73GB2A101J	
R723			NRSA63J-101X	MG RESISTOR RK73GB2A101J	
R724			NRS181J-101X	MG RESISTOR RK73EB2E101J	
R725			NRS181J-274X	MG RESISTOR RK73EB2E274J	
R726			NRSA63J-101X	MG RESISTOR RK73GB2A101J	
R727,728			NRSA63J-332X	MG RESISTOR RK73GB2A332J	
R729,730			NRSA63J-0R0X	MG RESISTOR RK73GB2A000J	
R731-735			NRSA63J-472X	MG RESISTOR RK73GB2A472J	
R737,738			NRSA63J-102X	MG RESISTOR RK73GB2A102J	
R739,740			NRSA63J-0R0X	MG RESISTOR RK73GB2A000J	
R741			NRS181J-103X	MG RESISTOR RK73EB2E103J	
R742			NRS181J-272X	MG RESISTOR RK73EB2E272J	

Ref. No.	Ad	New	Parts No.	Description	Destination
R747			NRSA63J-333X	MG RESISTOR RK73GB2A333J	C2
R747			NRSA63J-333X	MG RESISTOR RK73GB2A333J	KK1MM1
R747			NRSA63J-333X	MG RESISTOR RK73GB2A333J	M2M3M4
R747			NRSA63J-333X	MG RESISTOR RK73GB2A333J	M5M6C1
R747			NRSA63J-393X	MG RESISTOR RK73GB2A393J	K2
R748			NRSA63J-153X	MG RESISTOR RK73GB2A153J	C2
R748			NRSA63J-153X	MG RESISTOR RK73GB2A153J	KK1MM1
R748			NRSA63J-153X	MG RESISTOR RK73GB2A153J	M2M3M4
R748			NRSA63J-153X	MG RESISTOR RK73GB2A153J	M5M6C1
R748			NRSA63J-822X	MG RESISTOR RK73GB2A822J	K2
R749			NRSA63J-333X	MG RESISTOR RK73GB2A333J	C2
R749			NRSA63J-333X	MG RESISTOR RK73GB2A333J	MM1M2
R749			NRSA63J-333X	MG RESISTOR RK73GB2A333J	M3M4C1
R749			NRSA63J-393X	MG RESISTOR RK73GB2A393J	M5M6
R750			NRSA63J-153X	MG RESISTOR RK73GB2A153J	C2
R750			NRSA63J-153X	MG RESISTOR RK73GB2A153J	MM1M2
R750			NRSA63J-153X	MG RESISTOR RK73GB2A153J	M3M4C1
R750			NRSA63J-473X	MG RESISTOR RK73GB2A473J	KK1K2
R750			NRSA63J-822X	MG RESISTOR RK73GB2A822J	M5M6
R751,752			NRS181J-473X	MG RESISTOR RK73EB2E473J	
R753,754			NRSA63J-472X	MG RESISTOR RK73GB2A472J	
R757			NRSA63J-101X	MG RESISTOR RK73GB2A101J	
R758			NRSA63J-103X	MG RESISTOR RK73GB2A103J	
R760			NRSA63J-472X	MG RESISTOR RK73GB2A472J	
R761,762			NRS125J-150X	MG RESISTOR RK73RB2H150J	
R765,766			NRS125J-150X	MG RESISTOR RK73RB2H150J	
R768			NRSA63J-102X	MG RESISTOR RK73GB2A102J	
R771,772			NRS181J-221X	MG RESISTOR RK73EB2E221J	
R773,774			NRS181J-0R0X	MG RESISTOR RK73EB2E000J	
R775			NRSA63J-0R0X	MG RESISTOR RK73GB2A000J	
R776			NRS181J-0R0X	MG RESISTOR RK73EB2E000J	
R780			NRSA63J-473X	MG RESISTOR RK73GB2A473J	
R781			NRSA63J-331X	MG RESISTOR RK73GB2A331J	
R784,785			NRSA63J-472X	MG RESISTOR RK73GB2A472J	
R850			NRS181J-472X	MG RESISTOR RK73EB2E472J	C2
R850			NRS181J-472X	MG RESISTOR RK73EB2E472J	MM1M2
R850			NRS181J-472X	MG RESISTOR RK73EB2E472J	M3M4C1
R890			NRSA63J-103X	MG RESISTOR RK73GB2A103J	
R891			NRSA63J-683X	MG RESISTOR RK73GB2A683J	
R892			NRSA63J-0R0X	MG RESISTOR RK73GB2A000J	
R893			NRSA63J-123X	MG RESISTOR RK73GB2A123J	
R901			NRSA63J-155X	MG RESISTOR RK73GB2A155J	
R902			NRSA02J-273X	MG RESISTOR RK73FB2B273J	
R903,904			NRSA02J-472X	MG RESISTOR RK73FB2B472J	
R905			QRE141J-103Y	CF RESISTOR RD14BB2C103J	
R906			NRSA63J-102X	MG RESISTOR RK73GB2A102J	
R907			NRSA63J-331X	MG RESISTOR RK73GB2A331J	
R908			NRS181J-243X	MG RESISTOR RK73EB2E243J	
R909			NRSA63J-473X	MG RESISTOR RK73GB2A473J	
R910			NRSA63J-103X	MG RESISTOR RK73GB2A103J	
R912			NRSA63J-0R0X	MG RESISTOR RK73GB2A000J	
R941			NRS181J-472X	MG RESISTOR RK73EB2E472J	
R970			NRSA63J-473X	MG RESISTOR RK73GB2A473J	
R971,972			NRSA02J-103X	MG RESISTOR RK73FB2B103J	
R973			NRS181J-203X	MG RESISTOR RK73EB2E203J	

K: KDC-148 K1: KDC-108 K2: KDC-MP148CR M: KDC-MP249G M1: KDC-MP249S M2: KDC-MP249A M3: KDC-MP2049 M4: KDC-MP149 M5: KDC-3051M M6: KDC-315M C1: KDC-MP1049 C2: KDC-MP3049 △Indicates safety critical components.

PARTS LIST

ELECTRIC UNIT (X34-6900-xx)

Ref. No.	A	N	Parts No.	Description	Desti- nation	Ref. No.	A	N	Parts No.	Description	Desti- nation
	d	e					d	e			
R974			NRSA63J-473X	MG RESISTOR	RK73GB2A473J	23	2B	*	LV37061-001A	DAMPER (REAR)	
R975			NRSA02J-473X	MG RESISTOR	RK73FB2B473J	24	2B	*	LV38951-501A	TRIGGER RACK	
R976			NRS181J-683X	MG RESISTOR	RK73EB2E683J	26	1B	*	LV38952-501A	FL SLIDER (B)	
S701			QSW0648-001Z	TACT SWITCH	S70-0959-05	27	1B	*	LV38953-501A	TRIGGER PLATE	
D101		*	DZ2J068/M/-X	ZENER DIODE		28	1A	*	LV38956-501A	SW SLIDER (L)	
D111		*	DZ2J068/M/-X	ZENER DIODE		29	2A	*	LV38957-501A	SW SLIDER (R)	
D502		*	GS1J-LTP-X	SILICON DIODE		31	1A	*	LV38958-501A	JOINT PLATE	
D540		*	DA2J101-X	SILICON DIODE		32	2A	*	LV38959-501A	SW ACTUATOR	
D703		*	MBRX130-TP-X	SB DIODE		33	2B	*	LV38960-501A	FEED RACK	
D704		*	DZ2J051/M/-X	ZENER DIODE		37	3B	*	LV38964-501A	D.WHEEL GEAR	
D780,781		*	BAW56-TP-X	SILICON DIODE	BAW56W	38	3B	*	LV38965-501A	ACT GEAR (1)	
D782		*	DA2J101-X	SILICON DIODE		39	3B	*	LV38966-501A	ACT GEAR (2)	
D784		*	BAW56-TP-X	SILICON DIODE	BAW56W	41	3B	*	LV38967-501A	ACT GEAR (3)	
D850,851		*	MBRX130-TP-X	SB DIODE		42	3B	*	LV38968-501A	ROLLER ACT GEAR	
D850,851			MBRX130-TP-X	SB DIODE		43	3B	*	LV38969-501A	DRIVE GEAR	
D850,851			MBRX130-TP-X	SB DIODE		46	1A	*	LV39009-501A	JOINT LEVER	
D890			BAW56-TP-X	SILICON DIODE	BAW56W	48	3B	*	LV44555-001A	MAIN SHAFT	
D901			1N5401-BPC04	SILICON DIODE		51	2A	*	LV45424-001A	HC ROLLER	
D941,942			MBRX130-TP-X	SB DIODE		55	2A	*	X94-2180-00	HC ROLLER SHAFT ASSY (SVC PRT)	
D970,971		*	DZ2J068/M/-X	ZENER DIODE		61	2B	*	LV45415-501A	TRIGGER SPRING	
IC1		*	TEF6614TV1S3-X	ANALOGUE IC		62	2B	*	LV45416-501A	LOAD CAM SPRING	
IC1		*	TEF6614TV1S4-X	ANALOGUE IC		63	1B	*	LV45417-501A	FL SLIDER SPRING	
IC1		*	TEF6614TV1S4-X	ANALOGUE IC		64	3A	*	LV45418-501A	R.ARM SPRING	
IC1		*	TEF6614TV1S4-X	ANALOGUE IC		66	1A	*	LV45420-501A	SW SLIDER SPRING	
IC161			TDA7718N-X	ANALOGUE IC	E-TDA7718N	67	1B	*	LV45421-501A	HC CL SPRING	
IC301			TB2926CHQ	ANALOGUE IC		68	2B	*	LV45422-501A	SUS SPRING (F)	
IC501			LA6565-X	ANALOGUE IC	LA6565	69	2B	*	LV45423-501A	SUS SPRING (B)	
IC530		*	XC6213B332NG-X	ANALOGUE IC		71	2A	*	LV45505-501A	SW ACT SPRING	
IC531,532		*	XC6213B152NG-X	ANALOGUE IC		76	2A	*	LV11689-501A	DISC GUIDE	
IC540		*	JCV8021	MOS-IC		77	3B	*	LV22828-501A	FEED BRACKET	
IC701		*	W05-1642-00	MCU-IC		78	3B	*	LV36813-501A	SUB GUIDE CAP	
IC702		*	XC6120N282NG-X	MOS-IC	XC6120N282N-G	79	1B	*	LV36819-501A	CLAMPER	
IC771		*	R1EX24002ASAAX	ROM-IC		81	3A	*	LV38954-501A	R.ARM GUIDE	
IC780		*	TC7WH02FU-X	MOS-IC		83	2A	*	LV45411-501A	RA COLLER (L)	
IC901		*	LV5680P	ANALOGUE IC		86	3A	*	QAL0817-003	FPC	
IC931		*	XC6213B332NG-X	ANALOGUE IC		A	2A	*	LV45270-001A	WASHER (2)	
Q540		*	2SA2188/F/-X	SS TRANSISTOR		B	2A	*	LV45449-001A	WASHER	
Q780			RT1P241C-X	D TRANSISTOR	RT1P241C-T112	C	2B	*	QYSPSGT1745ZA	TAP SCREW	
Q782			IMX9-W	P TRANSISTOR	IMX9	D	2B	*	QYSPSPT1720MA	SCREW	
Q901			2SA812A/5-6/-X	SS TRANSISTOR		E	2B	*	QYSPSPT2025MA	SCREW	
Q902			RT1N441C-X	D TRANSISTOR	RT1N441C-T112	F	3A	*	VKZ4539-054	MINI SCREW	
Q970,971		*	2SC1623A/5-6/X	SS TRANSISTOR		DPU1	3B	*	QAL1226-001	PICK UP	
Q972		*	RT1P144C-X	D TRANSISTOR	RT1P144C-T112	DM1	2B	*	X94-2150-00	SPINDLE MOTOR ASSY (SVC PRT)	
MECHANISM ASSY (X92-6630-00) HCS-1000W											
1	1B	*	LV11685-501A	TOP FRAME		DM2	3B	*	X94-2160-00	FEED MOTOR ASSY (SVC PRT)	
2	3A	*	LV11686-501A	BOTTOM FRAME		DM3	3A	*	X94-2170-00	LOADING MOTOR ASSY (SVC PRT)	
12	3B	*	LV11688-501A	LOADING BASE							
13	2A	*	LV11690-501A	ROLLER ARM							
14	1B	*	LV22825-501A	HC CLAMPER BASE							
16	2B	*	LV22826-501A	LOAD CAM							
17	1A	*	LV22827-501A	FL SLIDER (L)							
21	2B	*	LV36815-501A	F WHEEL GEAR							
22	2A	*	LV36904-001A	DAMPER (FRONT)							

K: KDC-148 K1: KDC-108 K2: KDC-MP148CR M: KDC-MP249G M1: KDC-MP249S M2: KDC-MP249A M3: KDC-MP2049 M4: KDC-MP149 M5: KDC-3051M M6: KDC-315M C1: KDC-MP1049 C2: KDC-MP3049 △ Indicates safety critical components.