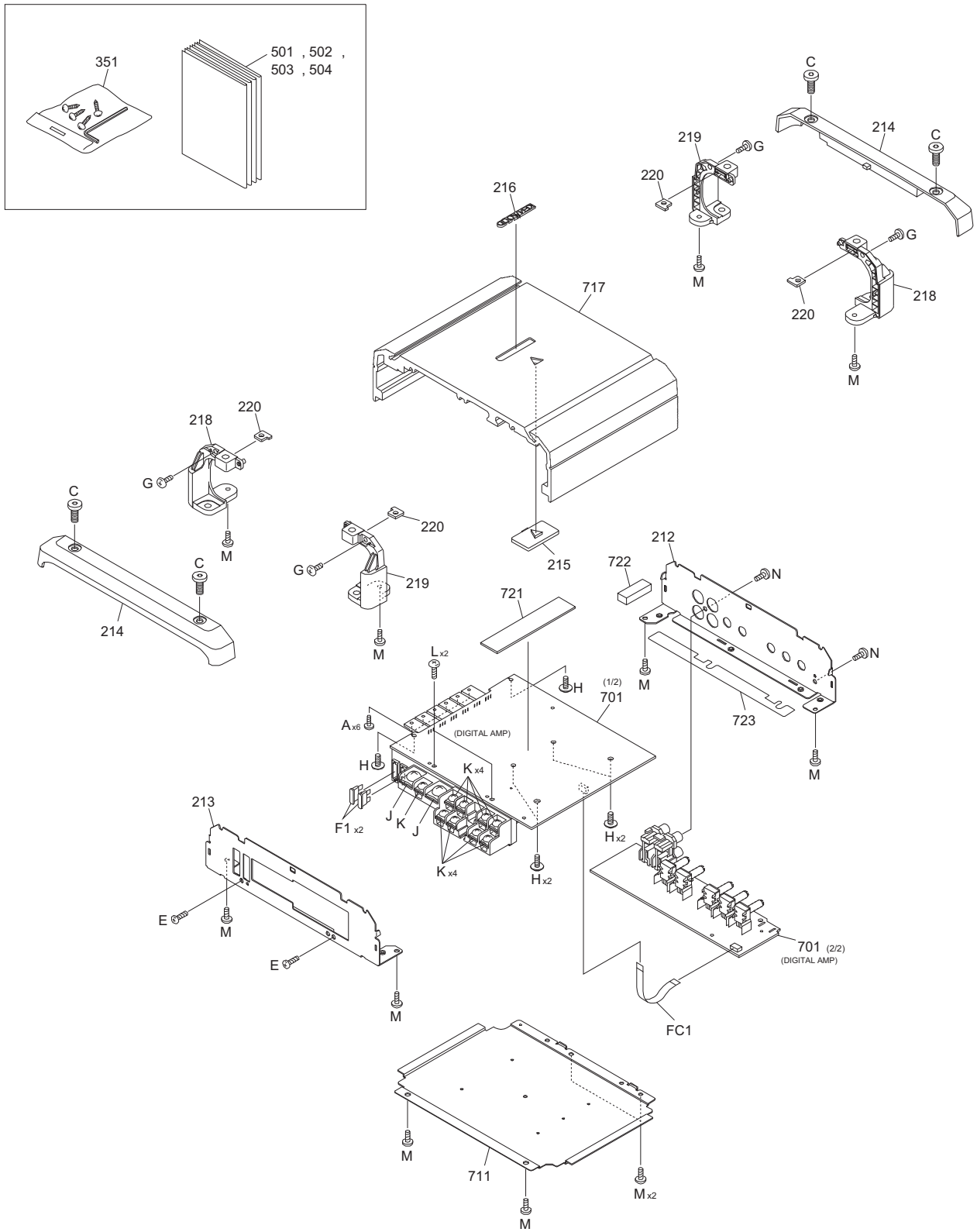


EXPLODED VIEW

Block No.M1MM



Parts with the exploded numbers larger than 700 are not supplied.

MODEL	MARK	MODEL	MARK	MODEL	MARK
KAC-304	K1	X301-4	K0	X301-4	W1

Safe	Symbol No.	Parts No.	Parts Name	Description	QTY	Local
------	------------	-----------	------------	-------------	-----	-------

EXPLODED VIEW <M1MM>

△	F1	F52-0043-05	FUSE		2	
	FC1	EF0AD0514X5BE	FFC WIRE		1	
	A	N89-2608-48	BI.HEAD T.SCREW		6	
	C	N09-6898-05	DRESSED SCREW		4	K1
	C	N09-6897-05	DRESSED SCREW		4	K0,W1
	E	N80-3010-43	P.HEAD T.SCREW		2	
	G	N89-3010-43	BI.HEAD T.SCREW		4	K1
	G	N89-3008-43	BI.HEAD T.SCREW		4	K0,W1
	H	N09-6952-05	TAPTITE SCREW		6	
	J	N09-6393-08	SCREW (M6 Ni)		2	
	K	N09-4215-08	SCREW (M4 Ni)		9	
	L	N09-6447-05	TAPTITE SCREW		2	
	M	N89-3006-48	BI.HEAD T.SCREW		12	
	N	N89-3008-43	BI.HEAD T.SCREW		2	
	212	A6A-0021-00	PANEL		1	
	213	A6A-0025-00	PANEL		1	
	214	B07-3366-22	ESCUTCHEON		2	
	215	B19-2623-04	LIGHTING BOARD		1	
	216	B43-1553-04	BADGE		1	
	218	J02-1213-02	FOOT		2	
	219	J02-1214-02	FOOT		2	
	220	J22-2077-14	MOUNTING		4	
	351	N99-1820-05	SCREW WRENCH		1	
	501	B5A-1007-10	INST.MANUAL	ENG FRE SPA	1	K1
	501	B5A-1007-00	INST.MANUAL	ENG FRE SPA	1	K0,W1
	502	B5A-1008-00	INST.MANUAL	GER ITA DUT	1	W1
	503	B5A-1009-00	INST.MANUAL	POR RUS UKR	1	W1
	504	B5A-1010-00	INST.MANUAL	ENG CHI(PEKIN)	1	W1
	701	-----	DIGITAL AMP PWB ASSY	NO SERVICE PART	1	
	711	-----	BOTTOM PLATE	NO SERVICE PART	1	
	717	-----	HEAT SINK ASSY	NO SERVICE PART	1	K1
	717	-----	HEAT SINK ASSY	NO SERVICE PART	1	K0
	717	-----	HEAT SINK ASSY	NO SERVICE PART	1	W1
	721	-----	COOL SHEET	NO SERVICE PART	1	
	722	-----	COOL SHEET	NO SERVICE PART	1	
	723	-----	INS.SHEET	NO SERVICE PART	1	

MODEL	MARK	MODEL	MARK	MODEL	MARK
KAC-304	K1	X301-4	K0	X301-4	W1

Safe	Symbol No.	Parts No.	Parts Name	Description	QTY	Local
MAIN PWB ASSY (XK1-057K-00) <XK1>						
	IC1	IRS2052MPBF		ANALOG IC	1	
	IC2	IRS2052MPBF		ANALOG IC	1	
	IC3	NJM4565E-ZB		ANALOGUE IC	1	
	IC4	NJM4565E-ZB		ANALOGUE IC	1	
	IC5	TL494IDR		ANALOGUE IC	1	
	IC6	BA10358F		ANALOGUE IC	1	
	IC7	BA10358F		ANALOGUE IC	1	
	IC8	BA2901SFV		ANALOG IC	1	
	IC500	BA4564RFV		ANALOGUE IC	1	
	IC501	BA4564RFV		ANALOGUE IC	1	
	IC503	BA4560RF		ANALOGUE IC	1	
	IC504	BA4560RF		ANALOGUE IC	1	
	IC505	BA4560RF		ANALOGUE IC	1	
	IC506	BA4560RF		ANALOGUE IC	1	
	IC600	BA4564RFV		ANALOGUE IC	1	
	IC601	BA4564RFV		ANALOGUE IC	1	
	IC603	BA4560RF		ANALOGUE IC	1	
	IC604	BA4560RF		ANALOGUE IC	1	
	IC605	BA4560RF		ANALOGUE IC	1	
	IC606	BA4560RF		ANALOGUE IC	1	
	IC607	BA4560RF		ANALOGUE IC	1	
	IC608	BA4560RF		ANALOGUE IC	1	
	Q1	IMT4		DUAL TRANSISTOR	1	
	Q2	IMT4		DUAL TRANSISTOR	1	
	Q3	2SC4154(F)		TRANSISTOR	1	
	Q5	IRFH7194PBF		FET	1	
	Q6	IRFH7194PBF		FET	1	
	Q7	IRFH7194PBF		FET	1	
	Q8	IRFH7194PBF		FET	1	
	Q101	IMT4		DUAL TRANSISTOR	1	
	Q102	IMT4		DUAL TRANSISTOR	1	
	Q105	IRFH7194PBF		FET	1	
	Q106	IRFH7194PBF		FET	1	
	Q107	IRFH7194PBF		FET	1	
	Q108	IRFH7194PBF		FET	1	
	Q301	2SC4154(F)		TRANSISTOR	1	
	Q302	2SAR293P		TRANSISTOR	1	
	Q303	2SC4154(F)		TRANSISTOR	1	
	Q304	LTA014EUBFS8		DIGI TRANSISTOR	1	
	Q305	LTC014EUBFS8		DIGI TRANSISTOR	1	
	Q306	2SA1577		TRANSISTOR	1	
	Q307	2SA1577		TRANSISTOR	1	
	Q308	STP60NF06FP		FET	1	
	Q309	STP60NF06FP		FET	1	
	Q310	STP60NF06FP		FET	1	
	Q311	STP60NF06FP		FET	1	
	Q312	2SCR533D		TRANSISTOR	1	
	Q313	2SAR533D		TRANSISTOR	1	
	Q316	2SCR293P		TRANSISTOR	1	
	Q317	2SAR293P		TRANSISTOR	1	
	Q318	2SCR533D		TRANSISTOR	1	
	Q319	LTC014EUBFS8		DIGI TRANSISTOR	1	
	Q320	LTC014EUBFS8		DIGI TRANSISTOR	1	
	Q322	ISA1602AM1(F)		TRANSISTOR	1	
	Q323	2SC4154(F)		TRANSISTOR	1	
	Q324	2SC4154(F)		TRANSISTOR	1	
	Q325	2SC4154(F)		TRANSISTOR	1	
	Q326	2SC4154(F)		TRANSISTOR	1	
	Q327	2SC4154(F)		TRANSISTOR	1	
	Q331	LTA014EUBFS8		DIGI TRANSISTOR	1	
	Q332	LTA014EUBFS8		DIGI TRANSISTOR	1	
	Q333	LTC014EUBFS8		DIGI TRANSISTOR	1	
	Q334	LTA014EUBFS8		DIGI TRANSISTOR	1	
	Q500	2SC4154(F)		TRANSISTOR	1	
	Q501	2SC4154(F)		TRANSISTOR	1	
	Q600	2SC4154(F)		TRANSISTOR	1	
	Q601	2SC4154(F)		TRANSISTOR	1	
	Q701	2SC4154(F)		TRANSISTOR	1	
	Q702	LTA014EUBFS8		DIGI TRANSISTOR	1	
	D1	DA204U		MULTIPLE DIODE	1	
	D2	DA204U		MULTIPLE DIODE	1	
	D5	RF101L2S		DIODE	1	
	D6	RF101L2S		DIODE	1	
	D7	DA2J101		DIODE	1	
	D8	DA2J101		DIODE	1	
	D9	LM1MA142WK-G		DIODE	1	
	D101	DA204U		MULTIPLE DIODE	1	
	D102	DA204U		MULTIPLE DIODE	1	
	D105	RF101L2S		DIODE	1	
	D106	RF101L2S		DIODE	1	
	D107	DA2J101		DIODE	1	
	D108	DA2J101		DIODE	1	
	D301	DZ2J033M		ZENER DIODE	1	
	D302	DZ2J150M		ZENER DIODE	1	
	D303	DA2J101		DIODE	1	
	D304	DZ2J068M		ZENER DIODE	1	
	D305	DA2J101		DIODE	1	
	D306	B30-1743-05		LED(RE D LED)	1	
	D307	DA2J101		DIODE	1	
	D308	DA2J101		DIODE	1	
	D309	SDURF1030CT		DIODE	1	

MODEL	MARK	MODEL	MARK	MODEL	MARK
KAC-304	K1	X301-4	K0	X301-4	W1

Safe	Symbol No.	Parts No.	Parts Name	Description	QTY	Local
	D310	SDURF1030CTR	DIODE		1	
	D311	DZ2J047M	ZENER DIODE		1	
	D312	DA2J101	DIODE		1	
	D313	DZ2J150M	ZENER DIODE		1	
	D314	DZ2J150M	ZENER DIODE		1	
	D315	DZ2J056M	ZENER DIODE		1	
	D316	DZ2J056M	ZENER DIODE		1	
	D317	DZ2J120M	ZENER DIODE		1	
	D318	DZ2J051M	ZENER DIODE		1	
	D319	LM1MA142WK-G	DIODE		1	
	D320	LM1MA142WK-G	DIODE		1	
	D321	DA2J101	DIODE		1	
	D322	DA2J101	DIODE		1	
	D323	DA2J101	DIODE		1	
	D324	DA2J101	DIODE		1	
	D325	DA2J101	DIODE		1	
	D326	DA2J101	DIODE		1	
	D327	DZ2J120M	ZENER DIODE		1	
	D329	DA2J101	DIODE		1	
	D500	LM1MA142WK-G	DIODE		1	
	D501	LM1MA142WK-G	DIODE		1	
	D502	LM1MA142WA-G	DIODE		1	
	D503	LM1MA142WA-G	DIODE		1	
	D600	LM1MA142WK-G	DIODE		1	
	D601	LM1MA142WK-G	DIODE		1	
	D602	LM1MA142WA-G	DIODE		1	
	D603	LM1MA142WA-G	DIODE		1	
	D701	LM1MA142WK-G	DIODE		1	
	C1	CC730BE1H221J	C CAPACITOR	220pF 50V J	1	K1
	C1	CC73GCH1H221J	C CAPACITOR	220pF 50V J	1	K0,W1
	C2	CC730BE1H221J	C CAPACITOR	220pF 50V J	1	K1
	C2	CC73GCH1H221J	C CAPACITOR	220pF 50V J	1	K0,W1
	C3	CC73GCH1H471J	C CAPACITOR	470pF 50V J	1	
	C4	CC73GCH1H471J	C CAPACITOR	470pF 50V J	1	
	C5	CE32CL1C100M	E CAPACITOR	10uF 16V M	1	
	C6	CE32CL1C100M	E CAPACITOR	10uF 16V M	1	
	C9	CK73FXR1C106K	C CAPACITOR	10uF 16V K	1	
	C11	CK73FXR1C106K	C CAPACITOR	10uF 16V K	1	
	C13	CK730DH1H104K	C CAPACITOR	0.1uF 50V K	1	K1
	C13	CK73GBB1H104K	C CAPACITOR	0.1uF 50V K	1	K0,W1
	C15	CK73FXR1C106K	C CAPACITOR	10uF 16V K	1	
	C17	CC73GCH1H102J	C CAPACITOR	1000pF 50V J	1	
	C18	CC73GCH1H102J	C CAPACITOR	1000pF 50V J	1	
	C19	CC73GCH1H102J	C CAPACITOR	1000pF 50V J	1	
	C20	CC73GCH1H102J	C CAPACITOR	1000pF 50V J	1	
	C21	CC73GCH1H102J	C CAPACITOR	1000pF 50V J	1	
	C22	CC73GCH1H102J	C CAPACITOR	1000pF 50V J	1	
	C23	CK730DH1H104K	C CAPACITOR	0.1uF 50V K	1	K1
	C23	CK73GBB1H104K	C CAPACITOR	0.1uF 50V K	1	K0,W1
	C24	CK730DH1H104K	C CAPACITOR	0.1uF 50V K	1	K1
	C24	CK73GBB1H104K	C CAPACITOR	0.1uF 50V K	1	K0,W1
	C25	CK73FXR1C106K	C CAPACITOR	10uF 16V K	1	
	C26	CK73FXR1C106K	C CAPACITOR	10uF 16V K	1	
	C27	CK730DH1H104K	C CAPACITOR	0.1uF 50V K	1	K1
	C27	CK73GBB1H104K	C CAPACITOR	0.1uF 50V K	1	K0,W1
	C28	CK730DH1H104K	C CAPACITOR	0.1uF 50V K	1	K1
	C28	CK73GBB1H104K	C CAPACITOR	0.1uF 50V K	1	K0,W1
	C29	CK73EXR1C226K	C CAPACITOR	22uF 16V K	1	
	C30	CK73EXR1C226K	C CAPACITOR	22uF 16V K	1	
	C31	CC73GCH1H102J	C CAPACITOR	1000pF 50V J	1	
	C32	CC73GCH1H102J	C CAPACITOR	1000pF 50V J	1	
	C33	CC73GCH1H102J	C CAPACITOR	1000pF 50V J	1	
	C34	CC73GCH1H102J	C CAPACITOR	1000pF 50V J	1	
	C35	CC73GCH1H102J	C CAPACITOR	1000pF 50V J	1	
	C36	CC73GCH1H102J	C CAPACITOR	1000pF 50V J	1	
	C37	CC73GCH1H102J	C CAPACITOR	1000pF 50V J	1	
	C38	CC73GCH1H102J	C CAPACITOR	1000pF 50V J	1	
	C39	CK73FBB1H224K	C CAPACITOR	0.22uF 50V K	1	
	C40	CK73FBB1H224K	C CAPACITOR	0.22uF 50V K	1	
	C41	CK73FBB1H224K	C CAPACITOR	0.22uF 50V K	1	
	C42	CK73FBB1H224K	C CAPACITOR	0.22uF 50V K	1	
	C43	CC73GCH1H151J	C CAPACITOR	150pF 50V J	1	
	C44	CC73GCH1H151J	C CAPACITOR	150pF 50V J	1	
	C45	CK730DH1H104K	C CAPACITOR	0.1uF 50V K	1	K1
	C45	CK73GBB1H104K	C CAPACITOR	0.1uF 50V K	1	K0,W1
	C46	CK730DH1H104K	C CAPACITOR	0.1uF 50V K	1	K1
	C46	CK73GBB1H104K	C CAPACITOR	0.1uF 50V K	1	K0,W1
	C47	CE32CC1V220M	E CAPACITOR	22uF 35V M	1	
	C49	CK730DH1H104K	C CAPACITOR	0.1uF 50V K	1	K1
	C49	CK73GBB1H104K	C CAPACITOR	0.1uF 50V K	1	K0,W1
	C50	CK730DH1H104K	C CAPACITOR	0.1uF 50V K	1	K1
	C50	CK73GBB1H104K	C CAPACITOR	0.1uF 50V K	1	K0,W1
	C51	CE32CC1V220M	E CAPACITOR	22uF 35V M	1	
	C53	CB19FAW1H334J	CFILM CAPACITOR	0.33uF 50V J	1	
	C54	CB19FAW1H334J	CFILM CAPACITOR	0.33uF 50V J	1	
	C55	CK73GBB1H683K	C CAPACITOR	0.068uF 50V K	1	
	C56	CK73GBB1H683K	C CAPACITOR	0.068uF 50V K	1	
	C57	CK73GBB1H103K	C CAPACITOR	0.01uF 50V K	1	
	C58	CK73GBB1H103K	C CAPACITOR	0.01uF 50V K	1	
	C59	CK73GBB1H103K	C CAPACITOR	0.01uF 50V K	1	
	C60	CK73GBB1H103K	C CAPACITOR	0.01uF 50V K	1	
	C61	CK73GBB1H103K	C CAPACITOR	0.01uF 50V K	1	

MODEL	MARK	MODEL	MARK	MODEL	MARK
KAC-304	K1	X301-4	K0	X301-4	W1

Safe	Symbol No.	Parts No.	Parts Name	Description	QTY	Local
	C62	CK73GGB1H103K	C CAPACITOR	0.01uF 50V K	1	
	C63	CK73GGB1H103K	C CAPACITOR	0.01uF 50V K	1	
	C64	CK73GGB1H103K	C CAPACITOR	0.01uF 50V K	1	
	C65	CK73GGB1H103K	C CAPACITOR	0.01uF 50V K	1	
	C66	CK73GGB1H103K	C CAPACITOR	0.01uF 50V K	1	
	C67	CK73GGB1H222K	C CAPACITOR	2200pF 50V K	1	
	C68	CK73GGB1H222K	C CAPACITOR	2200pF 50V K	1	
	C101	CC730BE1H221J	C CAPACITOR	220pF 50V J	1	K1
	C101	CC73GCH1H221J	C CAPACITOR	220pF 50V J	1	K0,W1
	C102	CC730BE1H221J	C CAPACITOR	220pF 50V J	1	K1
	C102	CC73GCH1H221J	C CAPACITOR	220pF 50V J	1	K0,W1
	C103	CC73GCH1H471J	C CAPACITOR	470pF 50V J	1	
	C104	CC73GCH1H471J	C CAPACITOR	470pF 50V J	1	
	C105	CE32CL1C100M	E CAPACITOR	10uF 16V M	1	
	C106	CE32CL1C100M	E CAPACITOR	10uF 16V M	1	
	C109	CK73FXR1C106K	E CAPACITOR	10uF 16V K	1	
	C111	CK73FXR1C106K	C CAPACITOR	10uF 16V K	1	
	C115	CK73FXR1C106K	C CAPACITOR	10uF 16V K	1	
	C117	CC73GCH1H102J	C CAPACITOR	1000pF 50V J	1	
	C118	CC73GCH1H102J	C CAPACITOR	1000pF 50V J	1	
	C119	CC73GCH1H102J	C CAPACITOR	1000pF 50V J	1	
	C120	CC73GCH1H102J	C CAPACITOR	1000pF 50V J	1	
	C121	CC73GCH1H102J	C CAPACITOR	1000pF 50V J	1	
	C122	CC73GCH1H102J	C CAPACITOR	1000pF 50V J	1	
	C123	CK730DH1H104K	C CAPACITOR	0.1uF 50V K	1	K1
	C123	CK73GGB1H104K	C CAPACITOR	0.1uF 50V K	1	K0,W1
	C124	CK730DH1H104K	C CAPACITOR	0.1uF 50V K	1	K1
	C124	CK73GGB1H104K	C CAPACITOR	0.1uF 50V K	1	K0,W1
	C125	CK73FXR1C106K	C CAPACITOR	10uF 16V K	1	
	C126	CK73FXR1C106K	C CAPACITOR	10uF 16V K	1	
	C127	CK730DH1H104K	C CAPACITOR	0.1uF 50V K	1	K1
	C127	CK73GGB1H104K	C CAPACITOR	0.1uF 50V K	1	K0,W1
	C128	CK730DH1H104K	C CAPACITOR	0.1uF 50V K	1	K1
	C128	CK73GGB1H104K	C CAPACITOR	0.1uF 50V K	1	K0,W1
	C129	CK73EXR1C226K	C CAPACITOR	22uF 16V K	1	
	C130	CK73EXR1C226K	C CAPACITOR	22uF 16V K	1	
	C131	CC73GCH1H102J	C CAPACITOR	1000pF 50V J	1	
	C132	CC73GCH1H102J	C CAPACITOR	1000pF 50V J	1	
	C133	CC73GCH1H102J	C CAPACITOR	1000pF 50V J	1	
	C134	CC73GCH1H102J	C CAPACITOR	1000pF 50V J	1	
	C135	CC73GCH1H102J	C CAPACITOR	1000pF 50V J	1	
	C136	CC73GCH1H102J	C CAPACITOR	1000pF 50V J	1	
	C137	CC73GCH1H102J	C CAPACITOR	1000pF 50V J	1	
	C138	CC73GCH1H102J	C CAPACITOR	1000pF 50V J	1	
	C139	CK73FBB1H224K	C CAPACITOR	0.22uF 50V K	1	
	C140	CK73FBB1H224K	C CAPACITOR	0.22uF 50V K	1	
	C141	CK73FBB1H224K	C CAPACITOR	0.22uF 50V K	1	
	C142	CK73FBB1H224K	C CAPACITOR	0.22uF 50V K	1	
	C143	CC73GCH1H151J	C CAPACITOR	150pF 50V J	1	
	C144	CC73GCH1H151J	C CAPACITOR	150pF 50V J	1	
	C145	CK730DH1H104K	C CAPACITOR	0.1uF 50V K	1	K1
	C145	CK73GGB1H104K	C CAPACITOR	0.1uF 50V K	1	K0,W1
	C146	CK730DH1H104K	C CAPACITOR	0.1uF 50V K	1	K1
	C146	CK73GGB1H104K	C CAPACITOR	0.1uF 50V K	1	K0,W1
	C147	CE32CC1V220M	E CAPACITOR	22uF 35V M	1	
	C149	CK730DH1H104K	C CAPACITOR	0.1uF 50V K	1	K1
	C149	CK73GGB1H104K	C CAPACITOR	0.1uF 50V K	1	K0,W1
	C150	CK730DH1H104K	C CAPACITOR	0.1uF 50V K	1	K1
	C150	CK73GGB1H104K	C CAPACITOR	0.1uF 50V K	1	K0,W1
	C151	CE32CC1V220M	E CAPACITOR	22uF 35V M	1	
	C153	CB19FAW1H334J	CFILM CAPACITOR	0.33uF 50V J	1	
	C154	CB19FAW1H334J	CFILM CAPACITOR	0.33uF 50V J	1	
	C155	CK73GGB1H683K	C CAPACITOR	0.068uF 50V K	1	
	C156	CK73GGB1H683K	C CAPACITOR	0.068uF 50V K	1	
	C157	CK73GGB1H103K	C CAPACITOR	0.01uF 50V K	1	
	C158	CK73GGB1H103K	C CAPACITOR	0.01uF 50V K	1	
	C163	CK73GGB1H103K	C CAPACITOR	0.01uF 50V K	1	
	C166	CK73GGB1H103K	C CAPACITOR	0.01uF 50V K	1	
	C167	CK73GGB1H222K	C CAPACITOR	2200pF 50V K	1	
	C168	CK73GGB1H222K	C CAPACITOR	2200pF 50V K	1	
	C177	CK73GGB1H103K	C CAPACITOR	0.01uF 50V K	1	
	C180	CK73GGB1C105K	C CAPACITOR	1uF 16V K	1	
	C181	CK730DH1H104K	C CAPACITOR	0.1uF 50V K	1	K1
	C181	CK73GGB1H104K	C CAPACITOR	0.1uF 50V K	1	K0,W1
	C186	CK73GGB1H103K	C CAPACITOR	0.01uF 50V K	1	
	C220	CK73GGB1H103K	C CAPACITOR	0.01uF 50V K	1	
	C301	CK73GGB1H103K	C CAPACITOR	0.01uF 50V K	1	
	C302	CK73GGB1H103K	C CAPACITOR	0.01uF 50V K	1	
	C303	CK73EXR1E106K	C CAPACITOR	10uF 25V K	1	
	C304	CK730DH1H104K	C CAPACITOR	0.1uF 50V K	1	K1
	C304	CK73GGB1H104K	C CAPACITOR	0.1uF 50V K	1	K0,W1
	C305	CK730DH1H104K	C CAPACITOR	0.1uF 50V K	1	K1
	C305	CK73GGB1H104K	C CAPACITOR	0.1uF 50V K	1	K0,W1
	C306	CK73GGB1H103K	C CAPACITOR	0.01uF 50V K	1	
	C307	CK73GGB1H103K	C CAPACITOR	0.01uF 50V K	1	
	C308	CK73GGB1C105K	C CAPACITOR	1uF 16V K	1	
	C309	CC73GCH1H102J	C CAPACITOR	1000pF 50V J	1	
	C310	CK730DH1H104K	C CAPACITOR	0.1uF 50V K	1	K1
	C310	CK73GGB1H104K	C CAPACITOR	0.1uF 50V K	1	K0,W1
	C311	CK730DH1H104K	C CAPACITOR	0.1uF 50V K	1	K1
	C311	CK73GGB1H104K	C CAPACITOR	0.1uF 50V K	1	K0,W1
	C312	CK730DH1H104K	C CAPACITOR	0.1uF 50V K	1	K1
	C312	CK73GGB1H104K	C CAPACITOR	0.1uF 50V K	1	K0,W1

MODEL	MARK	MODEL	MARK	MODEL	MARK
KAC-304	K1	X301-4	K0	X301-4	W1

Safe	Symbol No.	Parts No.	Parts Name	Description	QTY	Local
	C313	CE32CL0J470M	E CAPACITOR	47uF 6.3V M	1	
	C314	CC73GCH1H102J	C CAPACITOR	1000pF 50V J	1	
	C315	CK73GGB1H103K	C CAPACITOR	0.01uF 50V K	1	
	C316	CK73GGB1C105K	C CAPACITOR	1uF 16V K	1	
	C317	CK73GGB1H222K	C CAPACITOR	2200pF 50V K	1	
	C318	CK73GGB1H222K	C CAPACITOR	2200pF 50V K	1	
	C319	CC73GCH1H102J	C CAPACITOR	1000pF 50V J	1	
	C320	CC73GCH1H102J	C CAPACITOR	1000pF 50V J	1	
	C321	CK73GGB1H222K	C CAPACITOR	2200pF 50V K	1	
	C322	CK73GGB1H222K	C CAPACITOR	2200pF 50V K	1	
	C323	CD040CK1V122M	E CAPACITOR	1200uF 50V M	1	
	C324	CD040CK1V122M	E CAPACITOR	1200uF 50V M	1	
	C325	CK73GGB1H103K	C CAPACITOR	0.01uF 50V K	1	
	C326	CK73GGB1H103K	C CAPACITOR	0.01uF 50V K	1	
	C327	CK73FXR1C106K	C CAPACITOR	10uF 16V K	1	
	C328	CK73FXR1C106K	C CAPACITOR	10uF 16V K	1	
	C329	CE32CL1C470M	E CAPACITOR	47uF 16V M	1	
	C330	CE32CL1C470M	E CAPACITOR	47uF 16V M	1	
	C331	CC730BE1H050C	C CAPACITOR	5pF 50V C	1	K1
	C331	CC73GCH1H050C	C CAPACITOR	5pF 50V C	1	K0,W1
	C332	CC730BE1H050C	C CAPACITOR	5pF 50V C	1	K1
	C332	CC73GCH1H050C	C CAPACITOR	5pF 50V C	1	K0,W1
	C333	CK73FXR1C106K	C CAPACITOR	10uF 16V K	1	
	C334	CK73FXR1C106K	C CAPACITOR	10uF 16V K	1	
	C335	CE32CL0J470M	E CAPACITOR	47uF 6.3V M	1	
	C336	CE32CL0J470M	E CAPACITOR	47uF 6.3V M	1	
	C337	CK73FXR1C106K	C CAPACITOR	10uF 16V K	1	
	C338	CE32BY1C221M	E CAPACITOR	220uF 16V M	1	
	C339	CK73GGB1H103K	C CAPACITOR	0.01uF 50V K	1	
	C340	CK73GGB1H103K	C CAPACITOR	0.01uF 50V K	1	
	C341	CK73GGB1H103K	C CAPACITOR	0.01uF 50V K	1	
	C342	CK73GGB1H103K	C CAPACITOR	0.01uF 50V K	1	
	C343	CC73GCH1H102J	C CAPACITOR	1000pF 50V J	1	
	C344	CC73GCH1H102J	C CAPACITOR	1000pF 50V J	1	
	C345	CK73GGB1H103K	C CAPACITOR	0.01uF 50V K	1	
	C346	CC73GCH1H102J	C CAPACITOR	1000pF 50V J	1	
	C347	CK73GGB1H103K	C CAPACITOR	0.01uF 50V K	1	
	C348	CK73FXR1C106K	C CAPACITOR	10uF 16V K	1	
	C349	CK73GGB1H103K	C CAPACITOR	0.01uF 50V K	1	
	C350	CE32CL0J101M	E CAPACITOR	100uF 6.3V M	1	
	C351	CD040CS1C222M	E CAPACITOR	2200uF 16V M	1	
	C352	CD040CS1C222M	E CAPACITOR	2200uF 16V M	1	
	C353	CK73GGB1C105K	C CAPACITOR	1uF 16V K	1	
	C354	CK73GGB1H103K	C CAPACITOR	0.01uF 50V K	1	
	C356	CK73GGB1H103K	C CAPACITOR	0.01uF 50V K	1	
	C357	CK73GGB1H103K	C CAPACITOR	0.01uF 50V K	1	
	C358	CK73GGB1H103K	C CAPACITOR	0.01uF 50V K	1	
	C359	CC730BE1H050C	C CAPACITOR	5pF 50V C	1	K1
	C359	CC73GCH1H050C	C CAPACITOR	5pF 50V C	1	K0,W1
	C360	CC730BE1H050C	C CAPACITOR	5pF 50V C	1	K1
	C360	CC73GCH1H050C	C CAPACITOR	5pF 50V C	1	K0,W1
	C361	CE32CL0J101M	E CAPACITOR	100uF 6.3V M	1	
	C363	CC730BE1H050C	C CAPACITOR	5pF 50V C	1	K1
	C363	CC73GCH1H050C	C CAPACITOR	5pF 50V C	1	K0,W1
	C364	CC730BE1H050C	C CAPACITOR	5pF 50V C	1	K1
	C364	CC73GCH1H050C	C CAPACITOR	5pF 50V C	1	K0,W1
	C365	CK73GGB1C105K	C CAPACITOR	1uF 16V K	1	
	C500	CE32CL1C100M	E CAPACITOR	10uF 16V M	1	
	C501	CE32CL1C100M	E CAPACITOR	10uF 16V M	1	
	C502	CE32CL1C100M	E CAPACITOR	10uF 16V M	1	
	C503	CE32CL1C100M	E CAPACITOR	10uF 16V M	1	
	C504	CC730BE1H330J	C CAPACITOR	33pF 50V J	1	K1
	C504	CC73GCH1H330J	C CAPACITOR	33pF 50V J	1	K0,W1
	C505	CC730BE1H330J	C CAPACITOR	33pF 50V J	1	K1
	C505	CC73GCH1H330J	C CAPACITOR	33pF 50V J	1	K0,W1
	C506	CC730BE1H330J	C CAPACITOR	33pF 50V J	1	K1
	C506	CC73GCH1H330J	C CAPACITOR	33pF 50V J	1	K0,W1
	C507	CC730BE1H330J	C CAPACITOR	33pF 50V J	1	K1
	C507	CC73GCH1H330J	C CAPACITOR	33pF 50V J	1	K0,W1
	C508	CC730BE1H560J	C CAPACITOR	56pF 50V J	1	K1
	C508	CC73GCH1H560J	C CAPACITOR	56pF 50V J	1	K0,W1
	C509	CC730BE1H560J	C CAPACITOR	56pF 50V J	1	K1
	C509	CC73GCH1H560J	C CAPACITOR	56pF 50V J	1	K0,W1
	C510	CC730BE1H330J	C CAPACITOR	33pF 50V J	1	K1
	C510	CC73GCH1H330J	C CAPACITOR	33pF 50V J	1	K0,W1
	C511	CC730BE1H330J	C CAPACITOR	33pF 50V J	1	K1
	C511	CC73GCH1H330J	C CAPACITOR	33pF 50V J	1	K0,W1
	C512	CC730BE1H560J	C CAPACITOR	56pF 50V J	1	K1
	C512	CC73GCH1H560J	C CAPACITOR	56pF 50V J	1	K0,W1
	C513	CC730BE1H560J	C CAPACITOR	56pF 50V J	1	K1
	C513	CC73GCH1H560J	C CAPACITOR	56pF 50V J	1	K0,W1
	C516	CE32CL1C100M	E CAPACITOR	10uF 16V M	1	
	C517	CE32CL1C100M	E CAPACITOR	10uF 16V M	1	
	C518	CC73GCH1H220J	C CAPACITOR	22pF 50V J	1	
	C519	CC73GCH1H220J	C CAPACITOR	22pF 50V J	1	
	C522	CC730BE1H560J	C CAPACITOR	56pF 50V J	1	K1
	C522	CC73GCH1H560J	C CAPACITOR	56pF 50V J	1	K0,W1
	C523	CC730BE1H560J	C CAPACITOR	56pF 50V J	1	K1
	C523	CC73GCH1H560J	C CAPACITOR	56pF 50V J	1	K0,W1
	C524	CK730DC1H473K	C CAPACITOR	0.047uF 50V K	1	K1
	C524	CK73GGB1H473K	C CAPACITOR	0.047uF 50V K	1	K0,W1
	C525	CK730DC1H473K	C CAPACITOR	0.047uF 50V K	1	K1

MODEL	MARK	MODEL	MARK	MODEL	MARK
KAC-304	K1	X301-4	K0	X301-4	W1

Safe	Symbol No.	Parts No.	Parts Name	Description	QTY	Local
	C525	CK73GBB1H473K	C CAPACITOR	0.047uF 50V K	1	K0,W1
	C526	CK73GBB1C334K	C CAPACITOR	0.33uF 16V K	1	
	C527	CK73GBB1C334K	C CAPACITOR	0.33uF 16V K	1	
	C528	CC730BE1H560J	C CAPACITOR	56pF 50V J	1	K1
	C528	CC73GCH1H560J	C CAPACITOR	56pF 50V J	1	K0,W1
	C529	CC730BE1H560J	C CAPACITOR	56pF 50V J	1	K1
	C529	CC73GCH1H560J	C CAPACITOR	56pF 50V J	1	K0,W1
	C533	CK73GBB1H103K	C CAPACITOR	0.01uF 50V K	1	
	C534	CK73GBB1H103K	C CAPACITOR	0.01uF 50V K	1	
	C535	CK73GBB1H103K	C CAPACITOR	0.01uF 50V K	1	
	C536	CK73GBB1H103K	C CAPACITOR	0.01uF 50V K	1	
	C539	CK73GBB1H103K	C CAPACITOR	0.01uF 50V K	1	
	C540	CK73GBB1H103K	C CAPACITOR	0.01uF 50V K	1	
	C549	CK73GBB1H103K	C CAPACITOR	0.01uF 50V K	1	
	C550	CK73GBB1H103K	C CAPACITOR	0.01uF 50V K	1	
	C551	CK73GBB1H103K	C CAPACITOR	0.01uF 50V K	1	
	C552	CK73GBB1H103K	C CAPACITOR	0.01uF 50V K	1	
	C553	CC730BE1H101J	C CAPACITOR	100pF 50V J	1	K1
	C553	CC73GCH1H101J	C CAPACITOR	100pF 50V J	1	K0,W1
	C554	CC730BE1H101J	C CAPACITOR	100pF 50V J	1	K1
	C554	CC73GCH1H101J	C CAPACITOR	100pF 50V J	1	K0,W1
	C600	CE32CL1C100M	E CAPACITOR	10uF 16V M	1	
	C601	CE32CL1C100M	E CAPACITOR	10uF 16V M	1	
	C602	CE32CL1C100M	E CAPACITOR	10uF 16V M	1	
	C603	CE32CL1C100M	E CAPACITOR	10uF 16V M	1	
	C604	CC730BE1H330J	C CAPACITOR	33pF 50V J	1	K1
	C604	CC73GCH1H330J	C CAPACITOR	33pF 50V J	1	K0,W1
	C605	CC730BE1H330J	C CAPACITOR	33pF 50V J	1	K1
	C605	CC73GCH1H330J	C CAPACITOR	33pF 50V J	1	K0,W1
	C606	CC730BE1H330J	C CAPACITOR	33pF 50V J	1	K1
	C606	CC73GCH1H330J	C CAPACITOR	33pF 50V J	1	K0,W1
	C607	CC730BE1H330J	C CAPACITOR	33pF 50V J	1	K1
	C607	CC73GCH1H330J	C CAPACITOR	33pF 50V J	1	K0,W1
	C608	CC730BE1H560J	C CAPACITOR	56pF 50V J	1	K1
	C608	CC73GCH1H560J	C CAPACITOR	56pF 50V J	1	K0,W1
	C609	CC730BE1H560J	C CAPACITOR	56pF 50V J	1	K1
	C609	CC73GCH1H560J	C CAPACITOR	56pF 50V J	1	K0,W1
	C610	CC730BE1H330J	C CAPACITOR	33pF 50V J	1	K1
	C610	CC73GCH1H330J	C CAPACITOR	33pF 50V J	1	K0,W1
	C611	CC730BE1H330J	C CAPACITOR	33pF 50V J	1	K1
	C611	CC73GCH1H330J	C CAPACITOR	33pF 50V J	1	K0,W1
	C612	CC730BE1H560J	C CAPACITOR	56pF 50V J	1	K1
	C612	CC73GCH1H560J	C CAPACITOR	56pF 50V J	1	K0,W1
	C613	CC730BE1H560J	C CAPACITOR	56pF 50V J	1	K1
	C613	CC73GCH1H560J	C CAPACITOR	56pF 50V J	1	K0,W1
	C614	CE32CL1C100M	E CAPACITOR	10uF 16V M	1	
	C615	CE32CL1C100M	E CAPACITOR	10uF 16V M	1	
	C618	CC73GCH1H220J	C CAPACITOR	22pF 50V J	1	
	C619	CC73GCH1H220J	C CAPACITOR	22pF 50V J	1	
	C620	CC730BE1H560J	C CAPACITOR	56pF 50V J	1	K1
	C620	CC73GCH1H560J	C CAPACITOR	56pF 50V J	1	K0,W1
	C621	CC730BE1H560J	C CAPACITOR	56pF 50V J	1	K1
	C621	CC73GCH1H560J	C CAPACITOR	56pF 50V J	1	K0,W1
	C622	CK730DC1H473K	C CAPACITOR	0.047uF 50V K	1	K1
	C622	CK73GBB1H473K	C CAPACITOR	0.047uF 50V K	1	K0,W1
	C623	CK730DC1H473K	C CAPACITOR	0.047uF 50V K	1	K1
	C623	CK73GBB1H473K	C CAPACITOR	0.047uF 50V K	1	K0,W1
	C624	CK73GBB1C334K	C CAPACITOR	0.33uF 16V K	1	
	C625	CK73GBB1C334K	C CAPACITOR	0.33uF 16V K	1	
	C626	CC730BE1H560J	C CAPACITOR	56pF 50V J	1	K1
	C626	CC73GCH1H560J	C CAPACITOR	56pF 50V J	1	K0,W1
	C627	CC730BE1H560J	C CAPACITOR	56pF 50V J	1	K1
	C627	CC73GCH1H560J	C CAPACITOR	56pF 50V J	1	K0,W1
	C628	CE32CL1V4R7M	E CAPACITOR	4.7uF 35V M	1	
	C629	CE32CL1V4R7M	E CAPACITOR	4.7uF 35V M	1	
	C630	CK730DH1H104K	C CAPACITOR	0.1uF 50V K	1	K1
	C630	CK73GBB1H104K	C CAPACITOR	0.1uF 50V K	1	K0,W1
	C631	CK730DH1H104K	C CAPACITOR	0.1uF 50V K	1	K1
	C631	CK73GBB1H104K	C CAPACITOR	0.1uF 50V K	1	K0,W1
	C632	CC730BE1H101J	C CAPACITOR	100pF 50V J	1	K1
	C632	CC73GCH1H101J	C CAPACITOR	100pF 50V J	1	K0,W1
	C633	CC730BE1H101J	C CAPACITOR	100pF 50V J	1	K1
	C633	CC73GCH1H101J	C CAPACITOR	100pF 50V J	1	K0,W1
	C635	CK73GBB1H103K	C CAPACITOR	0.01uF 50V K	1	
	C636	CK73GBB1H103K	C CAPACITOR	0.01uF 50V K	1	
	C637	CK73GBB1H103K	C CAPACITOR	0.01uF 50V K	1	
	C638	CK73GBB1H103K	C CAPACITOR	0.01uF 50V K	1	
	C639	CK73GBB1H103K	C CAPACITOR	0.01uF 50V K	1	
	C640	CK73GBB1H103K	C CAPACITOR	0.01uF 50V K	1	
	C641	CK73GBB1H103K	C CAPACITOR	0.01uF 50V K	1	
	C642	CK73GBB1H103K	C CAPACITOR	0.01uF 50V K	1	
	C643	CK73GBB1H103K	C CAPACITOR	0.01uF 50V K	1	
	C644	CK73GBB1H103K	C CAPACITOR	0.01uF 50V K	1	
	C645	CC730BE1H101J	C CAPACITOR	100pF 50V J	1	K1
	C645	CC73GCH1H101J	C CAPACITOR	100pF 50V J	1	K0,W1
	C646	CC730BE1H101J	C CAPACITOR	100pF 50V J	1	K1
	C646	CC73GCH1H101J	C CAPACITOR	100pF 50V J	1	K0,W1
	C701	CK73FXR1C106K	C CAPACITOR	10uF 16V K	1	
	C702	CK73GXR1C225K	C CAPACITOR	2.2uF 16V K	1	
	C705	CK73GBB1H103K	C CAPACITOR	0.01uF 50V K	1	
	R1	RK73GB2A682J	MG RESISTOR	6.8kΩ 1/10W J	1	
	R2	RK73GB2A682J	MG RESISTOR	6.8kΩ 1/10W J	1	

MODEL	MARK	MODEL	MARK	MODEL	MARK
KAC-304	K1	X301-4	K0	X301-4	W1

Safe	Symbol No.	Parts No.	Parts Name	Description	QTY	Local
	R7	RK73GB2A912J	MG RESISTOR	9.1kΩ 1/10W J	1	
	R8	RK73GB2A912J	MG RESISTOR	9.1kΩ 1/10W J	1	
	R11	RK73GB2A332J	MG RESISTOR	3.3kΩ 1/10W J	1	
	R12	RK73GB2A332J	MG RESISTOR	3.3kΩ 1/10W J	1	
	R13	RK73GB2A1R0J	MG RESISTOR	1Ω 1/10W J	1	
	R15	RK73GB2A1R0J	MG RESISTOR	1Ω 1/10W J	1	
	R17	RK73GB2A223J	MG RESISTOR	22kΩ 1/10W J	1	
	R19	RK73GB2A223J	MG RESISTOR	22kΩ 1/10W J	1	
	R21	RK73GB2A101J	MG RESISTOR	100Ω 1/10W J	1	
	R23	RK73GB2A473J	MG RESISTOR	47kΩ 1/10W J	1	
	R24	RK73GB2A473J	MG RESISTOR	47kΩ 1/10W J	1	
	R25	RK73GB2A272J	MG RESISTOR	2.7kΩ 1/10W J	1	
	R26	RK73GB2A122J	MG RESISTOR	1.2kΩ 1/10W J	1	
	R27	RK73FB2B100J	MG RESISTOR	10Ω 1/8W J	1	
	R28	RK73FB2B100J	MG RESISTOR	10Ω 1/8W J	1	
	R29	RK73FB2B4R7J	MG RESISTOR	4.7Ω 1/8W J	1	
	R30	RK73FB2B4R7J	MG RESISTOR	4.7Ω 1/8W J	1	
	R31	RK73GB2A822J	MG RESISTOR	8.2kΩ 1/10W J	1	
	R32	RK73GB2A822J	MG RESISTOR	8.2kΩ 1/10W J	1	
	R33	RK73FB2B100J	MG RESISTOR	10Ω 1/8W J	1	
	R34	RK73FB2B100J	MG RESISTOR	10Ω 1/8W J	1	
	R35	RK73FB2B100J	MG RESISTOR	10Ω 1/8W J	1	
	R36	RK73FB2B100J	MG RESISTOR	10Ω 1/8W J	1	
	R37	RK73GB2A102J	MG RESISTOR	1kΩ 1/10W J	1	
	R38	RK73GB2A102J	MG RESISTOR	1kΩ 1/10W J	1	
	R39	RK73PB2H220J	MG RESISTOR	22Ω 1/2W J	1	
	R40	RK73PB2H220J	MG RESISTOR	22Ω 1/2W J	1	
	R41	RK73EB2E222J	MG RESISTOR	2.2kΩ 1/4W J	1	
	R42	RK73EB2E222J	MG RESISTOR	2.2kΩ 1/4W J	1	
	R43	RK73GB2A513J	MG RESISTOR	51kΩ 1/10W J	1	
	R44	RK73GB2A513J	MG RESISTOR	51kΩ 1/10W J	1	
	R47	RK73GB2A103J	MG RESISTOR	10kΩ 1/10W J	1	
	R48	RK73GB2A103J	MG RESISTOR	10kΩ 1/10W J	1	
	R49	RK73GB2A103J	MG RESISTOR	10kΩ 1/10W J	1	
	R50	RK73GB2A103J	MG RESISTOR	10kΩ 1/10W J	1	
	R51	RK73GB2A102J	MG RESISTOR	1kΩ 1/10W J	1	
	R53	RK73GB2A103J	MG RESISTOR	10kΩ 1/10W J	1	
	R55	RK73GB2A472J	MG RESISTOR	4.7kΩ 1/10W J	1	
	R56	RK73GB2A471J	MG RESISTOR	470Ω 1/10W J	1	
	R57	RK73PB2H220J	MG RESISTOR	22Ω 1/2W J	1	
	R58	RK73PB2H220J	MG RESISTOR	22Ω 1/2W J	1	
	R61	RK73GB2A103J	MG RESISTOR	10kΩ 1/10W J	1	
	R62	RK73GB2A103J	MG RESISTOR	10kΩ 1/10W J	1	
	R65	RK73FB2B180J	MG RESISTOR	18Ω 1/8W J	1	
	R66	RK73FB2B180J	MG RESISTOR	18Ω 1/8W J	1	
	R67	RK73FB2B180J	MG RESISTOR	18Ω 1/8W J	1	
	R68	RK73FB2B180J	MG RESISTOR	18Ω 1/8W J	1	
	R69	RK73GB2A203J	MG RESISTOR	20kΩ 1/10W J	1	
	R70	RK73GB2A203J	MG RESISTOR	20kΩ 1/10W J	1	
	R71	R92-5211-05	MG RESISTOR	0.022Ω 1W	1	
	R72	R92-5211-05	MG RESISTOR	0.022Ω 1W	1	
	R73	RK73GB2A104J	MG RESISTOR	100kΩ 1/10W J	1	
	R74	RK73GB2A104J	MG RESISTOR	100kΩ 1/10W J	1	
	R75	RK73GB2A104J	MG RESISTOR	100kΩ 1/10W J	1	
	R76	RK73GB2A104J	MG RESISTOR	100kΩ 1/10W J	1	
	R77	RK73GB2A472J	MG RESISTOR	4.7kΩ 1/10W J	1	
	R78	RK73GB2A472J	MG RESISTOR	4.7kΩ 1/10W J	1	
	R79	RK73GB2A102J	MG RESISTOR	1kΩ 1/10W J	1	
	R80	RK73GB2A102J	MG RESISTOR	1kΩ 1/10W J	1	
	R81	RK73GB2A333J	MG RESISTOR	33kΩ 1/10W J	1	
	R82	RK73GB2A333J	MG RESISTOR	33kΩ 1/10W J	1	
	R83	RK73GB2A473J	MG RESISTOR	47kΩ 1/10W J	1	
	R85	RK73GB2A113J	MG RESISTOR	11kΩ 1/10W J	1	
	R93	RK73GB2A203J	MG RESISTOR	20kΩ 1/10W J	1	
	R94	RK73GB2A203J	MG RESISTOR	20kΩ 1/10W J	1	
	R95	RK73GB2A133J	MG RESISTOR	13kΩ 1/10W J	1	
	R96	RK73GB2A133J	MG RESISTOR	13kΩ 1/10W J	1	
	R101	RK73GB2A682J	MG RESISTOR	6.8kΩ 1/10W J	1	
	R102	RK73GB2A682J	MG RESISTOR	6.8kΩ 1/10W J	1	
	R107	RK73GB2A912J	MG RESISTOR	9.1kΩ 1/10W J	1	
	R108	RK73GB2A912J	MG RESISTOR	9.1kΩ 1/10W J	1	
	R111	RK73GB2A332J	MG RESISTOR	3.3kΩ 1/10W J	1	
	R112	RK73GB2A332J	MG RESISTOR	3.3kΩ 1/10W J	1	
	R113	RK73GB2A1R0J	MG RESISTOR	1Ω 1/10W J	1	
	R115	RK73GB2A1R0J	MG RESISTOR	1Ω 1/10W J	1	
	R121	RK73GB2A101J	MG RESISTOR	100Ω 1/10W J	1	
	R123	RK73GB2A473J	MG RESISTOR	47kΩ 1/10W J	1	
	R124	RK73GB2A473J	MG RESISTOR	47kΩ 1/10W J	1	
	R125	RK73GB2A821J	MG RESISTOR	820Ω 1/10W J	1	
	R126	RK73GB2A621J	MG RESISTOR	620Ω 1/10W J	1	
	R127	RK73FB2B100J	MG RESISTOR	10Ω 1/8W J	1	
	R128	RK73FB2B100J	MG RESISTOR	10Ω 1/8W J	1	
	R129	RK73FB2B4R7J	MG RESISTOR	4.7Ω 1/8W J	1	
	R130	RK73FB2B4R7J	MG RESISTOR	4.7Ω 1/8W J	1	
	R131	RK73GB2A822J	MG RESISTOR	8.2kΩ 1/10W J	1	
	R132	RK73GB2A822J	MG RESISTOR	8.2kΩ 1/10W J	1	
	R133	RK73FB2B100J	MG RESISTOR	10Ω 1/8W J	1	
	R134	RK73FB2B100J	MG RESISTOR	10Ω 1/8W J	1	
	R135	RK73FB2B100J	MG RESISTOR	10Ω 1/8W J	1	
	R136	RK73FB2B100J	MG RESISTOR	10Ω 1/8W J	1	
	R137	RK73GB2A102J	MG RESISTOR	1kΩ 1/10W J	1	
	R138	RK73GB2A102J	MG RESISTOR	1kΩ 1/10W J	1	
	R139	RK73PB2H220J	MG RESISTOR	22Ω 1/2W J	1	

MODEL	MARK	MODEL	MARK	MODEL	MARK
KAC-304	K1	X301-4	K0	X301-4	W1

Safe	Symbol No.	Parts No.	Parts Name	Description	QTY	Local
	R140	RK73PB2H220J	MG RESISTOR	22Ω 1/2W J	1	
	R141	RK73EB2E222J	MG RESISTOR	2.2kΩ 1/4W J	1	
	R142	RK73EB2E222J	MG RESISTOR	2.2kΩ 1/4W J	1	
	R143	RK73GB2A513J	MG RESISTOR	51kΩ 1/10W J	1	
	R144	RK73GB2A513J	MG RESISTOR	51kΩ 1/10W J	1	
	R147	RK73GB2A103J	MG RESISTOR	10kΩ 1/10W J	1	
	R148	RK73GB2A103J	MG RESISTOR	10kΩ 1/10W J	1	
	R149	RK73GB2A103J	MG RESISTOR	10kΩ 1/10W J	1	
	R150	RK73GB2A103J	MG RESISTOR	10kΩ 1/10W J	1	
	R151	RK73GB2A102J	MG RESISTOR	1kΩ 1/10W J	1	
	R153	RK73GB2A103J	MG RESISTOR	10kΩ 1/10W J	1	
	R155	RK73GB2A472J	MG RESISTOR	4.7kΩ 1/10W J	1	
	R156	RK73GB2A471J	MG RESISTOR	470Ω 1/10W J	1	
	R157	RK73PB2H220J	MG RESISTOR	22Ω 1/2W J	1	
	R158	RK73PB2H220J	MG RESISTOR	22Ω 1/2W J	1	
	R161	RK73GB2A103J	MG RESISTOR	10kΩ 1/10W J	1	
	R162	RK73GB2A103J	MG RESISTOR	10kΩ 1/10W J	1	
	R165	RK73FB2B180J	MG RESISTOR	18Ω 1/8W J	1	
	R166	RK73FB2B180J	MG RESISTOR	18Ω 1/8W J	1	
	R167	RK73FB2B180J	MG RESISTOR	18Ω 1/8W J	1	
	R168	RK73FB2B180J	MG RESISTOR	18Ω 1/8W J	1	
	R169	RK73GB2A203J	MG RESISTOR	20kΩ 1/10W J	1	
	R170	RK73GB2A203J	MG RESISTOR	20kΩ 1/10W J	1	
	R171	R92-5211-05	MG RESISTOR	0.022Ω 1W	1	
	R172	R92-5211-05	MG RESISTOR	0.022Ω 1W	1	
	R173	RK73GB2A104J	MG RESISTOR	100kΩ 1/10W J	1	
	R174	RK73GB2A104J	MG RESISTOR	100kΩ 1/10W J	1	
	R175	RK73GB2A104J	MG RESISTOR	100kΩ 1/10W J	1	
	R176	RK73GB2A104J	MG RESISTOR	100kΩ 1/10W J	1	
	R177	RK73GB2A472J	MG RESISTOR	4.7kΩ 1/10W J	1	
	R178	RK73GB2A472J	MG RESISTOR	4.7kΩ 1/10W J	1	
	R179	RK73GB2A102J	MG RESISTOR	1kΩ 1/10W J	1	
	R180	RK73GB2A102J	MG RESISTOR	1kΩ 1/10W J	1	
	R181	RK73GB2A333J	MG RESISTOR	33kΩ 1/10W J	1	
	R182	RK73GB2A333J	MG RESISTOR	33kΩ 1/10W J	1	
	R193	RK73GB2A203J	MG RESISTOR	20kΩ 1/10W J	1	
	R194	RK73GB2A203J	MG RESISTOR	20kΩ 1/10W J	1	
	R195	RK73GB2A133J	MG RESISTOR	13kΩ 1/10W J	1	
	R196	RK73GB2A133J	MG RESISTOR	13kΩ 1/10W J	1	
	R301	RK73EB2E392J	MG RESISTOR	3.9kΩ 1/4W J	1	
	R302	RK73GB2A392J	MG RESISTOR	3.9kΩ 1/10W J	1	
	R303	RK73GB2A152J	MG RESISTOR	1.5kΩ 1/10W J	1	
	R304	RK73GB2A183J	MG RESISTOR	18kΩ 1/10W J	1	
	R305	RK73GB2A682J	MG RESISTOR	6.8kΩ 1/10W J	1	
	R306	RK73GB2A682J	MG RESISTOR	6.8kΩ 1/10W J	1	
	R307	RK73GB2A392J	MG RESISTOR	3.9kΩ 1/10W J	1	
	R308	RK73GB2A472J	MG RESISTOR	4.7kΩ 1/10W J	1	
	R309	RK73GB2A472J	MG RESISTOR	4.7kΩ 1/10W J	1	
	R310	RK73GB2A183J	MG RESISTOR	18kΩ 1/10W J	1	
	R311	RK73GB2A154J	MG RESISTOR	150kΩ 1/10W J	1	
	R312	RK73GB2A682J	MG RESISTOR	6.8kΩ 1/10W J	1	
	R313	RK73GB2A331J	MG RESISTOR	330Ω 1/10W J	1	
	R315	RK73GB2A102J	MG RESISTOR	1kΩ 1/10W J	1	
	R316	RK73GB2A103J	MG RESISTOR	10kΩ 1/10W J	1	
	R317	RK73GB2A393J	MG RESISTOR	39kΩ 1/10W J	1	
	R318	RK73GB2A822J	MG RESISTOR	8.2kΩ 1/10W J	1	
	R319	RK73EB2E152J	MG RESISTOR	1.5kΩ 1/4W J	1	
	R320	RK73GB2A102J	MG RESISTOR	1kΩ 1/10W J	1	
	R321	RK73GB2A102J	MG RESISTOR	1kΩ 1/10W J	1	
	R322	RK73GB2A472J	MG RESISTOR	4.7kΩ 1/10W J	1	
	R323	RK73GB2A472J	MG RESISTOR	4.7kΩ 1/10W J	1	
	R324	RK73GB2A680J	MG RESISTOR	68Ω 1/10W J	1	
	R325	RK73GB2A680J	MG RESISTOR	68Ω 1/10W J	1	
	R326	RK73GB2A680J	MG RESISTOR	68Ω 1/10W J	1	
	R327	RK73GB2A680J	MG RESISTOR	68Ω 1/10W J	1	
	R328	RK73PB2H100J	MG RESISTOR	10Ω 1/2W J	1	
	R329	RK73PB2H100J	MG RESISTOR	10Ω 1/2W J	1	
	R330	RK73PB2H100J	MG RESISTOR	10Ω 1/2W J	1	
	R331	RK73PB2H100J	MG RESISTOR	10Ω 1/2W J	1	
	R332	RK73PB2H100J	MG RESISTOR	10Ω 1/2W J	1	
	R333	RK73EB2E153J	MG RESISTOR	15kΩ 1/4W J	1	
	R334	RK73EB2E153J	MG RESISTOR	15kΩ 1/4W J	1	
	R335	RK73EB2E4R7J	MG RESISTOR	4.7Ω 1/4W J	1	
	R336	RK73EB2E4R7J	MG RESISTOR	4.7Ω 1/4W J	1	
	R337	RK73EB2E272J	MG RESISTOR	2.7kΩ 1/4W J	1	
	R338	RK73EB2E272J	MG RESISTOR	2.7kΩ 1/4W J	1	
	R339	RK73GB2A223J	MG RESISTOR	22kΩ 1/10W J	1	
	R340	RK73GB2A513J	MG RESISTOR	51kΩ 1/10W J	1	
	R346	RK73GB2A473J	MG RESISTOR	47kΩ 1/10W J	1	
	R347	RK73GB2A473J	MG RESISTOR	47kΩ 1/10W J	1	
	R350	RK73PB2H151J	MG RESISTOR	150Ω 1/2W J	1	
	R351	RK73PB2H151J	MG RESISTOR	150Ω 1/2W J	1	
	R352	RK73GB2A392J	MG RESISTOR	3.9kΩ 1/10W J	1	
	R353	RK73GB2A392J	MG RESISTOR	3.9kΩ 1/10W J	1	
	R354	RK73GB2A101J	MG RESISTOR	100Ω 1/10W J	1	
	R355	RK73GB2A101J	MG RESISTOR	100Ω 1/10W J	1	
	R356	RK73EB2E4R7J	MG RESISTOR	4.7Ω 1/4W J	1	
	R357	RK73EB2E472J	MG RESISTOR	4.7kΩ 1/4W J	1	
	R358	RK73GB2A472J	MG RESISTOR	4.7kΩ 1/10W J	1	
	R359	RK73GB2A101J	MG RESISTOR	100Ω 1/10W J	1	
	R360	RK73GB2A101J	MG RESISTOR	100Ω 1/10W J	1	
	R361	RK73GB2A563J	MG RESISTOR	56kΩ 1/10W J	1	

MODEL	MARK	MODEL	MARK	MODEL	MARK
KAC-304	K1	X301-4	K0	X301-4	W1

Safe	Symbol No.	Parts No.	Parts Name	Description	QTY	Local
	R362	RK73GB2A183J	MG RESISTOR	18kΩ 1/10W J	1	
	R363	RK73GB2A473J	MG RESISTOR	47kΩ 1/10W J	1	
	R365	RK73GB2A473J	MG RESISTOR	47kΩ 1/10W J	1	
	R366	RK73GB2A393J	MG RESISTOR	39kΩ 1/10W J	1	
	R367	RK73GB2A362J	MG RESISTOR	3.6kΩ 1/10W J	1	
	R368	RK73GB2A392J	MG RESISTOR	3.9kΩ 1/10W J	1	
	R369	RK73GB2A104J	MG RESISTOR	100kΩ 1/10W J	1	
	R372	RK73GB2A103J	MG RESISTOR	10kΩ 1/10W J	1	
	R373	RK73GB2A103J	MG RESISTOR	10kΩ 1/10W J	1	
	R374	RK73GB2A333J	MG RESISTOR	33kΩ 1/10W J	1	
	R375	RK73GB2A123J	MG RESISTOR	12kΩ 1/10W J	1	
	R376	RK73GB2A102J	MG RESISTOR	1kΩ 1/10W J	1	
	R377	RK73GB2A164J	MG RESISTOR	160kΩ 1/10W J	1	
	R378	RK73GB2A101J	MG RESISTOR	100Ω 1/10W J	1	
	R379	RK73GB2A273J	MG RESISTOR	27kΩ 1/10W J	1	
	R380	RK73GB2A472J	MG RESISTOR	4.7kΩ 1/10W J	1	
	R381	RK73GB2A103J	MG RESISTOR	10kΩ 1/10W J	1	
	R382	RK73GB2A103J	MG RESISTOR	10kΩ 1/10W J	1	
	R383	RK73GB2A102J	MG RESISTOR	1kΩ 1/10W J	1	
	R384	RK73GB2A562J	MG RESISTOR	5.6kΩ 1/10W J	1	
	R386	RK73GB2A104J	MG RESISTOR	100kΩ 1/10W J	1	
	R387	RK73GB2A103J	MG RESISTOR	10kΩ 1/10W J	1	
	R388	RK73GB2A103J	MG RESISTOR	10kΩ 1/10W J	1	
	R389	RK73GB2A103J	MG RESISTOR	10kΩ 1/10W J	1	
	R390	RK73GB2A101J	MG RESISTOR	100Ω 1/10W J	1	
	R391	RK73GB2A102J	MG RESISTOR	1kΩ 1/10W J	1	
	R500	RK73GB2A752J	MG RESISTOR	7.5kΩ 1/10W J	1	
	R501	RK73GB2A153J	MG RESISTOR	15kΩ 1/10W J	1	
	R502	RK73GB2A752J	MG RESISTOR	7.5kΩ 1/10W J	1	
	R503	RK73GB2A224J	MG RESISTOR	220kΩ 1/10W J	1	
	R504	RK73GB2A224J	MG RESISTOR	220kΩ 1/10W J	1	
	R505	RK73GB2A224J	MG RESISTOR	220kΩ 1/10W J	1	
	R506	RK73GB2A224J	MG RESISTOR	220kΩ 1/10W J	1	
	R507	RK73GB2A472J	MG RESISTOR	4.7kΩ 1/10W J	1	
	R508	RK73GB2A472J	MG RESISTOR	4.7kΩ 1/10W J	1	
	R509	RK73GB2A472J	MG RESISTOR	4.7kΩ 1/10W J	1	
	R510	RK73GB2A472J	MG RESISTOR	4.7kΩ 1/10W J	1	
	R511	RK73GH2A103D	MG RESISTOR	10kΩ 1/10W D	1	
	R512	RK73GH2A103D	MG RESISTOR	10kΩ 1/10W D	1	
	R513	RK73GH2A103D	MG RESISTOR	10kΩ 1/10W D	1	
	R514	RK73GH2A103D	MG RESISTOR	10kΩ 1/10W D	1	
	R515	RK73GH2A682D	MG RESISTOR	6.8kΩ 1/10W D	1	
	R516	RK73GH2A682D	MG RESISTOR	6.8kΩ 1/10W D	1	
	R517	RK73GH2A682D	MG RESISTOR	6.8kΩ 1/10W D	1	
	R518	RK73GH2A682D	MG RESISTOR	6.8kΩ 1/10W D	1	
	R519	RK73GB2A431J	MG RESISTOR	430Ω 1/10W J	1	
	R520	RK73GB2A431J	MG RESISTOR	430Ω 1/10W J	1	
	R521	RK73GB2A103J	MG RESISTOR	10kΩ 1/10W J	1	
	R522	RK73GB2A103J	MG RESISTOR	10kΩ 1/10W J	1	
	R523	RK73GB2A511J	MG RESISTOR	510Ω 1/10W J	1	
	R524	RK73GB2A511J	MG RESISTOR	510Ω 1/10W J	1	
	R525	RK73GB2A103J	MG RESISTOR	10kΩ 1/10W J	1	
	R526	RK73GB2A103J	MG RESISTOR	10kΩ 1/10W J	1	
	R527	RK73GB2A273J	MG RESISTOR	27kΩ 1/10W J	1	
	R528	RK73GB2A273J	MG RESISTOR	27kΩ 1/10W J	1	
	R529	RK73GB2A112J	MG RESISTOR	1.1kΩ 1/10W J	1	
	R530	RK73GB2A112J	MG RESISTOR	1.1kΩ 1/10W J	1	
	R531	RK73GB2A103J	MG RESISTOR	10kΩ 1/10W J	1	
	R532	RK73GB2A103J	MG RESISTOR	10kΩ 1/10W J	1	
	R533	RK73GB2A103J	MG RESISTOR	10kΩ 1/10W J	1	
	R534	RK73GB2A103J	MG RESISTOR	10kΩ 1/10W J	1	
	R535	RK73GB2A103J	MG RESISTOR	10kΩ 1/10W J	1	
	R536	RK73GB2A103J	MG RESISTOR	10kΩ 1/10W J	1	
	R537	RK73GB2A103J	MG RESISTOR	10kΩ 1/10W J	1	
	R538	RK73GB2A103J	MG RESISTOR	10kΩ 1/10W J	1	
	R539	RK73GB2A302J	MG RESISTOR	3kΩ 1/10W J	1	
	R540	RK73GB2A302J	MG RESISTOR	3kΩ 1/10W J	1	
	R541	RK73GB2A222J	MG RESISTOR	2.2kΩ 1/10W J	1	
	R542	RK73GB2A222J	MG RESISTOR	2.2kΩ 1/10W J	1	
	R543	RK73GB2A163J	MG RESISTOR	16kΩ 1/10W J	1	
	R544	RK73GB2A163J	MG RESISTOR	16kΩ 1/10W J	1	
	R545	RK73GB2A224J	MG RESISTOR	220kΩ 1/10W J	1	
	R546	RK73GB2A224J	MG RESISTOR	220kΩ 1/10W J	1	
	R547	RK73GB2A101J	MG RESISTOR	100Ω 1/10W J	1	
	R548	RK73GB2A101J	MG RESISTOR	100Ω 1/10W J	1	
	R549	RK73GB2A101J	MG RESISTOR	100Ω 1/10W J	1	
	R550	RK73GB2A101J	MG RESISTOR	100Ω 1/10W J	1	
	R600	RK73GB2A752J	MG RESISTOR	7.5kΩ 1/10W J	1	
	R601	RK73GB2A153J	MG RESISTOR	15kΩ 1/10W J	1	
	R602	RK73GB2A752J	MG RESISTOR	7.5kΩ 1/10W J	1	
	R603	RK73GB2A224J	MG RESISTOR	220kΩ 1/10W J	1	
	R604	RK73GB2A224J	MG RESISTOR	220kΩ 1/10W J	1	
	R605	RK73GB2A224J	MG RESISTOR	220kΩ 1/10W J	1	
	R606	RK73GB2A224J	MG RESISTOR	220kΩ 1/10W J	1	
	R607	RK73GB2A472J	MG RESISTOR	4.7kΩ 1/10W J	1	
	R608	RK73GB2A472J	MG RESISTOR	4.7kΩ 1/10W J	1	
	R609	RK73GB2A472J	MG RESISTOR	4.7kΩ 1/10W J	1	
	R610	RK73GB2A472J	MG RESISTOR	4.7kΩ 1/10W J	1	
	R611	RK73GH2A103D	MG RESISTOR	10kΩ 1/10W D	1	
	R612	RK73GH2A103D	MG RESISTOR	10kΩ 1/10W D	1	
	R613	RK73GH2A103D	MG RESISTOR	10kΩ 1/10W D	1	
	R614	RK73GH2A103D	MG RESISTOR	10kΩ 1/10W D	1	
	R615	RK73GH2A682D	MG RESISTOR	6.8kΩ 1/10W D	1	

MODEL	MARK	MODEL	MARK	MODEL	MARK
KAC-304	K1	X301-4	K0	X301-4	W1

Safe	Symbol No.	Parts No.	Parts Name	Description	QTY	Local
	R616	RK73GH2A682D	MG RESISTOR	6.8kΩ 1/10W D	1	
	R617	RK73GH2A682D	MG RESISTOR	6.8kΩ 1/10W D	1	
	R618	RK73GH2A682D	MG RESISTOR	6.8kΩ 1/10W D	1	
	R619	RK73GB2A431J	MG RESISTOR	430Ω 1/10W J	1	
	R620	RK73GB2A431J	MG RESISTOR	430Ω 1/10W J	1	
	R621	RK73GB2A103J	MG RESISTOR	10kΩ 1/10W J	1	
	R622	RK73GB2A103J	MG RESISTOR	10kΩ 1/10W J	1	
	R623	RK73GB2A511J	MG RESISTOR	510Ω 1/10W J	1	
	R624	RK73GB2A511J	MG RESISTOR	510Ω 1/10W J	1	
	R625	RK73GB2A103J	MG RESISTOR	10kΩ 1/10W J	1	
	R626	RK73GB2A103J	MG RESISTOR	10kΩ 1/10W J	1	
	R627	RK73GB2A273J	MG RESISTOR	27kΩ 1/10W J	1	
	R628	RK73GB2A273J	MG RESISTOR	27kΩ 1/10W J	1	
	R629	RK73GB2A112J	MG RESISTOR	1.1kΩ 1/10W J	1	
	R630	RK73GB2A112J	MG RESISTOR	1.1kΩ 1/10W J	1	
	R631	RK73GB2A103J	MG RESISTOR	10kΩ 1/10W J	1	
	R632	RK73GB2A103J	MG RESISTOR	10kΩ 1/10W J	1	
	R633	RK73GB2A103J	MG RESISTOR	10kΩ 1/10W J	1	
	R634	RK73GB2A103J	MG RESISTOR	10kΩ 1/10W J	1	
	R635	RK73GB2A103J	MG RESISTOR	10kΩ 1/10W J	1	
	R636	RK73GB2A103J	MG RESISTOR	10kΩ 1/10W J	1	
	R637	RK73GB2A103J	MG RESISTOR	10kΩ 1/10W J	1	
	R638	RK73GB2A103J	MG RESISTOR	10kΩ 1/10W J	1	
	R639	RK73GB2A302J	MG RESISTOR	3kΩ 1/10W J	1	
	R640	RK73GB2A302J	MG RESISTOR	3kΩ 1/10W J	1	
	R641	RK73GB2A222J	MG RESISTOR	2.2kΩ 1/10W J	1	
	R642	RK73GB2A222J	MG RESISTOR	2.2kΩ 1/10W J	1	
	R643	RK73GB2A163J	MG RESISTOR	16kΩ 1/10W J	1	
	R644	RK73GB2A163J	MG RESISTOR	16kΩ 1/10W J	1	
	R645	RK73GB2A224J	MG RESISTOR	220kΩ 1/10W J	1	
	R646	RK73GB2A224J	MG RESISTOR	220kΩ 1/10W J	1	
	R647	RK73GB2A222J	MG RESISTOR	2.2kΩ 1/10W J	1	
	R648	RK73GB2A222J	MG RESISTOR	2.2kΩ 1/10W J	1	
	R649	RK73GB2A103J	MG RESISTOR	10kΩ 1/10W J	1	
	R650	RK73GB2A103J	MG RESISTOR	10kΩ 1/10W J	1	
	R651	RK73GB2A222J	MG RESISTOR	2.2kΩ 1/10W J	1	
	R652	RK73GB2A222J	MG RESISTOR	2.2kΩ 1/10W J	1	
	R653	RK73GB2A241J	MG RESISTOR	240Ω 1/10W J	1	
	R654	RK73GB2A241J	MG RESISTOR	240Ω 1/10W J	1	
	R655	RK73GB2A154J	MG RESISTOR	150kΩ 1/10W J	1	
	R656	RK73GB2A154J	MG RESISTOR	150kΩ 1/10W J	1	
	R701	RK73GB2A163J	MG RESISTOR	16kΩ 1/10W J	1	
	R702	RK73GB2A472J	MG RESISTOR	4.7kΩ 1/10W J	1	
	R703	RK73GB2A222J	MG RESISTOR	2.2kΩ 1/10W J	1	
	R704	RK73GB2A333J	MG RESISTOR	33kΩ 1/10W J	1	
	R705	RK73GB2A753J	MG RESISTOR	75kΩ 1/10W J	1	
	VR500	R31-0264-05	V RESISTOR		1	
	VR501	R31-0265-05	V RESISTOR		1	
	VR600	R31-0264-05	V RESISTOR		1	
	VR601	R31-0265-05	V RESISTOR		1	
	VR602	R31-0268-05	V RESISTOR		1	
	L1	LR19E0BG100M	LEADED INDUCTOR		1	
	L2	LR19E0BG100M	LEADED INDUCTOR		1	
	L3	LR19E0BG100M	LEADED INDUCTOR		1	
	L4	LR19E0BG100M	LEADED INDUCTOR		1	
	L5	L33-3209-05	CHOKE COIL		1	
	L6	L19-0841-05	CONVERT TRANS		1	
	CN1	EC710AM-0514A	FFC FPC CONNE		1	
	CN501	EC720AA-0514A	FFC FPC CONNE		1	
	J1	E70-0871-25	SCREW TER. BOARD		1	K1
	J1	E70-0871-15	SCREW TER. BOARD		1	K0,W1
	J501	E6D-0003-00	PIN JACK		1	
	P701	J22-2069-04	MOUNTING		1	
	S500	S31-2630-05	SLIDE SWITCH		1	
	S600	S31-2630-05	SLIDE SWITCH		1	
	TH1	TH11-3H103FT	THERMISTOR		1	
	TH2	TH11-3H103FT	THERMISTOR		1	
	TH3	TH11-3H103FT	THERMISTOR		1	
	TH4	TH11-3H103FT	THERMISTOR		1	
	W50	RK73EB2E000J	MG RESISTOR	0Ω 1/4W J	1	
	W51	RK73EB2E000J	MG RESISTOR	0Ω 1/4W J	1	
	W52	RK73EB2E000J	MG RESISTOR	0Ω 1/4W J	1	
	W53	RK73EB2E000J	MG RESISTOR	0Ω 1/4W J	1	
	W54	RK73EB2E000J	MG RESISTOR	0Ω 1/4W J	1	
	W55	RK73EB2E000J	MG RESISTOR	0Ω 1/4W J	1	
	W56	RK73EB2E000J	MG RESISTOR	0Ω 1/4W J	1	