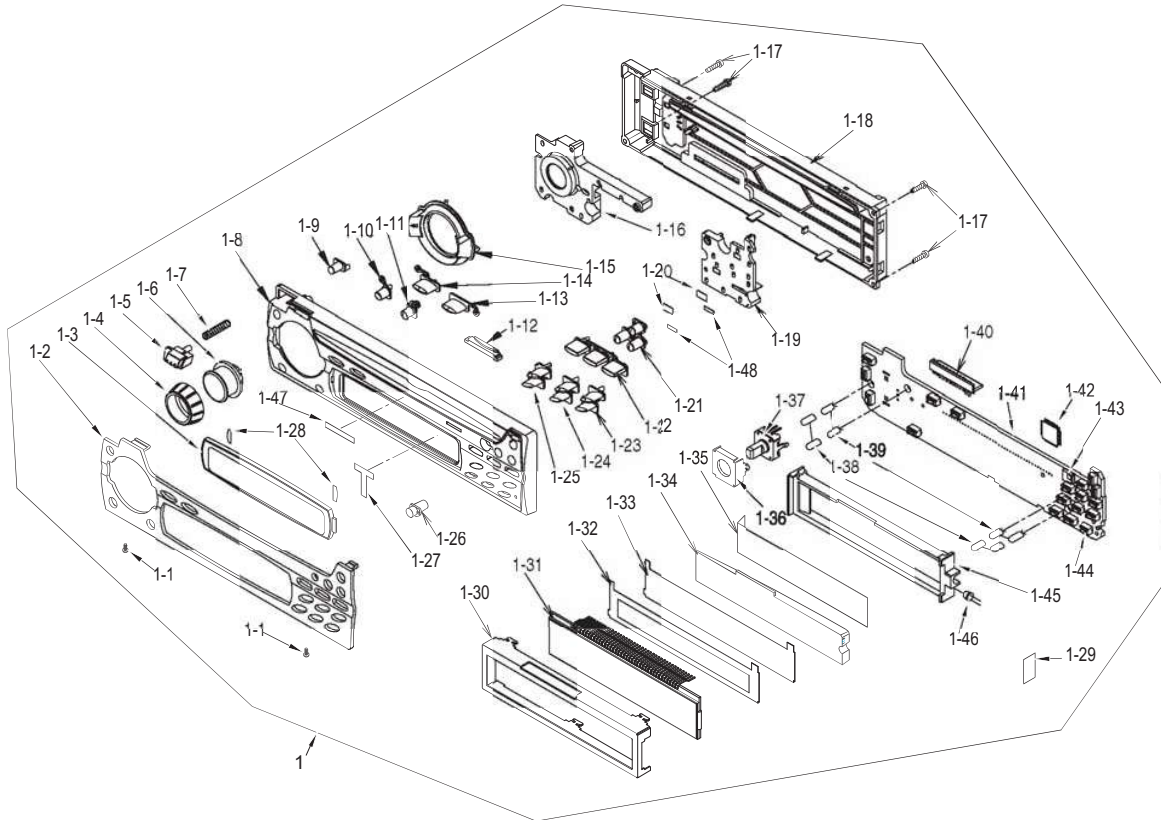


EXPLODE VIEW • PARTS LIST

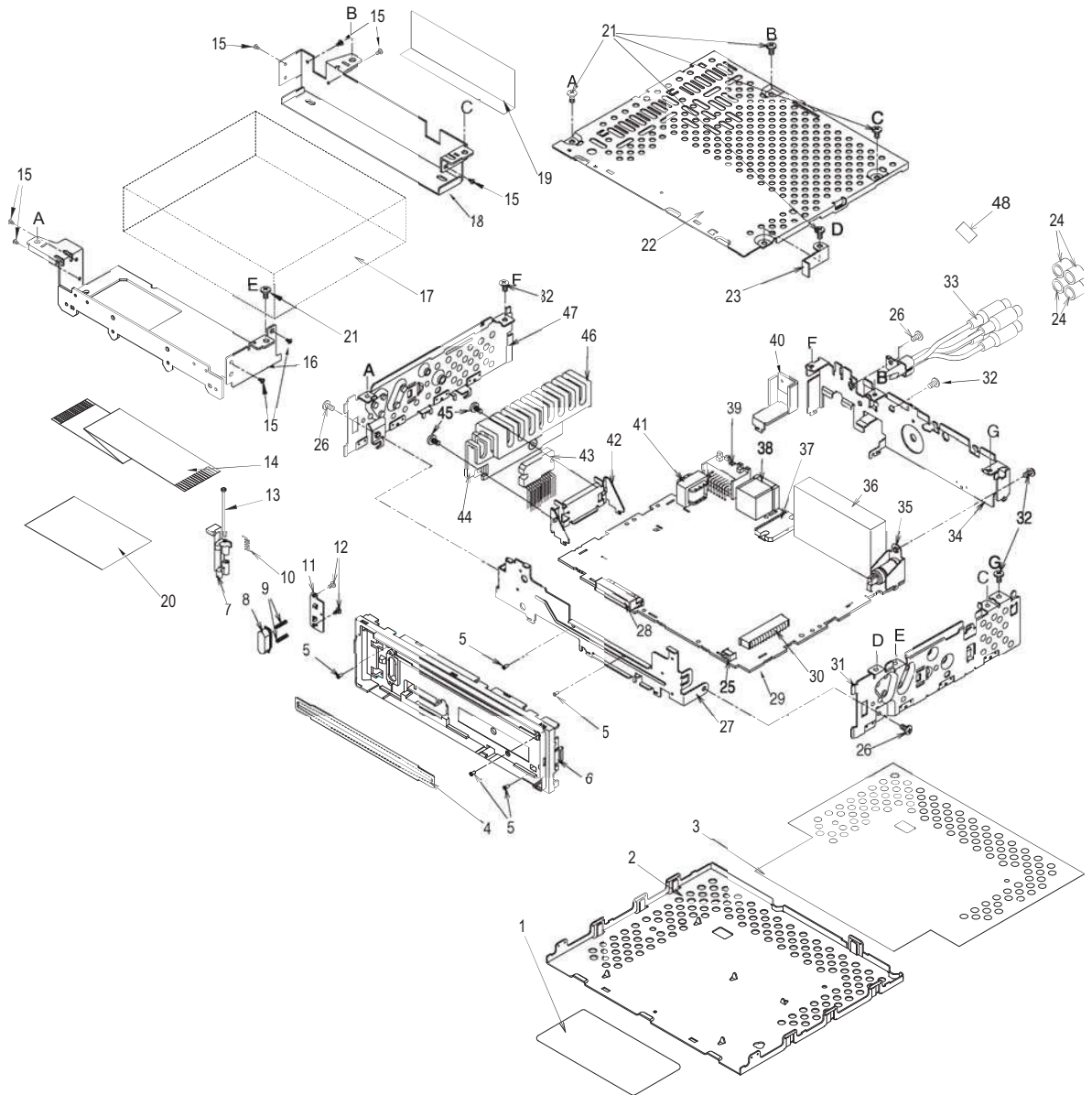
DCP section



NO.	PART NO	DESCRIPTION	Q'TY
1	DCP-397-600	DCP (PE2498B-A/2499K-A)	1
	DCP-406-600	DCP(PE-2498B-B)	1
1-1	714-2003-87	SCREW(M2X3)	2
1-2	371-5710-03	FACE PANEL (PE-2498B-A-2499K-A)	1
	371-5710-05	FACE PANEL (PE-2498B-B)	1
1-3	373-0984-00	DIAL-CVR	1
1-4	345-8670-00	RUBEER PART	1
1-5	382-6391-00	BUTTON(OPEN)	1
1-6	380-5536-00	KNOB(VOL)	1
1-7	750-6716-00	SPRING(OPEN)	1
1-8	370-5992-00	ESCUTCHEON	1
1-9	382-6395-00	BUTTON (MUTE/>/II)	1
1-10	382-6394-00	BUTTON (AM)	1
1-11	382-6400-00	BUTTON (ISR)	1
1-12	335-6691-00	ILLUMI PLATE	1
1-13	382-6402-00	BUTTON(BAND)	1
1-14	382-6393-00	BUTTON(FUNC)	1
1-15	382-6392-00	BUTTON(SRCH)	1
1-16	335-6685-00	ILLUMI PLATE(L)	1
1-17	778-2006-00	SCREW(2x6)	4
1-18	335-6199-04	REAR-CVR	1
1-19	335-6684-00	ILLUMI PLATE(R)	1
1-20	347-6700-00	SHADE	2
1-21	382-6401-00	BUTTON(Z.D.E)	1
1-22	382-6399-00	BUTTON(SCN/RPT/RDM)	1

NO.	PART NO	DESCRIPTION	Q'TY
1-23	382-6398-00	BUTTON(3-6)	1
1-24	382-6397-00	BUTTON(2-5)	1
1-25	382-6396-00	BUTTON(1-4)	1
1-26	335-6690-00	IR FILTER	1
1-27	347-6756-00	SURGE FILM	1
1-28	347-6699-00	DOUBLE FACE	2
1-29	347-6698-00	SHADE	1
1-30	331-3308-00	LCD COVER	1
1-31	379-1225-41	INDICATOR	1
1-32	347-6703-00	BLACK FILM	1
1-33	347-6701-00	LCD FILM	1
1-34	335-6671-00	ILLUMI PLATE	1
1-35	347-6702-00	REFLECTOR	1
1-36	331-3337-00	VR HOLDER	1
1-37	016-9900-84	VR W/SHAFT	1
1-38	345-8681-00	LAMP CAP	4
1-39	017-0444-00	PILOT LAMP(14V 50mA)	4
1-40	076-0615-00	PLUG	1
1-41	039-2076-00	SWITCH PWB (WITHOUT COMPONENTS)	1
1-42	051-6013-00	IC	1
1-43	060-4008-00	IR-RECEIVE	1
1-44	013-6305-50	TACT SWITCH	19
1-45	335-6672-00	LCD HOLDER	1
1-46	001-7046-00	DIODE	1
1-47	347-5923-00	DOUBLE FACE	1
1-48	347-6763-00	SHADE	2

Main section

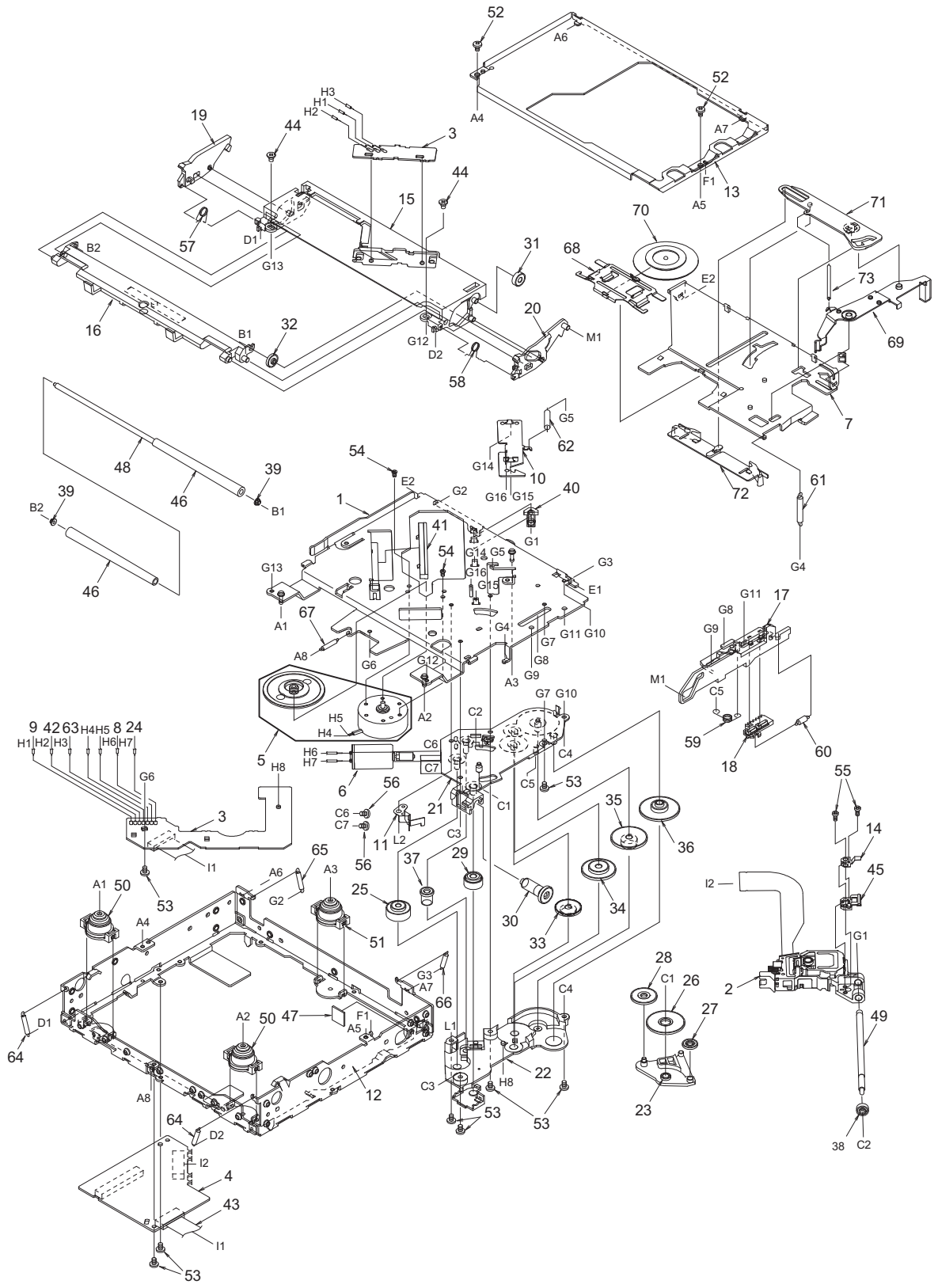


NO.	PART NO	DESCRIPTION	Q'TY
1	286-9904-00	SET PLATE(PE-2498B-A)	1
	286-9919-00	SET PLATE (PE-2499K-A)	1
	286-9952-00	SET PLATE (PE-2498B-B)	1
2	304-0460-01	LOWER-CVR	1
3	347-5918-00	INSULATOR	1
4	346-0097-00	LEATHER SHEET	1
5	780-2004-01	SCREW(M2x4)	5
6	370-5791-07	INNER-ES	1
7	335-5915-01	HOOK	1
8	382-4078-00	BUTTON(P-OUT)	1
9	750-3173-00	SPR ING	2
10	750-3219-00	SPR ING(F-HOOK)	1
11	331-2594-00	HOOK PLATE	1
12	716-0778-00	WAVE SCREW(2x6)	2
13	341-1627-00	SHAFT	1
14	816-2569-50	FLAT CABLE	1
15	714-2603-80	SCREW(M2.6x3)	8
16	331-3323-00	CD-SUB-BRKT(F)	1
17	929-0220-83	CD-MECH-MODULE	1
18	331-3324-00	CD-SUB-BRKT(R)	1
19	347-6705-00	INSULATOR	1
20	347-6729-00	INSULATOR	1
21	731-3006-80	TAP TIGHT SCREW(M3x6)	5
22	303-0472-04	UPPER-CVR	1
23	331-2744-00	STOPPER	1
24	345-3799-20	RUBBER PART	4
25	013-6100-00	SWITCH	1

NO.	PART NO	DESCRIPTION	Q'TY
26	731-3006-80	TAP TIGHT SCREW(M3x6)	3
27	309-0721-01	FRONT PLATE	1
28	074-1217-00	OUTLET SOCKET	1
29	039-2094-00	MAIN PWB (WITHOUT COMPONENT)	1
30	074-1191-26	OUTLET SOCKET	1
31	305-0275-30	SIDE-CVR(R)	1
32	714-3006-81	MACHINE SCREW(M3x6)	4
33	855-5428-50	RCA PIN CORD	1
34	307-0626-01	REAR-CVR	1
35	092-4000-51	ANT RECEPT	1
36	880-2089B	TUNER	1
37	051-3297-10	IC	1
38	074-1126-10	OUTLET SOCKET (PE-2498B-A/2499K-A)	1
39	074-1214-00	OUTLET SOCKET	1
40	313-1846-00	HEAT SINK	1
41	009-9006-60	CHOKE	1
42	331-2255-20	IC-HOLDER	1
43	051-2041-00	IC	1
44	313-1818-00	HEAT SINK	1
45	731-3008-89	TAP TIGHT SCREW (M3x8)	2
46	313-1817-00	HEAT SINK	1
47	305-0274-31	SIDE-CVR(L)	1
48	347-5973-00	SHADE (PE-2498B-B ONLY)	1

■ EXPLODE VIEW

CD mechanism section: 929-0220-83



■ PARTS LIST

CD mechanism section:

929-0220-83

NO.	PART NO.	DESCRIPTION	QTY
1	966-0595-25	DRIVE PLATE ASSY	1
2	969-0060-30	PICK UP UNIT	1
3	039-1944-21	LED PWB (WITHOUT COMPONENT)	1
4	039-1945-20	CD PWB (WITHOUT COMPONENT)	1
5	SMA-182-100	MOTOR ASSY(SPINDLE)	1
6	SMA-183-100	MOTOR ASSY(SLED)	1
7	620-1022-24	CLAMPER LINK	1
8	803-4906-60	VINYL COAT WIRE(ORG)	1
9	816-2591-00	LEAD WIRE(YEL)	1
10	620-1025-22	ID-LOCK PLATE	1
11	620-1026-21	SPRING PLATE	1
12	620-1027-25	LOWER CHASSIS	1
13	620-1028-22	UPPER CHASSIS	1
14	966-0638-20	SH-RACK-ASSY	1
15	621-0598-26	UPPER GUIDE	1
16	621-0599-25	ROLLER GUIDE	1
17	621-0600-25	SHIFT LEVER	1
18	621-0601-21	RACK	1
19	621-0602-22	LOCK ARM L	1
20	621-0603-25	LOCK ARM R	1
21	621-0604-21	GEAR BASE	1
22	621-0605-21	GEAR COVER	1
23	621-0606-21	IDLE CASE	1
24	816-2590-00	LEAD WIRE(GRN)	1
25	621-0608-21	SECOND GEAR	1
26	621-0609-20	BASE GEAR	1
27	621-0610-20	IDLE GEAR A	1
28	621-0611-20	IDLE GEAR B	1
29	621-0612-21	ROLLER GEAR A	1
30	621-0613-20	ROLLER GEAR B	1
31	621-0614-20	ROLLER GEAR C	1
32	621-0615-21	ROLLER GEAR D	1
33	621-0616-20	POWER GEAR A	1
34	621-0617-20	POWER GEAR B	1
35	621-0618-20	POWER GEAR C	1
36	621-0619-20	POWER GEAR D	1
37	621-0620-20	THREAD GEAR A	1
38	621-0621-20	THREAD GEAR B	1
39	621-0622-21	ROLLER SLEEVE	2
40	621-0623-21	LS-HOLDER	1
41	621-0624-21	GUIDE RAIL	1
42	816-2593-00	LEAD WIRE(PUR)	1
43	816-2542-01	FLAT WIRE(10P)	1
44	716-3473-00	SCREW	2
45	621-0709-20	SH-BASE	1
46	621-0629-20	LOADING ROLLER	2
47	345-8704-20	CUSHION RUBBER	1
48	622-1571-20	ROLLER SHAFT	1
49	624-0018-01	LEAD SCREW	1
50	629-0081-20	DAMPER F	2
51	629-0082-20	DAMPER R	1
52	714-2003-81	MACHINE SCREW	2

NO.	PART NO.	DESCRIPTION	QTY
53	716-1507-00	SCREW	8
54	716-1733-00	SCREW	2
55	716-3469-00	SPECIAL SCREW	2
56	716-3446-00	SCREW	2
57	750-3465-21	ROLLER SPRING L	1
58	750-3466-20	ROLLER SPRING R	1
59	750-3467-21	SHIFT SPRING	1
60	750-3468-20	RACK SPRING	1
61	750-3469-20	CLAMPER SPRING	1
62	750-3470-20	ID-LOCK SPRING	1
63	816-2592-00	LEAD WIRE(BLU)	1
64	750-3472-21	DR-SPRING F	2
65	750-3473-20	DR-SPRING RA	1
66	750-3474-20	DR-SPRING RB	1
67	750-3475-21	DR-SPRING C	1
68	620-1023-23	CLAMPER PLATE	1
69	620-1024-23	SENSOR ARM	1
70	621-0708-20	CLAMPER RING	1
71	621-0626-20	STOPPER LINK	1
72	621-0627-21	DISC STOPPER	1
73	750-3471-20	SENSOR SPRING	1

ELECTRICAL PARTS LIST

Main PWB section(B1)

REF No.	PART No.	DESCRIPTION	REF No.	PART No.	DESCRIPTION	REF No.	PART No.	DESCRIPTION
A101	092-4000-51	ANT-RECEPT	D202	001-0330-00	ISS119	R108	119-1021-15	1K
C102	166-2201-50	22P	D203	001-0376-44	MTZ8.2JB	R109	119-1011-15	100
C103	166-2201-50	22P	D301	001-0330-00	ISS119	R110	119-2221-15	2.2K
C104	168-1032-55	0.01μF	D302	001-0330-00	ISS119	R111	119-4741-15	470K
C105	168-1032-55	0.01μF	D401	001-0330-00	ISS119	R112	119-1021-15	1K
C106	168-2232-55	0.022μF	D402	001-0330-00	ISS119	R113	119-1531-15	15K
C107	182-4763-33	16V 47μF	D404	001-0330-00	ISS119	R201	119-4721-15	4.7K
C108	182-4763-33	16V 47μF	D405	001-0466-01	S5688G	R202	119-4721-15	4.7K
C109	042-9003-00	10V 100μF	D408	001-0466-01	S5688G	R203	119-5631-15	56K
C110	168-1032-55	0.01μF	D601	001-0330-00	ISS119	R204	119-1031-15	10K
C111	168-6822-55	6800P	D602	001-0466-01	S5688G	R205	119-1031-15	10K
C112	168-2732-55	0.027μF	D603	001-0466-01	S5688G	R206	119-1031-15	10K
C113	168-2732-55	0.027μF	D604	001-0466-01	S5688G	R207	119-1031-15	10K
C114	168-1032-55	0.01μF	D605	001-0466-01	S5688G	R209	119-4731-15	47K
C115	166-1022-55	1000P	D606	001-0466-01	S5688G	R210	119-3331-15	33K
C116	182-1053-63	50V 1μF	D607	001-0466-01	S5688G	R211	119-2231-15	22K
C117	168-8222-55	0.0082μF	D608	001-0466-01	S5688G	R212	119-4721-15	4.7K
C118	182-3353-62	50V 3.3μF	D609	001-0466-01	S5688G	R213	119-1531-15	10K
C119	168-1032-55	0.01μF	D610	001-0592-00	RM4Z	R216	119-1031-15	10K
C120	168-1042-78	0.1μF	D611	001-0330-00	ISS119	R217	119-1031-15	10K
C121	168-1042-78	0.1μF	D701	001-0376-20	MTZ3.9JB	R218	119-4731-15	47K
C122	168-1032-55	0.01μF	D801	001-0330-00	ISS119	R219	119-1031-15	10K
C123	168-2232-55	0.022μF	D802	001-0330-00	ISS119	R220	119-1031-15	10K
C200	168-1042-78	0.1μF	IC201	052-1933-00	UPD178018	R221	119-1031-15	10K
C201	184-2273-32	16V 220μF	IC301	051-0160-01	HD74LS07	R222	119-1021-15	1K
C202	168-1032-55	0.01μF	IC401	051-3297-10	BA4916	R223	119-1031-15	10K
C203	182-4763-33	16V 47μF	IC501	015-5028-90	TDA7409	R224	119-2221-15	2.2K
C204	166-3311-50	330P	IC601	051-2041-00	LA47503	R225	119-2221-15	2.2K
C205	166-1011-50	100P	IC701	051-0556-91	NJM2058M	R226	119-2221-15	2.2K
C206	166-1011-50	100P	J805	119-0000-05	0	R227	119-2221-15	2.2K
C207	166-1011-50	100P	J806	119-0000-05	0	R228	119-1031-15	10K
C208	168-1042-78	0.1μF	J807	119-0000-05	0	R229	119-1031-15	10K
C209	166-2201-50	22P	J808	119-0000-05	0	R230	119-4711-15	470
C210	166-2201-50	22P	J810	119-0000-05	0	R231	119-1001-15	10
C211	168-1042-78	0.1μF	J811	119-0000-05	0	R232	119-4731-15	47K
C212	168-4732-78	0.047μF	J815	119-0000-05	0	R233	119-4731-15	47K
C213	168-4732-78	0.047μF	J816	119-0000-05	0	R234	119-1031-15	10K
C214	168-1032-55	0.01μF	J818	119-0000-05	0	R235	119-1021-15	1K
C301	168-4732-78	0.047μF	J819	119-0000-05	0	R236	119-2231-15	22K
C401	168-1022-55	1000P	J824	119-0000-05	0	R301	119-4721-15	4.7K
C402	042-9003-00	10V 100μF	L101	010-2003-04	30uH	R302	119-4721-15	4.7K
C403	182-4763-33	16V 47μF	L102	010-9009-01	2.2uH	R303	119-1021-15	1K
C405	182-1063-33	16V 10μF	L201	010-9000-02	220uH	R304	119-4721-15	4.7K
C407	182-4763-33	16V 47μF	L301	010-2230-26	22uH	R305	119-1021-15	1K
C408	184-2273-32	16V 220μF	L601	009-9006-60	CHOKE	R306	119-4721-15	4.7K
C501	166-1011-50	100P	L701	010-2230-30	47uH	R307	119-1021-15	1K
C502	166-1011-50	100P	L702	010-2230-30	47uH	R308	119-1031-15	10K
C505	182-1053-63	50V 1μF	L704	010-2230-30	47uH	R314	119-4731-15	47K
C506	182-1053-63	50V 1μF	L705	010-2230-30	47uH	R401	119-1231-15	12K
C507	182-1053-63	50V 1μF	Q101	191-1237-50	B1237	R402	119-1541-15	150K
C508	182-1053-63	50V 1μF	Q102	191-1237-50	B1237	R403	119-3321-15	3.3K
C509	182-1063-33	16V 10μF	Q103	125-2004-92	RN1402	R404	111-1221-91	1.2K
C510	182-4763-33	16V 47μF	Q104	125-2004-92	RN1402	R405	119-1031-15	10K
C511	168-1032-55	0.01μF	Q105	192-2458-51	C2458GR	R406	119-1031-15	10K
C516	168-1042-78	0.1μF	Q106	192-2458-51	C2458GR	R407	111-1021-91	1K
C601	182-3343-63	50V 0.33μF	Q107	125-2004-93	RN1043	R408	119-1021-15	1K
C602	182-3343-63	50V 0.33μF	Q202	125-0002-92	RN2402	R409	119-1031-15	10K
C603	182-3343-63	50V 0.33μF	Q203	191-1237-50	B1237	R410	119-1031-15	10K
C604	182-3343-63	50V 0.33μF	Q204	190-1162-00	A1162	R411	111-1221-91	1.2K
C605	183-2253-61	2.2μF	Q206	192-2712-00	C2712	R412	111-1521-91	1.5K
C606	183-6843-61	0.68μF	Q207	125-2004-92	RN1402	R413	111-6811-91	680
C607	182-2263-33	16V 22μF	Q301	125-2004-92	RN1402	R414	119-1831-15	18K
C608	182-4763-33	16V 47μF	Q401	125-2004-92	RN1402	R501	119-4721-15	4.7K
C609	183-6843-61	0.68μF	Q402	191-1243-00	B1243	R502	119-4721-15	4.7K
C610	172-1041-15	0.1μF	Q403	191-1243-00	B1243	R503	119-4721-15	4.7K
C611	042-0447-00	16V 2200μF	Q404	125-2004-92	RN1402	R504	119-4721-15	4.7K
C612	172-1041-15	0.1μF	Q405	191-1243-00	B1243	R505	119-4721-15	4.7K
C613	172-1041-15	0.1μF	Q406	191-1243-00	B1243	R506	119-4721-15	4.7K
C614	172-1041-15	0.1μF	Q407	125-2004-92	RN1402	R507	119-3311-15	330
C615	172-1041-15	0.1μF	Q408	193-1306-00	D1306	R508	119-3311-15	330
C616	182-2263-33	16V 22μF	Q409	193-1858-00	D1858	R509	119-3311-15	330
C701	182-4763-33	16V 47μF	Q701	193-1306-00	D1306	R510	119-3311-15	330
C702	182-1063-33	16V 10μF	Q702	193-1306-00	D1306	R511	119-1031-15	10K
C703	182-1063-33	16V 10μF	Q703	193-1306-00	D1306	R516	119-4701-15	47
C704	182-1063-33	16V 10μF	Q704	193-1306-00	D1306	R601	119-1031-15	10K
C705	182-1063-33	16V 10μF	Q802	193-1858-00	D1858	R606	119-1031-15	10K
C801	184-2273-32	16V 220μF	Q803	100-1048-00	A1048	R607	111-4721-91	4.7K
C802	168-1032-55	0.01μF	Q804	125-2004-92	RN1402	R608	119-4731-15	47K
C803	184-2273-32	16V 220μF	Q805	125-2004-92	RN1402	R701	119-1021-15	1K
C804	168-1032-55	0.01μF	Q806	125-2004-92	RN1402	R702	119-1021-15	1K
C805	168-1032-55	0.01μF	R101	119-2221-15	2.2K	R703	119-2231-15	22K
C806	168-1032-55	0.01μF	R102	119-1031-15	10K	R704	119-2231-15	22K
CN301	074-1126-10	C-BUS	R103	119-2231-15	22K	R705	119-2231-15	22K
CN401	074-1217-00	DCP CON	R104	119-2231-15	22K	R706	119-2231-15	22K
CN601	074-1214-00	EXTENSION	R105	119-2221-15	2.2K	R707	119-1031-15	10K
CN701	855-5428-50	RCA PIN CORD	R106	119-2221-15	2.2K	R708	119-1031-15	10K
CN801	074-1191-26	CD MECH	R107	119-1021-15	1K	R711	119-1031-15	10K

Main PWB section(B1)

REF No.	PART No.	DESCRIPTION
R712	119-1031-15	10K
R713	119-3311-15	330
R714	119-1031-15	10K
R715	119-1031-15	10K
R718	119-1031-15	10K
R719	119-1031-15	10K
R801	119-4731-15	47K
R802	119-1041-15	100K

REF No.	PART No.	DESCRIPTION
R803	119-1041-15	100K
R804	119-4731-15	47K
R806	111-4711-91	470
R807	119-2231-15	22K
R808	119-1031-15	10K
R809	119-1021-15	1K
SUP101	060-0122-91	SURGE-PROTECTOR

REF No.	PART No.	DESCRIPTION
SW201	013-6100-00	SWITCH
TU101	880-2089B	TUNER
X101	061-1064-00	CRYSTAL 4.5MHz

SW PWB section(B2)

REF No.	PART No.	DESCRIPTION
C701	168-1022-55	100P
C702	168-4732-78	0.47µF
C703	168-4732-78	0.47µF
C704	042-0416-51	6.3V 10µF
C705	042-0416-51	6.3V 10µF
D701	001-7046-00	LED
D703	001-0529-14	MA8030L
D704	001-0529-29	MA8051M
D705	001-7062-91	LED
D706	001-0529-41	MA8075U
D707	001-0529-41	MA8075U
D708	001-0529-41	MA8075U
D709	001-0529-41	MA8075U
IC701	051-6013-00	LC75854W
IR701	060-4008-00	IR-RECEIVE
LCD701	379-1225-41	DISPLAY
P701	076-0615-00	PLUG
PL701	017-0444-00	PILOTLAMP
PL702	017-0444-00	PILOTLAMP
PL703	017-0444-00	PILOTLAMP

REF No.	PART No.	DESCRIPTION
PL704	017-0444-00	PILOTLAMP
Q701	190-1162-00	2SA1162
Q702	125-2004-93	RN1043
Q703	125-2004-93	RN1043
R701	119-4731-15	47K
R702	119-1031-15	10K
R703	119-1011-15	100
R704	119-1021-15	1K
R705	119-1011-15	100
R706	119-2711-15	270
R707	119-2211-15	220
R708	119-8211-15	820
R709	119-1041-15	100K
R710	119-3921-15	3.9K
R711	119-2211-15	220
R712	119-3311-15	330
R716	119-2221-15	2.2K
R717	119-2221-15	2.2K
S701	013-6305-50	AF/RPT
S702	013-6305-50	TA

REF No.	PART No.	DESCRIPTION
S703	013-6305-50	
S704	013-6305-50	RDM
S705	013-6305-50	PLAY/PAUSE
S706	013-6305-50	Z-EHCR
S707	013-6305-50	A-M
S708	013-6305-50	1
S709	013-6305-50	4
S710	013-6305-50	
S711	013-6305-50	2
S712	013-6305-50	5
S713	013-6305-50	SCN
S714	013-6305-50	3
S715	013-6305-50	6
S716	013-6305-50	DISP
S717	013-6305-50	BAND
S718	013-6305-50	FUNC
S719	013-6305-50	EJECT
VR720	016-9900-08	VR W/SHAFT

CD PWB section (B3)

Note) Several different parts of the same reference number are alternative parts.
One of those parts is used in the set.

REF No.	PART No.	DESCRIPTION
C101	168-1042-78	0.1µF
C102	045-4701-50	47pF
C103	046-4722-58	4700pF
C104	168-1042-78	0.1µF
C105	046-1532-78	0.015µF
C106	046-1032-78	0.01µF
C107	046-1032-78	0.01µF
C108	046-4722-58	4700pF
C109	046-1522-58	1500pF
C110	046-3332-78	0.033µF
C111	168-1042-78	0.1µF
C112	046-3332-78	0.033µF
C113	168-1042-78	0.1µF
C114	168-1042-78	0.1µF
C115	046-4712-58	470pF
C116	046-4712-58	470pF
C117	043-0533-50	0.047µF
C118	043-0533-50	0.047µF
C119	045-2701-50	27pF
C120	045-1801-50	18pF
C121	163-1063-35	16V10µF
C122	178-1052-78	1µF
C123	046-1032-78	0.01µF
C124	163-1073-05	4V100µF
C125	168-1042-78	0.1µF
C126	168-1042-78	0.1µF
C129	178-1052-78	1µF
C201	163-3363-05	4V33µF
C202	168-1042-78	0.1µF
C203	178-1052-78	1µF
C204	163-1073-05	4V100µF
C205	163-3363-05	4V33µF
C206	168-1042-78	0.1µF

REF No.	PART No.	DESCRIPTION
C207	043-0533-50	0.047µF
C208	046-6822-58	6800pF
C209	168-1042-78	0.1µF
C210	043-0533-50	0.047µF
C211	168-1042-78	0.1µF
C212	168-1042-78	0.1µF
C213	045-5096-50	5pF
C214	045-5601-50	56pF
C215	043-0533-50	0.047µF
C216	178-1052-78	1µF
C217	045-1011-50	100pF
C301	163-1073-35	16V100µF
C302	168-1042-78	0.1µF
C303	043-0533-50	0.047µF
D201	001-0516-90	MA111
IC101	051-6376-00	TC94A14FA
IC102	051-3279-90	BA033LBSG
IC201	051-5710-90	TA2157F
IC301	051-6049-08	BA5983FP-E2
J101	074-1228-76	26P
J201	074-1138-65	15P
J301	074-1138-60	10P
L101	010-2285-57	BLM21B102SpT
L102	010-2285-57	BLM21B102SpT
L103	010-2285-57	BLM21B102SpT
L104	010-2285-57	BLM21B102SpT
L105	010-2285-57	BLM21B102SpT
L401	010-3050-93	10µFH
Q201	131-1188-50	2SB1188
R102	033-5621-15	1/16W 5.6K
R104	033-4731-15	1/16W 47K
R105	033-1041-15	1/16W 100K
R108	033-1531-15	1/16W 15K

REF No.	PART No.	DESCRIPTION
R109	033-1031-15	1/16W 10K
R110	033-1051-15	1/16W 1M
R111	033-3321-15	1/16W 3.3K
R114	033-2211-15	1/16W 220QTY
R115	033-2211-15	1/16W 220
R116	033-1031-15	1/16W 10K
R117	033-1021-15	1/16W 1K
R131	033-4711-15	1/16W 470
R132	033-2211-15	1/16W 220
R201	117-2201-15	1/16W 22
R202	117-2201-15	1/16W 22
R203	033-1041-15	1/16W 100K
R204	033-1041-15	1/16W 100K
R205	033-1041-15	1/16W 100K
R206	033-1041-15	1/16W 100K
R207	033-1041-15	1/16W 100K
R208	033-8231-15	1/16W 82K
R209	033-6811-15	1/16W 680
R210	033-6831-15	1/16W 68K
R211	033-1831-15	1/16W 18K
R212	033-2721-15	1/16W 2.7K
R213	033-1011-15	1/16W 100
R214	033-1021-15	1/16W 1K
R215	033-1031-15	1/16W 10K
R217	033-1041-15	1/16W 100K
R218	033-2211-15	1/16W 200
R301	117-6811-15	1/16W 680
R304	033-3921-15	1/16W 3.9K
R305	033-3921-15	1/16W 3.9K
R306	033-1041-15	1/16W 100K
R307	033-2211-15	1/16W 220
X102	060-1528-90	16.934M

LED PWB section(B4)

REF No.	PART No.	DESCRIPTION
D1	001-7058-90	AN1105W-RR
D2	001-7058-90	AN1105W-RR
J1	074-1138-60	10P

REF No.	PART No.	DESCRIPTION
S1	013-7414-50	CHUCKING
S2	013-7413-50	LIMIT

REF No.	PART No.	DESCRIPTION
Q1	060-4015-90	PS1192H
Q2	060-4015-90	PS1192H