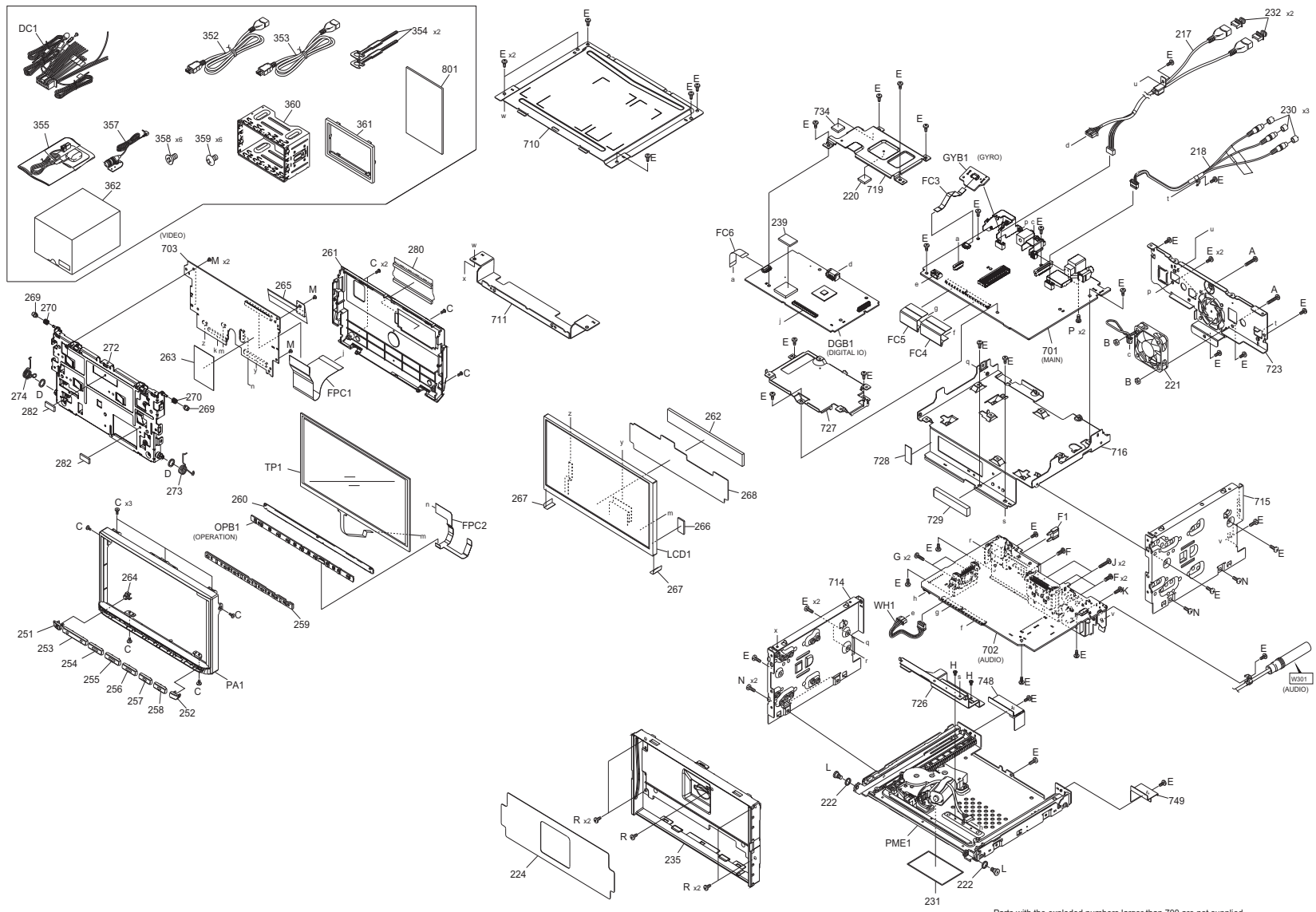


EXPLODED VIEW (UNIT)



No.WA397

(No.WA397<Rev.001>)/3/37

Parts with the exploded numbers larger than 700 are not supplied.
created date:2019-05-10

MODEL	MARK
DNR876S	K1

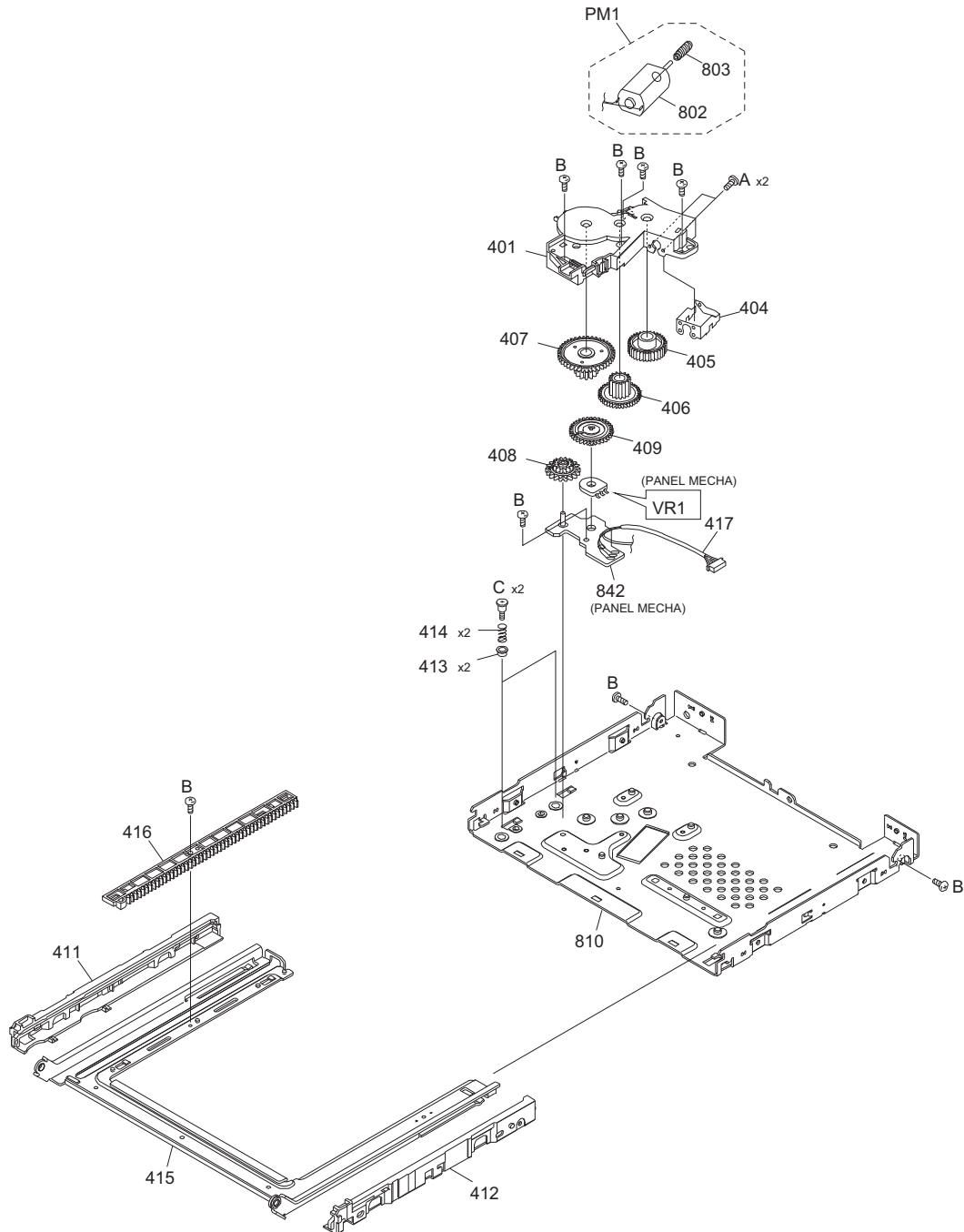
Safe	Symbol No.	Parts No.	Parts Name	Description	QTY	Local
EXPLODED VIEW (UNIT) <M1MM>						
△	DC1	E3A-0578-00	DC CORD		1	
	DGB1	CB-XJA067K00N	DIGITAL IO PWB	XJA-067K-00	1	
	GYB1	CB-XJ5005K00N	GYRO PWB	XJ5-005K-00	1	
△	OPB1	CB-XJ7042K00N	OPERATION PWB	XJ7-042K-00	1	
	F1	FZB10AU-150	BLADE FUSE		1	
	FC3	E3G-0129-00	FFC WIRE		1	
	FC4	EF0AD0560X4BC	FFC WIRE		1	
	FC5	EF0AD0550X4BC	FFC WIRE		1	
	FC6	EF0AA051503AC	FFC WIRE		1	
	FPC1	J8K-0012-10	FLEX P.BOARD		1	
	FPC2	E3J-0046-00	FPC		1	
	LCD1	B3H-0134-00	LCD		1	
	PA1	A6C-0125-0N	PANEL		1	
	PME1	X92-676W-01	MECHANISM ASSY		1	
	TP1	W0C-0196-00	TOUCH PANEL		1	
	WH1	E3F-0116-00	WIRING HARNESS		1	
	A	LV45522-001A	SPECIAL SCREW		2	
	B	QYNTS2600ZA	NUT	M2.6	2	
	C	LV45701-003A	SPECIAL SCREW		11	
	D	N1Y-0020-00	FLAT WASHER		2	
	E	QYSDST2606ZA	TAP SCREW	M2.6 x 6.0mm	42	
	F	QYSPSG3008ZA	TAP SCREW	M3.0 x 8.0mm	3	
	G	QYSDST2610ZA	TAP SCREW	M2.6 x 10.0mm	2	
	H	VKZ4539-054	MINI SCREW		2	
	J	QYSPST2614ZA	TAP SCREW	M2.6 x 14.0mm	2	
	K	QYSDSF2608ZA	TAP SCREW	M2.6 x 8.0mm	1	
	L	N09-6909-05	STEPPED SCREW		2	
	M	QYSDST2005ZA	TAP SCREW	M2.0 x 5.0mm	4	
	N	N0Z-0150-00	TAPTITE SCREW		4	
	P	QYSDSG3006ZA	TAP SCREW	M3.0 x 6.0mm	2	
	R	QYSDST2606MA	TAP SCREW	M2.6 x 6.0mm	5	
	217	E3A-0362-10	CORD W.CON.		1	
	218	E3A-0421-00	CORD W.CON.		1	
	220	LV46006-002A	COOLING RUBBER		1	
	221	F0K-0264-00	FAN		1	
	222	G1A-0048-00	CUSHION		2	
	224	B0D-0006-00	DRESSING SEAL		1	
	230	F2K-0012-00	INS.COVER		3	
	231	G1B-0346-00	SHEET		1	
	232	F0G-0282-00	J.COVER(USB)		2	
	235	A2C-0034-0Q	SUB PANEL		1	
	239	G1D-0034-0U	CONDUCT CUSHION		1	
	251	A2B-0103-03	DRESSING PANEL		1	
	252	A2B-0104-03	DRESSING PANEL		1	
	253	K2K-0235-01	KNOB ASSY		1	
	254	K2K-0236-17	KNOB ASSY		1	
	255	K2K-0237-02	KNOB ASSY		1	
	256	K2K-0238-12	KNOB ASSY		1	
	257	K2K-0239-15	KNOB ASSY		1	
	258	K2K-0240-13	KNOB ASSY		1	
	259	B1K-0071-02	LIGHTING BOARD		1	
	260	J1K-0419-10	HOLDER		1	
	261	A4G-0045-00	REAR COVER		1	
	262	G1B-0262-00	CUSHION		1	
	263	LV45936-001A	SPACER		1	
	264	B1A-0070-00	FRONT GLASS		1	
	265	LV45980-001A	SHIELD SHEET		1	
	266	G1B-0030-02	SOFT TAPE		1	
	267	G1G-0055-08	SHEET		2	
	268	F1C-0186-00	CONDUCT SHEET		1	
	269	LV44469-001A	ROLLER		2	
	270	LV44468-002A	SPRING		2	
	272	J2B-0226-01	BRACKET ASSY		1	
	273	G0A-0080-00	TOR.COIL SPRING		1	
	274	G0A-0081-00	TOR.COIL SPRING		1	
	280	F1K-0041-00	COVER SHEET		1	
	282	G1D-0034-02	CONDUCT CUSHION		2	
	352	E3A-0364-00	USB CORD	BLACK	1	
	353	E3A-0365-00	USB CORD	GRAY	1	
	354	LV45516-001A	LEVER		2	
	355	T9A-0070-00	ANTENNA ASSY		1	
	357	T9B-0066-00	MICROPHONE		1	
	358	QYSSSP5008ZA	SCREW	M5.0 x 8.0mm	6	
	359	QYSTSP5008ZA	SCREW	M5.0 x 8.0mm	6	
	360	LV22876-001A	SLEEVE ASSY		1	
	361	B07-3237-41	ESCUTCHEON		1	
	362	H5A-1734-00	ITEM CARTON		1	
	701	-----	MAIN PWB	NO SERVICE PART	1	
	702	-----	AUDIO PWB	NO SERVICE PART	1	
	703	-----	VIDEO PWB	NO SERVICE PART	1	
	710	-----	TOP PLATE	NO SERVICE PART	1	
	711	-----	BRACKET	NO SERVICE PART	1	
	714	-----	SIDE PLATE	NO SERVICE PART	1	
	715	-----	SIDE PLATE	NO SERVICE PART	1	
	716	-----	SUB CHASSIS	NO SERVICE PART	1	
	719	-----	HEAT SINK	NO SERVICE PART	1	
	723	-----	REAR PANEL	NO SERVICE PART	1	
	726	-----	BRACKET	NO SERVICE PART	1	
	727	-----	BRACKET	NO SERVICE PART	1	
	728	-----	SPACER(H)	NO SERVICE PART	1	
	729	-----	CONDUCT CUSHION	NO SERVICE PART	1	

MODEL	MARK
DNR876S	K1

Safe	Symbol No.	Parts No.	Parts Name	Description	QTY	Local
734		-----	COOL SHEET	NO SERVICE PART	1	
748		-----	BRACKET	NO SERVICE PART	1	
749		-----	BRACKET	NO SERVICE PART	1	
801		-----	GUIDE BOOK	for refurbishment/B5K-0608-00	1	

EXPLODED VIEW (PANEL MECHA ASSY)

Block No.M2MM



Parts with the exploded numbers larger than 800 are not supplied.

MODEL	MARK
DNR876S	K1

Safe	Symbol No.	Parts No.	Parts Name	Description	QTY	Local
EXPLODED VIEW (PANEL MECHA ASSY) <M2MM>						
PM1		XKL-0030-00	MOTOR ASSY		1	
A		N09-6886-05	MACHINE SCREW		2	
B		N0Z-0159-00	TAPTITE SCREW		8	
C		N09-6899-05	STEPPED SCREW		2	
401		J19-7350-01	HOLDER		1	
404		G02-1923-23	FLAT SPRING		1	
405		D13-3089-03	GEAR(WHEEL)		1	
406		D13-3090-03	GEAR(ACT)		1	
407		D13-3091-13	GEAR(DRIVE)		1	
408		D13-3092-13	GEAR(S.ACT)		1	
409		D13-3093-03	GEAR(SENSOR)		1	
411		J9A-0010-10	SLIDE RAIL L		1	
412		J9A-0011-10	SLIDE RAIL R		1	
413		D14-1039-04	ROLLER		2	
414		G09-2098-04	WIRE SPRING		2	
415		D1A-0036-10	SLIDER ASSY		1	
416		D13-3094-02	GEAR(RACK)		1	
417		E3K-0198-00	LEAD WIRE		1	
802		-----	DC MOTOR	NO SERVICE PART	1	
803		-----	GEAR(WORM)	NO SERVICE PART	1	
810		-----	CHASS.CALK.ASSY	NO SERVICE PART	1	
842		-----	PANEL MACHA PWB	NO SERVICE PART	1	

MODEL	MARK
DNR876S	K1

Safe	Symbol No.	Parts No.	Parts Name	Description	QTY	Local
MAIN PWB ASSY(XJ1-236K-01) <XJ1>						
	IC1	NJU7108F3	MOS IC		1	
	IC31	MP9943AGQ	ANALOG IC		1	
	IC71	MM3411A33NE	ANALOG IC		1	
	IC72	XC6223B331P-G	ANALOG IC		1	
	IC73	TC7SET08FUJC	MOS IC		1	
	IC91	MP9942AGJ	ANALOG IC		1	
	IC92	TC7SH08FUJC	MOS IC		1	
	IC93	INA199B3DCK	ANALOG IC		1	
	IC131	MP9942AGJ	ANALOG IC		1	
	IC132	TC7SH08FUJC	MOS IC		1	
	IC133	INA199B3DCK	ANALOG IC		1	
	IC203	TC7SZ125FUJC	MOS IC		1	
	IC204	TC7SZ125FUJC	MOS IC		1	
	IC231	XC6209B502P-G	MOS IC		1	
	IC252	NJW1341VC3	MOS IC		1	
	IC261	NJM4580CV	ANALOG IC		1	
	IC262	BA4580RFVM	BIPOLAR IC		1	
	IC301	W3F-0465-00	MCU IC		1	
	IC302	XC6120N282N-G	MOS IC		1	
	IC303	NJU7108F3	MOS IC		1	
	IC304	TC7SH08FUJC	MOS IC		1	
	IC401	TC7SZ125FUJC	MOS IC		1	
	IC402	TC7SH08FUJC	MOS IC		1	
	IC403	TC7SET08FUJC	MOS IC		1	
	IC501	AK7738VQ	MOS IC		1	
	IC502	AK4388AET	ANALOG IC		1	
	IC503	AK4388AET	ANALOG IC		1	
	IC504	NJM4580CV	ANALOG IC		1	
	IC506	AK4387ET	ANALOG IC		1	
	IC507	XC6209B502P-G	MOS IC		1	
	IC508	MM3411A33NE	ANALOG IC		1	
	IC601	BA4580RFVM	BIPOLAR IC		1	
	IC602	NJM2871BF05	ANALOG IC		1	
	IC801	UBX-M8030-KT	MOS IC		1	
	IC802	NJM2903CRB1	MOS IC		1	
	IC803	BU33SD5WG	MOS IC		1	
	IC804	MM3411A18NE	ANALOG IC		1	
	Q1	MCQ4435	FET		1	
	Q3	LTC014YEBFS8	DIGI TRANSISTOR		1	
	Q4	LTC044EEBFS8	DIGI TRANSISTOR		1	
	Q91	LTC014YEBFS8	DIGI TRANSISTOR		1	
	Q112	LSCR523EBFS8	TRANSISTOR		1	
	Q113	LSAR523EBFS8	TRANSISTOR		1	
	Q114	LTC014YEBFS8	DIGI TRANSISTOR		1	
	Q115	LTC014YEBFS8	DIGI TRANSISTOR		1	
	Q116	LTC044EEBFS8	DIGI TRANSISTOR		1	
	Q117	LTA014YEBFS8	DIGI TRANSISTOR		1	
	Q131	LTC014YEBFS8	DIGI TRANSISTOR		1	
	Q152	LSCR523EBFS8	TRANSISTOR		1	
	Q153	LSAR523EBFS8	TRANSISTOR		1	
	Q154	LTC014YEBFS8	DIGI TRANSISTOR		1	
	Q155	LTC014YEBFS8	DIGI TRANSISTOR		1	
	Q156	LTC044EEBFS8	DIGI TRANSISTOR		1	
	Q157	LTA014YEBFS8	DIGI TRANSISTOR		1	
	Q281	LSCR523UBFS8	TRANSISTOR		1	
	Q301	2SB1689	TRANSISTOR		1	
	Q302	LTC014YEBFS8	DIGI TRANSISTOR		1	
	Q303	LSAR523EBFS8	TRANSISTOR		1	
	Q304	LTA014YEBFS8	DIGI TRANSISTOR		1	
	Q305	LTC044EEBFS8	DIGI TRANSISTOR		1	
	Q306	LTC014YEBFS8	DIGI TRANSISTOR		1	
	Q307	LTC044EEBFS8	DIGI TRANSISTOR		1	
	Q308	LTC014YEBFS8	DIGI TRANSISTOR		1	
	Q309	LTC014YEBFS8	DIGI TRANSISTOR		1	
	Q310	LSAR523EBFS8	TRANSISTOR		1	
	Q311	2SK3019	FET		1	
	Q312	LTC014YEBFS8	DIGI TRANSISTOR		1	
	Q313	2SK3019	FET		1	
	Q314	LTC014YEBFS8	DIGI TRANSISTOR		1	
	Q315	LTA014YEBFS8	DIGI TRANSISTOR		1	
	Q501	LTC014YEBFS8	DIGI TRANSISTOR		1	
	Q502	LTC014YEBFS8	DIGI TRANSISTOR		1	
	Q801	RTR020P02	FET		1	
	D1	RB080LAM-30	SCHOTTKY DIODE		1	
	D2	1SS355VM	DIODE		1	
	D3	UDZV16B	ZENER DIODE		1	
	D5	UDZV8.2B	ZENER DIODE		1	
	D6	UDZV10B	ZENER DIODE		1	
	D7	UDZV16B	ZENER DIODE		1	
	D72	1SS355VM	DIODE		1	
	D91	UDZV6.2B	ZENER DIODE		1	
	D131	UDZV6.2B	ZENER DIODE		1	
	D202	UDZV5.6B	ZENER DIODE		1	
	D203	UDZV5.6B	ZENER DIODE		1	
	D204	1SS355VM	DIODE		1	
	D301	1SS355VM	DIODE		1	
	D401	UDZV5.6B	ZENER DIODE		1	
	D402	UDZV5.6B	ZENER DIODE		1	
	D403	1SS355VM	DIODE		1	
	D502	DAN217UM	DIODE		1	
	D601	UDZV11B	ZENER DIODE		1	

MODEL	MARK
DNR876S	K1

Safe	Symbol No.	Parts No.	Parts Name	Description	QTY	Local
	D602	UDZV11B	ZENER DIODE		1	
	D603	1SS355VM	DIODE		1	
	D801	1SS355VM	DIODE		1	
	C1	CK73HXR1H104K	C CAPACITOR	0.1uF 50V K	1	
	C2	CK73HXR1H104K	C CAPACITOR	0.1uF 50V K	1	
	C4	CK73HXR1H104K	C CAPACITOR	0.1uF 50V K	1	
	C5	CD040CP1C222M	E CAPACITOR	2200uF 16V M	1	
	C6	CK73JXR1H103K	C CAPACITOR	0.01uF 50V K	1	
	C31	CK73HXR1H104K	C CAPACITOR	0.1uF 50V K	1	
	C32	CK73JXR1H103K	C CAPACITOR	0.01uF 50V K	1	
	C33	CK73FXR1E106K	C CAPACITOR	10uF 25V K	1	
	C34	CK73FXR1E106K	C CAPACITOR	10uF 25V K	1	
	C35	CK73HXR1H104K	C CAPACITOR	0.1uF 50V K	1	
	C36	CK73JXR1H103K	C CAPACITOR	0.01uF 50V K	1	
	C37	CK73JXR1E104K	C CAPACITOR	0.1uF 25V K	1	
	C38	CK73JXR1E104K	C CAPACITOR	0.1uF 25V K	1	
	C40	CC73JCH1H560J	C CAPACITOR	56pF 50V J	1	
	C41	CK73EXR1A476K	C CAPACITOR	47uF 10V K	1	
	C42	CK73GXR1A106K	C CAPACITOR	10uF 10V K	1	
	C43	CK73JXR1A104K	C CAPACITOR	0.1uF 10V K	1	
	C44	CK73JXR1H103K	C CAPACITOR	0.01uF 50V K	1	
	C45	CC73HCH1H070D	C CAPACITOR	7pF 50V D	1	
	C46	CC73HCH1H070D	C CAPACITOR	7pF 50V D	1	
	C47	CC73HCH1H070D	C CAPACITOR	7pF 50V D	1	
	C71	CK73HXR1C105K	C CAPACITOR	1uF 16V K	1	
	C72	CK73HXR1C105K	C CAPACITOR	1uF 16V K	1	
	C73	CK73HXR1C105K	C CAPACITOR	1uF 16V K	1	
	C74	CK73HXR1C105K	C CAPACITOR	1uF 16V K	1	
	C75	CK73JXR1H103K	C CAPACITOR	0.01uF 50V K	1	
	C76	CK73FXR1C106K	C CAPACITOR	10uF 16V K	1	
	C91	CK73HXR1H104K	C CAPACITOR	0.1uF 50V K	1	
	C92	CK73JXR1H103K	C CAPACITOR	0.01uF 50V K	1	
	C93	CK73FXR1E106K	C CAPACITOR	10uF 25V K	1	
	C94	CK73FXR1E106K	C CAPACITOR	10uF 25V K	1	
	C95	CK73HXR1H104K	C CAPACITOR	0.1uF 50V K	1	
	C96	CK73JXR1H103K	C CAPACITOR	0.01uF 50V K	1	
	C97	CK73JXR1E104K	C CAPACITOR	0.1uF 25V K	1	
	C98	CK73JXR1E104K	C CAPACITOR	0.1uF 25V K	1	
	C100	CC73JCH1H560J	C CAPACITOR	56pF 50V J	1	
	C101	CK730DT1C476K	C CAPACITOR	47uF 16V K	1	
	C103	CK73JXR1E104K	C CAPACITOR	0.1uF 25V K	1	
	C104	CK73JXR1H103K	C CAPACITOR	0.01uF 50V K	1	
	C105	CK73JXR1H103K	C CAPACITOR	0.01uF 50V K	1	
	C110	CK73HXR1C105K	C CAPACITOR	1uF 16V K	1	
	C111	CK73JXR1A104K	C CAPACITOR	0.1uF 10V K	1	
	C112	CK73HXR1C105K	C CAPACITOR	1uF 16V K	1	
	C114	CK73JXR1H102K	C CAPACITOR	1000pF 50V K	1	
	C121	CK730DT1C476K	C CAPACITOR	47uF 16V K	1	
	C122	CK730DT1C476K	C CAPACITOR	47uF 16V K	1	
	C123	CK730DT1C476K	C CAPACITOR	47uF 16V K	1	
	C124	CK73JXR1H103K	C CAPACITOR	0.01uF 50V K	1	
	C125	CK73JXR1H103K	C CAPACITOR	0.01uF 50V K	1	
	C126	CK730DT1C476K	C CAPACITOR	47uF 16V K	1	
	C127	CK730DT1C476K	C CAPACITOR	47uF 16V K	1	
	C128	CK730DT1C476K	C CAPACITOR	47uF 16V K	1	
	C131	CK73HXR1H104K	C CAPACITOR	0.1uF 50V K	1	
	C132	CK73JXR1H103K	C CAPACITOR	0.01uF 50V K	1	
	C133	CK73FXR1E106K	C CAPACITOR	10uF 25V K	1	
	C134	CK73FXR1E106K	C CAPACITOR	10uF 25V K	1	
	C135	CK73HXR1H104K	C CAPACITOR	0.1uF 50V K	1	
	C136	CK73JXR1H103K	C CAPACITOR	0.01uF 50V K	1	
	C137	CK73JXR1E104K	C CAPACITOR	0.1uF 25V K	1	
	C138	CK73JXR1E104K	C CAPACITOR	0.1uF 25V K	1	
	C140	CC73JCH1H560J	C CAPACITOR	56pF 50V J	1	
	C141	CK730DT1C476K	C CAPACITOR	47uF 16V K	1	
	C143	CK73JXR1E104K	C CAPACITOR	0.1uF 25V K	1	
	C144	CK73JXR1H103K	C CAPACITOR	0.01uF 50V K	1	
	C145	CK73JXR1H103K	C CAPACITOR	0.01uF 50V K	1	
	C150	CK73HXR1C105K	C CAPACITOR	1uF 16V K	1	
	C151	CK73JXR1A104K	C CAPACITOR	0.1uF 10V K	1	
	C152	CK73HXR1C105K	C CAPACITOR	1uF 16V K	1	
	C154	CK73JXR1H102K	C CAPACITOR	1000pF 50V K	1	
	C181	CK73FXR0J226M	C CAPACITOR	22uF 6.3V M	1	
	C182	CK73JXR1A104K	C CAPACITOR	0.1uF 10V K	1	
	C183	CK73GXR0J106K	C CAPACITOR	10uF 6.3V K	1	
	C184	CK73FXR0J226M	C CAPACITOR	22uF 6.3V M	1	
	C201	CK73HXR1H104K	C CAPACITOR	0.1uF 50V K	1	
	C207	CK73JXR1H103K	C CAPACITOR	0.01uF 50V K	1	
	C208	CK73JXR1H103K	C CAPACITOR	0.01uF 50V K	1	
	C231	CK73FXR1C106K	C CAPACITOR	10uF 16V K	1	
	C232	CK73HXR1C105K	C CAPACITOR	1uF 16V K	1	
	C234	CK73HXR1C105K	C CAPACITOR	1uF 16V K	1	
	C235	CK73HXR1C105K	C CAPACITOR	1uF 16V K	1	
	C237	CK73HXR1C105K	C CAPACITOR	1uF 16V K	1	
	C238	CK73HXR1C105K	C CAPACITOR	1uF 16V K	1	
	C241	CK73HXR1C105K	C CAPACITOR	1uF 16V K	1	
	C244	CK73HXR1C105K	C CAPACITOR	1uF 16V K	1	
	C246	CK73HXR1C105K	C CAPACITOR	1uF 16V K	1	
	C248	CK73HXR1C105K	C CAPACITOR	1uF 16V K	1	
	C250	CK73HXR1C105K	C CAPACITOR	1uF 16V K	1	
	C251	CK73HXR1C105K	C CAPACITOR	1uF 16V K	1	
	C252	CK73JXR1A104K	C CAPACITOR	0.1uF 10V K	1	

MODEL	MARK
DNR876S	K1

Safe	Symbol No.	Parts No.	Parts Name	Description	QTY	Local
	C253	CE32BJ1C470M	E CAPACITOR	47uF 16V M	1	
	C254	CK73JXR1A104K	C CAPACITOR	0.1uF 10V K	1	
	C255	CK73HXR1C105K	C CAPACITOR	1uF 16V K	1	
	C261	CC73HCH1H221J	C CAPACITOR	220pF 50V J	1	
	C262	CC73HCH1H221J	C CAPACITOR	220pF 50V J	1	
	C263	CK73HXR1H102K	C CAPACITOR	1000pF 50V K	1	
	C264	CK73HXR1H102K	C CAPACITOR	1000pF 50V K	1	
	C265	CK73GXR1E225K	C CAPACITOR	2.2uF 25V K	1	
	C266	CK73GXR1E225K	C CAPACITOR	2.2uF 25V K	1	
	C267	CK73GXR1E225K	C CAPACITOR	2.2uF 25V K	1	
	C268	CK73GXR1E225K	C CAPACITOR	2.2uF 25V K	1	
	C269	CC73JCH1E331J	C CAPACITOR	330pF 25V J	1	
	C270	CC73JCH1E331J	C CAPACITOR	330pF 25V J	1	
	C271	CC73JCH1H181J	C CAPACITOR	180pF 50V J	1	
	C272	CC73JCH1H181J	C CAPACITOR	180pF 50V J	1	
	C273	CC73JCH1H181J	C CAPACITOR	180pF 50V J	1	
	C274	CC73JCH1H181J	C CAPACITOR	180pF 50V J	1	
	C275	CK73FXR1C106K	C CAPACITOR	10uF 16V K	1	
	C276	CK73HXR1C105K	C CAPACITOR	1uF 16V K	1	
	C277	CK73HXR1C105K	C CAPACITOR	1uF 16V K	1	
	C282	CK73FXR1C106K	C CAPACITOR	10uF 16V K	1	
	C283	CK73FXR0J226M	C CAPACITOR	22uF 6.3V M	1	
	C284	CK73HXR0J224K	C CAPACITOR	0.22uF 6.3V K	1	
	C301	CE32CC1C221M	E CAPACITOR	220uF 16V M	1	
	C302	CE32CC1C221M	E CAPACITOR	220uF 16V M	1	
	C303	CK73GXR0J106K	C CAPACITOR	10uF 6.3V K	1	
	C304	CK73JXR1H222K	C CAPACITOR	2200pF 50V K	1	
	C305	CK73JXR1A104K	C CAPACITOR	0.1uF 10V K	1	
	C306	CK73JXR1A104K	C CAPACITOR	0.1uF 10V K	1	
	C307	CK73JXR1A104K	C CAPACITOR	0.1uF 10V K	1	
	C309	CC73HCH1H100D	C CAPACITOR	10pF 50V D	1	
	C310	CC73HCH1H100D	C CAPACITOR	10pF 50V D	1	
	C312	CK73JXR1A104K	C CAPACITOR	0.1uF 10V K	1	
	C313	CK73JXR1H103K	C CAPACITOR	0.01uF 50V K	1	
	C314	CK73JXR1H103K	C CAPACITOR	0.01uF 50V K	1	
	C315	CK73JXR1H103K	C CAPACITOR	0.01uF 50V K	1	
	C316	CK73JXR1H103K	C CAPACITOR	0.01uF 50V K	1	
	C317	CK73JXR1A104K	C CAPACITOR	0.1uF 10V K	1	
	C318	CK73JXR1A104K	C CAPACITOR	0.1uF 10V K	1	
	C319	CK73JXR1A104K	C CAPACITOR	0.1uF 10V K	1	
	C321	CK73HXR1C105K	C CAPACITOR	1uF 16V K	1	
	C322	CK73JXR1A104K	C CAPACITOR	0.1uF 10V K	1	
	C323	CK73JXR1A104K	C CAPACITOR	0.1uF 10V K	1	
	C324	CK73JXR1A104K	C CAPACITOR	0.1uF 10V K	1	
	C325	CK73EXR0J476M	C CAPACITOR	47uF 6.3V M	1	
	C326	CK73EXR0J476M	C CAPACITOR	47uF 6.3V M	1	
	C327	CK73EXR0J476M	C CAPACITOR	47uF 6.3V M	1	
	C328	CK73EXR0J476M	C CAPACITOR	47uF 6.3V M	1	
	C329	CK73EXR0J476M	C CAPACITOR	47uF 6.3V M	1	
	C330	CK73EXR0J476M	C CAPACITOR	47uF 6.3V M	1	
	C331	CK73JXR1H103K	C CAPACITOR	0.01uF 50V K	1	
	C332	CK73JXR1A104K	C CAPACITOR	0.1uF 10V K	1	
	C333	CK73JXR1H103K	C CAPACITOR	0.01uF 50V K	1	
	C401	CK73JXR1H103K	C CAPACITOR	0.01uF 50V K	1	
	C402	CK73JXR1H103K	C CAPACITOR	0.01uF 50V K	1	
	C403	CK73JXR1H103K	C CAPACITOR	0.01uF 50V K	1	
	C413	CK73HXR1H102K	C CAPACITOR	1000pF 50V K	1	
	C501	CK73HXR1C105K	C CAPACITOR	1uF 16V K	1	
	C502	CK73HXR1C105K	C CAPACITOR	1uF 16V K	1	
	C503	CC73JCH1H151J	C CAPACITOR	150pF 50V J	1	
	C504	CC73JCH1H151J	C CAPACITOR	150pF 50V J	1	
	C505	CK73HXR1C105K	C CAPACITOR	1uF 16V K	1	
	C506	CK73HXR1C105K	C CAPACITOR	1uF 16V K	1	
	C507	CK73HXR1C105K	C CAPACITOR	1uF 16V K	1	
	C511	CK73FXR1C106K	C CAPACITOR	10uF 16V K	1	
	C512	CK73HXR1H222K	C CAPACITOR	2200pF 50V K	1	
	C513	CK73HXR1H222K	C CAPACITOR	2200pF 50V K	1	
	C514	CK73HXR1H222K	C CAPACITOR	2200pF 50V K	1	
	C515	CK73HXR1H222K	C CAPACITOR	2200pF 50V K	1	
	C516	CK73GXR1A106K	C CAPACITOR	10uF 10V K	1	
	C517	CK73HXR1C105K	C CAPACITOR	1uF 16V K	1	
	C518	CK73HXR1C105K	C CAPACITOR	1uF 16V K	1	
	C519	CK73JXR1A104K	C CAPACITOR	0.1uF 10V K	1	
	C520	CK73JXR1A104K	C CAPACITOR	0.1uF 10V K	1	
	C521	CK73GXR0J106K	C CAPACITOR	10uF 6.3V K	1	
	C522	CK73GXR1A106K	C CAPACITOR	10uF 10V K	1	
	C523	CK73HXR1H222K	C CAPACITOR	2200pF 50V K	1	
	C524	CK73HXR1H222K	C CAPACITOR	2200pF 50V K	1	
	C525	CK73HXR1H222K	C CAPACITOR	2200pF 50V K	1	
	C526	CK73HXR1H222K	C CAPACITOR	2200pF 50V K	1	
	C527	CK73JXR1A104K	C CAPACITOR	0.1uF 10V K	1	
	C528	CK73GXR1A106K	C CAPACITOR	10uF 10V K	1	
	C529	CK73HXR1C105K	C CAPACITOR	1uF 16V K	1	
	C530	CK73JXR1A104K	C CAPACITOR	0.1uF 10V K	1	
	C531	CK73GXR1A106K	C CAPACITOR	10uF 10V K	1	
	C532	CK73JXR1A104K	C CAPACITOR	0.1uF 10V K	1	
	C533	CK73GXR1A106K	C CAPACITOR	10uF 10V K	1	
	C534	CK73GXR1C225K	C CAPACITOR	2.2uF 16V K	1	
	C535	CK73JXR1A104K	C CAPACITOR	0.1uF 10V K	1	
	C536	CK73GXR1A106K	C CAPACITOR	10uF 10V K	1	
	C537	CK73JXR1A104K	C CAPACITOR	0.1uF 10V K	1	
	C538	CK73GXR1A106K	C CAPACITOR	10uF 10V K	1	
	C539	CK73JXR1A104K	C CAPACITOR	0.1uF 10V K	1	

MODEL	MARK
DNR876S	K1

Safe	Symbol No.	Parts No.	Parts Name	Description	QTY	Local
	C540	CK73GXR1A106K	C CAPACITOR	10uF 10V K	1	
	C541	CK73GXR1E225K	C CAPACITOR	2.2uF 25V K	1	
	C542	CK73JXR1A104K	C CAPACITOR	0.1uF 10V K	1	
	C543	CK73GXR1A106K	C CAPACITOR	10uF 10V K	1	
	C544	CK73HXR1A104K	C CAPACITOR	0.1uF 10V K	1	
	C545	CK73HXR1A104K	C CAPACITOR	0.1uF 10V K	1	
	C549	CC73HCH1H120J	C CAPACITOR	12pF 50V J	1	
	C550	CC73HCH1H120J	C CAPACITOR	12pF 50V J	1	
	C551	CK73GXR0J106K	C CAPACITOR	10uF 6.3V K	1	
	C552	CK73GXR1A106K	C CAPACITOR	10uF 10V K	1	
	C553	CK73JXR1A104K	C CAPACITOR	0.1uF 10V K	1	
	C554	CK73GXR0J106K	C CAPACITOR	10uF 6.3V K	1	
	C558	CK73HXR1H332K	C CAPACITOR	3300pF 50V K	1	
	C559	CK73HXR1H332K	C CAPACITOR	3300pF 50V K	1	
	C560	CK73HXR1H332K	C CAPACITOR	3300pF 50V K	1	
	C561	CK73HXR1H222K	C CAPACITOR	2200pF 50V K	1	
	C562	CK73HXR1H222K	C CAPACITOR	2200pF 50V K	1	
	C563	CK73HXR1H222K	C CAPACITOR	2200pF 50V K	1	
	C564	CK73HXR1H222K	C CAPACITOR	2200pF 50V K	1	
	C565	CK73HXR1H222K	C CAPACITOR	2200pF 50V K	1	
	C566	CK73HXR1H222K	C CAPACITOR	2200pF 50V K	1	
	C567	CK73HXR1H222K	C CAPACITOR	2200pF 50V K	1	
	C568	CK73HXR1H222K	C CAPACITOR	2200pF 50V K	1	
	C571	CK73GXR0J106K	C CAPACITOR	10uF 6.3V K	1	
	C572	CK73HXR1C105K	C CAPACITOR	1uF 16V K	1	
	C602	CK73HXR1C105K	C CAPACITOR	1uF 16V K	1	
	C603	CK73HXR1H102K	C CAPACITOR	1000pF 50V K	1	
	C605	CK73HXR1C105K	C CAPACITOR	1uF 16V K	1	
	C606	CK73HXR1C105K	C CAPACITOR	1uF 16V K	1	
	C607	CC73HCH1H220J	C CAPACITOR	22pF 50V J	1	
	C609	CC73HCH1H220J	C CAPACITOR	22pF 50V J	1	
	C611	CK73JXR1E104K	C CAPACITOR	0.1uF 25V K	1	
	C613	CK73EXR1A476K	C CAPACITOR	47uF 10V K	1	
	C615	CK73HXR1A683K	C CAPACITOR	0.068uF 10V K	1	
	C616	CK73HXR1A683K	C CAPACITOR	0.068uF 10V K	1	
	C617	CK730DT1C476K	C CAPACITOR	47uF 16V K	1	
	C621	CK73HXR1C105K	C CAPACITOR	1uF 16V K	1	
	C622	CK73HXR1C105K	C CAPACITOR	1uF 16V K	1	
	C623	CK73JXR1H103K	C CAPACITOR	0.01uF 50V K	1	
	C624	CK73GXR1A106K	C CAPACITOR	10uF 10V K	1	
	C625	CK73GXR1A106K	C CAPACITOR	10uF 10V K	1	
	C801	CK73JXR1H103K	C CAPACITOR	0.01uF 50V K	1	
	C802	CC73HCH1H470J	C CAPACITOR	47pF 50V J	1	
	C803	CC730BP1H1R8B	C CAPACITOR	1.8pF 50V B	1	
	C804	CK73HXR1C105K	C CAPACITOR	1uF 16V K	1	
	C805	CK73HXR1C105K	C CAPACITOR	1uF 16V K	1	
	C806	CK73HXR1C105K	C CAPACITOR	1uF 16V K	1	
	C807	CK73GXR1E225K	C CAPACITOR	2.2uF 25V K	1	
	C808	CK73HXR1C105K	C CAPACITOR	1uF 16V K	1	
	C809	CK73HXR1C105K	C CAPACITOR	1uF 16V K	1	
	C810	CC73HCH1H060D	C CAPACITOR	6pF 50V D	1	
	C811	CC73HCH1H070D	C CAPACITOR	7pF 50V D	1	
	C812	CC73JCH1H120J	C CAPACITOR	12pF 50V J	1	
	C813	CC73JCH1H120J	C CAPACITOR	12pF 50V J	1	
	C814	CK73HXR1C105K	C CAPACITOR	1uF 16V K	1	
	C815	CK73HXR1C105K	C CAPACITOR	1uF 16V K	1	
	C816	CK73HXR1C105K	C CAPACITOR	1uF 16V K	1	
	C817	CK73HXR1C105K	C CAPACITOR	1uF 16V K	1	
	C818	CK73HXR1C105K	C CAPACITOR	1uF 16V K	1	
	C819	CK73HXR1C105K	C CAPACITOR	1uF 16V K	1	
	C820	CK73HXR1C105K	C CAPACITOR	1uF 16V K	1	
	R1	RK73GB2A103J	MG RESISTOR	10kΩ 1/10W J	1	
	R2	RK73GB2A202J	MG RESISTOR	2kΩ 1/10W J	1	
	R3	RK73HB1J334J	MG RESISTOR	330kΩ 1/16W J	1	
	R7	RK73GB2A000J	MG RESISTOR	0Ω 1/10W J	1	
	R8	RK73HH1J223D	MG RESISTOR	22kΩ 1/16W D	1	
	R9	RK73HH1J184D	MG RESISTOR	180kΩ 1/16W D	1	
	R10	RK73HH1J393D	MG RESISTOR	39kΩ 1/16W D	1	
	R11	RK73HH1J392D	MG RESISTOR	3.9kΩ 1/16W D	1	
	R12	RK73HH1J104D	MG RESISTOR	100kΩ 1/16W D	1	
	R13	RK73HH1J563D	MG RESISTOR	56kΩ 1/16W D	1	
	R14	RK73HH1J753D	MG RESISTOR	75kΩ 1/16W D	1	
	R15	RK73HH1J561D	MG RESISTOR	560Ω 1/16W D	1	
	R31	RK73GB2A200J	MG RESISTOR	20Ω 1/10W J	1	
	R33	RK73HB1J333J	MG RESISTOR	33kΩ 1/16W J	1	
	R34	RK73HB1J000J	MG RESISTOR	0Ω 1/16W J	1	
	R35	RK73HB1J000J	MG RESISTOR	0Ω 1/16W J	1	
	R36	RK73HH1J393D	MG RESISTOR	39kΩ 1/16W D	1	
	R37	RK73HH1J222D	MG RESISTOR	2.2kΩ 1/16W D	1	
	R38	RK73HH1J752D	MG RESISTOR	7.5kΩ 1/16W D	1	
	R39	RK73HH1J221D	MG RESISTOR	220Ω 1/16W D	1	
	R40	RK73HB1J101J	MG RESISTOR	100Ω 1/16W J	1	
	R41	RK73HH1J100D	MG RESISTOR	10Ω 1/16W D	1	
	R43	RK73GB2A000J	MG RESISTOR	0Ω 1/10W J	1	
	R44	RK73GB2A000J	MG RESISTOR	0Ω 1/10W J	1	
	R45	RK73GB2A000J	MG RESISTOR	0Ω 1/10W J	1	
	R46	RK73GB2A000J	MG RESISTOR	0Ω 1/10W J	1	
	R47	RK73GB2A000J	MG RESISTOR	0Ω 1/10W J	1	
	R48	RK73GB2A000J	MG RESISTOR	0Ω 1/10W J	1	
	R71	RK73HB1J000J	MG RESISTOR	0Ω 1/16W J	1	
	R72	RK73HB1J000J	MG RESISTOR	0Ω 1/16W J	1	
	R75	RK73HB1J101J	MG RESISTOR	100Ω 1/16W J	1	

MODEL	MARK
DNR876S	K1

Safe	Symbol No.	Parts No.	Parts Name	Description	QTY	Local
R79		RK73HB1J000J	MG RESISTOR	0Ω 1/16W J	1	
R80		RK73GB2A331J	MG RESISTOR	330Ω 1/10W J	1	
R91		RK73GB2A200J	MG RESISTOR	20Ω 1/10W J	1	
R92		RK73HB1J473J	MG RESISTOR	47kΩ 1/16W J	1	
R94		RK73HB1J333J	MG RESISTOR	33kΩ 1/16W J	1	
R95		RK73HB1J000J	MG RESISTOR	0Ω 1/16W J	1	
R96		RK73HH1J100D	MG RESISTOR	10Ω 1/16W D	1	
R97		RK73HH1J393D	MG RESISTOR	39kΩ 1/16W D	1	
R98		RK73HH1J222D	MG RESISTOR	2.2kΩ 1/16W D	1	
R99		RK73HH1J752D	MG RESISTOR	7.5kΩ 1/16W D	1	
R100		RK73HB1J000J	MG RESISTOR	0Ω 1/16W J	1	
R101		RK73EB2E151J	MG RESISTOR	150Ω 1/4W J	1	
R102		RK73HB1J223J	MG RESISTOR	22kΩ 1/16W J	1	
R104		RK73HB1J101J	MG RESISTOR	100Ω 1/16W J	1	
R105		RK73HB1J272J	MG RESISTOR	2.7kΩ 1/16W J	1	
R106		RK73HB1J102J	MG RESISTOR	1kΩ 1/16W J	1	
R107		RK73HB1J000J	MG RESISTOR	0Ω 1/16W J	1	
R110		RZ73F0CH30LJ	RESISTOR	0.03Ω 1/3W J	1	
R111		RZ73F0CH30LJ	RESISTOR	0.03Ω 1/3W J	1	
R112		RK73HB1J100J	MG RESISTOR	10Ω 1/16W J	1	
R113		RK73HB1J100J	MG RESISTOR	10Ω 1/16W J	1	
R114		RK73HB1J101J	MG RESISTOR	100Ω 1/16W J	1	
R119		RK73HH1J102D	MG RESISTOR	1kΩ 1/16W D	1	
R120		RK73HH1J104D	MG RESISTOR	100kΩ 1/16W D	1	
R121		RK73HB1J224J	MG RESISTOR	220kΩ 1/16W J	1	
R122		RK73HB1J224J	MG RESISTOR	220kΩ 1/16W J	1	
R125		RK73HB1J223J	MG RESISTOR	22kΩ 1/16W J	1	
R126		RZ73F0CH30LJ	RESISTOR	0.03Ω 1/3W J	1	
R127		RZ73F0CH30LJ	RESISTOR	0.03Ω 1/3W J	1	
R131		RK73GB2A200J	MG RESISTOR	20Ω 1/10W J	1	
R132		RK73HB1J473J	MG RESISTOR	47kΩ 1/16W J	1	
R134		RK73HB1J333J	MG RESISTOR	33kΩ 1/16W J	1	
R135		RK73HB1J000J	MG RESISTOR	0Ω 1/16W J	1	
R136		RK73HH1J100D	MG RESISTOR	10Ω 1/16W D	1	
R137		RK73HH1J393D	MG RESISTOR	39kΩ 1/16W D	1	
R138		RK73HH1J222D	MG RESISTOR	2.2kΩ 1/16W D	1	
R139		RK73HH1J752D	MG RESISTOR	7.5kΩ 1/16W D	1	
R140		RK73HB1J000J	MG RESISTOR	0Ω 1/16W J	1	
R141		RK73EB2E151J	MG RESISTOR	150Ω 1/4W J	1	
R142		RK73HB1J223J	MG RESISTOR	22kΩ 1/16W J	1	
R144		RK73HB1J101J	MG RESISTOR	100Ω 1/16W J	1	
R145		RK73HB1J272J	MG RESISTOR	2.7kΩ 1/16W J	1	
R146		RK73HB1J102J	MG RESISTOR	1kΩ 1/16W J	1	
R147		RK73HB1J000J	MG RESISTOR	0Ω 1/16W J	1	
R150		RZ73F0CH30LJ	RESISTOR	0.03Ω 1/3W J	1	
R151		RZ73F0CH30LJ	RESISTOR	0.03Ω 1/3W J	1	
R152		RK73HB1J100J	MG RESISTOR	10Ω 1/16W J	1	
R153		RK73HB1J100J	MG RESISTOR	10Ω 1/16W J	1	
R154		RK73HB1J101J	MG RESISTOR	100Ω 1/16W J	1	
R159		RK73HH1J102D	MG RESISTOR	1kΩ 1/16W D	1	
R160		RK73HH1J104D	MG RESISTOR	100kΩ 1/16W D	1	
R161		RK73HB1J224J	MG RESISTOR	220kΩ 1/16W J	1	
R162		RK73HB1J224J	MG RESISTOR	220kΩ 1/16W J	1	
R165		RK73HB1J223J	MG RESISTOR	22kΩ 1/16W J	1	
R166		RZ73F0CH30LJ	RESISTOR	0.03Ω 1/3W J	1	
R167		RZ73F0CH30LJ	RESISTOR	0.03Ω 1/3W J	1	
R181		RK73HB1J101J	MG RESISTOR	100Ω 1/16W J	1	
R182		RK73HB1J101J	MG RESISTOR	100Ω 1/16W J	1	
R183		RK73HB1J101J	MG RESISTOR	100Ω 1/16W J	1	
R184		RK73HB1J100J	MG RESISTOR	10Ω 1/16W J	1	
R185		RK73HB1J101J	MG RESISTOR	100Ω 1/16W J	1	
R186		RK73HB1J101J	MG RESISTOR	100Ω 1/16W J	1	
R187		RK73HB1J000J	MG RESISTOR	0Ω 1/16W J	1	
R188		RK73HB1J000J	MG RESISTOR	0Ω 1/16W J	1	
R209		RK73GB2A101J	MG RESISTOR	100Ω 1/10W J	1	
R210		RK73GB2A101J	MG RESISTOR	100Ω 1/10W J	1	
R211		RK73HB1J473J	MG RESISTOR	47kΩ 1/16W J	1	
R213		RK73HB1J101J	MG RESISTOR	100Ω 1/16W J	1	
R214		RK73HB1J223J	MG RESISTOR	22kΩ 1/16W J	1	
R231		RK73GB2A000J	MG RESISTOR	0Ω 1/10W J	1	
R232		RK73HB1J100J	MG RESISTOR	10Ω 1/16W J	1	
R233		RK73HB1J100J	MG RESISTOR	10Ω 1/16W J	1	
R238		RK73HB1J000J	MG RESISTOR	0Ω 1/16W J	1	
R239		RK73HH1J391D	MG RESISTOR	390Ω 1/16W D	1	
R240		RK73HB1J000J	MG RESISTOR	0Ω 1/16W J	1	
R241		RK73HB1J220J	MG RESISTOR	22Ω 1/16W J	1	
R242		RK73HB1J220J	MG RESISTOR	22Ω 1/16W J	1	
R243		RK73HH1J683D	MG RESISTOR	68kΩ 1/16W D	1	
R244		RK73HH1J683D	MG RESISTOR	68kΩ 1/16W D	1	
R246		RK73HB1J000J	MG RESISTOR	0Ω 1/16W J	1	
R247		RK73HB1J000J	MG RESISTOR	0Ω 1/16W J	1	
R251		RK73HB1J101J	MG RESISTOR	100Ω 1/16W J	1	
R252		RK73HB1J101J	MG RESISTOR	100Ω 1/16W J	1	
R253		RK73GB2A000J	MG RESISTOR	0Ω 1/10W J	1	
R261		RK73GB2A000J	MG RESISTOR	0Ω 1/10W J	1	
R262		RK73HB1J4R7J	MG RESISTOR	4.7Ω 1/16W J	1	
R263		RK73HB1J223J	MG RESISTOR	22kΩ 1/16W J	1	
R264		RK73HB1J223J	MG RESISTOR	22kΩ 1/16W J	1	
R265		RK73HB1J100J	MG RESISTOR	10Ω 1/16W J	1	
R266		RK73HB1J100J	MG RESISTOR	10Ω 1/16W J	1	
R267		RK73HH1J183D	MG RESISTOR	18kΩ 1/16W D	1	
R268		RK73HH1J183D	MG RESISTOR	18kΩ 1/16W D	1	

MODEL	MARK
DNR876S	K1

Safe	Symbol No.	Parts No.	Parts Name	Description	QTY	Local
R269		RK73HH1J183D	MG RESISTOR	18kΩ 1/16W D	1	
R270		RK73HH1J183D	MG RESISTOR	18kΩ 1/16W D	1	
R271		RK73HH1J752D	MG RESISTOR	7.5kΩ 1/16W D	1	
R272		RK73HH1J752D	MG RESISTOR	7.5kΩ 1/16W D	1	
R273		RK73HH1J123D	MG RESISTOR	12kΩ 1/16W D	1	
R274		RK73HH1J123D	MG RESISTOR	12kΩ 1/16W D	1	
R275		RK73HH1J752D	MG RESISTOR	7.5kΩ 1/16W D	1	
R276		RK73HH1J752D	MG RESISTOR	7.5kΩ 1/16W D	1	
R277		RK73HH1J123D	MG RESISTOR	12kΩ 1/16W D	1	
R278		RK73HH1J123D	MG RESISTOR	12kΩ 1/16W D	1	
R279		RK73HB1J103J	MG RESISTOR	10kΩ 1/16W J	1	
R280		RK73HB1J393J	MG RESISTOR	39kΩ 1/16W J	1	
R281		RK73HB1J100J	MG RESISTOR	10Ω 1/16W J	1	
R282		RK73HB1J100J	MG RESISTOR	10Ω 1/16W J	1	
R283		RK73GB2A000J	MG RESISTOR	0Ω 1/10W J	1	
R284		RK73HB1J303J	MG RESISTOR	30kΩ 1/16W J	1	
R285		RK73HB1J303J	MG RESISTOR	30kΩ 1/16W J	1	
R286		RK73HH1J750D	MG RESISTOR	75Ω 1/16W D	1	
R288		RK73HB1J750J	MG RESISTOR	75Ω 1/16W J	1	
R301		RK73HB1J102J	MG RESISTOR	1kΩ 1/16W J	1	
R302		RK73HB1J101J	MG RESISTOR	100Ω 1/16W J	1	
R303		RK73HB1J223J	MG RESISTOR	22kΩ 1/16W J	1	
R304		RK73HB1J101J	MG RESISTOR	100Ω 1/16W J	1	
R305		RK73HB1J101J	MG RESISTOR	100Ω 1/16W J	1	
R306		RK73HB1J101J	MG RESISTOR	100Ω 1/16W J	1	
R307		RK73HB1J101J	MG RESISTOR	100Ω 1/16W J	1	
R310		RK73HB1J152J	MG RESISTOR	1.5kΩ 1/16W J	1	
R311		RK73HB1J101J	MG RESISTOR	100Ω 1/16W J	1	
R312		RK73HB1J473J	MG RESISTOR	47kΩ 1/16W J	1	
R313		RK73HB1J101J	MG RESISTOR	100Ω 1/16W J	1	
R314		RK73HB1J473J	MG RESISTOR	47kΩ 1/16W J	1	
R315		RK73HB1J101J	MG RESISTOR	100Ω 1/16W J	1	
R316		RK73HB1J473J	MG RESISTOR	47kΩ 1/16W J	1	
R317		RK73HB1J272J	MG RESISTOR	2.7kΩ 1/16W J	1	
R318		RK73HB1J104J	MG RESISTOR	100kΩ 1/16W J	1	
R319		RK73HB1J104J	MG RESISTOR	100kΩ 1/16W J	1	
R320		RK73HB1J473J	MG RESISTOR	47kΩ 1/16W J	1	
R321		RK73HB1J101J	MG RESISTOR	100Ω 1/16W J	1	
R322		RK73HB1J103J	MG RESISTOR	10kΩ 1/16W J	1	
R323		RK73HB1J101J	MG RESISTOR	100Ω 1/16W J	1	
R324		RK73HB1J101J	MG RESISTOR	100Ω 1/16W J	1	
R325		RK73HB1J101J	MG RESISTOR	100Ω 1/16W J	1	
R326		RK73HB1J101J	MG RESISTOR	100Ω 1/16W J	1	
R327		RK73HB1J473J	MG RESISTOR	47kΩ 1/16W J	1	
R328		RK73HB1J101J	MG RESISTOR	100Ω 1/16W J	1	
R329		RK73HB1J473J	MG RESISTOR	47kΩ 1/16W J	1	
R331		RK73HB1J101J	MG RESISTOR	100Ω 1/16W J	1	
R332		RK73HB1J473J	MG RESISTOR	47kΩ 1/16W J	1	
R333		RK73HB1J101J	MG RESISTOR	100Ω 1/16W J	1	
R334		RK73HB1J101J	MG RESISTOR	100Ω 1/16W J	1	
R335		RK73HB1J223J	MG RESISTOR	22kΩ 1/16W J	1	
R336		RK73HB1J101J	MG RESISTOR	100Ω 1/16W J	1	
R337		RK73HB1J101J	MG RESISTOR	100Ω 1/16W J	1	
R338		RK73HB1J101J	MG RESISTOR	100Ω 1/16W J	1	
R339		RK73HB1J101J	MG RESISTOR	100Ω 1/16W J	1	
R340		RK73HB1J102J	MG RESISTOR	1kΩ 1/16W J	1	
R341		RK73HB1J223J	MG RESISTOR	22kΩ 1/16W J	1	
R342		RK73HB1J101J	MG RESISTOR	100Ω 1/16W J	1	
R343		RK73HB1J101J	MG RESISTOR	100Ω 1/16W J	1	
R344		RK73HB1J102J	MG RESISTOR	1kΩ 1/16W J	1	
R345		RK73HB1J223J	MG RESISTOR	22kΩ 1/16W J	1	
R346		RK73HB1J101J	MG RESISTOR	100Ω 1/16W J	1	
R347		RK73HB1J102J	MG RESISTOR	1kΩ 1/16W J	1	
R348		RK73HB1J223J	MG RESISTOR	22kΩ 1/16W J	1	
R349		RK73HB1J101J	MG RESISTOR	100Ω 1/16W J	1	
R350		RK73HB1J223J	MG RESISTOR	22kΩ 1/16W J	1	
R351		RK73HB1J222J	MG RESISTOR	2.2kΩ 1/16W J	1	
R352		RK73HB1J222J	MG RESISTOR	2.2kΩ 1/16W J	1	
R353		RK73HB1J102J	MG RESISTOR	1kΩ 1/16W J	1	
R354		RK73HB1J101J	MG RESISTOR	100Ω 1/16W J	1	
R355		RK73HB1J102J	MG RESISTOR	1kΩ 1/16W J	1	
R356		RK73HB1J101J	MG RESISTOR	100Ω 1/16W J	1	
R357		RK73HB1J101J	MG RESISTOR	100Ω 1/16W J	1	
R358		RK73HB1J101J	MG RESISTOR	100Ω 1/16W J	1	
R359		RK73HB1J103J	MG RESISTOR	10kΩ 1/16W J	1	
R360		RK73HB1J473J	MG RESISTOR	47kΩ 1/16W J	1	
R361		RK73HB1J000J	MG RESISTOR	0Ω 1/16W J	1	
R362		RK73HB1J103J	MG RESISTOR	10kΩ 1/16W J	1	
R363		RK73HB1J103J	MG RESISTOR	10kΩ 1/16W J	1	
R364		RK73HB1J000J	MG RESISTOR	0Ω 1/16W J	1	
R365		RK73HB1J000J	MG RESISTOR	0Ω 1/16W J	1	
R366		RK73HB1J473J	MG RESISTOR	47kΩ 1/16W J	1	
R367		RK73HB1J101J	MG RESISTOR	100Ω 1/16W J	1	
R368		RK73HB1J101J	MG RESISTOR	100Ω 1/16W J	1	
R369		RK73HB1J101J	MG RESISTOR	100Ω 1/16W J	1	
R370		RK73HB1J101J	MG RESISTOR	100Ω 1/16W J	1	
R371		RK73HB1J101J	MG RESISTOR	100Ω 1/16W J	1	
R372		RK73HB1J101J	MG RESISTOR	100Ω 1/16W J	1	
R373		RK73HB1J103J	MG RESISTOR	10kΩ 1/16W J	1	
R374		RK73HB1J103J	MG RESISTOR	10kΩ 1/16W J	1	
R375		RK73HB1J224J	MG RESISTOR	220kΩ 1/16W J	1	
R376		RK73HB1J471J	MG RESISTOR	470Ω 1/16W J	1	
R377		RK73HB1J823J	MG RESISTOR	82kΩ 1/16W J	1	

MODEL	MARK
DNR876S	K1

Safe	Symbol No.	Parts No.	Parts Name	Description	QTY	Local
	R378	RK73HB1J103J	MG RESISTOR	10kΩ 1/16W J	1	
	R379	RK73HB1J124J	MG RESISTOR	120kΩ 1/16W J	1	
	R380	RK73HB1J472J	MG RESISTOR	4.7kΩ 1/16W J	1	
	R381	RK73HB1J101J	MG RESISTOR	100Ω 1/16W J	1	
	R382	RK73HB1J101J	MG RESISTOR	100Ω 1/16W J	1	
	R383	RK73HB1J104J	MG RESISTOR	100kΩ 1/16W J	1	
	R386	RK73HB1J000J	MG RESISTOR	0Ω 1/16W J	1	
	R389	RK73HB1J473J	MG RESISTOR	47kΩ 1/16W J	1	
	R391	RK73HB1J101J	MG RESISTOR	100Ω 1/16W J	1	
	R392	RK73HB1J101J	MG RESISTOR	100Ω 1/16W J	1	
	R393	RK73HB1J473J	MG RESISTOR	47kΩ 1/16W J	1	
	R394	RK73HB1J103J	MG RESISTOR	10kΩ 1/16W J	1	
	R395	RK73HB1J102J	MG RESISTOR	1kΩ 1/16W J	1	
	R396	RK73HB1J473J	MG RESISTOR	47kΩ 1/16W J	1	
	R397	RK73HB1J473J	MG RESISTOR	47kΩ 1/16W J	1	
	R398	RK73HB1J473J	MG RESISTOR	47kΩ 1/16W J	1	
	R401	RK73GB2A101J	MG RESISTOR	100Ω 1/10W J	1	
	R402	RK73GB2A220J	MG RESISTOR	22Ω 1/10W J	1	
	R403	RK73HB1J473J	MG RESISTOR	47kΩ 1/16W J	1	
	R404	RK73HB1J101J	MG RESISTOR	100Ω 1/16W J	1	
	R405	RK73HB1J101J	MG RESISTOR	100Ω 1/16W J	1	
	R406	RK73HB1J101J	MG RESISTOR	100Ω 1/16W J	1	
	R413	RK73GH2A472D	MG RESISTOR	4.7kΩ 1/10W D	1	
	R414	RK73GH2A472D	MG RESISTOR	4.7kΩ 1/10W D	1	
	R417	RK73HB1J152J	MG RESISTOR	1.5kΩ 1/16W J	1	
	R418	RK73HB1J152J	MG RESISTOR	1.5kΩ 1/16W J	1	
	R419	RK73HB1J681J	MG RESISTOR	680Ω 1/16W J	1	
	R420	RK73HB1J681J	MG RESISTOR	680Ω 1/16W J	1	
	R501	RK73HB1J100J	MG RESISTOR	10Ω 1/16W J	1	
	R503	RK73HB1J223J	MG RESISTOR	22kΩ 1/16W J	1	
	R504	RK73HB1J223J	MG RESISTOR	22kΩ 1/16W J	1	
	R506	RK73HB1J223J	MG RESISTOR	22kΩ 1/16W J	1	
	R507	RK73HB1J223J	MG RESISTOR	22kΩ 1/16W J	1	
	R508	RK73HB1J103J	MG RESISTOR	10kΩ 1/16W J	1	
	R509	RK73HB1J103J	MG RESISTOR	10kΩ 1/16W J	1	
	R510	RK73HB1J203J	MG RESISTOR	20kΩ 1/16W J	1	
	R511	RK73HB1J203J	MG RESISTOR	20kΩ 1/16W J	1	
	R512	RK73HB1J203J	MG RESISTOR	20kΩ 1/16W J	1	
	R513	RK73HB1J203J	MG RESISTOR	20kΩ 1/16W J	1	
	R514	RK73HB1J103J	MG RESISTOR	10kΩ 1/16W J	1	
	R515	RK73HB1J103J	MG RESISTOR	10kΩ 1/16W J	1	
	R516	RK73HB1J203J	MG RESISTOR	20kΩ 1/16W J	1	
	R517	RK73HB1J203J	MG RESISTOR	20kΩ 1/16W J	1	
	R518	RK73HB1J221J	MG RESISTOR	220Ω 1/16W J	1	
	R519	RK73HB1J221J	MG RESISTOR	220Ω 1/16W J	1	
	R520	RK73HB1J000J	MG RESISTOR	0Ω 1/16W J	1	
	R521	RK73HB1J221J	MG RESISTOR	220Ω 1/16W J	1	
	R522	RK73HB1J221J	MG RESISTOR	220Ω 1/16W J	1	
	R523	RK73HB1J000J	MG RESISTOR	0Ω 1/16W J	1	
	R524	RK73HB1J000J	MG RESISTOR	0Ω 1/16W J	1	
	R525	RK73HB1J203J	MG RESISTOR	20kΩ 1/16W J	1	
	R526	RK73HB1J203J	MG RESISTOR	20kΩ 1/16W J	1	
	R527	RK73HB1J000J	MG RESISTOR	0Ω 1/16W J	1	
	R528	RK73HB1J000J	MG RESISTOR	0Ω 1/16W J	1	
	R529	RK73GB2A2R2J	MG RESISTOR	2.2Ω 1/10W J	1	
	R530	RK73HB1J101J	MG RESISTOR	100Ω 1/16W J	1	
	R531	RK73HB1J101J	MG RESISTOR	100Ω 1/16W J	1	
	R532	RK73HB1J101J	MG RESISTOR	100Ω 1/16W J	1	
	R533	RK73HB1J000J	MG RESISTOR	0Ω 1/16W J	1	
	R534	RK73HB1J100J	MG RESISTOR	10Ω 1/16W J	1	
	R535	RK73HB1J100J	MG RESISTOR	10Ω 1/16W J	1	
	R536	RK73HB1J100J	MG RESISTOR	10Ω 1/16W J	1	
	R537	RK73GB2A100J	MG RESISTOR	10Ω 1/10W J	1	
	R538	RK73GB2A2R2J	MG RESISTOR	2.2Ω 1/10W J	1	
	R539	RK73HB1J221J	MG RESISTOR	220Ω 1/16W J	1	
	R540	RK73HB1J221J	MG RESISTOR	220Ω 1/16W J	1	
	R541	RK73HB1J221J	MG RESISTOR	220Ω 1/16W J	1	
	R542	RK73HB1J221J	MG RESISTOR	220Ω 1/16W J	1	
	R543	RK73HB1J000J	MG RESISTOR	0Ω 1/16W J	1	
	R544	RK73HB1J000J	MG RESISTOR	0Ω 1/16W J	1	
	R545	RK73HB1J101J	MG RESISTOR	100Ω 1/16W J	1	
	R546	RK73HB1J101J	MG RESISTOR	100Ω 1/16W J	1	
	R547	RK73HB1J000J	MG RESISTOR	0Ω 1/16W J	1	
	R550	RK73HB1J472J	MG RESISTOR	4.7kΩ 1/16W J	1	
	R551	RK73HB1J222J	MG RESISTOR	2.2kΩ 1/16W J	1	
	R552	RK73HB1J101J	MG RESISTOR	100Ω 1/16W J	1	
	R553	RK73HB1J101J	MG RESISTOR	100Ω 1/16W J	1	
	R554	RK73HB1J101J	MG RESISTOR	100Ω 1/16W J	1	
	R555	RK73HB1J101J	MG RESISTOR	100Ω 1/16W J	1	
	R556	RK73HB1J101J	MG RESISTOR	100Ω 1/16W J	1	
	R558	RK73HB1J000J	MG RESISTOR	0Ω 1/16W J	1	
	R559	RK73HB1J101J	MG RESISTOR	100Ω 1/16W J	1	
	R560	RK73HB1J101J	MG RESISTOR	100Ω 1/16W J	1	
	R561	RK73HB1J101J	MG RESISTOR	100Ω 1/16W J	1	
	R562	RK73HB1J000J	MG RESISTOR	0Ω 1/16W J	1	
	R563	RK73HB1J000J	MG RESISTOR	0Ω 1/16W J	1	
	R564	RK73HB1J000J	MG RESISTOR	0Ω 1/16W J	1	
	R565	RK73HB1J101J	MG RESISTOR	100Ω 1/16W J	1	
	R566	RK73HB1J100J	MG RESISTOR	10Ω 1/16W J	1	
	R567	RK73HB1J100J	MG RESISTOR	10Ω 1/16W J	1	
	R568	RK73HB1J181J	MG RESISTOR	180Ω 1/16W J	1	
	R569	RK73HB1J223J	MG RESISTOR	22kΩ 1/16W J	1	

MODEL	MARK
DNR876S	K1

Safe	Symbol No.	Parts No.	Parts Name	Description	QTY	Local
	R570	RK73HB1J100J	MG RESISTOR	10Ω 1/16W J	1	
	R572	RK73HB1J000J	MG RESISTOR	0Ω 1/16W J	1	
	R574	RK73HB1J100J	MG RESISTOR	10Ω 1/16W J	1	
	R575	RK73HB1J100J	MG RESISTOR	10Ω 1/16W J	1	
	R576	RK73HB1J000J	MG RESISTOR	0Ω 1/16W J	1	
	R577	RK73HB1J100J	MG RESISTOR	10Ω 1/16W J	1	
	R578	RK73GB2A2R2J	MG RESISTOR	2.2Ω 1/10W J	1	
	R579	RK73GB2A2R2J	MG RESISTOR	2.2Ω 1/10W J	1	
	R581	RK73HB1J101J	MG RESISTOR	100Ω 1/16W J	1	
	R582	RK73HB1J000J	MG RESISTOR	0Ω 1/16W J	1	
	R583	RK73HB1J000J	MG RESISTOR	0Ω 1/16W J	1	
	R584	RK73HB1J000J	MG RESISTOR	0Ω 1/16W J	1	
	R585	RK73GB2A000J	MG RESISTOR	0Ω 1/10W J	1	
	R586	RK73GB2A000J	MG RESISTOR	0Ω 1/10W J	1	
	R587	RK73HB1J392J	MG RESISTOR	3.9kΩ 1/16W J	1	
	R588	RK73HH1J221D	MG RESISTOR	220Ω 1/16W D	1	
	R589	RK73HH1J221D	MG RESISTOR	220Ω 1/16W D	1	
	R590	RK73HH1J221D	MG RESISTOR	220Ω 1/16W D	1	
	R591	RK73HH1J221D	MG RESISTOR	220Ω 1/16W D	1	
	R592	RK73HH1J221D	MG RESISTOR	220Ω 1/16W D	1	
	R593	RK73HH1J221D	MG RESISTOR	220Ω 1/16W D	1	
	R594	RK73HH1J221D	MG RESISTOR	220Ω 1/16W D	1	
	R595	RK73HH1J221D	MG RESISTOR	220Ω 1/16W D	1	
	R596	RK73HB1J223J	MG RESISTOR	22kΩ 1/16W J	1	
	R597	RK73HB1J101J	MG RESISTOR	100Ω 1/16W J	1	
	R598	RK73HB1J101J	MG RESISTOR	100Ω 1/16W J	1	
	R599	RK73GB2A000J	MG RESISTOR	0Ω 1/10W J	1	
	R600	RK73GB2A000J	MG RESISTOR	0Ω 1/10W J	1	
	R604	RK73HB1J000J	MG RESISTOR	0Ω 1/16W J	1	
	R609	RK73HB1J203J	MG RESISTOR	20kΩ 1/16W J	1	
	R610	RK73HB1J203J	MG RESISTOR	20kΩ 1/16W J	1	
	R612	RK73HB1J304J	MG RESISTOR	300kΩ 1/16W J	1	
	R614	RK73HB1J304J	MG RESISTOR	300kΩ 1/16W J	1	
	R615	RK73GB2A000J	MG RESISTOR	0Ω 1/10W J	1	
	R616	RK73HB1J223J	MG RESISTOR	22kΩ 1/16W J	1	
	R617	RK73HB1J223J	MG RESISTOR	22kΩ 1/16W J	1	
	R618	RK73HB1J333J	MG RESISTOR	33kΩ 1/16W J	1	
	R620	RK73HB1J123J	MG RESISTOR	12kΩ 1/16W J	1	
	R622	RK73GB2A2R2J	MG RESISTOR	2.2Ω 1/10W J	1	
	R624	RK73HB1J752J	MG RESISTOR	7.5kΩ 1/16W J	1	
	R625	RK73HB1J101J	MG RESISTOR	100Ω 1/16W J	1	
	R638	RK73HB1J000J	MG RESISTOR	0Ω 1/16W J	1	
	R801	RK73HB1J000J	MG RESISTOR	0Ω 1/16W J	1	
	R802	RK73HB1J000J	MG RESISTOR	0Ω 1/16W J	1	
	R803	RK73HB1J000J	MG RESISTOR	0Ω 1/16W J	1	
	R805	RK73HB1J220J	MG RESISTOR	22Ω 1/16W J	1	
	R806	RK73HB1J220J	MG RESISTOR	22Ω 1/16W J	1	
	R807	RK73HB1J000J	MG RESISTOR	0Ω 1/16W J	1	
	R808	RK73HB1J000J	MG RESISTOR	0Ω 1/16W J	1	
	R811	RK73PB2H100J	MG RESISTOR	10Ω 1/2W J	1	
	R812	RK73HB1J151J	MG RESISTOR	150Ω 1/16W J	1	
	R813	RK73HB1J103J	MG RESISTOR	10kΩ 1/16W J	1	
	R814	RK73HB1J102J	MG RESISTOR	1kΩ 1/16W J	1	
	R815	RK73HB1J000J	MG RESISTOR	0Ω 1/16W J	1	
	R816	RK73HB1J101J	MG RESISTOR	100Ω 1/16W J	1	
	R817	RK73HB1J102J	MG RESISTOR	1kΩ 1/16W J	1	
	R818	RK73HB1J223J	MG RESISTOR	22kΩ 1/16W J	1	
	R820	RK73GB2A000J	MG RESISTOR	0Ω 1/10W J	1	
	RA261	RK74GB1J301J	MG RESISTOR	300Ω 1/16W J	1	
	RA281	RK74GB1J301J	MG RESISTOR	300Ω 1/16W J	1	
	RA282	RK74GB1J301J	MG RESISTOR	300Ω 1/16W J	1	
	L32	LR79Z0DY100M	CHIP INDUCTOR		1	
	L92	LR79Z0DY100M	CHIP INDUCTOR		1	
	L132	LR79Z0DY100M	CHIP INDUCTOR		1	
	L231	LR73Z0AC100K	CHIP INDUCTOR		1	
	L301	LB73G0FK-001	CHIP FERRITE		1	
	L801	LK73H0AM27NJ	M.CHIP INDUCTOR	27nH	1	
	L802	LR79H0HU7N5G	CHIP INDUCTOR		1	
	L803	LB73H0DZ-001	CHIP FERRITE		1	
	CN1	EA120AP-2004A	W TO B CONNE		1	
	CN71	EA710AT-1004A	W TO B CONNE		1	
	CN121	EA110AP-2004A	W TO B CONNE		1	
	CN181	EC710AM-0515A	FFC FPC CONNE		1	
	CN201	EA120CK-2004A	W TO B CONNE		1	
	CN281	EA110AP-2004A	W TO B CONNE		1	
	CN301	EA720AT-1008A	W TO B CONNE		1	
	CN303	EC720AA-0510A	FFC FPC CONNE		1	
	CN401	EA120CE-2503A	W TO B CONNE		1	
	CN601	EB770AX-05C0A	B TO B CONNE		1	
	CN602	EC720AA-0550A	FFC FPC CONNE		1	
	CN603	EC720AA-0560A	FFC FPC CONNE		1	
△	F1	FZA10BZ-7R0	FUSE (CC)		1	
△	F201	F53-0513-08	PATTERN FUSE	4A	1	
△	F202	F53-0513-08	PATTERN FUSE	4A	1	
△	F261	F53-0513-08	PATTERN FUSE	4A	1	
△	F281	F53-0513-08	PATTERN FUSE	4A	1	
△	F401	F53-0513-08	PATTERN FUSE	4A	1	
△	F411	F53-0513-08	PATTERN FUSE	4A	1	
	FL801	L7K-0072-00	FILTER		1	
	J181	E2K-0065-00	SD CARD CONNE		1	
	J261	E1B-0042-00	3.5D PHONE JACK		1	
	J601	E1B-0041-00	3.5D PHONE JACK		1	
	J801	E5J-0023-00	R.RECEPTACLE		1	

MODEL	MARK
DNR876S	K1

Safe	Symbol No.	Parts No.	Parts Name	Description	QTY	Local
	VA204	SDV1005A14//0	VARISTOR		1	
	VA205	SDV1005A14//0	VARISTOR		1	
	VA261	SDV1005E18//1	VARISTOR		1	
	VA262	SDV1005E18//1	VARISTOR		1	
	VA263	SDV1005A14//0	VARISTOR		1	
	VA264	SDV1005A14//0	VARISTOR		1	
	VA281	SDV1005E18//1	VARISTOR		1	
	VA282	SDV1005E18//1	VARISTOR		1	
	VA283	SDV1005E18//1	VARISTOR		1	
	VA401	SDV1005A14//0	VARISTOR		1	
	VA402	SDV1005A14//0	VARISTOR		1	
	VA802	F0K-0040-00	SURGE ABSORBER		1	
	X301	L7J-0099-00	QUARTZ CRYSTAL		1	
	X501	L7J-0026-00	QUARTZ CRYSTAL		1	
	X801	L7H-0098-00	TCXO		1	
	X802	L7J-0095-00	QUARTZ CRYSTAL		1	
GYRO PWB ASSY(XJ5-005K-00) <XJ5>						
	C1	CK73JXR1A104K	C CAPACITOR	0.1uF 10V K	1	
	C2	CK73JXR1A104K	C CAPACITOR	0.1uF 10V K	1	
	R1	RK73HB1J181J	MG RESISTOR	180Ω 1/16W J	1	
	R2	RK73HB1J181J	MG RESISTOR	180Ω 1/16W J	1	
	R3	RK73HB1J101J	MG RESISTOR	100Ω 1/16W J	1	
	R4	RK73HB1J181J	MG RESISTOR	180Ω 1/16W J	1	
	R5	RK73HB1J181J	MG RESISTOR	180Ω 1/16W J	1	
	R6	RK73HB1J101J	MG RESISTOR	100Ω 1/16W J	1	
	R7	RK73HB1J000J	MG RESISTOR	0Ω 1/16W J	1	
	CN1	EC720AA-0510A	FFC FPC CONNE		1	
	SN1	-----	SENSOR	NO SERVICE PART	1	
AUDIO PWB ASSY(XJ6-136K-01) <XJ6>						
	IC1	LV5680NPVC-H	MOS IC		1	
	IC31	NJU7108F3	MOS IC		1	
	IC41	XC6223B331P-G	ANALOG IC		1	
	IC101	JCV8031	ANALOG IC		1	
	IC115	TC7SH17FUJC	MOS IC		1	
	IC201	TDA7715LV	ANALOG IC		1	
	IC202	NJM4580CV	ANALOG IC		1	
	IC203	NJM4580CV	ANALOG IC		1	
	IC260	NJM2123V-ZB	ANALOG IC		1	
	IC301	XC6223B331P-G	ANALOG IC		1	
	IC302	SDP2012AHNV25	MOS IC	QFN	1	
	IC511	TC7SET32FUJC	MOS IC		1	
	IC512	TC7SH17FUJC	MOS IC		1	
	IC601	NJW1240V	MOS IC		1	
	IC781	DRV8837CDSG	ANALOG IC		1	
	IC790	BD00C0AWFP	MOS IC		1	
	IC851	NJM2903CV	MOS IC		1	
	IC852	TC7SH126FUJC	MOS IC		1	
	IC853	TC7SH125FUJC	MOS IC		1	
	Q11	2SB1689	TRANSISTOR		1	
	Q12	LTC014YEBFS8	DIGI TRANSISTOR		1	
	Q51	LSCR523EBFS8	TRANSISTOR		1	
	Q60	LSAR523EBFS8	TRANSISTOR		1	
	Q61	LSCR523EBFS8	TRANSISTOR		1	
	Q62	LSAR523EBFS8	TRANSISTOR		1	
	Q63	LSCR523EBFS8	TRANSISTOR		1	
	Q80	LTA014YEBFS8	DIGI TRANSISTOR		1	
	Q81	LSAR523EBFS8	TRANSISTOR		1	
	Q82	LSCR523EBFS8	TRANSISTOR		1	
	Q90	LTC024EBSFS8	DIGI TRANSISTOR		1	
	Q96	LSCR523EBFS8	TRANSISTOR		1	
	Q151	LTC014YEBFS8	DIGI TRANSISTOR		1	
	Q152	LTA043ZEBFS8	DIGI TRANSISTOR		1	
	Q155	LTC014YEBFS8	DIGI TRANSISTOR		1	
	Q156	LTA043ZEBFS8	DIGI TRANSISTOR		1	
	Q161	LTC043TEBFS8	DIGI TRANSISTOR		1	
	Q162	LTC043TEBFS8	DIGI TRANSISTOR		1	
	Q163	LTC043TEBFS8	DIGI TRANSISTOR		1	
	Q164	LTC043TEBFS8	DIGI TRANSISTOR		1	
	Q165	LTC043TEBFS8	DIGI TRANSISTOR		1	
	Q166	LTC043TEBFS8	DIGI TRANSISTOR		1	
	Q191	LTA043ZEBFS8	DIGI TRANSISTOR		1	
	Q193	LTC043TEBFS8	DIGI TRANSISTOR		1	
	Q194	LTC043TEBFS8	DIGI TRANSISTOR		1	
	Q781	LTC014YEBFS8	DIGI TRANSISTOR		1	
	Q782	LTC014YEBFS8	DIGI TRANSISTOR		1	
	D1	1N5402-BPC07	DIODE		1	
	D11	RB161MM-20	SCHOTTKY DIODE		1	
	D32	UDZV16B	ZENER DIODE		1	
	D41	GS1J-LTP	DIODE		1	
	D42	GS1J-LTP	DIODE		1	
	D43	GS1J-LTP	DIODE		1	
	D44	GS1J-LTP	DIODE		1	
	D55	UDZV6.2B	ZENER DIODE		1	
	D60	1SS355VM	DIODE		1	
	D61	1SS355VM	DIODE		1	
	D71	DAP202UM	DIODE		1	
	D80	1SS355VM	DIODE		1	
	D90	1SS355VM	DIODE		1	
	D96	UDZV16B	ZENER DIODE		1	
	D101	DAP202UM	DIODE		1	
	D151	DAP202UM	DIODE		1	

MODEL	MARK
DNR876S	K1

Safe	Symbol No.	Parts No.	Parts Name	Description	QTY	Local
	D155	DAP202UM	DIODE		1	
	D191	DAP202UM	DIODE		1	
	D202	1SS355VM	DIODE		1	
	D203	DAP202UM	DIODE		1	
	D204	DAP202UM	DIODE		1	
	D205	DAP202UM	DIODE		1	
	D301	GS1J-LTP	DIODE		1	
	D791	GS1J-LTP	DIODE		1	
	C1	CD04AZ1C332M2	E CAPACITOR	3300uF 16V M	1	
	C11	CE32CB1V101M	E CAPACITOR	100uF 35V M	1	
	C12	CK73JXR1H103K	C CAPACITOR	0.01uF 50V K	1	
	C13	CE32CB1C470M	E CAPACITOR	47uF 16V M	1	
	C14	CE32CB1C470M	E CAPACITOR	47uF 16V M	1	
	C15	CE32CB1A101M	E CAPACITOR	100uF 10V M	1	
	C16	CE32CC1C221M	E CAPACITOR	220uF 16V M	1	
	C18	CK73FXR1E106K	C CAPACITOR	10uF 25V K	1	
	C19	CK73FXR1E106K	C CAPACITOR	10uF 25V K	1	
	C20	CE32CC1C221M	E CAPACITOR	220uF 16V M	1	
	C21	CK73HXR1H104K	C CAPACITOR	0.1uF 50V K	1	
	C22	CE32CC1C221M	E CAPACITOR	220uF 16V M	1	
	C23	CK73HXR1C105K	C CAPACITOR	1uF 16V K	1	
	C24	CK73JXR1E104K	C CAPACITOR	0.1uF 25V K	1	
	C25	CK73JXR1C224K	C CAPACITOR	0.22uF 16V K	1	
	C26	CK73JXR1A104K	C CAPACITOR	0.1uF 10V K	1	
	C27	CE32CC1C221M	E CAPACITOR	220uF 16V M	1	
	C28	CE32CC1C221M	E CAPACITOR	220uF 16V M	1	
	C31	CK73JXR1H103K	C CAPACITOR	0.01uF 50V K	1	
	C32	CK73JXR1H103K	C CAPACITOR	0.01uF 50V K	1	
	C41	CK73GXR1E225K	C CAPACITOR	2.2uF 25V K	1	
	C42	CK73GXR1E225K	C CAPACITOR	2.2uF 25V K	1	
	C51	CK73JXR1H103K	C CAPACITOR	0.01uF 50V K	1	
	C52	CK73HXR1C105K	C CAPACITOR	1uF 16V K	1	
	C60	CC73JCH1H101J	C CAPACITOR	100pF 50V J	1	
	C71	CK73HXR1H104K	C CAPACITOR	0.1uF 50V K	1	
	C80	CK73GXR1E225K	C CAPACITOR	2.2uF 25V K	1	
	C90	CK73JXR1H103K	C CAPACITOR	0.01uF 50V K	1	
	C96	CK73JXR1H103K	C CAPACITOR	0.01uF 50V K	1	
	C97	CK73JXR1H103K	C CAPACITOR	0.01uF 50V K	1	
	C100	CE32CB1C100M	E CAPACITOR	10uF 16V M	1	
	C101	CK73HXR1E474K	C CAPACITOR	0.47uF 25V K	1	
	C102	CK73HXR1E474K	C CAPACITOR	0.47uF 25V K	1	
	C103	CK73HXR1E474K	C CAPACITOR	0.47uF 25V K	1	
	C104	CK73HXR1E474K	C CAPACITOR	0.47uF 25V K	1	
	C105	CC73HCH1H050C	C CAPACITOR	5pF 50V C	1	
	C106	CC73HCH1H050C	C CAPACITOR	5pF 50V C	1	
	C109	CK73HXR1E474K	C CAPACITOR	0.47uF 25V K	1	
	C110	CK73HXR1E474K	C CAPACITOR	0.47uF 25V K	1	
	C111	CK73HXR1E474K	C CAPACITOR	0.47uF 25V K	1	
	C112	CK73HXR1E474K	C CAPACITOR	0.47uF 25V K	1	
	C113	CK73HXR1E474K	C CAPACITOR	0.47uF 25V K	1	
	C114	CK73HXR1E474K	C CAPACITOR	0.47uF 25V K	1	
	C115	CK73JXR1A104K	C CAPACITOR	0.1uF 10V K	1	
	C121	CK73HXR1H102K	C CAPACITOR	1000pF 50V K	1	
	C122	CK73HXR1H102K	C CAPACITOR	1000pF 50V K	1	
	C123	CK73HXR1H102K	C CAPACITOR	1000pF 50V K	1	
	C124	CK73HXR1H102K	C CAPACITOR	1000pF 50V K	1	
	C125	CK73HXR1H102K	C CAPACITOR	1000pF 50V K	1	
	C126	CK73HXR1H102K	C CAPACITOR	1000pF 50V K	1	
	C127	CK73HXR1H102K	C CAPACITOR	1000pF 50V K	1	
	C128	CK73HXR1H102K	C CAPACITOR	1000pF 50V K	1	
	C131	CC73HCH1H221J	C CAPACITOR	220pF 50V J	1	
	C132	CC73HCH1H221J	C CAPACITOR	220pF 50V J	1	
	C133	CC73HCH1H221J	C CAPACITOR	220pF 50V J	1	
	C134	CC73HCH1H221J	C CAPACITOR	220pF 50V J	1	
	C135	CC73HCH1H221J	C CAPACITOR	220pF 50V J	1	
	C136	CC73HCH1H221J	C CAPACITOR	220pF 50V J	1	
	C137	CC73HCH1H221J	C CAPACITOR	220pF 50V J	1	
	C138	CC73HCH1H221J	C CAPACITOR	220pF 50V J	1	
	C145	CK73HXR1C105K	C CAPACITOR	1uF 16V K	1	
	C146	CK73HXR1C105K	C CAPACITOR	1uF 16V K	1	
	C151	CE32CB1C100M	E CAPACITOR	10uF 16V M	1	
	C152	CE32CB1C100M	E CAPACITOR	10uF 16V M	1	
	C153	CK73EXR1E106K	C CAPACITOR	10uF 25V K	1	
	C154	CK73EXR1E106K	C CAPACITOR	10uF 25V K	1	
	C155	CK73EXR1E106K	C CAPACITOR	10uF 25V K	1	
	C156	CK73EXR1E106K	C CAPACITOR	10uF 25V K	1	
	C171	CK73JXR1H102K	C CAPACITOR	1000pF 50V K	1	
	C172	CK73JXR1H102K	C CAPACITOR	1000pF 50V K	1	
	C173	CK73JXR1H102K	C CAPACITOR	1000pF 50V K	1	
	C174	CK73JXR1H102K	C CAPACITOR	1000pF 50V K	1	
	C175	CK73JXR1H102K	C CAPACITOR	1000pF 50V K	1	
	C176	CK73JXR1H102K	C CAPACITOR	1000pF 50V K	1	
	C177	CK73JXR1H102K	C CAPACITOR	1000pF 50V K	1	
	C191	CK73EXR1E106K	C CAPACITOR	10uF 25V K	1	
	C192	CK73EXR1E106K	C CAPACITOR	10uF 25V K	1	
	C195	CK73JXR1H102K	C CAPACITOR	1000pF 50V K	1	
	C196	CK73JXR1H102K	C CAPACITOR	1000pF 50V K	1	
	C197	CK73JXR1H102K	C CAPACITOR	1000pF 50V K	1	
	C201	CE32CB1C470M	E CAPACITOR	47uF 16V M	1	
	C202	CK73JXR1H103K	C CAPACITOR	0.01uF 50V K	1	
	C203	CK73JXR1H103K	C CAPACITOR	0.01uF 50V K	1	
	C204	CK73FXR1E106K	C CAPACITOR	10uF 25V K	1	
	C205	CK73HXR1C105K	C CAPACITOR	1uF 16V K	1	

MODEL	MARK
DNR876S	K1

Safe	Symbol No.	Parts No.	Parts Name	Description	QTY	Local
C206		CK73HXR1C105K	C CAPACITOR	1uF 16V K	1	
C208		CK73HXR1C105K	C CAPACITOR	1uF 16V K	1	
C211		CK73HXR1C105K	C CAPACITOR	1uF 16V K	1	
C212		CK73HXR1C105K	C CAPACITOR	1uF 16V K	1	
C215		CK73HXR1C105K	C CAPACITOR	1uF 16V K	1	
C216		CK73HXR1C105K	C CAPACITOR	1uF 16V K	1	
C219		CK73HXR1C105K	C CAPACITOR	1uF 16V K	1	
C220		CK73HXR1C105K	C CAPACITOR	1uF 16V K	1	
C223		CK73HXR1C105K	C CAPACITOR	1uF 16V K	1	
C224		CK73HXR1C105K	C CAPACITOR	1uF 16V K	1	
C225		CK73FXR1E106K	C CAPACITOR	10uF 25V K	1	
C227		CK73HXR1C105K	C CAPACITOR	1uF 16V K	1	
C228		CK73HXR1C105K	C CAPACITOR	1uF 16V K	1	
C234		CK73JXR1H103K	C CAPACITOR	0.01uF 50V K	1	
C235		CK73JXR1H103K	C CAPACITOR	0.01uF 50V K	1	
C236		CK73JXR1E104K	C CAPACITOR	0.1uF 25V K	1	
C237		CK73HXR1C105K	C CAPACITOR	1uF 16V K	1	
C238		CK73HXR1C105K	C CAPACITOR	1uF 16V K	1	
C239		CK73JXR1E104K	C CAPACITOR	0.1uF 25V K	1	
C241		CK73FXR1A106K	C CAPACITOR	10uF 10V K	1	
C243		CC73JCH1H100D	C CAPACITOR	10pF 50V D	1	
C244		CC73JCH1H100D	C CAPACITOR	10pF 50V D	1	
C264		CK73JXR1H102K	C CAPACITOR	1000pF 50V K	1	
C265		CK73JXR1H102K	C CAPACITOR	1000pF 50V K	1	
C266		CK73JXR1H102K	C CAPACITOR	1000pF 50V K	1	
C267		CK73FXR1E106K	C CAPACITOR	10uF 25V K	1	
C268		CK73JXR1E104K	C CAPACITOR	0.1uF 25V K	1	
C269		CK73FXR1E106K	C CAPACITOR	10uF 25V K	1	
C272		CK73GXR1E225K	C CAPACITOR	2.2uF 25V K	1	
C273		CK73GXR1E225K	C CAPACITOR	2.2uF 25V K	1	
C274		CK73FXR1E106K	C CAPACITOR	10uF 25V K	1	
C283		CK73JXR1H102K	C CAPACITOR	1000pF 50V K	1	
C284		CK73JXR1H102K	C CAPACITOR	1000pF 50V K	1	
C285		CK73JXR1H102K	C CAPACITOR	1000pF 50V K	1	
C301		CK73GXR1E225K	C CAPACITOR	2.2uF 25V K	1	
C302		CK73JXR1A104K	C CAPACITOR	0.1uF 10V K	1	
C303		CK73JXR1H102K	C CAPACITOR	1000pF 50V K	1	
C304		CK73JXR1A104K	C CAPACITOR	0.1uF 10V K	1	
C305		CK73GXR1A106K	C CAPACITOR	10uF 10V K	1	
C308		CK73FXR0J106K	C CAPACITOR	10uF 6.3V K	1	
C309		CK73FXR0J106K	C CAPACITOR	10uF 6.3V K	1	
C310		CK73JXR1A104K	C CAPACITOR	0.1uF 10V K	1	
C312		CK73JXR1H103K	C CAPACITOR	0.01uF 50V K	1	
C313		CK73JXR1A104K	C CAPACITOR	0.1uF 10V K	1	
C316		CK73JXR1A104K	C CAPACITOR	0.1uF 10V K	1	
C317		CK73JXR1C224K	C CAPACITOR	0.22uF 16V K	1	
C318		CC73JCH1E102J	C CAPACITOR	1000pF 25V J	1	
C319		CK73JXR1A104K	C CAPACITOR	0.1uF 10V K	1	
C323		CC73HCH1H220J	C CAPACITOR	22pF 50V J	1	
C324		CC73HCH1H220J	C CAPACITOR	22pF 50V J	1	
C325		CC73GCH1H151J	C CAPACITOR	150pF 50V J	1	
C328		CC73JCH1E102J	C CAPACITOR	1000pF 25V J	1	
C329		CC73JCH1H010C	C CAPACITOR	1pF 50V C	1	
C330		CC73JCH1H090C	C CAPACITOR	9pF 50V C	1	
C331		CC73JCH1E102J	C CAPACITOR	1000pF 25V J	1	
C332		CK73JXR1H152K	C CAPACITOR	1500pF 50V K	1	
C501		CK73GXR1E225K	C CAPACITOR	2.2uF 25V K	1	
C502		CK73GXR1E225K	C CAPACITOR	2.2uF 25V K	1	
C503		CK73FXR1E106K	C CAPACITOR	10uF 25V K	1	
C511		CK73JXR1A104K	C CAPACITOR	0.1uF 10V K	1	
C512		CK73JXR1A104K	C CAPACITOR	0.1uF 10V K	1	
C601		CE32CB1C100M	E CAPACITOR	10uF 16V M	1	
C602		CE32CB1C100M	E CAPACITOR	10uF 16V M	1	
C603		CK73EXR1E106K	C CAPACITOR	10uF 25V K	1	
C604		CK73EXR1E106K	C CAPACITOR	10uF 25V K	1	
C605		CK73EXR1E106K	C CAPACITOR	10uF 25V K	1	
C606		CK73EXR1E106K	C CAPACITOR	10uF 25V K	1	
C610		CK73FXR1E106K	C CAPACITOR	10uF 25V K	1	
C611		CK73JXR1H103K	C CAPACITOR	0.01uF 50V K	1	
C612		CK73HXR1C105K	C CAPACITOR	1uF 16V K	1	
C613		CK73HXR1C105K	C CAPACITOR	1uF 16V K	1	
C614		CK73HXR1C105K	C CAPACITOR	1uF 16V K	1	
C616		CK73HXR1C105K	C CAPACITOR	1uF 16V K	1	
C618		CK73HXR1C105K	C CAPACITOR	1uF 16V K	1	
C619		CK73JXR1H102K	C CAPACITOR	1000pF 50V K	1	
C711		CK73GXR1C475K	C CAPACITOR	4.7uF 16V K	1	
C712		CK73GXR1C475K	C CAPACITOR	4.7uF 16V K	1	
C713		CK73GXR1C475K	C CAPACITOR	4.7uF 16V K	1	
C714		CK73GXR1C475K	C CAPACITOR	4.7uF 16V K	1	
C715		CK73GXR1C475K	C CAPACITOR	4.7uF 16V K	1	
C716		CK73GXR1C475K	C CAPACITOR	4.7uF 16V K	1	
C721		CK73GXR1C475K	C CAPACITOR	4.7uF 16V K	1	
C722		CK73GXR1C475K	C CAPACITOR	4.7uF 16V K	1	
C781		CE32BJ1C101M	E CAPACITOR	100uF 16V M	1	
C782		CK73JXR1E104K	C CAPACITOR	0.1uF 25V K	1	
C783		CK73JXR1E104K	C CAPACITOR	0.1uF 25V K	1	
C790		CK73EXR1H106K	C CAPACITOR	10uF 50V K	1	
C791		CK73FXR1E106K	C CAPACITOR	10uF 25V K	1	
C792		CK73FXR1E106K	C CAPACITOR	10uF 25V K	1	
C851		CK73JXR1H472K	C CAPACITOR	4700pF 50V K	1	
C852		CK73JXR1H472K	C CAPACITOR	4700pF 50V K	1	
C853		CK73FXR0J226M	C CAPACITOR	22uF 6.3V M	1	

MODEL	MARK
DNR876S	K1

Safe	Symbol No.	Parts No.	Parts Name	Description	QTY	Local
	C854	CK73JXR1H103K	C CAPACITOR	0.01uF 50V K	1	
	C855	CK73JXR1H103K	C CAPACITOR	0.01uF 50V K	1	
	C856	CK73JXR1H103K	C CAPACITOR	0.01uF 50V K	1	
	R11	RK73HB1J000J	MG RESISTOR	0Ω 1/16W J	1	
	R12	RK73HH1J434D	MG RESISTOR	430kΩ 1/16W D	1	
	R13	RK73HB1J102J	MG RESISTOR	1kΩ 1/16W J	1	
	R15	RK73HH1J273D	MG RESISTOR	27kΩ 1/16W D	1	
	R17	RK73HH1J472D	MG RESISTOR	4.7kΩ 1/16W D	1	
	R18	RK73HB1J101J	MG RESISTOR	100Ω 1/16W J	1	
	R19	RK73HB1J101J	MG RESISTOR	100Ω 1/16W J	1	
	R23	RK73FB2B000J	MG RESISTOR	0Ω 1/8W J	1	
	R24	RK73FB2B000J	MG RESISTOR	0Ω 1/8W J	1	
	R25	RK73FB2B000J	MG RESISTOR	0Ω 1/8W J	1	
	R27	RK73FB2B000J	MG RESISTOR	0Ω 1/8W J	1	
	R30	RK73HB1J473J	MG RESISTOR	47kΩ 1/16W J	1	
	R31	RK73EB2E622J	MG RESISTOR	6.2kΩ 1/4W J	1	
	R32	RK73EB2E622J	MG RESISTOR	6.2kΩ 1/4W J	1	
	R33	RK73HB1J113J	MG RESISTOR	11kΩ 1/16W J	1	
	R34	RK73HH1J104D	MG RESISTOR	100kΩ 1/16W D	1	
	R35	RK73HH1J563D	MG RESISTOR	56kΩ 1/16W D	1	
	R36	RK73HH1J474D	MG RESISTOR	470kΩ 1/16W D	1	
	R37	RK73EB2E153J	MG RESISTOR	15kΩ 1/4W J	1	
	R38	RK73GH2A333D	MG RESISTOR	33kΩ 1/10W D	1	
	R39	RK73HB1J273J	MG RESISTOR	27kΩ 1/16W J	1	
	R41	RK73FB2B472J	MG RESISTOR	4.7kΩ 1/8W J	1	
	R42	RK73FB2B472J	MG RESISTOR	4.7kΩ 1/8W J	1	
	R50	RK73HB1J223J	MG RESISTOR	22kΩ 1/16W J	1	
	R51	RK73GB2A472J	MG RESISTOR	4.7kΩ 1/10W J	1	
	R52	RK73GB2A472J	MG RESISTOR	4.7kΩ 1/10W J	1	
	R53	RK73GB2A223J	MG RESISTOR	22kΩ 1/10W J	1	
	R54	RK73HB1J333J	MG RESISTOR	33kΩ 1/16W J	1	
	R55	RK73GB2A152J	MG RESISTOR	1.5kΩ 1/10W J	1	
	R60	RK73HB1J182J	MG RESISTOR	1.8kΩ 1/16W J	1	
	R61	RK73GB2A111J	MG RESISTOR	110Ω 1/10W J	1	
	R62	RK73HB1J103J	MG RESISTOR	10kΩ 1/16W J	1	
	R63	RK73HB1J243J	MG RESISTOR	24kΩ 1/16W J	1	
	R64	RK73HB1J472J	MG RESISTOR	4.7kΩ 1/16W J	1	
	R65	RK73HB1J472J	MG RESISTOR	4.7kΩ 1/16W J	1	
	R66	RK73HB1J103J	MG RESISTOR	10kΩ 1/16W J	1	
	R67	RK73HB1J473J	MG RESISTOR	47kΩ 1/16W J	1	
	R68	RK73HB1J223J	MG RESISTOR	22kΩ 1/16W J	1	
	R69	RK73HB1J472J	MG RESISTOR	4.7kΩ 1/16W J	1	
	R70	RK73HB1J473J	MG RESISTOR	47kΩ 1/16W J	1	
	R72	RK73HB1J123J	MG RESISTOR	12kΩ 1/16W J	1	
	R73	RK73HB1J683J	MG RESISTOR	68kΩ 1/16W J	1	
	R74	RK73HB1J103J	MG RESISTOR	10kΩ 1/16W J	1	
	R80	RK73HB1J471J	MG RESISTOR	470Ω 1/16W J	1	
	R81	RK73HB1J473J	MG RESISTOR	47kΩ 1/16W J	1	
	R82	RK73FB2B103J	MG RESISTOR	10kΩ 1/8W J	1	
	R83	RK73HB1J223J	MG RESISTOR	22kΩ 1/16W J	1	
	R84	RK73HB1J473J	MG RESISTOR	47kΩ 1/16W J	1	
	R85	RK73HB1J000J	MG RESISTOR	0Ω 1/16W J	1	
	R90	RK73GB2A272J	MG RESISTOR	2.7kΩ 1/10W J	1	
	R91	RK73HB1J102J	MG RESISTOR	1kΩ 1/16W J	1	
	R96	RK73FB2B752J	MG RESISTOR	7.5kΩ 1/8W J	1	
	R97	RK73HB1J753J	MG RESISTOR	75kΩ 1/16W J	1	
	R100	RK73HB1J473J	MG RESISTOR	47kΩ 1/16W J	1	
	R101	RK73HB1J000J	MG RESISTOR	0Ω 1/16W J	1	
	R102	RK73HB1J000J	MG RESISTOR	0Ω 1/16W J	1	
	R103	RK73HB1J000J	MG RESISTOR	0Ω 1/16W J	1	
	R104	RK73HB1J000J	MG RESISTOR	0Ω 1/16W J	1	
	R115	RK73HB1J101J	MG RESISTOR	100Ω 1/16W J	1	
	R140	RK73HB1J473J	MG RESISTOR	47kΩ 1/16W J	1	
	R142	RK73HB1J331J	MG RESISTOR	330Ω 1/16W J	1	
	R143	RK73HB1J223J	MG RESISTOR	22kΩ 1/16W J	1	
	R144	RK73HB1J751J	MG RESISTOR	750Ω 1/16W J	1	
	R145	RK73HB1J333J	MG RESISTOR	33kΩ 1/16W J	1	
	R146	RK73HB1J3R0J	MG RESISTOR	3.0Ω 1/16W J	1	
	R147	RK73HB1J000J	MG RESISTOR	0Ω 1/16W J	1	
	R148	RK73HB1J000J	MG RESISTOR	0Ω 1/16W J	1	
	R151	RK73HB1J471J	MG RESISTOR	470Ω 1/16W J	1	
	R152	RK73HB1J471J	MG RESISTOR	470Ω 1/16W J	1	
	R153	RK73HB1J471J	MG RESISTOR	470Ω 1/16W J	1	
	R154	RK73HB1J471J	MG RESISTOR	470Ω 1/16W J	1	
	R155	RK73HB1J471J	MG RESISTOR	470Ω 1/16W J	1	
	R156	RK73HB1J471J	MG RESISTOR	470Ω 1/16W J	1	
	R159	RK73HB1J473J	MG RESISTOR	47kΩ 1/16W J	1	
	R161	RK73HB1J223J	MG RESISTOR	22kΩ 1/16W J	1	
	R162	RK73HB1J223J	MG RESISTOR	22kΩ 1/16W J	1	
	R163	RK73HB1J223J	MG RESISTOR	22kΩ 1/16W J	1	
	R164	RK73HB1J223J	MG RESISTOR	22kΩ 1/16W J	1	
	R165	RK73HB1J223J	MG RESISTOR	22kΩ 1/16W J	1	
	R166	RK73HB1J223J	MG RESISTOR	22kΩ 1/16W J	1	
	R171	RK73GB2A101J	MG RESISTOR	100Ω 1/10W J	1	
	R172	RK73GB2A101J	MG RESISTOR	100Ω 1/10W J	1	
	R173	RK73GB2A101J	MG RESISTOR	100Ω 1/10W J	1	
	R174	RK73GB2A101J	MG RESISTOR	100Ω 1/10W J	1	
	R175	RK73GB2A101J	MG RESISTOR	100Ω 1/10W J	1	
	R191	RK73HB1J471J	MG RESISTOR	470Ω 1/16W J	1	
	R192	RK73HB1J471J	MG RESISTOR	470Ω 1/16W J	1	
	R193	RK73HB1J223J	MG RESISTOR	22kΩ 1/16W J	1	
	R194	RK73HB1J223J	MG RESISTOR	22kΩ 1/16W J	1	
	R195	RK73GB2A101J	MG RESISTOR	100Ω 1/10W J	1	

MODEL	MARK
DNR876S	K1

Safe	Symbol No.	Parts No.	Parts Name	Description	QTY	Local
	R196	RK73GB2A101J	MG RESISTOR	100Ω 1/10W J	1	
	R201	RK73GB2A2R2J	MG RESISTOR	2.2Ω 1/10W J	1	
	R202	RK73HB1J102J	MG RESISTOR	1kΩ 1/16W J	1	
	R204	RK73HB1J103J	MG RESISTOR	10kΩ 1/16W J	1	
	R205	RK73HB1J101J	MG RESISTOR	100Ω 1/16W J	1	
	R206	RK73HB1J101J	MG RESISTOR	100Ω 1/16W J	1	
	R211	RK73HH1J104D	MG RESISTOR	100kΩ 1/16W D	1	
	R212	RK73HH1J104D	MG RESISTOR	100kΩ 1/16W D	1	
	R213	RK73HH1J303D	MG RESISTOR	30kΩ 1/16W D	1	
	R214	RK73HH1J303D	MG RESISTOR	30kΩ 1/16W D	1	
	R215	RK73HH1J103D	MG RESISTOR	10kΩ 1/16W D	1	
	R216	RK73HH1J103D	MG RESISTOR	10kΩ 1/16W D	1	
	R217	RK73HH1J392D	MG RESISTOR	3.9kΩ 1/16W D	1	
	R218	RK73HH1J103D	MG RESISTOR	10kΩ 1/16W D	1	
	R219	RK73HH1J103D	MG RESISTOR	10kΩ 1/16W D	1	
	R220	RK73HB1J101J	MG RESISTOR	100Ω 1/16W J	1	
	R272	RK73HH1J103D	MG RESISTOR	10kΩ 1/16W D	1	
	R273	RK73HH1J103D	MG RESISTOR	10kΩ 1/16W D	1	
	R274	RK73HH1J393D	MG RESISTOR	39kΩ 1/16W D	1	
	R275	RK73HH1J393D	MG RESISTOR	39kΩ 1/16W D	1	
	R276	RK73HH1J473D	MG RESISTOR	47kΩ 1/16W D	1	
	R277	RK73HH1J473D	MG RESISTOR	47kΩ 1/16W D	1	
	R278	RK73HH1J473D	MG RESISTOR	47kΩ 1/16W D	1	
	R279	RK73HH1J393D	MG RESISTOR	39kΩ 1/16W D	1	
	R280	RK73HH1J393D	MG RESISTOR	39kΩ 1/16W D	1	
	R281	RK73HH1J393D	MG RESISTOR	39kΩ 1/16W D	1	
	R282	RK73HH1J393D	MG RESISTOR	39kΩ 1/16W D	1	
	R283	RK73HH1J473D	MG RESISTOR	47kΩ 1/16W D	1	
	R284	RK73HH1J473D	MG RESISTOR	47kΩ 1/16W D	1	
	R285	RK73HH1J473D	MG RESISTOR	47kΩ 1/16W D	1	
	R286	RK73HH1J393D	MG RESISTOR	39kΩ 1/16W D	1	
	R287	RK73HH1J393D	MG RESISTOR	39kΩ 1/16W D	1	
	R289	RK73HH1J473D	MG RESISTOR	47kΩ 1/16W D	1	
	R290	RK73HH1J473D	MG RESISTOR	47kΩ 1/16W D	1	
	R291	RK73HB1J101J	MG RESISTOR	100Ω 1/16W J	1	
	R292	RK73HB1J101J	MG RESISTOR	100Ω 1/16W J	1	
	R293	RK73GB2A2R2J	MG RESISTOR	2.2Ω 1/10W J	1	
	R294	RK73HB1J473J	MG RESISTOR	47kΩ 1/16W J	1	
	R301	RK73HB1J473J	MG RESISTOR	47kΩ 1/16W J	1	
	R302	RK73GB2A000J	MG RESISTOR	0Ω 1/10W J	1	
	R303	RK73GB2A102J	MG RESISTOR	1kΩ 1/10W J	1	
	R304	RK73HB1J000J	MG RESISTOR	0Ω 1/16W J	1	
	R305	RK73HB1J000J	MG RESISTOR	0Ω 1/16W J	1	
	R306	RK73HB1J000J	MG RESISTOR	0Ω 1/16W J	1	
	R307	RK73HB1J101J	MG RESISTOR	100Ω 1/16W J	1	
	R308	RK73HB1J101J	MG RESISTOR	100Ω 1/16W J	1	
	R316	RK73GB2A105J	MG RESISTOR	1MΩ 1/10W J	1	
	R317	RK73GB2A105J	MG RESISTOR	1MΩ 1/10W J	1	
	R318	RK73GB2A820J	MG RESISTOR	82Ω 1/10W J	1	
	R319	RK73GB2A000J	MG RESISTOR	0Ω 1/10W J	1	
	R320	RK73GB2A000J	MG RESISTOR	0Ω 1/10W J	1	
	R325	RK73HB1J000J	MG RESISTOR	0Ω 1/16W J	1	
	R326	RK73HB1J000J	MG RESISTOR	0Ω 1/16W J	1	
	R327	RK73HB1J000J	MG RESISTOR	0Ω 1/16W J	1	
	R328	RK73HB1J000J	MG RESISTOR	0Ω 1/16W J	1	
	R500	RK73EB2E000J	MG RESISTOR	0Ω 1/4W J	1	
	R501	RK73GB2A100J	MG RESISTOR	10Ω 1/10W J	1	
	R502	RK73GB2A100J	MG RESISTOR	10Ω 1/10W J	1	
	R503	RK73GB2A100J	MG RESISTOR	10Ω 1/10W J	1	
	R511	RK73GB2A101J	MG RESISTOR	100Ω 1/10W J	1	
	R512	RK73GB2A101J	MG RESISTOR	100Ω 1/10W J	1	
	R513	RK73GB2A101J	MG RESISTOR	100Ω 1/10W J	1	
	R514	RK73HB1J2R2J	MG RESISTOR	2.2Ω 1/16W J	1	
	R515	RK73HB1J272J	MG RESISTOR	2.7kΩ 1/16W J	1	
	R516	RK73HB1J473J	MG RESISTOR	47kΩ 1/16W J	1	
	R517	RK73HB1J272J	MG RESISTOR	2.7kΩ 1/16W J	1	
	R581	RK73HB1J100J	MG RESISTOR	10Ω 1/16W J	1	
	R582	RK73HB1J100J	MG RESISTOR	10Ω 1/16W J	1	
	R583	RK73HB1J100J	MG RESISTOR	10Ω 1/16W J	1	
	R611	RK73GB2A2R2J	MG RESISTOR	2.2Ω 1/10W J	1	
	R612	RK73HB1J103J	MG RESISTOR	10kΩ 1/16W J	1	
	R614	RK73HB1J102J	MG RESISTOR	1kΩ 1/16W J	1	
	R615	RK73HB1J100J	MG RESISTOR	10Ω 1/16W J	1	
	R616	RK73HB1J684J	MG RESISTOR	680kΩ 1/16W J	1	
	R716	RK73GB2A101J	MG RESISTOR	100Ω 1/10W J	1	
	R782	RK73HB1J222J	MG RESISTOR	2.2kΩ 1/16W J	1	
	R787	RK73HB1J105J	MG RESISTOR	1MΩ 1/16W J	1	
	R792	RK73HH1J393D	MG RESISTOR	39kΩ 1/16W D	1	
	R793	RK73HH1J622D	MG RESISTOR	6.2kΩ 1/16W D	1	
	R794	RK73HH1J123D	MG RESISTOR	12kΩ 1/16W D	1	
	R795	RK73HB1J101J	MG RESISTOR	100Ω 1/16W J	1	
	R796	RK73HH1J103D	MG RESISTOR	10kΩ 1/16W D	1	
	R797	RK73HB1J472J	MG RESISTOR	4.7kΩ 1/16W J	1	
	R851	RK73GB2A103J	MG RESISTOR	10kΩ 1/10W J	1	
	R852	RK73GB2A103J	MG RESISTOR	10kΩ 1/10W J	1	
	R853	RK73HB1J563J	MG RESISTOR	56kΩ 1/16W J	1	
	R854	RK73HB1J563J	MG RESISTOR	56kΩ 1/16W J	1	
	R855	RK73HB1J222J	MG RESISTOR	2.2kΩ 1/16W J	1	
	R856	RK73HB1J182J	MG RESISTOR	1.8kΩ 1/16W J	1	
	R857	RK73HB1J101J	MG RESISTOR	100Ω 1/16W J	1	
	R858	RK73HB1J393J	MG RESISTOR	39kΩ 1/16W J	1	
	R859	RK73HB1J224J	MG RESISTOR	220kΩ 1/16W J	1	

MODEL	MARK
DNR876S	K1

Safe	Symbol No.	Parts No.	Parts Name	Description	QTY	Local
	R860	RK73HB1J105J	MG RESISTOR	1MΩ 1/16W J	1	
	R861	RK73HB1J472J	MG RESISTOR	4.7kΩ 1/16W J	1	
	R862	RK73HB1J472J	MG RESISTOR	4.7kΩ 1/16W J	1	
	R863	RK73HB1J101J	MG RESISTOR	100Ω 1/16W J	1	
	R864	RK73HB1J101J	MG RESISTOR	100Ω 1/16W J	1	
	R1101	RK73HH1J680D	MG RESISTOR	68Ω 1/16W D	1	
	R1102	RK73HH1J680D	MG RESISTOR	68Ω 1/16W D	1	
	R1103	RK73HH1J680D	MG RESISTOR	68Ω 1/16W D	1	
	R1104	RK73HH1J680D	MG RESISTOR	68Ω 1/16W D	1	
	R1111	RK73HB1J120J	MG RESISTOR	12Ω 1/16W J	1	
	R1112	RK73HB1J120J	MG RESISTOR	12Ω 1/16W J	1	
	R1113	RK73HB1J120J	MG RESISTOR	12Ω 1/16W J	1	
	R1114	RK73HB1J120J	MG RESISTOR	12Ω 1/16W J	1	
	R1146	RK73HB1J000J	MG RESISTOR	0Ω 1/16W J	1	
	L1	L3D-0053-00	CHOCO COIL		1	
	L302	LR73Z0AD4R7M	CHIP INDUCTOR		1	
	L303	LK73G0BER15K	M.CHIP INDUCTOR		1	
	L304	L3B-0005-00	FM-RF COIL		1	
	L305	LK73G0BE1R0K	M.CHIP INDUCTOR		1	
	L306	LK73G0BER10K	M.CHIP INDUCTOR		1	
	L307	LK73G0BER47K	M.CHIP INDUCTOR		1	
	L308	LK73G0BE4R7K	M.CHIP INDUCTOR		1	
	L601	LK73G0AQ1R0K	M.CHIP INDUCTOR		1	
	CN201	EC720AA-0560A	FFC FPC CONNE		1	
	CN301	EC720AA-0550A	FFC FPC CONNE		1	
	CN302	EA110AP-2004A	W TO B CONNE		1	
	CN781	EA720AM-1205A	W TO B CONNE		1	
△	F6	F53-0513-08	PATTERN FUSE	4A	1	
△	F7	F53-0513-08	PATTERN FUSE	4A	1	
△	F171	F53-0513-08	PATTERN FUSE	4A	1	
△	F191	F53-0513-08	PATTERN FUSE	4A	1	
△	F581	F53-0513-08	PATTERN FUSE	4A	1	
	J1	E5J-0022-00	R.RECEPTACLE		1	
	J151	E6D-0025-00	PIN JACK		1	
	J191	E1B-0041-00	3.5D PHONE JACK		1	
	J501	E5G-0029-00	CYL.RECEPTACLE		1	
	J581	E1B-0041-00	3.5D PHONE JACK		1	
	VA52	SDV1005E18//2	VARIATOR		1	
	VA55	SDV1005E18//2	VARIATOR		1	
	VA60	SDV1005E18//2	VARIATOR		1	
	VA72	SDV1005E18//2	VARIATOR		1	
	VA74	SDV1005E18//2	VARIATOR		1	
	VA75	SDV1005E18//2	VARIATOR		1	
	VA96	SDV1005E18//2	VARIATOR		1	
	VA171	SDV1005A14//0	VARIATOR		1	
	VA172	SDV1005A14//0	VARIATOR		1	
	VA173	SDV1005A14//0	VARIATOR		1	
	VA174	SDV1005A14//0	VARIATOR		1	
	VA175	SDV1005A14//0	VARIATOR		1	
	VA176	SDV1005A14//0	VARIATOR		1	
	VA177	SDV1005A14//0	VARIATOR		1	
	VA195	SDV1005A14//0	VARIATOR		1	
	VA196	SDV1005A14//0	VARIATOR		1	
	VA197	SDV1005A14//0	VARIATOR		1	
	VA301	FOK-0010-00	SURGE ABSORBER		1	
	VA501	SDV1005A14//0	VARIATOR		1	
	VA502	SDV1005A14//0	VARIATOR		1	
	VA503	SDV1005A14//0	VARIATOR		1	
	VA511	SDV1005E18//2	VARIATOR		1	
	VA512	SDV1005E18//2	VARIATOR		1	
	VA513	SDV1005E18//2	VARIATOR		1	
	VA581	SDV1005A14//0	VARIATOR		1	
	VA582	SDV1005A14//0	VARIATOR		1	
	VA583	SDV1005A14//0	VARIATOR		1	
	VA851	SDV1005E18//2	VARIATOR		1	
	W301	E3A-0388-00	ANTENNA CABLE		1	
	X301	L7J-0014-00	QUARTZ CRYSTAL		1	
OPERATION PWB ASSY(XJ7-042K-00) <XJ7>						
	IC1	PICA38603-NV	IR DETECT UNIT		1	
	D1	NSSM124	LED		1	
	D2	NSSM124	LED		1	
	D3	NSSM124	LED		1	
	D4	NSSM124	LED		1	
	C1	CK73GXR1A105K	C CAPACITOR	1uF 10V K	1	
	C2	CK73HXR1C104K	C CAPACITOR	0.1uF 16V K	1	
	R1	RK73GB2A333J	MG RESISTOR	33kΩ 1/10W J	1	
	R2	RK73GB2A103J	MG RESISTOR	10kΩ 1/10W J	1	
	R3	RK73GB2A472J	MG RESISTOR	4.7kΩ 1/10W J	1	
	R4	RK73GB2A332J	MG RESISTOR	3.3kΩ 1/10W J	1	
	R5	RK73HB1J000J	MG RESISTOR	0Ω 1/16W J	1	
	CN1	EC720AT-0513A	FFC FPC CONNE		1	
	S1	S7A-0001-00	TACTILE PUSH SW		1	
	S2	S7A-0001-00	TACTILE PUSH SW		1	
	S3	S7A-0001-00	TACTILE PUSH SW		1	
	S4	S7A-0001-00	TACTILE PUSH SW		1	
	S5	S7A-0001-00	TACTILE PUSH SW		1	
	S6	S7A-0001-00	TACTILE PUSH SW		1	
	S7	S7A-0001-00	TACTILE PUSH SW		1	
VIDEO PWB ASSY(XJ8-066K-01) <XJ8>						
	IC100	W3F-0466-00	MCU IC		1	
	IC102	BU4228F	ANALOG IC		1	
	IC103	XC6223B331P-G	ANALOG IC		1	
	IC105	TC7SH32FUJC	MOS IC		1	

MODEL	MARK
DNR876S	K1

Safe	Symbol No.	Parts No.	Parts Name	Description	QTY	Local
	IC106	TC7SH17FUJC	MOS IC		1	
	IC200	LM3481MMXNOPB	ANALOG IC		1	
	IC201	TC7SH17FUJC	MOS IC		1	
	IC202	XC6213B332N-G	MOS IC		1	
	IC300	NJM11100F1	ANALOG IC		1	
	IC301	XC6701BF02M-G	ANALOG IC		1	
	IC302	XC6901DA01M-G	ANALOG IC		1	
	Q100	LTC014YEBFS8	DIGI TRANSISTOR		1	
	Q101	LTC014YEBFS8	DIGI TRANSISTOR		1	
	Q200	LTA043ZEBFS8	DIGI TRANSISTOR		1	
	Q201	LSAR523UBFS8	TRANSISTOR		1	
	Q202	RTQ035N03	FET		1	
	Q203	LSAR523UBFS8	TRANSISTOR		1	
	Q204	LSCR523UBFS8	TRANSISTOR		1	
	Q205	LSCR523UBFS8	TRANSISTOR		1	
	Q206	LSCR523UBFS8	TRANSISTOR		1	
	Q207	LSAR523UBFS8	TRANSISTOR		1	
	Q208	LSCR523UBFS8	TRANSISTOR		1	
	Q209	LSCR523UBFS8	TRANSISTOR		1	
	Q210	LSCR523UBFS8	TRANSISTOR		1	
	Q211	LSCR523UBFS8	TRANSISTOR		1	
	Q212	LSCR523UBFS8	TRANSISTOR		1	
	Q213	LTC043ZEBFS8	DIGI TRANSISTOR		1	
	Q214	LTC043ZEBFS8	DIGI TRANSISTOR		1	
	Q300	LSCR523UBFS8	TRANSISTOR		1	
	Q303	LTA014YEBFS8	DIGI TRANSISTOR		1	
	Q304	LTA044EEBFS8	DIGI TRANSISTOR		1	
	Q305	LTC014YEBFS8	DIGI TRANSISTOR		1	
	Q306	LTC014EEBFS8	DIGI TRANSISTOR		1	
	Q307	LSAR523UBFS8	TRANSISTOR		1	
	Q308	LSCR523UBFS8	TRANSISTOR		1	
	Q310	LTA014YEBFS8	DIGI TRANSISTOR		1	
	Q311	LTC014EEBFS8	DIGI TRANSISTOR		1	
	Q312	LSCR523UBFS8	TRANSISTOR		1	
	Q313	LSCR523UBFS8	TRANSISTOR		1	
	Q400	LSCR523UBFS8	TRANSISTOR		1	
	Q401	LSAR523UBFS8	TRANSISTOR		1	
	Q402	LTC014YEBFS8	DIGI TRANSISTOR		1	
	Q403	LTC014YEBFS8	DIGI TRANSISTOR		1	
	Q404	LTC014YEBFS8	DIGI TRANSISTOR		1	
	Q500	2SC5585	TRANSISTOR		1	
	Q501	2SC5585	TRANSISTOR		1	
	Q502	2SA2018	TRANSISTOR		1	
	Q503	2SA2018	TRANSISTOR		1	
	Q504	LTA014YEBFS8	DIGI TRANSISTOR		1	
	Q505	LSCR523UBFS8	TRANSISTOR		1	
	Q506	LSCR523UBFS8	TRANSISTOR		1	
	Q600	LSCR523UBFS8	TRANSISTOR		1	
	Q601	LSCR523UBFS8	TRANSISTOR		1	
	Q602	LSCR523UBFS8	TRANSISTOR		1	
	D100	RB521S-30	SCHOTTKY DIODE		1	
	D200	SJPB-L4	SCHOTTKY DIODE		1	
	D201	DA2J101	DIODE		1	
	D202	DA2J101	DIODE		1	
	D705	DAN217WM	DIODE		1	
	C100	CC73JCH1H221J	C CAPACITOR	220pF 50V J	1	
	C101	CC73JCH1H101J	C CAPACITOR	100pF 50V J	1	
	C102	CC73JCH1H101J	C CAPACITOR	100pF 50V J	1	
	C103	CC73JCH1H101J	C CAPACITOR	100pF 50V J	1	
	C104	CC73JCH1H101J	C CAPACITOR	100pF 50V J	1	
	C105	CC73JCH1H221J	C CAPACITOR	220pF 50V J	1	
	C106	CK73JXR1C473K	C CAPACITOR	0.047uF 16V K	1	
	C107	CK73JXR1A104K	C CAPACITOR	0.1uF 10V K	1	
	C108	CK73HXR1A104K	C CAPACITOR	0.1uF 10V K	1	
	C109	CK73JXR1A104K	C CAPACITOR	0.1uF 10V K	1	
	C111	CK73HXR1C105K	C CAPACITOR	1uF 16V K	1	
	C112	CK73HXR1C105K	C CAPACITOR	1uF 16V K	1	
	C113	CK73HXR1C105K	C CAPACITOR	1uF 16V K	1	
	C114	CK73EXR1E106K	C CAPACITOR	10uF 25V K	1	
	C115	CK73HXR1C105K	C CAPACITOR	1uF 16V K	1	
	C116	CK73JXR1A104K	C CAPACITOR	0.1uF 10V K	1	
	C117	CK73JXR1A104K	C CAPACITOR	0.1uF 10V K	1	
	C119	CK73JXR1H472K	C CAPACITOR	4700pF 50V K	1	
	C120	CK73HXR1H102K	C CAPACITOR	1000pF 50V K	1	
	C121	CK73HXR1C105K	C CAPACITOR	1uF 16V K	1	
	C123	CC73JCH1H101J	C CAPACITOR	100pF 50V J	1	
	C124	CC73JCH1H101J	C CAPACITOR	100pF 50V J	1	
	C125	CC73JCH1H101J	C CAPACITOR	100pF 50V J	1	
	C126	CC73JCH1H101J	C CAPACITOR	100pF 50V J	1	
	C140	CK73JXR1H103K	C CAPACITOR	0.01uF 50V K	1	
	C141	CC73JCH1H101J	C CAPACITOR	100pF 50V J	1	
	C200	CK73HXR1C105K	C CAPACITOR	1uF 16V K	1	
	C203	CK73GXR1H104K	C CAPACITOR	0.1uF 50V K	1	
	C204	CK73EXR1E106K	C CAPACITOR	10uF 25V K	1	
	C205	CK73HXR1H103K	C CAPACITOR	0.01uF 50V K	1	
	C206	CK73GXR1H104K	C CAPACITOR	0.1uF 50V K	1	
	C207	CK73EXR1E106K	C CAPACITOR	10uF 25V K	1	
	C208	CK73EXR1E106K	C CAPACITOR	10uF 25V K	1	
	C209	CK73HXR1A104K	C CAPACITOR	0.1uF 10V K	1	
	C210	CK73HXR1C105K	C CAPACITOR	1uF 16V K	1	
	C211	CC73GCH1H391J	C CAPACITOR	390pF 50V J	1	
	C212	CK73GXR1H105K	C CAPACITOR	1uF 50V K	1	
	C213	CK73EXR1E106K	C CAPACITOR	10uF 25V K	1	

MODEL	MARK
DNR876S	K1

Safe	Symbol No.	Parts No.	Parts Name	Description	QTY	Local
	C214	CK73JXR1A104K	C CAPACITOR	0.1uF 10V K	1	
	C215	CK73GXR1H104K	C CAPACITOR	0.1uF 50V K	1	
	C216	CK73GXR1H105K	C CAPACITOR	1uF 50V K	1	
	C217	CK73FXR0J226M	C CAPACITOR	22uF 6.3V M	1	
	C218	CK73HXR1H103K	C CAPACITOR	0.01uF 50V K	1	
	C219	CK73EXR1E106K	C CAPACITOR	10uF 25V K	1	
	C220	CK73EXR1E106K	C CAPACITOR	10uF 25V K	1	
	C221	CK73GXR1H105K	C CAPACITOR	1uF 50V K	1	
	C300	CK73GXR1E105K	C CAPACITOR	1uF 25V K	1	
	C301	CK73FXR1C106K	C CAPACITOR	10uF 16V K	1	
	C302	CK73GXR1H105K	C CAPACITOR	1uF 50V K	1	
	C303	CK73GXR1H105K	C CAPACITOR	1uF 50V K	1	
	C304	CK73GXR1H104K	C CAPACITOR	0.1uF 50V K	1	
	C305	CK73EXR1E106K	C CAPACITOR	10uF 25V K	1	
	C307	CK73FXR1E106K	C CAPACITOR	10uF 25V K	1	
	C308	CK73GXR1E105K	C CAPACITOR	1uF 25V K	1	
	C309	CK73FXR1E106K	C CAPACITOR	10uF 25V K	1	
	C408	CK73JXR1E104K	C CAPACITOR	0.1uF 25V K	1	
	C409	CK73HXR1C105K	C CAPACITOR	1uF 16V K	1	
	C410	CK73FXR1E475K	C CAPACITOR	4.7uF 25V K	1	
	C411	CK73GXR1H104K	C CAPACITOR	0.1uF 50V K	1	
	C412	CK73JXR1H103K	C CAPACITOR	0.01uF 50V K	1	
	C413	CK73FXR1E475K	C CAPACITOR	4.7uF 25V K	1	
	C414	CK73JXR1E104K	C CAPACITOR	0.1uF 25V K	1	
	C415	CK73JXR1H103K	C CAPACITOR	0.01uF 50V K	1	
	C416	CK73GXR0J106M	C CAPACITOR	10uF 6.3V M	1	
	C417	CK73JXR1A104K	C CAPACITOR	0.1uF 10V K	1	
	C418	CK73JXR1H103K	C CAPACITOR	0.01uF 50V K	1	
	C419	CK73FXR1C106K	C CAPACITOR	10uF 16V K	1	
	C420	CK73FXR1C106K	C CAPACITOR	10uF 16V K	1	
	C421	CK73GXR1H104K	C CAPACITOR	0.1uF 50V K	1	
	C422	CK73JXR1H103K	C CAPACITOR	0.01uF 50V K	1	
	C508	CK73GXR0J106M	C CAPACITOR	10uF 6.3V M	1	
	C600	CK73JXR1A104K	C CAPACITOR	0.1uF 10V K	1	
	C601	CK73JXR1A104K	C CAPACITOR	0.1uF 10V K	1	
	C602	CK73JXR1A104K	C CAPACITOR	0.1uF 10V K	1	
	C603	CK73FXR0J226M	C CAPACITOR	22uF 6.3V M	1	
	C604	CK73HXR1H102K	C CAPACITOR	1000pF 50V K	1	
	C605	CK73GXR1H104K	C CAPACITOR	0.1uF 50V K	1	
	C606	CK73JXR1H103K	C CAPACITOR	0.01uF 50V K	1	
	C607	CK73HXR1H102K	C CAPACITOR	1000pF 50V K	1	
	C608	CK73HXR1H102K	C CAPACITOR	1000pF 50V K	1	
	C609	CK73HXR1H102K	C CAPACITOR	1000pF 50V K	1	
	C611	CK73EXR1E106K	C CAPACITOR	10uF 25V K	1	
	C701	CK73JXR1H103K	C CAPACITOR	0.01uF 50V K	1	
	C702	CK73FXR1C106K	C CAPACITOR	10uF 16V K	1	
	R1	RK73HB1J000J	MG RESISTOR	0Ω 1/16W J	1	
	R6	RK73HB1J000J	MG RESISTOR	0Ω 1/16W J	1	
	R8	RK73HB1J000J	MG RESISTOR	0Ω 1/16W J	1	
	R9	RK73HB1J000J	MG RESISTOR	0Ω 1/16W J	1	
	R10	RK73HB1J000J	MG RESISTOR	0Ω 1/16W J	1	
	R11	RK73HB1J000J	MG RESISTOR	0Ω 1/16W J	1	
	R12	RK73HB1J000J	MG RESISTOR	0Ω 1/16W J	1	
	R13	RK73HB1J000J	MG RESISTOR	0Ω 1/16W J	1	
	R14	RK73HB1J000J	MG RESISTOR	0Ω 1/16W J	1	
	R15	RK73HB1J000J	MG RESISTOR	0Ω 1/16W J	1	
	R16	RK73HB1J000J	MG RESISTOR	0Ω 1/16W J	1	
	R17	RK73HB1J000J	MG RESISTOR	0Ω 1/16W J	1	
	R18	RK73HB1J000J	MG RESISTOR	0Ω 1/16W J	1	
	R19	RK73HB1J000J	MG RESISTOR	0Ω 1/16W J	1	
	R20	RK73HB1J000J	MG RESISTOR	0Ω 1/16W J	1	
	R21	RK73HB1J000J	MG RESISTOR	0Ω 1/16W J	1	
	R22	RK73HB1J000J	MG RESISTOR	0Ω 1/16W J	1	
	R23	RK73HB1J000J	MG RESISTOR	0Ω 1/16W J	1	
	R24	RK73HB1J000J	MG RESISTOR	0Ω 1/16W J	1	
	R25	RK73HB1J000J	MG RESISTOR	0Ω 1/16W J	1	
	R27	RK73HB1J000J	MG RESISTOR	0Ω 1/16W J	1	
	R29	RK73HB1J000J	MG RESISTOR	0Ω 1/16W J	1	
	R34	RK73HB1J000J	MG RESISTOR	0Ω 1/16W J	1	
	R39	RK73HB1J000J	MG RESISTOR	0Ω 1/16W J	1	
	R41	RK73HB1J000J	MG RESISTOR	0Ω 1/16W J	1	
	R42	RK73HB1J000J	MG RESISTOR	0Ω 1/16W J	1	
	R43	RK73HB1J000J	MG RESISTOR	0Ω 1/16W J	1	
	R44	RK73HB1J000J	MG RESISTOR	0Ω 1/16W J	1	
	R45	RK73HB1J000J	MG RESISTOR	0Ω 1/16W J	1	
	R46	RK73HB1J000J	MG RESISTOR	0Ω 1/16W J	1	
	R47	RK73HB1J000J	MG RESISTOR	0Ω 1/16W J	1	
	R48	RK73HB1J000J	MG RESISTOR	0Ω 1/16W J	1	
	R49	RK73HB1J000J	MG RESISTOR	0Ω 1/16W J	1	
	R50	RK73HB1J000J	MG RESISTOR	0Ω 1/16W J	1	
	R51	RK73HB1J000J	MG RESISTOR	0Ω 1/16W J	1	
	R52	RK73HB1J000J	MG RESISTOR	0Ω 1/16W J	1	
	R53	RK73HB1J000J	MG RESISTOR	0Ω 1/16W J	1	
	R54	RK73HB1J000J	MG RESISTOR	0Ω 1/16W J	1	
	R55	RK73HB1J000J	MG RESISTOR	0Ω 1/16W J	1	
	R56	RK73HB1J000J	MG RESISTOR	0Ω 1/16W J	1	
	R57	RK73HB1J000J	MG RESISTOR	0Ω 1/16W J	1	
	R58	RK73HB1J000J	MG RESISTOR	0Ω 1/16W J	1	
	R62	RK73HB1J000J	MG RESISTOR	0Ω 1/16W J	1	
	R63	RK73HB1J000J	MG RESISTOR	0Ω 1/16W J	1	
	R100	RK73HB1J101J	MG RESISTOR	100Ω 1/16W J	1	
	R101	RK73HB1J101J	MG RESISTOR	100Ω 1/16W J	1	

MODEL	MARK
DNR876S	K1

Safe	Symbol No.	Parts No.	Parts Name	Description	QTY	Local
	R102	RK73HB1J101J	MG RESISTOR	100Ω 1/16W J	1	
	R103	RK73HB1J101J	MG RESISTOR	100Ω 1/16W J	1	
	R105	RK73HB1J101J	MG RESISTOR	100Ω 1/16W J	1	
	R106	RK73HB1J101J	MG RESISTOR	100Ω 1/16W J	1	
	R107	RK73HB1J101J	MG RESISTOR	100Ω 1/16W J	1	
	R108	RK73HB1J272J	MG RESISTOR	2.7kΩ 1/16W J	1	
	R109	RK73HB1J101J	MG RESISTOR	100Ω 1/16W J	1	
	R110	RK73HB1J101J	MG RESISTOR	100Ω 1/16W J	1	
	R111	RK73HB1J101J	MG RESISTOR	100Ω 1/16W J	1	
	R112	RK73HB1J123J	MG RESISTOR	12kΩ 1/16W J	1	
	R113	RK73HB1J101J	MG RESISTOR	100Ω 1/16W J	1	
	R114	RK73HB1J101J	MG RESISTOR	100Ω 1/16W J	1	
	R115	RK73HB1J101J	MG RESISTOR	100Ω 1/16W J	1	
	R116	RK73HB1J101J	MG RESISTOR	100Ω 1/16W J	1	
	R117	RK73HB1J101J	MG RESISTOR	100Ω 1/16W J	1	
	R120	RK73HB1J101J	MG RESISTOR	100Ω 1/16W J	1	
	R121	RK73HB1J272J	MG RESISTOR	2.7kΩ 1/16W J	1	
	R122	RK73HB1J101J	MG RESISTOR	100Ω 1/16W J	1	
	R123	RK73HB1J272J	MG RESISTOR	2.7kΩ 1/16W J	1	
	R125	RK73HB1J101J	MG RESISTOR	100Ω 1/16W J	1	
	R126	RK73HB1J103J	MG RESISTOR	10kΩ 1/16W J	1	
	R127	RK73HB1J102J	MG RESISTOR	1kΩ 1/16W J	1	
	R128	RK73HB1J101J	MG RESISTOR	100Ω 1/16W J	1	
	R129	RK73HB1J101J	MG RESISTOR	100Ω 1/16W J	1	
	R130	RK73HB1J101J	MG RESISTOR	100Ω 1/16W J	1	
	R131	RK73HB1J101J	MG RESISTOR	100Ω 1/16W J	1	
	R132	RK73HB1J101J	MG RESISTOR	100Ω 1/16W J	1	
	R133	RK73HB1J101J	MG RESISTOR	100Ω 1/16W J	1	
	R134	RK73HB1J101J	MG RESISTOR	100Ω 1/16W J	1	
	R135	RK73HB1J101J	MG RESISTOR	100Ω 1/16W J	1	
	R136	RK73HB1J103J	MG RESISTOR	10kΩ 1/16W J	1	
	R137	RK73HB1J103J	MG RESISTOR	10kΩ 1/16W J	1	
	R138	RK73HB1J101J	MG RESISTOR	100Ω 1/16W J	1	
	R139	RK73HB1J101J	MG RESISTOR	100Ω 1/16W J	1	
	R140	RK73HB1J101J	MG RESISTOR	100Ω 1/16W J	1	
	R141	RK73HB1J473J	MG RESISTOR	47kΩ 1/16W J	1	
	R142	RK73HB1J473J	MG RESISTOR	47kΩ 1/16W J	1	
	R143	RK73HB1J472J	MG RESISTOR	4.7kΩ 1/16W J	1	
	R144	RK73HB1J472J	MG RESISTOR	4.7kΩ 1/16W J	1	
	R145	RK73HB1J103J	MG RESISTOR	10kΩ 1/16W J	1	
	R146	RK73HB1J102J	MG RESISTOR	1kΩ 1/16W J	1	
	R147	RK73HB1J101J	MG RESISTOR	100Ω 1/16W J	1	
	R148	RK73HB1J101J	MG RESISTOR	100Ω 1/16W J	1	
	R149	RK73HB1J101J	MG RESISTOR	100Ω 1/16W J	1	
	R150	RK73HB1J101J	MG RESISTOR	100Ω 1/16W J	1	
	R151	RK73HB1J331J	MG RESISTOR	330Ω 1/16W J	1	
	R155	RK73HB1J473J	MG RESISTOR	47kΩ 1/16W J	1	
	R156	RK73HB1J473J	MG RESISTOR	47kΩ 1/16W J	1	
	R164	RK73HB1J000J	MG RESISTOR	0Ω 1/16W J	1	
	R165	RK73HB1J000J	MG RESISTOR	0Ω 1/16W J	1	
	R167	RK73HB1J000J	MG RESISTOR	0Ω 1/16W J	1	
	R200	RK73HB1J000J	MG RESISTOR	0Ω 1/16W J	1	
	R201	RK73HB1J102J	MG RESISTOR	1kΩ 1/16W J	1	
	R203	RK73GB2A511J	MG RESISTOR	510Ω 1/10W J	1	
	R204	RK73GB2A511J	MG RESISTOR	510Ω 1/10W J	1	
	R207	RK73HH1J104D	MG RESISTOR	100kΩ 1/16W D	1	
	R208	RK73HH1J563D	MG RESISTOR	56kΩ 1/16W D	1	
	R209	RK73HB1J000J	MG RESISTOR	0Ω 1/16W J	1	
	R210	RK73HH1J152D	MG RESISTOR	1.5kΩ 1/16W D	1	
	R211	RK73HH1J164D	MG RESISTOR	160kΩ 1/16W D	1	
	R212	RK73HH1J103D	MG RESISTOR	10kΩ 1/16W D	1	
	R213	RK73HB1J000J	MG RESISTOR	0Ω 1/16W J	1	
	R214	RK73HB1J101J	MG RESISTOR	100Ω 1/16W J	1	
	R215	RK73HH1J563D	MG RESISTOR	56kΩ 1/16W D	1	
	R216	RK73HB1J4R7J	MG RESISTOR	4.7Ω 1/16W J	1	
	R217	RK73HB1J000J	MG RESISTOR	0Ω 1/16W J	1	
	R218	RZ73F0AK33LJ	RESISTOR	0.033Ω 1/3W J	1	
	R219	RK73HB1J103J	MG RESISTOR	10kΩ 1/16W J	1	
	R220	RK73GH2A431D	MG RESISTOR	430Ω 1/10W D	1	
	R221	RK73GH2A431D	MG RESISTOR	430Ω 1/10W D	1	
	R222	RK73GH2A431D	MG RESISTOR	430Ω 1/10W D	1	
	R223	RK73HB1J000J	MG RESISTOR	0Ω 1/16W J	1	
	R224	RK73HB1J102J	MG RESISTOR	1kΩ 1/16W J	1	
	R225	RK73HB1J101J	MG RESISTOR	100Ω 1/16W J	1	
	R227	RK73GB2A511J	MG RESISTOR	510Ω 1/10W J	1	
	R228	RK73GB2A511J	MG RESISTOR	510Ω 1/10W J	1	
	R229	RK73GH2A431D	MG RESISTOR	430Ω 1/10W D	1	
	R230	RK73GH2A431D	MG RESISTOR	430Ω 1/10W D	1	
	R231	RK73HB1J473J	MG RESISTOR	47kΩ 1/16W J	1	
	R232	RK73HB1J473J	MG RESISTOR	47kΩ 1/16W J	1	
	R233	RK73GH2A681D	MG RESISTOR	680Ω 1/10W D	1	
	R234	RK73GH2A431D	MG RESISTOR	430Ω 1/10W D	1	
	R235	RK73HB1J101J	MG RESISTOR	100Ω 1/16W J	1	
	R236	RK73GB2A511J	MG RESISTOR	510Ω 1/10W J	1	
	R237	RK73GH2A431D	MG RESISTOR	430Ω 1/10W D	1	
	R238	RK73HB1J101J	MG RESISTOR	100Ω 1/16W J	1	
	R239	RK73HB1J101J	MG RESISTOR	100Ω 1/16W J	1	
	R240	RK73HB1J101J	MG RESISTOR	100Ω 1/16W J	1	
	R241	RK73GH2A681D	MG RESISTOR	680Ω 1/10W D	1	
	R242	RK73GH2A681D	MG RESISTOR	680Ω 1/10W D	1	
	R243	RK73HB1J101J	MG RESISTOR	100Ω 1/16W J	1	
	R244	RK73GH2A681D	MG RESISTOR	680Ω 1/10W D	1	

MODEL	MARK
DNR876S	K1

Safe	Symbol No.	Parts No.	Parts Name	Description	QTY	Local
R245		RK73GB2A511J	MG RESISTOR	510Ω 1/10W J	1	
R246		RZ73F0BS560J	RESISTOR	56Ω J	1	
R247		RK73HB1J102J	MG RESISTOR	1kΩ 1/16W J	1	
R248		RK73GH2A681D	MG RESISTOR	680Ω 1/10W D	1	
R249		RK73HB1J473J	MG RESISTOR	47kΩ 1/16W J	1	
R250		RK73HB1J101J	MG RESISTOR	100Ω 1/16W J	1	
R251		RK73GH2A681D	MG RESISTOR	680Ω 1/10W D	1	
R252		RK73GH2A681D	MG RESISTOR	680Ω 1/10W D	1	
R253		RK73GH2A431D	MG RESISTOR	430Ω 1/10W D	1	
R254		RK73HB1J101J	MG RESISTOR	100Ω 1/16W J	1	
R255		RK73GH2A681D	MG RESISTOR	680Ω 1/10W D	1	
R256		RK73HB1J473J	MG RESISTOR	47kΩ 1/16W J	1	
R257		RK73HB1J103J	MG RESISTOR	10kΩ 1/16W J	1	
R259		RK73FB2B000J	MG RESISTOR	0Ω 1/8W J	1	
R300		RK73HB1J104J	MG RESISTOR	100kΩ 1/16W J	1	
R301		RK73HB1J102J	MG RESISTOR	1kΩ 1/16W J	1	
R303		RK73HB1J103J	MG RESISTOR	10kΩ 1/16W J	1	
R307		RK73HH1J272D	MG RESISTOR	2.7kΩ 1/16W D	1	
R308		RK73HH1J103D	MG RESISTOR	10kΩ 1/16W D	1	
R309		RK73HB1J182J	MG RESISTOR	1.8kΩ 1/16W J	1	
R310		RK73HB1J104J	MG RESISTOR	100kΩ 1/16W J	1	
R312		RK73HH1J222D	MG RESISTOR	2.2kΩ 1/16W D	1	
R313		RK73HB1J104J	MG RESISTOR	100kΩ 1/16W J	1	
R314		RK73HB1J821J	MG RESISTOR	820Ω 1/16W J	1	
R315		RK73GB2A103J	MG RESISTOR	10kΩ 1/10W J	1	
R316		RK73GB2A103J	MG RESISTOR	10kΩ 1/10W J	1	
R317		RK73HB1J751J	MG RESISTOR	750Ω 1/16W J	1	
R318		RK73HB1J223J	MG RESISTOR	22kΩ 1/16W J	1	
R319		RK73HB1J333J	MG RESISTOR	33kΩ 1/16W J	1	
R320		RK73HB1J223J	MG RESISTOR	22kΩ 1/16W J	1	
R321		RK73HB1J000J	MG RESISTOR	0Ω 1/16W J	1	
R322		RK73HH1J823D	MG RESISTOR	82kΩ 1/16W D	1	
R323		RK73HH1J103D	MG RESISTOR	10kΩ 1/16W D	1	
R324		RK73HH1J271D	MG RESISTOR	270Ω 1/16W D	1	
R401		RK73HB1J472J	MG RESISTOR	4.7kΩ 1/16W J	1	
R402		RK73HB1J472J	MG RESISTOR	4.7kΩ 1/16W J	1	
R403		RK73HB1J102J	MG RESISTOR	1kΩ 1/16W J	1	
R404		RK73HH1J563D	MG RESISTOR	56kΩ 1/16W D	1	
R405		RK73HH1J273D	MG RESISTOR	27kΩ 1/16W D	1	
R407		RK73HH1J223D	MG RESISTOR	22kΩ 1/16W D	1	
R408		RK73HH1J682D	MG RESISTOR	6.8kΩ 1/16W D	1	
R409		RK73HH1J124D	MG RESISTOR	120kΩ 1/16W D	1	
R411		RK73HB1J331J	MG RESISTOR	330Ω 1/16W J	1	
R412		RK73EB2E392J	MG RESISTOR	3.9kΩ 1/4W J	1	
R413		RK73HH1J243D	MG RESISTOR	24kΩ 1/16W D	1	
R416		RK73HB1J101J	MG RESISTOR	100Ω 1/16W J	1	
R417		RK73HB1J101J	MG RESISTOR	100Ω 1/16W J	1	
R419		RK73HB1J102J	MG RESISTOR	1kΩ 1/16W J	1	
R421		RK73HB1J331J	MG RESISTOR	330Ω 1/16W J	1	
R426		RK73EB2E152J	MG RESISTOR	1.5kΩ 1/4W J	1	
R427		RK73HB1J472J	MG RESISTOR	4.7kΩ 1/16W J	1	
R428		RK73HH1J561D	MG RESISTOR	560Ω 1/16W D	1	
R481		RK73HB1J000J	MG RESISTOR	0Ω 1/16W J	1	
R483		RK73HB1J000J	MG RESISTOR	0Ω 1/16W J	1	
R484		RK73HB1J000J	MG RESISTOR	0Ω 1/16W J	1	
R485		RK73HB1J000J	MG RESISTOR	0Ω 1/16W J	1	
R486		RK73HB1J000J	MG RESISTOR	0Ω 1/16W J	1	
R487		RK73HB1J000J	MG RESISTOR	0Ω 1/16W J	1	
R488		RK73HB1J000J	MG RESISTOR	0Ω 1/16W J	1	
R489		RK73HB1J000J	MG RESISTOR	0Ω 1/16W J	1	
R490		RK73HB1J000J	MG RESISTOR	0Ω 1/16W J	1	
R491		RK73HB1J000J	MG RESISTOR	0Ω 1/16W J	1	
R492		RK73HB1J000J	MG RESISTOR	0Ω 1/16W J	1	
R493		RK73HB1J000J	MG RESISTOR	0Ω 1/16W J	1	
R494		RK73HB1J000J	MG RESISTOR	0Ω 1/16W J	1	
R495		RK73HB1J000J	MG RESISTOR	0Ω 1/16W J	1	
R496		RK73HB1J000J	MG RESISTOR	0Ω 1/16W J	1	
R497		RK73HB1J000J	MG RESISTOR	0Ω 1/16W J	1	
R498		RK73HB1J000J	MG RESISTOR	0Ω 1/16W J	1	
R499		RK73HB1J000J	MG RESISTOR	0Ω 1/16W J	1	
R500		RK73HB1J000J	MG RESISTOR	0Ω 1/16W J	1	
R501		RK73HB1J000J	MG RESISTOR	0Ω 1/16W J	1	
R517		RK73GH2A220D	MG RESISTOR	22Ω 1/10W D	1	
R518		RK73GH2A100D	MG RESISTOR	10Ω 1/10W D	1	
R519		RK73GH2A220D	MG RESISTOR	22Ω 1/10W D	1	
R520		RK73GH2A100D	MG RESISTOR	10Ω 1/10W D	1	
R521		RK73HB1J222J	MG RESISTOR	2.2kΩ 1/16W J	1	
R522		RK73HB1J222J	MG RESISTOR	2.2kΩ 1/16W J	1	
R523		RK73HB1J473J	MG RESISTOR	47kΩ 1/16W J	1	
R524		RK73HB1J473J	MG RESISTOR	47kΩ 1/16W J	1	
R525		RK73HB1J222J	MG RESISTOR	2.2kΩ 1/16W J	1	
R526		RK73HB1J222J	MG RESISTOR	2.2kΩ 1/16W J	1	
R527		RK73HB1J473J	MG RESISTOR	47kΩ 1/16W J	1	
R528		RK73HB1J473J	MG RESISTOR	47kΩ 1/16W J	1	
R529		RK73HB1J103J	MG RESISTOR	10kΩ 1/16W J	1	
R530		RK73HB1J102J	MG RESISTOR	1kΩ 1/16W J	1	
R531		RK73HH1J621D	MG RESISTOR	620Ω 1/16W D	1	
R532		RK73GB2A101J	MG RESISTOR	100Ω 1/10W J	1	
R533		RK73GB2A101J	MG RESISTOR	100Ω 1/10W J	1	
R534		RK73GB2A101J	MG RESISTOR	100Ω 1/10W J	1	
R535		RK73GB2A101J	MG RESISTOR	100Ω 1/10W J	1	
R536		RK73GB2A224J	MG RESISTOR	220kΩ 1/10W J	1	
R600		RK73GB2A100J	MG RESISTOR	10Ω 1/10W J	1	

MODEL	MARK
DNR876S	K1

Safe	Symbol No.	Parts No.	Parts Name	Description	QTY	Local
	R601	RK73GB2A100J	MG RESISTOR	10Ω 1/10W J	1	
	R603	RK73HB1J473J	MG RESISTOR	47kΩ 1/16W J	1	
	R604	RK73HB1J473J	MG RESISTOR	47kΩ 1/16W J	1	
	R605	RK73HB1J473J	MG RESISTOR	47kΩ 1/16W J	1	
	R606	RK73GB2A100J	MG RESISTOR	10Ω 1/10W J	1	
	R607	RK73GB2A100J	MG RESISTOR	10Ω 1/10W J	1	
	R608	RK73GB2A101J	MG RESISTOR	100Ω 1/10W J	1	
	R612	RK73GB2A100J	MG RESISTOR	10Ω 1/10W J	1	
	R613	RK73GB2A221J	MG RESISTOR	220Ω 1/10W J	1	
	R614	RK73HH1J301D	MG RESISTOR	300Ω 1/16W D	1	
	R615	RK73HH1J301D	MG RESISTOR	300Ω 1/16W D	1	
	R616	RK73HH1J301D	MG RESISTOR	300Ω 1/16W D	1	
	R617	RK73HB1J101J	MG RESISTOR	100Ω 1/16W J	1	
	R618	RK73HB1J101J	MG RESISTOR	100Ω 1/16W J	1	
	R619	RK73HB1J101J	MG RESISTOR	100Ω 1/16W J	1	
	R620	RK73GB2A100J	MG RESISTOR	10Ω 1/10W J	1	
	R622	RK73GB2A100J	MG RESISTOR	10Ω 1/10W J	1	
	R623	RK73HB1J000J	MG RESISTOR	0Ω 1/16W J	1	
	R625	RK73GB2A000J	MG RESISTOR	0Ω 1/10W J	1	
	R628	RK73HB1J104J	MG RESISTOR	100kΩ 1/16W J	1	
	R629	RK73HB1J104J	MG RESISTOR	100kΩ 1/16W J	1	
	R660	RK73GB2A101J	MG RESISTOR	100Ω 1/10W J	1	
	R661	RK73GB2A391J	MG RESISTOR	390Ω 1/10W J	1	
	R662	RK73GB2A101J	MG RESISTOR	100Ω 1/10W J	1	
	R722	RK73GB2A000J	MG RESISTOR	0Ω 1/10W J	1	
	L100	LB73G0EA-002	CHIP FERRITE		1	
	L200	LR7920FB220M	CHIP INDUCTOR		1	
	L201	LB73E0FU-004	CHIP FERRITE		1	
	L404	LB73G0FV-003	CHIP FERRITE		1	
	L501	LR73Z0AC100K	CHIP INDUCTOR		1	
	L600	LB73G0EA-001	CHIP FERRITE		1	
	L602	LB73G0EA-002	CHIP FERRITE		1	
	CN1	EC720AB-0570A	FFC FPC CONNE		1	
	CN100	EC720AT-0510A	FFC FPC CONNE		1	
	CN200	EC720BK-0510B	FFC FPC CONNE		1	
	CN400	EC720BK-0560B	FFC FPC CONNE		1	
	CN500	EC720AX-1004A	FFC FPC CONNE		1	
	CN600	EC720AA-0522A	FFC FPC CONNE		1	
	VA500	EZJP0270EA	VARIISTOR		1	
	VA501	EZJP0270EA	VARIISTOR		1	
	VA502	EZJP0270EA	VARIISTOR		1	
	VA503	EZJP0270EA	VARIISTOR		1	
	VA600	EZJP0270EA	VARIISTOR		1	
	VA601	EZJP0270EA	VARIISTOR		1	
	VA602	EZJP0080MA	VARIISTOR		1	
	VA603	EZJP0080MA	VARIISTOR		1	
	VA604	EZJP0080MA	VARIISTOR		1	
	DIGITAL IO PWB ASSY(XJA-067K-00) <XJA>					
	IC501	TCC8974F-0AX1	MPU IC	BGA	1	
	IC502	RA8900CEUB	ANALOG IC		1	
	IC503	-----	ROM IC	NO SERVICE PART	1	
	IC525	-----	ROM IC	NO SERVICE PART	1	
	IC531	H5TQ463EFRRDI	DRAM IC	BGA	1	
	IC532	H5TQ463EFRRDI	DRAM IC	BGA	1	
	IC541	ML86251LAZ07F	MOS IC	BGA	1	
	IC542	SN74TVC3010PW	ANALOG IC		1	
	IC544	TC7SH08FUJC	MOS IC		1	
	IC546	LSF0102DCU	ANALOG IC		1	
	IC551	SN74LVCU04APW	MOS IC		1	
	IC552	SN74LVCU04APW	MOS IC		1	
	IC553	SN74LVCU04APW	MOS IC		1	
	IC554	SN74AVC4T245S	MOS IC		1	
	IC555	SN74AVC4T245S	MOS IC		1	
	IC556	TC7SZ00FUJC	MOS IC		1	
	IC563	MFI337S395901	MCU IC		1	
	IC571	TPS2543RTE	MOS IC		1	
	IC573	CYUSB230268LI	MOS IC		1	
	IC574	XC6223B121P-G	ANALOG IC		1	
	IC591	MP9943AGQ	ANALOG IC		1	
	IC592	MP9943AGQ	ANALOG IC		1	
	IC593	BD33KA5WFP	MOS IC		1	
	IC594	TC7SH08FUJC	MOS IC		1	
	IC595	XC6223D181P-G	ANALOG IC		1	
	IC596	BD00IC0EEFJ-M	ANALOG IC		1	
	IC597	BD15KA5WFP	MOS IC		1	
	IC601	MP9943AGQ	ANALOG IC		1	
	IC602	MP9942AGJ	ANALOG IC		1	
	IC631	NJM2561F1	BIPOLAR IC		1	
	IC801	RP108J081B-AE	MOS IC		1	
	IC802	MM3411A18NE	ANALOG IC		1	
	Q551	RE1C002ZP	FET		1	
	Q5401	LSCR523EBFS8	TRANSISTOR		1	
	Q5402	LSCR523EBFS8	TRANSISTOR		1	
	Q5403	LSCR523EBFS8	TRANSISTOR		1	
	Q5404	LSCR523EBFS8	TRANSISTOR		1	
	Q5603	LTC014YEBFS8	DIGI TRANSISTOR		1	
	Q5604	LTC014YEBFS8	DIGI TRANSISTOR		1	
	Q5605	LTC014YEBFS8	DIGI TRANSISTOR		1	
	Q5606	LTC014YEBFS8	DIGI TRANSISTOR		1	
	Q5607	LSAR523EBFS8	TRANSISTOR		1	
	Q5608	2SC4617EB/QR/	TRANSISTOR		1	

MODEL	MARK
DNR876S	K1

Safe	Symbol No.	Parts No.	Parts Name	Description	QTY	Local
	C5096	CK73JXR1C104K	C CAPACITOR	0.1uF 16V K	1	
	C5097	CK73JXR1C104K	C CAPACITOR	0.1uF 16V K	1	
	C5098	CK73JXR1C104K	C CAPACITOR	0.1uF 16V K	1	
	C5099	CK73JXR1C104K	C CAPACITOR	0.1uF 16V K	1	
	C5100	CK73JXR1C104K	C CAPACITOR	0.1uF 16V K	1	
	C5101	CK73JXR1C104K	C CAPACITOR	0.1uF 16V K	1	
	C5102	CK73JXR1C104K	C CAPACITOR	0.1uF 16V K	1	
	C5103	CK73JXR1C104K	C CAPACITOR	0.1uF 16V K	1	
	C5104	CK73JXR1C104K	C CAPACITOR	0.1uF 16V K	1	
	C5105	CK73JXR1C104K	C CAPACITOR	0.1uF 16V K	1	
	C5106	CK73JXR1C104K	C CAPACITOR	0.1uF 16V K	1	
	C5107	CK73JXR1C104K	C CAPACITOR	0.1uF 16V K	1	
	C5108	CK73JXR1C104K	C CAPACITOR	0.1uF 16V K	1	
	C5109	CK73JXR1C104K	C CAPACITOR	0.1uF 16V K	1	
	C5110	CK73JXR1C104K	C CAPACITOR	0.1uF 16V K	1	
	C5111	CK73JXR1C104K	C CAPACITOR	0.1uF 16V K	1	
	C5112	CK73JXR1C104K	C CAPACITOR	0.1uF 16V K	1	
	C5113	CK73JXR1C104K	C CAPACITOR	0.1uF 16V K	1	
	C5114	CK73JXR1C104K	C CAPACITOR	0.1uF 16V K	1	
	C5115	CK73JXR1C104K	C CAPACITOR	0.1uF 16V K	1	
	C5116	CK73JXR1C104K	C CAPACITOR	0.1uF 16V K	1	
	C5117	CK73JXR1C104K	C CAPACITOR	0.1uF 16V K	1	
	C5118	CK73JXR1C104K	C CAPACITOR	0.1uF 16V K	1	
	C5119	CK73JXR1C104K	C CAPACITOR	0.1uF 16V K	1	
	C5120	CK73JXR1C104K	C CAPACITOR	0.1uF 16V K	1	
	C5121	CK73JXR1C104K	C CAPACITOR	0.1uF 16V K	1	
	C5122	CK73JXR1C104K	C CAPACITOR	0.1uF 16V K	1	
	C5123	CK73JXR1C104K	C CAPACITOR	0.1uF 16V K	1	
	C5124	CK73JXR1C104K	C CAPACITOR	0.1uF 16V K	1	
	C5126	CS77FBK0J101M	TA E CAPACITOR	100uF 6.3V M	1	
	C5128	CS77FBK0J101M	TA E CAPACITOR	100uF 6.3V M	1	
	C5130	CK73JXR1C104K	C CAPACITOR	0.1uF 16V K	1	
	C5132	CS77FBK0J101M	TA E CAPACITOR	100uF 6.3V M	1	
	C5133	CK73JXR1C104K	C CAPACITOR	0.1uF 16V K	1	
	C5134	CK73JXR1C104K	C CAPACITOR	0.1uF 16V K	1	
	C5201	CS77FBK0J101M	TA E CAPACITOR	100uF 6.3V M	1	
	C5202	CK73JXR1H102K	C CAPACITOR	1000pF 50V K	1	
	C5203	CK73JXR1C104K	C CAPACITOR	0.1uF 16V K	1	
	C5204	CK73JXR1C104K	C CAPACITOR	0.1uF 16V K	1	
	C5251	CK73FXR1C106K	C CAPACITOR	10uF 16V K	1	
	C5252	CK73FXR1C106K	C CAPACITOR	10uF 16V K	1	
	C5253	CK73JXR1C104K	C CAPACITOR	0.1uF 16V K	1	
	C5255	CK73JXR1C104K	C CAPACITOR	0.1uF 16V K	1	
	C5259	CK73JXR1C104K	C CAPACITOR	0.1uF 16V K	1	
	C5263	CK73FXR1C106K	C CAPACITOR	10uF 16V K	1	
	C5269	CK73FXR1C106K	C CAPACITOR	10uF 16V K	1	
	C5301	CS77FBK0J101M	TA E CAPACITOR	100uF 6.3V M	1	
	C5302	CC73JCH1H121J	C CAPACITOR	120pF 50V J	1	
	C5303	CK73JXR1C104K	C CAPACITOR	0.1uF 16V K	1	
	C5304	CC73JCH1H121J	C CAPACITOR	120pF 50V J	1	
	C5305	CK73JXR1C104K	C CAPACITOR	0.1uF 16V K	1	
	C5306	CC73JCH1H121J	C CAPACITOR	120pF 50V J	1	
	C5307	CK73JXR1C104K	C CAPACITOR	0.1uF 16V K	1	
	C5308	CC73JCH1H121J	C CAPACITOR	120pF 50V J	1	
	C5309	CK73JXR1C104K	C CAPACITOR	0.1uF 16V K	1	
	C5311	CK73JXR1C104K	C CAPACITOR	0.1uF 16V K	1	
	C5312	CC73JCH1H121J	C CAPACITOR	120pF 50V J	1	
	C5313	CK73JXR1C104K	C CAPACITOR	0.1uF 16V K	1	
	C5314	CC73JCH1H121J	C CAPACITOR	120pF 50V J	1	
	C5315	CK73JXR1C104K	C CAPACITOR	0.1uF 16V K	1	
	C5316	CC73JCH1H121J	C CAPACITOR	120pF 50V J	1	
	C5317	CC73JCH1H121J	C CAPACITOR	120pF 50V J	1	
	C5318	CK73JXR1C104K	C CAPACITOR	0.1uF 16V K	1	
	C5319	CK73JXR1C104K	C CAPACITOR	0.1uF 16V K	1	
	C5320	CC73JCH1H121J	C CAPACITOR	120pF 50V J	1	
	C5321	CC73JCH1H121J	C CAPACITOR	120pF 50V J	1	
	C5322	CK73JXR1C104K	C CAPACITOR	0.1uF 16V K	1	
	C5323	CK73JXR1C104K	C CAPACITOR	0.1uF 16V K	1	
	C5324	CK73JXR1C104K	C CAPACITOR	0.1uF 16V K	1	
	C5325	CK73JXR1C104K	C CAPACITOR	0.1uF 16V K	1	
	C5326	CK73JXR1C104K	C CAPACITOR	0.1uF 16V K	1	
	C5327	CK73JXR1C104K	C CAPACITOR	0.1uF 16V K	1	
	C5328	CK73JXR1C104K	C CAPACITOR	0.1uF 16V K	1	
	C5329	CK73JXR1C104K	C CAPACITOR	0.1uF 16V K	1	
	C5330	CC73JCH1H121J	C CAPACITOR	120pF 50V J	1	
	C5331	CK73JXR1C104K	C CAPACITOR	0.1uF 16V K	1	
	C5332	CC73JCH1H121J	C CAPACITOR	120pF 50V J	1	
	C5333	CK73JXR1C104K	C CAPACITOR	0.1uF 16V K	1	
	C5334	CC73JCH1H121J	C CAPACITOR	120pF 50V J	1	
	C5335	CK73JXR1C104K	C CAPACITOR	0.1uF 16V K	1	
	C5336	CC73JCH1H121J	C CAPACITOR	120pF 50V J	1	
	C5337	CK73JXR1C104K	C CAPACITOR	0.1uF 16V K	1	
	C5338	CC73JCH1H121J	C CAPACITOR	120pF 50V J	1	
	C5339	CK73JXR1C104K	C CAPACITOR	0.1uF 16V K	1	
	C5340	CC73JCH1H121J	C CAPACITOR	120pF 50V J	1	
	C5341	CK73JXR1C104K	C CAPACITOR	0.1uF 16V K	1	
	C5342	CC73JCH1H121J	C CAPACITOR	120pF 50V J	1	
	C5343	CK73JXR1C104K	C CAPACITOR	0.1uF 16V K	1	
	C5344	CC73JCH1H121J	C CAPACITOR	120pF 50V J	1	
	C5345	CK73JXR1C104K	C CAPACITOR	0.1uF 16V K	1	
	C5346	CC73JCH1H121J	C CAPACITOR	120pF 50V J	1	
	C5347	CK73JXR1C104K	C CAPACITOR	0.1uF 16V K	1	

MODEL	MARK
DNR876S	K1

Safe	Symbol No.	Parts No.	Parts Name	Description	QTY	Local
	C5348	CC73JCH1H121J	C CAPACITOR	120pF 50V J	1	
	C5349	CC73JCH1H121J	C CAPACITOR	120pF 50V J	1	
	C5350	CC73JCH1H121J	C CAPACITOR	120pF 50V J	1	
	C5351	CC73JCH1H121J	C CAPACITOR	120pF 50V J	1	
	C5352	CK73JXR1C104K	C CAPACITOR	0.1uF 16V K	1	
	C5353	CC73JCH1H121J	C CAPACITOR	120pF 50V J	1	
	C5354	CK73JXR1C104K	C CAPACITOR	0.1uF 16V K	1	
	C5355	CC73JCH1H121J	C CAPACITOR	120pF 50V J	1	
	C5356	CK73JXR1C104K	C CAPACITOR	0.1uF 16V K	1	
	C5357	CC73JCH1H121J	C CAPACITOR	120pF 50V J	1	
	C5358	CK73JXR1C104K	C CAPACITOR	0.1uF 16V K	1	
	C5359	CK73JXR1C104K	C CAPACITOR	0.1uF 16V K	1	
	C5360	CK73JXR1C104K	C CAPACITOR	0.1uF 16V K	1	
	C5361	CK73JXR1C104K	C CAPACITOR	0.1uF 16V K	1	
	C5362	CK73JXR1C104K	C CAPACITOR	0.1uF 16V K	1	
	C5363	CK73JXR1C104K	C CAPACITOR	0.1uF 16V K	1	
	C5364	CK73JXR1C104K	C CAPACITOR	0.1uF 16V K	1	
	C5365	CC73JCH1H121J	C CAPACITOR	120pF 50V J	1	
	C5366	CK73JXR1C104K	C CAPACITOR	0.1uF 16V K	1	
	C5367	CC73JCH1H121J	C CAPACITOR	120pF 50V J	1	
	C5368	CK73JXR1C104K	C CAPACITOR	0.1uF 16V K	1	
	C5369	CC73JCH1H121J	C CAPACITOR	120pF 50V J	1	
	C5370	CC73JCH1H121J	C CAPACITOR	120pF 50V J	1	
	C5372	CK73JXR1C104K	C CAPACITOR	0.1uF 16V K	1	
	C5373	CC73JCH1H121J	C CAPACITOR	120pF 50V J	1	
	C5374	CK73JXR1C104K	C CAPACITOR	0.1uF 16V K	1	
	C5375	CC73JCH1H121J	C CAPACITOR	120pF 50V J	1	
	C5376	CK73JXR1C104K	C CAPACITOR	0.1uF 16V K	1	
	C5377	CC73JCH1H121J	C CAPACITOR	120pF 50V J	1	
	C5378	CK73JXR1C104K	C CAPACITOR	0.1uF 16V K	1	
	C5379	CC73JCH1H121J	C CAPACITOR	120pF 50V J	1	
	C5380	CK73JXR1C104K	C CAPACITOR	0.1uF 16V K	1	
	C5381	CC73JCH1H121J	C CAPACITOR	120pF 50V J	1	
	C5382	CC73JCH1H121J	C CAPACITOR	120pF 50V J	1	
	C5383	CK73JXR1C104K	C CAPACITOR	0.1uF 16V K	1	
	C5385	CK73JXR1H102K	C CAPACITOR	1000pF 50V K	1	
	C5401	CC73JCH1H221J	C CAPACITOR	220pF 50V J	1	
	C5461	CK73JXR1C104K	C CAPACITOR	0.1uF 16V K	1	
	C5462	CK73JXR1C104K	C CAPACITOR	0.1uF 16V K	1	
	C5472	CK73JXR1C104K	C CAPACITOR	0.1uF 16V K	1	
	C5475	CC73JCH1H221J	C CAPACITOR	220pF 50V J	1	
	C5479	CK73JXR1C104K	C CAPACITOR	0.1uF 16V K	1	
	C5480	CK73JXR1C104K	C CAPACITOR	0.1uF 16V K	1	
	C5481	CK73JXR1C104K	C CAPACITOR	0.1uF 16V K	1	
	C5482	CK73JXR1C104K	C CAPACITOR	0.1uF 16V K	1	
	C5484	CK73JXR1C104K	C CAPACITOR	0.1uF 16V K	1	
	C5485	CK73JXR1C104K	C CAPACITOR	0.1uF 16V K	1	
	C5486	CK73JXR1C104K	C CAPACITOR	0.1uF 16V K	1	
	C5487	CK73JXR1C104K	C CAPACITOR	0.1uF 16V K	1	
	C5488	CK73JXR1C104K	C CAPACITOR	0.1uF 16V K	1	
	C5489	CK73JXR1C104K	C CAPACITOR	0.1uF 16V K	1	
	C5490	CK73JXR1C104K	C CAPACITOR	0.1uF 16V K	1	
	C5491	CK73FXR1C106K	C CAPACITOR	10uF 16V K	1	
	C5493	CK73FXR1C106K	C CAPACITOR	10uF 16V K	1	
	C5494	CK73GXR0J106M	C CAPACITOR	10uF 6.3V M	1	
	C5495	CK73GXR0J106M	C CAPACITOR	10uF 6.3V M	1	
	C5496	CK73FXR1C106K	C CAPACITOR	10uF 16V K	1	
	C5497	CK73GXR0J106M	C CAPACITOR	10uF 6.3V M	1	
	C5498	CK73FXR1C106K	C CAPACITOR	10uF 16V K	1	
	C5499	CK73GXR0J106M	C CAPACITOR	10uF 6.3V M	1	
	C5500	CK73JXR1H103K	C CAPACITOR	0.01uF 50V K	1	
	C5501	CK73JXR1H103K	C CAPACITOR	0.01uF 50V K	1	
	C5502	CK73JXR1H103K	C CAPACITOR	0.01uF 50V K	1	
	C5503	CK73JXR1H103K	C CAPACITOR	0.01uF 50V K	1	
	C5504	CK73JXR1H102K	C CAPACITOR	1000pF 50V K	1	
	C5505	CK73JXR1H102K	C CAPACITOR	1000pF 50V K	1	
	C5506	CK73JXR1H102K	C CAPACITOR	1000pF 50V K	1	
	C5507	CK73HXR1C105K	C CAPACITOR	1uF 16V K	1	
	C5508	CK73HXR1C105K	C CAPACITOR	1uF 16V K	1	
	C5509	CK73HXR1C105K	C CAPACITOR	1uF 16V K	1	
	C5510	CK73HXR1C105K	C CAPACITOR	1uF 16V K	1	
	C5511	CC73JCH1H100D	C CAPACITOR	10pF 50V D	1	
	C5512	CC73JCH1H120J	C CAPACITOR	12pF 50V J	1	
	C5513	CK73HXR1C105K	C CAPACITOR	1uF 16V K	1	
	C5514	CK73HXR1C105K	C CAPACITOR	1uF 16V K	1	
	C5515	CK73HXR1C105K	C CAPACITOR	1uF 16V K	1	
	C5516	CK73GXR0J106M	C CAPACITOR	10uF 6.3V M	1	
	C5517	CK73GXR0J106M	C CAPACITOR	10uF 6.3V M	1	
	C5518	CK73FXR1C106K	C CAPACITOR	10uF 16V K	1	
	C5519	CK73FXR1C106K	C CAPACITOR	10uF 16V K	1	
	C5521	CK73HXR1C105K	C CAPACITOR	1uF 16V K	1	
	C5523	CK73HXR1C105K	C CAPACITOR	1uF 16V K	1	
	C5524	CK73HXR1C105K	C CAPACITOR	1uF 16V K	1	
	C5531	CK73FXR1C106K	C CAPACITOR	10uF 16V K	1	
	C5532	CK73JXR1C104K	C CAPACITOR	0.1uF 16V K	1	
	C5534	CK73HXR1C105K	C CAPACITOR	1uF 16V K	1	
	C5535	CK73HXR1C105K	C CAPACITOR	1uF 16V K	1	
	C5536	CK73HXR1C105K	C CAPACITOR	1uF 16V K	1	
	C5537	CK73HXR1C105K	C CAPACITOR	1uF 16V K	1	
	C5538	CK73FXR1C106K	C CAPACITOR	10uF 16V K	1	
	C5539	CK73JXR1C104K	C CAPACITOR	0.1uF 16V K	1	
	C5541	CK73JXR1C104K	C CAPACITOR	0.1uF 16V K	1	

MODEL	MARK
DNR876S	K1

Safe	Symbol No.	Parts No.	Parts Name	Description	QTY	Local
	C5542	CK73JXR1C104K	C CAPACITOR	0.1uF 16V K	1	
	C5543	CK73JXR1C104K	C CAPACITOR	0.1uF 16V K	1	
	C5544	CK73JXR1C104K	C CAPACITOR	0.1uF 16V K	1	
	C5545	CK73JXR1C104K	C CAPACITOR	0.1uF 16V K	1	
	C5546	CK73HXR1C105K	C CAPACITOR	1uF 16V K	1	
	C5547	CK73JXR1C104K	C CAPACITOR	0.1uF 16V K	1	
	C5548	CK73JXR1C104K	C CAPACITOR	0.1uF 16V K	1	
	C5549	CK73HXR1C105K	C CAPACITOR	1uF 16V K	1	
	C5550	CK73JXR1C104K	C CAPACITOR	0.1uF 16V K	1	
	C5551	CK73JXR1C104K	C CAPACITOR	0.1uF 16V K	1	
	C5552	CK73JXR1C104K	C CAPACITOR	0.1uF 16V K	1	
	C5553	CK73JXR1C104K	C CAPACITOR	0.1uF 16V K	1	
	C5632	CK73JXR1C104K	C CAPACITOR	0.1uF 16V K	1	
	C5701	CK73JXR1C104K	C CAPACITOR	0.1uF 16V K	1	
	C5704	CC73JCH1H080C	C CAPACITOR	8pF 50V C	1	
	C5705	CC73JCH1H080C	C CAPACITOR	8pF 50V C	1	
	C5710	CK73JXR1C104K	C CAPACITOR	0.1uF 16V K	1	
	C5711	CK73JXR1C104K	C CAPACITOR	0.1uF 16V K	1	
	C5712	CK73JXR1C104K	C CAPACITOR	0.1uF 16V K	1	
	C5713	CK73JXR1C104K	C CAPACITOR	0.1uF 16V K	1	
	C5714	CK73JXR1C104K	C CAPACITOR	0.1uF 16V K	1	
	C5715	CK73JXR1C104K	C CAPACITOR	0.1uF 16V K	1	
	C5716	CK73JXR1C104K	C CAPACITOR	0.1uF 16V K	1	
	C5717	CK73JXR1C104K	C CAPACITOR	0.1uF 16V K	1	
	C5718	CK73JXR1C104K	C CAPACITOR	0.1uF 16V K	1	
	C5719	CK73JXR1C104K	C CAPACITOR	0.1uF 16V K	1	
	C5720	CK73JXR1C104K	C CAPACITOR	0.1uF 16V K	1	
	C5721	CK73JXR1C104K	C CAPACITOR	0.1uF 16V K	1	
	C5722	CK73JXR1C104K	C CAPACITOR	0.1uF 16V K	1	
	C5723	CK73JXR1C104K	C CAPACITOR	0.1uF 16V K	1	
	C5724	CK73JXR1C104K	C CAPACITOR	0.1uF 16V K	1	
	C5725	CK73JXR1C104K	C CAPACITOR	0.1uF 16V K	1	
	C5726	CK73JXR1C104K	C CAPACITOR	0.1uF 16V K	1	
	C5727	CK73JXR1C104K	C CAPACITOR	0.1uF 16V K	1	
	C5728	CK73JXR1C104K	C CAPACITOR	0.1uF 16V K	1	
	C5729	CK73JXR1C104K	C CAPACITOR	0.1uF 16V K	1	
	C5730	CK73FXR1C106K	C CAPACITOR	10uF 16V K	1	
	C5731	CK73FXR1C106K	C CAPACITOR	10uF 16V K	1	
	C5732	CK73JXR1H102K	C CAPACITOR	1000pF 50V K	1	
	C5740	CK73FXR1C106K	C CAPACITOR	10uF 16V K	1	
	C5741	CK73FXR1C106K	C CAPACITOR	10uF 16V K	1	
	C5801	CK73HXR1H102K	C CAPACITOR	1000pF 50V K	1	
	C5903	CK73EXR1E106K	C CAPACITOR	10uF 25V K	1	
	C5904	CK73EXR1E106K	C CAPACITOR	10uF 25V K	1	
	C5905	CK73GXR1E224K	C CAPACITOR	0.22uF 25V K	1	
	C5907	CK73HXR1H104K	C CAPACITOR	0.1uF 50V K	1	
	C5908	CK73HXR1H104K	C CAPACITOR	0.1uF 50V K	1	
	C5910	CC73HCH1H101J	C CAPACITOR	100pF 50V J	1	
	C5911	CK73EXR0J476M	C CAPACITOR	47uF 6.3V M	1	
	C5912	CK73EXR0J476M	C CAPACITOR	47uF 6.3V M	1	
	C5913	CC73JCH1H221J	C CAPACITOR	220pF 50V J	1	
	C5916	CK73EXR1E106K	C CAPACITOR	10uF 25V K	1	
	C5917	CK73EXR1E106K	C CAPACITOR	10uF 25V K	1	
	C5918	CK73GXR1E224K	C CAPACITOR	0.22uF 25V K	1	
	C5920	CK73HXR1H104K	C CAPACITOR	0.1uF 50V K	1	
	C5921	CK73HXR1H104K	C CAPACITOR	0.1uF 50V K	1	
	C5923	CC73JCH1H470J	C CAPACITOR	47pF 50V J	1	
	C5924	CK73EXR0J476M	C CAPACITOR	47uF 6.3V M	1	
	C5925	CK73EXR0J476M	C CAPACITOR	47uF 6.3V M	1	
	C5926	CC73JCH1H221J	C CAPACITOR	220pF 50V J	1	
	C5927	CK73FXR1C106K	C CAPACITOR	10uF 16V K	1	
	C5928	CK73FXR1C106K	C CAPACITOR	10uF 16V K	1	
	C5933	CK73HXR1C105K	C CAPACITOR	1uF 16V K	1	
	C5934	CK73HXR1C105K	C CAPACITOR	1uF 16V K	1	
	C5936	CK73FXR1C106K	C CAPACITOR	10uF 16V K	1	
	C5937	CK73FXR1C106K	C CAPACITOR	10uF 16V K	1	
	C5938	CK73FXR1C106K	C CAPACITOR	10uF 16V K	1	
	C5939	CK73FXR1C106K	C CAPACITOR	10uF 16V K	1	
	C5940	CK73FXR1C106K	C CAPACITOR	10uF 16V K	1	
	C5941	CK73FXR1C106K	C CAPACITOR	10uF 16V K	1	
	C5951	CK73JXR1C104K	C CAPACITOR	0.1uF 16V K	1	
	C5961	CC73JCH1H220J	C CAPACITOR	22pF 50V J	1	
	C5972	CK73EXR1E106K	C CAPACITOR	10uF 25V K	1	
	C5973	CK73EXR1E106K	C CAPACITOR	10uF 25V K	1	
	C5974	CK73GXR1E224K	C CAPACITOR	0.22uF 25V K	1	
	C5975	CK73HXR1H104K	C CAPACITOR	0.1uF 50V K	1	
	C5976	CK73HXR1H104K	C CAPACITOR	0.1uF 50V K	1	
	C5979	CC73JCH1H560J	C CAPACITOR	56pF 50V J	1	
	C5980	CK73EXR0J476M	C CAPACITOR	47uF 6.3V M	1	
	C5981	CK73EXR0J476M	C CAPACITOR	47uF 6.3V M	1	
	C5982	CC73JCH1H221J	C CAPACITOR	220pF 50V J	1	
	C6020	CC73HCH1H470J	C CAPACITOR	47pF 50V J	1	
	C6025	CC73JCH1H221J	C CAPACITOR	220pF 50V J	1	
	C6026	CK73FXR1C106K	C CAPACITOR	10uF 16V K	1	
	C6027	CC73JCH1H221J	C CAPACITOR	220pF 50V J	1	
	C6028	CK73JXR1C104K	C CAPACITOR	0.1uF 16V K	1	
	C6029	CK73JXR1H103K	C CAPACITOR	0.01uF 50V K	1	
	C6030	CK73JXR1C104K	C CAPACITOR	0.1uF 16V K	1	
	C6032	CC73HCH1H470J	C CAPACITOR	47pF 50V J	1	
	C6203	CK73EXR1E106K	C CAPACITOR	10uF 25V K	1	
	C6204	CK73EXR1E106K	C CAPACITOR	10uF 25V K	1	
	C6205	CK73GXR1E224K	C CAPACITOR	0.22uF 25V K	1	
	C6206	CK73HXR1H104K	C CAPACITOR	0.1uF 50V K	1	

MODEL	MARK
DNR876S	K1

Safe	Symbol No.	Parts No.	Parts Name	Description	QTY	Local
	C6207	CK73HXR1H104K	C CAPACITOR	0.1uF 50V K	1	
	C6210	CC73JCH1H560J	C CAPACITOR	56pF 50V J	1	
	C6211	CK73EXR1A476K	C CAPACITOR	47uF 10V K	1	
	C6212	CK73EXR1A476K	C CAPACITOR	47uF 10V K	1	
	C6213	CC73JCH1H221J	C CAPACITOR	220pF 50V J	1	
	C6301	CK73JXR1H103K	C CAPACITOR	0.01uF 50V K	1	
	C8001	CC73HCH1H100D	C CAPACITOR	10pF 50V D	1	
	C8002	CC73JCH1H100D	C CAPACITOR	10pF 50V D	1	
	C8003	CC73JCH1H100D	C CAPACITOR	10pF 50V D	1	
	C8004	CK73JXR1C104K	C CAPACITOR	0.1uF 16V K	1	
	C8005	CC73JCH1H100D	C CAPACITOR	10pF 50V D	1	
	C8006	CK73JXR1C104K	C CAPACITOR	0.1uF 16V K	1	
	C8007	CK73HXR1C105K	C CAPACITOR	1uF 16V K	1	
	C8008	CC73JCH1H100D	C CAPACITOR	10pF 50V D	1	
	C8009	CC73HCH1H100D	C CAPACITOR	10pF 50V D	1	
	C8010	CC73JCH1H100D	C CAPACITOR	10pF 50V D	1	
	C8011	CC73JCH1H100D	C CAPACITOR	10pF 50V D	1	
	C8012	CC73JCH1H100D	C CAPACITOR	10pF 50V D	1	
	C8013	CC73JCH1H150J	C CAPACITOR	15pF 50V J	1	
	C8014	CC73JCH1H100D	C CAPACITOR	10pF 50V D	1	
	C8015	CK73JXR1C104K	C CAPACITOR	0.1uF 16V K	1	
	C8016	CK73GXR1A475K	C CAPACITOR	4.7uF 10V K	1	
	C8017	CK73GXR1A475K	C CAPACITOR	4.7uF 10V K	1	
	C8018	CK73JXR1C104K	C CAPACITOR	0.1uF 16V K	1	
	C8019	CK73GXR1A475K	C CAPACITOR	4.7uF 10V K	1	
	C8021	CK73GXR1C225K	C CAPACITOR	2.2uF 16V K	1	
	C8022	CK73JXR1C104K	C CAPACITOR	0.1uF 16V K	1	
	C8101	CC73HCH1H030C	C CAPACITOR	3pF 50V C	1	
	C8102	CC73HCH1H0R5C	C CAPACITOR	0.5pF 50V C	1	
	C8103	CC73HCH1H100D	C CAPACITOR	10pF 50V D	1	
	C8105	CC73HCH1H020C	C CAPACITOR	2pF 50V C	1	
	C8106	CC73HCH1H010C	C CAPACITOR	1pF 50V C	1	
	C8107	CC73HCH1H060D	C CAPACITOR	6pF 50V D	1	
	C8109	CK73JXR1H103K	C CAPACITOR	0.01uF 50V K	1	
	C8110	CK73HXR1C105K	C CAPACITOR	1uF 16V K	1	
	C8111	CK73HXR1C105K	C CAPACITOR	1uF 16V K	1	
	R632	RK73HH1J271D	MG RESISTOR	270Ω 1/16W D	1	
	R633	RK73HH1J750D	MG RESISTOR	75Ω 1/16W D	1	
	R5003	RK73HB1J000J	MG RESISTOR	0Ω 1/16W J	1	
	R5004	RK73HB1J000J	MG RESISTOR	0Ω 1/16W J	1	
	R5005	RK73HB1J103J	MG RESISTOR	10kΩ 1/16W J	1	
	R5006	RK73HB1J105J	MG RESISTOR	1MΩ 1/16W J	1	
	R5007	RK73HB1J103J	MG RESISTOR	10kΩ 1/16W J	1	
	R5008	RK73HB1J101J	MG RESISTOR	100Ω 1/16W J	1	
	R5012	RK73HB1J752J	MG RESISTOR	7.5kΩ 1/16W J	1	
	R5016	RK73HB1J103J	MG RESISTOR	10kΩ 1/16W J	1	
	R5017	RK73HB1J103J	MG RESISTOR	10kΩ 1/16W J	1	
	R5018	RK73HB1J103J	MG RESISTOR	10kΩ 1/16W J	1	
	R5023	RK73HB1J472J	MG RESISTOR	4.7kΩ 1/16W J	1	
	R5024	RK73HB1J470J	MG RESISTOR	47Ω 1/16W J	1	
	R5025	RK73HB1J470J	MG RESISTOR	47Ω 1/16W J	1	
	R5026	RK73HB1J470J	MG RESISTOR	47Ω 1/16W J	1	
	R5027	RK73HH1J432D	MG RESISTOR	4.3kΩ 1/16W D	1	
	R5028	RK73HB1J103J	MG RESISTOR	10kΩ 1/16W J	1	
	R5030	RK73HB1J470J	MG RESISTOR	47Ω 1/16W J	1	
	R5031	RK73HB1J470J	MG RESISTOR	47Ω 1/16W J	1	
	R5032	RK73HB1J470J	MG RESISTOR	47Ω 1/16W J	1	
	R5034	RK73HB1J182J	MG RESISTOR	1.8kΩ 1/16W J	1	
	R5036	RK73HB1J472J	MG RESISTOR	4.7kΩ 1/16W J	1	
	R5037	RK73HB1J470J	MG RESISTOR	47Ω 1/16W J	1	
	R5038	RK73HB1J470J	MG RESISTOR	47Ω 1/16W J	1	
	R5039	RK73HB1J182J	MG RESISTOR	1.8kΩ 1/16W J	1	
	R5040	RK73HB1J103J	MG RESISTOR	10kΩ 1/16W J	1	
	R5041	RK73HB1J103J	MG RESISTOR	10kΩ 1/16W J	1	
	R5042	RK73HH1J102D	MG RESISTOR	1kΩ 1/16W D	1	
	R5043	RK73HH1J102D	MG RESISTOR	1kΩ 1/16W D	1	
	R5044	RK73HB1J473J	MG RESISTOR	47kΩ 1/16W J	1	
	R5046	RK73HH1J201D	MG RESISTOR	200Ω 1/16W D	1	
	R5047	RK73HB1J272J	MG RESISTOR	2.7kΩ 1/16W J	1	
	R5048	RK73HB1J102J	MG RESISTOR	1kΩ 1/16W J	1	
	R5049	RK73HH1J201D	MG RESISTOR	200Ω 1/16W D	1	
	R5050	RK73HB1J102J	MG RESISTOR	1kΩ 1/16W J	1	
	R5051	RK73HB1J272J	MG RESISTOR	2.7kΩ 1/16W J	1	
	R5052	RK73HB1J472J	MG RESISTOR	4.7kΩ 1/16W J	1	
	R5053	RK73HB1J472J	MG RESISTOR	4.7kΩ 1/16W J	1	
	R5054	RK73HB1J103J	MG RESISTOR	10kΩ 1/16W J	1	
	R5056	RK73HB1J472J	MG RESISTOR	4.7kΩ 1/16W J	1	
	R5058	RK73HB1J473J	MG RESISTOR	47kΩ 1/16W J	1	
	R5059	RK73HB1J272J	MG RESISTOR	2.7kΩ 1/16W J	1	
	R5060	RK73HB1J472J	MG RESISTOR	4.7kΩ 1/16W J	1	
	R5062	RK73HB1J472J	MG RESISTOR	4.7kΩ 1/16W J	1	
	R5064	RK73HB1J472J	MG RESISTOR	4.7kΩ 1/16W J	1	
	R5068	RK73HB1J103J	MG RESISTOR	10kΩ 1/16W J	1	
	R5072	RK73HB1J103J	MG RESISTOR	10kΩ 1/16W J	1	
	R5073	RK73HH1J104D	MG RESISTOR	100kΩ 1/16W D	1	
	R5075	RK73HB1J103J	MG RESISTOR	10kΩ 1/16W J	1	
	R5076	RK73HB1J103J	MG RESISTOR	10kΩ 1/16W J	1	
	R5077	RK73HH1J241D	MG RESISTOR	240Ω 1/16W D	1	
	R5081	RK73HB1J000J	MG RESISTOR	0Ω 1/16W J	1	
	R5092	RK73HB1J103J	MG RESISTOR	10kΩ 1/16W J	1	
	R5094	RK73HB1J103J	MG RESISTOR	10kΩ 1/16W J	1	
	R5095	RK73HB1J103J	MG RESISTOR	10kΩ 1/16W J	1	

MODEL	MARK
DNR876S	K1

Safe	Symbol No.	Parts No.	Parts Name	Description	QTY	Local
	R5097	RK73HB1J223J	MG RESISTOR	22kΩ 1/16W J	1	
	R5100	RK73HB1J103J	MG RESISTOR	10kΩ 1/16W J	1	
	R5101	RK73HB1J103J	MG RESISTOR	10kΩ 1/16W J	1	
	R5102	RK73HB1J103J	MG RESISTOR	10kΩ 1/16W J	1	
	R5103	RK73HB1J103J	MG RESISTOR	10kΩ 1/16W J	1	
	R5104	RK73HB1J472J	MG RESISTOR	4.7kΩ 1/16W J	1	
	R5105	RK73HB1J103J	MG RESISTOR	10kΩ 1/16W J	1	
	R5106	RK73HB1J472J	MG RESISTOR	4.7kΩ 1/16W J	1	
	R5109	RK73HB1J182J	MG RESISTOR	1.8kΩ 1/16W J	1	
	R5112	RK73HB1J103J	MG RESISTOR	10kΩ 1/16W J	1	
	R5113	RK73HB1J103J	MG RESISTOR	10kΩ 1/16W J	1	
	R5114	RK73HB1J103J	MG RESISTOR	10kΩ 1/16W J	1	
	R5115	RK73HB1J103J	MG RESISTOR	10kΩ 1/16W J	1	
	R5116	RK73HB1J182J	MG RESISTOR	1.8kΩ 1/16W J	1	
	R5117	RK73HB1J103J	MG RESISTOR	10kΩ 1/16W J	1	
	R5118	RK73HB1J103J	MG RESISTOR	10kΩ 1/16W J	1	
	R5119	RK73HB1J103J	MG RESISTOR	10kΩ 1/16W J	1	
	R5120	RK73HB1J272J	MG RESISTOR	2.7kΩ 1/16W J	1	
	R5121	RK73HB1J103J	MG RESISTOR	10kΩ 1/16W J	1	
	R5122	RK73HB1J103J	MG RESISTOR	10kΩ 1/16W J	1	
	R5123	RK73HB1J103J	MG RESISTOR	10kΩ 1/16W J	1	
	R5124	RK73HB1J272J	MG RESISTOR	2.7kΩ 1/16W J	1	
	R5126	RK73HB1J103J	MG RESISTOR	10kΩ 1/16W J	1	
	R5127	RK73HB1J103J	MG RESISTOR	10kΩ 1/16W J	1	
	R5128	RK73HB1J103J	MG RESISTOR	10kΩ 1/16W J	1	
	R5130	RK73HB1J101J	MG RESISTOR	100Ω 1/16W J	1	
	R5131	RK73HB1J101J	MG RESISTOR	100Ω 1/16W J	1	
	R5145	RK73HH1J123D	MG RESISTOR	12kΩ 1/16W D	1	
	R5146	RK73HH1J243D	MG RESISTOR	24kΩ 1/16W D	1	
	R5151	RK73HB1J103J	MG RESISTOR	10kΩ 1/16W J	1	
	R5153	RK73HB1J000J	MG RESISTOR	0Ω 1/16W J	1	
	R5154	RK73HB1J101J	MG RESISTOR	100Ω 1/16W J	1	
	R5155	RK73HB1J101J	MG RESISTOR	100Ω 1/16W J	1	
	R5156	RK73HB1J473J	MG RESISTOR	47kΩ 1/16W J	1	
	R5157	RK73HB1J272J	MG RESISTOR	2.7kΩ 1/16W J	1	
	R5203	RK73HB1J103J	MG RESISTOR	10kΩ 1/16W J	1	
	R5204	RK73HB1J472J	MG RESISTOR	4.7kΩ 1/16W J	1	
	R5205	RK73HB1J102J	MG RESISTOR	1kΩ 1/16W J	1	
	R5206	RK73HB1J103J	MG RESISTOR	10kΩ 1/16W J	1	
	R5207	RK73HB1J103J	MG RESISTOR	10kΩ 1/16W J	1	
	R5220	RK73HB1J680J	MG RESISTOR	68Ω 1/16W J	1	
	R5221	RK73HB1J680J	MG RESISTOR	68Ω 1/16W J	1	
	R5222	RK73HB1J680J	MG RESISTOR	68Ω 1/16W J	1	
	R5223	RK73HB1J680J	MG RESISTOR	68Ω 1/16W J	1	
	R5224	RK73HB1J680J	MG RESISTOR	68Ω 1/16W J	1	
	R5225	RK73HB1J680J	MG RESISTOR	68Ω 1/16W J	1	
	R5226	RK73HB1J680J	MG RESISTOR	68Ω 1/16W J	1	
	R5227	RK73HB1J680J	MG RESISTOR	68Ω 1/16W J	1	
	R5231	RK73HB1J680J	MG RESISTOR	68Ω 1/16W J	1	
	R5232	RK73HB1J680J	MG RESISTOR	68Ω 1/16W J	1	
	R5233	RK73HB1J680J	MG RESISTOR	68Ω 1/16W J	1	
	R5234	RK73HB1J680J	MG RESISTOR	68Ω 1/16W J	1	
	R5236	RK73HB1J680J	MG RESISTOR	68Ω 1/16W J	1	
	R5237	RK73HB1J680J	MG RESISTOR	68Ω 1/16W J	1	
	R5238	RK73HB1J680J	MG RESISTOR	68Ω 1/16W J	1	
	R5265	RK73HB1J103J	MG RESISTOR	10kΩ 1/16W J	1	
	R5266	RK73HB1J473J	MG RESISTOR	47kΩ 1/16W J	1	
	R5268	RK73HB1J101J	MG RESISTOR	100Ω 1/16W J	1	
	R5269	RK73HB1J220J	MG RESISTOR	22Ω 1/16W J	1	
	R5270	RK73HB1J100J	MG RESISTOR	10Ω 1/16W J	1	
	R5271	RK73HB1J220J	MG RESISTOR	22Ω 1/16W J	1	
	R5272	RK73HB1J220J	MG RESISTOR	22Ω 1/16W J	1	
	R5273	RK73HB1J220J	MG RESISTOR	22Ω 1/16W J	1	
	R5274	RK73HB1J220J	MG RESISTOR	22Ω 1/16W J	1	
	R5275	RK73HB1J220J	MG RESISTOR	22Ω 1/16W J	1	
	R5276	RK73HB1J220J	MG RESISTOR	22Ω 1/16W J	1	
	R5277	RK73HB1J220J	MG RESISTOR	22Ω 1/16W J	1	
	R5278	RK73HB1J220J	MG RESISTOR	22Ω 1/16W J	1	
	R5301	RK73HH1J102D	MG RESISTOR	1kΩ 1/16W D	1	
	R5302	RK73HH1J102D	MG RESISTOR	1kΩ 1/16W D	1	
	R5303	RK73HH1J102D	MG RESISTOR	1kΩ 1/16W D	1	
	R5304	RK73HH1J102D	MG RESISTOR	1kΩ 1/16W D	1	
	R5305	RK73HH1J241D	MG RESISTOR	240Ω 1/16W D	1	
	R5306	RK73HH1J102D	MG RESISTOR	1kΩ 1/16W D	1	
	R5307	RK73HH1J102D	MG RESISTOR	1kΩ 1/16W D	1	
	R5308	RK73HH1J102D	MG RESISTOR	1kΩ 1/16W D	1	
	R5309	RK73HH1J102D	MG RESISTOR	1kΩ 1/16W D	1	
	R5310	RK73HH1J241D	MG RESISTOR	240Ω 1/16W D	1	
	R5311	RK73HH1J201D	MG RESISTOR	200Ω 1/16W D	1	
	R5312	RK73HH1J201D	MG RESISTOR	200Ω 1/16W D	1	
	R5401	RK73HH1J101D	MG RESISTOR	100Ω 1/16W D	1	
	R5402	RK73HH1J101D	MG RESISTOR	100Ω 1/16W D	1	
	R5403	RK73HH1J101D	MG RESISTOR	100Ω 1/16W D	1	
	R5404	RK73HH1J101D	MG RESISTOR	100Ω 1/16W D	1	
	R5405	RK73HH1J101D	MG RESISTOR	100Ω 1/16W D	1	
	R5407	RK73HB1J330J	MG RESISTOR	33Ω 1/16W J	1	
	R5413	RK73GB2A000J	MG RESISTOR	0Ω 1/10W J	1	
	R5422	RK73HH1J201D	MG RESISTOR	200Ω 1/16W D	1	
	R5424	RK73HH1J201D	MG RESISTOR	200Ω 1/16W D	1	
	R5425	RK73HH1J201D	MG RESISTOR	200Ω 1/16W D	1	
	R5428	RK73HB1J473J	MG RESISTOR	47kΩ 1/16W J	1	
	R5429	RK73HB1J102J	MG RESISTOR	1kΩ 1/16W J	1	
	R5430	RK73HB1J105J	MG RESISTOR	1MΩ 1/16W J	1	

MODEL	MARK
DNR876S	K1

Safe	Symbol No.	Parts No.	Parts Name	Description	QTY	Local
	R5434	RK73HB1J000J	MG RESISTOR	0Ω 1/16W J	1	
	R5435	RK73HB1J101J	MG RESISTOR	100Ω 1/16W J	1	
	R5444	RK73HB1J103J	MG RESISTOR	10kΩ 1/16W J	1	
	R5445	RK73HB1J000J	MG RESISTOR	0Ω 1/16W J	1	
	R5450	RK73HB1J000J	MG RESISTOR	0Ω 1/16W J	1	
	R5451	RK73HB1J000J	MG RESISTOR	0Ω 1/16W J	1	
	R5452	RK73HB1J000J	MG RESISTOR	0Ω 1/16W J	1	
	R5453	RK73HB1J000J	MG RESISTOR	0Ω 1/16W J	1	
	R5461	RK73HB1J224J	MG RESISTOR	220kΩ 1/16W J	1	
	R5462	RK73HB1J472J	MG RESISTOR	4.7kΩ 1/16W J	1	
	R5463	RK73HB1J472J	MG RESISTOR	4.7kΩ 1/16W J	1	
	R5471	RK73HB1J103J	MG RESISTOR	10kΩ 1/16W J	1	
	R5473	RK73HB1J103J	MG RESISTOR	10kΩ 1/16W J	1	
	R5474	RK73HB1J101J	MG RESISTOR	100Ω 1/16W J	1	
	R5481	RK73HB1J330J	MG RESISTOR	33Ω 1/16W J	1	
	R5482	RK73HB1J330J	MG RESISTOR	33Ω 1/16W J	1	
	R5483	RK73HB1J330J	MG RESISTOR	33Ω 1/16W J	1	
	R5484	RK73HB1J330J	MG RESISTOR	33Ω 1/16W J	1	
	R5498	RK73HB1J101J	MG RESISTOR	100Ω 1/16W J	1	
	R5501	RK73HH1J201D	MG RESISTOR	200Ω 1/16W D	1	
	R5502	RK73HB1J823J	MG RESISTOR	82kΩ 1/16W J	1	
	R5503	RK73HB1J224J	MG RESISTOR	220kΩ 1/16W J	1	
	R5504	RK73HH1J201D	MG RESISTOR	200Ω 1/16W D	1	
	R5505	RK73HB1J823J	MG RESISTOR	82kΩ 1/16W J	1	
	R5506	RK73HB1J224J	MG RESISTOR	220kΩ 1/16W J	1	
	R5507	RK73HH1J201D	MG RESISTOR	200Ω 1/16W D	1	
	R5508	RK73HB1J823J	MG RESISTOR	82kΩ 1/16W J	1	
	R5509	RK73HB1J224J	MG RESISTOR	220kΩ 1/16W J	1	
	R5510	RK73HH1J201D	MG RESISTOR	200Ω 1/16W D	1	
	R5511	RK73HB1J823J	MG RESISTOR	82kΩ 1/16W J	1	
	R5512	RK73HB1J224J	MG RESISTOR	220kΩ 1/16W J	1	
	R5521	RK73HB1J472J	MG RESISTOR	4.7kΩ 1/16W J	1	
	R5522	RK73HB1J472J	MG RESISTOR	4.7kΩ 1/16W J	1	
	R5523	RK73HB1J472J	MG RESISTOR	4.7kΩ 1/16W J	1	
	R5524	RK73HB1J472J	MG RESISTOR	4.7kΩ 1/16W J	1	
	R5525	RK73HB1J472J	MG RESISTOR	4.7kΩ 1/16W J	1	
	R5526	RK73HB1J472J	MG RESISTOR	4.7kΩ 1/16W J	1	
	R5527	RK73HB1J472J	MG RESISTOR	4.7kΩ 1/16W J	1	
	R5528	RK73HB1J472J	MG RESISTOR	4.7kΩ 1/16W J	1	
	R5529	RK73HB1J472J	MG RESISTOR	4.7kΩ 1/16W J	1	
	R5531	RK73GB2A000J	MG RESISTOR	0Ω 1/10W J	1	
	R5532	RK73GB2A000J	MG RESISTOR	0Ω 1/10W J	1	
	R5539	RK73HB1J224J	MG RESISTOR	220kΩ 1/16W J	1	
	R5541	RK73HH1J302D	MG RESISTOR	3kΩ 1/16W D	1	
	R5542	RK73HH1J302D	MG RESISTOR	3kΩ 1/16W D	1	
	R5543	RK73HB1J101J	MG RESISTOR	100Ω 1/16W J	1	
	R5544	RK73HB1J101J	MG RESISTOR	100Ω 1/16W J	1	
	R5545	RK73HH1J302D	MG RESISTOR	3kΩ 1/16W D	1	
	R5546	RK73HH1J302D	MG RESISTOR	3kΩ 1/16W D	1	
	R5547	RK73HB1J101J	MG RESISTOR	100Ω 1/16W J	1	
	R5548	RK73HB1J101J	MG RESISTOR	100Ω 1/16W J	1	
	R5549	RK73HH1J302D	MG RESISTOR	3kΩ 1/16W D	1	
	R5550	RK73HH1J302D	MG RESISTOR	3kΩ 1/16W D	1	
	R5551	RK73HB1J101J	MG RESISTOR	100Ω 1/16W J	1	
	R5552	RK73HB1J101J	MG RESISTOR	100Ω 1/16W J	1	
	R5553	RK73HH1J302D	MG RESISTOR	3kΩ 1/16W D	1	
	R5554	RK73HB1J101J	MG RESISTOR	100Ω 1/16W J	1	
	R5559	RK73HB1J104J	MG RESISTOR	100kΩ 1/16W J	1	
	R5560	RK73HB1J104J	MG RESISTOR	100kΩ 1/16W J	1	
	R5561	RK73HB1J104J	MG RESISTOR	100kΩ 1/16W J	1	
	R5562	RK73HB1J101J	MG RESISTOR	100Ω 1/16W J	1	
	R5563	RK73HB1J101J	MG RESISTOR	100Ω 1/16W J	1	
	R5564	RK73HB1J101J	MG RESISTOR	100Ω 1/16W J	1	
	R5565	RK73HB1J104J	MG RESISTOR	100kΩ 1/16W J	1	
	R5566	RK73HB1J104J	MG RESISTOR	100kΩ 1/16W J	1	
	R5567	RK73HB1J104J	MG RESISTOR	100kΩ 1/16W J	1	
	R5568	RK73HB1J104J	MG RESISTOR	100kΩ 1/16W J	1	
	R5569	RK73HB1J101J	MG RESISTOR	100Ω 1/16W J	1	
	R5570	RK73HB1J101J	MG RESISTOR	100Ω 1/16W J	1	
	R5571	RK73HB1J101J	MG RESISTOR	100Ω 1/16W J	1	
	R5572	RK73HB1J101J	MG RESISTOR	100Ω 1/16W J	1	
	R5574	RK73HB1J272J	MG RESISTOR	2.7kΩ 1/16W J	1	
	R5575	RK73HB1J104J	MG RESISTOR	100kΩ 1/16W J	1	
	R5576	RK73HB1J103J	MG RESISTOR	10kΩ 1/16W J	1	
	R5641	RK73HB1J122J	MG RESISTOR	1.2kΩ 1/16W J	1	
	R5643	RK73HB1J103J	MG RESISTOR	10kΩ 1/16W J	1	
	R5644	RK73HB1J272J	MG RESISTOR	2.7kΩ 1/16W J	1	
	R5645	RK73HB1J101J	MG RESISTOR	100Ω 1/16W J	1	
	R5646	RK73HB1J101J	MG RESISTOR	100Ω 1/16W J	1	
	R5647	RK73HB1J101J	MG RESISTOR	100Ω 1/16W J	1	
	R5648	RK73HB1J101J	MG RESISTOR	100Ω 1/16W J	1	
	R5649	RK73HB1J473J	MG RESISTOR	47kΩ 1/16W J	1	
	R5650	RK73HB1J101J	MG RESISTOR	100Ω 1/16W J	1	
	R5651	RK73HB1J101J	MG RESISTOR	100Ω 1/16W J	1	
	R5652	RK73HB1J220J	MG RESISTOR	22Ω 1/16W J	1	
	R5653	RK73HB1J220J	MG RESISTOR	22Ω 1/16W J	1	
	R5654	RK73HB1J101J	MG RESISTOR	100Ω 1/16W J	1	
	R5655	RK73HB1J220J	MG RESISTOR	22Ω 1/16W J	1	
	R5656	RK73HB1J220J	MG RESISTOR	22Ω 1/16W J	1	
	R5657	RK73HB1J220J	MG RESISTOR	22Ω 1/16W J	1	
	R5658	RK73HB1J473J	MG RESISTOR	47kΩ 1/16W J	1	
	R5659	RK73HB1J473J	MG RESISTOR	47kΩ 1/16W J	1	

MODEL	MARK
DNR876S	K1

Safe	Symbol No.	Parts No.	Parts Name	Description	QTY	Local
	R5660	RK73HB1J473J	MG RESISTOR	47kΩ 1/16W J	1	
	R5661	RK73HB1J473J	MG RESISTOR	47kΩ 1/16W J	1	
	R5662	RK73HB1J473J	MG RESISTOR	47kΩ 1/16W J	1	
	R5663	RK73HB1J473J	MG RESISTOR	47kΩ 1/16W J	1	
	R5665	RK73HB1J472J	MG RESISTOR	4.7kΩ 1/16W J	1	
	R5666	RK73HB1J103J	MG RESISTOR	10kΩ 1/16W J	1	
	R5667	RK73HB1J102J	MG RESISTOR	1kΩ 1/16W J	1	
	R5668	RK73HB1J472J	MG RESISTOR	4.7kΩ 1/16W J	1	
	R5669	RK73HB1J272J	MG RESISTOR	2.7kΩ 1/16W J	1	
	R5670	RK73HB1J472J	MG RESISTOR	4.7kΩ 1/16W J	1	
	R5703	RK73HB1J473J	MG RESISTOR	47kΩ 1/16W J	1	
	R5704	RK73HB1J473J	MG RESISTOR	47kΩ 1/16W J	1	
	R5705	RK73HB1J272J	MG RESISTOR	2.7kΩ 1/16W J	1	
	R5709	RK73HB1J473J	MG RESISTOR	47kΩ 1/16W J	1	
	R5712	RK73HB1J272J	MG RESISTOR	2.7kΩ 1/16W J	1	
	R5713	RK73HB1J103J	MG RESISTOR	10kΩ 1/16W J	1	
	R5714	RK73HB1J103J	MG RESISTOR	10kΩ 1/16W J	1	
	R5717	RK73HB1J103J	MG RESISTOR	10kΩ 1/16W J	1	
	R5718	RK73HB1J103J	MG RESISTOR	10kΩ 1/16W J	1	
	R5719	RK73HB1J000J	MG RESISTOR	0Ω 1/16W J	1	
	R5723	RK73HB1J103J	MG RESISTOR	10kΩ 1/16W J	1	
	R5724	RK73HB1J272J	MG RESISTOR	2.7kΩ 1/16W J	1	
	R5727	RK73HB1J000J	MG RESISTOR	0Ω 1/16W J	1	
	R5729	RK73HB1J103J	MG RESISTOR	10kΩ 1/16W J	1	
	R5731	RK73HB1J103J	MG RESISTOR	10kΩ 1/16W J	1	
	R5732	RK73HB1J103J	MG RESISTOR	10kΩ 1/16W J	1	
	R5733	RK73HH1J201D	MG RESISTOR	200Ω 1/16W D	1	
	R5734	RK73HH1J362D	MG RESISTOR	3.6kΩ 1/16W D	1	
	R5735	RK73HH1J222D	MG RESISTOR	2.2kΩ 1/16W D	1	
	R5736	RK73HH1J241D	MG RESISTOR	240Ω 1/16W D	1	
	R5737	RK73HB1J000J	MG RESISTOR	0Ω 1/16W J	1	
	R5738	RK73HB1J000J	MG RESISTOR	0Ω 1/16W J	1	
	R5790	RK73HB1J101J	MG RESISTOR	100Ω 1/16W J	1	
	R5791	RK73HB1J101J	MG RESISTOR	100Ω 1/16W J	1	
	R5803	RK73HB1J101J	MG RESISTOR	100Ω 1/16W J	1	
	R5804	RK73HB1J101J	MG RESISTOR	100Ω 1/16W J	1	
	R5805	RK73HB1J101J	MG RESISTOR	100Ω 1/16W J	1	
	R5806	RK73HB1J101J	MG RESISTOR	100Ω 1/16W J	1	
	R5807	RK73HB1J101J	MG RESISTOR	100Ω 1/16W J	1	
	R5808	RK73HB1J101J	MG RESISTOR	100Ω 1/16W J	1	
	R5809	RK73HB1J101J	MG RESISTOR	100Ω 1/16W J	1	
	R5810	RK73HB1J101J	MG RESISTOR	100Ω 1/16W J	1	
	R5811	RK73HB1J101J	MG RESISTOR	100Ω 1/16W J	1	
	R5815	RK73HB1J101J	MG RESISTOR	100Ω 1/16W J	1	
	R5816	RK73HB1J101J	MG RESISTOR	100Ω 1/16W J	1	
	R5817	RK73HB1J000J	MG RESISTOR	0Ω 1/16W J	1	
	R5830	RK73HB1J101J	MG RESISTOR	100Ω 1/16W J	1	
	R5831	RK73HB1J000J	MG RESISTOR	0Ω 1/16W J	1	
	R5832	RK73HB1J000J	MG RESISTOR	0Ω 1/16W J	1	
	R5833	RK73HB1J000J	MG RESISTOR	0Ω 1/16W J	1	
	R5834	RK73HB1J101J	MG RESISTOR	100Ω 1/16W J	1	
	R5835	RK73HB1J101J	MG RESISTOR	100Ω 1/16W J	1	
	R5837	RK73HB1J101J	MG RESISTOR	100Ω 1/16W J	1	
	R5838	RK73HB1J101J	MG RESISTOR	100Ω 1/16W J	1	
	R5839	RK73HB1J101J	MG RESISTOR	100Ω 1/16W J	1	
	R5840	RK73HB1J101J	MG RESISTOR	100Ω 1/16W J	1	
	R5841	RK73HB1J101J	MG RESISTOR	100Ω 1/16W J	1	
	R5842	RK73HB1J000J	MG RESISTOR	0Ω 1/16W J	1	
	R5843	RK73HB1J101J	MG RESISTOR	100Ω 1/16W J	1	
	R5844	RK73HB1J000J	MG RESISTOR	0Ω 1/16W J	1	
	R5845	RK73HB1J000J	MG RESISTOR	0Ω 1/16W J	1	
	R5846	RK73HB1J000J	MG RESISTOR	0Ω 1/16W J	1	
	R5847	RK73HB1J101J	MG RESISTOR	100Ω 1/16W J	1	
	R5853	RK73HB1J101J	MG RESISTOR	100Ω 1/16W J	1	
	R5855	RK73HB1J101J	MG RESISTOR	100Ω 1/16W J	1	
	R5857	RK73HB1J101J	MG RESISTOR	100Ω 1/16W J	1	
	R5863	RK73HB1J472J	MG RESISTOR	4.7kΩ 1/16W J	1	
	R5864	RK73HB1J472J	MG RESISTOR	4.7kΩ 1/16W J	1	
	R5869	RK73HB1J473J	MG RESISTOR	47kΩ 1/16W J	1	
	R5885	RK73HB1J000J	MG RESISTOR	0Ω 1/16W J	1	
	R5886	RK73HB1J000J	MG RESISTOR	0Ω 1/16W J	1	
	R5887	RK73HB1J000J	MG RESISTOR	0Ω 1/16W J	1	
	R5888	RK73HB1J000J	MG RESISTOR	0Ω 1/16W J	1	
	R5889	RK73HB1J000J	MG RESISTOR	0Ω 1/16W J	1	
	R5890	RK73HB1J000J	MG RESISTOR	0Ω 1/16W J	1	
	R5891	RK73HB1J000J	MG RESISTOR	0Ω 1/16W J	1	
	R5892	RK73HB1J472J	MG RESISTOR	4.7kΩ 1/16W J	1	
	R5911	RK73HB1J000J	MG RESISTOR	0Ω 1/16W J	1	
	R5912	RK73HB1J000J	MG RESISTOR	0Ω 1/16W J	1	
	R5915	RK73GB2A000J	MG RESISTOR	0Ω 1/10W J	1	
	R5918	RK73GB2A200J	MG RESISTOR	20Ω 1/10W J	1	
	R5920	RK73HB1J000J	MG RESISTOR	0Ω 1/16W J	1	
	R5921	RK73HB1J000J	MG RESISTOR	0Ω 1/16W J	1	
	R5922	RK73HH1J102D	MG RESISTOR	1kΩ 1/16W D	1	
	R5923	RK73HH1J222D	MG RESISTOR	2.2kΩ 1/16W D	1	
	R5924	RK73HH1J393D	MG RESISTOR	39kΩ 1/16W D	1	
	R5925	RK73HH1J123D	MG RESISTOR	12kΩ 1/16W D	1	
	R5926	RK73GB2A331J	MG RESISTOR	330Ω 1/10W J	1	
	R5927	RK73HB1J101J	MG RESISTOR	100Ω 1/16W J	1	
	R5928	RK73GB2A200J	MG RESISTOR	20Ω 1/10W J	1	
	R5930	RK73HH1J273D	MG RESISTOR	27kΩ 1/16W D	1	
	R5931	RK73HB1J000J	MG RESISTOR	0Ω 1/16W J	1	

MODEL	MARK
DNR876S	K1

Safe	Symbol No.	Parts No.	Parts Name	Description	QTY	Local
	R5932	RK73HH1J563D	MG RESISTOR	56kΩ 1/16W D	1	
	R5933	RK73HH1J222D	MG RESISTOR	2.2kΩ 1/16W D	1	
	R5934	RK73HH1J393D	MG RESISTOR	39kΩ 1/16W D	1	
	R5935	RK73HH1J823D	MG RESISTOR	82kΩ 1/16W D	1	
	R5937	RK73HB1J103J	MG RESISTOR	10kΩ 1/16W J	1	
	R5938	RK73HB1J104J	MG RESISTOR	100kΩ 1/16W J	1	
	R5942	RK73GB2A200J	MG RESISTOR	20Ω 1/10W J	1	
	R5943	RK73HB1J000J	MG RESISTOR	0Ω 1/16W J	1	
	R5944	RK73HH1J222D	MG RESISTOR	2.2kΩ 1/16W D	1	
	R5945	RK73HH1J393D	MG RESISTOR	39kΩ 1/16W D	1	
	R5946	RK73HH1J823D	MG RESISTOR	82kΩ 1/16W D	1	
	R5947	RK73HH1J243D	MG RESISTOR	24kΩ 1/16W D	1	
	R5948	RK73HB1J000J	MG RESISTOR	0Ω 1/16W J	1	
	R5949	RK73HH1J273D	MG RESISTOR	27kΩ 1/16W D	1	
	R5951	RK73HB1J101J	MG RESISTOR	100Ω 1/16W J	1	
	R5954	RK73HH1J183D	MG RESISTOR	18kΩ 1/16W D	1	
	R5955	RK73HH1J153D	MG RESISTOR	15kΩ 1/16W D	1	
	R5956	RK73HH1J751D	MG RESISTOR	750Ω 1/16W D	1	
	R5960	RK73HB1J102J	MG RESISTOR	1kΩ 1/16W J	1	
	R5961	RK73HB1J473J	MG RESISTOR	47kΩ 1/16W J	1	
	R5964	RK73HB1J101J	MG RESISTOR	100Ω 1/16W J	1	
	R5965	RK73HB1J102J	MG RESISTOR	1kΩ 1/16W J	1	
	R5966	RK73HB1J221J	MG RESISTOR	220Ω 1/16W J	1	
	R5970	RK73GB2A331J	MG RESISTOR	330Ω 1/10W J	1	
	R5971	RK73GB2A331J	MG RESISTOR	330Ω 1/10W J	1	
	R6002	RK73HB1J101J	MG RESISTOR	100Ω 1/16W J	1	
	R6003	RK73HB1J101J	MG RESISTOR	100Ω 1/16W J	1	
	R6004	RK73HB1J101J	MG RESISTOR	100Ω 1/16W J	1	
	R6005	RK73HB1J101J	MG RESISTOR	100Ω 1/16W J	1	
	R6006	RK73HB1J330J	MG RESISTOR	33Ω 1/16W J	1	
	R6007	RK73HB1J330J	MG RESISTOR	33Ω 1/16W J	1	
	R6009	RK73HB1J101J	MG RESISTOR	100Ω 1/16W J	1	
	R6010	RK73HB1J101J	MG RESISTOR	100Ω 1/16W J	1	
	R6011	RK73HB1J101J	MG RESISTOR	100Ω 1/16W J	1	
	R6012	RK73HB1J101J	MG RESISTOR	100Ω 1/16W J	1	
	R6013	RK73HB1J101J	MG RESISTOR	100Ω 1/16W J	1	
	R6014	RK73HB1J101J	MG RESISTOR	100Ω 1/16W J	1	
	R6015	RK73HB1J101J	MG RESISTOR	100Ω 1/16W J	1	
	R6016	RK73HB1J101J	MG RESISTOR	100Ω 1/16W J	1	
	R6018	RK73HB1J4R7J	MG RESISTOR	4.7Ω 1/16W J	1	
	R6019	RK73HB1J4R7J	MG RESISTOR	4.7Ω 1/16W J	1	
	R6020	RK73HB1J4R7J	MG RESISTOR	4.7Ω 1/16W J	1	
	R6021	RK73HB1J4R7J	MG RESISTOR	4.7Ω 1/16W J	1	
	R6022	RK73HB1J4R7J	MG RESISTOR	4.7Ω 1/16W J	1	
	R6023	RK73HB1J4R7J	MG RESISTOR	4.7Ω 1/16W J	1	
	R6024	RK73HB1J4R7J	MG RESISTOR	4.7Ω 1/16W J	1	
	R6025	RK73HB1J4R7J	MG RESISTOR	4.7Ω 1/16W J	1	
	R6026	RK73HB1J4R7J	MG RESISTOR	4.7Ω 1/16W J	1	
	R6027	RK73HB1J4R7J	MG RESISTOR	4.7Ω 1/16W J	1	
	R6028	RK73HB1J4R7J	MG RESISTOR	4.7Ω 1/16W J	1	
	R6029	RK73HB1J4R7J	MG RESISTOR	4.7Ω 1/16W J	1	
	R6030	RK73HB1J4R7J	MG RESISTOR	4.7Ω 1/16W J	1	
	R6031	RK73HB1J4R7J	MG RESISTOR	4.7Ω 1/16W J	1	
	R6032	RK73HB1J4R7J	MG RESISTOR	4.7Ω 1/16W J	1	
	R6033	RK73HB1J4R7J	MG RESISTOR	4.7Ω 1/16W J	1	
	R6034	RK73HB1J4R7J	MG RESISTOR	4.7Ω 1/16W J	1	
	R6035	RK73HB1J4R7J	MG RESISTOR	4.7Ω 1/16W J	1	
	R6036	RK73HB1J4R7J	MG RESISTOR	4.7Ω 1/16W J	1	
	R6037	RK73HB1J4R7J	MG RESISTOR	4.7Ω 1/16W J	1	
	R6038	RK73HB1J100J	MG RESISTOR	10Ω 1/16W J	1	
	R6039	RK73HB1J4R7J	MG RESISTOR	4.7Ω 1/16W J	1	
	R6040	RK73HB1J4R7J	MG RESISTOR	4.7Ω 1/16W J	1	
	R6041	RK73HB1J4R7J	MG RESISTOR	4.7Ω 1/16W J	1	
	R6042	RK73HB1J4R7J	MG RESISTOR	4.7Ω 1/16W J	1	
	R6043	RK73HB1J000J	MG RESISTOR	0Ω 1/16W J	1	
	R6044	RK73HB1J000J	MG RESISTOR	0Ω 1/16W J	1	
	R6045	RK73HB1J000J	MG RESISTOR	0Ω 1/16W J	1	
	R6046	RK73HB1J000J	MG RESISTOR	0Ω 1/16W J	1	
	R6047	RK73HB1J000J	MG RESISTOR	0Ω 1/16W J	1	
	R6048	RK73HB1J000J	MG RESISTOR	0Ω 1/16W J	1	
	R6049	RK73HB1J000J	MG RESISTOR	0Ω 1/16W J	1	
	R6050	RK73HB1J000J	MG RESISTOR	0Ω 1/16W J	1	
	R6051	RK73HB1J000J	MG RESISTOR	0Ω 1/16W J	1	
	R6052	RK73HB1J000J	MG RESISTOR	0Ω 1/16W J	1	
	R6053	RK73HB1J000J	MG RESISTOR	0Ω 1/16W J	1	
	R6054	RK73HB1J000J	MG RESISTOR	0Ω 1/16W J	1	
	R6055	RK73HB1J000J	MG RESISTOR	0Ω 1/16W J	1	
	R6056	RK73HB1J000J	MG RESISTOR	0Ω 1/16W J	1	
	R6057	RK73HB1J000J	MG RESISTOR	0Ω 1/16W J	1	
	R6058	RK73HB1J000J	MG RESISTOR	0Ω 1/16W J	1	
	R6059	RK73HB1J000J	MG RESISTOR	0Ω 1/16W J	1	
	R6060	RK73HB1J000J	MG RESISTOR	0Ω 1/16W J	1	
	R6061	RK73HB1J000J	MG RESISTOR	0Ω 1/16W J	1	
	R6063	RK73HB1J000J	MG RESISTOR	0Ω 1/16W J	1	
	R6064	RK73HB1J000J	MG RESISTOR	0Ω 1/16W J	1	
	R6065	RK73HB1J000J	MG RESISTOR	0Ω 1/16W J	1	
	R6066	RK73HB1J000J	MG RESISTOR	0Ω 1/16W J	1	
	R6067	RK73HB1J000J	MG RESISTOR	0Ω 1/16W J	1	
	R6081	RK73HB1J123J	MG RESISTOR	12kΩ 1/16W J	1	
	R6082	RK73HB1J123J	MG RESISTOR	12kΩ 1/16W J	1	
	R6110	RK73HB1J103J	MG RESISTOR	10kΩ 1/16W J	1	
	R6201	RK73HB1J101J	MG RESISTOR	100Ω 1/16W J	1	
	R6202	RK73GB2A200J	MG RESISTOR	20Ω 1/10W J	1	

MODEL	MARK
DNR876S	K1

Safe	Symbol No.	Parts No.	Parts Name	Description	QTY	Local
R6204		RK73HH1J273D	MG RESISTOR	27kΩ 1/16W D	1	
R6205		RK73HB1J000J	MG RESISTOR	0Ω 1/16W J	1	
R6206		RK73HH1J222D	MG RESISTOR	2.2kΩ 1/16W D	1	
R6207		RK73HH1J393D	MG RESISTOR	39kΩ 1/16W D	1	
R6208		RK73HH1J752D	MG RESISTOR	7.5kΩ 1/16W D	1	
R6209		RK73HH1J101D	MG RESISTOR	100Ω 1/16W D	1	
R6210		RK73HB1J000J	MG RESISTOR	0Ω 1/16W J	1	
R6301		RK73HB1J220J	MG RESISTOR	22Ω 1/16W J	1	
R6302		RK73HB1J220J	MG RESISTOR	22Ω 1/16W J	1	
R6303		RK73HB1J101J	MG RESISTOR	100Ω 1/16W J	1	
R6304		RK73HB1J101J	MG RESISTOR	100Ω 1/16W J	1	
R6305		RK73HB1J101J	MG RESISTOR	100Ω 1/16W J	1	
R6306		RK73HB1J101J	MG RESISTOR	100Ω 1/16W J	1	
R6307		RK73HB1J220J	MG RESISTOR	22Ω 1/16W J	1	
R6309		RK73HB1J220J	MG RESISTOR	22Ω 1/16W J	1	
R6310		RK73HB1J220J	MG RESISTOR	22Ω 1/16W J	1	
R6311		RK73HB1J220J	MG RESISTOR	22Ω 1/16W J	1	
R6312		RK73HB1J220J	MG RESISTOR	22Ω 1/16W J	1	
R6313		RK73HB1J220J	MG RESISTOR	22Ω 1/16W J	1	
R6314		RK73HB1J103J	MG RESISTOR	10kΩ 1/16W J	1	
R6315		RK73HB1J103J	MG RESISTOR	10kΩ 1/16W J	1	
R6317		RK73HB1J472J	MG RESISTOR	4.7kΩ 1/16W J	1	
R6318		RK73HB1J472J	MG RESISTOR	4.7kΩ 1/16W J	1	
R6320		RK73HB1J472J	MG RESISTOR	4.7kΩ 1/16W J	1	
R6321		RK73HB1J472J	MG RESISTOR	4.7kΩ 1/16W J	1	
R6322		RK73HB1J472J	MG RESISTOR	4.7kΩ 1/16W J	1	
R6323		RK73HB1J103J	MG RESISTOR	10kΩ 1/16W J	1	
R6324		RK73HB1J472J	MG RESISTOR	4.7kΩ 1/16W J	1	
R6327		RK73HB1J223J	MG RESISTOR	22kΩ 1/16W J	1	
R6331		RK73HB1J272J	MG RESISTOR	2.7kΩ 1/16W J	1	
R8002		RK73HB1J103J	MG RESISTOR	10kΩ 1/16W J	1	
R8003		RK73HB1J272J	MG RESISTOR	2.7kΩ 1/16W J	1	
R8004		RK73HB1J272J	MG RESISTOR	2.7kΩ 1/16W J	1	
R8005		RK73HB1J103J	MG RESISTOR	10kΩ 1/16W J	1	
R8006		RK73HB1J103J	MG RESISTOR	10kΩ 1/16W J	1	
R8007		RK73HB1J000J	MG RESISTOR	0Ω 1/16W J	1	
R8009		RK73HB1J000J	MG RESISTOR	0Ω 1/16W J	1	
R8010		RK73HB1J102J	MG RESISTOR	1kΩ 1/16W J	1	
R8011		RK73HB1J000J	MG RESISTOR	0Ω 1/16W J	1	
R8012		RK73HB1J330J	MG RESISTOR	33Ω 1/16W J	1	
R8013		RK73HB1J330J	MG RESISTOR	33Ω 1/16W J	1	
R8014		RK73HB1J330J	MG RESISTOR	33Ω 1/16W J	1	
R8015		RK73HB1J330J	MG RESISTOR	33Ω 1/16W J	1	
R8016		RK73HB1J473J	MG RESISTOR	47kΩ 1/16W J	1	
R8017		RK73HB1J473J	MG RESISTOR	47kΩ 1/16W J	1	
R8018		RK73HB1J473J	MG RESISTOR	47kΩ 1/16W J	1	
R8019		RK73HB1J473J	MG RESISTOR	47kΩ 1/16W J	1	
R8020		RK73HB1J473J	MG RESISTOR	47kΩ 1/16W J	1	
R8022		RK73HB1J101J	MG RESISTOR	100Ω 1/16W J	1	
R8024		RK73HB1J101J	MG RESISTOR	100Ω 1/16W J	1	
R8026		RK73HB1J680J	MG RESISTOR	68Ω 1/16W J	1	
R8027		RK73HB1J000J	MG RESISTOR	0Ω 1/16W J	1	
R8028		RK73HB1J680J	MG RESISTOR	68Ω 1/16W J	1	
R8029		RK73HB1J680J	MG RESISTOR	68Ω 1/16W J	1	
R8030		RK73HH1J162D	MG RESISTOR	1.6kΩ 1/16W D	1	
R8031		RK73HB1J000J	MG RESISTOR	0Ω 1/16W J	1	
R8032		RK73HH1J562D	MG RESISTOR	5.6kΩ 1/16W D	1	
R8033		RK73HH1J330D	MG RESISTOR	33Ω 1/16W D	1	
R8034		RK73HH1J331D	MG RESISTOR	330Ω 1/16W D	1	
R8037		RK73HH1J820D	MG RESISTOR	82Ω 1/16W D	1	
RA521		RK74HB1J473J	NET RESISTOR	47kΩ 1/16W J	1	
RA522		RK74HB1J473J	NET RESISTOR	47kΩ 1/16W J	1	
RA548		RK74HB1J330J	MG RESISTOR	33Ω 1/16W J	1	
RA549		RK74HB1J330J	MG RESISTOR	33Ω 1/16W J	1	
L631		LB73G0ED-004	CHIP FERRITE		1	
L5001		LB73G0ED-003	CHIP FERRITE		1	
L5002		LB73G0ED-003	CHIP FERRITE		1	
L5402		LB73G0ED-004	CHIP FERRITE		1	
L5403		LB73G0ED-004	CHIP FERRITE		1	
L5405		LB73G0ED-004	CHIP FERRITE		1	
L5406		LB73G0ED-004	CHIP FERRITE		1	
L5501		LB73G0ED-004	CHIP FERRITE		1	
L5704		LB73G0ED-004	CHIP FERRITE		1	
L5705		LB73G0ED-004	CHIP FERRITE		1	
L5706		LB73G0ED-004	CHIP FERRITE		1	
L5901		LR79Z0EW5R1N	CHIP INDUCTOR		1	
L5902		LR79Z0EW5R1N	CHIP INDUCTOR		1	
L5904		LB73G0ED-004	CHIP FERRITE		1	
L5908		LR79Z0EW5R1N	CHIP INDUCTOR		1	
L6025		LR79Z0JP5R1N	CHIP INDUCTOR		1	
L6027		LB73H0EK-001	CHIP FERRITE		1	
L6202		LR79Z0EW5R1N	CHIP INDUCTOR		1	
L8001		LB73G0ED-004	CHIP FERRITE		1	
L8002		LB73G0ED-004	CHIP FERRITE		1	
L8003		LB73G0ED-004	CHIP FERRITE		1	
L8004		LB73G0ED-004	CHIP FERRITE		1	
L8101		LK73H0AM2N2S	M.CHIP INDUCTOR		1	
L8102		LK73H0AM2N2S	M.CHIP INDUCTOR		1	
A8001		W0C-0340-00	RF MODULE		1	
AT801		T9A-0052-00	CHIP ANTENNA		1	
AT802		T9A-0052-00	CHIP ANTENNA		1	
CN527		EC720AT-0516A	FFC FPC CONNE		1	

MODEL	MARK
DNR876S	K1

Safe	Symbol No.	Parts No.	Parts Name	Description	QTY	Local
	CN561	EC720AA-0515A	FFC FPC CONNE		1	
	CN571	EA720AP-2005A	W TO B CONNE		1	
	CN581	EB760AX-05C0B	B TO B CONNE		1	
	CN601	EC720AB-0570A	FFC FPC CONNE		1	
△	F5901	FZA10BF-R50	FUSE (CC)		1	
	VA5730	SDV1005H26//0	VARIATOR		1	
	VA5731	SDV1005H26//0	VARIATOR		1	
	VA5732	SDV1005H26//0	VARIATOR		1	
	VA5733	SDV1005H26//0	VARIATOR		1	
	VA6301	SDV1005H26//0	VARIATOR		1	
	VA6302	SDV1005H26//0	VARIATOR		1	
	VA6303	SDV1005H26//0	VARIATOR		1	
	X5001	L7J-0138-00	QUARTZ CRYSTAL		1	
	X5401	L7J-0146-00	QUARTZ CRYSTAL		1	
	X5701	L7J-0156-00	QUARTZ CRYSTAL		1	
	X8001	L7H-0052-00	SPXO		1	
PANEL MECHA PWB ASSY (X16-7370-00) <X16>						
	VR1	R31-0269-05	V RESISTOR		1	