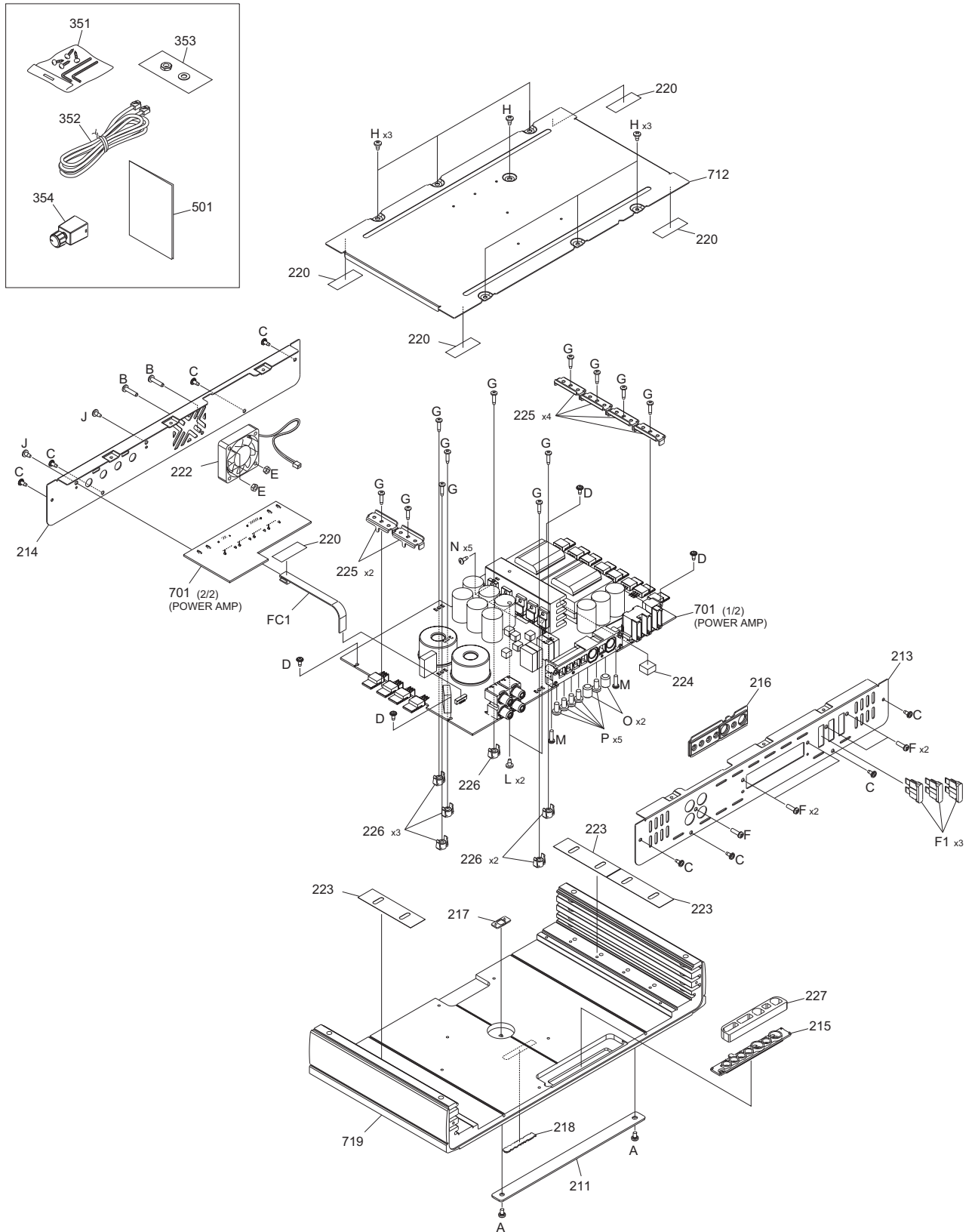


EXPLODED VIEW (UNIT)

Block No.M1MM



Parts with the exploded numbers larger than 700 are not supplied.

MODEL	MARK
XR1001-1	

Safe	Symbol No.	Parts No.	Parts Name	Description	QTY	Local
------	------------	-----------	------------	-------------	-----	-------

EXPLODED VIEW (UNIT) <M1MM>

△	F1	F52-0046-05	FUSE		3	
	FC1	EF0AD0510Y1BE	FFC WIRE		1	
	A	N0Y-0016-00	DRESSED SCREW		2	
	B	N09-6865-05	MACHINE SCREW		2	
	C	N09-6943-05	TAPTITE SCREW		8	
	D	N09-6952-05	TAPTITE SCREW		4	
	E	N10-2030-48	HEXAGON NUT-2		2	
	F	N80-3010-43	P.HEAD T.SCREW		5	
	G	N89-2612-48	BI.HEAD T.SCREW		12	
	H	N89-3006-48	BI.HEAD T.SCREW		7	
	J	N89-3008-43	BI.HEAD T.SCREW		2	
	L	N09-6135-05	TAPTITE SCREW		2	
	M	N09-6447-05	TAPTITE SCREW		2	
	N	N89-2608-48	BI.HEAD T.SCREW		5	
	O	N09-6947-08	SET SCREW		2	
	P	N09-6948-18	SET SCREW		5	
	211	A2B-0130-00	DRESSING PANEL		1	
	213	A6A-0035-10	PANEL		1	
	214	A6A-0045-00	PANEL		1	
	215	B07-3372-03	ESCUTCHEON		1	
	216	B07-3382-03	ESCUTCHEON		1	
	217	B19-2623-04	LIGHTING BOARD		1	
	218	B43-1553-04	BADGE		1	
	220	F09-1787-14	SHEET		5	
	222	F09-2974-05	FAN		1	
	223	F2A-0051-00	INS.SHEET		3	
	224	G1D-0236-00	CUSHION		1	
	225	J2B-0315-00	MOUNTING		6	
	226	J30-1066-14	SPACER		6	
	227	J3K-0055-00	SPACER		1	
	351	N9X-0032-00	SCREW/WRENCH		1	
	352	E3A-0486-00	CORD W.CON.		1	
	353	W0B-0099-00	ACCESSORIES		1	
	354	XK7-013K-00	OPERATION UNIT		1	
	501	B5A-2357-00	INST.MANUAL	ENG FRE SPA	1	
	701	-----	POWER AMP PWB ASSY	NO SERVICE PART	1	
	712	-----	BOTTOM PLATE	NO SERVICE PART	1	
	719	-----	HEAT SINK	NO SERVICE PART	1	

MODEL	MARK
XR1001-1	

Safe	Symbol No.	Parts No.	Parts Name	Description	QTY	Local
POWER AMP PWB ASSY (XK1-080K-00) <XK1>						
	IC1	NJM8065G	ANALOG IC		1	
	IC2	NJM8065G	ANALOG IC		1	
	IC3	NJM8065G	ANALOG IC		1	
	IC4	NJM8065G	ANALOG IC		1	
	IC5	NJM8065G	ANALOG IC		1	
	IC6	NJM8065G	ANALOG IC		1	
	IC7	IRS2092SPBF	MOS IC		1	
	IC8	IRS2092SPBF	MOS IC		1	
	IC9	BA2903F	MOS IC		1	
	IC10	NJM8065G	ANALOG IC		1	
	IC11	TL494ID	ANALOG IC		1	
	IC12	BA2903F	MOS IC		1	
	IC500	NJM8065G	ANALOG IC		1	
	IC501	NJM8065G	ANALOG IC		1	
	IC502	NJM8065G	ANALOG IC		1	
	IC503	NJM8065G	ANALOG IC		1	
	IC504	NJM8065G	ANALOG IC		1	
	IC505	NJM8065G	ANALOG IC		1	
	IC506	NJM2172V-ZB	BIPOLAR IC		1	
	IC507	NJM431SF	ANALOG IC		1	
	IC508	NJM8065G	ANALOG IC		1	
	Q1	LSCR523UBFS8	TRANSISTOR		1	
	Q2	LSCR523UBFS8	TRANSISTOR		1	
	Q3	IRFB4321PBF	FET		1	
	Q4	IRFB4321PBF	FET		1	
	Q5	IRFB4321PBF	FET		1	
	Q6	IRFB4321PBF	FET		1	
	Q7	LSCR523UBFS8	TRANSISTOR		1	
	Q8	LSCR523UBFS8	TRANSISTOR		1	
	Q11	IMT4	DUAL TRANSISTOR		1	
	Q12	IMT4	DUAL TRANSISTOR		1	
	Q13	LSCR523UBFS8	TRANSISTOR		1	
	Q14	LSCR523UBFS8	TRANSISTOR		1	
	Q15	2SA1163F/GB/	TRANSISTOR		1	
	Q16	2SA1163F/GB/	TRANSISTOR		1	
	Q17	2SA1163F/GB/	TRANSISTOR		1	
	Q18	2SA1163F/GB/	TRANSISTOR		1	
	Q19	2SC2713F/GB/	TRANSISTOR		1	
	Q20	2SC2713F/GB/	TRANSISTOR		1	
	Q21	LTC014EUBFS8	DIGI TRANSISTOR		1	
	Q22	LSCR523UBFS8	TRANSISTOR		1	
	Q23	LSCR523UBFS8	TRANSISTOR		1	
	Q24	LSCR523UBFS8	TRANSISTOR		1	
	Q25	LSAR523UBFS8	TRANSISTOR		1	
	Q26	LSCR523UBFS8	TRANSISTOR		1	
	Q27	LTA014EUBFS8	DIGI TRANSISTOR		1	
	Q28	LSCR523UBFS8	TRANSISTOR		1	
	Q29	2SCR293P	TRANSISTOR		1	
	Q30	LTA014EUBFS8	DIGI TRANSISTOR		1	
	Q31	LSCR523UBFS8	TRANSISTOR		1	
	Q32	LTC014EUBFS8	DIGI TRANSISTOR		1	
	Q33	LTC014EUBFS8	DIGI TRANSISTOR		1	
	Q34	LTC014EUBFS8	DIGI TRANSISTOR		1	
	Q35	LTA014EUBFS8	DIGI TRANSISTOR		1	
	Q36	LTC014EUBFS8	DIGI TRANSISTOR		1	
	Q37	RJU002N06FRA	FET		1	
	Q38	LSCR523UBFS8	TRANSISTOR		1	
	Q39	LTA014EUBFS8	DIGI TRANSISTOR		1	
	Q301	LSCR523UBFS8	TRANSISTOR		1	
	Q302	2SAR293P	TRANSISTOR		1	
	Q303	LSCR523UBFS8	TRANSISTOR		1	
	Q304	LTC014EUBFS8	DIGI TRANSISTOR		1	
	Q305	LTA014EUBFS8	DIGI TRANSISTOR		1	
	Q306	LTC014EUBFS8	DIGI TRANSISTOR		1	
	Q307	2SAR293P	TRANSISTOR		1	
	Q308	2SAR293P	TRANSISTOR		1	
	Q309	IRF3205PBF	FET		1	
	Q310	IRF3205PBF	FET		1	
	Q311	IRF3205PBF	FET		1	
	Q312	IRF3205PBF	FET		1	
	Q313	IRF3205PBF	FET		1	
	Q314	IRF3205PBF	FET		1	
	Q315	IRF3205PBF	FET		1	
	Q316	IRF3205PBF	FET		1	
	Q317	KTC2026-P	TRANSISTOR		1	
	Q318	KTA1046P/YG/	TRANSISTOR		1	
	Q319	2SCR293P	TRANSISTOR		1	
	Q320	2SAR293P	TRANSISTOR		1	
	Q321	KTC2026-P	TRANSISTOR		1	
	Q322	LTA014EUBFS8	DIGI TRANSISTOR		1	
	Q323	LTC014EUBFS8	DIGI TRANSISTOR		1	
	Q324	2SAR293P	TRANSISTOR		1	
	Q325	2SAR293P	TRANSISTOR		1	
	D1	DAN202UM	DIODE		1	
	D2	DAN202UM	DIODE		1	
	D3	DAP202UM	DIODE		1	
	D4	DAP202UM	DIODE		1	
	D5	RF101L2S	DIODE		1	
	D6	RF101L2S	DIODE		1	
	D7	1SS355VM	DIODE		1	
	D8	1SS355VM	DIODE		1	

MODEL	MARK
XR1001-1	

Safe	Symbol No.	Parts No.	Parts Name	Description	QTY	Local
	D9	1SS355VM	DIODE		1	
	D10	1SS355VM	DIODE		1	
	D11	1SS355VM	DIODE		1	
	D12	1SS355VM	DIODE		1	
	D13	DAP202UM	DIODE		1	
	D14	DAN202UM	DIODE		1	
	D15	UDZV12B	ZENER DIODE		1	
	D16	1SS355VM	DIODE		1	
	D17	1SS355VM	DIODE		1	
	D18	1SS355VM	DIODE		1	
	D19	DAN202UM	DIODE		1	
	D20	1SS355VM	DIODE		1	
	D21	1SS355VM	DIODE		1	
	D22	DAN202UM	DIODE		1	
	D23	UDZV6.8B	ZENER DIODE		1	
	D24	UDZV6.8B	ZENER DIODE		1	
	D25	1SS355VM	DIODE		1	
	D26	1SS355VM	DIODE		1	
	D27	UDZV12B	ZENER DIODE		1	
	D28	1SS355VM	DIODE		1	
	D29	1SS355VM	DIODE		1	
	D30	DAP202UM	DIODE		1	
	D31	1SS355VM	DIODE		1	
	D32	1SS355VM	DIODE		1	
	D33	1SS355VM	DIODE		1	
	D34	1SS355VM	DIODE		1	
	D35	DAP202UM	DIODE		1	
	D36	UDZV8.2B	ZENER DIODE		1	
	D37	DAN202UM	DIODE		1	
	D38	DAP202UM	DIODE		1	
	D39	DAN202UM	DIODE		1	
	D301	UDZV3.3B	ZENER DIODE		1	
	D302	UDZV15B	ZENER DIODE		1	
	D303	1SS355VM	DIODE		1	
	D304	UDZV6.8B	ZENER DIODE		1	
	D305	UDZV4.7B	ZENER DIODE		1	
	D306	1SS355VM	DIODE		1	
	D307	UDZV5.1B	ZENER DIODE		1	
	D308	DAN202UM	DIODE		1	
	D309	1SS355VM	DIODE		1	
	D310	1SS355VM	DIODE		1	
	D311	1SS355VM	DIODE		1	
	D312	1SS355VM	DIODE		1	
	D313	1SS355VM	DIODE		1	
	D314	B30-3223-15	LED		1	
	D315	EP05Q06	DIODE		1	
	D316	EP05Q06	DIODE		1	
	D317	FCH20A20	DIODE		1	
	D318	FRH20A20	DIODE		1	
	D319	UDZV15B	ZENER DIODE		1	
	D320	UDZV15B	ZENER DIODE		1	
	D321	UDZV5.6B	ZENER DIODE		1	
	D322	UDZV5.6B	ZENER DIODE		1	
	D323	EP05Q06	DIODE		1	
	D324	EP05Q06	DIODE		1	
	D325	EP05Q06	DIODE		1	
	D326	EP05Q06	DIODE		1	
	D327	UDZV12B	ZENER DIODE		1	
	D500	UDZV27B	ZENER DIODE		1	
	D501	UDZV27B	ZENER DIODE		1	
	D502	1SS355VM	DIODE		1	
	D503	1SS355VM	DIODE		1	
	D504	1SS355VM	DIODE		1	
	D505	1SS355VM	DIODE		1	
	C1	CE32CL1C100M	E CAPACITOR	10uF 16V M	1	
	C2	CE32CL1C100M	E CAPACITOR	10uF 16V M	1	
	C3	CE32CL1C100M	E CAPACITOR	10uF 16V M	1	
	C4	CE32CL1C100M	E CAPACITOR	10uF 16V M	1	
	C5	CC73GCH1H101J	C CAPACITOR	100pF 50V J	1	
	C6	CC73GCH1H101J	C CAPACITOR	100pF 50V J	1	
	C7	CC73GCH1H330J	C CAPACITOR	33pF 50V J	1	
	C8	CC73GCH1H330J	C CAPACITOR	33pF 50V J	1	
	C9	CC73GCH1H330J	C CAPACITOR	33pF 50V J	1	
	C10	CC73GCH1H330J	C CAPACITOR	33pF 50V J	1	
	C11	CC73GCH1H560J	C CAPACITOR	56pF 50V J	1	
	C12	CC73GCH1H560J	C CAPACITOR	56pF 50V J	1	
	C13	CC73GCH1H330J	C CAPACITOR	33pF 50V J	1	
	C14	CC73GCH1H330J	C CAPACITOR	33pF 50V J	1	
	C15	CC73GCH1H560J	C CAPACITOR	56pF 50V J	1	
	C16	CC73GCH1H560J	C CAPACITOR	56pF 50V J	1	
	C17	CE32CL1C100M	E CAPACITOR	10uF 16V M	1	
	C18	CE32CL1C100M	E CAPACITOR	10uF 16V M	1	
	C19	CC73GCH1H101J	C CAPACITOR	100pF 50V J	1	
	C20	CC73GCH1H101J	C CAPACITOR	100pF 50V J	1	
	C21	CE32CL1C100M	E CAPACITOR	10uF 16V M	1	
	C22	CE32CL1C100M	E CAPACITOR	10uF 16V M	1	
	C23	CK73GXR1H103K	C CAPACITOR	0.01uF 50V K	1	
	C24	CK73GXR1H103K	C CAPACITOR	0.01uF 50V K	1	
	C25	CK73GXR1H103K	C CAPACITOR	0.01uF 50V K	1	
	C26	CK73GXR1H103K	C CAPACITOR	0.01uF 50V K	1	
	C27	CK73GXR1H103K	C CAPACITOR	0.01uF 50V K	1	
	C28	CK73GXR1H103K	C CAPACITOR	0.01uF 50V K	1	

MODEL	MARK
XR1001-1	

Safe	Symbol No.	Parts No.	Parts Name	Description	QTY	Local
C29		CK73GXR1H103K	C CAPACITOR	0.01uF 50V K	1	
C30		CK73GXR1H103K	C CAPACITOR	0.01uF 50V K	1	
C31		CK73GXR1H103K	C CAPACITOR	0.01uF 50V K	1	
C32		CK73GXR1H103K	C CAPACITOR	0.01uF 50V K	1	
C33		CK73GXR1H332K	C CAPACITOR	3300pF 50V K	1	
C34		CK73GXR1H332K	C CAPACITOR	3300pF 50V K	1	
C35		CK73GXR1H103K	C CAPACITOR	0.01uF 50V K	1	
C36		CK73GXR1H103K	C CAPACITOR	0.01uF 50V K	1	
C37		CK73GXR1H103K	C CAPACITOR	0.01uF 50V K	1	
C38		CK73GXR1H103K	C CAPACITOR	0.01uF 50V K	1	
C39		CE32CL1C100M	E CAPACITOR	10uF 16V M	1	
C40		CE32CL1C100M	E CAPACITOR	10uF 16V M	1	
C41		CC73GCH1H102J	C CAPACITOR	1000pF 50V J	1	
C42		CC73GCH1H102J	C CAPACITOR	1000pF 50V J	1	
C43		CC73GCH1H102J	C CAPACITOR	1000pF 50V J	1	
C44		CC73GCH1H102J	C CAPACITOR	1000pF 50V J	1	
C45		CC73GCH1H102J	C CAPACITOR	1000pF 50V J	1	
C46		CC73GCH1H102J	C CAPACITOR	1000pF 50V J	1	
C47		CK73FXR1C106K	C CAPACITOR	10uF 16V K	1	
C48		CK73FXR1C106K	C CAPACITOR	10uF 16V K	1	
C49		CK73FXR1C106K	C CAPACITOR	10uF 16V K	1	
C50		CK73FXR1C106K	C CAPACITOR	10uF 16V K	1	
C51		CK73FXR1C106K	C CAPACITOR	10uF 16V K	1	
C52		CK73FXR1C106K	C CAPACITOR	10uF 16V K	1	
C53		CK73GXR1H104K	C CAPACITOR	0.1uF 50V K	1	
C54		CK73GXR1H104K	C CAPACITOR	0.1uF 50V K	1	
C55		CK73FXR1C106K	C CAPACITOR	10uF 16V K	1	
C56		CK73FXR1C106K	C CAPACITOR	10uF 16V K	1	
C57		CK73EXR1C226K	C CAPACITOR	22uF 16V K	1	
C58		CK73EXR1C226K	C CAPACITOR	22uF 16V K	1	
C59		CK73GXR1H104K	C CAPACITOR	0.1uF 50V K	1	
C60		CK73GXR1H104K	C CAPACITOR	0.1uF 50V K	1	
C61		CC73GCH1H102J	C CAPACITOR	1000pF 50V J	1	
C62		CC73GCH1H102J	C CAPACITOR	1000pF 50V J	1	
C63		CC73GCH1H102J	C CAPACITOR	1000pF 50V J	1	
C64		CC73GCH1H102J	C CAPACITOR	1000pF 50V J	1	
C65		CC73GCH1H102J	C CAPACITOR	1000pF 50V J	1	
C66		CC73GCH1H102J	C CAPACITOR	1000pF 50V J	1	
C67		CC73GCH1H102J	C CAPACITOR	1000pF 50V J	1	
C68		CC73GCH1H102J	C CAPACITOR	1000pF 50V J	1	
C69		CC73GCH1H102J	C CAPACITOR	1000pF 50V J	1	
C70		CC73GCH1H102J	C CAPACITOR	1000pF 50V J	1	
C71		CC73GCH1H102J	C CAPACITOR	1000pF 50V J	1	
C72		CC73GCH1H102J	C CAPACITOR	1000pF 50V J	1	
C73		CK73FXR1H224K	C CAPACITOR	0.22uF 50V K	1	
C74		CK73FXR1H224K	C CAPACITOR	0.22uF 50V K	1	
C75		CK73FXR1H224K	C CAPACITOR	0.22uF 50V K	1	
C76		CK73FXR1H224K	C CAPACITOR	0.22uF 50V K	1	
C77		CK73FXR1H224K	C CAPACITOR	0.22uF 50V K	1	
C78		CK73FXR1H224K	C CAPACITOR	0.22uF 50V K	1	
C79		CE32BF1J220M	E CAPACITOR	22uF 63V M	1	
C80		CE32BF1J220M	E CAPACITOR	22uF 63V M	1	
C81		CK73FXR1H224K	C CAPACITOR	0.22uF 50V K	1	
C82		CK73FXR1H224K	C CAPACITOR	0.22uF 50V K	1	
C83		CK73FXR1H224K	C CAPACITOR	0.22uF 50V K	1	
C84		CK73FXR1H224K	C CAPACITOR	0.22uF 50V K	1	
C85		CC73GCH1H331J	C CAPACITOR	330pF 50V J	1	
C86		CC73GCH1H331J	C CAPACITOR	330pF 50V J	1	
C87		CC73GCH1H331J	C CAPACITOR	330pF 50V J	1	
C88		CC73GCH1H331J	C CAPACITOR	330pF 50V J	1	
C89		CE32BF1J220M	E CAPACITOR	22uF 63V M	1	
C90		CE32BF1J220M	E CAPACITOR	22uF 63V M	1	
C91		CK73FXR1H224K	C CAPACITOR	0.22uF 50V K	1	
C92		CK73FXR1H224K	C CAPACITOR	0.22uF 50V K	1	
C93		CK73FXR1H224K	C CAPACITOR	0.22uF 50V K	1	
C94		CK73FXR1H224K	C CAPACITOR	0.22uF 50V K	1	
C95		CB73QAD1J155M	FILM CAPACITOR	1.5uF 63V M	1	
C96		CB73QAD1J155M	FILM CAPACITOR	1.5uF 63V M	1	
C97		CK73FXR1H224K	C CAPACITOR	0.22uF 50V K	1	
C98		CK73FXR1H224K	C CAPACITOR	0.22uF 50V K	1	
C99		CK73FXR1H224K	C CAPACITOR	0.22uF 50V K	1	
C100		CK73FXR1H224K	C CAPACITOR	0.22uF 50V K	1	
C101		CK73GXR1H223K	C CAPACITOR	0.022uF 50V K	1	
C102		CK73GXR1H223K	C CAPACITOR	0.022uF 50V K	1	
C103		CK73GXR1H223K	C CAPACITOR	0.022uF 50V K	1	
C104		CK73GXR1H223K	C CAPACITOR	0.022uF 50V K	1	
C105		CK73GXR1H222K	C CAPACITOR	2200pF 50V K	1	
C106		CK73GXR1H222K	C CAPACITOR	2200pF 50V K	1	
C107		CK73FXR1C106K	C CAPACITOR	10uF 16V K	1	
C108		CK73FXR1C106K	C CAPACITOR	10uF 16V K	1	
C109		CK73GXR1C474K	C CAPACITOR	0.47uF 16V K	1	
C110		CK73GXR1C474K	C CAPACITOR	0.47uF 16V K	1	
C111		CC73GCH1H102J	C CAPACITOR	1000pF 50V J	1	
C112		CC73GCH1H102J	C CAPACITOR	1000pF 50V J	1	
C113		CC73GCH1H102J	C CAPACITOR	1000pF 50V J	1	
C114		CC73GCH1H102J	C CAPACITOR	1000pF 50V J	1	
C115		CK73GXR1H103K	C CAPACITOR	0.01uF 50V K	1	
C116		CK73GXR1H103K	C CAPACITOR	0.01uF 50V K	1	
C117		CK73GXR1H103K	C CAPACITOR	0.01uF 50V K	1	
C118		CE32CL1C470M	E CAPACITOR	47uF 16V M	1	
C119		CK73GXR1H103K	C CAPACITOR	0.01uF 50V K	1	
C120		CK73FXR1C106K	C CAPACITOR	10uF 16V K	1	
C121		CK73GXR1H103K	C CAPACITOR	0.01uF 50V K	1	

MODEL	MARK
XR1001-1	

Safe	Symbol No.	Parts No.	Parts Name	Description	QTY	Local
	C122	CK73GXR1C105K	C CAPACITOR	1uF 16V K	1	
	C123	CK73FXR1C106K	C CAPACITOR	10uF 16V K	1	
	C124	CK73GXR1C225K	C CAPACITOR	2.2uF 16V K	1	
	C125	CE32CL1C100M	E CAPACITOR	10uF 16V M	1	
	C126	CE32CL1C100M	E CAPACITOR	10uF 16V M	1	
	C127	CK73GXR1H103K	C CAPACITOR	0.01uF 50V K	1	
	C128	CK73GXR1H103K	C CAPACITOR	0.01uF 50V K	1	
	C129	CC73GCH1H102J	C CAPACITOR	1000pF 50V J	1	
	C130	CC73GCH1H102J	C CAPACITOR	1000pF 50V J	1	
	C131	CK73FXR1H224K	C CAPACITOR	0.22uF 50V K	1	
	C132	CK73FXR1H224K	C CAPACITOR	0.22uF 50V K	1	
	C133	CK73GXR1H223K	C CAPACITOR	0.022uF 50V K	1	
	C134	CK73GXR1H223K	C CAPACITOR	0.022uF 50V K	1	
	C135	CK73GXR1H103K	C CAPACITOR	0.01uF 50V K	1	
	C136	CK73GXR1H103K	C CAPACITOR	0.01uF 50V K	1	
	C137	CK73GXR1H103K	C CAPACITOR	0.01uF 50V K	1	
	C138	CK73GXR1H103K	C CAPACITOR	0.01uF 50V K	1	
	C139	CC73GCH1H101J	C CAPACITOR	100pF 50V J	1	
	C140	CK73GXR1C105K	C CAPACITOR	1uF 16V K	1	
	C141	CK73FXR1C106K	C CAPACITOR	10uF 16V K	1	
	C142	CK73FXR1C106K	C CAPACITOR	10uF 16V K	1	
	C143	CK73GXR1H103K	C CAPACITOR	0.01uF 50V K	1	
	C144	CK73GXR1H103K	C CAPACITOR	0.01uF 50V K	1	
	C145	CK73GXR1H103K	C CAPACITOR	0.01uF 50V K	1	
	C146	CK73GXR1H103K	C CAPACITOR	0.01uF 50V K	1	
	C147	CK73GXR1H103K	C CAPACITOR	0.01uF 50V K	1	
	C148	CE32CL1C100M	E CAPACITOR	10uF 16V M	1	
	C149	CE32CL1C100M	E CAPACITOR	10uF 16V M	1	
	C150	CK73EXR1C226K	C CAPACITOR	22uF 16V K	1	
	C151	CK73GXR1C105K	C CAPACITOR	1uF 16V K	1	
	C152	CK73GXR1H103K	C CAPACITOR	0.01uF 50V K	1	
	C153	CK73GXR1H104K	C CAPACITOR	0.1uF 50V K	1	
	C154	CK73GXR1H104K	C CAPACITOR	0.1uF 50V K	1	
	C201	CK73GXR1H104K	C CAPACITOR	0.1uF 50V K	1	
	C202	CK73GXR1H104K	C CAPACITOR	0.1uF 50V K	1	
	C203	CK73GXR1H104K	C CAPACITOR	0.1uF 50V K	1	
	C204	CC73GCH1H102J	C CAPACITOR	1000pF 50V J	1	
	C211	CE32CL1C100M	E CAPACITOR	10uF 16V M	1	
	C212	CE32CL1C100M	E CAPACITOR	10uF 16V M	1	
	C213	CE32CL1C100M	E CAPACITOR	10uF 16V M	1	
	C214	CE32CL1H010M	E CAPACITOR	1uF 50V M	1	
	C215	CE32CL1A101M	E CAPACITOR	100uF 10V M	1	
	C217	CE32CL1C100M	E CAPACITOR	10uF 16V M	1	
	C218	CC73GCH1H102J	C CAPACITOR	1000pF 50V J	1	
	C219	CE32CL1C470M	E CAPACITOR	47uF 16V M	1	
	C220	CE32CL1C470M	E CAPACITOR	47uF 16V M	1	
	C221	CC73GCH1H560J	C CAPACITOR	56pF 50V J	1	
	C222	CE32CL1C100M	E CAPACITOR	10uF 16V M	1	
	C300	CK73EXR1E106K	C CAPACITOR	10uF 25V K	1	
	C301	CK73GXR1H103K	C CAPACITOR	0.01uF 50V K	1	
	C302	CK73GXR1H104K	C CAPACITOR	0.1uF 50V K	1	
	C303	CK73GXR1H103K	C CAPACITOR	0.01uF 50V K	1	
	C304	CK73GXR1H103K	C CAPACITOR	0.01uF 50V K	1	
	C305	CK73GXR1C105K	C CAPACITOR	1uF 16V K	1	
	C306	CK73GXR1C105K	C CAPACITOR	1uF 16V K	1	
	C307	CC73GCH1H102J	C CAPACITOR	1000pF 50V J	1	
	C308	CK73GXR1H104K	C CAPACITOR	0.1uF 50V K	1	
	C309	CK73GXR1H104K	C CAPACITOR	0.1uF 50V K	1	
	C310	CK73GXR1H104K	C CAPACITOR	0.1uF 50V K	1	
	C311	CC73GCH1H102J	C CAPACITOR	1000pF 50V J	1	
	C312	CE32CL0J470M	E CAPACITOR	47uF 6.3V M	1	
	C313	CK73GXR1C105K	C CAPACITOR	1uF 16V K	1	
	C314	CK73GXR1H103K	C CAPACITOR	0.01uF 50V K	1	
	C315	CK73GXR1H222K	C CAPACITOR	2200pF 50V K	1	
	C316	CK73GXR1H222K	C CAPACITOR	2200pF 50V K	1	
	C317	CC73GCH1H102J	C CAPACITOR	1000pF 50V J	1	
	C318	CC73GCH1H102J	C CAPACITOR	1000pF 50V J	1	
	C319	CD040DZ1C862M	E CAPACITOR	8600uF 16V M	1	
	C320	CD040DZ1C862M	E CAPACITOR	8600uF 16V M	1	
	C321	CD040DZ1C862M	E CAPACITOR	8600uF 16V M	1	
	C322	CK73GGB1H472K	C CAPACITOR	4700pF 50V K	1	
	C323	CK73GGB1H472K	C CAPACITOR	4700pF 50V K	1	
	C324	CK73GGB1H472K	C CAPACITOR	4700pF 50V K	1	
	C325	CK73GGB1H472K	C CAPACITOR	4700pF 50V K	1	
	C326	CK73GGB1H472K	C CAPACITOR	4700pF 50V K	1	
	C327	CK73GGB1H472K	C CAPACITOR	4700pF 50V K	1	
	C328	CK73GGB1H472K	C CAPACITOR	4700pF 50V K	1	
	C329	CK73GGB1H472K	C CAPACITOR	4700pF 50V K	1	
	C330	CD040CT1H182M	E CAPACITOR	1800uF 50V M	1	
	C331	CD040CT1H182M	E CAPACITOR	1800uF 50V M	1	
	C332	CD040CT1H182M	E CAPACITOR	1800uF 50V M	1	
	C333	CD040CT1H182M	E CAPACITOR	1800uF 50V M	1	
	C334	CD040CT1H182M	E CAPACITOR	1800uF 50V M	1	
	C335	CD040CT1H182M	E CAPACITOR	1800uF 50V M	1	
	C336	CK73GXR1H223K	C CAPACITOR	0.022uF 50V K	1	
	C337	CK73GXR1H223K	C CAPACITOR	0.022uF 50V K	1	
	C338	CK73GXR1H223K	C CAPACITOR	0.022uF 50V K	1	
	C339	CK73GXR1H223K	C CAPACITOR	0.022uF 50V K	1	
	C340	CK73FXR1C106K	C CAPACITOR	10uF 16V K	1	
	C341	CK73FXR1C106K	C CAPACITOR	10uF 16V K	1	
	C342	CE32CL1C470M	E CAPACITOR	47uF 16V M	1	
	C343	CE32CL1C470M	E CAPACITOR	47uF 16V M	1	

MODEL	MARK
XR1001-1	

Safe	Symbol No.	Parts No.	Parts Name	Description	QTY	Local
C344		CC73GCH1H050C	C CAPACITOR	5pF 50V C	1	
C345		CC73GCH1H050C	C CAPACITOR	5pF 50V C	1	
C346		CC73GCH1H050C	C CAPACITOR	5pF 50V C	1	
C347		CC73GCH1H050C	C CAPACITOR	5pF 50V C	1	
C348		CC73GCH1H050C	C CAPACITOR	5pF 50V C	1	
C349		CC73GCH1H050C	C CAPACITOR	5pF 50V C	1	
C350		CK73FXR1C106K	C CAPACITOR	10uF 16V K	1	
C351		CK73FXR1C106K	C CAPACITOR	10uF 16V K	1	
C352		CE32CL1C470M	E CAPACITOR	47uF 16V M	1	
C353		CE32CL1C470M	E CAPACITOR	47uF 16V M	1	
C354		CK73FXR1C106K	C CAPACITOR	10uF 16V K	1	
C355		CE32BY1C221M	E CAPACITOR	220uF 16V M	1	
C356		CK73GXR1H103K	C CAPACITOR	0.01uF 50V K	1	
C357		CK73GXR1H103K	C CAPACITOR	0.01uF 50V K	1	
C358		CK73GXR1H103K	C CAPACITOR	0.01uF 50V K	1	
C359		CK73GXR1H103K	C CAPACITOR	0.01uF 50V K	1	
C360		CK73GXR1H103K	C CAPACITOR	0.01uF 50V K	1	
C361		CK73GXR1H103K	C CAPACITOR	0.01uF 50V K	1	
C362		CK73GXR1H103K	C CAPACITOR	0.01uF 50V K	1	
C363		CK73GXR1H103K	C CAPACITOR	0.01uF 50V K	1	
C364		CE32BF1V221M	E CAPACITOR	220uF 35V M	1	
C371		CC73GCH1H102J	C CAPACITOR	1000pF 50V J	1	
C372		CC73GCH1H102J	C CAPACITOR	1000pF 50V J	1	
C373		CK73GXR1H222K	C CAPACITOR	2200pF 50V K	1	
C374		CK73GXR1H222K	C CAPACITOR	2200pF 50V K	1	
C375		CK73GXR1H103K	C CAPACITOR	0.01uF 50V K	1	
C376		CK73GXR1H103K	C CAPACITOR	0.01uF 50V K	1	
C377		CK73GXR1H103K	C CAPACITOR	0.01uF 50V K	1	
C378		CK73GXR1H103K	C CAPACITOR	0.01uF 50V K	1	
C379		CK73GXR1H103K	C CAPACITOR	0.01uF 50V K	1	
C380		CK73GXR1H103K	C CAPACITOR	0.01uF 50V K	1	
C396		CC73GCH1H050C	C CAPACITOR	5pF 50V C	1	
C397		CC73GCH1H050C	C CAPACITOR	5pF 50V C	1	
C398		CC73GCH1H050C	C CAPACITOR	5pF 50V C	1	
C500		CC73GCH1H560J	C CAPACITOR	56pF 50V J	1	
C502		CK73GXR1H103K	C CAPACITOR	0.01uF 50V K	1	
C503		CK73GXR1H103K	C CAPACITOR	0.01uF 50V K	1	
C504		CE32CL1HR22M	E CAPACITOR	0.22uF 50V M	1	
C505		CE32CL1HR47M	E CAPACITOR	0.47uF 50V M	1	
C506		CE32CL1HR47M	E CAPACITOR	0.47uF 50V M	1	
C507		CE32CL1HR22M	E CAPACITOR	0.22uF 50V M	1	
C508		CK73GBB1E154K	C CAPACITOR	0.15uF 25V K	1	
C509		CE32CL1C100M	E CAPACITOR	10uF 16V M	1	
C510		CK73GXR1H103K	C CAPACITOR	0.01uF 50V K	1	
C511		CK73GXR1H103K	C CAPACITOR	0.01uF 50V K	1	
C512		CC73GCH1H681J	C CAPACITOR	680pF 50V J	1	
C513		CE32CL1V4R7M	E CAPACITOR	4.7uF 35V M	1	
C514		CK73GXR1H104K	C CAPACITOR	0.1uF 50V K	1	
C515		CK73GXR1H103K	C CAPACITOR	0.01uF 50V K	1	
C516		CK73GXR1H103K	C CAPACITOR	0.01uF 50V K	1	
C517		CK73GBB1H683K	C CAPACITOR	0.068uF 50V K	1	
C518		CK73GBB1H683K	C CAPACITOR	0.068uF 50V K	1	
C519		CK73GXR1H223K	C CAPACITOR	0.022uF 50V K	1	
C520		CK73GXR1H104K	C CAPACITOR	0.1uF 50V K	1	
C521		CK73GXR1H223K	C CAPACITOR	0.022uF 50V K	1	
C522		CK73GXR1H103K	C CAPACITOR	0.01uF 50V K	1	
C523		CK73GXR1H103K	C CAPACITOR	0.01uF 50V K	1	
C524		CK73EXR1C226K	C CAPACITOR	22uF 16V K	1	
C525		CK73GXR1C105K	C CAPACITOR	1uF 16V K	1	
C526		CC73GCH1H102J	C CAPACITOR	1000pF 50V J	1	
C527		CK73GXR1H103K	C CAPACITOR	0.01uF 50V K	1	
C528		CK73GXR1H103K	C CAPACITOR	0.01uF 50V K	1	
C529		CK73GXR1C105K	C CAPACITOR	1uF 16V K	1	
C530		CK73GXR1H103K	C CAPACITOR	0.01uF 50V K	1	
C531		CK73GXR1H103K	C CAPACITOR	0.01uF 50V K	1	
C532		CC73GCH1H102J	C CAPACITOR	1000pF 50V J	1	
C533		CK73GXR1H103K	C CAPACITOR	0.01uF 50V K	1	
C534		CK73GXR1H103K	C CAPACITOR	0.01uF 50V K	1	
C535		CK73GBB1H822K	C CAPACITOR	8200pF 50V K	1	
C536		CK73GXR1H104K	C CAPACITOR	0.1uF 50V K	1	
C537		CK73GXR1H223K	C CAPACITOR	0.022uF 50V K	1	
C538		CE32CL1C100M	E CAPACITOR	10uF 16V M	1	
C539		CK73GXR1H103K	C CAPACITOR	0.01uF 50V K	1	
C540		CK73GXR1H103K	C CAPACITOR	0.01uF 50V K	1	
R1		RK73GB2A752J	MG RESISTOR	7.5kΩ 1/10W J	1	
R2		RK73GB2A752J	MG RESISTOR	7.5kΩ 1/10W J	1	
R3		RK73GB2A752J	MG RESISTOR	7.5kΩ 1/10W J	1	
R4		RK73GB2A752J	MG RESISTOR	7.5kΩ 1/10W J	1	
R5		RK73GB2A224J	MG RESISTOR	220kΩ 1/10W J	1	
R6		RK73GB2A224J	MG RESISTOR	220kΩ 1/10W J	1	
R7		RK73GB2A472J	MG RESISTOR	4.7kΩ 1/10W J	1	
R8		RK73GB2A472J	MG RESISTOR	4.7kΩ 1/10W J	1	
R9		RK73GB2A472J	MG RESISTOR	4.7kΩ 1/10W J	1	
R10		RK73GB2A472J	MG RESISTOR	4.7kΩ 1/10W J	1	
R11		RK73GB2A224J	MG RESISTOR	220kΩ 1/10W J	1	
R12		RK73GB2A224J	MG RESISTOR	220kΩ 1/10W J	1	
R13		RK73GH2A103D	MG RESISTOR	10kΩ 1/10W D	1	
R14		RK73GH2A103D	MG RESISTOR	10kΩ 1/10W D	1	
R15		RK73GH2A103D	MG RESISTOR	10kΩ 1/10W D	1	
R16		RK73GH2A103D	MG RESISTOR	10kΩ 1/10W D	1	
R17		RK73GH2A103D	MG RESISTOR	10kΩ 1/10W D	1	
R18		RK73GH2A103D	MG RESISTOR	10kΩ 1/10W D	1	

MODEL	MARK
XR1001-1	

Safe	Symbol No.	Parts No.	Parts Name	Description	QTY	Local
R19		RK73GH2A103D	MG RESISTOR	10kΩ 1/10W D	1	
R20		RK73GH2A103D	MG RESISTOR	10kΩ 1/10W D	1	
R21		RK73GB2A103J	MG RESISTOR	10kΩ 1/10W J	1	
R22		RK73GB2A103J	MG RESISTOR	10kΩ 1/10W J	1	
R23		RK73GB2A361J	MG RESISTOR	360Ω 1/10W J	1	
R24		RK73GB2A361J	MG RESISTOR	360Ω 1/10W J	1	
R25		RK73GB2A103J	MG RESISTOR	10kΩ 1/10W J	1	
R26		RK73GB2A103J	MG RESISTOR	10kΩ 1/10W J	1	
R27		RK73GB2A243J	MG RESISTOR	24kΩ 1/10W J	1	
R28		RK73GB2A243J	MG RESISTOR	24kΩ 1/10W J	1	
R29		RK73GB2A562J	MG RESISTOR	5.6kΩ 1/10W J	1	
R30		RK73GB2A562J	MG RESISTOR	5.6kΩ 1/10W J	1	
R31		RK73GB2A133J	MG RESISTOR	13kΩ 1/10W J	1	
R32		RK73GB2A133J	MG RESISTOR	13kΩ 1/10W J	1	
R33		RK73GB2A562J	MG RESISTOR	5.6kΩ 1/10W J	1	
R34		RK73GB2A562J	MG RESISTOR	5.6kΩ 1/10W J	1	
R35		RK73GB2A224J	MG RESISTOR	220kΩ 1/10W J	1	
R36		RK73GB2A224J	MG RESISTOR	220kΩ 1/10W J	1	
R37		RK73GB2A472J	MG RESISTOR	4.7kΩ 1/10W J	1	
R38		RK73GB2A472J	MG RESISTOR	4.7kΩ 1/10W J	1	
R39		RK73GB2A332J	MG RESISTOR	3.3kΩ 1/10W J	1	
R40		RK73GB2A332J	MG RESISTOR	3.3kΩ 1/10W J	1	
R41		RK73GB2A751J	MG RESISTOR	750Ω 1/10W J	1	
R42		RK73GB2A511J	MG RESISTOR	510Ω 1/10W J	1	
R43		RK73GB2A1R0J	MG RESISTOR	1Ω 1/10W J	1	
R44		RK73GB2A1R0J	MG RESISTOR	1Ω 1/10W J	1	
R45		RK73GB2A1R0J	MG RESISTOR	1Ω 1/10W J	1	
R46		RK73GB2A1R0J	MG RESISTOR	1Ω 1/10W J	1	
R47		RK73GB2A101J	MG RESISTOR	100Ω 1/10W J	1	
R48		RK73GB2A101J	MG RESISTOR	100Ω 1/10W J	1	
R49		RK73GB2A103J	MG RESISTOR	10kΩ 1/10W J	1	
R50		RK73GB2A103J	MG RESISTOR	10kΩ 1/10W J	1	
R51		RK73GB2A473J	MG RESISTOR	47kΩ 1/10W J	1	
R52		RK73GB2A473J	MG RESISTOR	47kΩ 1/10W J	1	
R53		RK73GB2A103J	MG RESISTOR	10kΩ 1/10W J	1	
R54		RK73GB2A103J	MG RESISTOR	10kΩ 1/10W J	1	
R55		RK73GB2A103J	MG RESISTOR	10kΩ 1/10W J	1	
R56		RK73GB2A103J	MG RESISTOR	10kΩ 1/10W J	1	
R57		RK73GB2A103J	MG RESISTOR	10kΩ 1/10W J	1	
R58		RK73GB2A103J	MG RESISTOR	10kΩ 1/10W J	1	
R59		RK73FB2B4R7J	MG RESISTOR	4.7Ω 1/8W J	1	
R60		RK73FB2B4R7J	MG RESISTOR	4.7Ω 1/8W J	1	
R61		RK73FB2B100J	MG RESISTOR	10Ω 1/8W J	1	
R62		RK73FB2B100J	MG RESISTOR	10Ω 1/8W J	1	
R63		RK73EB2E4R7J	MG RESISTOR	4.7Ω 1/4W J	1	
R64		RK73EB2E4R7J	MG RESISTOR	4.7Ω 1/4W J	1	
R65		RK73EB2E4R7J	MG RESISTOR	4.7Ω 1/4W J	1	
R66		RK73EB2E4R7J	MG RESISTOR	4.7Ω 1/4W J	1	
R71		RK73PB2H100J	MG RESISTOR	10Ω 1/2W J	1	
R72		RK73PB2H100J	MG RESISTOR	10Ω 1/2W J	1	
R73		RK73PB2H100J	MG RESISTOR	10Ω 1/2W J	1	
R74		RK73PB2H100J	MG RESISTOR	10Ω 1/2W J	1	
R75		RK73GB2A102J	MG RESISTOR	1kΩ 1/10W J	1	
R76		RK73GB2A102J	MG RESISTOR	1kΩ 1/10W J	1	
R77		RK73GB2A223J	MG RESISTOR	22kΩ 1/10W J	1	
R78		RK73GB2A223J	MG RESISTOR	22kΩ 1/10W J	1	
R79		RK73GB2A753J	MG RESISTOR	75kΩ 1/10W J	1	
R80		RK73GB2A753J	MG RESISTOR	75kΩ 1/10W J	1	
R81		RK73GB2A222J	MG RESISTOR	2.2kΩ 1/10W J	1	
R82		RK73GB2A222J	MG RESISTOR	2.2kΩ 1/10W J	1	
R83		RK73GB2A102J	MG RESISTOR	1kΩ 1/10W J	1	
R84		RK73GB2A102J	MG RESISTOR	1kΩ 1/10W J	1	
R85		RK73GB2A334J	MG RESISTOR	330kΩ 1/10W J	1	
R86		RK73GB2A334J	MG RESISTOR	330kΩ 1/10W J	1	
R87		RK73PB2H220J	MG RESISTOR	22Ω 1/2W J	1	
R88		RK73PB2H220J	MG RESISTOR	22Ω 1/2W J	1	
R89		RK73EB2E472J	MG RESISTOR	4.7kΩ 1/4W J	1	
R90		RK73EB2E472J	MG RESISTOR	4.7kΩ 1/4W J	1	
R91		RK73EB2E472J	MG RESISTOR	4.7kΩ 1/4W J	1	
R92		RK73EB2E472J	MG RESISTOR	4.7kΩ 1/4W J	1	
R93		RK73EB2E113J	MG RESISTOR	11kΩ 1/4W J	1	
R94		RK73EB2E113J	MG RESISTOR	11kΩ 1/4W J	1	
R95		RZ19E0AA20LJ	RESISTOR	20mΩ J	1	
R96		RZ19E0AA20LJ	RESISTOR	20mΩ J	1	
R97		RK73GB2A104J	MG RESISTOR	100kΩ 1/10W J	1	
R98		RK73GB2A104J	MG RESISTOR	100kΩ 1/10W J	1	
R99		RK73GB2A562J	MG RESISTOR	5.6kΩ 1/10W J	1	
R100		RK73GB2A562J	MG RESISTOR	5.6kΩ 1/10W J	1	
R101		RK73GB2A104J	MG RESISTOR	100kΩ 1/10W J	1	
R102		RK73GB2A104J	MG RESISTOR	100kΩ 1/10W J	1	
R103		RK73GB2A102J	MG RESISTOR	1kΩ 1/10W J	1	
R104		RK73GB2A102J	MG RESISTOR	1kΩ 1/10W J	1	
R105		RK73GB2A333J	MG RESISTOR	33kΩ 1/10W J	1	
R106		RK73GB2A333J	MG RESISTOR	33kΩ 1/10W J	1	
R107		RK73GB2A473J	MG RESISTOR	47kΩ 1/10W J	1	
R108		RK73GB2A473J	MG RESISTOR	47kΩ 1/10W J	1	
R109		RK73GB2A473J	MG RESISTOR	47kΩ 1/10W J	1	
R110		RK73GB2A473J	MG RESISTOR	47kΩ 1/10W J	1	
R111		RK73GB2A273J	MG RESISTOR	27kΩ 1/10W J	1	
R112		RK73GB2A273J	MG RESISTOR	27kΩ 1/10W J	1	
R113		RK73GB2A752J	MG RESISTOR	7.5kΩ 1/10W J	1	
R114		RK73GB2A752J	MG RESISTOR	7.5kΩ 1/10W J	1	
R115		RK73GB2A224J	MG RESISTOR	220kΩ 1/10W J	1	

MODEL	MARK
XR1001-1	

Safe	Symbol No.	Parts No.	Parts Name	Description	QTY	Local
	R116	RK73GB2A224J	MG RESISTOR	220kΩ 1/10W J	1	
	R117	RZ19E0AA20LJ	RESISTOR	20mΩ J	1	
	R118	RZ19E0AA20LJ	RESISTOR	20mΩ J	1	
	R119	RZ19E0AA20LJ	RESISTOR	20mΩ J	1	
	R120	RZ19E0AA20LJ	RESISTOR	20mΩ J	1	
	R121	RK73GB2A473J	MG RESISTOR	47kΩ 1/10W J	1	
	R122	RK73GB2A473J	MG RESISTOR	47kΩ 1/10W J	1	
	R123	RK73GB2A273J	MG RESISTOR	27kΩ 1/10W J	1	
	R124	RK73GB2A273J	MG RESISTOR	27kΩ 1/10W J	1	
	R125	RK73GB2A273J	MG RESISTOR	27kΩ 1/10W J	1	
	R126	RK73GB2A273J	MG RESISTOR	27kΩ 1/10W J	1	
	R127	RK73GB2A473J	MG RESISTOR	47kΩ 1/10W J	1	
	R128	RK73GB2A473J	MG RESISTOR	47kΩ 1/10W J	1	
	R129	RK73GB2A223J	MG RESISTOR	22kΩ 1/10W J	1	
	R130	RK73GB2A223J	MG RESISTOR	22kΩ 1/10W J	1	
	R131	RK73GB2A103J	MG RESISTOR	10kΩ 1/10W J	1	
	R132	RK73GB2A103J	MG RESISTOR	10kΩ 1/10W J	1	
	R133	RK73GB2A393J	MG RESISTOR	39kΩ 1/10W J	1	
	R134	RK73GB2A393J	MG RESISTOR	39kΩ 1/10W J	1	
	R135	RK73GB2A223J	MG RESISTOR	22kΩ 1/10W J	1	
	R136	RK73GB2A622J	MG RESISTOR	6.2kΩ 1/10W J	1	
	R137	RK73GB2A102J	MG RESISTOR	1kΩ 1/10W J	1	
	R138	RK73GB2A333J	MG RESISTOR	33kΩ 1/10W J	1	
	R139	RK73GB2A124J	MG RESISTOR	120kΩ 1/10W J	1	
	R140	RK73GB2A102J	MG RESISTOR	1kΩ 1/10W J	1	
	R141	RK73GB2A104J	MG RESISTOR	100kΩ 1/10W J	1	
	R142	RK73GB2A101J	MG RESISTOR	100Ω 1/10W J	1	
	R143	RK73GB2A273J	MG RESISTOR	27kΩ 1/10W J	1	
	R144	RK73GB2A472J	MG RESISTOR	4.7kΩ 1/10W J	1	
	R145	RK73GB2A103J	MG RESISTOR	10kΩ 1/10W J	1	
	R146	RK73GB2A103J	MG RESISTOR	10kΩ 1/10W J	1	
	R147	RK73GB2A163J	MG RESISTOR	16kΩ 1/10W J	1	
	R148	RK73GB2A472J	MG RESISTOR	4.7kΩ 1/10W J	1	
	R149	RK73GB2A222J	MG RESISTOR	2.2kΩ 1/10W J	1	
	R150	RK73GB2A473J	MG RESISTOR	47kΩ 1/10W J	1	
	R151	RK73GB2A243J	MG RESISTOR	24kΩ 1/10W J	1	
	R152	RK73GB2A102J	MG RESISTOR	1kΩ 1/10W J	1	
	R153	RK73GB2A102J	MG RESISTOR	1kΩ 1/10W J	1	
	R154	RK73GB2A473J	MG RESISTOR	47kΩ 1/10W J	1	
	R155	RK73GB2A473J	MG RESISTOR	47kΩ 1/10W J	1	
	R156	RK73GB2A473J	MG RESISTOR	47kΩ 1/10W J	1	
	R157	RK73GB2A473J	MG RESISTOR	47kΩ 1/10W J	1	
	R158	RK73EB2E101J	MG RESISTOR	100Ω 1/4W J	1	
	R159	RK73EB2E101J	MG RESISTOR	100Ω 1/4W J	1	
	R160	RK73GB2A473J	MG RESISTOR	47kΩ 1/10W J	1	
	R161	RK73GB2A473J	MG RESISTOR	47kΩ 1/10W J	1	
	R162	RK73GB2A473J	MG RESISTOR	47kΩ 1/10W J	1	
	R163	RK73GB2A473J	MG RESISTOR	47kΩ 1/10W J	1	
	R164	RK73GB2A103J	MG RESISTOR	10kΩ 1/10W J	1	
	R165	RK73GB2A103J	MG RESISTOR	10kΩ 1/10W J	1	
	R166	RK73GB2A223J	MG RESISTOR	22kΩ 1/10W J	1	
	R167	RK73GB2A223J	MG RESISTOR	22kΩ 1/10W J	1	
	R168	RK73GB2A332J	MG RESISTOR	3.3kΩ 1/10W J	1	
	R169	RK73EB2E123J	MG RESISTOR	12kΩ 1/4W J	1	
	R170	RK73EB2E123J	MG RESISTOR	12kΩ 1/4W J	1	
	R171	RK73GB2A102J	MG RESISTOR	1kΩ 1/10W J	1	
	R172	RK73GB2A512J	MG RESISTOR	5.1kΩ 1/10W J	1	
	R173	RK73GB2A104J	MG RESISTOR	100kΩ 1/10W J	1	
	R174	RK73EB2E4R7J	MG RESISTOR	4.7Ω 1/4W J	1	
	R175	RK73PB2H220J	MG RESISTOR	22Ω 1/2W J	1	
	R176	RK73PB2H220J	MG RESISTOR	22Ω 1/2W J	1	
	R177	RK73EB2E113J	MG RESISTOR	11kΩ 1/4W J	1	
	R178	RK73EB2E113J	MG RESISTOR	11kΩ 1/4W J	1	
	R179	RK73GB2A473J	MG RESISTOR	47kΩ 1/10W J	1	
	R180	RK73GB2A153J	MG RESISTOR	15kΩ 1/10W J	1	
	R181	RK73GB2A153J	MG RESISTOR	15kΩ 1/10W J	1	
	R182	RK73GB2A471J	MG RESISTOR	470Ω 1/10W J	1	
	R183	RK73GB2A471J	MG RESISTOR	470Ω 1/10W J	1	
	R184	RK73GB2A223J	MG RESISTOR	22kΩ 1/10W J	1	
	R185	RK73GB2A101J	MG RESISTOR	100Ω 1/10W J	1	
	R186	RK73GB2A473J	MG RESISTOR	47kΩ 1/10W J	1	
	R187	RK73GB2A822J	MG RESISTOR	8.2kΩ 1/10W J	1	
	R188	RK73GB2A104J	MG RESISTOR	100kΩ 1/10W J	1	
	R189	RK73GB2A223J	MG RESISTOR	22kΩ 1/10W J	1	
	R190	RK73GB2A473J	MG RESISTOR	47kΩ 1/10W J	1	
	R191	RK73GB2A682J	MG RESISTOR	6.8kΩ 1/10W J	1	
	R192	RK73GB2A104J	MG RESISTOR	100kΩ 1/10W J	1	
	R193	RK73GB2A223J	MG RESISTOR	22kΩ 1/10W J	1	
	R194	RK73GB2A473J	MG RESISTOR	47kΩ 1/10W J	1	
	R201	RK73GB2A222J	MG RESISTOR	2.2kΩ 1/10W J	1	
	R202	RK73GB2A474J	MG RESISTOR	470kΩ 1/10W J	1	
	R203	RK73EB2E101J	MG RESISTOR	100Ω 1/4W J	1	
	R204	RK73EB2E102J	MG RESISTOR	1kΩ 1/4W J	1	
	R205	RK73GB2A153J	MG RESISTOR	15kΩ 1/10W J	1	
	R206	RK73GB2A103J	MG RESISTOR	10kΩ 1/10W J	1	
	R207	RK73GB2A332J	MG RESISTOR	3.3kΩ 1/10W J	1	
	R208	RK73GB2A102J	MG RESISTOR	1kΩ 1/10W J	1	
	R209	RK73GB2A473J	MG RESISTOR	47kΩ 1/10W J	1	
	R210	RK73GB2A472J	MG RESISTOR	4.7kΩ 1/10W J	1	
	R221	RK73GB2A223J	MG RESISTOR	22kΩ 1/10W J	1	
	R222	RK73GB2A223J	MG RESISTOR	22kΩ 1/10W J	1	
	R223	RK73GB2A223J	MG RESISTOR	22kΩ 1/10W J	1	

MODEL	MARK
XR1001-1	

Safe	Symbol No.	Parts No.	Parts Name	Description	QTY	Local
	R224	RK73GB2A223J	MG RESISTOR	22kΩ 1/10W J	1	
	R225	RK73GB2A222J	MG RESISTOR	2.2kΩ 1/10W J	1	
	R226	RK73GB2A273J	MG RESISTOR	27kΩ 1/10W J	1	
	R227	RK73GB2A222J	MG RESISTOR	2.2kΩ 1/10W J	1	
	R228	RK73GB2A273J	MG RESISTOR	27kΩ 1/10W J	1	
	R229	RK73GB2A512J	MG RESISTOR	5.1kΩ 1/10W J	1	
	R230	RK73GB2A103J	MG RESISTOR	10kΩ 1/10W J	1	
	R231	RK73GB2A123J	MG RESISTOR	12kΩ 1/10W J	1	
	R232	RK73GB2A103J	MG RESISTOR	10kΩ 1/10W J	1	
	R233	RK73EB2E152J	MG RESISTOR	1.5kΩ 1/4W J	1	
	R234	RK73EB2E152J	MG RESISTOR	1.5kΩ 1/4W J	1	
	R300	RK73EB2E392J	MG RESISTOR	3.9kΩ 1/4W J	1	
	R301	RK73GB2A392J	MG RESISTOR	3.9kΩ 1/10W J	1	
	R302	RK73GB2A152J	MG RESISTOR	1.5kΩ 1/10W J	1	
	R303	RK73GB2A183J	MG RESISTOR	18kΩ 1/10W J	1	
	R304	RK73GB2A682J	MG RESISTOR	6.8kΩ 1/10W J	1	
	R305	RK73GB2A682J	MG RESISTOR	6.8kΩ 1/10W J	1	
	R306	RK73GB2A392J	MG RESISTOR	3.9kΩ 1/10W J	1	
	R307	RK73GB2A102J	MG RESISTOR	1kΩ 1/10W J	1	
	R308	RK73GB2A472J	MG RESISTOR	4.7kΩ 1/10W J	1	
	R309	RK73GB2A472J	MG RESISTOR	4.7kΩ 1/10W J	1	
	R310	RK73GB2A183J	MG RESISTOR	18kΩ 1/10W J	1	
	R311	RK73GB2A154J	MG RESISTOR	150kΩ 1/10W J	1	
	R312	RK73GB2A682J	MG RESISTOR	6.8kΩ 1/10W J	1	
	R313	RK73GB2A331J	MG RESISTOR	330Ω 1/10W J	1	
	R314	RK73GB2A393J	MG RESISTOR	39kΩ 1/10W J	1	
	R315	RK73GB2A623J	MG RESISTOR	62kΩ 1/10W J	1	
	R316	RK73GB2A333J	MG RESISTOR	33kΩ 1/10W J	1	
	R317	RK73GB2A104J	MG RESISTOR	100kΩ 1/10W J	1	
	R318	RK73GB2A102J	MG RESISTOR	1kΩ 1/10W J	1	
	R319	RK73GB2A473J	MG RESISTOR	47kΩ 1/10W J	1	
	R320	RK73GB2A103J	MG RESISTOR	10kΩ 1/10W J	1	
	R321	RK73GB2A103J	MG RESISTOR	10kΩ 1/10W J	1	
	R322	RK73GB2A103J	MG RESISTOR	10kΩ 1/10W J	1	
	R323	RK73GB2A103J	MG RESISTOR	10kΩ 1/10W J	1	
	R324	RK73EB2E152J	MG RESISTOR	1.5kΩ 1/4W J	1	
	R325	RK73GB2A102J	MG RESISTOR	1kΩ 1/10W J	1	
	R326	RK73GB2A102J	MG RESISTOR	1kΩ 1/10W J	1	
	R327	RK73GB2A472J	MG RESISTOR	4.7kΩ 1/10W J	1	
	R328	RK73GB2A472J	MG RESISTOR	4.7kΩ 1/10W J	1	
	R329	RK73GB2A680J	MG RESISTOR	68Ω 1/10W J	1	
	R330	RK73GB2A680J	MG RESISTOR	68Ω 1/10W J	1	
	R331	RK73GB2A680J	MG RESISTOR	68Ω 1/10W J	1	
	R332	RK73GB2A680J	MG RESISTOR	68Ω 1/10W J	1	
	R333	RK73GB2A680J	MG RESISTOR	68Ω 1/10W J	1	
	R334	RK73GB2A680J	MG RESISTOR	68Ω 1/10W J	1	
	R335	RK73GB2A680J	MG RESISTOR	68Ω 1/10W J	1	
	R336	RK73GB2A680J	MG RESISTOR	68Ω 1/10W J	1	
	R337	RK73PB2H100J	MG RESISTOR	10Ω 1/2W J	1	
	R338	RK73PB2H100J	MG RESISTOR	10Ω 1/2W J	1	
	R339	RK73PB2H100J	MG RESISTOR	10Ω 1/2W J	1	
	R340	RK73PB2H100J	MG RESISTOR	10Ω 1/2W J	1	
	R341	RK73PB2H100J	MG RESISTOR	10Ω 1/2W J	1	
	R342	RK73PB2H100J	MG RESISTOR	10Ω 1/2W J	1	
	R343	RK73PB2H100J	MG RESISTOR	10Ω 1/2W J	1	
	R344	RK73EB2E473J	MG RESISTOR	47kΩ 1/4W J	1	
	R345	RK73EB2E473J	MG RESISTOR	47kΩ 1/4W J	1	
	R346	RK73EB2E4R7J	MG RESISTOR	4.7Ω 1/4W J	1	
	R347	RK73EB2E4R7J	MG RESISTOR	4.7Ω 1/4W J	1	
	R348	RK73EB2E123J	MG RESISTOR	12kΩ 1/4W J	1	
	R349	RK73EB2E123J	MG RESISTOR	12kΩ 1/4W J	1	
	R350	RK73GB2A101J	MG RESISTOR	100Ω 1/10W J	1	
	R351	RK73GB2A101J	MG RESISTOR	100Ω 1/10W J	1	
	R352	RK73GB2A473J	MG RESISTOR	47kΩ 1/10W J	1	
	R353	RK73GB2A473J	MG RESISTOR	47kΩ 1/10W J	1	
	R354	RK73GB2A100J	MG RESISTOR	10Ω 1/10W J	1	
	R355	RK73GB2A100J	MG RESISTOR	10Ω 1/10W J	1	
	R356	RK73PB2H151J	MG RESISTOR	150Ω 1/2W J	1	
	R357	RK73PB2H151J	MG RESISTOR	150Ω 1/2W J	1	
	R358	RK73GB2A392J	MG RESISTOR	3.9kΩ 1/10W J	1	
	R359	RK73GB2A392J	MG RESISTOR	3.9kΩ 1/10W J	1	
	R360	RK73GB2A101J	MG RESISTOR	100Ω 1/10W J	1	
	R361	RK73GB2A101J	MG RESISTOR	100Ω 1/10W J	1	
	R362	RK73EB2E4R7J	MG RESISTOR	4.7Ω 1/4W J	1	
	R363	RK73EB2E222J	MG RESISTOR	2.2kΩ 1/4W J	1	
	R364	RK73GB2A101J	MG RESISTOR	100Ω 1/10W J	1	
	R367	RK73PB2H100J	MG RESISTOR	10Ω 1/2W J	1	
	R368	RK73PB2H100J	MG RESISTOR	10Ω 1/2W J	1	
	R369	RK73PB2H100J	MG RESISTOR	10Ω 1/2W J	1	
	R370	RK73GB2A103J	MG RESISTOR	10kΩ 1/10W J	1	
	R371	RK73GB2A272J	MG RESISTOR	2.7kΩ 1/10W J	1	
	R372	RK73GB2A103J	MG RESISTOR	10kΩ 1/10W J	1	
	R373	RK73GB2A272J	MG RESISTOR	2.7kΩ 1/10W J	1	
	R379	RK73GB2A100J	MG RESISTOR	10Ω 1/10W J	1	
	R501	RK73GB2A431J	MG RESISTOR	430Ω 1/10W J	1	
	R502	RK73GB2A153J	MG RESISTOR	15kΩ 1/10W J	1	
	R503	RK73GB2A153J	MG RESISTOR	15kΩ 1/10W J	1	
	R504	RK73GB2A202J	MG RESISTOR	2kΩ 1/10W J	1	
	R507	RK73GB2A222J	MG RESISTOR	2.2kΩ 1/10W J	1	
	R508	RK73GB2A682J	MG RESISTOR	6.8kΩ 1/10W J	1	
	R509	RK73GB2A682J	MG RESISTOR	6.8kΩ 1/10W J	1	
	R510	RK73GB2A682J	MG RESISTOR	6.8kΩ 1/10W J	1	
	R511	RK73GB2A623J	MG RESISTOR	62kΩ 1/10W J	1	

MODEL					MARK
XR1001-1					
Safe	Symbol No.	Parts No.	Parts Name	Description	QTY Local
	R512	RK73GB2A222J	MG RESISTOR	2.2kΩ 1/10W J	1
	R513	RK73GB2A222J	MG RESISTOR	2.2kΩ 1/10W J	1
	R514	RK73GB2A103J	MG RESISTOR	10kΩ 1/10W J	1
	R515	RK73GB2A222J	MG RESISTOR	2.2kΩ 1/10W J	1
	R516	RK73GB2A241J	MG RESISTOR	240Ω 1/10W J	1
	R517	RK73GB2A154J	MG RESISTOR	150kΩ 1/10W J	1
	R518	RK73GB2A153J	MG RESISTOR	15kΩ 1/10W J	1
	R519	RK73GB2A473J	MG RESISTOR	47kΩ 1/10W J	1
	R520	RK73GB2A103J	MG RESISTOR	10kΩ 1/10W J	1
	R521	RK73GB2A472J	MG RESISTOR	4.7kΩ 1/10W J	1
	R522	RK73GB2A752J	MG RESISTOR	7.5kΩ 1/10W J	1
	R523	RK73GB2A752J	MG RESISTOR	7.5kΩ 1/10W J	1
	R524	RK73GB2A473J	MG RESISTOR	47kΩ 1/10W J	1
	R525	RK73GB2A912J	MG RESISTOR	9.1kΩ 1/10W J	1
	R526	RK73GB2A473J	MG RESISTOR	47kΩ 1/10W J	1
	R527	RK73GB2A392J	MG RESISTOR	3.9kΩ 1/10W J	1
	R528	RK73GB2A154J	MG RESISTOR	150kΩ 1/10W J	1
	R529	RK73GB2A243J	MG RESISTOR	24kΩ 1/10W J	1
	R530	RK73GB2A513J	MG RESISTOR	51kΩ 1/10W J	1
	R531	RK73GB2A272J	MG RESISTOR	2.7kΩ 1/10W J	1
	R532	RK73GB2A103J	MG RESISTOR	10kΩ 1/10W J	1
	R533	RK73GB2A103J	MG RESISTOR	10kΩ 1/10W J	1
	R534	RK73GB2A153J	MG RESISTOR	15kΩ 1/10W J	1
	R535	RK73GB2A333J	MG RESISTOR	33kΩ 1/10W J	1
	R536	RK73GB2A133J	MG RESISTOR	13kΩ 1/10W J	1
	R537	RK73GB2A153J	MG RESISTOR	15kΩ 1/10W J	1
	R538	RK73GB2A103J	MG RESISTOR	10kΩ 1/10W J	1
	R539	RK73GB2A103J	MG RESISTOR	10kΩ 1/10W J	1
	R540	RK73GB2A473J	MG RESISTOR	47kΩ 1/10W J	1
	R541	RK73GB2A104J	MG RESISTOR	100kΩ 1/10W J	1
	R542	RK73GB2A101J	MG RESISTOR	100Ω 1/10W J	1
	VR1	R31-0264-05	V RESISTOR		1
	VR2	R31-0265-05	V RESISTOR		1
	VR3	R31-0268-05	V RESISTOR		1
	VR4	R31-0265-05	V RESISTOR		1
	L1	L3D-0047-00	CHOKE COIL		1
	L2	L3D-0047-00	CHOKE COIL		1
	T1	L1K-0022-10	CONVERT TRANS		1
	T2	L1K-0022-10	CONVERT TRANS		1
	CN1	EC710AM-0510A	FFC FPC CONNE		1
	CN2	EC720AA-0510A	FFC FPC CONNE		1
	CN3	J13-0611-05	FUSE HOLDER		1
	CN4	J13-0613-05	FUSE HOLDER		1
	CN5	E41-1682-05	PIN ASSY		1
△	F1	F53-0513-08	PATTERN FUSE	4A	1
	J1	E6D-0017-00	PIN JACK		1
	J2	E7A-0012-10	SCREW TER.BOARD		1
	J3	E5J-0168-00	MODULAR JACK		1
	P2	J22-2069-04	MOUNTING		1
	P3	J22-2069-04	MOUNTING		1
	S1	S62-0842-05	SLIDE SWITCH		1
	S2	S62-0878-05	SLIDE SWITCH		1
	TH1	NCP18WB473J0S	N THERMISTOR	47kΩ	1
	TH2	NCP18WB473J0S	N THERMISTOR	47kΩ	1
	TH3	NCP18WB473J0S	N THERMISTOR	47kΩ	1
	TH4	NCP18WB473J0S	N THERMISTOR	47kΩ	1
	W1	RK73EB2E000J	MG RESISTOR	0Ω 1/4W J	1
	W2	RK73EB2E000J	MG RESISTOR	0Ω 1/4W J	1
	W3	RK73EB2E000J	MG RESISTOR	0Ω 1/4W J	1
	W4	RK73EB2E000J	MG RESISTOR	0Ω 1/4W J	1
	W5	RK73EB2E000J	MG RESISTOR	0Ω 1/4W J	1
	W6	RK73EB2E000J	MG RESISTOR	0Ω 1/4W J	1
	W7	RK73EB2E000J	MG RESISTOR	0Ω 1/4W J	1
	W8	RK73EB2E000J	MG RESISTOR	0Ω 1/4W J	1
	W9	RK73EB2E000J	MG RESISTOR	0Ω 1/4W J	1
	W10	RK73EB2E000J	MG RESISTOR	0Ω 1/4W J	1
	W50	RK73GB2A000J	MG RESISTOR	0Ω 1/10W J	1
	W100	E29-2161-05	LEAD PLATE		1
	W101	E29-2161-05	LEAD PLATE		1
	W102	E29-2161-05	LEAD PLATE		1