

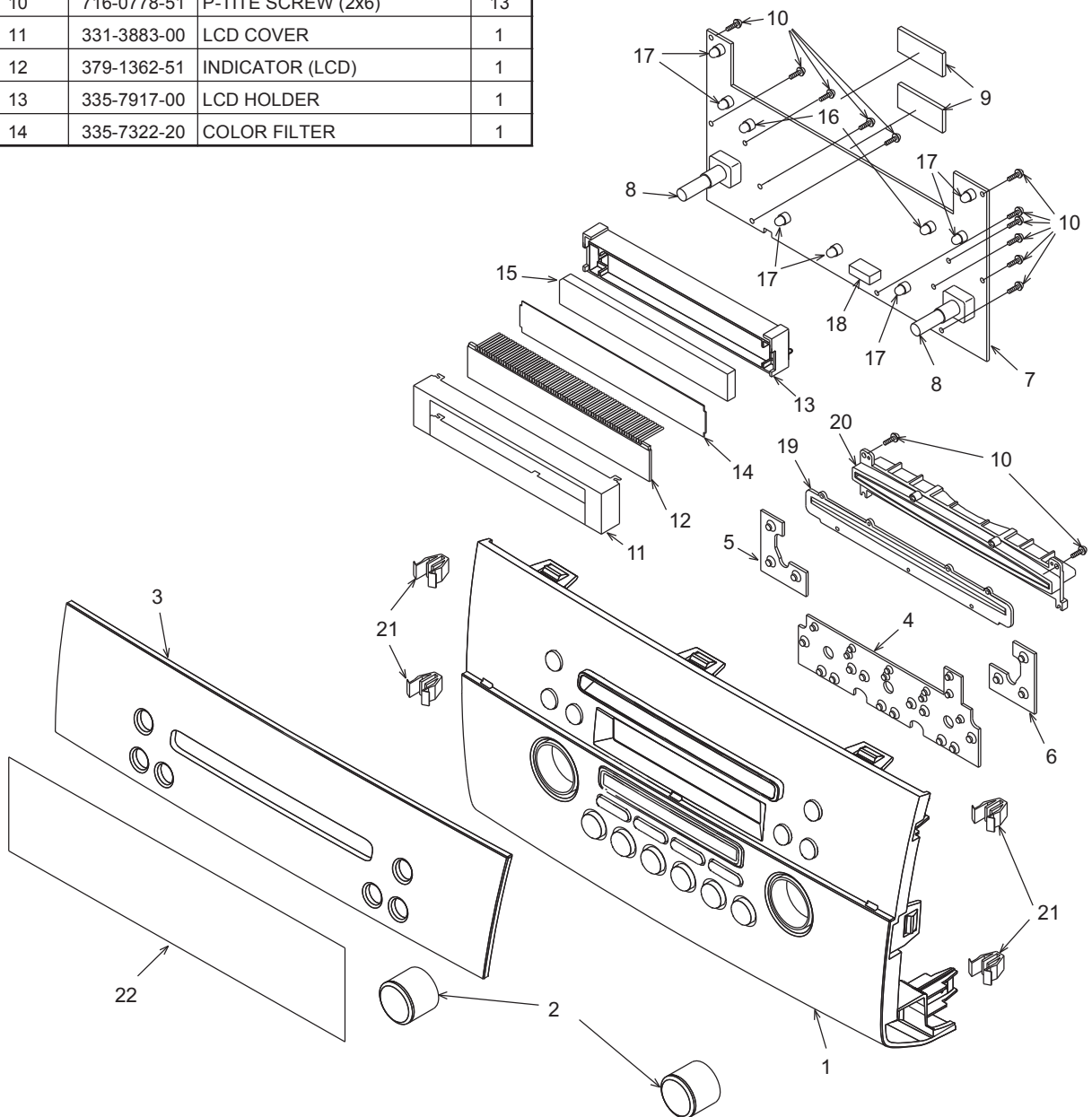
EXPLODED VIEW/PARTS LIST

Note)Some parts depend on each model.The model name is specified in the description .
(N-A; PS-2956N-A,PS-2957N-A; N-B; PS-2956N-B,PS-2957N-B)

Escutcheon section

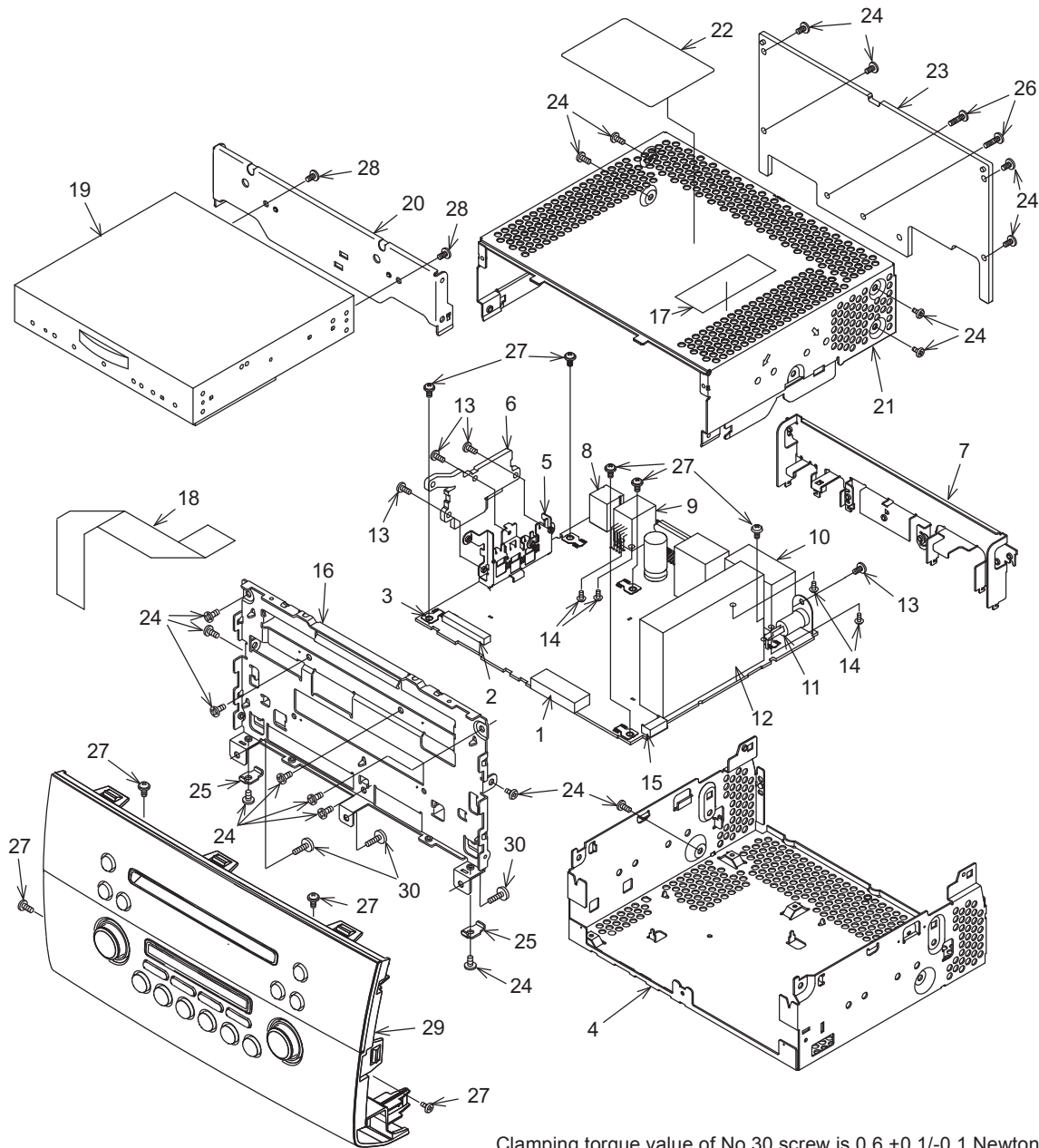
NO.	PART NO.	DESCRIPTION	Q'TY
1	940-8179-30	ESCUTCHEON ASSY	1
2	380-5610-00	KNOB	2
3	373-1041-70 373-1096-50	DIAL COVER(N-A) DARK METALLIC DIAL COVER(N-B) SILVER HAIRLINE	1
4	345-5782-01	RUBBER SW (CENTER)	1
5	345-5783-00	RUBBER SW (LEFT)	1
6	345-5784-00	RUBBER SW (RIGHT)	1
7	-----	Switch PWB	1
8	016-0018-17	VR W/SHAFT	2
9	345-8639-01	PROTECTOR	2
10	716-0778-51	P-TITE SCREW (2x6)	13
11	331-3883-00	LCD COVER	1
12	379-1362-51	INDICATOR (LCD)	1
13	335-7917-00	LCD HOLDER	1
14	335-7322-20	COLOR FILTER	1

NO.	PART NO.	DESCRIPTION	Q'TY
15	335-7323-00	LCD ILLUMI	18
16	017-0429-26	PL LAMP (8V 105mA AMBER)	2
17	017-0420-35	PL LAMP (14V 40mA ORANGE)	7
18	074-3013-74	OUTLETSOCKET	1
19	346-0206-00	LATHER SHEET	1
20	335-7292-01	DISC GUIDE	1
21	335-7321-00	CLIP	4
22	347-7477-00	PROTECTOR	1



Clamping torque value of a screw is 0.2 +0.04/-0.04 Newton meter.

Main section



Clamping torque value of No.30 screw is 0.6 +0.1/-0.1 Newton meter.
 And other screw is 0.4 +0.08/-0.08 Newton meter.

Note)Some parts depend on each model.The model name is specified in the description .
 (6N-A;PS-2956D-A, 6N-B;PS-2956N-B, 7N-A;PS-2957N-A , 7N-B;PS-2957N-B)

NO.	PART NO.	DESCRIPTION	QTY	NO.	PART NO.	DESCRIPTION	QTY
1	076-0662-74	PLUG(26P)	1	13	714-2606-8B	MACHINE SCREW(M2.6x6)	4
2	074-1237-70	OUTLET SOCKET	1	14	778-3006-00	TAP-SCREW(3x6)	4
3	073-0762-90	TERMINAL	5	15	076-0717-09	PLUG	1
4	311-1919-30	LOWER CASE	1	16	309-0839-01	ES PLATE	1
5	331-4126-00	TR HOLDER	1	17	285-1960-00	GUIDE LABEL	1
6	313-1966-00	SUB HEAT SINK	1	18	816-4030-50	FLAT WIRE	1
7	331-4127-00	REAR PLATE	1	19	929-5005-80	CD-MECH-MODULE	1
8	074-1194-00	OUTLET SOCKET	1	20	331-4123-00	CD BRKT	1
9	074-1302-08	OUTLET SOCKET	1	21	310-1826-50	UPPER CASE	1
10	074-4007-20	OUTLET SOCKET	1	22	286-6449-68	SETPLATE (6N-A)	1
11	092-0702-00	ANT-RECEPT	1		286-6449-70	SETPLATE (6N-B)	
12	941-0221-70	TUNER PACK	2		286-6449-69	SETPLATE (7N-A)	
					286-6449-71	SETPLATE (7N-B)	

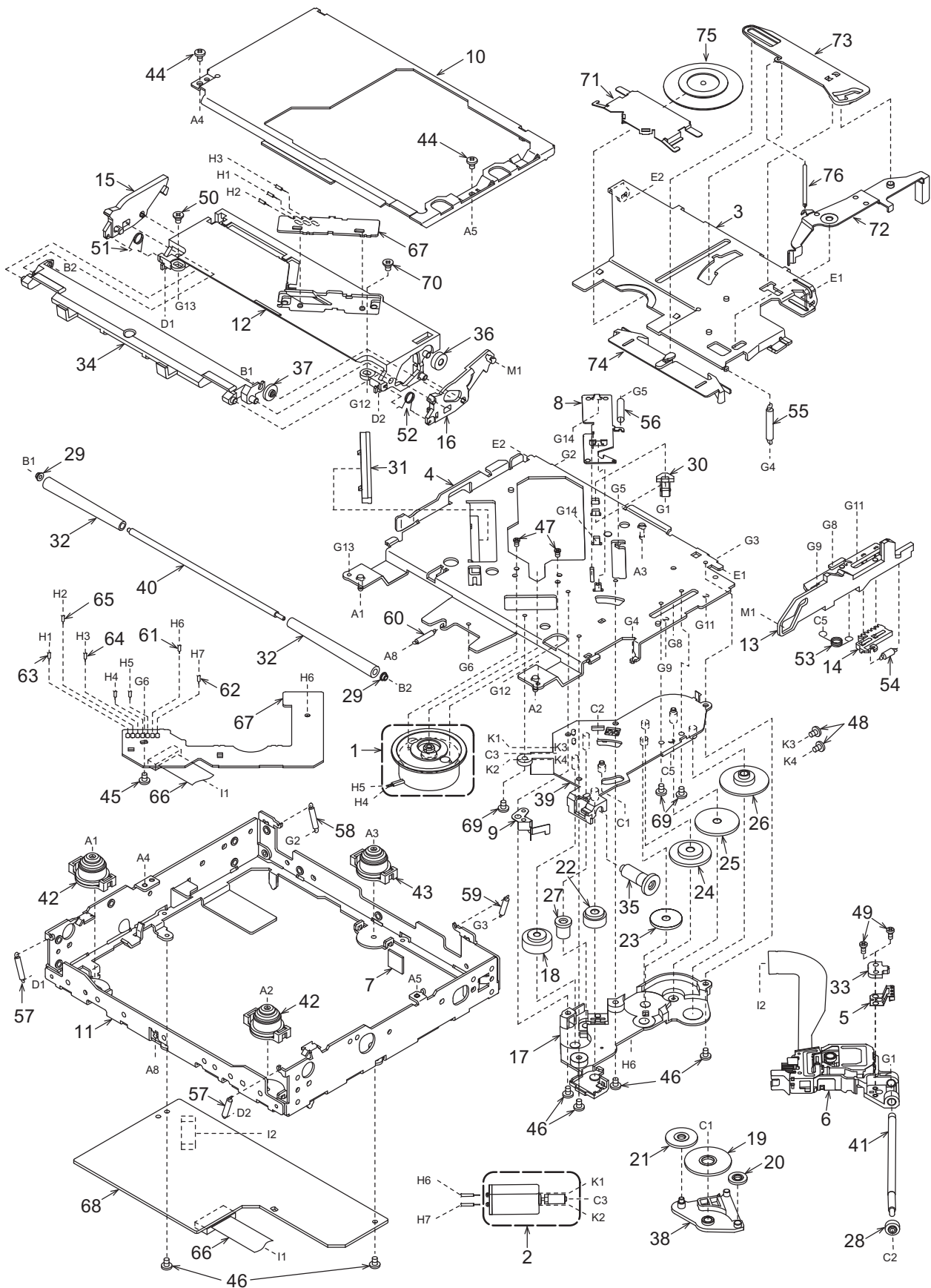
NO.	PART NO.	DESCRIPTION	Q'TY
23	313-1962-00	HEAT SINK	1
24	714-2606-8B	MACHINE SCREW(M2.6x6)	18
25	331-4193-20	SU-PLATE	2
26	714-2610-89	MACHINE SCREW(M2.6x10)	2
27	716-0878-50	IT SCREW(M2.6x5)	9

NO.	PART NO.	DESCRIPTION	Q'TY
28	714-2603-8B	MACHINE SCREW(M2.6x3)	2
29	-----	ESCUTCHEON SECTION Refer to page 5	1
30	716-1553-50	P-TIGHT SCREW(3x8)	3

CD mechanism section:(929-5005-80)

NO.	PART NO.	DESCRIPTION	Q'TY
1	SMA-182-100	SPD-MOTOR-ASSY	1
2	SMA-183-100	POW-MOTOR-ASSY	1
3	620-1596-23	CLAMPER LINK	1
4	966-1743-21	DRIVE-PLT-ASSY	1
5	966-1722-20	SH-RACK-ASSY	1
6	969-0071-30	PICKUP-ASSY	1
7	345-5476-20	CUSHION RUBBER	1
8	620-1753-20	ID-LOCK PLATE	1
9	620-1026-21	SPRING PLATE	1
10	620-1598-22	UPPER CHASSIS	1
11	620-1766-20	LOWER CHASSIS-W	1
12	621-1742-20	UPPER GUIDE	1
13	621-1743-20	SHIFT LEVER	1
14	621-1744-20	RACK	1
15	621-1745-20	LOCK ARM L	1
16	621-1746-20	LOCK ARM R	1
17	621-1747-20	GEAR COVER	1
18	621-0608-21	SECOND GEAR	1
19	621-0609-20	BASE GEAR	1
20	621-0610-20	IDLE GEAR A	1
21	621-0611-20	IDLE GEAR B	1
22	621-0612-21	ROLLER GEAR A	1
23	621-1748-20	POWER GEAR A	1
24	621-1749-20	POWER GEAR B	1
25	621-1750-20	POWER GEAR C	1
26	621-1751-20	POWER GEAR D	1
27	621-0620-20	THREAD GEAR A	1
28	621-0621-20	THREAD GEAR B	1
29	621-1726-20	ROLLER SLEEVE	2
30	621-0623-23	LS-HOLDER	1
31	621-0624-22	GUIDE RAIL	1
32	621-0711-20	LOADING ROLLER	2
33	621-1729-20	SH-BASE	1
34	621-0718-21	ROLLER GUIDE	1
35	621-0719-20	ROLLER GEAR	1
36	621-0720-20	ROLLER GEAR C	1
37	621-0721-20	ROLLER GEAR D	1
38	621-1719-20	IDLE CASE	1

NO.	PART NO.	DESCRIPTION	Q'TY
39	621-1754-20	GEAR BASE	1
40	622-1571-21	ROLLER SHAFT	1
41	624-0020-00	LEAD SCREW	1
42	629-0086-20	DAMPER F	2
43	629-0087-20	DAMPER R	1
44	714-2003-8B	MACHIN SCREW(M2x3)	2
45	716-1507-01	SCREW(M2x3)	1
46	716-1670-01	SCREW(M2x4)	6
47	716-1733-01	SCREW(M1.7x2.3)	2
48	716-3551-00	SCREW(M1.4x2.5)	2
49	716-3469-01	SCREW(phi1.7x4)	2
50	716-3473-01	SCREW(M2x3)	1
51	750-6797-20	ROLLER SPRING L	1
52	750-6798-20	ROLLER SPRING R	1
53	750-3467-21	SHIFT SPRING	1
54	750-3468-20	RACK SPRING	1
55	750-3469-20	CLAMPER SPRING	1
56	750-3470-20	ID-LOCK SPRING	1
57	750-3472-21	DR-SPRING F	2
58	750-3473-20	DR-SPRING RA	1
59	750-3474-20	DR-SPRING RB	1
60	750-3475-21	DR-SPRING C	1
61	803-4906-60	VINYL-COAT-WIRE(ORG)	1
62	816-2590-00	LEAD(GRN)	1
63	816-2591-00	LEAD(YEL)	1
64	816-2592-00	LEAD(BLU)	1
65	816-2593-00	LEAD(PUR)	1
66	816-2624-50	FLAT WIRE	1
67	-----	SENSOR PWB	1
68	-----	CD PWB	1
69	780-2025-00	SCREW(M2.0x2.5)	3
70	781-1730-00	SCREW(M1.7x3.0)	1
71	620-1023-23	CLAMPER PLATE	1
72	620-1752-20	SENSOR ARM	1
73	621-0728-20	STOPPER LINK	1
74	621-1752-20	DISC STOPPER	1
75	621-1753-20	CLAMPER RING	1
76	750-3471-20	SENSOR SPRING	1



ELECTRICAL PARTS LIST

Main PWB section (B1)

Note) Several different parts of the same reference number are alternative parts.

One of those parts is used in the set.

Note)Some parts depend on each model.The model name is specified in the description .

(2956N;PS-2956N-A,B, 2957N;PS-2957N-A,B)

REF No.	PART No.	DESCRIPTION	REF No.	PART No.	DESCRIPTION	REF No.	PART No.	DESCRIPTION
ANT102	092-0702-00	ANT RECEPT	C357	166-1007-50	10pF CH	IC501	052-3211-31	M30622MGP-E20GP
BL101	941-0221-70	TUNER PACK	C358	188-1063-38	16V 10uF	IC502	051-0869-58	NJM2103M
C103	168-2232-55	0.022uF K	C359	188-1063-38	16V 10uF	IC503	051-9400-29	BR93L46F-W
C104	188-1073-28	10V 100uF	C360	188-1063-38	16V 10uF	IC504	051-6600-58	HA12187FP
C105	168-1042-78	16V 0.1uF	C361	188-1063-38	16V 10uF	IC741	051-3369-00	NJM2388F84
C106	168-1042-78	16V 0.1uF	C391	168-1042-78	16V 0.1uF	J231	074-1237-70	20P
C107	188-1073-28	10V 100uF	C392	168-1042-78	16V 0.1uF	J701	074-1194-00	13P CE-NET
C108	168-1042-78	16V 0.1uF	C393	168-1042-78	16V 0.1uF	J721	074-1302-08	8P
C109	168-2232-55	0.022uF K	C394	168-1042-78	16V 0.1uF	J801	074-4007-20	SOCKET(20P)
C111	168-2732-55	16V 0.027uF K	C395	168-1032-55	0.01uF K	L101	010-2003-04	30uH
C112	168-4745-79	0.47uF Z	C396	163-1053-65	50V 1uF	L102	010-6009-76	22uH J
C113	168-3932-78	0.039uF K	C397	042-1624-00	16V 4700uF	L103	010-6009-76	22uH J
C114	168-3932-78	0.039uF K	C398	163-1063-35	16V 10uF	L121	010-6009-76	22uH J
C121	166-1801-50	18pF CH	C399	163-1053-65	50V 1uF	L231	010-6009-76	22uH J
C122	188-4763-38	16V 47uF	C400	166-2201-50	22pF CH	L501	010-6009-76	22uH J
C123	168-1022-55	1000pF K	C501	168-1042-78	16V 0.1uF	L502	010-6009-76	22uH J
C124	042-1458-90	50V 1uF LN	C502	188-4763-18	6.3V 47uF	L801	010-8026-00	210uH
C125	166-1501-50	15pF CH	C503	168-1032-55	0.01uF K	P501	076-0662-74	24P
C126	166-1011-50	100pF CH	C504	168-1032-55	0.01uF K	P503	076-0717-09	9P
C127	166-1011-50	100pF CH	C505	168-1032-55	0.01uF K	Q121	191-1197-50	2SB1197K Q,R
C128	166-1011-50	100pF CH	C506	168-1042-78	16V 0.1uF	Q122	191-1197-50	2SB1197K Q,R
C129	166-1011-50	100pF CH	C507	188-1053-68	50V 1uF	Q123	191-1197-50	2SB1197K Q,R
C130	168-2232-55	0.022uF K	C509	168-1022-55	1000pF K	Q124	192-4155-51	2SC4155A S,T
C131	188-4763-38	16V 47uF	C510	168-1022-55	1000pF K	Q125	192-4155-51	2SC4155A S,T
C132	166-1811-50	180pF CH	C511	168-1042-78	16V 0.1uF	Q391	125-2041-92	RT1N141M
C133	168-1042-78	16V 0.1uF	C512	168-1032-55	0.01uF K	Q392	192-4155-51	2SC4155A S,T
C160	168-1042-78	16V 0.1uF	C513	189-1073-29	10V 100uF	Q502	190-2071-00	2SA2071 T100
C212	188-4763-38	16V 47uF	C514	168-1042-78	16V 0.1uF	Q503	192-4155-51	2SC4155A S,T
C231	168-1042-78	16V 0.1uF	C515	166-1011-50	100pF CH	Q504	192-4155-51	2SC4155A S,T
C232	188-4763-18	6.3V 47uF	C516	188-1063-38	16V 10uF	Q505	192-4155-51	2SC4155A S,T
C233	168-1042-78	16V 0.1uF	C517	042-0559-00	5.5V 0.1F	Q506	193-2118-50	2SD2118F5 R,S
C234	168-2232-55	0.022uF K	C722	168-1042-78	16V 0.1uF	Q701	192-4155-51	2SC4155A S,T
C271	189-4773-19	6.3V 470uF	C731	172-1041-15	0.1uF	Q711	190-2071-00	2SA2071 T100
C273	043-0328-90	0.1uF	C732	188-1053-68	50V 1uF	Q712	192-4155-51	2SC4155A S,T
C274	189-2273-29	10V 220uF	C741	043-0328-90	0.1uF	Q761	192-5810-00	2SC5810 TE12L
C276	043-0328-90	0.1uF	C744	188-1073-28	10V 100uF	Q762	125-0034-92	RT1P141M
C301	178-1052-78	1uF	C761	188-1063-38	16V 10uF	Q763	125-2041-92	RT1N141M
C302	178-1052-78	1uF	C762	188-1063-38	16V 10uF	Q771	192-5886-00	2SC5886
C305	178-1052-78	1uF	C771	188-1073-28	10V 100uF	Q773	192-4155-51	2SC4155A S,T
C306	178-1052-78	1uF	C772	188-1063-38	16V 10uF	Q776	125-0034-92	RT1P141M
C309	168-3332-78	0.033uF K	C811	172-1041-15	0.1uF	Q777	125-2041-92	RT1N141M
C310	168-3332-78	0.033uF K	C821	188-1063-38	16V 10uF	Q821	190-2071-00	2SA2071 T100
C311	188-2253-68	50V 2.2uF	CCT501	050-0140-54	1/32W 1k ohm x4J	Q822	192-4155-51	2SC4155A S,T
C312	188-2253-68	50V 2.2uF	CCT504	050-0140-54	1/32W 1k ohm x4J	R101	119-0000-05	1/10W 0 ohm JW
C313	188-2253-68	50V 2.2uF	CCT505	050-0140-54	1/32W 1k ohm x4J	R102	119-0000-05	1/10W 0 ohm JW
C314	188-2253-68	50V 2.2uF	D391	001-0580-90	1SS352	R103	119-1041-15	1/10W 100k ohm
C318	168-1522-55	1500pF K	D505	001-0580-90	1SS352	R104	119-2221-15	1/10W 2.2k ohm
C319	168-1522-55	1500pF K	D506	001-2403-90	M1F60	R105	119-5611-15	1/10W 560 ohm
C322	188-1063-38	16V 10uF	D507	001-4301-25	HZU4.7B1	R106	119-2221-15	1/10W 2.2k ohm
C323	188-1063-38	16V 10uF	D508	001-0466-90	S5688B	R107	116-1001-15	1/4W 10 ohm
C324	188-1073-28	10V 100uF	D509	001-0504-36	HZS7A1L	R108	119-2231-15	1/10W 22k ohm
C325	168-1042-78	16V 0.1uF	D701	001-0424-31	MA4180	R109	119-5121-15	1/10W 5.1k ohm
C326	188-1053-68	50V 1uF	D702	001-0424-31	MA4180	R111	166-8201-50	82pF CH
C327	188-1053-68	50V 1uF	D703	001-0424-31	MA4180	R122	119-3321-15	1/10W 3.3k ohm
C328	188-2253-68	50V 2.2uF	D711	001-0466-90	S5688B	R123	119-4721-15	1/10W 4.7k ohm
C329	188-2253-68	50V 2.2uF	D712	001-0466-90	S5688B	R124	119-2221-15	1/10W 2.2k ohm
C330	168-1822-55	1800pF K	D731	001-0466-90	S5688B	R125	119-1021-15	1/10W 1k ohm
C331	168-1822-55	1800pF K	D761	001-0504-39	HZS7 B2L	R127	119-5631-15	1/10W 56k ohm
C332	178-3342-78	0.33uF	D771	001-0347-39	MA4068H	R128	119-4731-15	1/10W 47k ohm
C333	178-3342-78	0.33uF	D772	001-0347-36	MA4062H	R130	119-2221-15	1/10W 2.2k ohm
C334	166-4711-50	470pF CH	D801	001-0592-00	RM4Z	R131	119-1031-15	1/10W 10k ohm
C335	166-4711-50	470pF CH	D851	001-4301-68	HZU18B1	R132	119-1031-15	1/10W 10k ohm
C346	188-1073-28	10V 100uF	IC121	051-6212-18	LC72191JM-UC	R133	119-2221-15	1/10W 2.2k ohm
C352	168-1042-78	16V 0.1uF	IC271	051-3333-00	NJM2396F05	R134	119-2221-15	1/10W 2.2k ohm
C353	042-1562-15	10V 220uF	IC272	051-3366-00	NJM2396F08	R135	119-1031-15	1/10W 10k ohm
C354	166-2201-50	22pF CH	IC301	051-5042-91	CL7639V11	R271	119-4731-15	1/10W 47k ohm
C355	166-2201-50	22pF CH	IC351	051-3034-90	NJM4558V	R274	119-0000-05	1/10W 0 ohm JW
C356	166-1007-50	10pF CH	IC391	051-2040-00	TA8276H	R301	119-1021-15	1/10W 1k ohm

REF No.	PART No.	DESCRIPTION	REF No.	PART No.	DESCRIPTION	REF No.	PART No.	DESCRIPTION
R302	119-1021-15	1/10W 1k ohm	R522	119-4731-15	1/10W 47k ohm	R703	119-2231-15	1/10W 22k ohm
R305	119-1021-15	1/10W 1k ohm	R527	119-4721-15	1/10W 4.7k ohm	R704	119-2231-15	1/10W 22k ohm
R306	119-1021-15	1/10W 1k ohm	R528	032-0140-66	1/10W 220 ohm F	R711	116-2221-15	1/4W 2.2k ohm
R309	119-1021-15	1/10W 1k ohm	R529	119-1031-15	1/10W 10k ohm	R712	117-1031-15	1/8W 10k ohm
R310	119-1021-15	1/10W 1k ohm	R530	119-1041-15	1/10W 100k ohm	R713	116-2221-15	1/4W 2.2k ohm
R311	119-5631-15	1/10W 56k ohm	R531	119-1031-15	1/10W 10k ohm	R714	119-1031-15	1/10W 10k ohm
R312	119-5631-15	1/10W 56k ohm	R532	119-4721-15	1/10W 4.7k ohm	R715	119-3321-15	1/10W 3.3k ohm
R313	119-5631-15	1/10W 56k ohm	R533	119-4721-15	1/10W 4.7k ohm	R726	119-1021-15	1/10W 1k ohm
R314	119-5631-15	1/10W 56k ohm	R534	119-1021-15	1/10W 1k ohm	R731	116-5621-15	1/4W 5.6k ohm
R319	119-1031-15	1/10W 10k ohm	R535	119-1031-15	1/10W 10k ohm	R732	116-4721-15	1/4W 4.7k ohm
R320	119-6811-15	1/10W 680 ohm	R536	119-2221-15	1/10W 2.2k ohm	R761	032-0092-56	1/8W 22k ohm F
R321	119-1031-15	1/10W 10k ohm	R537	119-1031-15	1/10W 10k ohm	R762	119-1541-15	1/10W 150k ohm
R322	119-6811-15	1/10W 680 ohm	R538	119-1031-15	1/10W 10k ohm	R763	032-0092-51	1/8W 1k ohm F
R323	119-0000-05	1/10W 0 ohm JW	R539	119-1031-15	1/10W 10k ohm	R764	119-1221-15	1/10W 1.2k ohm
R324	119-0000-05	1/10W 0 ohm JW	R540	119-4731-15	1/10W 47k ohm	R771	119-0000-05	1/10W 0 ohm JW
R325	119-0000-05	1/10W 0 ohm JW	R541	119-5621-15	1/10W 5.6k ohm	R772	119-2231-15	1/10W 22k ohm
R326	119-0000-05	1/10W 0 ohm JW	R542	119-2231-15	1/10W 22k ohm	R773	116-1021-15	1/4W 1k ohm
R351	119-8211-15	1/10W 820 ohm	R544	119-4731-15	1/10W 47k ohm	R774	119-2231-15	1/10W 22k ohm
R352	119-1021-15	1/10W 1k ohm	R545	119-6831-15	1/10W 68k ohm	R781	119-0000-05	1/10W 0 ohm JW
R353	032-0140-50	1/10W 10k ohm F	R546	119-1021-15	1/10W 1k ohm	R782	119-0000-05	1/10W 0 ohm JW
R354	032-0140-50	1/10W 10k ohm F	R547	119-1021-15	1/10W 1k ohm	R793	119-0000-05	1/10W 0 ohm JW
R355	032-0140-50	1/10W 10k ohm F	R548	119-1031-15	1/10W 10k ohm	R801	119-0000-05	1/10W 0 ohm JW
R356	032-0140-50	1/10W 10k ohm F	R549	119-3341-15	1/10W 330k ohm	R802	119-0000-05	1/10W 0 ohm JW
R357	032-0140-50	1/10W 10k ohm F	R550	032-0140-22	1/10W 68k ohm F	R821	116-1031-15	1/4W 10k ohm
R358	032-0140-50	1/10W 10k ohm F	R551	032-0140-00	1/10W 56k ohm F	R822	119-3321-15	1/10W 3.3k ohm
R359	032-0140-50	1/10W 10k ohm F	R552	117-6821-15	1/8W 6.8k ohm	R823	119-1031-15	1/10W 10k ohm
R360	032-0140-50	1/10W 10k ohm F	R553	119-4731-15	1/10W 47k ohm	R824	116-2221-15	1/4W 2.2k ohm
R391	119-5631-15	1/10W 56k ohm	R554	119-4731-15	1/10W 47k ohm	R825	116-2221-15	1/4W 2.2k ohm
R392	119-1221-15	1/10W 1.2k ohm	R555	119-5621-15	1/10W 5.6k ohm	R826	119-8221-15	1/10W 8.2k ohm
R393	119-2221-15	1/10W 2.2k ohm	R556	119-1021-15	1/10W 1k ohm	R902	119-0000-05	1/10W 0 ohm JW
R394	119-2221-15	1/10W 2.2k ohm	R557	119-4731-15	1/10W 47k ohm	R903	119-0000-05	1/10W 0 ohm JW
R395	119-2221-15	1/10W 2.2k ohm	R558	119-1031-15	1/10W 10k ohm	R904	119-0000-05	1/10W 0 ohm JW (2956N)
R396	119-2221-15	1/10W 2.2k ohm	R559	119-1021-15	1/10W 1k ohm	R905	119-0000-05	1/10W 0 ohm JW (2957N)
R397	119-1031-15	1/10W 10k ohm	R560	119-1021-15	1/10W 1k ohm	SUP101	060-0122-20	DSP-141N-SOOB
R398	119-4731-15	1/10W 47k ohm	R561	119-1021-15	1/10W 1k ohm	TH711	002-0318-01	1206L035YRT
R399	119-4731-15	1/10W 47k ohm	R562	119-1021-15	1/10W 1k ohm	TM101	073-0762-90	TERMINAL
R400	119-1031-15	1/10W 10k ohm	R563	119-0000-05	1/10W 0 ohm JW	TM501	073-0762-90	TERMINAL
R502	119-4721-15	1/10W 4.7k ohm	R564	119-1021-15	1/10W 1k ohm	TM502	073-0762-90	TERMINAL
R504	119-4721-15	1/10W 4.7k ohm	R566	119-1021-15	1/10W 1k ohm	TM801	073-0762-90	TERMINAL
R510	119-4721-15	1/10W 4.7k ohm	R568	119-4731-15	1/10W 47k ohm	TM802	073-0762-90	TERMINAL
R511	119-4721-15	1/10W 4.7k ohm	R570	119-4731-15	1/10W 47k ohm	X121	061-1066-00	702MHz
R512	119-4721-15	1/10W 4.7k ohm	R571	119-4731-15	1/10W 47k ohm	X501	060-1533-90	CSTCE10M0G52-RO
R513	119-4721-15	1/10W 4.7k ohm	R573	119-4731-15	1/10W 47k ohm (2957N)	PWB	039-2986-00	PWB(WITHOUT COMPONENT)
R514	119-1021-15	1/10W 1k ohm	R574	119-4731-15	1/10W 47k ohm (2956N)			
R515	119-1041-15	1/10W 100k ohm	R701	116-1211-15	1/4W 120 ohm			
R516	119-1041-15	1/10W 100k ohm	R702	116-6801-15	1/4W 68 ohm			
R517	116-1001-15	1/4W 10 ohm						
R520	119-4731-15	1/10W 47k ohm						

Switch PWB section (B2)

REF No.	PART No.	DESCRIPTION	REF No.	PART No.	DESCRIPTION	REF No.	PART No.	DESCRIPTION
C901	168-1042-78	16V 0.1uF	PL902	017-0420-35	14V 40mA ORANGE	R916	119-0000-05	1/10W 0 ohm JW
C902	168-1042-78	16V 0.1uF	PL903	017-0420-35	14V 40mA ORANGE	R918	119-4341-15	1/10W 430k ohm
C903	168-1042-78	16V 0.1uF	PL904	017-0420-35	14V 40mA ORANGE	R919	119-1021-15	1/10W 1k ohm
C904	168-1042-78	16V 0.1uF	PL905	017-0420-35	14V 40mA ORANGE	R920	119-1021-15	1/10W 1k ohm
C905	168-1042-78	16V 0.1uF	PL907	017-0420-35	14V 40mA ORANGE	R921	119-1841-15	1/10W 180k ohm
C906	178-1052-78	1uF	PL908	017-0420-35	14V 40mA ORANGE	R922	119-1841-15	1/10W 180k ohm
D901	001-0580-90	1SS352	PL909	017-0429-26	8V 105mA AMBER	R923	119-1841-15	1/10W 180k ohm
D902	001-0580-90	1SS352	PL910	017-0429-26	8V 105mA AMBER	R924	119-1841-15	1/10W 180k ohm
D903	001-0580-90	1SS352	R901	119-0000-05	1/10W 0 ohm JW	R940	119-0000-05	1/10W 0 ohm JW
D904	001-0580-90	1SS352	R902	119-0000-05	1/10W 0 ohm JW	TH901	002-0306-90	SC20-3J15
IC901	051-6084-00	NJU6625FG1-03	R907	119-0000-05	1/10W 0 ohm JW	VR901	016-0018-17	VR W/SHAFT
J901	074-3013-74	24P	R908	119-0000-05	1/10W 0 ohm JW	VR902	016-0018-17	VR W/SHAFT
L901	010-3406-66	22uH J	R909	119-0000-05	1/10W 0 ohm JW	PWB	039-2987-01	PWB(WITHOUT COMPONENT)
LCD901	379-1362-51	LCD	R910	119-0000-05	1/10W 0 ohm JW			
PL901	017-0420-35	14V 40mA ORANGE	R915	119-0000-05	1/10W 0 ohm JW			

CD PWB(B3) section

REF No.	PART No.	DESCRIPTION	REF No.	PART No.	DESCRIPTION	REF No.	PART No.	DESCRIPTION
C1	168-1042-78	16V 0.1uF	C134	168-1042-78	16V 0.1uF	R7	033-4731-15	1/10W 47k ohm
C4	168-1042-78	16V 0.1uF	C135	045-6801-50	50V 68pF	R8	033-1051-15	1/10W 1M ohm
C5	046-1032-78	0.01uF	C136	178-1052-78	1uF	R9	033-3311-15	1/10W 330 ohm
C9	046-4722-58	4700pF	C138	168-1042-78	16V 0.1uF	R12	033-4731-15	1/10W 47k ohm
C10	045-1011-50	100pF	C139	168-1042-78	16V 0.1uF	R13	033-1041-15	1/10W 100k ohm
C13	168-1042-78	16V 0.1uF	C140	046-6812-58	680pF	R14	033-4721-15	1/10W 4.7k ohm
C16	168-1042-78	16V 0.1uF	C142	178-1052-78	1uF	R15	033-4721-15	1/10W 4.7k ohm
C17	046-1032-78	0.01uF	C144	042-0560-85	6.3V 100uF	R16	033-1021-15	1/10W 1k ohm
C18	178-1052-78	1uF	C145	168-1042-78	16V 0.1uF	R17	033-1021-15	1/10W 1k ohm
C19	046-1032-78	0.01uF	C146	168-1042-78	16V 0.1uF	R19	033-4731-15	1/10W 47k ohm
C20	168-1042-78	16V 0.1uF	C147	178-1052-78	1uF	R20	033-4731-15	1/10W 47k ohm
C21	042-0595-53	4V220uF	C148	042-0595-53	4V220uF	R23	033-2211-15	1/10W 220 ohm
C22	168-1042-78	16V 0.1uF	C149	163-1073-35	16V100uF	R24	033-4731-15	1/10W 47k ohm
C23	168-1042-78	16V 0.1uF	C150	168-1042-78	16V 0.1uF	R28	033-6841-15	1/10W 680k ohm
C24	046-1032-78	0.01uF	C151	178-1052-78	1uF	R29	033-6841-15	1/10W 680k ohm
C25	045-8097-50	8pF	C200	178-1052-78	1uF	R30	033-1041-15	1/10W 100k ohm
C26	045-8097-50	8pF	CCT1	050-0145-54	1/16W 47k ohm x4	R31	033-1031-15	1/10W 10k ohm
C27	042-0416-52	10V10uF TAN	CCT2	050-0145-58	2.2k ohm x 4	R32	033-1031-15	1/10W 10k ohm
C28	046-1032-78	0.01uF	CCT3	050-0140-63	1/32W 47k ohm x4J	R33	033-1031-15	1/10W 10k ohm
C29	168-1042-78	16V 0.1uF	CCT101	050-0140-68	1/32W 3.3k ohm x4J	R34	033-6831-15	1/10W 68k ohm
C30	045-1201-50	12pF	D1	001-2610-90	RB480KTL	R35	033-6831-15	1/10W 68k ohm
C31	168-1042-78	16V 0.1uF	D2	001-2610-90	RB480KTL	R36	033-3311-15	1/10W 330 ohm
C32	046-1032-78	0.01uF	D3	001-2610-90	RB480KTL	R43	033-4731-15	1/10W 47k ohm
C33	046-1032-78	0.01uF	D4	001-2610-90	RB480KTL	R44	033-4731-15	1/10W 47k ohm
C34	046-1032-78	0.01uF	D5	001-2610-90	RB480KTL	R45	033-4731-15	1/10W 47k ohm
C35	046-1022-58	1000pF	D6	001-2610-90	RB480KTL	R101	033-1231-15	1/10W 12k ohm
C102	163-1073-35	16V100uF	D101	001-0367-91	1SS226	R102	033-3321-15	1/10W 3.3k ohm
C103	046-4722-58	4700pF	IC1	051-7518-18	SN74LVC139APWR	R103	033-3331-15	1/10W 33k ohm
C104	046-1032-78	0.01uF	IC2	051-3315-90	TPS76316DBVR	R104	033-4731-15	1/10W 47k ohm
C105	168-1042-78	16V 0.1uF	IC3	051-7239-38	SN74AHCT08PWR	R105	033-4731-15	1/10W 47k ohm
C106	168-1042-78	16V 0.1uF	IC5	051-5441-08	BD4828G-TR	R106	033-2211-15	1/10W 220 ohm
C107	042-0416-52	10V10uF TAN	IC6	051-6700-00	TMS320DA140	R107	033-2211-15	1/10W 220 ohm
C108	168-1042-78	16V 0.1uF	IC10	052-5055-34	MBM29DL800BA-90PFTN	R108	033-1021-15	1/10W 1k ohm
C109	168-1042-78	16V 0.1uF	IC11	051-6919-08	NJU6391PE	R109	033-1021-15	1/10W 1k ohm
C110	168-1042-78	16V 0.1uF	IC12	051-7221-58	SN74AHC1G04HDC	R110	033-4731-15	1/10W 47k ohm
C111	168-1042-78	16V 0.1uF			KR	R115	033-0000-05	1/10W 0 ohm
C112	168-4732-78	0.047uF	IC13	051-7280-38	TC7SU04FU-TE85L	R116	033-5621-15	1/10W 5.6k ohm
C113	168-4732-78	0.047uF	IC14	051-7280-38	TC7SU04FU-TE85L	R117	033-4731-15	1/10W 47k ohm
C114	168-1042-78	16V 0.1uF	IC101	051-6069-08	FAN8047G3	R118	033-3341-15	1/10W 330k ohm
C115	045-4701-50	47pF	IC102	051-6399-00	TC94A15F	R119	033-2231-15	1/10W 22k ohm
C116	046-4712-58	470pF	J1	074-1138-65	15P	R120	033-2231-15	1/10W 22k ohm
C117	046-4712-58	470pF	J2	074-1138-60	10P	R121	117-1001-15	1/10W 10 ohm
C118	168-1042-78	16V 0.1uF	J3	074-1237-70	20P	R122	033-2211-15	1/10W 220 ohm
C119	168-1042-78	16V 0.1uF	Q1	131-1188-50	2SB1188PQR	R123	117-6811-15	1/10W 680 ohm
C120	046-1532-78	0.015uF	Q2	125-2004-92	RN1402	R124	032-0162-50	1/10W 0.51 ohm
C121	046-6822-58	6800pF	Q101	131-1188-50	2SB1188PQR	R126	033-1021-15	1/10W 1k ohm
C122	168-1042-78	16V 0.1uF	Q102	131-1188-50	2SB1188PQR	R127	033-1021-15	1/10W 1k ohm
C123	046-1032-78	0.01uF	R1	033-4721-15	1/10W 4.7k ohm	R130	033-1051-15	1/10W 1M ohm
C126	046-3332-78	0.033uF	R2	033-1041-15	1/10W 100k ohm	TM101	073-0768-90	TERMINAL
C127	046-4722-58	4700pF	R3	033-1041-15	1/10W 100k ohm	X1	061-3534-90	16.92MHz
C130	168-1042-78	16V 0.1uF	R4	033-1031-15	1/10W 10k ohm	PWB	039-2429-21	PWB(WITHOUT COMPONENTS)
C131	046-1522-58	1500pF	R5	033-2231-15	1/10W 22k ohm			
C132	168-1042-78	16V 0.1uF	R6	033-3911-15	1/10W 390 ohm			
C133	046-1532-78	0.015uF						

Sensor PWB(B4) section

REF No.	PART No.	DESCRIPTION	REF No.	PART No.	DESCRIPTION	REF No.	PART No.	DESCRIPTION
D11	001-7058-90	AN1105W-RR	Q11	060-4015-90	PS1192H	S2	013-7413-50	LIMIT
D12	001-7058-90	AN1105W-RR	Q12	060-4015-90	PS1192H	PWB	039-2675-00	PWB(WITHOUT COMPONENTS)
J4	074-1138-60	10P	S1	013-7414-50	CHUCKING			