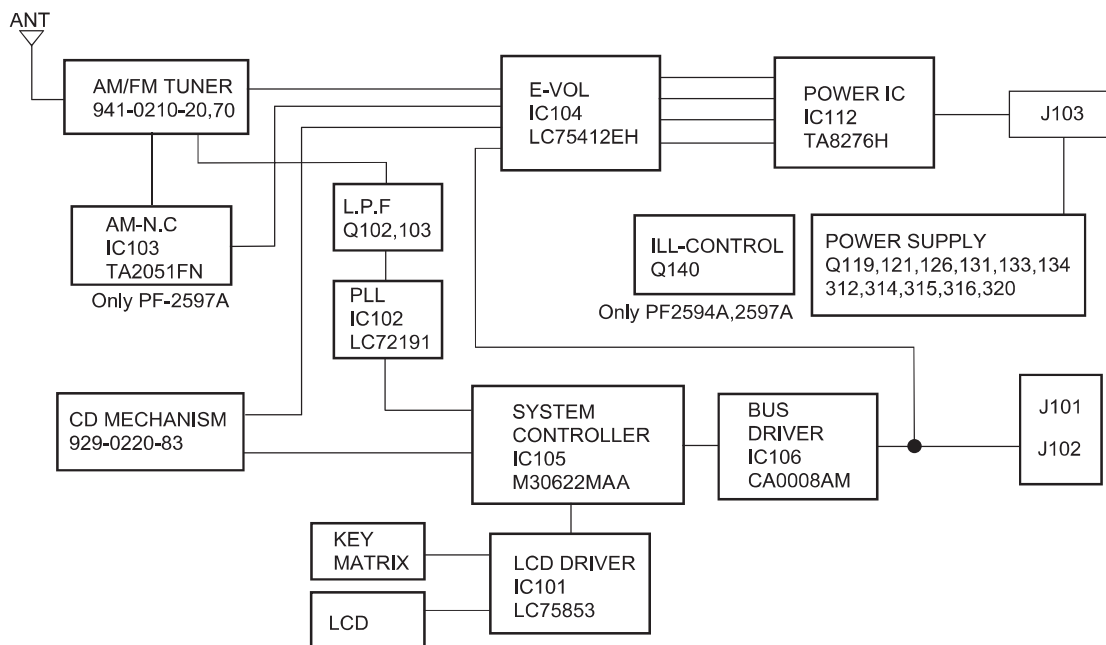


BLOCK DIAGRAM



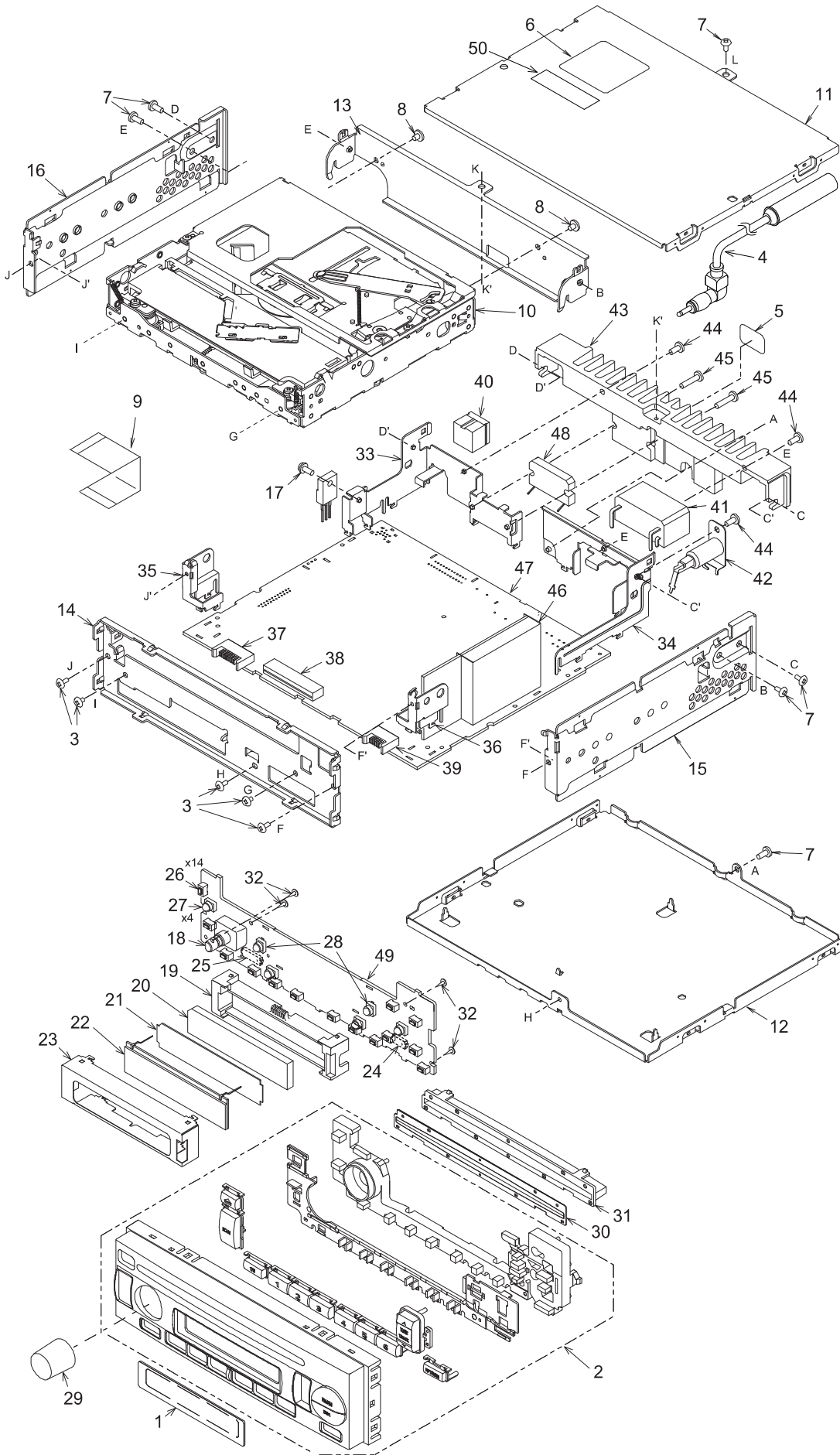
EXPLODED VIEW/PARTS LIST

Main section

Note)Some parts depend on each model.The model name is specified in the description .
(2594A;PF2594A, 2594A;PF-2594B, 2597A;PF-2597A)

NO.	PART NO.	DESCRIPTION	Q'TY	NO.	PART NO.	DESCRIPTION	Q'TY
1	373-0950-00	DIAL COVER	1	27	017-0433-53	PILOTLAMP 14V40mA (PF2594A)	4
2	940-7950-32 940-7950-12 940-7950-42	ESCUTCHEON ASSY(2594A) ESCUTCHEON ASSY(2594B) ESCUTCHEON ASSY(2597A)	1		017-0433-76	PILOTLAMP 14V40mA (PF2594B/PF2597A)	
3	714-2304-89	MACHINE SCREW M2.3 x4	5	28	017-0447-67 017-0447-72	PILOTLAMP 8V105mA (PF2594A) PILOTLAMP 8V105mA (PF2594B/PF2597A)	2
4	093-2012-00	ANTENNA JUMPER(2594B)	1	29	380-5508-00	KNOB	1
5	290-5010-81 290-5010-92 290-5010-86	LABEL G11(2594A) LABEL L10(2594B) LABEL G13(2597A)	1	30	346-0126-00	LEATHER SHEET	1
6	----- 286-9542-01	SETPLATE(2594A,B) SETPLATE(2597A)	1	31	335-6935-00	DISC GUIDE	1
7	714-2606-81	MACHINE SCREW M2.6 x6	6	32	716-0872-01	PAD SCREW	4
8	714-2303-81	MACHINE SCREW M2.3 x3	2	33	331-3110-00	REAR PLATE LH	1
9	816-2594-00	FLAT WIRE	1	34	331-3109-00	REAR PLATE RH	1
10	929-0220-83	CD MECHANISM	1	35	309-0769-00	FRONT PLATE LH	1
11	310-1774-00	UPPER CASE	1	36	309-0770-00	FRONT PLATE RH	1
12	304-0474-00	LOWER COVER	1	37	076-0648-12	PLUG 12P	1
13	331-3596-00	MECHANISM BRACKET	1	38	074-1191-26	OUTLET SOCKET 26P	1
14	331-3594-00	ES PLATE	1	39	076-0648-08	PLUG 8P	1
15	305-0306-00	SIDE COVER RH	1	40	074-1194-00	OUTLET SOCKET 13P	1
16	305-0305-00	SIDE COVER LH	1	41	074-1010-10	OUTLET SOCKET	1
17	716-1494-00	IT SCREW M2.6 x6	1	42	092-0702-00	ANT RECEPTACLE	1
18	016-0014-04	ROTARY ENCODER	1	43	313-1807-00	HEAT SINK	1
19	335-6478-01	ILLUMI HOLDER	1	44	714-2606-81	MACHINE SCREW M2.6 x6	3
20	335-6479-00	LCD ILLUMI	1	45	714-2612-80	MACHINE SCREW M2.6 x12	2
21	335-6480-00	COLOR FILTER	1	46	941-0210-20 941-0210-70	AM/FM TUNER AM/FM TUNER	1
22	379-1194-30	INDICATOR(LCD)	1	47	039-2276-00	MAIN PWB (WITHOUT COMPONENT)	1
23	331-3111-00	LCD COVER	1	48	051-2040-00	IC TA8276H	1
24	074-1279-08	OUTLET SOCKET 8P	1	49	039-1874-00	SWITCH PWB (WITHOUT COMPONENT)	1
25	074-1279-12	OUTLET SOCKET 12P	1	50	290-7833-02	LABEL FREQUENCY	1
26	013-6302-51	SWITCH	14				

PF2594A,B
PF-2597A

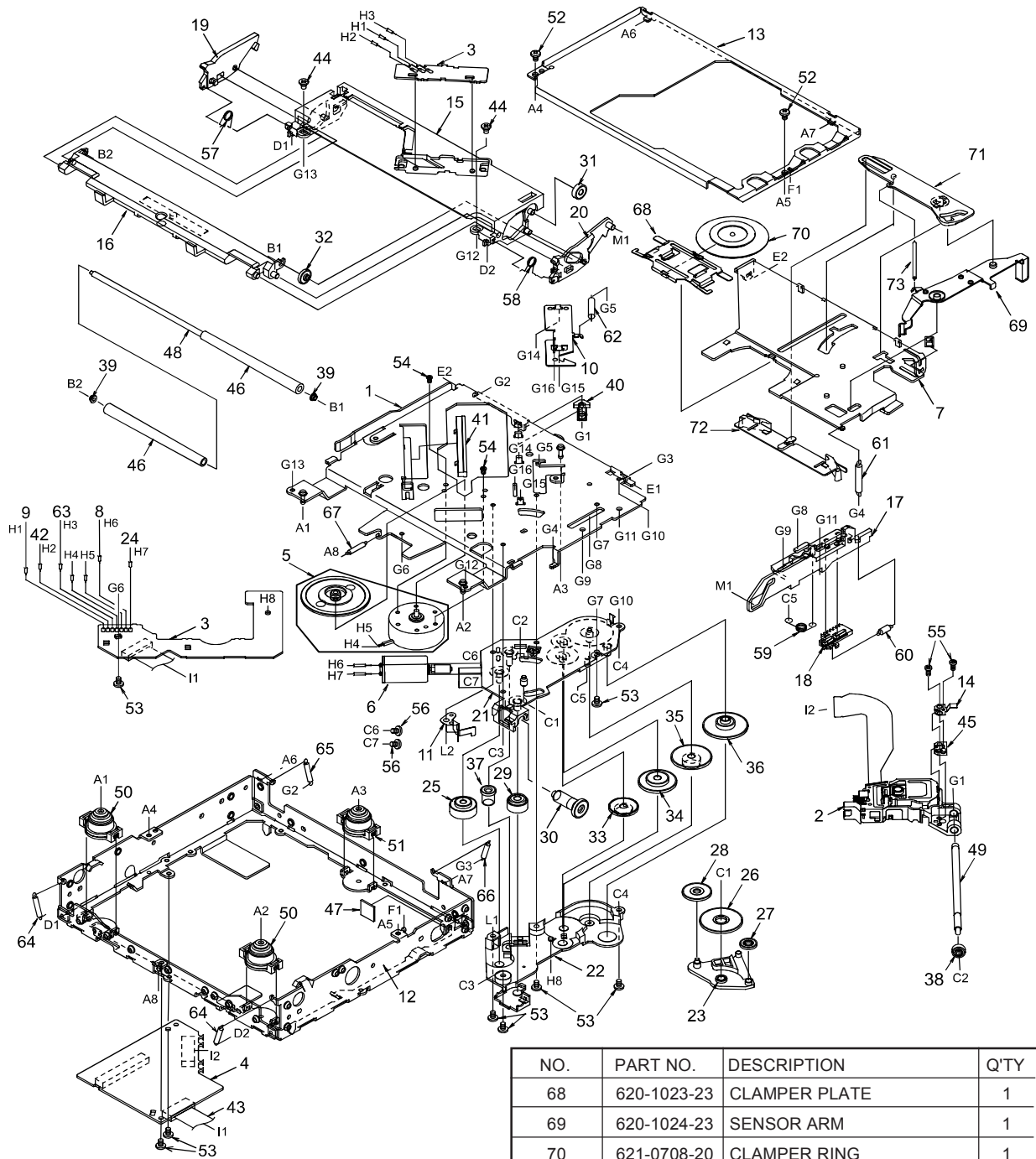


EXPLODED VIEW/PARTS LIST

CD mechanism section(929-0220-83)

NO.	PART NO.	DESCRIPTION	Q'TY	NO.	PART NO.	DESCRIPTION	Q'TY
1	966-0595-25	DRIVE PLATE ASSY	1	34	621-0617-20	POWER GEAR B	1
2	969-0060-30	PICK UP UNIT	1	35	621-0618-20	POWER GEAR C	1
3	039-1944-21	LED PWB (WITHOUT COMPONENT)	1	36	621-0619-20	POWER GEAR D	1
4	039-1945-20	CD PWB (WITHOUT COMPONENT)	1	37	621-0620-20	THREAD GEAR A	1
5	SMA-182-100	MOTOR ASSY SPINDLE	1	38	621-0621-20	THREAD GEAR B	1
6	SMA-183-100	MOTOR ASSY SLED	1	39	621-0622-21	ROLLER SLEEVE	2
7	620-1022-25	CLAMPER LINK	1	40	621-0623-22	LS-HOLDER	1
8	803-4906-60	VINYL COAT WIRE ORG	1	41	621-0624-22	GUIDE RAIL	1
9	816-2591-00	LEAD WIRE YEL	1	42	816-2593-00	LEAD WIRE PUR	1
10	620-1025-22	ID-LOCK PLATE	1	43	816-2542-01	FLAT WIRE 10P	1
11	620-1026-21	SPRING PLATE	1	44	716-3473-00	SCREW	2
12	620-1027-26	LOWER CHASSIS	1	45	621-0709-20	SH-BASE	1
13	620-1028-23	UPPER CHASSIS	1	46	621-0629-20	LOADING ROLLER	2
14	966-0638-20	SH-RACK ASSY	1	47	345-8704-20	CUSHION RUBBER	1
15	621-0598-26	UPPER GUIDE	1	48	622-1660-20	ROLLER SHAFT	1
16	621-0718-20	ROLLER GUIDE	1	49	624-0018-01	LEAD SCREW	1
17	621-0600-26	SHIFT LEVER	1	50	629-0081-20	DAMPER F	2
18	621-0601-21	RACK	1	51	629-0082-20	DAMPER R	1
19	621-0602-22	LOCK ARM L	1	52	714-2003-81	MACHINE SCREW	2
20	621-0603-25	LOCK ARM R	1	53	716-1507-00	SCREW	9
21	621-0724-20	GEAR BASE	1	54	716-1733-00	SCREW	2
22	621-0605-22	GEAR COVER	1	55	716-3469-00	SCREW	2
23	621-0606-21	IDLE CASE	1	56	716-3446-00	SCREW	2
24	816-2590-00	VINYL COAT WIRE GRN	1	57	750-3465-21	ROLLER SPRING L	1
25	621-0608-21	SECOND GEAR	1	58	750-3466-20	ROLLER SPRING R	1
26	621-0609-20	BASE GEAR	1	59	750-3467-21	SHIFT SPRING	1
27	621-0610-20	IDLE GEAR A	1	60	750-3468-20	RACK SPRING	1
28	621-0611-20	IDLE GEAR B	1	61	750-3469-20	CLAMPER SPRING	1
29	621-0612-21	ROLLER GEAR A	1	62	750-3470-20	ID-LOCK SPRING	1
30	621-0613-20	ROLLER GEAR B	1	63	816-2592-00	LEAD WIRE BLU	1
31	621-0614-20	ROLLER GEAR C	1	64	750-3472-21	DR-SPRING F	2
32	621-0615-21	ROLLER GEAR D	1	65	750-3473-20	DR-SPRING RA	1
33	621-0616-20	POWER GEAR A	1	66	750-3474-20	DR-SPRING RB	1
				67	750-3475-21	DR-SPRING C	1

PF2594A,B
PF-2597A



NO.	PART NO.	DESCRIPTION	Q'TY
68	620-1023-23	CLAMPER PLATE	1
69	620-1024-23	SENSOR ARM	1
70	621-0708-20	CLAMPER RING	1
71	621-0626-21	STOPPER LINK	1
72	621-0627-21	DISC STOPPER	1
73	750-3471-20	SENSOR SPRING	1

ELECTRICAL PARTS LIST

Note) Several different parts of the same reference number are alternative parts.
One of those parts is used in the set.

Note) Some parts depend on each model. The model name is specified in the description . (2594A;PF2594A, 2594B;PF-2594B, 2597A;PF-2597A)

Main PWB(B1) section

REF No.	PART No.	DESCRIPTION	REF No.	PART No.	DESCRIPTION	REF No.	PART No.	DESCRIPTION
ANT101	092-0702-00	ANT RECEPT	C112	168-1022-55	1000pF	C122	166-1801-50	18pF CH
BL101	941-0210-20	AM/FM TUNER	C113	168-2232-55	0.022 uF	C125	168-1042-78	16V 0.1 uF
BL101	941-0210-70	AM/FM TUNER	C114	166-4701-50	47pF CH	C129	166-5601-50	56pF CH
C102	168-1032-55	0.01 uF	C115	166-1011-50	100pF CH	C130	183-1073-27	10V100 uF
C103	168-2232-55	0.022 uF	C116	166-1011-50	100pF CH	C131	166-1801-50	18pF CH
C104	183-4763-37	16V47 uF	C117	166-1011-50	100pF CH	C134	183-1063-37	16V10 uF(2597A)
C105	183-4763-37	16V47 uF	C118	166-1011-50	100pF CH	C135	166-1011-50	100pF CH
C111	042-0458-90	50V1 uF	C120	168-4722-55	4700pF	C136	166-5601-50	56pF CH(2597A)

REF No.	PART No.	DESCRIPTION	REF No.	PART No.	DESCRIPTION	REF No.	PART No.	DESCRIPTION
C137	166-1011-50	100pF CH	C244	183-4763-37	16V47 uF	L108	010-6009-76	22 uH
C138	168-1042-78	16V 0.1 uF	C248	183-1073-27	10V100 uF	P101	076-0648-12	12P
C139	168-1022-55	1000pF(2597A)	C263	182-2273-13	6.3V 220uF	P102	076-0648-08	8P
C140	168-2232-55	0.022 uF(2597A)	C264	168-1042-78	16V 0.1 uF	Q102	192-2458-51	2SC2458Y.GR.BL
C141	183-1063-37	16V10 uF(2597A)	C265	172-1041-15	0.1 uF	Q103	192-2458-51	2SC2458Y.GR.BL
C143	183-1073-27	10V100 uF	C266	172-1041-15	0.1 uF	Q104	191-1240-00	2SB1240
C144	178-1242-78	0.12 uF(2597A)	C267	172-1041-15	0.1 uF	Q107	191-1240-00	2SB1240
C146	168-5632-78	16V 0.056 uF (2597A)	C268	172-1041-15	0.1 uF	Q116	192-2458-00	2SC2458
C147	042-0472-91	16V47 uF	C269	183-4763-37	16V47 uF	Q118	192-2458-00	2SC2458
C148	042-0398-53	16V3.3 uF TAN (2597A)	C272	172-1041-15	0.1 uF	Q119	193-2118-00	2SD2118
C149	168-8232-78	16V 0.082 uF (2597A)	C274	042-0586-00	16V 4700uF	Q121	191-1240-00	2SB1240
C151	168-4712-55	470pF(2597A)	C278	183-1053-67	50V1 uF	Q122	125-2003-92	RN1202
C152	168-2732-55	0.027 uF(2597A)	C279	183-1053-67	50V1 uF	Q124	125-0003-92	RN2202
C153	168-4712-55	470pF(2597A)	C280	183-1063-37	16V10 uF	Q125	125-2003-92	RN1202
C154	166-5601-50	56pF CH(2597A)	C281	172-1041-15	0.1 uF	Q126	193-2118-00	2SD2118
C155	166-4701-50	47pF CH(2597A)	C282	183-1063-37	16V10 uF	Q127	125-0003-92	RN2202
C156	168-4722-55	4700pF(2597A)	C283	183-4763-37	16V47 uF	Q128	125-2003-92	RN1202
C157	168-1032-55	0.01 uF(2597A)	C284	168-1042-78	16V 0.1 uF	Q129	191-1240-00	2SB1240
C158	168-4732-78	16V 0.047 uF (2597A)	C285	183-1063-37	16V10 uF	Q130	192-2458-00	2SC2458
C159	168-2732-55	0.027 uF	C286	183-1053-67	50V1 uF	Q131	193-1858-00	2SD1858
C160	168-1032-55	0.01 uF(2597A)	C287	183-4763-37	16V47 uF	Q133	193-1858-00	2SD1858
C161	168-2232-55	0.022 uF(2597A)	C289	172-1041-15	0.1 uF	Q134	193-1858-00	2SD1858
C162	168-2732-55	0.027 uF	C290	042-0576-00	5.5V 0.1F	Q135	192-2458-00	2SC2458
C163	183-4753-57	35V4.7 uF(2597A)	C295	168-1042-78	16V 0.1 uF (2594A/2597A)	Q136	125-2003-92	RN1202
C164	183-4753-57	35V4.7 uF(2597A)	C296	183-4756-58	35V4.7 uF NP (2594A/2597A)	Q137	125-2003-92	RN1202
C165	168-6832-78	16V 0.068 uF (2597A)	C299	168-2232-55	0.022 uF	Q140	192-2458-00	2SC2458 (2594A/2597A)
C165	168-2232-55	0.022 uF(2594A,B)	C300	166-1011-50	100pF CH	Q141	192-2712-00	2SC2712 (2594A/2597A)
C166	168-1022-55	1000pF	C301	166-1011-50	100pF CH	Q305	192-2458-00	2SC2458
C167	168-3932-78	16V 0.039 uF	C307	178-5642-78	0.56 uF	Q312	190-1428-00	2SA1428
C168	183-4763-17	6.3V47 uF	C308	168-2245-79	0.22 uF	Q313	125-2003-92	RN1202
C169	183-4763-37	16V47 uF	C310	168-1042-78	16V 0.1 uF	Q314	193-1858-00	2SD1858
C170	178-2742-78	0.27 uF	C311	168-1042-78	16V 0.1 uF	Q315	193-1858-00	2SD1858
C171	183-1063-37	16V10 uF	C314	168-2232-55	0.022 uF	Q316	190-1428-00	2SA1428
C172	183-1063-37	16V10 uF	C316	183-1063-37	16V10 uF	Q317	192-2458-00	2SC2458
C173	183-2253-67	50V2.2 uF	C317	183-1073-27	10V100 uF	Q320	103-2012-00	2SD2012
C174	172-2731-15	0.027 uF	C318	042-0452-81	10V220 uF	Q321	125-0003-92	RN2202
C175	168-1532-55	0.015 uF	D104	001-0330-90	1SS119	Q322	125-2003-92	RN1202
C176	168-1532-55	0.015 uF	D108	001-0347-22	MA4043L	Q401	125-2003-92	RN1202
C177	172-2731-15	0.027 uF	D110	001-0347-48	MA4091H	Q402	192-2458-00	2SC2458
C178	183-2253-67	50V2.2 uF	D111	001-0330-90	1SS119	R105	119-4721-15	1/10W 4.7k ohm
C179	183-1063-37	16V10 uF	D112	001-0330-90	1SS119	R108	119-0000-05	1/10W 0 ohm JW
C180	183-1063-37	16V10 uF	D113	001-0504-36	HZS7 A1L	R110	119-3321-15	1/10W 3.3k ohm
C181	178-2742-78	0.27 uF	D114	001-2015-00	RL253	R112	119-2221-15	1/10W 2.2k ohm
C182	168-1822-55	1800pF	D115	001-0347-37	MA4068L	R115	119-2221-15	1/10W 2.2k ohm
C183	168-1822-55	1800pF	D116	001-0466-90	S5688B	R116	119-2221-15	1/10W 2.2k ohm
C184	183-1053-67	50V1 uF	D117	001-0347-43	MA4082L	R117	119-1031-15	1/10W 10k ohm
C185	183-1053-67	50V1 uF	D118	001-0424-31	MA4180	R118	119-0000-05	1/10W 0 ohm JW
C190	168-1042-78	16V 0.1 uF	D119	001-0347-22	MA4043L	R119	119-4721-15	1/10W 4.7k ohm
C191	168-1042-78	16V 0.1 uF	D120	001-0424-31	MA4180	R121	119-1041-15	1/10W 100k ohm
C193	168-1042-78	16V 0.1 uF	D121	001-0424-31	MA4180	R122	119-1031-15	1/10W 10k ohm
C194	168-1042-78	16V 0.1 uF	D122	001-0466-90	S5688B	R123	119-2221-15	1/10W 2.2k ohm
C195	166-8097-50	8pF CH	D123	001-0330-90	1SS119	R124	111-1001-98	1/4W 10 ohm
C196	166-8097-50	8pF CH	D124	001-0466-90	S5688B	R125	119-1041-15	1/10W 100k ohm
C197	168-1032-55	0.01 uF	D125	001-0466-90	S5688B	R126	119-4731-15	1/10W 47k ohm
C198	168-1022-55	1000pF	D128	001-0330-90	1SS119	R127	119-5601-15	1/10W 56 ohm
C199	168-1022-55	1000pF	D306	001-0347-33	MA4056H	R129	119-6831-15	1/10W 68k ohm
C200	183-4763-37	16V47 uF	D308	001-0347-48	MA4091H	R130	119-1031-15	1/10W 10k ohm (2597A)
C201	168-1042-78	16V 0.1 uF	IC102	051-6212-08	LC72191JM-TLM	R132	119-1021-15	1/10W 1k ohm
C203	168-1022-55	1000pF	IC103	051-4200-90	TA2051FND114 (2597A)	R133	119-1021-15	1/10W 1k ohm
C204	168-1022-55	1000pF	IC104	051-5029-00	LC75412EH	R134	119-1031-15	1/10W 10k ohm (2597A)
C208	183-1066-38	16V10 uF NP	IC105	052-3155-50	M30622MAA-5P8FP	R135	119-1011-15	1/10W 100 ohm (2597A)
C209	183-1066-38	16V10 uF NP	IC106	051-6600-38	CA0008AM	R136	119-1031-15	1/10W 10k ohm
C210	168-1032-55	0.01 uF	IC108	051-0869-58	NJM2103M	R137	119-5631-15	1/10W 56k ohm
C211	168-3332-78	16V 0.033 uF	IC112	051-2040-00	TA8276H	R138	119-1031-15	1/10W 10k ohm
C213	168-1032-55	0.01 uF	J102	074-1194-00	13P CE-NET	R139	119-1211-15	1/10W 120 ohm
C214	168-1032-55	0.01 uF	J103	074-1010-10	14P	R140	119-1021-15	1/10W 1k ohm
C227	183-1053-67	50V1 uF	J104	074-1186-26	26P	R142	119-1231-15	1/10W 12k ohm (2597A)
C234	168-1042-78	16V 0.1 uF	L101	010-6009-76	22 uH	R143	119-4731-15	1/10W 47k ohm
C237	168-1022-55	1000pF	L102	010-2003-04	COIL			
			L105	010-6009-76	22 uH			
			L107	010-6009-76	22 uH			

PF2594A,B
PF-2597A

REF No.	PART No.	DESCRIPTION	REF No.	PART No.	DESCRIPTION	REF No.	PART No.	DESCRIPTION
R144	119-6821-15	1/10W 6.8k ohm (2597A)	R201	119-1031-15	1/10W 10k ohm	R290	119-4721-15	1/10W 4.7k ohm (2594A/2597A)
R145	119-1011-15	1/10W 100 ohm (2594A,2594B)	R204	111-1001-98	1/4W 10 ohm	R291	119-1831-15	1/10W 18k ohm (2594A/2597A)
R146	119-5631-15	1/10W 56k ohm (2597A)	R205	119-4731-15	1/10W 47k ohm	R292	111-5611-98	1/4W 560 ohm (2594A/2597A)
R147	119-3331-15	1/10W 33k ohm (2597A)	R208	119-6831-15	1/10W 68k ohm	R293	111-4721-98	1/4W 4.7k ohm (2594A/2597A)
R148	119-1021-15	1/10W 1k ohm	R209	119-5621-15	1/10W 5.6k ohm	R301	119-1041-15	1/10W 100k ohm
R149	119-2221-15	1/10W 2.2k ohm (2597A)	R214	119-1021-15	1/10W 1k ohm	R302	119-1041-15	1/10W 100k ohm
R150	119-1031-15	1/10W 10k ohm	R215	119-6831-15	1/10W 68k ohm	R303	119-4731-15	1/10W 47k ohm
R151	119-1021-15	1/10W 1k ohm	R216	119-5631-15	1/10W 56k ohm	R304	119-4731-15	1/10W 47k ohm
R152	119-1021-15	1/10W 1k ohm	R220	119-3341-15	1/10W 330k ohm	R315	119-2231-15	1/10W 22k ohm
R154	119-1031-15	1/10W 10k ohm	R227	119-2231-15	1/10W 22k ohm	R319	119-0000-05	1/10W 0 ohm JW (2594A/2597A)
R155	119-1031-15	1/10W 10k ohm	R228	119-2231-15	1/10W 22k ohm	R324	119-0000-05	1/10W 0 ohm JW (2597A)
R156	119-4731-15	1/10W 47k ohm	R231	111-4711-98	1/4W 470 ohm	R325	119-0000-05	1/10W 0 ohm JW (2594A,B)
R157	119-4731-15	1/10W 47k ohm	R237	119-4721-15	1/10W 4.7k ohm	R327	119-0000-05	1/10W 0 ohm JW
R159	119-0000-05	1/10W 0 ohm JW	R239	119-1031-15	1/10W 10k ohm	R332	119-5611-15	1/10W 560 ohm
R161	119-0000-05	1/10W 0 ohm JW	R243	119-2221-15	1/10W 2.2k ohm	R333	119-2221-15	1/10W 2.2k ohm
R163	119-0000-05	1/10W 0 ohm JW	R244	119-2221-15	1/10W 2.2k ohm	R334	119-2291-15	1/10W 2.2 ohm
R164	119-1021-15	1/10W 1k ohm	R245	119-2221-15	1/10W 2.2k ohm	R335	119-2291-15	1/10W 2.2 ohm
R165	119-3331-15	1/10W 33k ohm	R246	119-2221-15	1/10W 2.2k ohm	R336	119-3611-15	1/10W 360 ohm
R166	119-3331-15	1/10W 33k ohm	R247	119-1031-15	1/10W 10k ohm	R337	111-2211-81	1/2WS 220 ohm
R167	119-2231-15	1/10W 22k ohm	R254	119-3321-15	1/10W 3.3k ohm	R346	111-1511-81	1/2WS 150 ohm
R168	119-1021-15	1/10W 1k ohm	R256	119-1031-15	1/10W 10k ohm	R338	119-2231-15	1/10W 22k ohm
R169	119-1021-15	1/10W 1k ohm	R257	119-1031-15	1/10W 10k ohm	R339	119-4721-15	1/10W 4.7k ohm
R170	119-1021-15	1/10W 1k ohm	R258	111-1021-98	1/4W 1k ohm	R340	119-3321-15	1/10W 3.3k ohm
R171	119-1021-15	1/10W 1k ohm	R259	119-2231-15	1/10W 22k ohm	R401	119-4731-15	1/10W 47k ohm
R172	119-2231-15	1/10W 22k ohm	R260	111-1521-81	1/2WS 1.5k ohm	R402	119-4731-15	1/10W 47k ohm
R173	119-3331-15	1/10W 33k ohm	R262	119-1031-15	1/10W 10k ohm	R501	119-0000-05	1/10W 0 ohm JW (2594B)
R174	119-3331-15	1/10W 33k ohm	R264	111-1211-98	1/4W 120 ohm	R502	119-0000-05	1/10W 0 ohm JW (2594A/2597A)
R175	119-1021-15	1/10W 1k ohm	R265	111-6801-98	1/4W 68 ohm	R503	119-0000-05	1/10W 0 ohm JW (2594B)
R176	119-1021-15	1/10W 1k ohm	R266	119-4721-15	1/10W 4.7k ohm	R504	119-1001-15	1/10W 10 ohm (2597A)
R177	119-1021-15	1/10W 1k ohm	R267	111-1021-98	1/4W 1k ohm	R505	119-0000-05	1/10W 0 ohm JW
R178	119-1231-15	1/10W 12k ohm	R268	111-5621-98	1/4W 5.6k ohm	SUP101	060-0122-20	DSP-141N-S00B
R179	119-1231-15	1/10W 12k ohm	R269	119-2291-15	1/10W 2.2 ohm	T101	009-0670-00	CHOCKE
R180	119-1021-15	1/10W 1k ohm	R270	119-2291-15	1/10W 2.2 ohm	TH101	002-0222-90	PTH61G30BD
R181	119-0000-05	1/10W 0 ohm JW	R271	119-2291-15	1/10W 2.2 ohm	X101	061-1066-00	7.2MHz
R182	119-1021-15	1/10W 1k ohm	R272	119-2231-15	1/10W 22k ohm	X102	061-3504-90	CX-5F 10MHz
R183	119-1021-15	1/10W 1k ohm	R273	119-2231-15	1/10W 22k ohm			
R184	119-1021-15	1/10W 1k ohm	R274	119-2231-15	1/10W 22k ohm			
R186	119-4721-15	1/10W 4.7k ohm	R275	119-8221-15	1/10W 8.2k ohm			
R187	119-4721-15	1/10W 4.7k ohm	R276	114-2291-11	1W 2.2 ohm			
R188	119-4731-15	1/10W 47k ohm	R277	119-2221-15	1/10W 2.2k ohm			
R189	119-4731-15	1/10W 47k ohm	R283	119-0000-05	1/10W 0 ohm JW			
R190	119-4731-15	1/10W 47k ohm	R284	119-0000-05	1/10W 0 ohm JW			
R196	119-1051-15	1/10W 1M ohm	R285	119-4721-15	1/10W 4.7k ohm			
			R286	119-4721-15	1/10W 4.7k ohm			
			R287	111-6891-81	1/2WS 6.8 ohm (2594B/2597A)			
			R287	111-1511-81	1/2WS 15 ohm (2594A)			

Switch PWB(B2) section

REF No.	PART No.	DESCRIPTION	REF No.	PART No.	DESCRIPTION	REF No.	PART No.	DESCRIPTION
C101	168-4735-56	0.047uF				S101	013-6302-51	SKQMAL
C102	168-4735-56	0.047uF	PL103	017-0447-67	8V105mA(2594A)	S102	013-6302-51	SKQMAL
C103	168-8212-55	820pF		017-0433-76	14V40mA (2594B/2597A)	S103	013-6302-51	SKQMAL
C104	168-1045-56	0.1uF		017-0433-53	14V40mA(2594A)	S104	013-6302-51	SKQMAL
C105	168-1045-56	0.1uF	PL104	017-0433-76	14V40mA (2594B/2597A)	S105	013-6302-51	SKQMAL
C106	168-1032-55	0.01uF		017-0433-53	14V40mA(2594A)	S106	013-6302-51	SKQMAL
IC101	051-6000-10	LC75853NE	PL105	017-0433-76	14V40mA (2594B/2597A)	S107	013-6302-51	SKQMAL
J101	074-1279-12	12P		017-0433-53	14V40mA(2594A)	S108	013-6302-51	SKQMAL
J102	074-1279-08	8P		017-0433-76	14V40mA (2594B/2597A)	S109	013-6302-51	SKQMAL
L101	010-2199-78	22 uH J		017-0433-53	14V40mA(2594A)	S110	013-6302-51	SKQMAL
LCD101	379-1194-30	LUC 761A	PL106	017-0433-76	14V40mA (2594B/2597A)	S111	013-6302-51	SKQMAL
PL101	017-0447-72	8V105mA (2594B/2597A)		017-0433-53	14V40mA(2594A)	S112	013-6302-51	SKQMAL
	017-0447-67	8V105mA(2594A)	R101	119-6831-15	1/16W 68k ohm	S113	013-6302-51	SKQMAL
PL102	017-0447-72	8V105mA (2594B/2597A)	R102	119-0000-05	1/16W 0 ohm JW	S114	013-6302-51	SKQMAL
			R103	119-1021-15	1/16W 1k ohm	VR101	016-0014-04	VR W/SHAFT

CD PWB section(B3):CD mechanism

REF No.	PART No.	DESCRIPTION	REF No.	PART No.	DESCRIPTION	REF No.	PART No.	DESCRIPTION
C101	168-1042-78	0.1uF	C103	046-4722-58	4700pF	C105	046-1532-78	0.015uF
C102	045-4701-50	47pF	C104	168-1042-78	0.1uF	C106	046-1032-78	0.01uF

REF No.	PART No.	DESCRIPTION	REF No.	PART No.	DESCRIPTION	REF No.	PART No.	DESCRIPTION
C107	046-1032-78	0.01uF	C211	168-1042-78	0.1uF	R111	033-3321-15	1/16W 3.3k ohm
C108	046-4722-58	4700pF	C212	168-1042-78	0.1uF	R114	033-2211-15	1/16W 220 ohm
C109	046-1522-58	1500pF	C213	045-5096-50	5pF	R115	033-2211-15	1/16W 220 ohm
C110	046-3332-78	0.033uF	C214	045-5601-50	56pF	R116	033-1031-15	1/16W 10k ohm
C111	168-1042-78	0.1uF	C215	043-0533-50	0.047uF	R117	033-1021-15	1/16W 1k ohm
C112	046-3332-78	0.033uF	C216	178-1052-78	1uF	R131	033-4711-15	1/16W 470 ohm
C113	168-1042-78	0.1uF	C217	045-1011-50	100pF	R132	033-2211-15	1/16W 220 ohm
C114	168-1042-78	0.1uF	C301	163-1073-35	16V100uF	R201	117-2201-15	1/10W 22 ohm
C115	046-4712-58	470pF	C302	168-1042-78	0.1uF	R202	117-2201-15	1/10W 22 ohm
C116	046-4712-58	470pF	C303	043-0533-50	0.047uF	R203	033-1041-15	1/16W 100k ohm
C117	043-0533-50	0.047uF	D201	001-0516-90	MA111	R204	033-1041-15	1/16W 100k ohm
C118	043-0533-50	0.047uF	IC101	051-6376-00	TC94A14FA	R205	033-1041-15	1/16W 100k ohm
C119	045-2701-50	27pF	IC102	051-3279-90	BA033LBSG	R206	033-1041-15	1/16W 100k ohm
C120	045-1801-50	18pF	IC201	051-5710-90	TA2157F	R207	033-1041-15	1/16W 100k ohm
C121	163-1063-35	16V10uF	IC301	051-6049-08	BA5983FP-E2	R208	033-8231-15	1/16W 82k ohm
C122	178-1052-78	1uF	J101	074-1228-76	26P	R209	033-6811-15	1/16W 680 ohm
C123	046-1032-78	0.01uF	J201	074-1138-65	15P	R210	033-6831-15	1/16W 68k ohm
C124	163-1073-05	4V100uF	J301	074-1138-60	10P	R211	033-1831-15	1/16W 18k ohm
C125	168-1042-78	0.1uF	L101	010-2285-57	BLM21B102SPT	R212	033-2721-15	1/16W 2.7k ohm
C126	168-1042-78	0.1uF	L102	010-2285-57	BLM21B102SPT	R213	033-1011-15	1/16W 100 ohm
C129	178-1052-78	1uF	L103	010-2285-57	BLM21B102SPT	R214	033-1021-15	1/16W 1k ohm
C201	163-3363-05	4V33uF	L104	010-2285-57	BLM21B102SPT	R215	033-1031-15	1/16W 10k ohm
C202	168-1042-78	0.1uF	L105	010-2285-57	BLM21B102SPT	R217	033-1041-15	1/16W 100k ohm
C203	178-1052-78	1uF	L401	010-3050-93	10uH	R218	033-2211-15	1/16W 220 ohm
C204	163-1073-05	4V100uF	Q201	131-1188-50	2SB1188	R301	117-6811-15	1/16W 680 ohm
C205	163-3363-05	4V33uF	R102	033-5621-15	1/16W 5.6k ohm	R304	033-3921-15	1/16W 3.9k ohm
C206	168-1042-78	0.1uF	R104	033-4731-15	1/16W 47k ohm	R305	033-3921-15	1/16W 3.9k ohm
C207	043-0533-50	0.047uF	R105	033-1041-15	1/16W 100k ohm	R306	033-1041-15	1/16W 100k ohm
C208	046-6822-58	6800pF	R108	033-1531-15	1/16W 15k ohm	R307	033-2211-15	1/16W 220 ohm
C209	168-1042-78	0.1uF	R109	033-1031-15	1/16W 10k ohm	X102	060-1528-90	16.934M
C210	043-0533-50	0.047uF	R110	033-1051-15	1/16W 1M ohm			

LED PWB section(B4):CD mechanism

REF No.	PART No.	DESCRIPTION	REF No.	PART No.	DESCRIPTION	REF No.	PART No.	DESCRIPTION
D1	001-7058-90	AN1105W-RR	Q1	060-4015-90	PS1192H	S2	013-7413-50	LIMIT
D2	001-7058-90	AN1105W-RR	Q2	060-4015-90	PS1192H			
J1	074-1138-60	10P	S1	013-7414-50	CHUCKING			