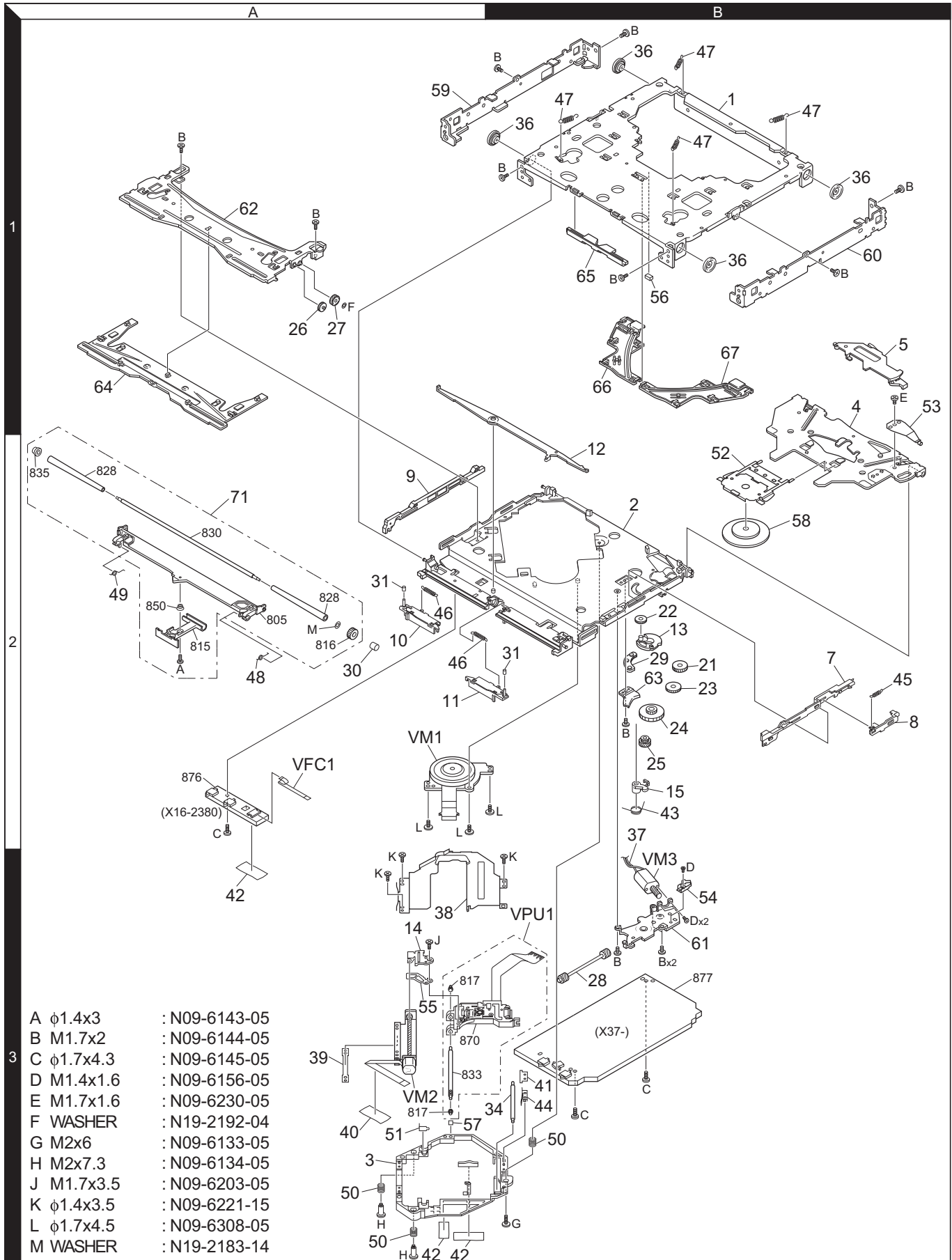


# KVT-617DVD/647DVD

## EXPLODED VIEW (DVD MECHANISM)



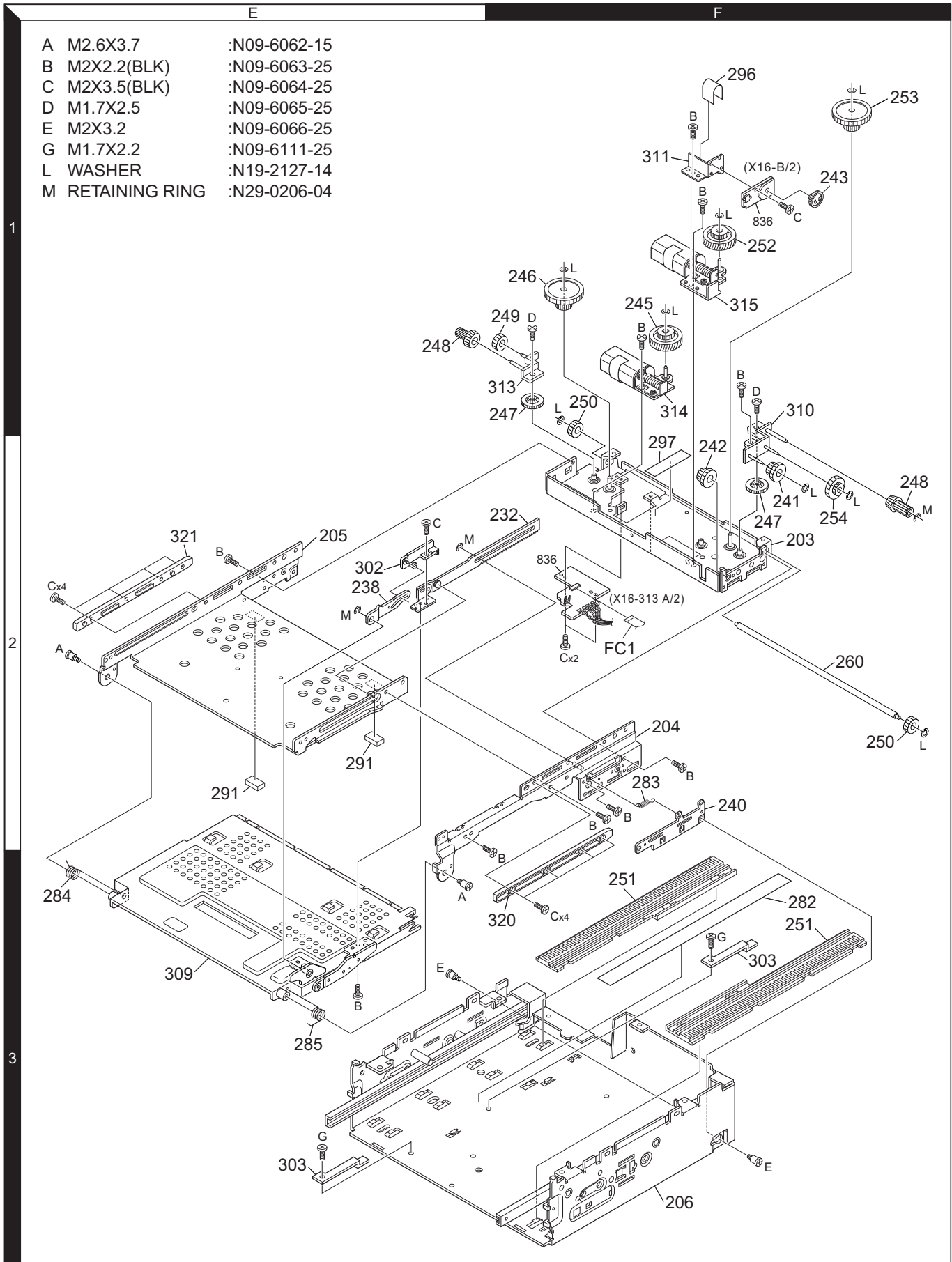
A	φ1.4x3	:	N09-6143-05
B	M1.7x2	:	N09-6144-05
C	φ1.7x4.3	:	N09-6145-05
D	M1.4x1.6	:	N09-6156-05
E	M1.7x1.6	:	N09-6230-05
F	WASHER	:	N19-2192-04
G	M2x6	:	N09-6133-05
H	M2x7.3	:	N09-6134-05
J	M1.7x3.5	:	N09-6203-05
K	φ1.4x3.5	:	N09-6221-15
L	φ1.7x4.5	:	N09-6308-05
M	WASHER	:	N19-2183-14



# KVT-617DVD/647DVD

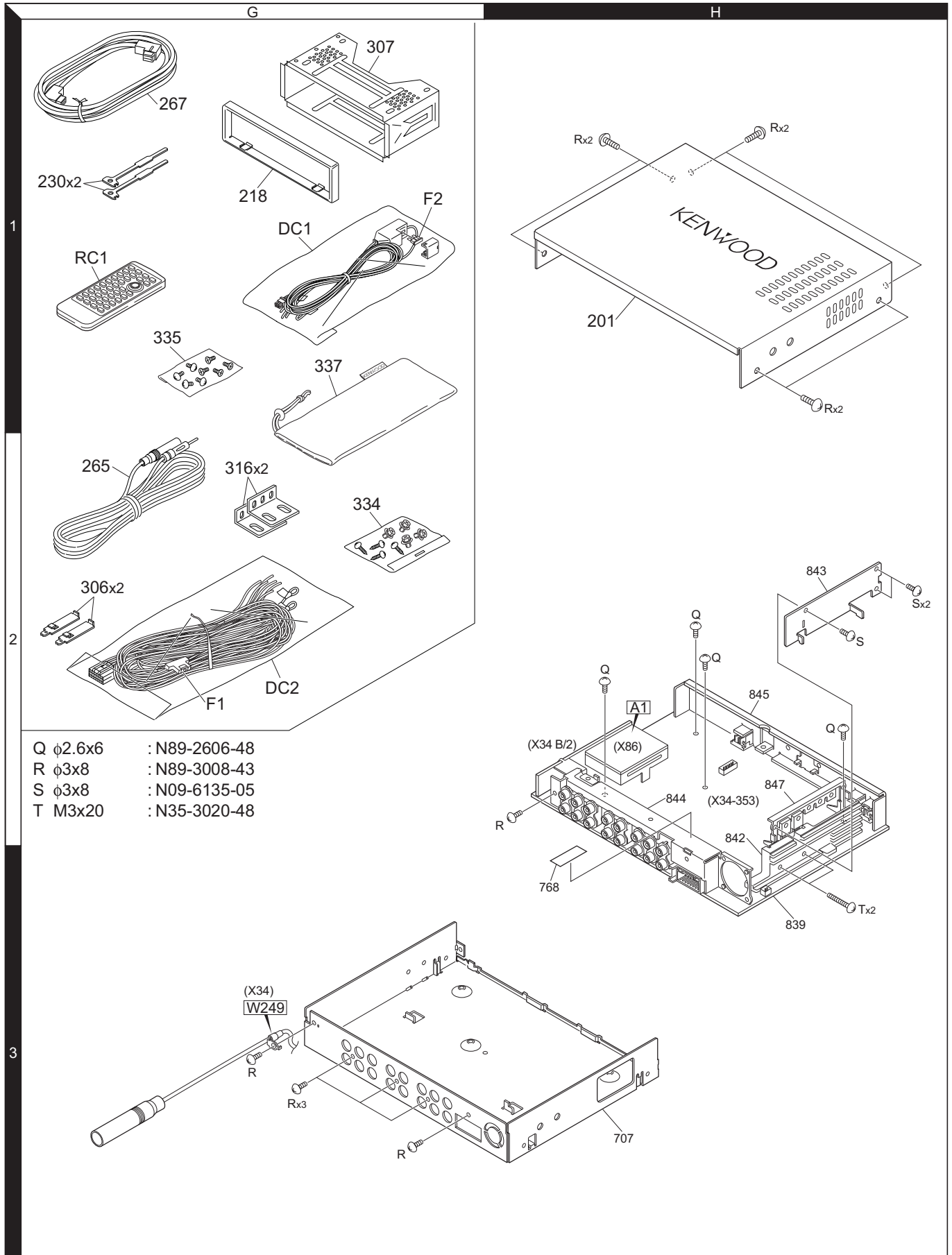
## EXPLODED VIEW (PANEL DRIVE MECHANISM)

A	M2.6X3.7	:N09-6062-15
B	M2X2.2(BLK)	:N09-6063-25
C	M2X3.5(BLK)	:N09-6064-25
D	M1.7X2.5	:N09-6065-25
E	M2X3.2	:N09-6066-25
G	M1.7X2.2	:N09-6111-25
L	WASHER	:N19-2127-14
M	RETAINING RING	:N29-0206-04



# KVT-617DVD/647DVD

## EXPLODED VIEW (HIDEAWAY UNIT / ACCESSORIES)



Parts with the exploded numbers larger than 700 are not supplied.

# KVT-617DVD/647DVD

## PARTS LIST

\* New parts

Parts without **Parts No.** are not supplied.

Les articles non mentionnés dans le **Parts No.** ne sont pas fournis.

Teile ohne **Parts No.** werden nicht geliefert.

Ref. No.	A d d	N e w	Parts No.	Description	Desti- nation
<b>KVT-617DVD/647DVD</b>					
201	1H		A01-2865-11	METALLIC CABINET	K
201	1H		A01-2869-11	METALLIC CABINET	R1
203	2F		A10-5013-23	CHASSIS CALKING ASSY	
204	2F		A10-5015-33	CHASSIS CALKING ASSY	
205	2E		A10-5018-32	CHASSIS	
206	3F		A10-5137-02	CHASSIS CALKING ASSY	
208	3C	*	A11-1645-14	SUB CHASSIS CALKING ASSY	
209	1C		A21-4499-02	DRESSING PANEL	
210	1D		A21-4502-03	DRESSING PANEL	
211	3C		A22-3068-03	SUB PANEL ASSY	
214	1D		A46-1776-02	REAR COVER	
215	3C		A46-1820-01	REAR COVER	
PA1	1C	*	A64-3973-01	PANEL	K
PA1	1C	*	A64-3974-01	PANEL	R1
PA2	3C	*	A64-3975-02	PANEL ASSY	
PME1	1D		A10-5207-21	CHASSIS ASSY	
RC1	1G		A70-2077-05	REMOTE CONTROLLE.ASSY (RC-DV430)	
-			B46-0100-50	WARRANTY CARD	△
-			B46-0606-04	ID CARD	△
-		*	B54-4502-00	INSTALLATION MANUAL (E.F.S.P.)	
-			B58-1297-04	CAUTION CARD	
-		*	B64-3466-00	INSTRUCTION MANUAL (ENG.)	
-		*	B64-3467-00	INSTRUCTION MANUAL (FRE.)	K
-		*	B64-3468-00	INSTRUCTION MANUAL (SPA.)	
-		*	B64-3469-00	INSTRUCTION MANUAL (POR.)	R1
218	1G		B07-3082-02	ESCUTCHEON	
223	1C		B09-0538-04	CAP	
225	2C		B10-4688-04	FRONT GLASS	
226	3C		B10-4692-03	FRONT GLASS	
227	3C		B19-2330-04	LIGHTING BOARD	
229	1C		B43-1524-04	BADGE	
LCD1	2C	*	B38-1176-05	LCD (7 INCH)	
230	1G		D10-4674-04	LEVER	
232	2F		D10-4703-23	ARM ASSY	
234	3C		D10-4727-03	ARM	
235	3C		D10-4728-04	ARM	
236	3C		D10-4729-04	LEVER	
238	2E		D10-4733-23	ARM	
240	2F		D10-4761-24	LEVER ASSY	
241	2F		D13-2251-14	GEAR	
242	2F		D13-2252-14	GEAR	
243	1F		D13-2253-14	GEAR	
245	1F		D13-2256-14	GEAR	
246	1F		D13-2257-14	GEAR	
247	1F		D13-2258-24	GEAR	
248	1E		D13-2259-24	GEAR	
249	1F		D13-2260-14	GEAR	
250	1F		D13-2261-14	GEAR	
251	3F		D13-2262-23	RACK (GEAR)	
252	1F		D13-2263-14	GEAR	
253	1F		D13-2264-14	GEAR	
254	2F		D13-2265-14	GEAR	

Ref. No.	A d d	N e w	Parts No.	Description	Desti- nation
256	3C		D13-2280-04	GEAR	
257	3F		D13-2317-13	RACK (GEAR)	
260	2F		D21-2416-23	SHAFT	
261	3C		D39-0239-05	DAMPER	
262	3C	*	E29-1924-14	LEAD PLATE	
265	2G		E30-6483-05	CORD WITH PLUG	
266	2D		E30-6484-05	CORD WITH PLUG	
267	1G		E30-6485-05	CORD WITH PLUG	
DC1	1G		E30-6475-15	DC CORD (8PIN)	
DC2	2G		E30-6481-15	DC CORD (16PIN)	
FC1	2F		E39-0537-15	FLAT CABLE	
FC2	3C		E39-0771-05	FLAT CABLE	
FC3	3D		E39-0769-15	FLAT CABLE	
270	2C		F09-1802-04	SHEET	
271	2D		F09-1847-04	SHEET	
278	2C		F12-0775-04	SHIELDING SHEET	
280	3C		F19-1456-03	BLIND PLATE	
281	2C		F20-2235-14	INSULATING SHEET	
282	3F		F20-2240-14	INSULATING SHEET	
F1	2G		F52-0023-05	FUSE (MINI BLADE TYPE) 10A	
F2	1G		F52-0004-05	FUSE (MINI BLADE TYPE) 5A	
283	2F		G01-3152-14	EXTENSION SPRING	
284	3E		G01-3153-14	TORSION COIL SPRING	
285	3E		G01-3161-14	TORSION COIL SPRING	
287	3C		G01-3265-04	TORSION COIL SPRING	
288	3C		G01-3266-04	COMPRESSION SPRING	
289	3C		G01-3267-04	TORSION COIL SPRING	
291	2E		G11-3512-14	CUSHION	
294	3C		G11-3663-04	CUSHION	
296	1F		G16-1452-14	SHEET	
297	2F		G16-1453-14	SHEET	
-			H02-0837-23	INNER CARTON CASE	
-			H11-1550-04	POLYSTYRENE FOAMED BOARD	
-			H12-2747-13	PACKING FIXTURE	
-		*	H12-2799-14	PACKING FIXTURE	
-			H12-2800-04	PACKING FIXTURE	
-			H25-0338-04	PROTECTION BAG (250X350X0.03)	
-			H25-1111-04	PROTECTION BAG (280X450X0.03)	
-			H25-1132-04	PROTECTION BAG (0.3X280X450)	
-		*	H54-3829-03	ITEM CARTON CASE	K
-		*	H54-3830-03	ITEM CARTON CASE	R1
302	2E		J19-5207-23	HOLDER	
303	3E		J19-5235-14	HOLDER	
306	2G		J21-9784-04	MOUNTING HARDWARE	
307	1G		J21-9823-03	MOUNTING HARDWARE ASSY	
309	3E		J21-9916-32	MOUNTING HARDWARE ASSY	
310	1F		J21-9947-14	MOUNTING HARDWARE ASSY	
311	1F		J21-9949-14	MOUNTING HARDWARE	
313	1F		J21-9984-14	MOUNTING HARDWARE ASSY	
314	1F	*	J21-9986-33	MOUNTING HARDWARE ASSY	
315	1F	*	J21-9987-33	MOUNTING HARDWARE ASSY	
316	1G		J22-0054-14	MOUNTING HARDWARE	
320	3F		J90-1053-13	GUIDE	
321	2E		J90-1064-13	GUIDE	

K : KVT-617DVD (North America) R1 : KVT-647DVD (Latin America)

△ Indicates safety critical components.

## PARTS LIST

### KVT-617DVD/647DVD

Ref. No.	Add	New	Parts No.	Description	Destination	Ref. No.	Add	New	Parts No.	Description	Destination
FPC1	2D	*	J86-0028-05	FPC (LEAD FREE) (50P)		C130-133			C93-1367-05	CHIP C 10UF K	
FPC2	2D	*	J86-0029-05	FPC (LEAD FREE) (10P)		C134			CC73GCH1H101J	CHIP C 100PF J	
FPC3	2D		J84-0158-15	FLEXIBLE PRINTED WIRING BO (80P)		C135			CC73GCH1H391J	CHIP C 390PF J	
325	1C		K24-4344-04	PUSH KNOB (OPEN)		C136			C93-1367-05	CHIP C 10UF K	
326	3C		K24-4346-04	PUSH KNOB (RELEASE)		C137			CK73GB1H104K	CHIP C 0.10UF K	
327	3C		K24-4348-03	PUSH KNOB (SORCE)		C138,139			CK73GB1C104K	CHIP C 0.10UF K	
328	3C		K24-4349-03	PUSH KNOB (VOL)		C140			CK73GB1H102K	CHIP C 1000PF K	
329	2C		K25-1715-03	PUSH KNOB (MONITOR)		C141			C93-1367-05	CHIP C 10UF K	
330	3C		K25-1718-03	PUSH KNOB (ATT/AUTO)		C142			CK73GB1C104K	CHIP C 0.10UF K	
331	3C		K25-1720-03	PUSH KNOB (EJECT/RESET)		C143,144			CE32AU1A560M	CHIP EL 0.10UF AU	
332	3C		K29-7170-04	KEY TOP (4WAY)		C145			CE32AU0J121M	CHIP EL 0J100UF AU	
333	3C		K29-7171-13	KNOB BASE (4WAY)		C146			CE32AU1A560M	CHIP EL 0J100UF AU	
334	2G		N99-1753-05	SCREW SET		C147			CK73GB1H102K	CHIP C 1000PF K	
335	1G		N99-1775-05	SCREW SET		C148,149			CK73GB1C104K	CHIP C 0.10UF K	
A	2E		N09-6062-15	STEPPED SCREW		C151			CK73GB1C104K	CHIP C 0.10UF K	
B	3E		N09-6063-25	MACHINE SCREW (M2X2.2)		C152			CE32AU1A560M	CHIP EL 0.10UF AU	
C	3F		N09-6064-25	MACHINE SCREW (M2X3.5)		C153-155			CK73GB1C104K	CHIP C 0.10UF K	
D	1F		N09-6065-25	MACHINE SCREW (M1.7X2.5)		C156			CK73GB1A474K	CHIP C 0.47UF K	
E	3F		N09-6066-25	STEPPED SCREW		C158			CK73GB1C104K	CHIP C 0.10UF K	
F	3C		N09-6167-05	MACHINE SCREW (M2.6X5)		C159,160			C92-1909-05	ELECTRO 22UF 12.5WV	
G	3F		N09-6111-25	MACHINE SCREW		C161			C92-1685-05	ELECTRO 47UF 6.3WV	
H	3C		N09-6236-05	SEMS (TAPTITE SCREW) (2X5)		C162			CK73GB1H102K	CHIP C 1000PF K	
J	2D		N09-6232-05	MACHINE SCREW (M2.0X3)		C163			CK73GB1A474K	CHIP C 0.47UF K	
K	3C		N19-2022-04	FLAT WASHER		C164			CK73GB1H102K	CHIP C 1000PF K	
L	2F		N19-2127-14	FLAT WASHER		C165			CK73GB1A474K	CHIP C 0.47UF K	
M	2F		N29-0206-04	RETAINING RING (2)		C166			CK73GB1H102K	CHIP C 1000PF K	
N	1D		N80-2006-43	PAN HEAD TAPTITE SCREW		C167			CK73GB1H104K	CHIP C 0.10UF K	
Q	3D		N89-2606-48	BINDING HEAD TAPTITE SCREW		C168			CK73GB1C104K	CHIP C 0.10UF K	
R	1H		N89-3008-43	BINDING HEAD TAPTITE SCREW		C169			CK73GB1H102K	CHIP C 1000PF K	
						C170			CK73GB1C104K	CHIP C 0.10UF K	
336	2C		S79-0845-05	SWITCH ASSY		C171			CK73GB1H102K	CHIP C 1000PF K	
337	1G		W01-1661-05	CARRYING CASE		C172,173			CK73GB1C104K	CHIP C 0.10UF K	
VME1	2D	*	X92-5420-00	DVD MECHANISM ASSY (DVS-7100V)		C174			CK73GB1H102K	CHIP C 1000PF K	
						C175			CK73GB1H104K	CHIP C 0.10UF K	
						C180,181			CK73FB1C105K	CHIP C 1.0UF K	
<b>VIDEO CONTROL UNIT (X14-9570-12/3-23)</b>						C200,201			CK73GB1H103K	CHIP C 0.010UF K	
C31,32			CC73GCH1H471J	CHIP C 470PF J		C202			CC73GCH1H180J	CHIP C 18PF J	
C48,49			CC73GCH1H471J	CHIP C 470PF J		C203			CC73GCH1H220J	CHIP C 22PF J	
C100			CK73GB1H103K	CHIP C 0.010UF K		C204			CK73GB1A105K	CHIP C 1.0UF K	
C101			C90-5670-05	ELECTRO 2200UF 16WV		C205			CK73FB0J106K	CHIP C 10UF K	
C102			CK73GB1H103K	CHIP C 0.010UF K		C206-209			CK73GB1C104K	CHIP C 0.10UF K	
C103-105			CC73GCH1H151J	CHIP C 150PF J		C210			CK73GB1H103K	CHIP C 0.010UF K	
C108			CK73GB1A105K	CHIP C 1.0UF K		C211,212			CK73GB1C104K	CHIP C 0.10UF K	
C109-111			CK73GB1C104K	CHIP C 0.10UF K		C213-216			CK73GB1H103K	CHIP C 0.010UF K	
C113			CK73GB1C104K	CHIP C 0.10UF K		C217			CK73GB1C104K	CHIP C 0.10UF K	
C114			CK73EB1H474K	CHIP C 0.47UF K		C218,219			CK73GB1H103K	CHIP C 0.010UF K	
C115,116			CK73GB1C104K	CHIP C 0.10UF K		C220-222			CK73GB1C104K	CHIP C 0.10UF K	
C117			CK73GB1H104K	CHIP C 0.10UF K		C301			CK73FB0J106K	CHIP C 10UF K	
C118			CE32BM1C221M	CHIP EL 1C200UF BM		C304			CK73FB0J106K	CHIP C 10UF K	
C119			CK73GB1C104K	CHIP C 0.10UF K		C306			CC73GCH1H470J	CHIP C 47PF J	
C120,121			CK73GB1H104K	CHIP C 0.10UF K		C307			CK73GB1C104K	CHIP C 0.10UF K	
C122			CK73FB1C105K	CHIP C 1.0UF K		C310			CC73GCH1H220J	CHIP C 22PF J	
C123-126			CK73GB1C104K	CHIP C 0.10UF K		C312,313			CK73GB1C104K	CHIP C 0.10UF K	
C127			CK73EB1C106K	CHIP C 10UF K		C316			CK73GB1C104K	CHIP C 0.10UF K	
C128			CK73FB0J106K	CHIP C 10UF K		C317			CC73GCH1H180J	CHIP C 18PF J	

K : KVT-617DVD (North America) R1 : KVT-647DVD (Latin America)

△ Indicates safety critical components.

# KVT-617DVD/647DVD

## PARTS LIST

### VIDEO CONTROL UNIT (X14-9570-12/3-23)

Ref. No.	A d d	N e w	Parts No.	Description	Desti- nation
C319,320			CK73GB0J225K	CHIP C 2.2UF K	
C321-323			CK73GB1A105K	CHIP C 1.0UF K	
C324			CK73GB1H223K	CHIP C 0.022UF K	
C325			CK73GB0J475K	CHIP C 4.7UF K	
C326			CK73GB1H473K	CHIP C 0.047UF K	
C334			CK73GB1C104K	CHIP C 0.10UF K	
C337			CK73GB1A474K	CHIP C 0.47UF K	
C338			CK73FB0J106K	CHIP C 10UF K	
C339			CK73GB1H472K	CHIP C 4700PF K	
C340			CK73GB1A105K	CHIP C 1.0UF K	
C341			CK73FB0J106K	CHIP C 10UF K	
C342,343			CK73GB1A105K	CHIP C 1.0UF K	
C344			CK73GB1H223K	CHIP C 0.022UF K	
C345-350			CK73GB1A105K	CHIP C 1.0UF K	
C351			CK73FB1A225K	CHIP C 2.2UF K	
C352			CK73GB1A105K	CHIP C 1.0UF K	
C353			CK73GB1H103K	CHIP C 0.010UF K	
C354,355			CK73FB1A225K	CHIP C 2.2UF K	
C361			C92-1685-05	ELECTRO 47UF 6.3WV	
C362			CK73GB1C104K	CHIP C 0.10UF K	
C363			CK73FB0J106K	CHIP C 10UF K	
C364			CC73GCH1H331J	CHIP C 330PF J	
C365			CK73GB1A105K	CHIP C 1.0UF K	
C366,367			CK73GB1C104K	CHIP C 0.10UF K	
C368			CK73GB1A105K	CHIP C 1.0UF K	
C369			CK73GB1C104K	CHIP C 0.10UF K	
C370			CK73GB1H103K	CHIP C 0.010UF K	
C371			CK73GB0J475K	CHIP C 4.7UF K	
C372			CK73GB1H153K	CHIP C 0.015UF K	
C373			CC73GCH1H151J	CHIP C 150PF J	
C374			CC73GCH1E102J	CHIP C 1000PF J	
C375			CC73GCH1H390J	CHIP C 39PF J	
C376			CC73GCH1H150J	CHIP C 15PF J	
C377			C93-1394-05	CHIP C 5PF J	
C390			CK73GB1A105K	CHIP C 1.0UF K	
C402			CK73FB0J106K	CHIP C 10UF K	
C403			CK73GB1C104K	CHIP C 0.10UF K	
C404			CK73GB1A105K	CHIP C 1.0UF K	
C405-409			CK73GB1C104K	CHIP C 0.10UF K	
C410			CK73FB0J106K	CHIP C 10UF K	
C411			CK73GB1C104K	CHIP C 0.10UF K	
C412			CK73GB1A105K	CHIP C 1.0UF K	
C413-416			CK73GB1C104K	CHIP C 0.10UF K	
C419-423			CK73GB1C104K	CHIP C 0.10UF K	
C424,425			CK73GB1H103K	CHIP C 0.010UF K	
C426			CC73GCH1H100D	CHIP C 10PF D	
C429,430			CC73GCH1H020C	CHIP C 2.0PF C	
C501			CK73GB1C104K	CHIP C 0.10UF K	
C502			C92-1452-05	ELECTRO 100UF 10WV	
C520			CK73FB0J106K	CHIP C 10UF K	
C540			CK73GB1A105K	CHIP C 1.0UF K	
C541,542			CC73GCH1H100D	CHIP C 10PF D	
C560			CK73FB0J106K	CHIP C 10UF K	
C561-567			CK73GB1C104K	CHIP C 0.10UF K	
C581			CK73GB1C104K	CHIP C 0.10UF K	

Ref. No.	A d d	N e w	Parts No.	Description	Desti- nation
C601-606			CK73GB1C104K	CHIP C 0.10UF K	
C607			CK73GB1A105K	CHIP C 1.0UF K	
C608-615			CK73GB1C104K	CHIP C 0.10UF K	
C616			CK73FB0J106K	CHIP C 10UF K	
C617			CK73GB1A105K	CHIP C 1.0UF K	
C618-628			CK73GB1C104K	CHIP C 0.10UF K	
C650			CK73GB1C104K	CHIP C 0.10UF K	
C651,652			CK73GB1A105K	CHIP C 1.0UF K	
C654-656			CK73GB1A105K	CHIP C 1.0UF K	
C657,658			CK73GB1C104K	CHIP C 0.10UF K	
C659			C92-1452-05	ELECTRO 100UF 10WV	
C660			CK73FB0J106K	CHIP C 10UF K	
C661,662			CK73GB1C104K	CHIP C 0.10UF K	
C663			CK73FB0J106K	CHIP C 10UF K	
C664			C92-1685-05	ELECTRO 47UF 6.3WV	
C665-668			CK73GB1C104K	CHIP C 0.10UF K	
C669			CK73FB0J106K	CHIP C 10UF K	
C670			CK73GB1C104K	CHIP C 0.10UF K	
C671,672			CK73GB1A105K	CHIP C 1.0UF K	
C673,674			CK73GB1C104K	CHIP C 0.10UF K	
C675			CK73GB1A105K	CHIP C 1.0UF K	
C701			CK73GB1H332K	CHIP C 3300PF K	
C702,703			CC73GCH1H681J	CHIP C 680PF J	
C704			CK73GB1C104K	CHIP C 0.10UF K	
C705			CK73EB1C106K	CHIP C 10UF K	
C706			CK73EB1A475K	CHIP C 4.7UF K	
C707			CC73GCH1H101J	CHIP C 100PF J	
C708			CK73GB1H332K	CHIP C 3300PF K	
C709,710			CC73GCH1H681J	CHIP C 680PF J	
C711			CK73EB1A475K	CHIP C 4.7UF K	
C712			CC73GCH1H101J	CHIP C 100PF J	
C713			CK73EB1C106K	CHIP C 10UF K	
C714,715			CK73GB1C104K	CHIP C 0.10UF K	
C717			CK73FB0J106K	CHIP C 10UF K	
C718			CK73GB1C104K	CHIP C 0.10UF K	
C752			CK73GB1C104K	CHIP C 0.10UF K	
C770,771			CK73GB1C104K	CHIP C 0.10UF K	
C772			CK73FB0J106K	CHIP C 10UF K	
C773-775			CK73GB1C104K	CHIP C 0.10UF K	
C800			CC73GCH1H101J	CHIP C 100PF J	
C804			CK73GB1C104K	CHIP C 0.10UF K	
C850,851			CK73GB1C104K	CHIP C 0.10UF K	
C900,901			CC73GCH1H101J	CHIP C 100PF J	
C902			CK73GB1A105K	CHIP C 1.0UF K	
C903,904			CC73GCH1H101J	CHIP C 100PF J	
C906			CC73GCH1H101J	CHIP C 100PF J	
C918			CK73FB0J106K	CHIP C 10UF K	
C926,927			CK73GB1C104K	CHIP C 0.10UF K	
CN501			E41-2197-05	FLAT CABLE CONNECTOR	
CN850			E41-2526-05	FLAT CABLE CONNECTOR	
CN900			E41-2523-05	FLAT CABLE CONNECTOR	
CN904			E41-2529-05	PIN ASSY	
J100		*	E58-0899-15	RECTANGULAR RECEPTACLE	
J960			E56-0873-05	CYLINDRICAL RECEPTACLE	

K : KVT-617DVD (North America) R1 : KVT-647DVD (Latin America)

△ Indicates safety critical components.

## PARTS LIST

### VIDEO CONTROL UNIT (X14-9570-12/3-23)

Ref. No.	Add	New	Parts No.	Description	Destination	Ref. No.	Add	New	Parts No.	Description	Destination
CF100-105			L72-0780-05	CERAMIC FILTER		R107			RK73GB2A103J	CHIP R 10K J 1/10W	
L8			L19-0733-15	TRANSFORMER FOR CONVERTER		R109			RK73GB2A103J	CHIP R 10K J 1/10W	
L100			L92-0373-05	CHIP FERRITE		R110			RK73GH2A334D	CHIP R 330K D 1/10W	
L101,102			L33-1914-05	CHOKE COIL		R111			RK73GB2A562J	CHIP R 5.6K J 1/10W	
L103			L33-2277-05	CHOKE COIL		R112			RK73GH2A334D	CHIP R 330K D 1/10W	
L104,105			L33-2248-05	CHOKE COIL		R113			RK73GB2A224J	CHIP R 220K J 1/10W	
L106,107			L41-1005-33	SMALL FIXED INDUCTOR (10U)		R114			RN73GH1J113D	CHIP R 11K D 1/16W	
L108			L79-0958-05	LINE FILTER		R115			R92-5088-05	CHIP R 3.3K J 3/4W	
L109-111			L92-0373-05	CHIP FERRITE		R116			RK73GB2A912J	CHIP R 9.1K J 1/10W	
L200			L92-0319-05	CHIP FERRITE		R117			RK73GB2A153J	CHIP R 15K J 1/10W	
L300			L41-4705-33	SMALL FIXED INDUCTOR		R118			RK73FB2B123J	CHIP R 12K J 1/8W	
L301			L41-1005-33	SMALL FIXED INDUCTOR (10U)		R119			RN73GH1J104D	CHIP R 100K D 1/16W	
L350			L41-1005-33	SMALL FIXED INDUCTOR (10U)		R120			RN73GH1J683D	CHIP R 68K D 1/16W	
L400			L41-1005-33	SMALL FIXED INDUCTOR (10U)		R121			RK73GB2A473J	CHIP R 47K J 1/10W	
L402			L41-1005-33	SMALL FIXED INDUCTOR (10U)		R122-124			RK73GB2A104J	CHIP R 100K J 1/10W	
L520			L92-0373-05	CHIP FERRITE		R125-127			RK73GB2A224J	CHIP R 220K J 1/10W	
L540			L41-1005-33	SMALL FIXED INDUCTOR (10U)		R128			RK73EB2E102J	CHIP R 1.0K J 1/4W	
L560			L92-0373-05	CHIP FERRITE		R129			RK73GB2A473J	CHIP R 47K J 1/10W	
L601			L92-0373-05	CHIP FERRITE		R137			RK73GB2A473J	CHIP R 47K J 1/10W	
L603			L92-0373-05	CHIP FERRITE		R140			RK73GB2A101J	CHIP R 100 J 1/10W	
L650			L41-1005-33	SMALL FIXED INDUCTOR (10U)		R143			RK73GB2A100J	CHIP R 10 J 1/10W	
L651			L92-0373-05	CHIP FERRITE		R146,147			RK73GB2A100J	CHIP R 10 J 1/10W	
L701,702			L41-1005-33	SMALL FIXED INDUCTOR (10U)		R148			RN73GH1J133D	CHIP R 13K D 1/16W	
L802			L92-0373-05	CHIP FERRITE		R149			RN73GH1J103D	CHIP R 10K D 1/16W	
L900-902			L92-0373-05	CHIP FERRITE		R150			RN73GH1J132D	CHIP R 1.3K D 1/16W	
X200			L78-1210-05	RESONATOR (4.95MHZ)		R151			RN73GH1J473D	CHIP R 47K D 1/16W	
X201			L77-2917-05	CRYSTAL RESONATOR (32.768KHZ)		R152			RN73GH1J153D	CHIP R 15K D 1/16W	
X300			L77-2806-05	CRYSTAL RESONATOR (3.579545MHZ)		R153			RN73GH1J163D	CHIP R 16K D 1/16W	
X360			L78-0549-05	RESONATOR (15.734KHZ)		R154			RN73GH1J302D	CHIP R 3.0K D 1/16W	
X540			L77-2866-05	CRYSTAL RESONATOR (27MHZ)		R155			RN73GH1J132D	CHIP R 1.3K D 1/16W	
CP400-407			RK74HB1J330J	CHIP-COM 33 J 1/16W		R156			RN73GH1J683D	CHIP R 68K D 1/16W	
CP501-505			RK74HB1J471J	CHIP-COM 470 J 1/16W		R157			RN73GH1J393D	CHIP R 39K D 1/16W	
CP506-510			RK74HB1J103J	CHIP-COM 10K J 1/16W		R158			RN73GH1J4021D	CHIP R 4.02K D 1/16W	
CP601-604			RK74HB1J472J	CHIP-COM 4.7K J 1/16W		R159			RN73GH1J103D	CHIP R 10K D 1/16W	
CP605			RK74HB1J470J	CHIP-COM 47 J 1/16W		R160			RN73GH1J512D	CHIP R 5.1K D 1/16W	
CP606-612			RK74HB1J101J	CHIP-COM 100 J 1/16W		R161			R92-3475-05	CHIP R 0.27 F 1/2W	
CP613,614			RK74HB1J330J	CHIP-COM 33 J 1/16W		R162			RK73GB2A104J	CHIP R 100K J 1/10W	
CP615-618			RK74HB1J472J	CHIP-COM 4.7K J 1/16W		R163			RN73GH1J243D	CHIP R 24K D 1/16W	
CP619-625			RK74HB1J220J	CHIP-COM 22 J 1/16W		R164			RK73GB2A102J	CHIP R 1.0K J 1/10W	
R11-14			RK73GB2A220J	CHIP R 22 J 1/10W		R165			RK73GB2A473J	CHIP R 47K J 1/10W	
R15,16			RK73GB2A101J	CHIP R 100 J 1/10W		R167			RK73GB2A224J	CHIP R 220K J 1/10W	
R39,40			RK73GB2A101J	CHIP R 100 J 1/10W		R168			RK73GB2A102J	CHIP R 1.0K J 1/10W	
R44			RK73GB2A103J	CHIP R 10K J 1/10W		R169			RK73GB2A223J	CHIP R 22K J 1/10W	
R51,52			RK73GB2A101J	CHIP R 100 J 1/10W		R170			RK73GB2A103J	CHIP R 10K J 1/10W	
R96			RK73GB2A222J	CHIP R 2.2K J 1/10W		R171			RK73GB2A563J	CHIP R 56K J 1/10W	
R97			RK73GB2A473J	CHIP R 47K J 1/10W		R172			RK73GB2A102J	CHIP R 1.0K J 1/10W	
R98			RN73GH1J243D	CHIP R 24K D 1/16W		R174			RN73GH1J114D	CHIP R 110K D 1/16W	
R99			RN73GH1J472D	CHIP R 4.7K D 1/16W		R176			RN73GH1J114D	CHIP R 110K D 1/16W	
R100			RN73GH1J104D	CHIP R 100K D 1/16W		R178			RN73GH1J114D	CHIP R 110K D 1/16W	
R101			RN73GH1J513D	CHIP R 51K D 1/16W		R179			RN73GH1J133D	CHIP R 13K D 1/16W	
R102			RN73GH1J393D	CHIP R 39K D 1/16W		R180			RK73GB2A392J	CHIP R 3.9K J 1/10W	
R103			RK73GB2A122J	CHIP R 1.2K J 1/10W		R181			RK73GB2A222J	CHIP R 2.2K J 1/10W	
R104			RN73GH1J393D	CHIP R 39K D 1/16W		R182			RK73GB2A153J	CHIP R 15K J 1/10W	
R105			RN73GH1J333D	CHIP R 33K D 1/16W		R183			RK73GB2A104J	CHIP R 100K J 1/10W	
R106			RN73GH1J393D	CHIP R 39K D 1/16W		R184			RK73GB2A303J	CHIP R 30K J 1/10W	

K : KVT-617DVD (North America) R1 : KVT-647DVD (Latin America)

△ Indicates safety critical components.

# KVT-617DVD/647DVD

## PARTS LIST

### VIDEO CONTROL UNIT (X14-9570-12/3-23)

Ref. No.	A d d	N e w	Parts No.	Description	Desti- nation
R185			RK73EB2E472J	CHIP R 4.7K J 1/4W	
R186			RK73GB2A104J	CHIP R 100K J 1/10W	
R187			RK73EB2E223J	CHIP R 22K J 1/4W	
R188			RK73GB2A104J	CHIP R 100K J 1/10W	
R189			RN73GH1J243D	CHIP R 24K D 1/16W	
R190			RN73GH1J133D	CHIP R 13K D 1/16W	
R191			RK73GB2A104J	CHIP R 100K J 1/10W	
R192,193			RK73GB2A100J	CHIP R 10 J 1/10W	
R195			RK73EB2E331J	CHIP R 330 J 1/4W	
R196			RN73GH1J243D	CHIP R 24K D 1/16W	
R197			RN73GH1J133D	CHIP R 13K D 1/16W	
R198			RK73GB2A104J	CHIP R 100K J 1/10W	
R199			RK73EB2E331J	CHIP R 330 J 1/4W	
R201			RK73GB2A103J	CHIP R 10K J 1/10W	K
R201,202			RK73GB2A103J	CHIP R 10K J 1/10W	R1
R203			RK73GB2A103J	CHIP R 10K J 1/10W	K
R204			RK73GB2A103J	CHIP R 10K J 1/10W	R1
R205,206			RK73GB2A103J	CHIP R 10K J 1/10W	K
R206			RK73GB2A103J	CHIP R 10K J 1/10W	R1
R211,212			RK73GB2A103J	CHIP R 10K J 1/10W	
R217,218			RK73GB2A473J	CHIP R 47K J 1/10W	
R219			RK73GB2A333J	CHIP R 33K J 1/10W	
R220-224			RK73GB2A473J	CHIP R 47K J 1/10W	
R225			RK73GB2A104J	CHIP R 100K J 1/10W	
R226			RK73GB2A103J	CHIP R 10K J 1/10W	
R227			RK73GB2A104J	CHIP R 100K J 1/10W	
R229			RK73GB2A471J	CHIP R 470 J 1/10W	
R230,231			RK73GB2A101J	CHIP R 100 J 1/10W	
R232			RK73GB2A102J	CHIP R 1.0K J 1/10W	
R233			RK73GB2A104J	CHIP R 100K J 1/10W	
R234,235			RK73GB2A101J	CHIP R 100 J 1/10W	
R236			RK73GB2A514J	CHIP R 510K J 1/10W	
R237-241			RK73GB2A102J	CHIP R 1.0K J 1/10W	
R242			RK73GB2A473J	CHIP R 47K J 1/10W	
R244			RK73GB2A473J	CHIP R 47K J 1/10W	
R245			RK73GB2A123J	CHIP R 12K J 1/10W	
R246			RK73GB2A102J	CHIP R 1.0K J 1/10W	
R247			RK73GB2A473J	CHIP R 47K J 1/10W	
R248,249			RK73GB2A123J	CHIP R 12K J 1/10W	
R250-253			RK73GB2A104J	CHIP R 100K J 1/10W	
R254			RK73GB2A123J	CHIP R 12K J 1/10W	
R255			RK73GB2A222J	CHIP R 2.2K J 1/10W	
R256			RN73GH1J163D	CHIP R 16K D 1/16W	
R257			RN73GH1J102D	CHIP R 1.0K D 1/16W	
R258			RN73GH1J333D	CHIP R 33K D 1/16W	
R259			RK73GB2A153J	CHIP R 15K J 1/10W	
R260			RN73GH1J163D	CHIP R 16K D 1/16W	
R261			RN73GH1J102D	CHIP R 1.0K D 1/16W	
R262			RN73GH1J333D	CHIP R 33K D 1/16W	
R263			RK73GB2A100J	CHIP R 10 J 1/10W	
R264			RK73GB2A104J	CHIP R 100K J 1/10W	
R265			RK73GB2A100J	CHIP R 10 J 1/10W	
R266			RK73GB2A104J	CHIP R 100K J 1/10W	
R267			RK73GB2A912J	CHIP R 9.1K J 1/10W	
R268			RK73GB2A112J	CHIP R 1.1K J 1/10W	

Ref. No.	A d d	N e w	Parts No.	Description	Desti- nation
R269			RK73GB2A105J	CHIP R 1.0M J 1/10W	
R270			RN73GH1J473D	CHIP R 47K D 1/16W	
R271			RN73GH1J392D	CHIP R 3.9K D 1/16W	
R272			RK73GB2A151J	CHIP R 150 J 1/10W	
R273,274			RK73GB2A105J	CHIP R 1.0M J 1/10W	
R275			RK73GB2A104J	CHIP R 100K J 1/10W	
R276			RK73GB2A203J	CHIP R 20K J 1/10W	
R279,280			RK73GB2A101J	CHIP R 100 J 1/10W	
R281			RK73GB2A104J	CHIP R 100K J 1/10W	
R300			RK73GB2A471J	CHIP R 470 J 1/10W	
R302			RK73GB2A152J	CHIP R 1.5K J 1/10W	
R303			RK73GB2A752J	CHIP R 7.5K J 1/10W	
R304,305			RK73GB2A101J	CHIP R 100 J 1/10W	
R306			RK73GB2A103J	CHIP R 10K J 1/10W	
R307			RK73GB2A682J	CHIP R 6.8K J 1/10W	
R308			RK73GB2A105J	CHIP R 1.0M J 1/10W	
R309-312			RK73GB2A101J	CHIP R 100 J 1/10W	
R313			RK73GB2A473J	CHIP R 47K J 1/10W	
R314			RK73GB2A101J	CHIP R 100 J 1/10W	
R316			RK73GB2A101J	CHIP R 100 J 1/10W	
R318			RK73GB2A101J	CHIP R 100 J 1/10W	
R320			RK73GB2A101J	CHIP R 100 J 1/10W	
R321			RK73GB2A102J	CHIP R 1.0K J 1/10W	
R360,361			RK73GB2A303J	CHIP R 30K J 1/10W	
R362			RK73GB2A472J	CHIP R 4.7K J 1/10W	
R363			RK73GB2A202J	CHIP R 2.0K J 1/10W	
R364			RK73GB2A361J	CHIP R 360 J 1/10W	
R365			RK73GB2A914J	CHIP R 910K J 1/10W	
R366,367			RK73GB2A471J	CHIP R 470 J 1/10W	
R368			RK73GB2A102J	CHIP R 1.0K J 1/10W	
R369			RK73GB2A470J	CHIP R 47 J 1/10W	
R370			RK73GB2A302J	CHIP R 3.0K J 1/10W	
R371			RN73GH1J182D	CHIP R 1.8K D 1/16W	
R372			RN73GH1J471D	CHIP R 470 D 1/16W	
R374			RK73GB2A471J	CHIP R 470 J 1/10W	
R375			RK73GB2A101J	CHIP R 100 J 1/10W	
R377			RK73GB2A103J	CHIP R 10K J 1/10W	
R380-383			RK73GB2A101J	CHIP R 100 J 1/10W	
R385			RK73GB2A471J	CHIP R 470 J 1/10W	
R386			RK73GB2A102J	CHIP R 1.0K J 1/10W	
R387			RN73GH1J473D	CHIP R 47K D 1/16W	
R388			RK73GB2A471J	CHIP R 470 J 1/10W	
R389			RK73GB2A272J	CHIP R 2.7K J 1/10W	
R391			RN73GH1J203D	CHIP R 20K D 1/16W	
R392			RK73GB2A332J	CHIP R 3.3K J 1/10W	
R393			RK73GB2A104J	CHIP R 100K J 1/10W	
R394			RN73GH1J303D	CHIP R 30K D 1/16W	
R400			RK73GB2A103J	CHIP R 10K J 1/10W	
R401			RK73GB2A680J	CHIP R 68 J 1/10W	
R402			RK73GB2A152J	CHIP R 1.5K J 1/10W	
R403			RK73GB2A101J	CHIP R 100 J 1/10W	
R404			RK73GB2A472J	CHIP R 4.7K J 1/10W	
R405			RK73GB2A272J	CHIP R 2.7K J 1/10W	
R406			RK73GB2A101J	CHIP R 100 J 1/10W	
R407			RK73GB2A272J	CHIP R 2.7K J 1/10W	

K : KVT-617DVD (North America) R1 : KVT-647DVD (Latin America)

△ Indicates safety critical components.

## PARTS LIST

### VIDEO CONTROL UNIT (X14-9570-12/3-23)

Ref. No.	Add	New	Parts No.	Description	Destination	Ref. No.	Add	New	Parts No.	Description	Destination
R408			RK73GB2A101J	CHIP R 100 J 1/10W		R701,702			RK73GB2A472J	CHIP R 4.7K J 1/10W	
R409			RK73GB2A272J	CHIP R 2.7K J 1/10W		R703			RK73GB2A302J	CHIP R 3.0K J 1/10W	
R410,411			RK73GB2A104J	CHIP R 100K J 1/10W		R704,705			RK73GB2A201J	CHIP R 200 J 1/10W	
R412			RK73GB2A102J	CHIP R 1.0K J 1/10W		R706			RK73GB2A302J	CHIP R 3.0K J 1/10W	
R413			RK73GB2A472J	CHIP R 4.7K J 1/10W		R707			RK73GB2A471J	CHIP R 470 J 1/10W	
R415-417			RK73GB2A201J	CHIP R 200 J 1/10W		R708			RK73GB2A182J	CHIP R 1.8K J 1/10W	
R419			RK73GB2A101J	CHIP R 100 J 1/10W		R709			RK73GB2A100J	CHIP R 10 J 1/10W	
R420,421			RK73GB2A153J	CHIP R 15K J 1/10W		R710,711			RK73GB2A472J	CHIP R 4.7K J 1/10W	
R422,423			RK73GB2A561J	CHIP R 560 J 1/10W		R712			RK73GB2A302J	CHIP R 3.0K J 1/10W	
R424			RK73GB2A102J	CHIP R 1.0K J 1/10W		R713,714			RK73GB2A201J	CHIP R 200 J 1/10W	
R427			RK73GB2A470J	CHIP R 47 J 1/10W		R715			RK73GB2A302J	CHIP R 3.0K J 1/10W	
R500			RK73GB2A302J	CHIP R 3.0K J 1/10W		R716			RK73GB2A471J	CHIP R 470 J 1/10W	
R501			RK73GB2A330J	CHIP R 33 J 1/10W		R717			RK73GB2A182J	CHIP R 1.8K J 1/10W	
R502			RK73GB2A103J	CHIP R 10K J 1/10W		R718			RK73GB2A100J	CHIP R 10 J 1/10W	
R503			RK73GB2A820J	CHIP R 82 J 1/10W		R719			RK73GB2A682J	CHIP R 6.8K J 1/10W	
R504,505			RK73GB2A220J	CHIP R 22 J 1/10W		R720			RK73GB2A222J	CHIP R 2.2K J 1/10W	
R506,507			RK73GB2A820J	CHIP R 82 J 1/10W		R721			RK73GB2A392J	CHIP R 3.9K J 1/10W	
R508			RK73GB2A471J	CHIP R 470 J 1/10W		R722			RK73GB2A102J	CHIP R 1.0K J 1/10W	
R509			RK73GB2A102J	CHIP R 1.0K J 1/10W		R723,724			RK73GB2A223J	CHIP R 22K J 1/10W	
R520			RK73GB2A472J	CHIP R 4.7K J 1/10W		R725			RK73GB2A103J	CHIP R 10K J 1/10W	
R522-528			RK73GB2A103J	CHIP R 10K J 1/10W		R751			RK73GB2A151J	CHIP R 150 J 1/10W	
R529			RK73GB2A472J	CHIP R 4.7K J 1/10W		R770			RK73GB2A103J	CHIP R 10K J 1/10W	
R540,541			RK73GB2A330J	CHIP R 33 J 1/10W		R771			RK73GB2A222J	CHIP R 2.2K J 1/10W	
R542			RK73GB2A105J	CHIP R 1.0M J 1/10W		R772-774			RK73GB2A472J	CHIP R 4.7K J 1/10W	
R544			RK73GB2A102J	CHIP R 1.0K J 1/10W		R776			RK73GB2A472J	CHIP R 4.7K J 1/10W	
R560			RK73GB2A101J	CHIP R 100 J 1/10W		R777			RK73GB2A102J	CHIP R 1.0K J 1/10W	
R601-603			RK73GB2A472J	CHIP R 4.7K J 1/10W		R802,803			RK73EB2E102J	CHIP R 1.0K J 1/4W	
R604			RK73GB2A470J	CHIP R 47 J 1/10W		R805-810			RK73EB2E101J	CHIP R 100 J 1/4W	
R605-610			RK73GB2A101J	CHIP R 100 J 1/10W		R811-814			RK73GB2A750J	CHIP R 75 J 1/10W	
R611			RK73GB2A102J	CHIP R 1.0K J 1/10W		R850-866			RK73GB2A101J	CHIP R 100 J 1/10W	
R612,613			RK73GB2A101J	CHIP R 100 J 1/10W		R867			RK73GB2A102J	CHIP R 1.0K J 1/10W	
R614			RK73GB2A330J	CHIP R 33 J 1/10W		R900-902			RK73EB2E102J	CHIP R 1.0K J 1/4W	
R615-617			RK73GB2A472J	CHIP R 4.7K J 1/10W		R904,905			RK73EB2E100J	CHIP R 10 J 1/4W	
R618,619			RK73GB2A220J	CHIP R 22 J 1/10W		R906-911			RK73EB2E101J	CHIP R 100 J 1/4W	
R620-622			RK73GB2A472J	CHIP R 4.7K J 1/10W		R913			RK73EB2E101J	CHIP R 100 J 1/4W	
R625-627			RK73GB2A472J	CHIP R 4.7K J 1/10W		R924			RK73GB2A103J	CHIP R 10K J 1/10W	
R629			RK73GB2A101J	CHIP R 100 J 1/10W		R925			RN73GH1J123D	CHIP R 12K D 1/16W	
R651-654			RK73GB2A102J	CHIP R 1.0K J 1/10W		R926			RN73GH1J152D	CHIP R 1.5K D 1/16W	
R655			RK73EB2E750J	CHIP R 75 J 1/4W		R927			RN73GH1J243D	CHIP R 24K D 1/16W	
R656			RK73GB2A511J	CHIP R 510 J 1/10W		R961			RK73EB2E151J	CHIP R 150 J 1/4W	
R657			RK73GB2A152J	CHIP R 1.5K J 1/10W		R962			RK73EB2E150J	CHIP R 15 J 1/4W	
R658,659			RK73GB2A102J	CHIP R 1.0K J 1/10W		VR361			R32-0327-05	SEMI FIXED VARIABLE RESISTOR	
R660			RK73GB2A103J	CHIP R 10K J 1/10W		W100,101			R92-1252-05	CHIP R 0 OHM J 1/16W	
R661,662			RK73GB2A472J	CHIP R 4.7K J 1/10W		W103			R92-1252-05	CHIP R 0 OHM J 1/16W	
R663,664			RK73GB2A101J	CHIP R 100 J 1/10W		W111-117			R92-1252-05	CHIP R 0 OHM J 1/16W	
R665-668			RN73GH1J750D	CHIP R 75 D 1/16W		W121,122			R92-1252-05	CHIP R 0 OHM J 1/16W	
R669			RN73GH1J151D	CHIP R 150 D 1/16W		W183			R92-1252-05	CHIP R 0 OHM J 1/16W	
R670			RK73GB2A103J	CHIP R 10K J 1/10W		W201-203			R92-1252-05	CHIP R 0 OHM J 1/16W	
R671,672			RK73GB2A104J	CHIP R 100K J 1/10W		W205			R92-1252-05	CHIP R 0 OHM J 1/16W	
R673			RN73GH1J151D	CHIP R 150 D 1/16W		W301			R92-1252-05	CHIP R 0 OHM J 1/16W	
R675			RK73GB2A103J	CHIP R 10K J 1/10W		W304			R92-1252-05	CHIP R 0 OHM J 1/16W	
R676			RK73GB2A101J	CHIP R 100 J 1/10W		W311-313			R92-1252-05	CHIP R 0 OHM J 1/16W	
R678			RK73GB2A472J	CHIP R 4.7K J 1/10W		W360			R92-1252-05	CHIP R 0 OHM J 1/16W	
R682			RK73GB2A472J	CHIP R 4.7K J 1/10W		W365			R92-1252-05	CHIP R 0 OHM J 1/16W	
R683-687			RK73GB2A102J	CHIP R 1.0K J 1/10W		W401			R92-1252-05	CHIP R 0 OHM J 1/16W	

K : KVT-617DVD (North America) R1 : KVT-647DVD (Latin America)

△ Indicates safety critical components.

# KVT-617DVD/647DVD

## PARTS LIST

### VIDEO CONTROL UNIT (X14-9570-12/3-23)

Ref. No.	A d d	N e w	Parts No.	Description	Desti- nation
W403			R92-1252-05	CHIP R 0 OHM J 1/16W	
W405			R92-1252-05	CHIP R 0 OHM J 1/16W	
W408-415			R92-1252-05	CHIP R 0 OHM J 1/16W	
W501			R92-1252-05	CHIP R 0 OHM J 1/16W	
W522			R92-1252-05	CHIP R 0 OHM J 1/16W	
W581			R92-1252-05	CHIP R 0 OHM J 1/16W	
W601			R92-1252-05	CHIP R 0 OHM J 1/16W	
W604			R92-1252-05	CHIP R 0 OHM J 1/16W	
W606-609			R92-1252-05	CHIP R 0 OHM J 1/16W	
W650			R92-1252-05	CHIP R 0 OHM J 1/16W	
W652			R92-1252-05	CHIP R 0 OHM J 1/16W	
W654			R92-1252-05	CHIP R 0 OHM J 1/16W	
W658			R92-1252-05	CHIP R 0 OHM J 1/16W	
W660			R92-1252-05	CHIP R 0 OHM J 1/16W	
W662,663			R92-1252-05	CHIP R 0 OHM J 1/16W	
W701			R92-1252-05	CHIP R 0 OHM J 1/16W	
W750			R92-1252-05	CHIP R 0 OHM J 1/16W	
W770			R92-1252-05	CHIP R 0 OHM J 1/16W	
W772-776			R92-1252-05	CHIP R 0 OHM J 1/16W	
W850			R92-1252-05	CHIP R 0 OHM J 1/16W	
W852			R92-1252-05	CHIP R 0 OHM J 1/16W	
W854			R92-1252-05	CHIP R 0 OHM J 1/16W	
W856			RK73FB2B000J	CHIP R 0.0 J 1/8W	
W859-864			R92-1252-05	CHIP R 0 OHM J 1/16W	
W869,870			R92-1252-05	CHIP R 0 OHM J 1/16W	
W872			R92-1252-05	CHIP R 0 OHM J 1/16W	
W874			R92-1252-05	CHIP R 0 OHM J 1/16W	
W881,882			RK73EB2E000J	CHIP R 0.0 J 1/4W	
W884-886			RK73EB2E000J	CHIP R 0.0 J 1/4W	
W887,888			R92-1252-05	CHIP R 0 OHM J 1/16W	
W889			RK73EB2E000J	CHIP R 0.0 J 1/4W	
W893			R92-1252-05	CHIP R 0 OHM J 1/16W	
W900			R92-1252-05	CHIP R 0 OHM J 1/16W	
W918			R92-1252-05	CHIP R 0 OHM J 1/16W	
D100			1SR154-400	DIODE	
D104			DAN202U	DIODE	
D105			UDZS6.8B	ZENER DIODE	
D106			DAN202U	DIODE	
D107			UDZS6.2B	ZENER DIODE	
D108-111			EC31QS04AG	DIODE	
D113			EC31QS04AG	DIODE	
D114,115			SB05-05CP-E	DIODE	
D116			MA2S784-F	DIODE	
D180,181			DAN202U	DIODE	
D300			DAN202U	DIODE	
D301-303			STZ6.2N	ZENER DIODE	
D501,502			DA204U	DIODE	
D650			STZ6.2N	ZENER DIODE	
D701			DAP202U	DIODE	
D702			DA204U	DIODE	
D704,705			STZ6.2N	ZENER DIODE	
D800			AVRM1608120M6A	VARISTOR	
D801-807			AVRM1608270MAB	VARISTOR	
D850-856			AVRM1608120M6A	VARISTOR	

Ref. No.	A d d	N e w	Parts No.	Description	Desti- nation
D859			AVRM1608120M6A	VARISTOR	
D862			DA204U	DIODE	
D900,901			DA204U	DIODE	
D902			STZ6.2N	ZENER DIODE	
D903			DA204U	DIODE	
D905			STZ6.2N	ZENER DIODE	
D906			DA204U	DIODE	
D907			UDZS6.2B	ZENER DIODE	
D908			DA204U	DIODE	
D909			AVRM1608120M6A	VARISTOR	
D910			STZ6.2N	ZENER DIODE	
D911			DA204U	DIODE	
D912,913			STZ6.2N	ZENER DIODE	
D914			UDZS6.2B	ZENER DIODE	
D916-922			AVRM1608180M6A	VARISTOR	
D923			AVRM1608270MAB	VARISTOR	
D925,926			AVRM1608270MAB	VARISTOR	
D927-929			AVRM1608180M6A	VARISTOR	
D931,932			AVRM1608180M6A	VARISTOR	
D960			DA204U	DIODE	
D961			AVRM1608270MAA	VARISTOR	
IC100-102			FA7707E-H1	ANALOGUE IC	
IC103			TA58L05F	ANALOGUE IC	
IC104			PQ1X331M2ZPH	ANALOGUE IC	
IC108			SI-3012KM	ANALOGUE IC	
IC200			BR24L08FV-W	ROM IC	
IC201			BR24L02FV-W	ROM IC	
IC202,203			LB1836M-TLM-E	ANALOGUE IC	
IC204		*	703265YGJ502A	MICROCONTROLLER IC	
IC205			TC7SH08FU-F	MOS-IC	
IC206			S-80830CNNB-G	MOS-IC	
IC207			TC74VHCT08AFT	MOS-IC	
IC303			AN2546FH-AV	ANALOGUE IC	
IC304			MM1389XFBE-E	ANALOGUE IC	
IC306			TC7SH04FU-F	MOS-IC	
IC361			TC7W00FU-F	MOS-IC	
IC362			NJW1303V-ZB	ANALOGUE IC	
IC363,364			TC7W34FU-F	MOS-IC	
IC365			TC7WH123FU-F	MOS-IC	
IC366			TC7SH04FU-F	MOS-IC	
IC400			LC74735NW9817E	MOS-IC	
IC401			MB29LV8T9T0U1	ROM IC	
IC402			TC74LCX74FT	MOS-IC	
IC403			TC7S02FU-F	MOS-IC	
IC404			TC7SH04FU-F	MOS-IC	
IC405			TC7W08FU-F	MOS-IC	
IC406			TC7W32FU-F	MOS-IC	
IC500			PQ070XH02ZPH	ANALOGUE IC	
IC520		*	M29LV160T78U0	ROM IC	
IC540,541			TC7SHU04FU-F	MOS-IC	
IC560			K4S281632FUP75	DRAM IC	
IC601			ES6218SAF-K	MOS-IC	
IC650			MM1567AJBE-E	ANALOGUE IC	
IC651			UPC2905ATAZ	ANALOGUE IC	
IC652			ADV7170KSUZ	MOS-IC	

K : KVT-617DVD (North America) R1 : KVT-647DVD (Latin America)

△ Indicates safety critical components.

## PARTS LIST

### VIDEO CONTROL UNIT (X14-9570-12/3-23)

Ref. No.	Add	New	Parts No.	Description	Destination
IC654			MM1508XNRE-E	ANALOGUE IC	
IC701			NJM4580V-ZB	ANALOGUE IC	
IC702			TA78L05F-F	ANALOGUE IC	
IC703			AK4382AVT	ANALOGUE IC	
IC750			TC7SET04FU-F	MOS-IC	
IC770			M43212VNI8R01	MOS-IC	
IC850			TC7SH00FU-F	MOS-IC	
Q100			DTC144EUA	DIGITAL TRANSISTOR	
Q101			2SC4081	TRANSISTOR	
Q102			DTC144EUA	DIGITAL TRANSISTOR	
Q103			2SA1576A	TRANSISTOR	
Q104			2SC4081	TRANSISTOR	
Q105			2SA1576A	TRANSISTOR	
Q106			HAT1038R-E	FET	
Q107			2SC4081	TRANSISTOR	
Q108			DTA124EUA	DIGITAL TRANSISTOR	
Q109-111			HAT1024R-E	FET	
Q112			DTC144EUA	DIGITAL TRANSISTOR	
Q117			DTC144EUA	DIGITAL TRANSISTOR	
Q120			2SA1576A	TRANSISTOR	
Q121			DTC144EUA	DIGITAL TRANSISTOR	
Q122			2SA1576A	TRANSISTOR	
Q123-125			2SC4081	TRANSISTOR	
Q126			DTA114TUA	DIGITAL TRANSISTOR	
Q127			DTA114EUA	DIGITAL TRANSISTOR	
Q128			DTA144EUA	DIGITAL TRANSISTOR	
Q129			IMX9	TRANSISTOR	
Q170			DTC144EUA	DIGITAL TRANSISTOR	
Q172			DTC144EUA	DIGITAL TRANSISTOR	
Q175			DTC144EUA	DIGITAL TRANSISTOR	
Q180,181			2SC4081	TRANSISTOR	
Q182			2SA1576A	TRANSISTOR	
Q183			DTC124EUA	DIGITAL TRANSISTOR	
Q184			DTC143EUA	DIGITAL TRANSISTOR	
Q200			DTC144EUA	DIGITAL TRANSISTOR	
Q201			DTB123YK	DIGITAL TRANSISTOR	
Q202			DTC144EUA	DIGITAL TRANSISTOR	
Q203			DTB123YK	DIGITAL TRANSISTOR	
Q204			DTC144EUA	DIGITAL TRANSISTOR	
Q205			DTB123YK	DIGITAL TRANSISTOR	
Q206			DTA144EUA	DIGITAL TRANSISTOR	
Q207			DTC144EUA	DIGITAL TRANSISTOR	
Q208			2SA1576A	TRANSISTOR	
Q209			2SC4081	TRANSISTOR	
Q210			2SA1576A	TRANSISTOR	
Q211			2SC4081	TRANSISTOR	
Q212			2SA1576A	TRANSISTOR	
Q213			2SC4081	TRANSISTOR	
Q214			DTA114TUA	DIGITAL TRANSISTOR	
Q215			2SC4081	TRANSISTOR	
Q216			DTA114TUA	DIGITAL TRANSISTOR	
Q217			2SC4081	TRANSISTOR	
Q218			DTA114TUA	DIGITAL TRANSISTOR	
Q219			DTC114TUA	DIGITAL TRANSISTOR	
Q360			2SC4081	TRANSISTOR	

Ref. No.	Add	New	Parts No.	Description	Destination
Q361,362			2SA1576A	TRANSISTOR	
Q363			DTA114EUA	DIGITAL TRANSISTOR	
Q364			DTC144EUA	DIGITAL TRANSISTOR	
Q390			2SC4081	TRANSISTOR	
Q391			2SA1576A	TRANSISTOR	
Q400-402			2SA1576A	TRANSISTOR	
Q404,405			2SC4081	TRANSISTOR	
Q650			DTA114TUA	DIGITAL TRANSISTOR	
Q651,652			DTC144EUA	DIGITAL TRANSISTOR	
Q653			DTC114TUA	DIGITAL TRANSISTOR	
Q701-703			2SC4081	TRANSISTOR	
Q704			DTC114TUA	DIGITAL TRANSISTOR	
Q705,706			DTA114TUA	DIGITAL TRANSISTOR	
Q904			DTB123YK	DIGITAL TRANSISTOR	
Q905,906			DTC144EUA	DIGITAL TRANSISTOR	
<b>SWITCH UNIT (X16-2380-01): IN DVD MECHA.</b>					
CN1			E41-2623-05	FLAT CABLE CONNECTOR	
S1,2			S68-0827-05	PUSH SWITCH	
<b>SUB-CIRCUIT UNIT (X16-3032-71)</b>					
D101			B30-1658-05	LED (RED,S)	
D203			B30-1713-05	LED (SR,TS)	
D205			B30-1740-05	LED (CL-270PG-C-TSL)	
D207-209			B30-1564-05	LED (1608,BLUE)	
D221-225			B30-1605-05	LED (2COLOR PG/RED)	
C101			CK73GB1H104K	CHIP C 0.10UF K	
C203			CC73GCH1H221J	CHIP C 220PF J	
C204			CK73FB1A225K	CHIP C 2.2UF K	
C205			CK73GB1H104K	CHIP C 0.10UF K	
CN101			E41-2366-05	FLAT CABLE CONNECTOR	
J101			E58-1008-05	RECTANGULAR RECEPTACLE	
J201			E59-0843-05	RECTANGULAR PLUG	
R101,102			RK73EB2E101J	CHIP R 100 J 1/4W	
R103-105			RK73EB2E102J	CHIP R 1.0K J 1/4W	
R106			RK73GB2A101J	CHIP R 100 J 1/10W	
R107			RK73EB2E102J	CHIP R 1.0K J 1/4W	
R201			RK73GB2A152J	CHIP R 1.5K J 1/10W	
R202			RK73GB2A181J	CHIP R 180 J 1/10W	
R203			RK73GB2A101J	CHIP R 100 J 1/10W	
R204			RK73GB2A271J	CHIP R 270 J 1/10W	
R205			RK73GB2A272J	CHIP R 2.7K J 1/10W	
R206			RK73GB2A332J	CHIP R 3.3K J 1/10W	
R207			RK73GB2A181J	CHIP R 180 J 1/10W	
R208			RK73GB2A271J	CHIP R 270 J 1/10W	
R209			RK73GB2A472J	CHIP R 4.7K J 1/10W	
R214			RK73EB2E101J	CHIP R 100 J 1/4W	
R216			RK73GB2A104J	CHIP R 100K J 1/10W	
R217			RK73EB2E101J	CHIP R 100 J 1/4W	
R219			RK73GB2A391J	CHIP R 390 J 1/10W	
R221			RK73EB2E431J	CHIP R 430 J 1/4W	
R224			RK73GB2A822J	CHIP R 8.2K J 1/10W	
R225			RK73GB2A153J	CHIP R 15K J 1/10W	
R226			RK73GB2A473J	CHIP R 47K J 1/10W	
R234,235			RK73GB2A222J	CHIP R 2.2K J 1/10W	

K : KVT-617DVD (North America) R1 : KVT-647DVD (Latin America)

△ Indicates safety critical components.

# KVT-617DVD/647DVD

## PARTS LIST

### SUB-CIRCUIT UNIT (X16-3032-71)

Ref. No.	A d d	N e w	Parts No.	Description	Desti- nation
R236			RK73GB2A101J	CHIP R 100 J 1/10W	
R237			RK73FB2B431J	CHIP R 430 J 1/8W	
R238			RK73GB2A391J	CHIP R 390 J 1/10W	
R239,240			RK73GB2A101J	CHIP R 100 J 1/10W	
S201-206			S70-0901-05	TACT SWITCH	
S207			S70-0874-05	TACT SWITCH	
S208			S70-0901-05	TACT SWITCH	
D102			AVRM1608180M6A	VARISTOR	
D103-106			AVRM1005270MAA	VARISTOR	
D201			UDZS6.2B	ZENER DIODE	
D211-213			DA204U	DIODE	
D217			AVRM1608120M6A	VARISTOR	
D404-410			AVRM1608180M6A	VARISTOR	
D411			DAP202U	DIODE	
IC201			RS-181	ANALOGUE IC	
Q101			DTC124EUA	DIGITAL TRANSISTOR	
Q206			2SA1576A	TRANSISTOR	
<b>ELECTRIC CIRCUIT MODULE (X16-3130-00) (W02-3386-25)</b>					
CN1			E41-2300-05	FLAT CABLE (19PIN)	
R2			RK73GB2A273J	CHIP R 27K J 1/10W	
R1			RK73GB2A751J	CHIP R 750 J 1/10W	
VR1			R31-0237-05	SEMI FIXED VARIABLE RESISTOR	
S1			S68-0863-05	PUSH SWITCH	
S2,S3			S68-0871-05	PUSH SWITCH	
S4			S68-0863-05	PUSH SWITCH	
PH1			T95-0253-05	PHOTO INTERRUPTER	
<b>ELECTRIC UNIT (X34-3530-10/3-21)</b>					
C1			CK73EB1E225K	CHIP C 2.2UF K	
C5			C90-5612-05	ELECTRO 3900UF 16WV	
C6			CK73GB1H104K	CHIP C 0.10UF K	
C7			CK73FB1C105K	CHIP C 1.0UF K	
C8			CD04BA1H3R3M	ELECTRO 3.3UF 50WV	
C9,10			CK73GB1H103K	CHIP C 0.010UF K	
C51			CK73GB1H473K	CHIP C 0.047UF K	
C52			CD04AS1V100M	ELECTRO 10UF 35WV	
C55			CD04BJ1E221M	ELECTRO 220UF 25WV	
C56			CD04BJ1A101M	ELECTRO 100UF 10WV	
C58			CD04AS1C220M	ELECTRO 22UF 16WV	
C59			CD04BD1C101M	ELECTRO 100UF 16WV	
C60-62			CK73EB1E225K	CHIP C 2.2UF K	
C63			CD04BA1C220M	ELECTRO 22UF 16WV	
C64			CK73EB1E225K	CHIP C 2.2UF K	
C65			CK73FB1C105K	CHIP C 1.0UF K	
C67			CD04AY1A221M	ELECTRO 220UF 10WV	
C69			CK73FB1C105K	CHIP C 1.0UF K	
C70			CD04AY1A221M	ELECTRO 220UF 10WV	
C71			CK73GB1H223K	CHIP C 0.022UF K	
C72			CK73GB1H103K	CHIP C 0.010UF K	
C73,74			CD04BA1E4R7M	ELECTRO 4.7UF 25WV	
C101			CK73GB1A105K	CHIP C 1.0UF K	
C103			CK73GB1A105K	CHIP C 1.0UF K	
C104			CD04AS1C101M	ELECTRO 100UF 16WV	

Ref. No.	A d d	N e w	Parts No.	Description	Desti- nation
C108-112			C90-6742-05	NP-ELECT 4.7UF 16WV	
C113			CK73GB1H103K	CHIP C 0.010UF K	
C150			CD04AS1C470M	ELECTRO 47UF 16WV	
C151,152			CK73GB1H152K	CHIP C 1500PF K	
C153			CD04AS1V100M	ELECTRO 10UF 35WV	
C154,155			CK73FB1C105K	CHIP C 1.0UF K	
C162,163			CD04AS1V100M	ELECTRO 10UF 35WV	
C164			CK73GB1H103K	CHIP C 0.010UF K	
C165			CD04AS1V100M	ELECTRO 10UF 35WV	
C166			CK73GB1H104K	CHIP C 0.10UF K	
C167			CK73GB1H103K	CHIP C 0.010UF K	
C168			CD04AT1H010M	ELECTRO 1UF 50WV	
C169			CD04AS1H010M	ELECTRO 1UF 50WV	
C170			CD04AS1C470M	ELECTRO 47UF 16WV	
C171			CD04AS1H010M	ELECTRO 1UF 50WV	
C172			CK73GB1H102K	CHIP C 1000PF K	
C173			CD04AS1H4R7M	ELECTRO 4.7UF 50WV	
C174			CK73FB1E474K	CHIP C 0.47UF K	
C175			CK73GB1H102K	CHIP C 1000PF K	
C176			CK73FB1E474K	CHIP C 0.47UF K	
C177			CD04AS1C101M	ELECTRO 100UF 16WV	
C178,179			CD04AS1H3R3M	ELECTRO 3.3UF 50WV	
C180,181			CK73FB1A225K	CHIP C 2.2UF K	
C182-185			CC73GCH1H101J	CHIP C 100PF J	
C186			CK73FB1C105K	CHIP C 1.0UF K	
C187,188			CD04AS1H3R3M	ELECTRO 3.3UF 50WV	
C200			CD04AS1C220M	ELECTRO 22UF 16WV	
C201			CD04BJ1H100M	ELECTRO 10UF 50WV	
C202			CK73GB1H103K	CHIP C 0.010UF K	
C203,204			CD04BJ1H100M	ELECTRO 10UF 50WV	
C205			CK73GB1H102K	CHIP C 1000PF K	
C206			CD04BJ1H100M	ELECTRO 10UF 50WV	
C207			CK73GB1H103K	CHIP C 0.010UF K	
C208			CK73GB1H102K	CHIP C 1000PF K	
C209-213			CD04BJ1H100M	ELECTRO 10UF 50WV	
C214			CK73GB1H103K	CHIP C 0.010UF K	
C215,216			CK73GB1H102K	CHIP C 1000PF K	
C217-219			CD04BJ1H100M	ELECTRO 10UF 50WV	
C220			CK73GB1H103K	CHIP C 0.010UF K	
C221			CK73GB1H102K	CHIP C 1000PF K	
C222-224			CD04BJ1H100M	ELECTRO 10UF 50WV	
C225			CK73GB1H103K	CHIP C 0.010UF K	
C226			CK73GB1H102K	CHIP C 1000PF K	
C227-229			CD04BJ1H100M	ELECTRO 10UF 50WV	
C230			CK73GB1H103K	CHIP C 0.010UF K	
C231			CD04AS1C220M	ELECTRO 22UF 16WV	
C233			CD04AS1V100M	ELECTRO 10UF 35WV	
C234			CK73GB1H222K	CHIP C 2200PF K	
C235,236			CK73GB1H102K	CHIP C 1000PF K	
C237			CK73GB1H222K	CHIP C 2200PF K	
C238			CD04AS1V100M	ELECTRO 10UF 35WV	
C239			CD04AS0J101M	ELECTRO 100UF 6.3WV K	
C240			CD04AS1H4R7M	ELECTRO 4.7UF 50WV K	
C241			CD04AS1C220M	ELECTRO 22UF 16WV K	
C242			CK73GB1H103K	CHIP C 0.010UF K	K

K : KVT-617DVD (North America) R1 : KVT-647DVD (Latin America)

△ Indicates safety critical components.

## PARTS LIST

### ELECTRIC UNIT (X34-3530-10/3-21)

Ref. No.	Add	New	Parts No.	Description	Destination	Ref. No.	Add	New	Parts No.	Description	Destination
C243			CD04AS1H4R7M	ELECTRO 4.7UF 50WV	K	C462,463			CK73GB1H104K	CHIP C 0.10UF K	R1
C244			CD04AS0J101M	ELECTRO 100UF 6.3WV		C500			CK73GB1H103K	CHIP C 0.010UF K	
C245			CD04AS1H4R7M	ELECTRO 4.7UF 50WV		C501,502			CD04AS1H4R7M	ELECTRO 4.7UF 50WV	
C246			CD04AS1C220M	ELECTRO 22UF 16WV		C503			CD04AS0J101M	ELECTRO 100UF 6.3WV	
C247			CK73GB1H103K	CHIP C 0.010UF K		C504			CD04AS1C220M	ELECTRO 22UF 16WV	
C248			CD04AS1H4R7M	ELECTRO 4.7UF 50WV		C505			CD04AS1V100M	ELECTRO 10UF 35WV	
C251,252			CC73GCH1H100D	CHIP C 10PF D		C506,507			CK73GB1H104K	CHIP C 0.10UF K	
C255			CD04AS1V100M	ELECTRO 10UF 35WV		C508			CD04AS0J470M	ELECTRO 47UF 6.3WV	
C256			CC73GCH1H331J	CHIP C 330PF J		C509-511			CD04AS1H4R7M	ELECTRO 4.7UF 50WV	
C257			CD04AS1V100M	ELECTRO 10UF 35WV		C512			CD04AS0J470M	ELECTRO 47UF 6.3WV	
C258			CK73GB1H103K	CHIP C 0.010UF K		C513			CD04AS1H4R7M	ELECTRO 4.7UF 50WV	
C267-270			CK73GB1H103K	CHIP C 0.010UF K		C514			CD04AS0J470M	ELECTRO 47UF 6.3WV	
C274			CK73FB1A225K	CHIP C 2.2UF K		C515,516			CD04AS1H4R7M	ELECTRO 4.7UF 50WV	
C275,276			CD04AW1HR47M	ELECTRO 0.47UF 50WV		C520			CK73GB1H103K	CHIP C 0.010UF K	
C300			CK73GB1H103K	CHIP C 0.010UF K		C521			CD04AS1V100M	ELECTRO 10UF 35WV	
C301,302			CK73GB1H104K	CHIP C 0.10UF K		C522			CD04AS0J470M	ELECTRO 47UF 6.3WV	
C303			CK73GB1H103K	CHIP C 0.010UF K		C523,524			CK73GB1H103K	CHIP C 0.010UF K	
C304			CK73GB1A105K	CHIP C 1.0UF K		C803			CK73GB1H103K	CHIP C 0.010UF K	R1
C308			CD04BJ0J331M	ELECTRO 330UF 6.3WV		C803,804			CK73GB1H103K	CHIP C 0.010UF K	K
C309			CK73GB1H103K	CHIP C 0.010UF K		C860			CK73GB1H102K	CHIP C 1000PF K	
C310			CK73GB1H102K	CHIP C 1000PF K		CN1			E41-2550-05	PIN ASSY	
C401			CK73GB1A105K	CHIP C 1.0UF K		CN250,251			E41-2383-05	PIN ASSY	
C403			CD04BJ1A221M	ELECTRO 220UF 10WV		CN252,253			E40-9423-05	SOCKET FOR PIN ASSY	
C404			CK73GB1H104K	CHIP C 0.10UF K		J1			E58-0991-05	RECTANGULAR RECEPTACLE	
C406			CK73GB1A105K	CHIP C 1.0UF K		J200			E63-0932-05	PIN JACK	
C408			CD04BJ1A221M	ELECTRO 220UF 10WV		J201			E63-0917-05	PIN JACK	K
C409			CK73GB1H104K	CHIP C 0.10UF K		J201			E63-0919-05	PIN JACK	R1
C411			CK73GB1A105K	CHIP C 1.0UF K		J202			E63-0933-05	PIN JACK	
C413			CD04BJ1A221M	ELECTRO 220UF 10WV		J500			E56-0856-05	CYLINDRICAL RECEPTACLE	
C414			CK73GB1H104K	CHIP C 0.10UF K		J501			E58-0963-05	RECTANGULAR RECEPTACLE	
C415			CK73GB1H103K	CHIP C 0.010UF K		J502			E58-1034-05	RECTANGULAR RECEPTACLE	
C416			CK73GB1H561K	CHIP C 560PF K		J503			E56-0868-05	CYLINDRICAL RECEPTACLE	
C417			CK73GB1A105K	CHIP C 1.0UF K		W249			E30-6492-05	CORD WITH PLUG (ANT)	
C418			CK73GB1H561K	CHIP C 560PF K		L1			L33-1063-25	CHOKE COIL	
C419			CK73GB1H103K	CHIP C 0.010UF K		L50			L41-2205-33	SMALL FIXED INDUCTOR (22U)	
C420,421			CK73GB1H104K	CHIP C 0.10UF K		L150			L41-4795-33	SMALL FIXED INDUCTOR (4.7U)	
C422			CK73GB1H103K	CHIP C 0.010UF K		L250			L41-4795-33	SMALL FIXED INDUCTOR (4.7U)	
C423			CD04AS1C220M	ELECTRO 22UF 16WV		L252			L41-4795-33	SMALL FIXED INDUCTOR (4.7U)	
C424			CD04AS1V100M	ELECTRO 10UF 35WV		L254			L41-4795-33	SMALL FIXED INDUCTOR (4.7U)	
C425			CK73GB1A105K	CHIP C 1.0UF K	R1	L255			L33-1977-05	CHOKE COIL	
C425,426			CK73GB1A105K	CHIP C 1.0UF K	K	L300			L41-1005-33	SMALL FIXED INDUCTOR (10U)	
C428			CK73GB1H104K	CHIP C 0.10UF K		L400-402			L41-1005-33	SMALL FIXED INDUCTOR (10U)	
C429-431			CK73GB1A105K	CHIP C 1.0UF K		X250			L77-2002-05	CRYSTAL RESONATOR	
C432			CD04BJ0J331M	ELECTRO 330UF 6.3WV		X300			L78-0892-05	RESONATOR (19M)	
C433			CK73GB1H104K	CHIP C 0.10UF K		S	2H		N09-6135-05	TAPTITE SCREW (BT 3X8)	
C434-436			CK73GB0J225K	CHIP C 2.2UF K		T	2H		N35-3020-48	BINDING HEAD MACHINE SCREW	
C437			CD04BJ1C471M	ELECTRO 470UF 16WV		R1			RK73GB2A222J	CHIP R 2.2K J 1/10W	
C438			CK73GB1H104K	CHIP C 0.10UF K		R2			RK73GB2A332J	CHIP R 3.3K J 1/10W	
C442			CD04AS1V100M	ELECTRO 10UF 35WV		R3			RK73GB2A272J	CHIP R 2.7K J 1/10W	
C448,449			CK73GB1H103K	CHIP C 0.010UF K		R4			RK73GB2A123J	CHIP R 12K J 1/10W	
C450-452			CD04AY1H220M	ELECTRO 22UF 50WV		R5			RK73GB2A103J	CHIP R 10K J 1/10W	
C454,455			CK73GB1A105K	CHIP C 1.0UF K		R6			RK73EB2E102J	CHIP R 1.0K J 1/4W	
C457,458			CK73GB1A105K	CHIP C 1.0UF K	K	R7			RK73EB2E103J	CHIP R 10K J 1/4W	
C458			CK73GB1A105K	CHIP C 1.0UF K	R1						
C461-463			CK73GB1H104K	CHIP C 0.10UF K	K						

K : KVT-617DVD (North America) R1 : KVT-647DVD (Latin America)

△ Indicates safety critical components.

# KVT-617DVD/647DVD

## PARTS LIST

### ELECTRIC UNIT (X34-3530-10/3-21)

Ref. No.	A d d	N e w	Parts No.	Description	Desti- nation
R10,11			RK73PB2H102J	CHIP R 1.0K J 1/2W	
R12			RK73GB2A223J	CHIP R 22K J 1/10W	
R13,14			RK73FB2B472J	CHIP R 4.7K J 1/8W	
R15			RK73SB3A561J	CHIP R 560 J 1W	
R16,17			RK73GB2A223J	CHIP R 22K J 1/10W	
R18			RK73GB2A103J	CHIP R 10K J 1/10W	
R19			RK73GB2A104J	CHIP R 100K J 1/10W	
R20			RK73GB2A183J	CHIP R 18K J 1/10W	
R21			RK73FB2B561J	CHIP R 560 J 1/8W	
R22			RK73GB2A473J	CHIP R 47K J 1/10W	
R24			RK73GB2A683J	CHIP R 68K J 1/10W	
R25			RK73GB2A393J	CHIP R 39K J 1/10W	
R26			RK73GB2A104J	CHIP R 100K J 1/10W	
R27			RK73EB2E101J	CHIP R 100 J 1/4W	
R28			RK73GB2A104J	CHIP R 100K J 1/10W	
R29			RK73GB2A103J	CHIP R 10K J 1/10W	
R30			RK73GB2A474J	CHIP R 470K J 1/10W	
R50			RK73FB2B182J	CHIP R 1.8K J 1/8W	
R51			RK73GB2A104J	CHIP R 100K J 1/10W	
R53			RK73GB2A101J	CHIP R 100 J 1/10W	
R55			RK73FB2B203J	CHIP R 20K J 1/8W	
R56			RK73FB2B221J	CHIP R 220 J 1/8W	
R58			RK73FB2B221J	CHIP R 220 J 1/8W	
R59			RK73FB2B272J	CHIP R 2.7K J 1/8W	
R60			RK73GB2A223J	CHIP R 22K J 1/10W	
R61			RK73GB2A153J	CHIP R 15K J 1/10W	
R63			RK73GH2A243D	CHIP R 24K D 1/10W	
R64			RK73GH2A432D	CHIP R 4.3K D 1/10W	
R67			RK73GB2A272J	CHIP R 2.7K J 1/10W	
R68			RK73GB2A153J	CHIP R 15K J 1/10W	
R69			RK73GB2A470J	CHIP R 47 J 1/10W	
R70			RK73GH2A153D	CHIP R 15K D 1/10W	
R71			RK73GH2A512D	CHIP R 5.1K D 1/10W	
R72			RK73GB2A752J	CHIP R 7.5K J 1/10W	
R73			RK73GB2A274J	CHIP R 270K J 1/10W	
R74			RK73GB2A563J	CHIP R 56K J 1/10W	
R75			RK73GB2A470J	CHIP R 47 J 1/10W	
R76			RK73GB2A103J	CHIP R 10K J 1/10W	
R77,78			RK73GB2A913J	CHIP R 91K J 1/10W	
R79			RK73GB2A750J	CHIP R 75 J 1/10W	
R80			RK73GB2A101J	CHIP R 100 J 1/10W	
R100			RK73GB2A103J	CHIP R 10K J 1/10W	
R101			RK73GB2A432J	CHIP R 4.3K J 1/10W	
R102			RK73GB2A103J	CHIP R 10K J 1/10W	
R103			RK73GB2A333J	CHIP R 33K J 1/10W	
R104,105			RK73GB2A103J	CHIP R 10K J 1/10W	
R106			RK73GB2A223J	CHIP R 22K J 1/10W	
R107			RK73GB2A221J	CHIP R 220 J 1/10W	
R108			RK73GB2A222J	CHIP R 2.2K J 1/10W	
R110			RK73GB2A103J	CHIP R 10K J 1/10W	
R111			RK73GB2A390J	CHIP R 39 J 1/10W	
R113			RK73GB2A104J	CHIP R 100K J 1/10W	
R114-117			RK73GB2A471J	CHIP R 470 J 1/10W	
R118			RK73GB2A102J	CHIP R 1.0K J 1/10W	
R120			RK73GB2A223J	CHIP R 22K J 1/10W	

Ref. No.	A d d	N e w	Parts No.	Description	Desti- nation
R121			RK73GB2A431J	CHIP R 430 J 1/10W	
R122			RK73GB2A100J	CHIP R 10 J 1/10W	
R150			RK73EB2E2R2J	CHIP R 2.2 J 1/4W	
R151,152			RK73GB2A102J	CHIP R 1.0K J 1/10W	
R159			RK73GB2A391J	CHIP R 390 J 1/10W	
R160			RK73GB2A242J	CHIP R 2.4K J 1/10W	
R162			RK73GH2A512D	CHIP R 5.1K D 1/10W	
R163			RK73GH2A472D	CHIP R 4.7K D 1/10W	
R164			RK73GB2A562J	CHIP R 5.6K J 1/10W	
R165			RK73GB2A103J	CHIP R 10K J 1/10W	
R166			RK73GB2A101J	CHIP R 100 J 1/10W	
R167,168			RK73GB2A102J	CHIP R 1.0K J 1/10W	
R169			RK73FB2B152J	CHIP R 1.5K J 1/8W	
R170			RK73GB2A104J	CHIP R 100K J 1/10W	
R171			RK73FB2B4R7J	CHIP R 4.7 J 1/8W	
R172			RK73GB2A332J	CHIP R 3.3K J 1/10W	
R173,174			RK73GB2A101J	CHIP R 100 J 1/10W	
R176			RK73GB2A100J	CHIP R 10 J 1/10W	
R177-180			RK73GB2A101J	CHIP R 100 J 1/10W	
R181,182			RK73GB2A103J	CHIP R 10K J 1/10W	
R184			RK73FB2B1R0J	CHIP R 1.0 J 1/8W	
R200			RK73FB2B203J	CHIP R 20K J 1/8W	
R201			RK73FB2B103J	CHIP R 10K J 1/8W	
R202			RK73EB2E820J	CHIP R 82 J 1/4W	
R203			RK73GB2A361J	CHIP R 360 J 1/10W	
R204			RK73GB2A104J	CHIP R 100K J 1/10W	
R205			RK73GB2A223J	CHIP R 22K J 1/10W	
R206			RK73EB2E820J	CHIP R 82 J 1/4W	
R207			RK73FB2B203J	CHIP R 20K J 1/8W	
R208			RK73FB2B103J	CHIP R 10K J 1/8W	
R209			RK73GB2A223J	CHIP R 22K J 1/10W	
R210			RK73GB2A104J	CHIP R 100K J 1/10W	
R211			RK73GB2A361J	CHIP R 360 J 1/10W	
R212			RK73EB2E820J	CHIP R 82 J 1/4W	
R213			RK73FB2B203J	CHIP R 20K J 1/8W	
R214			RK73FB2B103J	CHIP R 10K J 1/8W	
R215			RK73GB2A361J	CHIP R 360 J 1/10W	
R216			RK73GB2A104J	CHIP R 100K J 1/10W	
R217			RK73GB2A223J	CHIP R 22K J 1/10W	
R218,219			RK73GB2A473J	CHIP R 47K J 1/10W	
R220			RK73GB2A223J	CHIP R 22K J 1/10W	
R221			RK73GB2A104J	CHIP R 100K J 1/10W	
R222			RK73EB2E820J	CHIP R 82 J 1/4W	
R223			RK73FB2B203J	CHIP R 20K J 1/8W	
R224			RK73FB2B103J	CHIP R 10K J 1/8W	
R225,226			RK73GB2A361J	CHIP R 360 J 1/10W	
R227			RK73FB2B203J	CHIP R 20K J 1/8W	
R228			RK73FB2B103J	CHIP R 10K J 1/8W	
R229			RK73GB2A104J	CHIP R 100K J 1/10W	
R230			RK73EB2E820J	CHIP R 82 J 1/4W	
R231,232			RK73GB2A223J	CHIP R 22K J 1/10W	
R233			RK73GB2A104J	CHIP R 100K J 1/10W	
R234			RK73GB2A361J	CHIP R 360 J 1/10W	
R235			RK73EB2E820J	CHIP R 82 J 1/4W	
R236			RK73FB2B203J	CHIP R 20K J 1/8W	

K : KVT-617DVD (North America) R1 : KVT-647DVD (Latin America)

△ Indicates safety critical components.

## PARTS LIST

### ELECTRIC UNIT (X34-3530-10/3-21)

Ref. No.	Add	New	Parts No.	Description	Destination	Ref. No.	Add	New	Parts No.	Description	Destination
R237			RK73FB2B103J	CHIP R 10K J 1/8W		R351			RK73GB2A101J	CHIP R 100 J 1/10W	
R238			RK73EB2E750J	CHIP R 75 J 1/4W		R352			RK73GB2A104J	CHIP R 100K J 1/10W	
R239			RK73EB2E101J	CHIP R 100 J 1/4W		R353			RK73GB2A101J	CHIP R 100 J 1/10W	
R240			RK73GB2A361J	CHIP R 360 J 1/10W		R354			RK73GB2A104J	CHIP R 100K J 1/10W	
R241,242			RK73GB2A223J	CHIP R 22K J 1/10W		R355			RK73GB2A222J	CHIP R 2.2K J 1/10W	
R243			RK73EB2E101J	CHIP R 100 J 1/4W		R356			RK73GB2A104J	CHIP R 100K J 1/10W	
R244			RK73GB2A361J	CHIP R 360 J 1/10W		R357			RK73GB2A223J	CHIP R 22K J 1/10W	
R245			RK73EB2E4R7J	CHIP R 4.7 J 1/4W	K	R358-360			RK73GB2A104J	CHIP R 100K J 1/10W	
R246			RK73EB2E100J	CHIP R 10 J 1/4W	K	R362			RK73GB2A223J	CHIP R 22K J 1/10W	
R247			RK73GB2A222J	CHIP R 2.2K J 1/10W	K	R363			RK73GB2A103J	CHIP R 10K J 1/10W	
R248			RK73GB2A471J	CHIP R 470 J 1/10W		R365			RK73GB2A103J	CHIP R 10K J 1/10W	R1
R249			RK73EB2E100J	CHIP R 10 J 1/4W	K	R366,367			RK73GB2A103J	CHIP R 10K J 1/10W	K
R250			RK73EB2E4R7J	CHIP R 4.7 J 1/4W		R367			RK73GB2A103J	CHIP R 10K J 1/10W	R1
R251			RK73EB2E100J	CHIP R 10 J 1/4W		R369			RK73GB2A103J	CHIP R 10K J 1/10W	R1
R252			RK73GB2A222J	CHIP R 2.2K J 1/10W		R370,371			RK73GB2A103J	CHIP R 10K J 1/10W	K
R253			RK73EB2E101J	CHIP R 100 J 1/4W	K	R371			RK73GB2A103J	CHIP R 10K J 1/10W	R1
R254			RK73EB2E100J	CHIP R 10 J 1/4W		R374			RK73GB2A103J	CHIP R 10K J 1/10W	
R255,256			RK73GB2A750J	CHIP R 75 J 1/10W	K	R400			RK73GB2A103J	CHIP R 10K J 1/10W	
R256			RK73GB2A750J	CHIP R 75 J 1/10W	R1	R401			RK73GB2A334J	CHIP R 330K J 1/10W	
R257			RK73GB2A222J	CHIP R 2.2K J 1/10W		R402			RK73GB2A561J	CHIP R 560 J 1/10W	
R260			RK73GB2A222J	CHIP R 2.2K J 1/10W		R403			RK73GB2A102J	CHIP R 1.0K J 1/10W	
R261			RK73EB2E101J	CHIP R 100 J 1/4W		R404			RK73GB2A222J	CHIP R 2.2K J 1/10W	
R262			RK73GB2A222J	CHIP R 2.2K J 1/10W		R412-415			RK73GB2A103J	CHIP R 10K J 1/10W	
R263			RK73GB2A223J	CHIP R 22K J 1/10W		R500,501			RK73EB2E100J	CHIP R 10 J 1/4W	
R265			RK73GB2A102J	CHIP R 1.0K J 1/10W		R502			RK73EB2E4R7J	CHIP R 4.7 J 1/4W	
R266			RK73EB2E101J	CHIP R 100 J 1/4W		R503			RK73GB2A102J	CHIP R 1.0K J 1/10W	
R267			RK73GB2A750J	CHIP R 75 J 1/10W		R504			RK73GB2A222J	CHIP R 2.2K J 1/10W	
R300			RK73GB2A104J	CHIP R 100K J 1/10W		R505			RK73EB2E472J	CHIP R 4.7K J 1/4W	
R301,302			RK73GB2A101J	CHIP R 100 J 1/10W		R506			RK73EB2E101J	CHIP R 100 J 1/4W	
R304			RK73GB2A101J	CHIP R 100 J 1/10W		R507-510			RK73EB2E472J	CHIP R 4.7K J 1/4W	
R305			RK73GB2A104J	CHIP R 100K J 1/10W		R511,512			RK73EB2E101J	CHIP R 100 J 1/4W	
R306			RK73GB2A103J	CHIP R 10K J 1/10W		R513,514			RK73GB2A103J	CHIP R 10K J 1/10W	
R313			RK73GB2A104J	CHIP R 100K J 1/10W		R515-517			RK73EB2E102J	CHIP R 1.0K J 1/4W	
R314			RK73GB2A103J	CHIP R 10K J 1/10W		R518			RK73EB2E101J	CHIP R 100 J 1/4W	
R315			RK73GB2A101J	CHIP R 100 J 1/10W		R519-521			RK73EB2E102J	CHIP R 1.0K J 1/4W	
R316			RK73GB2A103J	CHIP R 10K J 1/10W		R522			RK73EB2E101J	CHIP R 100 J 1/4W	
R317			RK73GB2A101J	CHIP R 100 J 1/10W		R523-526			RK73EB2E750J	CHIP R 75 J 1/4W	
R319			RK73GB2A473J	CHIP R 47K J 1/10W		R527			RK73GB2A750J	CHIP R 75 J 1/10W	
R320,321			RK73GB2A104J	CHIP R 100K J 1/10W		R528			RK73EB2E4R7J	CHIP R 4.7 J 1/4W	
R322			RK73GB2A101J	CHIP R 100 J 1/10W		R529,530			RK73EB2E150J	CHIP R 15 J 1/4W	
R323			RK73GB2A104J	CHIP R 100K J 1/10W		R531			RK73EB2E100J	CHIP R 10 J 1/4W	
R324			RK73GB2A101J	CHIP R 100 J 1/10W		R532			RK73EB2E4R7J	CHIP R 4.7 J 1/4W	
R325			RK73GB2A472J	CHIP R 4.7K J 1/10W		R533			RK73EB2E100J	CHIP R 10 J 1/4W	
R326			RK73GB2A101J	CHIP R 100 J 1/10W		R534,535			RK73EB2E102J	CHIP R 1.0K J 1/4W	
R327			RK73GB2A472J	CHIP R 4.7K J 1/10W		R536-538			RK73EB2E101J	CHIP R 100 J 1/4W	
R328			RK73GB2A104J	CHIP R 100K J 1/10W		R539,540			RK73EB2E102J	CHIP R 1.0K J 1/4W	
R330			RK73GB2A222J	CHIP R 2.2K J 1/10W		R544-548			RK73GB2A750J	CHIP R 75 J 1/10W	
R331			RK73GB2A102J	CHIP R 1.0K J 1/10W		R549-551			RK73EB2E102J	CHIP R 1.0K J 1/4W	
R332			RK73GB2A104J	CHIP R 100K J 1/10W		R552			RK73EB2E4R7J	CHIP R 4.7 J 1/4W	
R335			RK73GB2A102J	CHIP R 1.0K J 1/10W		R553,554			RK73EB2E100J	CHIP R 10 J 1/4W	
R339			RK73GB2A103J	CHIP R 10K J 1/10W		R565			RK73EB2E101J	CHIP R 100 J 1/4W	
R343-345			RK73GB2A101J	CHIP R 100 J 1/10W		R569-572			RK73EB2E101J	CHIP R 100 J 1/4W	
R347			RK73GB2A101J	CHIP R 100 J 1/10W		R578			RK73GB2A103J	CHIP R 10K J 1/10W	
R349			RK73GB2A101J	CHIP R 100 J 1/10W		R579			RK73GB2A432J	CHIP R 4.3K J 1/10W	
R350			RK73GB2A104J	CHIP R 100K J 1/10W		R580			RK73GB2A102J	CHIP R 1.0K J 1/10W	

K : KVT-617DVD (North America) R1 : KVT-647DVD (Latin America)

△ Indicates safety critical components.

# KVT-617DVD/647DVD

## PARTS LIST

### ELECTRIC UNIT (X34-3530-10/3-21)

Ref. No.	A d d	N e w	Parts No.	Description	Desti- nation
R581,582			RK73GB2A104J	CHIP R 100K J 1/10W	
R583,584			RK73GH2A153D	CHIP R 15K D 1/10W	
R585			RK73EB2E4R7J	CHIP R 4.7 J 1/4W	
R586,587			RK73GH2A153D	CHIP R 15K D 1/10W	
R588,589			RK73GB2A104J	CHIP R 100K J 1/10W	
R590-593			RK73GH2A153D	CHIP R 15K D 1/10W	
R800			RK73EB2E102J	CHIP R 1.0K J 1/4W	
R801			RK73GB2A104J	CHIP R 100K J 1/10W	
R802			RK73GB2A102J	CHIP R 1.0K J 1/10W	R1
R802,803			RK73GB2A102J	CHIP R 1.0K J 1/10W	K
R804-811			RK73GB2A103J	CHIP R 10K J 1/10W	
R850-856			RK73GB2A101J	CHIP R 100 J 1/10W	
W50			RK73EB2E000J	CHIP R 0.0 J 1/4W	
W100			R92-1252-05	CHIP R 0 OHM J 1/16W	
W250,251			R92-1252-05	CHIP R 0 OHM J 1/16W	
W300			R92-1252-05	CHIP R 0 OHM J 1/16W	
W801			RK73EB2E000J	CHIP R 0.0 J 1/4W	
W852			R92-1252-05	CHIP R 0 OHM J 1/16W	
D1-8			M1F60-5063	DIODE	
D9			RM10ZLFNF	DIODE	
D10,11			1SR154-400	DIODE	
D12			DAP202U	DIODE	
D13,14			1SR154-400	DIODE	
D15			UDZS6.8B	ZENER DIODE	
D16			UDZS5.6B	ZENER DIODE	
D17			UDZS4.7B	ZENER DIODE	
D18			DAP202U	DIODE	
D19			UDZS6.8B	ZENER DIODE	
D52			UDZS11B	ZENER DIODE	
D54,55			UDZS5.6B	ZENER DIODE	
D100,101			DAP202U	DIODE	
D150			UDZS6.8B	ZENER DIODE	
D151			DA227	DIODE	
D152			UDZS16B	ZENER DIODE	
D155-157			DAP202U	DIODE	
D200			DAP202U	DIODE	
D201			STZ6.2N	ZENER DIODE	
D203,204			DAP202U	DIODE	
D205			UDZS4.7B	ZENER DIODE	
D206			STZ6.2N	ZENER DIODE	K
D207-209			STZ6.8N	ZENER DIODE	K
D209			STZ6.8N	ZENER DIODE	R1
D210			STZ6.2N	ZENER DIODE	
D211			STZ6.8N	ZENER DIODE	
D212-214			DAP202U	DIODE	
D216			DAP202U	DIODE	
D218			STZ6.8N	ZENER DIODE	
D252			IMSA-6801-E	SURGE ABSORBER	
D300			DA227	DIODE	
D413			UDZS4.7B	ZENER DIODE	
D414			DAP202U	DIODE	
D500,501			STZ6.8N	ZENER DIODE	
D502			UDZS4.7B	ZENER DIODE	
D503			DAP202U	DIODE	

Ref. No.	A d d	N e w	Parts No.	Description	Desti- nation
D504-507			STZ6.2N	ZENER DIODE	
D508			DAN202U	DIODE	
D509-518			STZ6.2N	ZENER DIODE	
D519-521			STZ6.8N	ZENER DIODE	
D522-525			STZ6.2N	ZENER DIODE	
D529-535			STZ6.2N	ZENER DIODE	
D536,537			DA204U	DIODE	
D538			STZ6.2N	ZENER DIODE	
D539			STZ6.8N	ZENER DIODE	
D550			UDZS6.8B	ZENER DIODE	
D800			STZ6.2N	ZENER DIODE	
IC50			M5237ML-CF0J	ANALOGUE IC	
IC52			ICL7660SIBAZ	ANALOGUE IC	
IC54			M5237ML-CF0J	ANALOGUE IC	
IC100			E-TDA7560A	ANALOGUE IC	
IC150			NJM4565V-ZB	ANALOGUE IC	
IC151			E-TDA7415	ANALOGUE IC	
IC200-202			NJM4565V-ZB	ANALOGUE IC	
IC203,204			BA3121F	ANALOGUE IC	K
IC204			BA3121F	ANALOGUE IC	R1
IC251			E-TDA7479AD	ANALOGUE IC	
IC300			S-80842CNNB-G	MOS-IC	
IC301			SN74HC02APWR	MOS-IC	
IC302			BR24L02FV-W	ROM IC	
IC303			703030YGCJ13A	MICROCONTROLLER IC	
IC400-402			MM1508XNRE-E	ANALOGUE IC	
IC403			MM1108XFFE-E	ANALOGUE IC	
IC404			BA7653AFV	ANALOGUE IC	
IC405			BA3121F	ANALOGUE IC	
IC406			BA7652AF	ANALOGUE IC	
IC407,408			MM1228XFBE-E	ANALOGUE IC	
IC413,414			TC4052BFT	MOS-IC	
IC415			MM1503-E	ANALOGUE IC	
IC416			BA7652AF	ANALOGUE IC	
IC500			BA3121F	ANALOGUE IC	
IC501			TC7SET04FU-F	MOS-IC	
IC502			TC7SH08FU-F	MOS-IC	
IC504,505			NJM2060V-ZB	ANALOGUE IC	
Q1			2SB1189	TRANSISTOR	
Q2			2SC4081	TRANSISTOR	
Q3			2SA1576A	TRANSISTOR	
Q4			2SC4081	TRANSISTOR	
Q6,7			DTC114YUA	DIGITAL TRANSISTOR	
Q8			DTA114EUA	DIGITAL TRANSISTOR	
Q9,10			2SB1188 (Q,R)	TRANSISTOR	
Q11			2SA1576A	TRANSISTOR	
Q12			2SC4081	TRANSISTOR	
Q13			DTA123JK	DIGITAL TRANSISTOR	
Q14			2SA1576A	TRANSISTOR	
Q15			2SC4081	TRANSISTOR	
Q50			2SB1443	TRANSISTOR	
Q51			2SC4081	TRANSISTOR	
Q52			UMC2N	TRANSISTOR	
Q54			2SC4081	TRANSISTOR	
Q55			UMC2N	TRANSISTOR	

K : KVT-617DVD (North America) R1 : KVT-647DVD (Latin America)

△ Indicates safety critical components.

## PARTS LIST

### ELECTRIC UNIT (X34-3530-10/3-21)

Ref. No.	Add	New	Parts No.	Description	Destination
Q58			2SB1184	TRANSISTOR	
Q59			2SB1565	TRANSISTOR	
Q61			UMC2N	TRANSISTOR	
Q62			DTC114EUA	DIGITAL TRANSISTOR	
Q63			2SA1576A	TRANSISTOR	
Q64			2SB1565	TRANSISTOR	
Q65			2SA1576A	TRANSISTOR	
Q66			2SC4081	TRANSISTOR	
Q67			2SA1576A	TRANSISTOR	
Q68			2SC4617	TRANSISTOR	
Q69			2SA1774	TRANSISTOR	
Q70			2SC4617	TRANSISTOR	
Q150			UMC2N	TRANSISTOR	
Q151			2SA1774	TRANSISTOR	
Q152			2SC2873-F	TRANSISTOR	
Q200-202			DTC323TU	DIGITAL TRANSISTOR	
Q203			2SA1576A	TRANSISTOR	
Q204-207			DTC323TU	DIGITAL TRANSISTOR	
Q208			DTA144EUA	DIGITAL TRANSISTOR	
Q209			DTC323TU	DIGITAL TRANSISTOR	
Q250			DTC124EUA	DIGITAL TRANSISTOR	
Q252			2SB1689	TRANSISTOR	
Q403-406			DTC124EUA	DIGITAL TRANSISTOR	
Q500			DTA124EUA	DIGITAL TRANSISTOR	
TH100			PRF18BE471QS2	POSITIVE RESISTOR	
A250	2H		X86-3930-11	FRONT-END UNIT	
<b>VIDEO UNIT (X35-4480-10)</b>					
D603			B30-1605-05	LED(2COLOR PG/RED)	
C1,2			C93-1396-05	CHIP C 10UF Z	
C3			C93-1283-05	CHIP C 1.0UF K	
C5			C93-1363-05	CHIP C 10PF	
C6			C93-1361-05	CHIP C 0.012UF	
C7			CK73GB1H473K	CHIP C 0.047UF K	
C8			C93-1269-05	CHIP C 220PF J	
C9			CK73GB0J225K	CHIP C 2.2UF K	
C10			CK73GB1H103K	CHIP C 0.010UF K	
C11			CK73GB0J225K	CHIP C 2.2UF K	
C13			CK73GB1A474K	CHIP C 0.47UF K	
C14			CK73HB1C103K	CHIP C 0.010UF K	
C15			CK73GB1H473K	CHIP C 0.047UF K	
C16			CK73HB1C183K	CHIP C 0.018UF K	
C17			CK73HB1C103K	CHIP C 0.010UF K	
C18			C93-1283-05	CHIP C 1.0UF K	
C21			CK73GB0J225K	CHIP C 2.2UF K	
C22			CK73HB1H152K	CHIP C 1500PF K	
C23			C93-1396-05	CHIP C 10UF Z	
C24			CK73GB1H103K	CHIP C 0.010UF K	
C25			C93-1286-05	CHIP C 2700PF	
C26			CK73GB1H103K	CHIP C 0.010UF K	
C30			C93-1283-05	CHIP C 1.0UF K	
C100			CC73GCH1H151J	CHIP C 150PF J	
C101			CK73GB1H104K	CHIP C 0.10UF K	
C102			CK73EB1C106K	CHIP C 10UF K	

Ref. No.	Add	New	Parts No.	Description	Destination
C103			CK73GB1H103K	CHIP C 0.010UF K	
C105			CE32AU1C390M	CHIP EL 1C.3UF AU	
C106			CK73GB1H103K	CHIP C 0.010UF K	
C108			CE32AU1C390M	CHIP EL 1C.3UF AU	
C109			CK73FB1C105K	CHIP C 1.0UF K	
C110			CK73GB1H103K	CHIP C 0.010UF K	
C111			C93-1367-05	CHIP C 10UF K	
C112			CK73FB1E154K	CHIP C 0.15UF K	
C113			CK73EB1E225K	CHIP C 2.2UF K	
C114			CK73GB1C224K	CHIP C 0.22UF K	
C115			CK73GB1H104K	CHIP C 0.10UF K	
C116			CE32BF0J221M	CHIP EL 0J200UF BF	
C118			CK73GB1H103K	CHIP C 0.010UF K	
C211			CK73EB1A475K	CHIP C 4.7UF K	
C230			CK73GB1H103K	CHIP C 0.010UF K	
C231,232			C93-1396-05	CHIP C 10UF Z	
C233			CK73GB1H103K	CHIP C 0.010UF K	
C234			CC73HCH1H560J	CHIP C 56PF J	
C300			CK73GB1H103K	CHIP C 0.010UF K	
C301,302			C93-1396-05	CHIP C 10UF Z	
C303			CK73GB1H103K	CHIP C 0.010UF K	
C304			CK73GB1H104K	CHIP C 0.10UF K	
C305,306			CK73GB1H103K	CHIP C 0.010UF K	
C307			CK73EB1C106K	CHIP C 10UF K	
C308			CK73GB1H103K	CHIP C 0.010UF K	
C309			CC73HCH1H101J	CHIP C 100PF J	
C310			CK73HB1H561K	CHIP C 560PF K	
C311			CK73HB1C103K	CHIP C 0.010UF K	
C312			CK73GB1H103K	CHIP C 0.010UF K	
C313,314			CK73HB1C103K	CHIP C 0.010UF K	
C315,316			CK73GB1H104K	CHIP C 0.10UF K	
C317			CK73HB1C103K	CHIP C 0.010UF K	
C318,319			CK73GB1H104K	CHIP C 0.10UF K	
C320			CC73HCH1H560J	CHIP C 56PF J	
C321			CK73GB1H104K	CHIP C 0.10UF K	
C322			CC73GCH1E102J	CHIP C 1000PF J	
C323			CC73HCH1H101J	CHIP C 100PF J	
C324,325			CK73HB1C103K	CHIP C 0.010UF K	
C326			CC73GCH1H681J	CHIP C 680PF J	
C327,328			CK73GB1H104K	CHIP C 0.10UF K	
C329			CC73HCH1H101J	CHIP C 100PF J	
C330			CK73EB1C106K	CHIP C 10UF K	
C331,332			CC73HCH1H390J	CHIP C 39PF J	
C333			CK73GB1H104K	CHIP C 0.10UF K	
C334			CK73GB1H103K	CHIP C 0.010UF K	
C335,336			CK73GB1H104K	CHIP C 0.10UF K	
C337			CK73HB1C103K	CHIP C 0.010UF K	
C342			CC73HCH1H100D	CHIP C 10PF D	
C401			CK73HB1H102K	CHIP C 1000PF K	
C421,422			CK73FB1C105K	CHIP C 1.0UF K	
C423			CK73EB1C106K	CHIP C 10UF K	
C424			CK73HB1C103K	CHIP C 0.010UF K	
C425			CK73FB1C105K	CHIP C 1.0UF K	
C426			CK73EB1E105K	CHIP C 1.0UF K	
C427			CK73FB1A225K	CHIP C 2.2UF K	

K : KVT-617DVD (North America) R1 : KVT-647DVD (Latin America)

△ Indicates safety critical components.

# KVT-617DVD/647DVD

## PARTS LIST

### VIDEO UNIT (X35-4480-10)

Ref. No.	A d d	N e w	Parts No.	Description	Desti- nation
C428			CK73FB0J106K	CHIP C 10UF K	
C501-503			CK73HB1C103K	CHIP C 0.010UF K	
C504			CK73EB1C106K	CHIP C 10UF K	
C505			CK73HB1H271K	CHIP C 270PF K	
CN1			E41-2483-05	PIN ASSY	
CN301			E41-2526-05	FLAT CABLE CONNECTOR	
CN302		*	E41-2639-05	FLAT CABLE CONNECTOR	
CN303			E41-2444-05	FLAT CABLE CONNECTOR	
CN304		*	E41-2641-05	FLAT CABLE CONNECTOR	
CN305			E41-2359-05	PIN ASSY	
CN501			E41-2087-05	FLAT CABLE CONNECTOR	
CN502		*	E41-2639-05	FLAT CABLE CONNECTOR	
CN503			E41-2564-05	FLAT CABLE CONNECTOR	
CN601		*	E41-2640-05	FLAT CABLE CONNECTOR	
F1			F53-0297-05	FUSE (UL,CSA) 1.6A	
F100			F53-0280-05	FUSE 0.63A	
L1			L19-0783-05	TRANSFORMER FOR CONVERTER	
L101,102			L41-3392-13	SMALL FIXED INDUCTOR (3.3UH)	
L103			L41-4792-13	SMALL FIXED INDUCTOR (4.7UH)	
L104-106			L41-1005-33	SMALL FIXED INDUCTOR (10U)	
L302,303			L41-1005-33	SMALL FIXED INDUCTOR (10U)	
L306			L41-5695-33	SMALL FIXED INDUCTOR (5.6U)	
L307			L41-8281-15	SMALL FIXED INDUCTOR (0.82U)	
L401			L41-1005-33	SMALL FIXED INDUCTOR (10U)	
L501			L41-1005-33	SMALL FIXED INDUCTOR (10U)	
CP301,302			RK74HB1J102J	CHIP-COM 1.0K J 1/16W	
CP303			RK74HB1J101J	CHIP-COM 100 J 1/16W	
R1			RK73HB1J512J	CHIP R 5.1K J 1/16W	
R3			RK73HB1J220J	CHIP R 22 J 1/16W	
R4			RN73GH1J433D	CHIP R 43K D 1/16W	
R5			RK73HB1J153J	CHIP R 15K J 1/16W	
R6			RN73GH1J513D	CHIP R 51K D 1/16W	
R7			RK73HB1J220J	CHIP R 22 J 1/16W	
R8			RK73HB1J512J	CHIP R 5.1K J 1/16W	
R9			RK73GH2A244D	CHIP R 240K D 1/10W	
R10			RK73HB1J331J	CHIP R 330 J 1/16W	
R11			RK73HB1J220J	CHIP R 22 J 1/16W	
R12			RK73HB1J105J	CHIP R 1.0M J 1/16W	
R13			RK73HB1J220J	CHIP R 22 J 1/16W	
R14			RN73GH1J4530D	CHIP R 453.0 D 1/16W	
R15			RN73GH1J513D	CHIP R 51K D 1/16W	
R16,17			RK73HB1J220J	CHIP R 22 J 1/16W	
R18			RK73HB1J222J	CHIP R 2.2K J 1/16W	
R19			RK73HB1J101J	CHIP R 100 J 1/16W	
R21			RK73HB1J000JK	CHIP R 0.0 J 1/16W	
R22-26			RK73HB1J102J	CHIP R 1.0K J 1/16W	
R28			RK73GB2A515J	CHIP R 5.1M J 1/10W	
R29			RK73GB2A104J	CHIP R 100K J 1/10W	
R101			RK73GH2A104D	CHIP R 100K D 1/10W	
R102			RK73GH2A113D	CHIP R 11K D 1/10W	
R103			RK73GH2A184D	CHIP R 180K D 1/10W	
R104			RK73GH2A133D	CHIP R 13K D 1/10W	
R105			RK73HB1J473J	CHIP R 47K J 1/16W	
R106			RK73HB1J103J	CHIP R 10K J 1/16W	

Ref. No.	A d d	N e w	Parts No.	Description	Desti- nation
R218			RK73HB1J102J	CHIP R 1.0K J 1/16W	
R219			RK73HB1J513J	CHIP R 51K J 1/16W	
R234			RN73GH1J472D	CHIP R 4.7K D 1/16W	
R235			RN73GH1J912D	CHIP R 9.1K D 1/16W	
R236			RN73GH1J222D	CHIP R 2.2K D 1/16W	
R240			RK73HB1J220J	CHIP R 22 J 1/16W	
R242			RK73HB1J220J	CHIP R 22 J 1/16W	
R253			RK73HB1J000JK	CHIP R 0.0 J 1/16W	
R256,257			RK73HB1J000JK	CHIP R 0.0 J 1/16W	
R300			RK73GB2A103J	CHIP R 10K J 1/10W	
R302			RK73HB1J221J	CHIP R 220 J 1/16W	
R307			RK73HB1J104J	CHIP R 100K J 1/16W	
R308			RK73HB1J621J	CHIP R 620 J 1/16W	
R309			RK73HB1J000JK	CHIP R 0.0 J 1/16W	
R310			RK73HB1J101J	CHIP R 100 J 1/16W	
R316			RK73HB1J102J	CHIP R 1.0K J 1/16W	
R318			RK73HB1J102J	CHIP R 1.0K J 1/16W	
R320			RK73HB1J000JK	CHIP R 0.0 J 1/16W	
R321			RN73GH1J472D	CHIP R 4.7K D 1/16W	
R323			RK73HB1J000JK	CHIP R 0.0 J 1/16W	
R324,325			RN73GH1J472D	CHIP R 4.7K D 1/16W	
R326			RK73HH1J473D	CHIP R 47K D 1/16W	
R327			RK73HH1J683D	CHIP R 68K D 1/16W	
R328			RK73HH1J153D	CHIP R 15K D 1/16W	
R329			RK73HH1J101D	CHIP R 100 D 1/16W	
R330			RK73HH1J182D	CHIP R 1.8K D 1/16W	
R331			RK73HH1J331D	CHIP R 330 D 1/16W	
R332			RK73HH1J332D	CHIP R 3.3K D 1/16W	
R333-335			RK73HB1J000JK	CHIP R 0.0 J 1/16W	
R337,338			RK73HB1J101J	CHIP R 100 J 1/16W	
R339			RK73HB1J102J	CHIP R 1.0K J 1/16W	
R340-344			RK73HB1J101J	CHIP R 100 J 1/16W	
R345			RK73HH1J683D	CHIP R 68K D 1/16W	
R346			RK73HH1J105D	CHIP R 1.0M D 1/16W	
R347			RK73HH1J153D	CHIP R 15K D 1/16W	
R348			RK73HB1J362J	CHIP R 3.6K J 1/16W	
R349			RK73HB1J752J	CHIP R 7.5K J 1/16W	
R350-352			RK73HB1J101J	CHIP R 100 J 1/16W	
R353			RK73HB1J103J	CHIP R 10K J 1/16W	
R354			RK73HB1J300J	CHIP R 30 J 1/16W	
R355			RK73HB1J820J	CHIP R 82 J 1/16W	
R356			RK73HB1J103J	CHIP R 10K J 1/16W	
R357			RK73HB1J000JK	CHIP R 0.0 J 1/16W	
R359,360			RK73HB1J100J	CHIP R 10 J 1/16W	
R366			RK73HB1J000JK	CHIP R 0.0 J 1/16W	
R371			RK73HB1J000JK	CHIP R 0.0 J 1/16W	
R373,374			RK73HB1J561J	CHIP R 560 J 1/16W	
R385			RK73HB1J000JK	CHIP R 0.0 J 1/16W	
R388			RK73HB1J000JK	CHIP R 0.0 J 1/16W	
R402			RK73HB1J392J	CHIP R 3.9K J 1/16W	
R403			RK73HB1J822J	CHIP R 8.2K J 1/16W	
R404			RK73HB1J243J	CHIP R 24K J 1/16W	
R422			RK73HB1J683J	CHIP R 68K J 1/16W	
R423			RK73HB1J104J	CHIP R 100K J 1/16W	
R441			RK73GB2A681J	CHIP R 680 J 1/10W	

K : KVT-617DVD (North America) R1 : KVT-647DVD (Latin America)

△ Indicates safety critical components.

## PARTS LIST

### VIDEO UNIT (X35-4480-10)

Ref. No.	Add	New	Parts No.	Description	Destination
R453			RK73GB2A681J	CHIP R 680 J 1/10W	
R454			RK73GB2A331J	CHIP R 330 J 1/10W	
R456			RK73GB2A331J	CHIP R 330 J 1/10W	
R501,502			RK73HB1J333J	CHIP R 33K J 1/16W	
R503-506			RK73EB2E100J	CHIP R 10 J 1/4W	
R600			RK73HB1J100J	CHIP R 10 J 1/16W	
R642			RK73HB1J471J	CHIP R 470 J 1/16W	
R652,653			RK73GB2A151J	CHIP R 150 J 1/10W	
R663,664			RK73GB2A271J	CHIP R 270 J 1/10W	
VR203			R32-0328-05	SEMI FIXED VARIABLE RESISTOR	
VR301			R32-0328-05	SEMI FIXED VARIABLE RESISTOR	
W216,217			RK73FB2B000J	CHIP R 0.0 J 1/8W	
W301-304			R92-1252-05	CHIP R 0 OHM J 1/16W	
W310			R92-1252-05	CHIP R 0 OHM J 1/16W	
W354-356			R92-1252-05	CHIP R 0 OHM J 1/16W	
S401-404			S70-0937-05	TACT SWITCH	
S601			S70-0919-05	TACT SWITCH	
D1,2			UDZS4.7B	ZENER DIODE	
D3			1SS355	DIODE	
D4,5			DA204U	DIODE	
D6			MA2S784-F	DIODE	
D7			UDZS5.6B	ZENER DIODE	
D9			DA204U	DIODE	
D10			AVRM1005270MAA	VARISTOR	
D101			EP05Q04	DIODE	
D102			EP05Q06	DIODE	
D103,104			EP05Q04	DIODE	
D301			UDZS5.1B	ZENER DIODE	
D302,303			DA204U	DIODE	
D304			UDZS5.1B	ZENER DIODE	
D305,306			DA204U	DIODE	
D309			1SV231-F	VARIABLE CAPACITANCE DIODE	
D312,313			AVRM1608120M6A	VARISTOR	
D314			DA204U	DIODE	
D401			AVRM1608120M6A	VARISTOR	
D402-410			AVRM1608180M6A	VARISTOR	
D501-504			UDZS6.2B	ZENER DIODE	
D601,602			AVRM1608180M6A	VARISTOR	
IC1			OZ964ISN-C	ANALOGUE IC	
IC101			LT1947-PBF	ANALOGUE IC	
IC203			TA75W558FU-F	ANALOGUE IC	
IC300			TC7WH126FU-F	MOS-IC	
IC301			TC200G02G0104	MOS-IC	
IC302			TC7SH08FU-F	MOS-IC	
IC303			NJM2107F-ZB	ANALOGUE IC	
IC401			TPS850	ANALOGUE IC	
Q1			2SC4081	TRANSISTOR	
Q2,3			SI5513DC-E3	DUAL FET	
Q5			2SC4081	TRANSISTOR	
Q202			2SC4097	TRANSISTOR	
Q203			2SA1577	TRANSISTOR	
Q300			DTC124EUA	DIGITAL TRANSISTOR	
Q301			2SC4097	TRANSISTOR	
Q302,303			2SC4081	TRANSISTOR	

Ref. No.	Add	New	Parts No.	Description	Destination
Q501			DTC124EE	DIGITAL TRANSISTOR	
Q502,503			PUMD10	DUAL TRANSISTOR	
Q601			DTC124EE	DIGITAL TRANSISTOR	
<b>DVD UNIT (X37-1140-00): IN DVD MECHA.</b>					
C1-3			CK73HB1A104K	CHIP C 0.10UF K	
C4,5			CK73HB0J105K	CHIP C 1.0UF K	
C6			CK73GB0J475K	CHIP C 4.7UF K	
C7			CK73FB0J106K	CHIP C 10UF K	
C8			CK73FB0J226M	CHIP C 22UF M	
C10			CK73HB1A104K	CHIP C 0.10UF K	
C14			CK73FB0J106K	CHIP C 10UF K	
C15			CK73HB0J105K	CHIP C 1.0UF K	
C16			CK73HB1A104K	CHIP C 0.10UF K	
C17			CK73HB0J105K	CHIP C 1.0UF K	
C18			CK73HB1H332K	CHIP C 3300PF K	
C19			CK73HB1A104K	CHIP C 0.10UF K	
C20			CK73FB0J106K	CHIP C 10UF K	
C21			CK73FB0J226M	CHIP C 22UF M	
C23			CK73HB1A104K	CHIP C 0.10UF K	
C24			CC73GCH1H471J	CHIP C 470PF J	
C25			CK73HB1A104K	CHIP C 0.10UF K	
C26			CK73HB1C473K	CHIP C 0.047UF K	
C27			CK73HB1A104K	CHIP C 0.10UF K	
C28			CK73HB1E103K	CHIP C 0.010UF K	
C29			CK73HB0J105K	CHIP C 1.0UF K	
C31			CK73HB1E223K	CHIP C 0.022UF K	
C32			CC73HCH1H470J	CHIP C 47PF J	
C33			CC73GCH1H102J	CHIP C 1000PF J	
C35			CC73GCH1H102J	CHIP C 1000PF J	
C36			CC73GCH1H681J	CHIP C 680PF J	
C37			CK73HB1H682K	CHIP C 6800PF K	
C38			CK73HB0J105K	CHIP C 1.0UF K	
C39			CC73GCH1H331J	CHIP C 330PF J	
C40			CC73GCH1H102J	CHIP C 1000PF J	
C41			CK73HB0J105K	CHIP C 1.0UF K	
C42			CC73GCH1H681J	CHIP C 680PF J	
C43			CK73HB1H222K	CHIP C 2200PF K	
C44			CK73HB1H152K	CHIP C 1500PF K	
C45			CK73HB1H102K	CHIP C 1000PF K	
C46			CK73HB1A104K	CHIP C 0.10UF K	
C47-52			CK73HB0J105K	CHIP C 1.0UF K	
C53			CK73HB1A104K	CHIP C 0.10UF K	
C54,55			CK73HB0J105K	CHIP C 1.0UF K	
C56			C93-1228-05	CHIP C 1UF M	
C57,58			CK73HB0J105K	CHIP C 1.0UF K	
C60			CK73HB0J105K	CHIP C 1.0UF K	
C61			C93-1228-05	CHIP C 1UF M	
C62,63			CC73HCH1H120J	CHIP C 12PF J	
C64			CK73HB1E103K	CHIP C 0.010UF K	
C66			CK73FB0J106K	CHIP C 10UF K	
C67			C93-1228-05	CHIP C 1UF M	
C68,69			CK73HB0J105K	CHIP C 1.0UF K	
C70			CK73HB1A104K	CHIP C 0.10UF K	
C72,73			CK73HB1A104K	CHIP C 0.10UF K	

K : KVT-617DVD (North America) R1 : KVT-647DVD (Latin America)

△ Indicates safety critical components.

# KVT-617DVD/647DVD

## PARTS LIST

### DVD UNIT (X37-1140-00): IN DVD MECHA.

Ref. No.	A d d	N e w	Parts No.	Description	Desti- nation
C76			CK73HB1A104K	CHIP C 0.10UF K	
C80			CK73FB0J106K	CHIP C 10UF K	
C81			CK73FB0J226M	CHIP C 22UF M	
C82			CK73HB1A104K	CHIP C 0.10UF K	
C83,84			C92-1908-05	ELECTRO 47UF 6.3WV	
C85,86			CK73HB1H102K	CHIP C 1000PF K	
C87-90			CK73HB1E103K	CHIP C 0.010UF K	
C91			CK73HB1E223K	CHIP C 0.022UF K	
C92,93			CK73HB1E103K	CHIP C 0.010UF K	
C94			CK73GB0J475K	CHIP C 4.7UF K	
C95			CK73FB0J106K	CHIP C 10UF K	
C96			CK73FB0J226M	CHIP C 22UF M	
C97			CK73HB1E103K	CHIP C 0.010UF K	
C98			CK73GB0J475K	CHIP C 4.7UF K	
C99			CK73FB0J226M	CHIP C 22UF M	
C101			CK73FB0J226M	CHIP C 22UF M	
C102			C92-1908-05	ELECTRO 47UF 6.3WV	
C104			CC73HCH1H100D	CHIP C 10PF D	
C105-108			CC73HCH1H151J	CHIP C 150PF J	
C109,110			CK73HB1H102K	CHIP C 1000PF K	
C120,121			CK73HB1E223K	CHIP C 0.022UF K	
C309			CK73HB1A104K	CHIP C 0.10UF K	
C442			CK73HB1A104K	CHIP C 0.10UF K	
C501			CK73HB1H102K	CHIP C 1000PF K	
CN2			E41-2595-05	FLAT CABLE CONNECTOR	
CN3			E41-2622-05	FLAT CABLE CONNECTOR	
CN4			E41-2603-05	FLAT CABLE CONNECTOR	
CN5			E41-2625-05	FLAT CABLE CONNECTOR	
CN6			E41-2050-05	SOCKET FOR PIN ASSY	
CN11			E41-2594-05	FLAT CABLE CONNECTOR	
L1-5			L92-0365-05	CHIP FERRITE	
X1			L77-2870-05	CRYSTAL RESONATOR (16.897849M)	
CP2-4			RK74HB1J103J	CHIP-COM 10K J 1/16W	
CP5-9			RK74HB1J330J	CHIP-COM 33 J 1/16W	
CP10			RK74HB1J820J	CHIP-COM 82 J 1/16W	
R1			RK73GH2A101D	CHIP R 100 D 1/10W	
R2,3			RK73HB1J104J	CHIP R 100K J 1/16W	
R5-7			RK73HB1J103J	CHIP R 10K J 1/16W	
R8			RK73HB1J104J	CHIP R 100K J 1/16W	
R10			RK73HB1J103J	CHIP R 10K J 1/16W	
R11			RK73HB1J225J	CHIP R 2.2M J 1/16W	
R12			RK73HB1J103J	CHIP R 10K J 1/16W	
R15			RK73GH2A113D	CHIP R 11K D 1/10W	
R16			RK73GH2A273D	CHIP R 27K D 1/10W	
R18			RK73HB1J125J	CHIP R 1.2M J 1/16W	
R21			RK73GH2A153D	CHIP R 15K D 1/10W	
R22			RK73HB1J105J	CHIP R 1.0M J 1/16W	
R23			RK73HB1J472J	CHIP R 4.7K J 1/16W	
R24			RK73GH2A123D	CHIP R 12K D 1/10W	
R25-27			RK73HB1J103J	CHIP R 10K J 1/16W	
R28,29			RK73HB1J102J	CHIP R 1.0K J 1/16W	
R30-32			RK73HB1J132J	CHIP R 1.3K J 1/16W	
R33			RK73HB1J103J	CHIP R 10K J 1/16W	

Ref. No.	A d d	N e w	Parts No.	Description	Desti- nation
R34,35			RK73HB1J472J	CHIP R 4.7K J 1/16W	
R36			RK73HB1J102J	CHIP R 1.0K J 1/16W	
R37			RK73HB1J132J	CHIP R 1.3K J 1/16W	
R38,39			RK73HB1J102J	CHIP R 1.0K J 1/16W	
R40,41			RK73HB1J473J	CHIP R 47K J 1/16W	
R45			RK73HB1J105J	CHIP R 1.0M J 1/16W	
R46			RK73HB1J152J	CHIP R 1.5K J 1/16W	
R47			RK73HB1J472J	CHIP R 4.7K J 1/16W	
R49			RK73HB1J273J	CHIP R 27K J 1/16W	
R51			RK73HB1J102J	CHIP R 1.0K J 1/16W	
R52			RK73HB1J132J	CHIP R 1.3K J 1/16W	
R53			RK73HB1J103J	CHIP R 10K J 1/16W	
R54			RK73HB1J220J	CHIP R 22 J 1/16W	
R55			RK73HB1J202J	CHIP R 2.0K J 1/16W	
R56,57			RK73HB1J221J	CHIP R 220 J 1/16W	
R58			RK73GH2A273D	CHIP R 27K D 1/10W	
R59			RK73GB2A150J	CHIP R 15 J 1/10W	
R61			RK73GB2A121J	CHIP R 120 J 1/10W	
R62			R92-3475-05	CHIP R 0.27 F 1/2W	
R63			RK73GB2A241J	CHIP R 240 J 1/10W	
R64			RK73HB1J222J	CHIP R 2.2K J 1/16W	
R65,66			RK73HB1J103J	CHIP R 10K J 1/16W	
R67			RK73HB1J472J	CHIP R 4.7K J 1/16W	
R68,69			RK73HB1J102J	CHIP R 1.0K J 1/16W	
R70,71			RK73GH2A123D	CHIP R 12K D 1/10W	
R72			RK73GH2A333D	CHIP R 33K D 1/10W	
R73			RK73GH2A203D	CHIP R 20K D 1/10W	
R74			RK73HB1J123J	CHIP R 12K J 1/16W	
R75			RK73HB1J152J	CHIP R 1.5K J 1/16W	
R76			RK73HB1J122J	CHIP R 1.2K J 1/16W	
R77			RK73HB1J511J	CHIP R 510 J 1/16W	
R78			RK73HB1J472J	CHIP R 4.7K J 1/16W	
R79			R92-5031-05	CHIP R 5.1 F 1/8W	
R80			RK73GB2A3R6J	CHIP R 3.6 J 1/10W	
R81			RK73HB1J134J	CHIP R 130K J 1/16W	
R82			RK73HB1J103J	CHIP R 10K J 1/16W	
R83			RK73HB1J820J	CHIP R 82 J 1/16W	
R84			RK73HB1J103J	CHIP R 10K J 1/16W	
R85			RK73HB1J330J	CHIP R 33 J 1/16W	
R86-88			RK73HB1J820J	CHIP R 82 J 1/16W	
R89,90			RK73HB1J103J	CHIP R 10K J 1/16W	
R91			RK73GH2A101D	CHIP R 100 D 1/10W	
R92			RK73HB1J104J	CHIP R 100K J 1/16W	
R93			RK73HB1J222J	CHIP R 2.2K J 1/16W	
R95			R92-5031-05	CHIP R 5.1 F 1/8W	
R96,97			RK73HB1J102J	CHIP R 1.0K J 1/16W	
R100,101			RK73HB1J510J	CHIP R 51 J 1/16W	
R102,103			RK73HB1J202J	CHIP R 2.0K J 1/16W	
R104			RK73HB1J103J	CHIP R 10K J 1/16W	
R105			RK73HB1J132J	CHIP R 1.3K J 1/16W	
R106,107			RK73HB1J103J	CHIP R 10K J 1/16W	
R108			RK73HB1J223J	CHIP R 22K J 1/16W	
R109			RK73HB1J123J	CHIP R 12K J 1/16W	
R110			RK73GH2A132D	CHIP R 1.3K D 1/10W	
R117,118			RK73HB1J103J	CHIP R 10K J 1/16W	

K : KVT-617DVD (North America) R1 : KVT-647DVD (Latin America)

△ Indicates safety critical components.

## PARTS LIST

### DVD UNIT (X37-1140-00): IN DVD MECHA.

Ref. No.	Add	New	Parts No.	Description	Destination	Ref. No.	Add	New	Parts No.	Description	Destination
R120,121			RK73HB1J123J	CHIP R 12K J 1/16W		30	2A		D14-0799-14	ROLLER	
R122,123			RK73HB1J1R0J	CHIP R 1.0 J 1/16W		31	2A		D14-1006-04	ROLLER	
R201-204			RK73GB2A000J	CHIP R 0.0 J 1/10W		34	3B		D21-2476-14	SHAFT	
R205-207			RK73HB1J000J	CHIP R 0.0 J 1/16W		36	1B		D39-0259-05	DAMPER	
R307			RK73HH1J202D	CHIP R 2.0K D 1/16W							
R457			RK73GH2A111D	CHIP R 110 D 1/10W		37	2B		E39-0556-05	LEAD WIRE	
R459,460			R92-3350-05	CHIP R 2.2 F 1/10W		VFC1	2A		E39-0806-05	FLAT CABLE	
S3			S68-0822-05	PUSH SWITCH		38	3A		F07-1134-12	COVER	
S4			S68-0895-05	PUSH SWITCH		39	3A		F09-1930-14	SHEET	
S5			S68-0822-05	PUSH SWITCH		40	3A		F09-1960-04	SHEET	
D1,2			MAZS0510M	ZENER DIODE		41	3B		F09-2806-04	SHEET	
D3			1SS402-F	DIODE		42	3A		F09-1870-04	SHEET	
D4-6			DAP202U	DIODE		43	2B		G01-4621-04	TORSION COIL SPRING	
D7			MA2S111	DIODE		44	3B		G02-1541-04	FLAT SPRING	
IC1			AN22022A-V	ANALOGUE IC		45	2B		G01-3192-04	EXTENSION SPRING	
IC2			AN41204A	ANALOGUE IC		46	2A		G01-3194-24	EXTENSION SPRING	
IC3			M29W400DB55N6E	ROM IC		47	1B		G01-3195-14	EXTENSION SPRING	
IC4			MN103S71F	MOS-IC		48	2A		G01-3206-24	TORSION COIL SPRING	
IC5			S-80829CNPF	ANALOGUE IC		49	2A		G01-3207-24	TORSION COIL SPRING	
IC8			S-80813CNPF	ANALOGUE IC		50	3A		G01-3209-04	COMPRESSION SPRING	
IC9			NJM2880U115	ANALOGUE IC		51	3A		G02-1468-04	FLAT SPRING	
IC10			NJM2886DL2-33	ANALOGUE IC		52	2B		G02-1504-43	FLAT SPRING ASSY	
IC11			S-24CS04AFT	ROM IC		53	1B		G02-1466-24	FLAT SPRING	
IC65			NJU7042	ANALOGUE IC		54	3B		G02-1488-04	FLAT SPRING	
Q1,2			2SK3018	FET		55	3A		G02-1473-14	FLAT SPRING	
Q7,8			2SB0970	TRANSISTOR		56	1B		G11-3614-04	CUSHION (SR-S-24P)	
Q9,10			2SJ0536	FET		57	3B		G11-3622-04	CUSHION (PORON)	
Q11-14			DTA114YUA	DIGITAL TRANSISTOR		58	2B		J11-0654-13	CLAMPER	
Q21			2SJ0536	FET		59	1A		J22-0042-12	MOUNTING HARDWARE	
Q22			DTA114YUA	DIGITAL TRANSISTOR		60	1B		J22-0043-12	MOUNTING HARDWARE	
<b>DVD MECHANISM ASSY (X92-5420-00)(DVS-7100V)</b>						61	3B		J22-0044-03	MOUNTING HARDWARE	
1	1B		A10-5084-31	CHASSIS		62	1A		J22-0103-23	MOUNTING HARDWARE ASSY	
2	2B		A10-5083-21	CHASSIS ASSY		63	2B		J22-0177-14	MOUNTING HARDWARE	
3	3A		A11-1650-01	SUB CHASSIS		64	1A		J90-1066-41	GUIDE	
4	1B		D10-4763-32	ARM		65	1B		J90-1067-13	GUIDE	
5	1B		D10-4764-23	ARM		66	1B		J90-1087-32	GUIDE	
7	2B		D10-4768-12	SLIDER		67	1B		J90-1088-32	GUIDE	
8	2B		D10-4769-03	SLIDER		A	2A		N09-6143-05	MACHINE SCREW	
9	2A		D10-4771-02	SLIDER		B	1A		N09-6144-05	MACHINE SCREW	
10	2A		D10-4772-03	SLIDER		C	3B		N09-6145-05	MACHINE SCREW	
11	2A		D10-4773-13	SLIDER		D	3B		N09-6156-05	MACHINE SCREW (M1.4X1.6)	
12	2B		D10-4774-03	LEVER		E	1B		N09-6230-05	MACHINE SCREW	
13	2B		D10-4776-23	ARM		F	1A		N19-2192-04	FLAT WASHER	
14	3A		D10-4795-23	ARM		G	3B		N09-6133-05	MACHINE SCREW (SERRATED)	
15	2B		D10-4804-13	ARM		H	3A		N09-6134-05	STEPPED SCREW (STEPPED)	
21	2B		D13-2298-04	GEAR		J	3A		N09-6203-05	MACHINE SCREW	
22	2B		D13-2299-04	GEAR		K	3A		N09-6221-15	MACHINE SCREW (P 1.4x3.5)	
23	2B		D13-2303-04	GEAR		L	2A		N09-6308-05	MACHINE SCREW (P 1.4x4.5)	
24	2B		D13-2305-04	GEAR		M	2A		N19-2183-14	FLAT WASHER	
25	2B		D13-2306-04	GEAR		VM1	2A		T42-1329-05	MOTOR ASSY	
26	1A		D13-2308-04	GEAR		VM2	3A		T42-1330-05	MOTOR ASSY	
27	1A		D13-2309-04	GEAR		71	2A		X94-2010-01	ROLLER ASSY	
28	3B		D13-2316-24	GEAR ASSY		VM3	2B		X94-2000-01	MOTOR ASSY (LO)	
29	2B	*	D13-2300-24	GEAR		VPU1	3B		X94-2030-00	OPTICAL PICKUP ASSY	

K : KVT-617DVD (North America) R1 : KVT-647DVD (Latin America)

△ Indicates safety critical components.