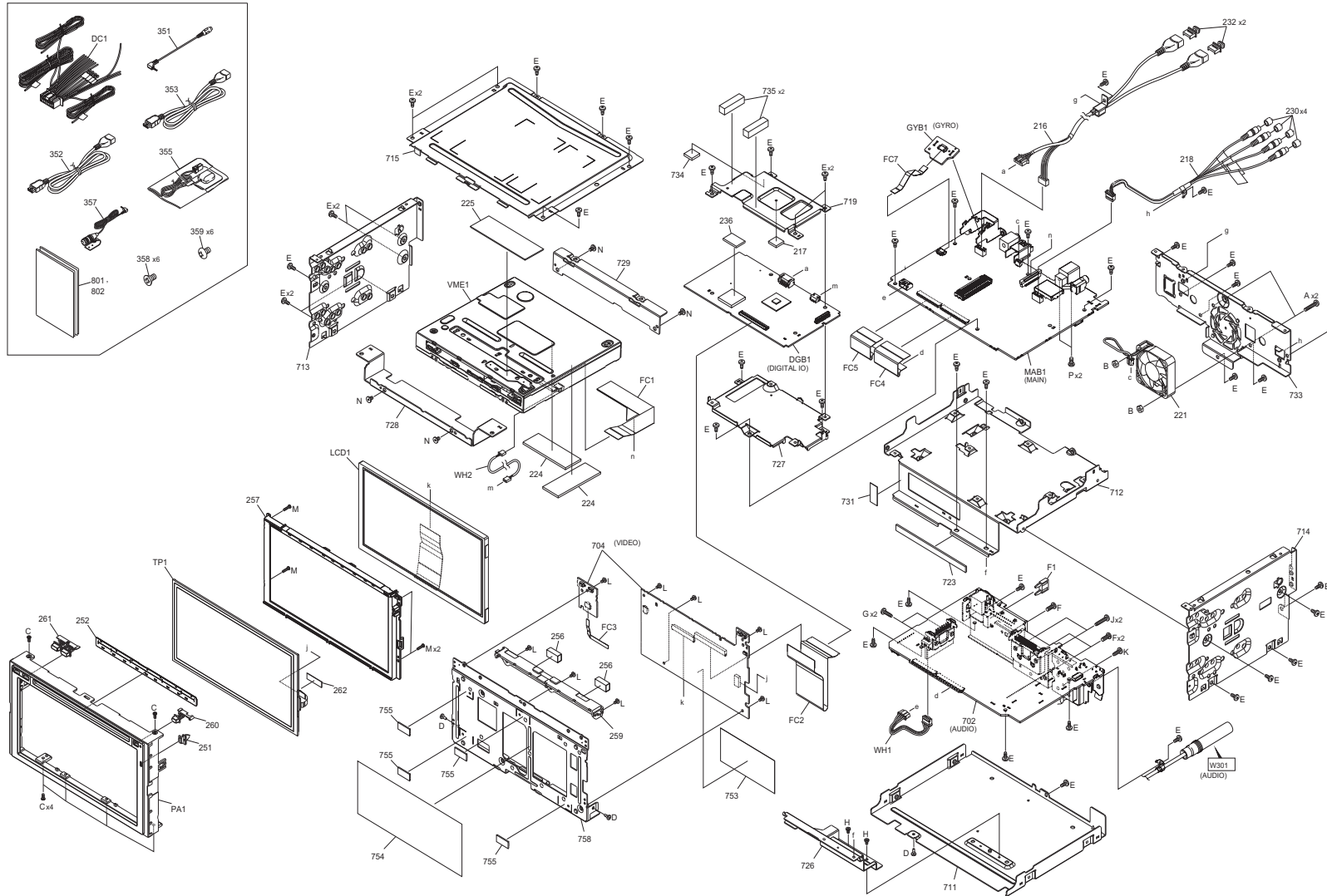


EXPLODED VIEW (UNIT)

Block No.M1MM



MODEL	MARK	MODEL	MARK
KW-V960BW	K0_A	KW-V960BW	K0_B

Safe	Symbol No.	Parts No.	Parts Name	Description	QTY	Local
EXPLODED VIEW (UNIT) <M1MM>						
△	DC1	E3A-0577-00	DC CORD		1	
	DGB1	CB-XJA079K05N	DIGITAL IO PWB	XJA-079K-05	1	
	GYB1	CB-XJ5005K00N	GYRO PWB	XJ5-005K-00	1	
	MAB1	CB-XJ1298K07N	MAIN PWB	XJ1-298K-07	1	K0_A
	MAB1	CB-XJ1374K07N	MAIN PWB	XJ1-374K-07	1	K0_B
△	F1	FZB10AU-150	BLADE FUSE		1	
	FC1	E3F-0111-00	FLAT CABLE		1	
	FC2	E3F-0128-00	FLAT CABLE		1	
	FC3	E3G-0043-00	FFC WIRE		1	
	FC4	EF0AD0560X4BC	FFC WIRE		1	
	FC5	EF0AD0550X4BC	FFC WIRE		1	
	FC7	E3G-0129-00	FFC WIRE		1	
	LCD1	B3H-0085-00	LCD ASSY		1	K0_A
	LCD1	B3H-0085-10	LCD ASSY		1	K0_B
	PA1	A6C-0064-0V	PANEL		1	
	TP1	W0C-0262-00	TOUCH PANEL		1	
	VME1	XJJ-075W-00	DVD MECHANISM		1	
	WH1	E3F-0116-00	WIRING HARNESS		1	
	WH2	E3K-0438-10	WIRING HARNESS		1	
	A	LV45522-001A	SPECIAL SCREW		2	
	B	QYNTS2600ZA	NUT	M2.6	2	
	C	LV45701-003A	SPECIAL SCREW		6	
	D	QYSDST2005ZA	TAP SCREW	M2.0 x 5.0mm	3	
	E	QYSDST2606ZA	TAP SCREW	M2.6 x 6.0mm	44	
	F	QYSPSG3008ZA	TAP SCREW	M3.0 x 8.0mm	3	
	G	QYSDST2610ZA	TAP SCREW	M2.6 x 10.0mm	2	
	H	VKZ4539-054	MINI SCREW		2	
	J	QYSPST2614ZA	TAP SCREW	M2.6 x 14.0mm	2	
	K	QYSDSF2608ZA	TAP SCREW	M2.6 x 8.0mm	1	
	L	NOZ-0200-00	SPECIAL SCREW		8	
	M	VKZ4777-014	SCREW		4	
	N	LV45552-003A	SPECIAL SCREW		4	
	P	QYSDSG3006ZA	TAP SCREW	M3.0 x 6.0mm	2	
	216	E3A-0362-10	CORD W.CON.		1	
	217	LV46006-002A	COOLING RUBBER		1	
	218	E3A-0705-00	CORD W.PINJACK		1	
	221	F0K-0264-00	FAN		1	
	224	G1B-0071-0G	CUSHION		2	
	225	G1G-0055-05	SHEET		1	
	230	F2K-0012-00	INS.COVER		4	
	232	F0G-0282-00	J.COVER(USB)		2	
	236	G1D-0034-0U	CONDUCT CUSHION		1	
	251	T6A-0047-00	PLASTIC LENS		1	
	252	F1K-0090-00	BLIND PLATE		1	
	256	G1D-0034-04	CONDUCT CUSHION		2	
	257	J1K-0426-00	HOLDER		1	
	259	J9A-0021-00	GUIDE		1	
	260	K2E-0057-00	PUSH KNOB		1	
	261	K2F-0069-00	PUSH KNOB		1	
	262	LV40847-057A	SPACER(H)		1	
	351	E3A-0620-00	CORD W.PINJACK		1	
	352	E3A-0364-00	USB CORD	BLACK	1	
	353	E3A-0365-00	USB CORD	GRAY	1	
	355	T9A-0070-00	ANTENNA ASSY		1	
	357	T9B-0066-00	MICROPHONE		1	
	358	QYSSSP5008ZA	SCREW	M5.0 x 8.0mm	6	
	359	QYSTSP5008ZA	SCREW	M5.0 x 8.0mm	6	
	702	-----	AUDIO PWB	NO SERVICE PART	1	
	704	-----	VIDEO PWB	NO SERVICE PART	1	
	711	-----	CHASSIS	NO SERVICE PART	1	
	712	-----	SUB CHASSIS	NO SERVICE PART	1	
	713	-----	SIDE PLATE	NO SERVICE PART	1	
	714	-----	SIDE PLATE	NO SERVICE PART	1	
	715	-----	TOP PLATE	NO SERVICE PART	1	
	719	-----	HEAT SINK	NO SERVICE PART	1	
	723	-----	CUSHION	NO SERVICE PART	1	
	726	-----	BRACKET	NO SERVICE PART	1	
	727	-----	BRACKET	NO SERVICE PART	1	
	728	-----	BRACKET	NO SERVICE PART	1	
	729	-----	BRACKET	NO SERVICE PART	1	
	731	-----	SPACER(H)	NO SERVICE PART	1	
	733	-----	REAR PANEL	NO SERVICE PART	1	
	734	-----	COOL SHEET	NO SERVICE PART	1	
	735	-----	CONDUCT CUSHION	NO SERVICE PART	2	
	753	-----	INS.SHEET	NO SERVICE PART	1	
	754	-----	INS.SHEET	NO SERVICE PART	1	
	755	-----	CONDUCT CUSHION	NO SERVICE PART	4	
	758	-----	BRACKET	NO SERVICE PART	1	
	801	-----	GUIDE BOOK	NO SERVICE PART	1	K0_A
	801	-----	GUIDE BOOK	NO SERVICE PART	1	K0_B
	802	-----	SUB-INST.MANUAL	NO SERVICE PART	1	K0_A

EXPLODED VIEW (DVD MECHANISM: XJJ-075W-00/FD2-3C00NXN)

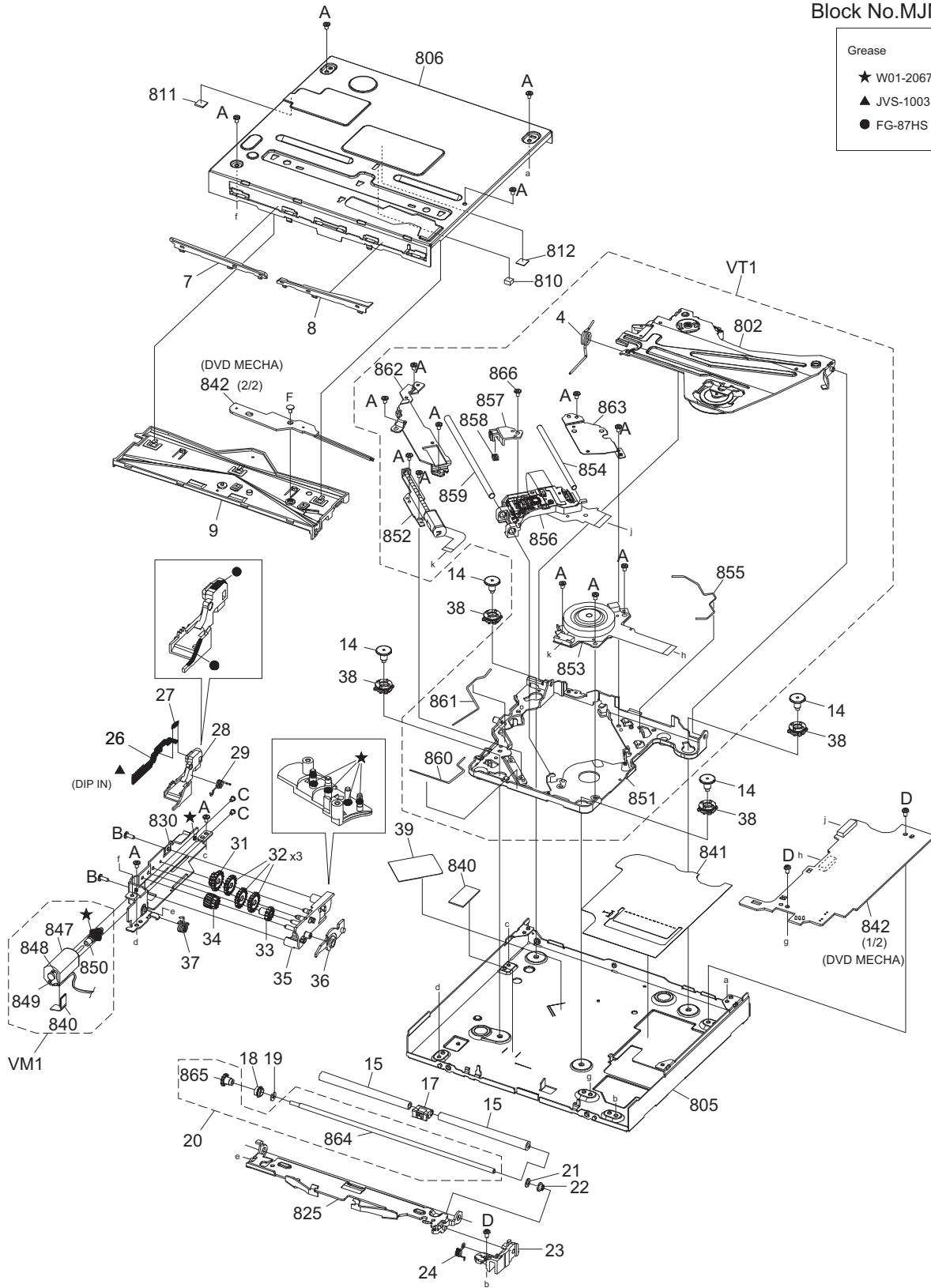
Block No.MJMM

Grease

★ W01-2067-08

▲ JVS-1003

● FG-87HS



Parts with the exploded numbers larger than 800 are not supplied.

MODEL	MARK	MODEL	MARK
KW-V960BW	K0_A	KW-V960BW	K0_B

Safe	Symbol No.	Parts No.	Parts Name	Description	QTY	Local
------	------------	-----------	------------	-------------	-----	-------

EXPLODED VIEW (DVD MECHANISM: XJJ-075W-00/FD2-3C00NXN) <MJMM>

VM1	CM-MO-FD2MAN	LOADING M ASSY			1	
VT1	CM-FD2-ATM2	TM ASSY			1	
A	LV44959-002A	SPECIAL SCREW			16	
B	LV45727-001A	GEAR SCREW			2	
C	QYSPSPU1425MA	SCREW	M1.4 x 2.5mm		2	
D	VKZ4539-054	MINI SCREW			3	
F	LV44586-001A	SPECIAL SCREW			1	
4	LV45709-002A	CLAMP SPRING			1	
7	LV23006-002A	GUIDE 2 L			1	
8	LV23007-002A	GUIDE 2 R			1	
9	LV11842-005A	DISC GUIDE			1	
14	LV45704-001A	DAMPER SHAFT			4	
15	LV45724-001A	RUBBER ROLLER			2	
17	LV37652-002A	SHAFT GUIDE			1	
18	LV39938-002A	GEAR RETAINER			1	
19	LV45730-001A	ROLLER C WASHER			1	
20	CM-FD2-AROS	ROLLAR ASSY			1	
21	LV45731-001A	ROLLER WASHER			1	
22	LV45718-002A	ROLLER RETAINER			1	
23	LV23003-003A	ROLLER HOLDER			1	
24	LV45983-001A	ROLLER SPG L2			1	
26	LV39932-003A	TRIGGER SLIDER			1	
27	LV45715-001A	TRIGGER SPRING			1	
28	LV23004-005A	SLIDER			1	
29	LV39935-003A	SLIDER SPRING			1	
31	LV39929-001A	DRIVE GEAR 4			1	
32	LV39928-001A	DRIVE GEAR 3			3	
33	LV39927-001A	DRIVE GEAR 2			1	
34	LV39926-001A	DRIVE GEAR 1			1	
35	LV23005-002A	GEAR HOLDER			1	
36	LV39923-003A	UD LEVER			1	
37	LV45982-001A	ROLLER SPG R2			1	
38	LV39934-001A	DAMPER			4	
39	LV45719-001A	PU FPC SHEET			1	
802	-----	CLAMP ARM ASSY	NO SERVICE PART		1	
805	-----	BOTTOM CHASSIS	NO SERVICE PART		1	
806	-----	TOP CHASSIS	NO SERVICE PART		1	
810	-----	CLAMPER CUSHION	NO SERVICE PART		1	
811	-----	CL A CUSHION B	NO SERVICE PART		1	
812	-----	CL A CUSHION A	NO SERVICE PART		1	
825	-----	ROLLER ARM	NO SERVICE PART		1	
830	-----	GEAR BKT	NO SERVICE PART		1	
840	-----	SPACER(H)	NO SERVICE PART		2	
841	-----	BOTTOM SHEET	NO SERVICE PART		1	
842	-----	DVD MECHA PWB	NO SERVICE PART		1	
847	-----	LOADING MOTOR	NO SERVICE PART		1	
848	-----	SIN TWIST WIRE	NO SERVICE PART		1	
849	-----	SIN TWIST WIRE	NO SERVICE PART		1	
850	-----	WORM GEAR	NO SERVICE PART		1	
851	-----	TM CHASSIS ASSY	NO SERVICE PART		1	
852	-----	FEED MOTOR	NO SERVICE PART		1	
853	-----	SPINDLE MOTOR	NO SERVICE PART		1	K0_A
853	-----	SPINDLE MOTOR	NO SERVICE PART		1	K0_B
854	-----	SUB SHAFT	NO SERVICE PART		1	
855	-----	SUB SHAFT SP	NO SERVICE PART		1	
856	-----	DVD OPT.PICKUP	NO SERVICE PART		1	
857	-----	PICKUP ARM	NO SERVICE PART		1	
858	-----	PICKUP ARM SP	NO SERVICE PART		1	
859	-----	SHAFT	NO SERVICE PART		1	
860	-----	MAIN SHAFT SP 2	NO SERVICE PART		1	
861	-----	MAIN SHAFT SP	NO SERVICE PART		1	
862	-----	TM COVER MAIN	NO SERVICE PART		1	
863	-----	TM COVER SUB	NO SERVICE PART		1	K0_A
863	-----	TM COVER SUB	NO SERVICE PART		1	K0_B
864	-----	ROLLER SHAFT	NO SERVICE PART		1	
865	-----	ROLLER GEAR	NO SERVICE PART		1	
866	-----	SCREW	NO SERVICE PART		1	

MODEL	MARK	MODEL	MARK
KW-V960BW	K0_A	KW-V960BW	K0_B

Safe	Symbol No.	Parts No.	Parts Name	Description	QTY	Local
MAIN PWB ASSY (XJ1-298K-07) <XJ1>						
	IC1	NJU7108F3	MOS IC		1	K0_A
	IC31	MP9943AGQ	ANALOG IC		1	K0_A
	IC71	MM3411A33NE	ANALOG IC		1	K0_A
	IC72	XC6223B331P-G	ANALOG IC		1	K0_A
	IC73	TC7SET08FUJC	MOS IC		1	K0_A
	IC74	BD82032FVJ-G	ANALOG IC		1	K0_A
	IC75	BD2242G-G	MOS IC		1	K0_A
	IC91	MP9942AGJ	ANALOG IC		1	K0_A
	IC92	TC7SH08FUJC	MOS IC		1	K0_A
	IC93	INA199B3DCK	ANALOG IC		1	K0_A
	IC131	MP9942AGJ	ANALOG IC		1	K0_A
	IC132	TC7SH08FUJC	MOS IC		1	K0_A
	IC133	INA199B3DCK	ANALOG IC		1	K0_A
	IC203	TC7SZ125FUJC	MOS IC		1	K0_A
	IC204	TC7SZ125FUJC	MOS IC		1	K0_A
	IC231	XC6209B502P-G	MOS IC		1	K0_A
	IC252	NJW1341VC3	MOS IC		1	K0_A
	IC261	NJM4580CV	ANALOG IC		1	K0_A
	IC262	NJM8080RB1	ANALOG IC		1	K0_A
	IC301	-----	MCU IC		1	K0_A
	IC302	XC6120N282N-G	MOS IC		1	K0_A
	IC303	NJU7108F3	MOS IC		1	K0_A
	IC501	AK7738VQ	MOS IC		1	K0_A
	IC502	AK4388AET	ANALOG IC		1	K0_A
	IC503	AK4388AET	ANALOG IC		1	K0_A
	IC504	NJM4580CV	ANALOG IC		1	K0_A
	IC506	AK4387ET7	ANALOG IC		1	K0_A
	IC507	XC6209B502P-G	MOS IC		1	K0_A
	IC508	MM3411A33NE	ANALOG IC		1	K0_A
	IC601	NJM8080RB1	ANALOG IC		1	K0_A
	IC602	NJM2871BF05	ANALOG IC		1	K0_A
	IC801	UBX-M8030-KT	MOS IC		1	K0_A
	IC802	NJM2903CRB1	MOS IC		1	K0_A
	IC803	BU33SD5WG	MOS IC		1	K0_A
	IC804	MM3411A18NE	ANALOG IC		1	K0_A
	Q1	MCQ4435	FET		1	K0_A
	Q3	KRC407E-P	DIGI TRANSISTOR		1	K0_A
	Q4	LTC044EEBFS8	DIGI TRANSISTOR		1	K0_A
	Q91	KRC407E-P	DIGI TRANSISTOR		1	K0_A
	Q112	LSCR523EBFS8	TRANSISTOR		1	K0_A
	Q113	LSAR523EBFS8	TRANSISTOR		1	K0_A
	Q114	KRC407E-P	DIGI TRANSISTOR		1	K0_A
	Q115	KRC407E-P	DIGI TRANSISTOR		1	K0_A
	Q116	LTC044EEBFS8	DIGI TRANSISTOR		1	K0_A
	Q117	KRA307E-P	TRANSISTOR		1	K0_A
	Q131	KRC407E-P	DIGI TRANSISTOR		1	K0_A
	Q152	LSCR523EBFS8	TRANSISTOR		1	K0_A
	Q153	LSAR523EBFS8	TRANSISTOR		1	K0_A
	Q154	KRC407E-P	DIGI TRANSISTOR		1	K0_A
	Q155	KRC407E-P	DIGI TRANSISTOR		1	K0_A
	Q156	LTC044EEBFS8	DIGI TRANSISTOR		1	K0_A
	Q157	KRA307E-P	TRANSISTOR		1	K0_A
	Q281	KTC4075P/Y/	TRANSISTOR		1	K0_A
	Q301	2SB1689	TRANSISTOR		1	K0_A
	Q302	KRC407E-P	DIGI TRANSISTOR		1	K0_A
	Q303	KTA2014EP/Y/	TRANSISTOR		1	K0_A
	Q304	KRA307E-P	TRANSISTOR		1	K0_A
	Q305	LTC044EEBFS8	DIGI TRANSISTOR		1	K0_A
	Q306	KRC407E-P	DIGI TRANSISTOR		1	K0_A
	Q307	LTC044EEBFS8	DIGI TRANSISTOR		1	K0_A
	Q308	KRC407E-P	DIGI TRANSISTOR		1	K0_A
	Q309	KRC407E-P	DIGI TRANSISTOR		1	K0_A
	Q310	KTA2014EP/Y/	TRANSISTOR		1	K0_A
	Q311	RE1L002SN	FET		1	K0_A
	Q312	KRC407E-P	DIGI TRANSISTOR		1	K0_A
	Q313	RE1L002SN	FET		1	K0_A
	Q314	KRC407E-P	DIGI TRANSISTOR		1	K0_A
	Q315	KRA307E-P	TRANSISTOR		1	K0_A
	Q501	KRC407E-P	DIGI TRANSISTOR		1	K0_A
	Q502	KRC407E-P	DIGI TRANSISTOR		1	K0_A
	Q801	RQ5A020ZP	FET		1	K0_A
	D1	RB080LAM-30	SCHOTTKY DIODE		1	K0_A
	D2	1SS355-HF	DIODE		1	K0_A
	D3	BZT52B16LSHF	ZENER DIODE		1	K0_A
	D5	BZT52B8V2LSHF	ZENER DIODE		1	K0_A
	D6	BZT52B10LSHF	ZENER DIODE		1	K0_A
	D7	BZT52B16LSHF	ZENER DIODE		1	K0_A
	D72	1SS355-HF	DIODE		1	K0_A
	D91	BZT52B6V2LSHF	ZENER DIODE		1	K0_A
	D131	BZT52B6V2LSHF	ZENER DIODE		1	K0_A
	D202	BZT52B5V6LSHF	ZENER DIODE		1	K0_A
	D203	BZT52B5V6LSHF	ZENER DIODE		1	K0_A
	D204	1SS355-HF	DIODE		1	K0_A
	D301	1SS355-HF	DIODE		1	K0_A
	D502	DAN217UM	DIODE		1	K0_A
	D601	BZT52B11LSHF	ZENER DIODE		1	K0_A
	D602	BZT52B11LSHF	ZENER DIODE		1	K0_A
	D603	1SS355-HF	DIODE		1	K0_A
	D801	1SS355-HF	DIODE		1	K0_A
	C1	CK73HXR1H104K	C CAPACITOR	0.1uF 50V K	1	K0_A
	C2	CK73HXR1H104K	C CAPACITOR	0.1uF 50V K	1	K0_A

MODEL	MARK	MODEL	MARK
KW-V960BW	K0_A	KW-V960BW	K0_B

Safe	Symbol No.	Parts No.	Parts Name	Description	QTY	Local
	C4	CK73HXR1H104K	C CAPACITOR	0.1uF 50V K	1	K0_A
	C5	CD040CP1C222M	E CAPACITOR	2200uF 16V M	1	K0_A
	C6	CK73JXR1H103K	C CAPACITOR	0.01uF 50V K	1	K0_A
	C31	CK73HXR1H104K	C CAPACITOR	0.1uF 50V K	1	K0_A
	C32	CK73JXR1H103K	C CAPACITOR	0.01uF 50V K	1	K0_A
	C33	CK73FXR1E106K	C CAPACITOR	10uF 25V K	1	K0_A
	C34	CK73FXR1E106K	C CAPACITOR	10uF 25V K	1	K0_A
	C35	CK73HXR1H104K	C CAPACITOR	0.1uF 50V K	1	K0_A
	C36	CK73JXR1H103K	C CAPACITOR	0.01uF 50V K	1	K0_A
	C37	CK73JXR1E104K	C CAPACITOR	0.1uF 25V K	1	K0_A
	C38	CK73JXR1E104K	C CAPACITOR	0.1uF 25V K	1	K0_A
	C40	CC73JCH1H560J	C CAPACITOR	56pF 50V J	1	K0_A
	C41	CK73EXR1A476K	C CAPACITOR	47uF 10V K	1	K0_A
	C42	CK73GXR1A106K	C CAPACITOR	10uF 10V K	1	K0_A
	C43	CK73JXR1A104K	C CAPACITOR	0.1uF 10V K	1	K0_A
	C44	CK73JXR1H103K	C CAPACITOR	0.01uF 50V K	1	K0_A
	C45	CC73HCH1H050C	C CAPACITOR	5pF 50V C	1	K0_A
	C46	CC73HCH1H050C	C CAPACITOR	5pF 50V C	1	K0_A
	C47	CC73HCH1H050C	C CAPACITOR	5pF 50V C	1	K0_A
	C71	CK73HXR1C105K	C CAPACITOR	1uF 16V K	1	K0_A
	C72	CK73HXR1C105K	C CAPACITOR	1uF 16V K	1	K0_A
	C73	CK73HXR1C105K	C CAPACITOR	1uF 16V K	1	K0_A
	C74	CK73HXR1C105K	C CAPACITOR	1uF 16V K	1	K0_A
	C75	CK73JXR1H103K	C CAPACITOR	0.01uF 50V K	1	K0_A
	C76	CK73FXR1C106K	C CAPACITOR	10uF 16V K	1	K0_A
	C77	CK73HXR1C105K	C CAPACITOR	1uF 16V K	1	K0_A
	C78	CK73JXR1A104K	C CAPACITOR	0.1uF 10V K	1	K0_A
	C79	CK73HXR1C105K	C CAPACITOR	1uF 16V K	1	K0_A
	C80	CK73JXR1A104K	C CAPACITOR	0.1uF 10V K	1	K0_A
	C91	CK73HXR1H104K	C CAPACITOR	0.1uF 50V K	1	K0_A
	C92	CK73JXR1H103K	C CAPACITOR	0.01uF 50V K	1	K0_A
	C93	CK73FXR1E106K	C CAPACITOR	10uF 25V K	1	K0_A
	C94	CK73FXR1E106K	C CAPACITOR	10uF 25V K	1	K0_A
	C95	CK73HXR1H104K	C CAPACITOR	0.1uF 50V K	1	K0_A
	C96	CK73JXR1H103K	C CAPACITOR	0.01uF 50V K	1	K0_A
	C97	CK73JXR1E104K	C CAPACITOR	0.1uF 25V K	1	K0_A
	C98	CK73JXR1E104K	C CAPACITOR	0.1uF 25V K	1	K0_A
	C100	CC73JCH1H560J	C CAPACITOR	56pF 50V J	1	K0_A
	C101	CK730DT1C476K	C CAPACITOR	47uF 16V K	1	K0_A
	C103	CK73JXR1E104K	C CAPACITOR	0.1uF 25V K	1	K0_A
	C104	CK73JXR1H103K	C CAPACITOR	0.01uF 50V K	1	K0_A
	C105	CK73JXR1H103K	C CAPACITOR	0.01uF 50V K	1	K0_A
	C110	CK73HXR1C105K	C CAPACITOR	1uF 16V K	1	K0_A
	C111	CK73JXR1A104K	C CAPACITOR	0.1uF 10V K	1	K0_A
	C112	CK73HXR1C105K	C CAPACITOR	1uF 16V K	1	K0_A
	C114	CK73JXR1H102K	C CAPACITOR	1000pF 50V K	1	K0_A
	C121	CK730DT1C476K	C CAPACITOR	47uF 16V K	1	K0_A
	C122	CK730DT1C476K	C CAPACITOR	47uF 16V K	1	K0_A
	C123	CK730DT1C476K	C CAPACITOR	47uF 16V K	1	K0_A
	C124	CK73JXR1H103K	C CAPACITOR	0.01uF 50V K	1	K0_A
	C125	CK73JXR1H103K	C CAPACITOR	0.01uF 50V K	1	K0_A
	C126	CK730DT1C476K	C CAPACITOR	47uF 16V K	1	K0_A
	C127	CK730DT1C476K	C CAPACITOR	47uF 16V K	1	K0_A
	C128	CK730DT1C476K	C CAPACITOR	47uF 16V K	1	K0_A
	C131	CK73HXR1H104K	C CAPACITOR	0.1uF 50V K	1	K0_A
	C132	CK73JXR1H103K	C CAPACITOR	0.01uF 50V K	1	K0_A
	C133	CK73FXR1E106K	C CAPACITOR	10uF 25V K	1	K0_A
	C134	CK73FXR1E106K	C CAPACITOR	10uF 25V K	1	K0_A
	C135	CK73HXR1H104K	C CAPACITOR	0.1uF 50V K	1	K0_A
	C136	CK73JXR1H103K	C CAPACITOR	0.01uF 50V K	1	K0_A
	C137	CK73JXR1E104K	C CAPACITOR	0.1uF 25V K	1	K0_A
	C138	CK73JXR1E104K	C CAPACITOR	0.1uF 25V K	1	K0_A
	C140	CC73JCH1H560J	C CAPACITOR	56pF 50V J	1	K0_A
	C141	CK730DT1C476K	C CAPACITOR	47uF 16V K	1	K0_A
	C143	CK73JXR1E104K	C CAPACITOR	0.1uF 25V K	1	K0_A
	C144	CK73JXR1H103K	C CAPACITOR	0.01uF 50V K	1	K0_A
	C145	CK73JXR1H103K	C CAPACITOR	0.01uF 50V K	1	K0_A
	C150	CK73HXR1C105K	C CAPACITOR	1uF 16V K	1	K0_A
	C151	CK73JXR1A104K	C CAPACITOR	0.1uF 10V K	1	K0_A
	C152	CK73HXR1C105K	C CAPACITOR	1uF 16V K	1	K0_A
	C154	CK73JXR1H102K	C CAPACITOR	1000pF 50V K	1	K0_A
	C201	CK73HXR1H104K	C CAPACITOR	0.1uF 50V K	1	K0_A
	C207	CK73JXR1H103K	C CAPACITOR	0.01uF 50V K	1	K0_A
	C208	CK73JXR1H103K	C CAPACITOR	0.01uF 50V K	1	K0_A
	C231	CK73FXR1C106K	C CAPACITOR	10uF 16V K	1	K0_A
	C232	CK73HXR1C105K	C CAPACITOR	1uF 16V K	1	K0_A
	C234	CK73HXR1C105K	C CAPACITOR	1uF 16V K	1	K0_A
	C235	CK73HXR1C105K	C CAPACITOR	1uF 16V K	1	K0_A
	C237	CK73HXR1C105K	C CAPACITOR	1uF 16V K	1	K0_A
	C238	CK73HXR1C105K	C CAPACITOR	1uF 16V K	1	K0_A
	C241	CK73HXR1C105K	C CAPACITOR	1uF 16V K	1	K0_A
	C243	CK73HXR1C105K	C CAPACITOR	1uF 16V K	1	K0_A
	C246	CK73HXR1C105K	C CAPACITOR	1uF 16V K	1	K0_A
	C248	CK73HXR1C105K	C CAPACITOR	1uF 16V K	1	K0_A
	C250	CK73HXR1C105K	C CAPACITOR	1uF 16V K	1	K0_A
	C252	CK73JXR1A104K	C CAPACITOR	0.1uF 10V K	1	K0_A
	C253	CE32BJC470M	E CAPACITOR	47uF 16V M	1	K0_A
	C254	CK73JXR1A104K	C CAPACITOR	0.1uF 10V K	1	K0_A
	C255	CK73HXR1C105K	C CAPACITOR	1uF 16V K	1	K0_A
	C259	CK73HXR1C105K	C CAPACITOR	1uF 16V K	1	K0_A
	C261	CC73HCH1H221J	C CAPACITOR	220pF 50V J	1	K0_A
	C262	CK73HXR1H104K	C CAPACITOR	0.1uF 50V K	1	K0_A

MODEL	MARK	MODEL	MARK
KW-V960BW	K0_A	KW-V960BW	K0_B

Safe	Symbol No.	Parts No.	Parts Name	Description	QTY	Local
	C263	CK73HXR1H102K	C CAPACITOR	1000pF 50V K	1	K0_A
	C264	CK73HXR1H102K	C CAPACITOR	1000pF 50V K	1	K0_A
	C265	CK73GXR1E225K	C CAPACITOR	2.2uF 25V K	1	K0_A
	C266	CK73GXR1E225K	C CAPACITOR	2.2uF 25V K	1	K0_A
	C267	CK73GXR1E225K	C CAPACITOR	2.2uF 25V K	1	K0_A
	C268	CK73GXR1E225K	C CAPACITOR	2.2uF 25V K	1	K0_A
	C269	CC73JCH1E331J	C CAPACITOR	330pF 25V J	1	K0_A
	C270	CC73JCH1E331J	C CAPACITOR	330pF 25V J	1	K0_A
	C271	CC73JCH1H181J	C CAPACITOR	180pF 50V J	1	K0_A
	C272	CC73JCH1H181J	C CAPACITOR	180pF 50V J	1	K0_A
	C273	CC73JCH1H181J	C CAPACITOR	180pF 50V J	1	K0_A
	C274	CC73JCH1H181J	C CAPACITOR	180pF 50V J	1	K0_A
	C275	CK73FXR1C106K	C CAPACITOR	10uF 16V K	1	K0_A
	C276	CK73HXR1C105K	C CAPACITOR	1uF 16V K	1	K0_A
	C277	CK73HXR1C105K	C CAPACITOR	1uF 16V K	1	K0_A
	C282	CK73FXR1C106K	C CAPACITOR	10uF 16V K	1	K0_A
	C283	CK73FXR0J226M	C CAPACITOR	22uF 6.3V M	1	K0_A
	C284	CK73HXR0J224K	C CAPACITOR	0.22uF 6.3V K	1	K0_A
	C301	CE32CC1C221M	E CAPACITOR	220uF 16V M	1	K0_A
	C302	CE32CC1C221M	E CAPACITOR	220uF 16V M	1	K0_A
	C303	CK73GXR0J106K	C CAPACITOR	10uF 6.3V K	1	K0_A
	C304	CK73JXR1H222K	C CAPACITOR	2200pF 50V K	1	K0_A
	C305	CK73JXR1A104K	C CAPACITOR	0.1uF 10V K	1	K0_A
	C306	CK73JXR1A104K	C CAPACITOR	0.1uF 10V K	1	K0_A
	C307	CK73JXR1A104K	C CAPACITOR	0.1uF 10V K	1	K0_A
	C309	CC73HCH1H100D	C CAPACITOR	10pF 50V D	1	K0_A
	C310	CC73HCH1H100D	C CAPACITOR	10pF 50V D	1	K0_A
	C312	CK73JXR1A104K	C CAPACITOR	0.1uF 10V K	1	K0_A
	C313	CK73JXR1H103K	C CAPACITOR	0.01uF 50V K	1	K0_A
	C314	CK73JXR1H103K	C CAPACITOR	0.01uF 50V K	1	K0_A
	C315	CK73JXR1H103K	C CAPACITOR	0.01uF 50V K	1	K0_A
	C316	CK73JXR1H103K	C CAPACITOR	0.01uF 50V K	1	K0_A
	C317	CK73JXR1A104K	C CAPACITOR	0.1uF 10V K	1	K0_A
	C318	CK73JXR1A104K	C CAPACITOR	0.1uF 10V K	1	K0_A
	C319	CK73JXR1A104K	C CAPACITOR	0.1uF 10V K	1	K0_A
	C321	CK73HXR1C105K	C CAPACITOR	1uF 16V K	1	K0_A
	C322	CK73JXR1A104K	C CAPACITOR	0.1uF 10V K	1	K0_A
	C323	CK73JXR1A104K	C CAPACITOR	0.1uF 10V K	1	K0_A
	C324	CK73JXR1A104K	C CAPACITOR	0.1uF 10V K	1	K0_A
	C325	CK73EXR0J476M	C CAPACITOR	47uF 6.3V M	1	K0_A
	C326	CK73EXR0J476M	C CAPACITOR	47uF 6.3V M	1	K0_A
	C327	CK73EXR0J476M	C CAPACITOR	47uF 6.3V M	1	K0_A
	C328	CK73EXR0J476M	C CAPACITOR	47uF 6.3V M	1	K0_A
	C329	CK73EXR0J476M	C CAPACITOR	47uF 6.3V M	1	K0_A
	C330	CK73EXR0J476M	C CAPACITOR	47uF 6.3V M	1	K0_A
	C331	CK73JXR1H103K	C CAPACITOR	0.01uF 50V K	1	K0_A
	C332	CK73JXR1A104K	C CAPACITOR	0.1uF 10V K	1	K0_A
	C413	CK73HXR1H102K	C CAPACITOR	1000pF 50V K	1	K0_A
	C431	CE32CC1C221M	E CAPACITOR	220uF 16V M	1	K0_A
	C434	CK73HXR1H104K	C CAPACITOR	0.1uF 50V K	1	K0_A
	C435	CK73JXR1H103K	C CAPACITOR	0.01uF 50V K	1	K0_A
	C436	CK73HXR1E223K	C CAPACITOR	0.022uF 25V K	1	K0_A
	C437	CK73HXR1E223K	C CAPACITOR	0.022uF 25V K	1	K0_A
	C438	CK73FXR0J226M	C CAPACITOR	22uF 6.3V M	1	K0_A
	C501	CK73HXR1C105K	C CAPACITOR	1uF 16V K	1	K0_A
	C502	CK73HXR1C105K	C CAPACITOR	1uF 16V K	1	K0_A
	C503	CC73JCH1H151J	C CAPACITOR	150pF 50V J	1	K0_A
	C504	CC73JCH1H151J	C CAPACITOR	150pF 50V J	1	K0_A
	C505	CK73HXR1C105K	C CAPACITOR	1uF 16V K	1	K0_A
	C506	CK73HXR1C105K	C CAPACITOR	1uF 16V K	1	K0_A
	C507	CK73HXR1C105K	C CAPACITOR	1uF 16V K	1	K0_A
	C508	CK73HXR1H104K	C CAPACITOR	0.1uF 50V K	1	K0_A
	C511	CK73FXR1C106K	C CAPACITOR	10uF 16V K	1	K0_A
	C512	CK73HXR1H222K	C CAPACITOR	2200pF 50V K	1	K0_A
	C513	CK73HXR1H222K	C CAPACITOR	2200pF 50V K	1	K0_A
	C514	CK73HXR1H222K	C CAPACITOR	2200pF 50V K	1	K0_A
	C515	CK73HXR1H222K	C CAPACITOR	2200pF 50V K	1	K0_A
	C516	CK73GXR1A106K	C CAPACITOR	10uF 10V K	1	K0_A
	C517	CK73HXR1C105K	C CAPACITOR	1uF 16V K	1	K0_A
	C518	CK73HXR1C105K	C CAPACITOR	1uF 16V K	1	K0_A
	C519	CK73JXR1A104K	C CAPACITOR	0.1uF 10V K	1	K0_A
	C520	CK73JXR1A104K	C CAPACITOR	0.1uF 10V K	1	K0_A
	C521	CK73GXR0J106K	C CAPACITOR	10uF 6.3V K	1	K0_A
	C522	CK73GXR1A106K	C CAPACITOR	10uF 10V K	1	K0_A
	C523	CK73HXR1H222K	C CAPACITOR	2200pF 50V K	1	K0_A
	C524	CK73HXR1H222K	C CAPACITOR	2200pF 50V K	1	K0_A
	C525	CK73HXR1H222K	C CAPACITOR	2200pF 50V K	1	K0_A
	C526	CK73HXR1H222K	C CAPACITOR	2200pF 50V K	1	K0_A
	C527	CK73JXR1A104K	C CAPACITOR	0.1uF 10V K	1	K0_A
	C528	CK73GXR1A106K	C CAPACITOR	10uF 10V K	1	K0_A
	C529	CK73HXR1C105K	C CAPACITOR	1uF 16V K	1	K0_A
	C530	CK73JXR1A104K	C CAPACITOR	0.1uF 10V K	1	K0_A
	C531	CK73GXR1A106K	C CAPACITOR	10uF 10V K	1	K0_A
	C532	CK73JXR1A104K	C CAPACITOR	0.1uF 10V K	1	K0_A
	C533	CK73GXR1A106K	C CAPACITOR	10uF 10V K	1	K0_A
	C534	CK73GXR1C225K	C CAPACITOR	2.2uF 16V K	1	K0_A
	C535	CK73JXR1A104K	C CAPACITOR	0.1uF 10V K	1	K0_A
	C536	CK73GXR1A106K	C CAPACITOR	10uF 10V K	1	K0_A
	C537	CK73JXR1A104K	C CAPACITOR	0.1uF 10V K	1	K0_A
	C538	CK73GXR1A106K	C CAPACITOR	10uF 10V K	1	K0_A
	C539	CK73JXR1A104K	C CAPACITOR	0.1uF 10V K	1	K0_A
	C540	CK73GXR1A106K	C CAPACITOR	10uF 10V K	1	K0_A
	C541	CK73GXR1E225K	C CAPACITOR	2.2uF 25V K	1	K0_A

MODEL	MARK	MODEL	MARK
KW-V960BW	K0_A	KW-V960BW	K0_B

Safe	Symbol No.	Parts No.	Parts Name	Description	QTY	Local
	C542	CK73JXR1A104K	C CAPACITOR	0.1uF 10V K	1	K0_A
	C543	CK73GXR1A106K	C CAPACITOR	10uF 10V K	1	K0_A
	C544	CK73HXR1A104K	C CAPACITOR	0.1uF 10V K	1	K0_A
	C545	CK73HXR1A104K	C CAPACITOR	0.1uF 10V K	1	K0_A
	C549	CC73HCH1H120J	C CAPACITOR	12pF 50V J	1	K0_A
	C550	CC73HCH1H120J	C CAPACITOR	12pF 50V J	1	K0_A
	C551	CK73GXR0J106K	C CAPACITOR	10uF 6.3V K	1	K0_A
	C552	CK73GXR1A106K	C CAPACITOR	10uF 10V K	1	K0_A
	C553	CK73JXR1A104K	C CAPACITOR	0.1uF 10V K	1	K0_A
	C554	CK73GXR0J106K	C CAPACITOR	10uF 6.3V K	1	K0_A
	C558	CK73HXR1H332K	C CAPACITOR	3300pF 50V K	1	K0_A
	C559	CK73HXR1H332K	C CAPACITOR	3300pF 50V K	1	K0_A
	C560	CK73HXR1H332K	C CAPACITOR	3300pF 50V K	1	K0_A
	C561	CK73HXR1H222K	C CAPACITOR	2200pF 50V K	1	K0_A
	C562	CK73HXR1H222K	C CAPACITOR	2200pF 50V K	1	K0_A
	C563	CK73HXR1H222K	C CAPACITOR	2200pF 50V K	1	K0_A
	C564	CK73HXR1H222K	C CAPACITOR	2200pF 50V K	1	K0_A
	C565	CK73HXR1H222K	C CAPACITOR	2200pF 50V K	1	K0_A
	C566	CK73HXR1H222K	C CAPACITOR	2200pF 50V K	1	K0_A
	C567	CK73HXR1H222K	C CAPACITOR	2200pF 50V K	1	K0_A
	C568	CK73HXR1H222K	C CAPACITOR	2200pF 50V K	1	K0_A
	C571	CK73GXR0J106K	C CAPACITOR	10uF 6.3V K	1	K0_A
	C572	CK73HXR1C105K	C CAPACITOR	1uF 16V K	1	K0_A
	C602	CK73HXR1C105K	C CAPACITOR	1uF 16V K	1	K0_A
	C603	CK73HXR1H102K	C CAPACITOR	1000pF 50V K	1	K0_A
	C605	CK73HXR1C105K	C CAPACITOR	1uF 16V K	1	K0_A
	C606	CK73HXR1C105K	C CAPACITOR	1uF 16V K	1	K0_A
	C607	CC73HCH1H220J	C CAPACITOR	22pF 50V J	1	K0_A
	C609	CC73HCH1H220J	C CAPACITOR	22pF 50V J	1	K0_A
	C611	CK73JXR1E104K	C CAPACITOR	0.1uF 25V K	1	K0_A
	C613	CK73EXR1A476K	C CAPACITOR	47uF 10V K	1	K0_A
	C615	CK73HXR1A683K	C CAPACITOR	0.068uF 10V K	1	K0_A
	C616	CK73HXR1A683K	C CAPACITOR	0.068uF 10V K	1	K0_A
	C617	CK730DT1C476K	C CAPACITOR	47uF 16V K	1	K0_A
	C620	CK73HXR1H104K	C CAPACITOR	0.1uF 50V K	1	K0_A
	C621	CK73HXR1C105K	C CAPACITOR	1uF 16V K	1	K0_A
	C622	CK73HXR1C105K	C CAPACITOR	1uF 16V K	1	K0_A
	C623	CK73JXR1H103K	C CAPACITOR	0.01uF 50V K	1	K0_A
	C624	CK73GXR1A106K	C CAPACITOR	10uF 10V K	1	K0_A
	C625	CK73GXR1A106K	C CAPACITOR	10uF 10V K	1	K0_A
	C801	CK73JXR1H103K	C CAPACITOR	0.01uF 50V K	1	K0_A
	C802	CC73HCH1H470J	C CAPACITOR	47pF 50V J	1	K0_A
	C803	CC730BP1H1R8B	C CAPACITOR	1.8pF 50V B	1	K0_A
	C804	CK73HXR1C105K	C CAPACITOR	1uF 16V K	1	K0_A
	C805	CK73HXR1C105K	C CAPACITOR	1uF 16V K	1	K0_A
	C806	CK73HXR1C105K	C CAPACITOR	1uF 16V K	1	K0_A
	C807	CK73GXR1E225K	C CAPACITOR	2.2uF 25V K	1	K0_A
	C808	CK73HXR1C105K	C CAPACITOR	1uF 16V K	1	K0_A
	C809	CK73HXR1C105K	C CAPACITOR	1uF 16V K	1	K0_A
	C810	CC73HCH1H060D	C CAPACITOR	6pF 50V D	1	K0_A
	C811	CC73HCH1H070D	C CAPACITOR	7pF 50V D	1	K0_A
	C812	CC73JCH1H120J	C CAPACITOR	12pF 50V J	1	K0_A
	C813	CC73JCH1H120J	C CAPACITOR	12pF 50V J	1	K0_A
	C814	CK73HXR1C105K	C CAPACITOR	1uF 16V K	1	K0_A
	C815	CK73HXR1C105K	C CAPACITOR	1uF 16V K	1	K0_A
	C816	CK73HXR1C105K	C CAPACITOR	1uF 16V K	1	K0_A
	C817	CK73HXR1C105K	C CAPACITOR	1uF 16V K	1	K0_A
	C818	CK73HXR1C105K	C CAPACITOR	1uF 16V K	1	K0_A
	C819	CK73HXR1C105K	C CAPACITOR	1uF 16V K	1	K0_A
	C820	CK73HXR1C105K	C CAPACITOR	1uF 16V K	1	K0_A
	R1	RK73GB2A103J	MG RESISTOR	10kΩ 1/10W J	1	K0_A
	R2	RK73GB2A202J	MG RESISTOR	2kΩ 1/10W J	1	K0_A
	R3	RK73HB1J334J	MG RESISTOR	330kΩ 1/16W J	1	K0_A
	R8	RK73HH1J223D	MG RESISTOR	22kΩ 1/16W D	1	K0_A
	R9	RK73HH1J184D	MG RESISTOR	180kΩ 1/16W D	1	K0_A
	R10	RK73HH1J393D	MG RESISTOR	39kΩ 1/16W D	1	K0_A
	R11	RK73HH1J392D	MG RESISTOR	3.9kΩ 1/16W D	1	K0_A
	R12	RK73HH1J104D	MG RESISTOR	100kΩ 1/16W D	1	K0_A
	R13	RK73HH1J563D	MG RESISTOR	56kΩ 1/16W D	1	K0_A
	R14	RK73HH1J753D	MG RESISTOR	75kΩ 1/16W D	1	K0_A
	R15	RK73HH1J561D	MG RESISTOR	560Ω 1/16W D	1	K0_A
	R31	RK73GB2A200J	MG RESISTOR	20Ω 1/10W J	1	K0_A
	R33	RK73HB1J333J	MG RESISTOR	33kΩ 1/16W J	1	K0_A
	R34	RK73HB1J000J	MG RESISTOR	0Ω 1/16W J	1	K0_A
	R36	RK73HH1J393D	MG RESISTOR	39kΩ 1/16W D	1	K0_A
	R37	RK73HH1J222D	MG RESISTOR	2.2kΩ 1/16W D	1	K0_A
	R38	RK73HH1J752D	MG RESISTOR	7.5kΩ 1/16W D	1	K0_A
	R39	RK73HH1J221D	MG RESISTOR	220Ω 1/16W D	1	K0_A
	R40	RK73HB1J101J	MG RESISTOR	100Ω 1/16W J	1	K0_A
	R41	RK73HH1J100D	MG RESISTOR	10Ω 1/16W D	1	K0_A
	R75	RK73HB1J101J	MG RESISTOR	100Ω 1/16W J	1	K0_A
	R77	RK73HB1J272J	MG RESISTOR	2.7kΩ 1/16W J	1	K0_A
	R78	RK73HB1J223J	MG RESISTOR	22kΩ 1/16W J	1	K0_A
	R80	RK73GB2A331J	MG RESISTOR	330Ω 1/10W J	1	K0_A
	R91	RK73GB2A200J	MG RESISTOR	20Ω 1/10W J	1	K0_A
	R92	RK73HB1J473J	MG RESISTOR	47kΩ 1/16W J	1	K0_A
	R94	RK73HB1J333J	MG RESISTOR	33kΩ 1/16W J	1	K0_A
	R95	RK73HB1J000J	MG RESISTOR	0Ω 1/16W J	1	K0_A
	R96	RK73HH1J100D	MG RESISTOR	10Ω 1/16W D	1	K0_A
	R97	RK73HH1J393D	MG RESISTOR	39kΩ 1/16W D	1	K0_A
	R98	RK73HH1J222D	MG RESISTOR	2.2kΩ 1/16W D	1	K0_A
	R99	RK73HH1J752D	MG RESISTOR	7.5kΩ 1/16W D	1	K0_A

MODEL	MARK	MODEL	MARK
KW-V960BW	K0_A	KW-V960BW	K0_B

Safe	Symbol No.	Parts No.	Parts Name	Description	QTY	Local
	R100	RK73HB1J000J	MG RESISTOR	0Ω 1/16W J	1	K0_A
	R101	RK73EB2E151J	MG RESISTOR	150Ω 1/4W J	1	K0_A
	R102	RK73HB1J223J	MG RESISTOR	22kΩ 1/16W J	1	K0_A
	R104	RK73HB1J101J	MG RESISTOR	100Ω 1/16W J	1	K0_A
	R105	RK73HB1J272J	MG RESISTOR	2.7kΩ 1/16W J	1	K0_A
	R106	RK73HB1J102J	MG RESISTOR	1kΩ 1/16W J	1	K0_A
	R110	RZ73F0CH30LJ	RESISTOR	0.03Ω 1/3W J	1	K0_A
	R111	RZ73F0CH30LJ	RESISTOR	0.03Ω 1/3W J	1	K0_A
	R112	RK73HB1J100J	MG RESISTOR	10Ω 1/16W J	1	K0_A
	R113	RK73HB1J100J	MG RESISTOR	10Ω 1/16W J	1	K0_A
	R114	RK73HB1J101J	MG RESISTOR	100Ω 1/16W J	1	K0_A
	R119	RK73HH1J102D	MG RESISTOR	1kΩ 1/16W D	1	K0_A
	R120	RK73HH1J104D	MG RESISTOR	100kΩ 1/16W D	1	K0_A
	R121	RK73HB1J224J	MG RESISTOR	220kΩ 1/16W J	1	K0_A
	R122	RK73HB1J224J	MG RESISTOR	220kΩ 1/16W J	1	K0_A
	R125	RK73HB1J223J	MG RESISTOR	22kΩ 1/16W J	1	K0_A
	R126	RZ73F0CH30LJ	RESISTOR	0.03Ω 1/3W J	1	K0_A
	R127	RZ73F0CH30LJ	RESISTOR	0.03Ω 1/3W J	1	K0_A
	R131	RK73GB2A200J	MG RESISTOR	20Ω 1/10W J	1	K0_A
	R132	RK73HB1J473J	MG RESISTOR	47kΩ 1/16W J	1	K0_A
	R134	RK73HB1J333J	MG RESISTOR	33kΩ 1/16W J	1	K0_A
	R135	RK73HB1J000J	MG RESISTOR	0Ω 1/16W J	1	K0_A
	R136	RK73HH1J100D	MG RESISTOR	10Ω 1/16W D	1	K0_A
	R137	RK73HH1J393D	MG RESISTOR	39kΩ 1/16W D	1	K0_A
	R138	RK73HH1J222D	MG RESISTOR	2.2kΩ 1/16W D	1	K0_A
	R139	RK73HH1J752D	MG RESISTOR	7.5kΩ 1/16W D	1	K0_A
	R140	RK73HB1J000J	MG RESISTOR	0Ω 1/16W J	1	K0_A
	R141	RK73EB2E151J	MG RESISTOR	150Ω 1/4W J	1	K0_A
	R142	RK73HB1J223J	MG RESISTOR	22kΩ 1/16W J	1	K0_A
	R144	RK73HB1J101J	MG RESISTOR	100Ω 1/16W J	1	K0_A
	R145	RK73HB1J272J	MG RESISTOR	2.7kΩ 1/16W J	1	K0_A
	R146	RK73HB1J102J	MG RESISTOR	1kΩ 1/16W J	1	K0_A
	R150	RZ73F0CH30LJ	RESISTOR	0.03Ω 1/3W J	1	K0_A
	R151	RZ73F0CH30LJ	RESISTOR	0.03Ω 1/3W J	1	K0_A
	R152	RK73HB1J100J	MG RESISTOR	10Ω 1/16W J	1	K0_A
	R153	RK73HB1J100J	MG RESISTOR	10Ω 1/16W J	1	K0_A
	R154	RK73HB1J101J	MG RESISTOR	100Ω 1/16W J	1	K0_A
	R159	RK73HH1J102D	MG RESISTOR	1kΩ 1/16W D	1	K0_A
	R160	RK73HH1J104D	MG RESISTOR	100kΩ 1/16W D	1	K0_A
	R161	RK73HB1J224J	MG RESISTOR	220kΩ 1/16W J	1	K0_A
	R162	RK73HB1J224J	MG RESISTOR	220kΩ 1/16W J	1	K0_A
	R165	RK73HB1J223J	MG RESISTOR	22kΩ 1/16W J	1	K0_A
	R166	RZ73F0CH30LJ	RESISTOR	0.03Ω 1/3W J	1	K0_A
	R167	RZ73F0CH30LJ	RESISTOR	0.03Ω 1/3W J	1	K0_A
	R209	RK73GB2A101J	MG RESISTOR	100Ω 1/10W J	1	K0_A
	R210	RK73GB2A101J	MG RESISTOR	100Ω 1/10W J	1	K0_A
	R211	RK73HB1J473J	MG RESISTOR	47kΩ 1/16W J	1	K0_A
	R213	RK73HB1J101J	MG RESISTOR	100Ω 1/16W J	1	K0_A
	R214	RK73HB1J223J	MG RESISTOR	22kΩ 1/16W J	1	K0_A
	R232	RK73HB1J100J	MG RESISTOR	10Ω 1/16W J	1	K0_A
	R233	RK73HB1J100J	MG RESISTOR	10Ω 1/16W J	1	K0_A
	R236	RK73HB1J000J	MG RESISTOR	0Ω 1/16W J	1	K0_A
	R237	RK73HH1J201D	MG RESISTOR	200Ω 1/16W D	1	K0_A
	R239	RK73HH1J391D	MG RESISTOR	390Ω 1/16W D	1	K0_A
	R240	RK73HB1J000J	MG RESISTOR	0Ω 1/16W J	1	K0_A
	R241	RK73HB1J220J	MG RESISTOR	22Ω 1/16W J	1	K0_A
	R242	RK73HB1J220J	MG RESISTOR	22Ω 1/16W J	1	K0_A
	R243	RK73HH1J683D	MG RESISTOR	68kΩ 1/16W D	1	K0_A
	R244	RK73HH1J683D	MG RESISTOR	68kΩ 1/16W D	1	K0_A
	R248	RK73HB1J000J	MG RESISTOR	0Ω 1/16W J	1	K0_A
	R251	RK73HB1J101J	MG RESISTOR	100Ω 1/16W J	1	K0_A
	R252	RK73HB1J101J	MG RESISTOR	100Ω 1/16W J	1	K0_A
	R253	RK73GB2A000J	MG RESISTOR	0Ω 1/10W J	1	K0_A
	R261	RK73GB2A000J	MG RESISTOR	0Ω 1/10W J	1	K0_A
	R262	RK73HB1J4R7J	MG RESISTOR	4.7Ω 1/16W J	1	K0_A
	R263	RK73HB1J223J	MG RESISTOR	22kΩ 1/16W J	1	K0_A
	R264	RK73HB1J223J	MG RESISTOR	22kΩ 1/16W J	1	K0_A
	R265	RK73HB1J100J	MG RESISTOR	10Ω 1/16W J	1	K0_A
	R266	RK73HB1J100J	MG RESISTOR	10Ω 1/16W J	1	K0_A
	R267	RK73HH1J183D	MG RESISTOR	18kΩ 1/16W D	1	K0_A
	R268	RK73HH1J183D	MG RESISTOR	18kΩ 1/16W D	1	K0_A
	R269	RK73HH1J183D	MG RESISTOR	18kΩ 1/16W D	1	K0_A
	R270	RK73HH1J183D	MG RESISTOR	18kΩ 1/16W D	1	K0_A
	R271	RK73HH1J752D	MG RESISTOR	7.5kΩ 1/16W D	1	K0_A
	R272	RK73HH1J752D	MG RESISTOR	7.5kΩ 1/16W D	1	K0_A
	R273	RK73HH1J123D	MG RESISTOR	12kΩ 1/16W D	1	K0_A
	R274	RK73HH1J123D	MG RESISTOR	12kΩ 1/16W D	1	K0_A
	R275	RK73HH1J752D	MG RESISTOR	7.5kΩ 1/16W D	1	K0_A
	R276	RK73HH1J752D	MG RESISTOR	7.5kΩ 1/16W D	1	K0_A
	R277	RK73HH1J123D	MG RESISTOR	12kΩ 1/16W D	1	K0_A
	R278	RK73HH1J123D	MG RESISTOR	12kΩ 1/16W D	1	K0_A
	R279	RK73HB1J103J	MG RESISTOR	10kΩ 1/16W J	1	K0_A
	R280	RK73HB1J393J	MG RESISTOR	39kΩ 1/16W J	1	K0_A
	R281	RK73HB1J100J	MG RESISTOR	10Ω 1/16W J	1	K0_A
	R282	RK73HB1J100J	MG RESISTOR	10Ω 1/16W J	1	K0_A
	R283	RK73GB2A000J	MG RESISTOR	0Ω 1/10W J	1	K0_A
	R284	RK73HB1J303J	MG RESISTOR	30kΩ 1/16W J	1	K0_A
	R285	RK73HB1J303J	MG RESISTOR	30kΩ 1/16W J	1	K0_A
	R286	RK73HH1J750D	MG RESISTOR	75Ω 1/16W D	1	K0_A
	R288	RK73HB1J750J	MG RESISTOR	75Ω 1/16W J	1	K0_A
	R289	RK73HB1J100J	MG RESISTOR	10Ω 1/16W J	1	K0_A
	R301	RK73HB1J102J	MG RESISTOR	1kΩ 1/16W J	1	K0_A

MODEL	MARK	MODEL	MARK
KW-V960BW	K0_A	KW-V960BW	K0_B

Safe	Symbol No.	Parts No.	Parts Name	Description	QTY	Local
	R302	RK73HB1J101J	MG RESISTOR	100Ω 1/16W J	1	K0_A
	R303	RK73HB1J223J	MG RESISTOR	22kΩ 1/16W J	1	K0_A
	R304	RK73HB1J101J	MG RESISTOR	100Ω 1/16W J	1	K0_A
	R305	RK73HB1J101J	MG RESISTOR	100Ω 1/16W J	1	K0_A
	R306	RK73HB1J101J	MG RESISTOR	100Ω 1/16W J	1	K0_A
	R307	RK73HB1J101J	MG RESISTOR	100Ω 1/16W J	1	K0_A
	R310	RK73HB1J152J	MG RESISTOR	1.5kΩ 1/16W J	1	K0_A
	R311	RK73HB1J101J	MG RESISTOR	100Ω 1/16W J	1	K0_A
	R312	RK73HB1J473J	MG RESISTOR	47kΩ 1/16W J	1	K0_A
	R313	RK73HB1J101J	MG RESISTOR	100Ω 1/16W J	1	K0_A
	R314	RK73HB1J473J	MG RESISTOR	47kΩ 1/16W J	1	K0_A
	R315	RK73HB1J101J	MG RESISTOR	100Ω 1/16W J	1	K0_A
	R316	RK73HB1J473J	MG RESISTOR	47kΩ 1/16W J	1	K0_A
	R317	RK73HB1J272J	MG RESISTOR	2.7kΩ 1/16W J	1	K0_A
	R318	RK73HB1J104J	MG RESISTOR	100kΩ 1/16W J	1	K0_A
	R319	RK73HB1J104J	MG RESISTOR	100kΩ 1/16W J	1	K0_A
	R320	RK73HB1J473J	MG RESISTOR	47kΩ 1/16W J	1	K0_A
	R321	RK73HB1J101J	MG RESISTOR	100Ω 1/16W J	1	K0_A
	R322	RK73HB1J103J	MG RESISTOR	10kΩ 1/16W J	1	K0_A
	R323	RK73HB1J101J	MG RESISTOR	100Ω 1/16W J	1	K0_A
	R324	RK73HB1J101J	MG RESISTOR	100Ω 1/16W J	1	K0_A
	R325	RK73HB1J101J	MG RESISTOR	100Ω 1/16W J	1	K0_A
	R326	RK73HB1J101J	MG RESISTOR	100Ω 1/16W J	1	K0_A
	R327	RK73HB1J473J	MG RESISTOR	47kΩ 1/16W J	1	K0_A
	R328	RK73HB1J101J	MG RESISTOR	100Ω 1/16W J	1	K0_A
	R329	RK73HB1J473J	MG RESISTOR	47kΩ 1/16W J	1	K0_A
	R331	RK73HB1J101J	MG RESISTOR	100Ω 1/16W J	1	K0_A
	R332	RK73HB1J473J	MG RESISTOR	47kΩ 1/16W J	1	K0_A
	R333	RK73HB1J101J	MG RESISTOR	100Ω 1/16W J	1	K0_A
	R334	RK73HB1J101J	MG RESISTOR	100Ω 1/16W J	1	K0_A
	R335	RK73HB1J223J	MG RESISTOR	22kΩ 1/16W J	1	K0_A
	R336	RK73HB1J101J	MG RESISTOR	100Ω 1/16W J	1	K0_A
	R337	RK73HB1J101J	MG RESISTOR	100Ω 1/16W J	1	K0_A
	R338	RK73HB1J101J	MG RESISTOR	100Ω 1/16W J	1	K0_A
	R339	RK73HB1J101J	MG RESISTOR	100Ω 1/16W J	1	K0_A
	R340	RK73HB1J102J	MG RESISTOR	1kΩ 1/16W J	1	K0_A
	R341	RK73HB1J223J	MG RESISTOR	22kΩ 1/16W J	1	K0_A
	R342	RK73HB1J101J	MG RESISTOR	100Ω 1/16W J	1	K0_A
	R343	RK73HB1J101J	MG RESISTOR	100Ω 1/16W J	1	K0_A
	R344	RK73HB1J102J	MG RESISTOR	1kΩ 1/16W J	1	K0_A
	R345	RK73HB1J223J	MG RESISTOR	22kΩ 1/16W J	1	K0_A
	R346	RK73HB1J101J	MG RESISTOR	100Ω 1/16W J	1	K0_A
	R347	RK73HB1J102J	MG RESISTOR	1kΩ 1/16W J	1	K0_A
	R348	RK73HB1J223J	MG RESISTOR	22kΩ 1/16W J	1	K0_A
	R349	RK73HB1J101J	MG RESISTOR	100Ω 1/16W J	1	K0_A
	R350	RK73HB1J223J	MG RESISTOR	22kΩ 1/16W J	1	K0_A
	R351	RK73HB1J222J	MG RESISTOR	2.2kΩ 1/16W J	1	K0_A
	R352	RK73HB1J222J	MG RESISTOR	2.2kΩ 1/16W J	1	K0_A
	R353	RK73HB1J102J	MG RESISTOR	1kΩ 1/16W J	1	K0_A
	R354	RK73HB1J101J	MG RESISTOR	100Ω 1/16W J	1	K0_A
	R355	RK73HB1J102J	MG RESISTOR	1kΩ 1/16W J	1	K0_A
	R356	RK73HB1J101J	MG RESISTOR	100Ω 1/16W J	1	K0_A
	R357	RK73HB1J101J	MG RESISTOR	100Ω 1/16W J	1	K0_A
	R358	RK73HB1J101J	MG RESISTOR	100Ω 1/16W J	1	K0_A
	R359	RK73HB1J103J	MG RESISTOR	10kΩ 1/16W J	1	K0_A
	R360	RK73HB1J473J	MG RESISTOR	47kΩ 1/16W J	1	K0_A
	R362	RK73HB1J103J	MG RESISTOR	10kΩ 1/16W J	1	K0_A
	R363	RK73HB1J103J	MG RESISTOR	10kΩ 1/16W J	1	K0_A
	R366	RK73HB1J473J	MG RESISTOR	47kΩ 1/16W J	1	K0_A
	R367	RK73HB1J101J	MG RESISTOR	100Ω 1/16W J	1	K0_A
	R368	RK73HB1J101J	MG RESISTOR	100Ω 1/16W J	1	K0_A
	R369	RK73HB1J101J	MG RESISTOR	100Ω 1/16W J	1	K0_A
	R370	RK73HB1J101J	MG RESISTOR	100Ω 1/16W J	1	K0_A
	R371	RK73HB1J101J	MG RESISTOR	100Ω 1/16W J	1	K0_A
	R372	RK73HB1J101J	MG RESISTOR	100Ω 1/16W J	1	K0_A
	R373	RK73HB1J103J	MG RESISTOR	10kΩ 1/16W J	1	K0_A
	R374	RK73HB1J103J	MG RESISTOR	10kΩ 1/16W J	1	K0_A
	R375	RK73HB1J224J	MG RESISTOR	220kΩ 1/16W J	1	K0_A
	R376	RK73HB1J471J	MG RESISTOR	470Ω 1/16W J	1	K0_A
	R377	RK73HB1J823J	MG RESISTOR	82kΩ 1/16W J	1	K0_A
	R378	RK73HB1J103J	MG RESISTOR	10kΩ 1/16W J	1	K0_A
	R379	RK73HB1J124J	MG RESISTOR	120kΩ 1/16W J	1	K0_A
	R380	RK73HB1J472J	MG RESISTOR	4.7kΩ 1/16W J	1	K0_A
	R381	RK73HB1J101J	MG RESISTOR	100Ω 1/16W J	1	K0_A
	R382	RK73HB1J101J	MG RESISTOR	100Ω 1/16W J	1	K0_A
	R384	RK73HB1J000J	MG RESISTOR	0Ω 1/16W J	1	K0_A
	R385	RK73HB1J000J	MG RESISTOR	0Ω 1/16W J	1	K0_A
	R389	RK73HB1J473J	MG RESISTOR	47kΩ 1/16W J	1	K0_A
	R391	RK73HB1J101J	MG RESISTOR	100Ω 1/16W J	1	K0_A
	R392	RK73HB1J101J	MG RESISTOR	100Ω 1/16W J	1	K0_A
	R393	RK73HB1J473J	MG RESISTOR	47kΩ 1/16W J	1	K0_A
	R394	RK73HB1J103J	MG RESISTOR	10kΩ 1/16W J	1	K0_A
	R395	RK73HB1J102J	MG RESISTOR	1kΩ 1/16W J	1	K0_A
	R396	RK73HB1J473J	MG RESISTOR	47kΩ 1/16W J	1	K0_A
	R397	RK73HB1J473J	MG RESISTOR	47kΩ 1/16W J	1	K0_A
	R398	RK73HB1J473J	MG RESISTOR	47kΩ 1/16W J	1	K0_A
	R400	RK73HB1J473J	MG RESISTOR	47kΩ 1/16W J	1	K0_A
	R413	RK73GH2A472D	MG RESISTOR	4.7kΩ 1/10W D	1	K0_A
	R414	RK73GH2A472D	MG RESISTOR	4.7kΩ 1/10W D	1	K0_A
	R417	RK73HB1J152J	MG RESISTOR	1.5kΩ 1/16W J	1	K0_A
	R418	RK73HB1J152J	MG RESISTOR	1.5kΩ 1/16W J	1	K0_A
	R419	RK73HB1J681J	MG RESISTOR	680Ω 1/16W J	1	K0_A
	R420	RK73HB1J681J	MG RESISTOR	680Ω 1/16W J	1	K0_A

MODEL	MARK	MODEL	MARK
KW-V960BW	K0_A	KW-V960BW	K0_B

Safe	Symbol No.	Parts No.	Parts Name	Description	QTY	Local
	R431	RK73HB1J000J	MG RESISTOR	0Ω 1/16W J	1	K0_A
	R432	RK73HB1J000J	MG RESISTOR	0Ω 1/16W J	1	K0_A
	R433	RK73HB1J000J	MG RESISTOR	0Ω 1/16W J	1	K0_A
	R437	RK73HB1J000J	MG RESISTOR	0Ω 1/16W J	1	K0_A
	R438	RK73HB1J000J	MG RESISTOR	0Ω 1/16W J	1	K0_A
	R439	RK73HB1J000J	MG RESISTOR	0Ω 1/16W J	1	K0_A
	R440	RK73GB2A000J	MG RESISTOR	0Ω 1/10W J	1	K0_A
	R501	RK73HB1J100J	MG RESISTOR	10Ω 1/16W J	1	K0_A
	R503	RK73HB1J223J	MG RESISTOR	22kΩ 1/16W J	1	K0_A
	R504	RK73HB1J223J	MG RESISTOR	22kΩ 1/16W J	1	K0_A
	R506	RK73HB1J223J	MG RESISTOR	22kΩ 1/16W J	1	K0_A
	R507	RK73HB1J223J	MG RESISTOR	22kΩ 1/16W J	1	K0_A
	R508	RK73HB1J103J	MG RESISTOR	10kΩ 1/16W J	1	K0_A
	R509	RK73HB1J103J	MG RESISTOR	10kΩ 1/16W J	1	K0_A
	R510	RK73HB1J203J	MG RESISTOR	20kΩ 1/16W J	1	K0_A
	R511	RK73HB1J203J	MG RESISTOR	20kΩ 1/16W J	1	K0_A
	R512	RK73HB1J203J	MG RESISTOR	20kΩ 1/16W J	1	K0_A
	R513	RK73HB1J203J	MG RESISTOR	20kΩ 1/16W J	1	K0_A
	R514	RK73HB1J103J	MG RESISTOR	10kΩ 1/16W J	1	K0_A
	R515	RK73HB1J103J	MG RESISTOR	10kΩ 1/16W J	1	K0_A
	R516	RK73HB1J203J	MG RESISTOR	20kΩ 1/16W J	1	K0_A
	R517	RK73HB1J203J	MG RESISTOR	20kΩ 1/16W J	1	K0_A
	R518	RK73HB1J221J	MG RESISTOR	220Ω 1/16W J	1	K0_A
	R519	RK73HB1J221J	MG RESISTOR	220Ω 1/16W J	1	K0_A
	R521	RK73HB1J221J	MG RESISTOR	220Ω 1/16W J	1	K0_A
	R522	RK73HB1J221J	MG RESISTOR	220Ω 1/16W J	1	K0_A
	R525	RK73HB1J203J	MG RESISTOR	20kΩ 1/16W J	1	K0_A
	R526	RK73HB1J203J	MG RESISTOR	20kΩ 1/16W J	1	K0_A
	R527	RK73HB1J000J	MG RESISTOR	0Ω 1/16W J	1	K0_A
	R528	RK73HB1J000J	MG RESISTOR	0Ω 1/16W J	1	K0_A
	R529	RK73GB2A2R2J	MG RESISTOR	2.2Ω 1/10W J	1	K0_A
	R530	RK73HB1J101J	MG RESISTOR	100Ω 1/16W J	1	K0_A
	R531	RK73HB1J101J	MG RESISTOR	100Ω 1/16W J	1	K0_A
	R532	RK73HB1J101J	MG RESISTOR	100Ω 1/16W J	1	K0_A
	R534	RK73HB1J100J	MG RESISTOR	10Ω 1/16W J	1	K0_A
	R535	RK73HB1J100J	MG RESISTOR	10Ω 1/16W J	1	K0_A
	R536	RK73HB1J100J	MG RESISTOR	10Ω 1/16W J	1	K0_A
	R537	RK73GB2A100J	MG RESISTOR	10Ω 1/10W J	1	K0_A
	R538	RK73GB2A2R2J	MG RESISTOR	2.2Ω 1/10W J	1	K0_A
	R539	RK73HB1J221J	MG RESISTOR	220Ω 1/16W J	1	K0_A
	R540	RK73HB1J221J	MG RESISTOR	220Ω 1/16W J	1	K0_A
	R541	RK73HB1J221J	MG RESISTOR	220Ω 1/16W J	1	K0_A
	R542	RK73HB1J221J	MG RESISTOR	220Ω 1/16W J	1	K0_A
	R545	RK73HB1J101J	MG RESISTOR	100Ω 1/16W J	1	K0_A
	R546	RK73HB1J101J	MG RESISTOR	100Ω 1/16W J	1	K0_A
	R550	RK73HB1J472J	MG RESISTOR	4.7kΩ 1/16W J	1	K0_A
	R551	RK73HB1J222J	MG RESISTOR	2.2kΩ 1/16W J	1	K0_A
	R552	RK73HB1J101J	MG RESISTOR	100Ω 1/16W J	1	K0_A
	R553	RK73HB1J101J	MG RESISTOR	100Ω 1/16W J	1	K0_A
	R554	RK73HB1J101J	MG RESISTOR	100Ω 1/16W J	1	K0_A
	R555	RK73HB1J101J	MG RESISTOR	100Ω 1/16W J	1	K0_A
	R556	RK73HB1J101J	MG RESISTOR	100Ω 1/16W J	1	K0_A
	R559	RK73HB1J101J	MG RESISTOR	100Ω 1/16W J	1	K0_A
	R560	RK73HB1J101J	MG RESISTOR	100Ω 1/16W J	1	K0_A
	R561	RK73HB1J101J	MG RESISTOR	100Ω 1/16W J	1	K0_A
	R565	RK73HB1J101J	MG RESISTOR	100Ω 1/16W J	1	K0_A
	R566	RK73HB1J100J	MG RESISTOR	10Ω 1/16W J	1	K0_A
	R567	RK73HB1J100J	MG RESISTOR	10Ω 1/16W J	1	K0_A
	R568	RK73HB1J181J	MG RESISTOR	180Ω 1/16W J	1	K0_A
	R569	RK73HB1J223J	MG RESISTOR	22kΩ 1/16W J	1	K0_A
	R570	RK73HB1J100J	MG RESISTOR	10Ω 1/16W J	1	K0_A
	R574	RK73HB1J100J	MG RESISTOR	10Ω 1/16W J	1	K0_A
	R575	RK73HB1J100J	MG RESISTOR	10Ω 1/16W J	1	K0_A
	R577	RK73HB1J100J	MG RESISTOR	10Ω 1/16W J	1	K0_A
	R578	RK73GB2A2R2J	MG RESISTOR	2.2Ω 1/10W J	1	K0_A
	R579	RK73GB2A2R2J	MG RESISTOR	2.2Ω 1/10W J	1	K0_A
	R581	RK73HB1J101J	MG RESISTOR	100Ω 1/16W J	1	K0_A
	R582	RK73HB1J000J	MG RESISTOR	0Ω 1/16W J	1	K0_A
	R583	RK73HB1J000J	MG RESISTOR	0Ω 1/16W J	1	K0_A
	R584	RK73HB1J000J	MG RESISTOR	0Ω 1/16W J	1	K0_A
	R585	RK73GB2A000J	MG RESISTOR	0Ω 1/10W J	1	K0_A
	R586	RK73GB2A000J	MG RESISTOR	0Ω 1/10W J	1	K0_A
	R587	RK73HB1J392J	MG RESISTOR	3.9kΩ 1/16W J	1	K0_A
	R588	RK73HH1J221D	MG RESISTOR	220Ω 1/16W D	1	K0_A
	R589	RK73HH1J221D	MG RESISTOR	220Ω 1/16W D	1	K0_A
	R590	RK73HH1J221D	MG RESISTOR	220Ω 1/16W D	1	K0_A
	R591	RK73HH1J221D	MG RESISTOR	220Ω 1/16W D	1	K0_A
	R592	RK73HH1J221D	MG RESISTOR	220Ω 1/16W D	1	K0_A
	R593	RK73HH1J221D	MG RESISTOR	220Ω 1/16W D	1	K0_A
	R594	RK73HH1J221D	MG RESISTOR	220Ω 1/16W D	1	K0_A
	R595	RK73HH1J221D	MG RESISTOR	220Ω 1/16W D	1	K0_A
	R596	RK73HB1J223J	MG RESISTOR	22kΩ 1/16W J	1	K0_A
	R597	RK73HB1J471J	MG RESISTOR	470Ω 1/16W J	1	K0_A
	R598	RK73HB1J471J	MG RESISTOR	470Ω 1/16W J	1	K0_A
	R599	RK73GB2A000J	MG RESISTOR	0Ω 1/10W J	1	K0_A
	R600	RK73GB2A000J	MG RESISTOR	0Ω 1/10W J	1	K0_A
	R605	RK73GB2A000J	MG RESISTOR	0Ω 1/10W J	1	K0_A
	R607	RK73HB1J000J	MG RESISTOR	0Ω 1/16W J	1	K0_A
	R609	RK73HB1J203J	MG RESISTOR	20kΩ 1/16W J	1	K0_A
	R610	RK73HB1J203J	MG RESISTOR	20kΩ 1/16W J	1	K0_A
	R612	RK73HB1J304J	MG RESISTOR	300kΩ 1/16W J	1	K0_A
	R614	RK73HB1J304J	MG RESISTOR	300kΩ 1/16W J	1	K0_A

MODEL	MARK	MODEL	MARK
KW-V960BW	K0_A	KW-V960BW	K0_B

Safe	Symbol No.	Parts No.	Parts Name	Description	QTY	Local
	R616	RK73HB1J223J	MG RESISTOR	22kΩ 1/16W J	1	K0_A
	R617	RK73HB1J223J	MG RESISTOR	22kΩ 1/16W J	1	K0_A
	R618	RK73HB1J333J	MG RESISTOR	33kΩ 1/16W J	1	K0_A
	R620	RK73HB1J123J	MG RESISTOR	12kΩ 1/16W J	1	K0_A
	R622	RK73GB2A2R2J	MG RESISTOR	2.2Ω 1/10W J	1	K0_A
	R624	RK73HB1J752J	MG RESISTOR	7.5kΩ 1/16W J	1	K0_A
	R625	RK73HB1J101J	MG RESISTOR	100Ω 1/16W J	1	K0_A
	R801	RK73HB1J000J	MG RESISTOR	0Ω 1/16W J	1	K0_A
	R803	RK73HB1J000J	MG RESISTOR	0Ω 1/16W J	1	K0_A
	R805	RK73HB1J220J	MG RESISTOR	22Ω 1/16W J	1	K0_A
	R806	RK73HB1J220J	MG RESISTOR	22Ω 1/16W J	1	K0_A
	R811	RK73PB2H100J	MG RESISTOR	10Ω 1/2W J	1	K0_A
	R812	RK73HB1J151J	MG RESISTOR	150Ω 1/16W J	1	K0_A
	R813	RK73HB1J103J	MG RESISTOR	10kΩ 1/16W J	1	K0_A
	R814	RK73HB1J102J	MG RESISTOR	1kΩ 1/16W J	1	K0_A
	R816	RK73HB1J101J	MG RESISTOR	100Ω 1/16W J	1	K0_A
	R817	RK73HB1J103J	MG RESISTOR	10kΩ 1/16W J	1	K0_A
	R818	RK73HB1J223J	MG RESISTOR	22kΩ 1/16W J	1	K0_A
	RA261	RK74GB1J301J	MG RESISTOR	300Ω 1/16W J	1	K0_A
	RA281	RK74GB1J301J	MG RESISTOR	300Ω 1/16W J	1	K0_A
	RA282	RK74GB1J301J	MG RESISTOR	300Ω 1/16W J	1	K0_A
	RA283	RK74GB1J301J	MG RESISTOR	300Ω 1/16W J	1	K0_A
	L32	LR79Z0DY100M	CHIP INDUCTOR		1	K0_A
	L92	LR79Z0DY100M	CHIP INDUCTOR		1	K0_A
	L132	LR79Z0DY100M	CHIP INDUCTOR		1	K0_A
	L231	LR73Z0AC100K	CHIP INDUCTOR		1	K0_A
	L301	LB73G0FK-001	CHIP FERRITE		1	K0_A
	L431	LR79Z0AG100M	CHIP INDUCTOR		1	K0_A
	L801	LK73H0AM27NJ	M.CHIP INDUCTOR	27nH	1	K0_A
	L802	LR79H0HU7N5G	CHIP INDUCTOR		1	K0_A
	L803	LB73H0DZ-001	CHIP FERRITE		1	K0_A
	CN1	EA120AP-2004A	W TO B CONNE		1	K0_A
	CN71	EA710AT-1004A	W TO B CONNE		1	K0_A
	CN121	EA110AP-2004A	W TO B CONNE		1	K0_A
	CN201	EA120CK-2004A	W TO B CONNE		1	K0_A
	CN281	EA110AP-2005A	W TO B CONNE		1	K0_A
	CN301	EA720AT-1008A	W TO B CONNE		1	K0_A
	CN303	EC720AA-0510A	FFC FPC CONNE		1	K0_A
	CN431	EC710AM-0535A	FFC FPC CONNE		1	K0_A
	CN601	EB770AX-05C0A	B TO B CONNE		1	K0_A
	CN602	EC720AA-0550A	FFC FPC CONNE		1	K0_A
	CN603	EC720AA-0560A	FFC FPC CONNE		1	K0_A
△	F1	FZA10BZ-7R0	FUSE (CC)		1	K0_A
△	F201	F53-0513-08	PATTERN FUSE	4A	1	K0_A
△	F202	F53-0513-08	PATTERN FUSE	4A	1	K0_A
△	F261	F53-0513-08	PATTERN FUSE	4A	1	K0_A
△	F281	F53-0513-08	PATTERN FUSE	4A	1	K0_A
△	F401	F53-0513-08	PATTERN FUSE	4A	1	K0_A
△	F411	F53-0513-08	PATTERN FUSE	4A	1	K0_A
△	F431	FZA10BF-1R0	FUSE (CC)		1	K0_A
	FL801	L7K-0072-00	FILTER		1	K0_A
	J261	E1B-0042-00	3.5D PHONE JACK		1	K0_A
	J601	E1B-0041-00	3.5D PHONE JACK		1	K0_A
	J801	E5J-0023-00	R.RECEPTACLE		1	K0_A
	VA204	SDV1005A14//0	VARISTOR		1	K0_A
	VA205	SDV1005A14//0	VARISTOR		1	K0_A
	VA261	SDV1005E18//1	VARISTOR		1	K0_A
	VA262	SDV1005E18//1	VARISTOR		1	K0_A
	VA263	SDV1005A14//0	VARISTOR		1	K0_A
	VA264	SDV1005A14//0	VARISTOR		1	K0_A
	VA281	SDV1005E18//1	VARISTOR		1	K0_A
	VA282	SDV1005E18//1	VARISTOR		1	K0_A
	VA283	SDV1005E18//1	VARISTOR		1	K0_A
	VA284	SDV1005E18//1	VARISTOR		1	K0_A
	VA802	F0K-0040-00	SURGE ABSORBER		1	K0_A
	X301	L7J-0099-00	QUARTZ CRYSTAL		1	K0_A
	X501	L7J-0026-00	QUARTZ CRYSTAL		1	K0_A
	X801	L7H-0098-00	TCXO		1	K0_A
	X802	L7J-0095-00	QUARTZ CRYSTAL		1	K0_A
MAIN PWB ASSY (XJ1-374K-07) <XJ1>						
	IC1	NJU7108F3	MOS IC		1	K0_B
	IC31	MP9943AGQ	ANALOG IC		1	K0_B
	IC71	MM3411A33NE	ANALOG IC		1	K0_B
	IC72	XC6223B331P-G	ANALOG IC		1	K0_B
	IC73	TC7SET08FUJC	MOS IC		1	K0_B
	IC74	BD82032FVJ-G	ANALOG IC		1	K0_B
	IC75	BD2242G-G	MOS IC		1	K0_B
	IC91	MP9942AGJ	ANALOG IC		1	K0_B
	IC92	TC7SH08FUJC	MOS IC		1	K0_B
	IC93	INA199B3DCK	ANALOG IC		1	K0_B
	IC131	MP9942AGJ	ANALOG IC		1	K0_B
	IC132	TC7SH08FUJC	MOS IC		1	K0_B
	IC133	INA199B3DCK	ANALOG IC		1	K0_B
	IC203	TC7SZ125FUJC	MOS IC		1	K0_B
	IC204	TC7SZ125FUJC	MOS IC		1	K0_B
	IC231	XC6209B502P-G	MOS IC		1	K0_B
	IC252	NJW1341VC3	MOS IC		1	K0_B
	IC261	NJM4580CV	ANALOG IC		1	K0_B
	IC262	NJM8080RB1	ANALOG IC		1	K0_B
	IC301	FS32K144MFCLL	MCU IC		1	K0_B
	IC302	XC6120N282N-G	MOS IC		1	K0_B
	IC303	NJU7108F3	MOS IC		1	K0_B

MODEL	MARK	MODEL	MARK
KW-V960BW	K0_A	KW-V960BW	K0_B

Safe	Symbol No.	Parts No.	Parts Name	Description	QTY	Local
	IC501	AK7738VQ	MOS IC		1	K0_B
	IC502	PCM1754DBQ	ANALOG IC		1	K0_B
	IC503	PCM1754DBQ	ANALOG IC		1	K0_B
	IC504	NJM4580CV	ANALOG IC		1	K0_B
	IC506	AK4387ET	ANALOG IC		1	K0_B
	IC507	XC6209B502P-G	MOS IC		1	K0_B
	IC508	MM3411A33NE	ANALOG IC		1	K0_B
	IC601	NJM8080RB1	ANALOG IC		1	K0_B
	IC602	NJM2871BF05	ANALOG IC		1	K0_B
	IC801	UBX-M8030-KT	MOS IC		1	K0_B
	IC802	NJM2903CRB1	MOS IC		1	K0_B
	IC803	BU33SD5WG	MOS IC		1	K0_B
	IC804	MM3411A18NE	ANALOG IC		1	K0_B
	Q1	MCQ4435	FET		1	K0_B
	Q3	KRC407E-P	DIGI TRANSISTOR		1	K0_B
	Q4	LTC044EEBFS8	DIGI TRANSISTOR		1	K0_B
	Q91	KRC407E-P	DIGI TRANSISTOR		1	K0_B
	Q112	LSCR523EBFS8	TRANSISTOR		1	K0_B
	Q113	LSAR523EBFS8	TRANSISTOR		1	K0_B
	Q114	KRC407E-P	DIGI TRANSISTOR		1	K0_B
	Q115	KRC407E-P	DIGI TRANSISTOR		1	K0_B
	Q116	LTC044EEBFS8	DIGI TRANSISTOR		1	K0_B
	Q117	KRA307E-P	TRANSISTOR		1	K0_B
	Q131	KRC407E-P	DIGI TRANSISTOR		1	K0_B
	Q152	LSCR523EBFS8	TRANSISTOR		1	K0_B
	Q153	LSAR523EBFS8	TRANSISTOR		1	K0_B
	Q154	KRC407E-P	DIGI TRANSISTOR		1	K0_B
	Q155	KRC407E-P	DIGI TRANSISTOR		1	K0_B
	Q156	LTC044EEBFS8	DIGI TRANSISTOR		1	K0_B
	Q157	KRA307E-P	TRANSISTOR		1	K0_B
	Q281	KTC4075P/Y/	TRANSISTOR		1	K0_B
	Q301	2SB1689	TRANSISTOR		1	K0_B
	Q302	KRC407E-P	DIGI TRANSISTOR		1	K0_B
	Q303	KTA2014EP/Y/	TRANSISTOR		1	K0_B
	Q304	KRA307E-P	TRANSISTOR		1	K0_B
	Q305	LTC044EEBFS8	DIGI TRANSISTOR		1	K0_B
	Q306	KRC407E-P	DIGI TRANSISTOR		1	K0_B
	Q307	LTC044EEBFS8	DIGI TRANSISTOR		1	K0_B
	Q308	KRC407E-P	DIGI TRANSISTOR		1	K0_B
	Q309	KRC407E-P	DIGI TRANSISTOR		1	K0_B
	Q310	KTA2014EP/Y/	TRANSISTOR		1	K0_B
	Q311	RE1L002SN	FET		1	K0_B
	Q312	KRC407E-P	DIGI TRANSISTOR		1	K0_B
	Q313	RE1L002SN	FET		1	K0_B
	Q314	KRC407E-P	DIGI TRANSISTOR		1	K0_B
	Q315	KRA307E-P	TRANSISTOR		1	K0_B
	Q501	KRC407E-P	DIGI TRANSISTOR		1	K0_B
	Q502	KRC407E-P	DIGI TRANSISTOR		1	K0_B
	Q801	RQ5A020ZP	FET		1	K0_B
	D1	RB080LAM-30	SCHOTTKY DIODE		1	K0_B
	D2	1SS355-HF	DIODE		1	K0_B
	D3	BZT52B16LSHF	ZENER DIODE		1	K0_B
	D5	BZT52B8V2LSHF	ZENER DIODE		1	K0_B
	D6	BZT52B10LSHF	ZENER DIODE		1	K0_B
	D7	BZT52B16LSHF	ZENER DIODE		1	K0_B
	D72	1SS355-HF	DIODE		1	K0_B
	D91	BZT52B6V2LSHF	ZENER DIODE		1	K0_B
	D131	BZT52B6V2LSHF	ZENER DIODE		1	K0_B
	D202	BZT52B5V6LSHF	ZENER DIODE		1	K0_B
	D203	BZT52B5V6LSHF	ZENER DIODE		1	K0_B
	D204	1SS355-HF	DIODE		1	K0_B
	D301	1SS355-HF	DIODE		1	K0_B
	D502	DAN217UM	DIODE		1	K0_B
	D601	BZT52B11LSHF	ZENER DIODE		1	K0_B
	D602	BZT52B11LSHF	ZENER DIODE		1	K0_B
	D603	1SS355-HF	DIODE		1	K0_B
	D801	1SS355-HF	DIODE		1	K0_B
	C1	CK73HXR1H104K	C CAPACITOR	0.1uF 50V K	1	K0_B
	C2	CK73HXR1H104K	C CAPACITOR	0.1uF 50V K	1	K0_B
	C4	CK73HXR1H104K	C CAPACITOR	0.1uF 50V K	1	K0_B
	C5	CD040CP1C222M	E CAPACITOR	2200uF 16V M	1	K0_B
	C6	CK73JXR1H103K	C CAPACITOR	0.01uF 50V K	1	K0_B
	C31	CK73HXR1H104K	C CAPACITOR	0.1uF 50V K	1	K0_B
	C32	CK73JXR1H103K	C CAPACITOR	0.01uF 50V K	1	K0_B
	C33	CK73FXR1E106K	C CAPACITOR	10uF 25V K	1	K0_B
	C34	CK73FXR1E106K	C CAPACITOR	10uF 25V K	1	K0_B
	C35	CK73HXR1H104K	C CAPACITOR	0.1uF 50V K	1	K0_B
	C36	CK73JXR1H103K	C CAPACITOR	0.01uF 50V K	1	K0_B
	C37	CK73JXR1E104K	C CAPACITOR	0.1uF 25V K	1	K0_B
	C38	CK73JXR1E104K	C CAPACITOR	0.1uF 25V K	1	K0_B
	C40	CC73JCH1H560J	C CAPACITOR	56pF 50V J	1	K0_B
	C41	CK73EXR1A476K	C CAPACITOR	47uF 10V K	1	K0_B
	C42	CK73GXR1A106K	C CAPACITOR	10uF 10V K	1	K0_B
	C43	CK73JXR1A104K	C CAPACITOR	0.1uF 10V K	1	K0_B
	C44	CK73JXR1H103K	C CAPACITOR	0.01uF 50V K	1	K0_B
	C45	CC73HCH1H050C	C CAPACITOR	5pF 50V C	1	K0_B
	C46	CC73HCH1H050C	C CAPACITOR	5pF 50V C	1	K0_B
	C47	CC73HCH1H050C	C CAPACITOR	5pF 50V C	1	K0_B
	C71	CK73HXR1C105K	C CAPACITOR	1uF 16V K	1	K0_B
	C72	CK73HXR1C105K	C CAPACITOR	1uF 16V K	1	K0_B
	C73	CK73HXR1C105K	C CAPACITOR	1uF 16V K	1	K0_B
	C74	CK73HXR1C105K	C CAPACITOR	1uF 16V K	1	K0_B
	C75	CK73JXR1H103K	C CAPACITOR	0.01uF 50V K	1	K0_B

MODEL	MARK	MODEL	MARK
KW-V960BW	K0_A	KW-V960BW	K0_B

Safe	Symbol No.	Parts No.	Parts Name	Description	QTY	Local
	C76	CK73FXR1C106K	C CAPACITOR	10uF 16V K	1	K0_B
	C77	CK73HXR1C105K	C CAPACITOR	1uF 16V K	1	K0_B
	C78	CK73JXR1A104K	C CAPACITOR	0.1uF 10V K	1	K0_B
	C79	CK73HXR1C105K	C CAPACITOR	1uF 16V K	1	K0_B
	C80	CK73JXR1A104K	C CAPACITOR	0.1uF 10V K	1	K0_B
	C91	CK73HXR1H104K	C CAPACITOR	0.1uF 50V K	1	K0_B
	C92	CK73JXR1H103K	C CAPACITOR	0.01uF 50V K	1	K0_B
	C93	CK73FXR1E106K	C CAPACITOR	10uF 25V K	1	K0_B
	C94	CK73FXR1E106K	C CAPACITOR	10uF 25V K	1	K0_B
	C95	CK73HXR1H104K	C CAPACITOR	0.1uF 50V K	1	K0_B
	C96	CK73JXR1H103K	C CAPACITOR	0.01uF 50V K	1	K0_B
	C97	CK73JXR1E104K	C CAPACITOR	0.1uF 25V K	1	K0_B
	C98	CK73JXR1E104K	C CAPACITOR	0.1uF 25V K	1	K0_B
	C100	CC73JCH1H560J	C CAPACITOR	56pF 50V J	1	K0_B
	C101	CK730DT1C476K	C CAPACITOR	47uF 16V K	1	K0_B
	C103	CK73JXR1E104K	C CAPACITOR	0.1uF 25V K	1	K0_B
	C104	CK73JXR1H103K	C CAPACITOR	0.01uF 50V K	1	K0_B
	C105	CK73JXR1H103K	C CAPACITOR	0.01uF 50V K	1	K0_B
	C110	CK73HXR1C105K	C CAPACITOR	1uF 16V K	1	K0_B
	C111	CK73JXR1A104K	C CAPACITOR	0.1uF 10V K	1	K0_B
	C112	CK73HXR1C105K	C CAPACITOR	1uF 16V K	1	K0_B
	C114	CK73JXR1H102K	C CAPACITOR	1000pF 50V K	1	K0_B
	C121	CK730DT1C476K	C CAPACITOR	47uF 16V K	1	K0_B
	C122	CK730DT1C476K	C CAPACITOR	47uF 16V K	1	K0_B
	C123	CK730DT1C476K	C CAPACITOR	47uF 16V K	1	K0_B
	C124	CK73JXR1H103K	C CAPACITOR	0.01uF 50V K	1	K0_B
	C125	CK73JXR1H103K	C CAPACITOR	0.01uF 50V K	1	K0_B
	C126	CK730DT1C476K	C CAPACITOR	47uF 16V K	1	K0_B
	C127	CK730DT1C476K	C CAPACITOR	47uF 16V K	1	K0_B
	C128	CK730DT1C476K	C CAPACITOR	47uF 16V K	1	K0_B
	C131	CK73HXR1H104K	C CAPACITOR	0.1uF 50V K	1	K0_B
	C132	CK73JXR1H103K	C CAPACITOR	0.01uF 50V K	1	K0_B
	C133	CK73FXR1E106K	C CAPACITOR	10uF 25V K	1	K0_B
	C134	CK73FXR1E106K	C CAPACITOR	10uF 25V K	1	K0_B
	C135	CK73HXR1H104K	C CAPACITOR	0.1uF 50V K	1	K0_B
	C136	CK73JXR1H103K	C CAPACITOR	0.01uF 50V K	1	K0_B
	C137	CK73JXR1E104K	C CAPACITOR	0.1uF 25V K	1	K0_B
	C138	CK73JXR1E104K	C CAPACITOR	0.1uF 25V K	1	K0_B
	C140	CC73JCH1H560J	C CAPACITOR	56pF 50V J	1	K0_B
	C141	CK730DT1C476K	C CAPACITOR	47uF 16V K	1	K0_B
	C143	CK73JXR1E104K	C CAPACITOR	0.1uF 25V K	1	K0_B
	C144	CK73JXR1H103K	C CAPACITOR	0.01uF 50V K	1	K0_B
	C145	CK73JXR1H103K	C CAPACITOR	0.01uF 50V K	1	K0_B
	C150	CK73HXR1C105K	C CAPACITOR	1uF 16V K	1	K0_B
	C151	CK73JXR1A104K	C CAPACITOR	0.1uF 10V K	1	K0_B
	C152	CK73HXR1C105K	C CAPACITOR	1uF 16V K	1	K0_B
	C154	CK73JXR1H102K	C CAPACITOR	1000pF 50V K	1	K0_B
	C201	CK73HXR1H104K	C CAPACITOR	0.1uF 50V K	1	K0_B
	C207	CK73JXR1H103K	C CAPACITOR	0.01uF 50V K	1	K0_B
	C208	CK73JXR1H103K	C CAPACITOR	0.01uF 50V K	1	K0_B
	C231	CK73FXR1C106K	C CAPACITOR	10uF 16V K	1	K0_B
	C232	CK73HXR1C105K	C CAPACITOR	1uF 16V K	1	K0_B
	C234	CK73HXR1C105K	C CAPACITOR	1uF 16V K	1	K0_B
	C235	CK73HXR1C105K	C CAPACITOR	1uF 16V K	1	K0_B
	C237	CK73HXR1C105K	C CAPACITOR	1uF 16V K	1	K0_B
	C238	CK73HXR1C105K	C CAPACITOR	1uF 16V K	1	K0_B
	C241	CK73HXR1C105K	C CAPACITOR	1uF 16V K	1	K0_B
	C243	CK73HXR1C105K	C CAPACITOR	1uF 16V K	1	K0_B
	C246	CK73HXR1C105K	C CAPACITOR	1uF 16V K	1	K0_B
	C248	CK73HXR1C105K	C CAPACITOR	1uF 16V K	1	K0_B
	C250	CK73HXR1C105K	C CAPACITOR	1uF 16V K	1	K0_B
	C252	CK73JXR1A104K	C CAPACITOR	0.1uF 10V K	1	K0_B
	C253	CE32BJ1C470M	E CAPACITOR	47uF 16V M	1	K0_B
	C254	CK73JXR1A104K	C CAPACITOR	0.1uF 10V K	1	K0_B
	C255	CK73HXR1C105K	C CAPACITOR	1uF 16V K	1	K0_B
	C259	CK73HXR1C105K	C CAPACITOR	1uF 16V K	1	K0_B
	C261	CC73HCH1H221J	C CAPACITOR	220pF 50V J	1	K0_B
	C262	CK73HXR1H104K	C CAPACITOR	0.1uF 50V K	1	K0_B
	C263	CK73HXR1H102K	C CAPACITOR	1000pF 50V K	1	K0_B
	C264	CK73HXR1H102K	C CAPACITOR	1000pF 50V K	1	K0_B
	C265	CK73GXR1E225K	C CAPACITOR	2.2uF 25V K	1	K0_B
	C266	CK73GXR1E225K	C CAPACITOR	2.2uF 25V K	1	K0_B
	C267	CK73GXR1E225K	C CAPACITOR	2.2uF 25V K	1	K0_B
	C268	CK73GXR1E225K	C CAPACITOR	2.2uF 25V K	1	K0_B
	C269	CC73JCH1E331J	C CAPACITOR	330pF 25V J	1	K0_B
	C270	CC73JCH1E331J	C CAPACITOR	330pF 25V J	1	K0_B
	C271	CC73JCH1H181J	C CAPACITOR	180pF 50V J	1	K0_B
	C272	CC73JCH1H181J	C CAPACITOR	180pF 50V J	1	K0_B
	C273	CC73JCH1H181J	C CAPACITOR	180pF 50V J	1	K0_B
	C274	CC73JCH1H181J	C CAPACITOR	180pF 50V J	1	K0_B
	C275	CK73FXR1C106K	C CAPACITOR	10uF 16V K	1	K0_B
	C276	CK73HXR1C105K	C CAPACITOR	1uF 16V K	1	K0_B
	C277	CK73HXR1C105K	C CAPACITOR	1uF 16V K	1	K0_B
	C282	CK73FXR1C106K	C CAPACITOR	10uF 16V K	1	K0_B
	C283	CK73FXR0J226M	C CAPACITOR	22uF 6.3V M	1	K0_B
	C284	CK73HXR0J224K	C CAPACITOR	0.22uF 6.3V K	1	K0_B
	C301	CE32CC1C221M	E CAPACITOR	220uF 16V M	1	K0_B
	C302	CE32CC1C221M	E CAPACITOR	220uF 16V M	1	K0_B
	C303	CK73GXR0J106K	C CAPACITOR	10uF 6.3V K	1	K0_B
	C304	CK73JXR1H222K	C CAPACITOR	2200pF 50V K	1	K0_B
	C305	CK73JXR1A104K	C CAPACITOR	0.1uF 10V K	1	K0_B
	C306	CK73JXR1A104K	C CAPACITOR	0.1uF 10V K	1	K0_B

MODEL	MARK	MODEL	MARK
KW-V960BW	K0_A	KW-V960BW	K0_B

Safe	Symbol No.	Parts No.	Parts Name	Description	QTY	Local
	C307	CK73JXR1A104K	C CAPACITOR	0.1uF 10V K	1	K0_B
	C309	CC73HCH1H100D	C CAPACITOR	10pF 50V D	1	K0_B
	C310	CC73HCH1H100D	C CAPACITOR	10pF 50V D	1	K0_B
	C312	CK73JXR1A104K	C CAPACITOR	0.1uF 10V K	1	K0_B
	C313	CK73JXR1H103K	C CAPACITOR	0.01uF 50V K	1	K0_B
	C314	CK73JXR1H103K	C CAPACITOR	0.01uF 50V K	1	K0_B
	C315	CK73JXR1H103K	C CAPACITOR	0.01uF 50V K	1	K0_B
	C316	CK73JXR1H103K	C CAPACITOR	0.01uF 50V K	1	K0_B
	C317	CK73JXR1A104K	C CAPACITOR	0.1uF 10V K	1	K0_B
	C318	CK73JXR1A104K	C CAPACITOR	0.1uF 10V K	1	K0_B
	C319	CK73JXR1A104K	C CAPACITOR	0.1uF 10V K	1	K0_B
	C321	CK73HXR1C105K	C CAPACITOR	1uF 16V K	1	K0_B
	C322	CK73JXR1A104K	C CAPACITOR	0.1uF 10V K	1	K0_B
	C323	CK73JXR1A104K	C CAPACITOR	0.1uF 10V K	1	K0_B
	C324	CK73JXR1A104K	C CAPACITOR	0.1uF 10V K	1	K0_B
	C325	CK73EXR0J476M	C CAPACITOR	47uF 6.3V M	1	K0_B
	C326	CK73EXR0J476M	C CAPACITOR	47uF 6.3V M	1	K0_B
	C327	CK73EXR0J476M	C CAPACITOR	47uF 6.3V M	1	K0_B
	C328	CK73EXR0J476M	C CAPACITOR	47uF 6.3V M	1	K0_B
	C329	CK73EXR0J476M	C CAPACITOR	47uF 6.3V M	1	K0_B
	C330	CK73EXR0J476M	C CAPACITOR	47uF 6.3V M	1	K0_B
	C331	CK73JXR1H103K	C CAPACITOR	0.01uF 50V K	1	K0_B
	C332	CK73JXR1A104K	C CAPACITOR	0.1uF 10V K	1	K0_B
	C413	CK73HXR1H102K	C CAPACITOR	1000pF 50V K	1	K0_B
	C431	CE32CC1C221M	E CAPACITOR	220uF 16V M	1	K0_B
	C434	CK73HXR1H104K	C CAPACITOR	0.1uF 50V K	1	K0_B
	C435	CK73JXR1H103K	C CAPACITOR	0.01uF 50V K	1	K0_B
	C436	CK73HXR1E223K	C CAPACITOR	0.022uF 25V K	1	K0_B
	C437	CK73HXR1E223K	C CAPACITOR	0.022uF 25V K	1	K0_B
	C438	CK73FXR0J226M	C CAPACITOR	22uF 6.3V M	1	K0_B
	C501	CK73HXR1C105K	C CAPACITOR	1uF 16V K	1	K0_B
	C502	CK73HXR1C105K	C CAPACITOR	1uF 16V K	1	K0_B
	C503	CK73JXR1H102K	C CAPACITOR	1000pF 50V K	1	K0_B
	C504	CK73JXR1H102K	C CAPACITOR	1000pF 50V K	1	K0_B
	C505	CK73HXR1C105K	C CAPACITOR	1uF 16V K	1	K0_B
	C506	CK73HXR1C105K	C CAPACITOR	1uF 16V K	1	K0_B
	C507	CK73HXR1C105K	C CAPACITOR	1uF 16V K	1	K0_B
	C508	CK73HXR1H104K	C CAPACITOR	0.1uF 50V K	1	K0_B
	C511	CK73FXR1C106K	C CAPACITOR	10uF 16V K	1	K0_B
	C512	CK73HXR1H222K	C CAPACITOR	2200pF 50V K	1	K0_B
	C513	CK73HXR1H222K	C CAPACITOR	2200pF 50V K	1	K0_B
	C514	CK73HXR1H222K	C CAPACITOR	2200pF 50V K	1	K0_B
	C515	CK73HXR1H222K	C CAPACITOR	2200pF 50V K	1	K0_B
	C516	CK73GXR1A106K	C CAPACITOR	10uF 10V K	1	K0_B
	C517	CK73HXR1C105K	C CAPACITOR	1uF 16V K	1	K0_B
	C518	CK73HXR1C105K	C CAPACITOR	1uF 16V K	1	K0_B
	C519	CK73JXR1A104K	C CAPACITOR	0.1uF 10V K	1	K0_B
	C520	CK73JXR1A104K	C CAPACITOR	0.1uF 10V K	1	K0_B
	C521	CK73GXR0J106K	C CAPACITOR	10uF 6.3V K	1	K0_B
	C522	CK73GXR1A106K	C CAPACITOR	10uF 10V K	1	K0_B
	C523	CK73HXR1H222K	C CAPACITOR	2200pF 50V K	1	K0_B
	C524	CK73HXR1H222K	C CAPACITOR	2200pF 50V K	1	K0_B
	C525	CK73HXR1H222K	C CAPACITOR	2200pF 50V K	1	K0_B
	C526	CK73HXR1H222K	C CAPACITOR	2200pF 50V K	1	K0_B
	C527	CK73JXR1A104K	C CAPACITOR	0.1uF 10V K	1	K0_B
	C528	CK73GXR1A106K	C CAPACITOR	10uF 10V K	1	K0_B
	C529	CK73HXR1C105K	C CAPACITOR	1uF 16V K	1	K0_B
	C530	CK73JXR1A104K	C CAPACITOR	0.1uF 10V K	1	K0_B
	C531	CK73GXR1A106K	C CAPACITOR	10uF 10V K	1	K0_B
	C532	CK73JXR1A104K	C CAPACITOR	0.1uF 10V K	1	K0_B
	C533	CK73GXR1A106K	C CAPACITOR	10uF 10V K	1	K0_B
	C534	CK73GXR1C225K	C CAPACITOR	2.2uF 16V K	1	K0_B
	C535	CK73JXR1A104K	C CAPACITOR	0.1uF 10V K	1	K0_B
	C536	CK73GXR1A106K	C CAPACITOR	10uF 10V K	1	K0_B
	C537	CK73JXR1A104K	C CAPACITOR	0.1uF 10V K	1	K0_B
	C538	CK73GXR1A106K	C CAPACITOR	10uF 10V K	1	K0_B
	C539	CK73JXR1A104K	C CAPACITOR	0.1uF 10V K	1	K0_B
	C540	CK73GXR1A106K	C CAPACITOR	10uF 10V K	1	K0_B
	C541	CK73GXR1E225K	C CAPACITOR	2.2uF 25V K	1	K0_B
	C542	CK73JXR1A104K	C CAPACITOR	0.1uF 10V K	1	K0_B
	C543	CK73GXR1A106K	C CAPACITOR	10uF 10V K	1	K0_B
	C544	CK73HXR1A104K	C CAPACITOR	0.1uF 10V K	1	K0_B
	C545	CK73HXR1A104K	C CAPACITOR	0.1uF 10V K	1	K0_B
	C549	CC73HCH1H120J	C CAPACITOR	12pF 50V J	1	K0_B
	C550	CC73HCH1H120J	C CAPACITOR	12pF 50V J	1	K0_B
	C551	CK73GXR0J106K	C CAPACITOR	10uF 6.3V K	1	K0_B
	C552	CK73GXR1A106K	C CAPACITOR	10uF 10V K	1	K0_B
	C553	CK73JXR1A104K	C CAPACITOR	0.1uF 10V K	1	K0_B
	C554	CK73GXR0J106K	C CAPACITOR	10uF 6.3V K	1	K0_B
	C558	CK73HXR1H332K	C CAPACITOR	3300pF 50V K	1	K0_B
	C559	CK73HXR1H332K	C CAPACITOR	3300pF 50V K	1	K0_B
	C560	CK73HXR1H332K	C CAPACITOR	3300pF 50V K	1	K0_B
	C561	CK73HXR1H222K	C CAPACITOR	2200pF 50V K	1	K0_B
	C562	CK73HXR1H222K	C CAPACITOR	2200pF 50V K	1	K0_B
	C563	CK73HXR1H222K	C CAPACITOR	2200pF 50V K	1	K0_B
	C564	CK73HXR1H222K	C CAPACITOR	2200pF 50V K	1	K0_B
	C565	CK73HXR1H222K	C CAPACITOR	2200pF 50V K	1	K0_B
	C566	CK73HXR1H222K	C CAPACITOR	2200pF 50V K	1	K0_B
	C567	CK73HXR1H222K	C CAPACITOR	2200pF 50V K	1	K0_B
	C568	CK73HXR1H222K	C CAPACITOR	2200pF 50V K	1	K0_B
	C571	CK73GXR0J106K	C CAPACITOR	10uF 6.3V K	1	K0_B
	C572	CK73HXR1C105K	C CAPACITOR	1uF 16V K	1	K0_B
	C602	CK73HXR1C105K	C CAPACITOR	1uF 16V K	1	K0_B

MODEL	MARK	MODEL	MARK
KW-V960BW	K0_A	KW-V960BW	K0_B

Safe	Symbol No.	Parts No.	Parts Name	Description	QTY	Local
	C603	CK73HXR1H102K	C CAPACITOR	1000pF 50V K	1	K0_B
	C605	CK73HXR1C105K	C CAPACITOR	1uF 16V K	1	K0_B
	C606	CK73HXR1C105K	C CAPACITOR	1uF 16V K	1	K0_B
	C607	CC73HCH1H220J	C CAPACITOR	22pF 50V J	1	K0_B
	C609	CC73HCH1H220J	C CAPACITOR	22pF 50V J	1	K0_B
	C611	CK73JXR1E104K	C CAPACITOR	0.1uF 25V K	1	K0_B
	C613	CK73EXR1A476K	C CAPACITOR	47uF 10V K	1	K0_B
	C615	CK73HXR1A683K	C CAPACITOR	0.068uF 10V K	1	K0_B
	C616	CK73HXR1A683K	C CAPACITOR	0.068uF 10V K	1	K0_B
	C617	CK730DT1C476K	C CAPACITOR	47uF 16V K	1	K0_B
	C620	CK73HXR1H104K	C CAPACITOR	0.1uF 50V K	1	K0_B
	C621	CK73HXR1C105K	C CAPACITOR	1uF 16V K	1	K0_B
	C622	CK73HXR1C105K	C CAPACITOR	1uF 16V K	1	K0_B
	C623	CK73JXR1H103K	C CAPACITOR	0.01uF 50V K	1	K0_B
	C624	CK73GXR1A106K	C CAPACITOR	10uF 10V K	1	K0_B
	C625	CK73GXR1A106K	C CAPACITOR	10uF 10V K	1	K0_B
	C801	CK73JXR1H103K	C CAPACITOR	0.01uF 50V K	1	K0_B
	C802	CC73HCH1H470J	C CAPACITOR	47pF 50V J	1	K0_B
	C803	CC730BP1H1R8B	C CAPACITOR	1.8pF 50V B	1	K0_B
	C804	CK73HXR1C105K	C CAPACITOR	1uF 16V K	1	K0_B
	C805	CK73HXR1C105K	C CAPACITOR	1uF 16V K	1	K0_B
	C806	CK73HXR1C105K	C CAPACITOR	1uF 16V K	1	K0_B
	C807	CK73GXR1E225K	C CAPACITOR	2.2uF 25V K	1	K0_B
	C808	CK73HXR1C105K	C CAPACITOR	1uF 16V K	1	K0_B
	C809	CK73HXR1C105K	C CAPACITOR	1uF 16V K	1	K0_B
	C810	CC73HCH1H060D	C CAPACITOR	6pF 50V D	1	K0_B
	C811	CC73HCH1H070D	C CAPACITOR	7pF 50V D	1	K0_B
	C812	CC73JCH1H120J	C CAPACITOR	12pF 50V J	1	K0_B
	C813	CC73JCH1H120J	C CAPACITOR	12pF 50V J	1	K0_B
	C814	CK73HXR1C105K	C CAPACITOR	1uF 16V K	1	K0_B
	C815	CK73HXR1C105K	C CAPACITOR	1uF 16V K	1	K0_B
	C816	CK73HXR1C105K	C CAPACITOR	1uF 16V K	1	K0_B
	C817	CK73HXR1C105K	C CAPACITOR	1uF 16V K	1	K0_B
	C818	CK73HXR1C105K	C CAPACITOR	1uF 16V K	1	K0_B
	C819	CK73HXR1C105K	C CAPACITOR	1uF 16V K	1	K0_B
	C820	CK73HXR1C105K	C CAPACITOR	1uF 16V K	1	K0_B
	R1	RK73GB2A103J	MG RESISTOR	10kΩ 1/10W J	1	K0_B
	R2	RK73GB2A202J	MG RESISTOR	2kΩ 1/10W J	1	K0_B
	R3	RK73HB1J334J	MG RESISTOR	330kΩ 1/16W J	1	K0_B
	R8	RK73HH1J223D	MG RESISTOR	22kΩ 1/16W D	1	K0_B
	R9	RK73HH1J184D	MG RESISTOR	180kΩ 1/16W D	1	K0_B
	R10	RK73HH1J393D	MG RESISTOR	39kΩ 1/16W D	1	K0_B
	R11	RK73HH1J392D	MG RESISTOR	3.9kΩ 1/16W D	1	K0_B
	R12	RK73HH1J104D	MG RESISTOR	100kΩ 1/16W D	1	K0_B
	R13	RK73HH1J563D	MG RESISTOR	56kΩ 1/16W D	1	K0_B
	R14	RK73HH1J753D	MG RESISTOR	75kΩ 1/16W D	1	K0_B
	R15	RK73HH1J561D	MG RESISTOR	560Ω 1/16W D	1	K0_B
	R31	RK73GB2A200J	MG RESISTOR	20Ω 1/10W J	1	K0_B
	R33	RK73HB1J333J	MG RESISTOR	33kΩ 1/16W J	1	K0_B
	R34	RK73HB1J000J	MG RESISTOR	0Ω 1/16W J	1	K0_B
	R36	RK73HH1J393D	MG RESISTOR	39kΩ 1/16W D	1	K0_B
	R37	RK73HH1J222D	MG RESISTOR	2.2kΩ 1/16W D	1	K0_B
	R38	RK73HH1J752D	MG RESISTOR	7.5kΩ 1/16W D	1	K0_B
	R39	RK73HH1J221D	MG RESISTOR	220Ω 1/16W D	1	K0_B
	R40	RK73HB1J101J	MG RESISTOR	100Ω 1/16W J	1	K0_B
	R41	RK73HH1J100D	MG RESISTOR	10Ω 1/16W D	1	K0_B
	R75	RK73HB1J101J	MG RESISTOR	100Ω 1/16W J	1	K0_B
	R77	RK73HB1J272J	MG RESISTOR	2.7kΩ 1/16W J	1	K0_B
	R78	RK73HB1J223J	MG RESISTOR	22kΩ 1/16W J	1	K0_B
	R80	RK73GB2A331J	MG RESISTOR	330Ω 1/10W J	1	K0_B
	R91	RK73GB2A200J	MG RESISTOR	20Ω 1/10W J	1	K0_B
	R92	RK73HB1J473J	MG RESISTOR	47kΩ 1/16W J	1	K0_B
	R94	RK73HB1J333J	MG RESISTOR	33kΩ 1/16W J	1	K0_B
	R95	RK73HB1J000J	MG RESISTOR	0Ω 1/16W J	1	K0_B
	R96	RK73HH1J100D	MG RESISTOR	10Ω 1/16W D	1	K0_B
	R97	RK73HH1J393D	MG RESISTOR	39kΩ 1/16W D	1	K0_B
	R98	RK73HH1J222D	MG RESISTOR	2.2kΩ 1/16W D	1	K0_B
	R99	RK73HH1J752D	MG RESISTOR	7.5kΩ 1/16W D	1	K0_B
	R100	RK73HB1J000J	MG RESISTOR	0Ω 1/16W J	1	K0_B
	R101	RK73EB2E151J	MG RESISTOR	150Ω 1/4W J	1	K0_B
	R102	RK73HB1J223J	MG RESISTOR	22kΩ 1/16W J	1	K0_B
	R104	RK73HB1J101J	MG RESISTOR	100Ω 1/16W J	1	K0_B
	R105	RK73HB1J272J	MG RESISTOR	2.7kΩ 1/16W J	1	K0_B
	R106	RK73HB1J102J	MG RESISTOR	1kΩ 1/16W J	1	K0_B
	R110	RZ73F0CH30LJ	RESISTOR	0.03Ω 1/3W J	1	K0_B
	R111	RZ73F0CH30LJ	RESISTOR	0.03Ω 1/3W J	1	K0_B
	R112	RK73HB1J100J	MG RESISTOR	10Ω 1/16W J	1	K0_B
	R113	RK73HB1J100J	MG RESISTOR	10Ω 1/16W J	1	K0_B
	R114	RK73HB1J101J	MG RESISTOR	100Ω 1/16W J	1	K0_B
	R119	RK73HH1J102D	MG RESISTOR	1kΩ 1/16W D	1	K0_B
	R120	RK73HH1J104D	MG RESISTOR	100kΩ 1/16W D	1	K0_B
	R121	RK73HB1J224J	MG RESISTOR	220kΩ 1/16W J	1	K0_B
	R122	RK73HB1J224J	MG RESISTOR	220kΩ 1/16W J	1	K0_B
	R125	RK73HB1J223J	MG RESISTOR	22kΩ 1/16W J	1	K0_B
	R126	RZ73F0CH30LJ	RESISTOR	0.03Ω 1/3W J	1	K0_B
	R127	RZ73F0CH30LJ	RESISTOR	0.03Ω 1/3W J	1	K0_B
	R131	RK73GB2A200J	MG RESISTOR	20Ω 1/10W J	1	K0_B
	R132	RK73HB1J473J	MG RESISTOR	47kΩ 1/16W J	1	K0_B
	R134	RK73HB1J333J	MG RESISTOR	33kΩ 1/16W J	1	K0_B
	R135	RK73HB1J000J	MG RESISTOR	0Ω 1/16W J	1	K0_B
	R136	RK73HH1J100D	MG RESISTOR	10Ω 1/16W D	1	K0_B
	R137	RK73HH1J393D	MG RESISTOR	39kΩ 1/16W D	1	K0_B

MODEL	MARK	MODEL	MARK
KW-V960BW	K0_A	KW-V960BW	K0_B

Safe	Symbol No.	Parts No.	Parts Name	Description	QTY	Local
R138		RK73HH1J222D	MG RESISTOR	2.2kΩ 1/16W D	1	K0_B
R139		RK73HH1J752D	MG RESISTOR	7.5kΩ 1/16W D	1	K0_B
R140		RK73HB1J000J	MG RESISTOR	0Ω 1/16W J	1	K0_B
R141		RK73EB2E151J	MG RESISTOR	150Ω 1/4W J	1	K0_B
R142		RK73HB1J223J	MG RESISTOR	22kΩ 1/16W J	1	K0_B
R144		RK73HB1J101J	MG RESISTOR	100Ω 1/16W J	1	K0_B
R145		RK73HB1J272J	MG RESISTOR	2.7kΩ 1/16W J	1	K0_B
R146		RK73HB1J102J	MG RESISTOR	1kΩ 1/16W J	1	K0_B
R150		RZ73F0CH30LJ	RESISTOR	0.03Ω 1/3W J	1	K0_B
R151		RZ73F0CH30LJ	RESISTOR	0.03Ω 1/3W J	1	K0_B
R152		RK73HB1J100J	MG RESISTOR	10Ω 1/16W J	1	K0_B
R153		RK73HB1J100J	MG RESISTOR	10Ω 1/16W J	1	K0_B
R154		RK73HB1J101J	MG RESISTOR	100Ω 1/16W J	1	K0_B
R159		RK73HH1J102D	MG RESISTOR	1kΩ 1/16W D	1	K0_B
R160		RK73HH1J104D	MG RESISTOR	100kΩ 1/16W D	1	K0_B
R161		RK73HB1J224J	MG RESISTOR	220kΩ 1/16W J	1	K0_B
R162		RK73HB1J224J	MG RESISTOR	220kΩ 1/16W J	1	K0_B
R165		RK73HB1J223J	MG RESISTOR	22kΩ 1/16W J	1	K0_B
R166		RZ73F0CH30LJ	RESISTOR	0.03Ω 1/3W J	1	K0_B
R167		RZ73F0CH30LJ	RESISTOR	0.03Ω 1/3W J	1	K0_B
R209		RK73GB2A101J	MG RESISTOR	100Ω 1/10W J	1	K0_B
R210		RK73GB2A101J	MG RESISTOR	100Ω 1/10W J	1	K0_B
R211		RK73HB1J473J	MG RESISTOR	47kΩ 1/16W J	1	K0_B
R213		RK73HB1J101J	MG RESISTOR	100Ω 1/16W J	1	K0_B
R214		RK73HB1J223J	MG RESISTOR	22kΩ 1/16W J	1	K0_B
R232		RK73HB1J100J	MG RESISTOR	10Ω 1/16W J	1	K0_B
R233		RK73HB1J100J	MG RESISTOR	10Ω 1/16W J	1	K0_B
R236		RK73HB1J000J	MG RESISTOR	0Ω 1/16W J	1	K0_B
R237		RK73HH1J201D	MG RESISTOR	200Ω 1/16W D	1	K0_B
R239		RK73HH1J391D	MG RESISTOR	390Ω 1/16W D	1	K0_B
R240		RK73HB1J000J	MG RESISTOR	0Ω 1/16W J	1	K0_B
R241		RK73HB1J220J	MG RESISTOR	22Ω 1/16W J	1	K0_B
R242		RK73HB1J220J	MG RESISTOR	22Ω 1/16W J	1	K0_B
R243		RK73HH1J683D	MG RESISTOR	68kΩ 1/16W D	1	K0_B
R244		RK73HH1J683D	MG RESISTOR	68kΩ 1/16W D	1	K0_B
R248		RK73HB1J000J	MG RESISTOR	0Ω 1/16W J	1	K0_B
R251		RK73HB1J101J	MG RESISTOR	100Ω 1/16W J	1	K0_B
R252		RK73HB1J101J	MG RESISTOR	100Ω 1/16W J	1	K0_B
R253		RK73GB2A000J	MG RESISTOR	0Ω 1/10W J	1	K0_B
R261		RK73GB2A000J	MG RESISTOR	0Ω 1/10W J	1	K0_B
R262		RK73HB1J4R7J	MG RESISTOR	4.7Ω 1/16W J	1	K0_B
R263		RK73HB1J223J	MG RESISTOR	22kΩ 1/16W J	1	K0_B
R264		RK73HB1J223J	MG RESISTOR	22kΩ 1/16W J	1	K0_B
R265		RK73HB1J100J	MG RESISTOR	10Ω 1/16W J	1	K0_B
R266		RK73HB1J100J	MG RESISTOR	10Ω 1/16W J	1	K0_B
R267		RK73HH1J183D	MG RESISTOR	18kΩ 1/16W D	1	K0_B
R268		RK73HH1J183D	MG RESISTOR	18kΩ 1/16W D	1	K0_B
R269		RK73HH1J183D	MG RESISTOR	18kΩ 1/16W D	1	K0_B
R270		RK73HH1J183D	MG RESISTOR	18kΩ 1/16W D	1	K0_B
R271		RK73HH1J752D	MG RESISTOR	7.5kΩ 1/16W D	1	K0_B
R272		RK73HH1J752D	MG RESISTOR	7.5kΩ 1/16W D	1	K0_B
R273		RK73HH1J123D	MG RESISTOR	12kΩ 1/16W D	1	K0_B
R274		RK73HH1J123D	MG RESISTOR	12kΩ 1/16W D	1	K0_B
R275		RK73HH1J752D	MG RESISTOR	7.5kΩ 1/16W D	1	K0_B
R276		RK73HH1J752D	MG RESISTOR	7.5kΩ 1/16W D	1	K0_B
R277		RK73HH1J123D	MG RESISTOR	12kΩ 1/16W D	1	K0_B
R278		RK73HH1J123D	MG RESISTOR	12kΩ 1/16W D	1	K0_B
R279		RK73HB1J103J	MG RESISTOR	10kΩ 1/16W J	1	K0_B
R280		RK73HB1J393J	MG RESISTOR	39kΩ 1/16W J	1	K0_B
R281		RK73HB1J100J	MG RESISTOR	10Ω 1/16W J	1	K0_B
R282		RK73HB1J100J	MG RESISTOR	10Ω 1/16W J	1	K0_B
R283		RK73GB2A000J	MG RESISTOR	0Ω 1/10W J	1	K0_B
R284		RK73HB1J303J	MG RESISTOR	30kΩ 1/16W J	1	K0_B
R285		RK73HB1J303J	MG RESISTOR	30kΩ 1/16W J	1	K0_B
R286		RK73HH1J750D	MG RESISTOR	75Ω 1/16W D	1	K0_B
R288		RK73HB1J750J	MG RESISTOR	75Ω 1/16W J	1	K0_B
R289		RK73HB1J100J	MG RESISTOR	10Ω 1/16W J	1	K0_B
R301		RK73HB1J102J	MG RESISTOR	1kΩ 1/16W J	1	K0_B
R302		RK73HB1J101J	MG RESISTOR	100Ω 1/16W J	1	K0_B
R303		RK73HB1J223J	MG RESISTOR	22kΩ 1/16W J	1	K0_B
R304		RK73HB1J101J	MG RESISTOR	100Ω 1/16W J	1	K0_B
R305		RK73HB1J101J	MG RESISTOR	100Ω 1/16W J	1	K0_B
R306		RK73HB1J101J	MG RESISTOR	100Ω 1/16W J	1	K0_B
R307		RK73HB1J101J	MG RESISTOR	100Ω 1/16W J	1	K0_B
R310		RK73HB1J152J	MG RESISTOR	1.5kΩ 1/16W J	1	K0_B
R311		RK73HB1J101J	MG RESISTOR	100Ω 1/16W J	1	K0_B
R312		RK73HB1J473J	MG RESISTOR	47kΩ 1/16W J	1	K0_B
R313		RK73HB1J101J	MG RESISTOR	100Ω 1/16W J	1	K0_B
R314		RK73HB1J473J	MG RESISTOR	47kΩ 1/16W J	1	K0_B
R315		RK73HB1J101J	MG RESISTOR	100Ω 1/16W J	1	K0_B
R316		RK73HB1J473J	MG RESISTOR	47kΩ 1/16W J	1	K0_B
R317		RK73HB1J272J	MG RESISTOR	2.7kΩ 1/16W J	1	K0_B
R318		RK73HB1J104J	MG RESISTOR	100kΩ 1/16W J	1	K0_B
R319		RK73HB1J104J	MG RESISTOR	100kΩ 1/16W J	1	K0_B
R320		RK73HB1J473J	MG RESISTOR	47kΩ 1/16W J	1	K0_B
R321		RK73HB1J101J	MG RESISTOR	100Ω 1/16W J	1	K0_B
R322		RK73HB1J103J	MG RESISTOR	10kΩ 1/16W J	1	K0_B
R323		RK73HB1J101J	MG RESISTOR	100Ω 1/16W J	1	K0_B
R324		RK73HB1J101J	MG RESISTOR	100Ω 1/16W J	1	K0_B
R325		RK73HB1J101J	MG RESISTOR	100Ω 1/16W J	1	K0_B
R326		RK73HB1J101J	MG RESISTOR	100Ω 1/16W J	1	K0_B
R327		RK73HB1J473J	MG RESISTOR	47kΩ 1/16W J	1	K0_B

MODEL	MARK	MODEL	MARK
KW-V960BW	K0_A	KW-V960BW	K0_B

Safe	Symbol No.	Parts No.	Parts Name	Description	QTY	Local
	R328	RK73HB1J101J	MG RESISTOR	100Ω 1/16W J	1	K0_B
	R329	RK73HB1J473J	MG RESISTOR	47kΩ 1/16W J	1	K0_B
	R331	RK73HB1J101J	MG RESISTOR	100Ω 1/16W J	1	K0_B
	R332	RK73HB1J473J	MG RESISTOR	47kΩ 1/16W J	1	K0_B
	R333	RK73HB1J101J	MG RESISTOR	100Ω 1/16W J	1	K0_B
	R334	RK73HB1J101J	MG RESISTOR	100Ω 1/16W J	1	K0_B
	R335	RK73HB1J223J	MG RESISTOR	22kΩ 1/16W J	1	K0_B
	R336	RK73HB1J101J	MG RESISTOR	100Ω 1/16W J	1	K0_B
	R337	RK73HB1J101J	MG RESISTOR	100Ω 1/16W J	1	K0_B
	R338	RK73HB1J101J	MG RESISTOR	100Ω 1/16W J	1	K0_B
	R339	RK73HB1J101J	MG RESISTOR	100Ω 1/16W J	1	K0_B
	R340	RK73HB1J102J	MG RESISTOR	1kΩ 1/16W J	1	K0_B
	R341	RK73HB1J223J	MG RESISTOR	22kΩ 1/16W J	1	K0_B
	R342	RK73HB1J101J	MG RESISTOR	100Ω 1/16W J	1	K0_B
	R343	RK73HB1J101J	MG RESISTOR	100Ω 1/16W J	1	K0_B
	R344	RK73HB1J102J	MG RESISTOR	1kΩ 1/16W J	1	K0_B
	R345	RK73HB1J223J	MG RESISTOR	22kΩ 1/16W J	1	K0_B
	R346	RK73HB1J101J	MG RESISTOR	100Ω 1/16W J	1	K0_B
	R347	RK73HB1J102J	MG RESISTOR	1kΩ 1/16W J	1	K0_B
	R348	RK73HB1J223J	MG RESISTOR	22kΩ 1/16W J	1	K0_B
	R349	RK73HB1J101J	MG RESISTOR	100Ω 1/16W J	1	K0_B
	R350	RK73HB1J223J	MG RESISTOR	22kΩ 1/16W J	1	K0_B
	R351	RK73HB1J222J	MG RESISTOR	2.2kΩ 1/16W J	1	K0_B
	R352	RK73HB1J222J	MG RESISTOR	2.2kΩ 1/16W J	1	K0_B
	R353	RK73HB1J102J	MG RESISTOR	1kΩ 1/16W J	1	K0_B
	R354	RK73HB1J101J	MG RESISTOR	100Ω 1/16W J	1	K0_B
	R355	RK73HB1J102J	MG RESISTOR	1kΩ 1/16W J	1	K0_B
	R356	RK73HB1J101J	MG RESISTOR	100Ω 1/16W J	1	K0_B
	R357	RK73HB1J101J	MG RESISTOR	100Ω 1/16W J	1	K0_B
	R358	RK73HB1J101J	MG RESISTOR	100Ω 1/16W J	1	K0_B
	R359	RK73HB1J103J	MG RESISTOR	10kΩ 1/16W J	1	K0_B
	R360	RK73HB1J473J	MG RESISTOR	47kΩ 1/16W J	1	K0_B
	R362	RK73HB1J103J	MG RESISTOR	10kΩ 1/16W J	1	K0_B
	R363	RK73HB1J103J	MG RESISTOR	10kΩ 1/16W J	1	K0_B
	R366	RK73HB1J473J	MG RESISTOR	47kΩ 1/16W J	1	K0_B
	R367	RK73HB1J101J	MG RESISTOR	100Ω 1/16W J	1	K0_B
	R368	RK73HB1J101J	MG RESISTOR	100Ω 1/16W J	1	K0_B
	R369	RK73HB1J101J	MG RESISTOR	100Ω 1/16W J	1	K0_B
	R370	RK73HB1J101J	MG RESISTOR	100Ω 1/16W J	1	K0_B
	R371	RK73HB1J101J	MG RESISTOR	100Ω 1/16W J	1	K0_B
	R372	RK73HB1J101J	MG RESISTOR	100Ω 1/16W J	1	K0_B
	R373	RK73HB1J103J	MG RESISTOR	10kΩ 1/16W J	1	K0_B
	R374	RK73HB1J103J	MG RESISTOR	10kΩ 1/16W J	1	K0_B
	R375	RK73HB1J224J	MG RESISTOR	220kΩ 1/16W J	1	K0_B
	R376	RK73HB1J471J	MG RESISTOR	470Ω 1/16W J	1	K0_B
	R377	RK73HB1J823J	MG RESISTOR	82kΩ 1/16W J	1	K0_B
	R378	RK73HB1J103J	MG RESISTOR	10kΩ 1/16W J	1	K0_B
	R379	RK73HB1J124J	MG RESISTOR	120kΩ 1/16W J	1	K0_B
	R380	RK73HB1J472J	MG RESISTOR	4.7kΩ 1/16W J	1	K0_B
	R381	RK73HB1J101J	MG RESISTOR	100Ω 1/16W J	1	K0_B
	R382	RK73HB1J101J	MG RESISTOR	100Ω 1/16W J	1	K0_B
	R384	RK73HB1J000J	MG RESISTOR	0Ω 1/16W J	1	K0_B
	R385	RK73HB1J000J	MG RESISTOR	0Ω 1/16W J	1	K0_B
	R389	RK73HB1J473J	MG RESISTOR	47kΩ 1/16W J	1	K0_B
	R391	RK73HB1J101J	MG RESISTOR	100Ω 1/16W J	1	K0_B
	R392	RK73HB1J101J	MG RESISTOR	100Ω 1/16W J	1	K0_B
	R393	RK73HB1J473J	MG RESISTOR	47kΩ 1/16W J	1	K0_B
	R394	RK73HB1J103J	MG RESISTOR	10kΩ 1/16W J	1	K0_B
	R395	RK73HB1J102J	MG RESISTOR	1kΩ 1/16W J	1	K0_B
	R396	RK73HB1J473J	MG RESISTOR	47kΩ 1/16W J	1	K0_B
	R397	RK73HB1J473J	MG RESISTOR	47kΩ 1/16W J	1	K0_B
	R398	RK73HB1J473J	MG RESISTOR	47kΩ 1/16W J	1	K0_B
	R400	RK73HB1J473J	MG RESISTOR	47kΩ 1/16W J	1	K0_B
	R413	RK73GH2A472D	MG RESISTOR	4.7kΩ 1/10W D	1	K0_B
	R414	RK73GH2A472D	MG RESISTOR	4.7kΩ 1/10W D	1	K0_B
	R417	RK73HB1J152J	MG RESISTOR	1.5kΩ 1/16W J	1	K0_B
	R418	RK73HB1J152J	MG RESISTOR	1.5kΩ 1/16W J	1	K0_B
	R419	RK73HB1J681J	MG RESISTOR	680Ω 1/16W J	1	K0_B
	R420	RK73HB1J681J	MG RESISTOR	680Ω 1/16W J	1	K0_B
	R431	RK73HB1J000J	MG RESISTOR	0Ω 1/16W J	1	K0_B
	R432	RK73HB1J000J	MG RESISTOR	0Ω 1/16W J	1	K0_B
	R433	RK73HB1J000J	MG RESISTOR	0Ω 1/16W J	1	K0_B
	R437	RK73HB1J000J	MG RESISTOR	0Ω 1/16W J	1	K0_B
	R438	RK73HB1J000J	MG RESISTOR	0Ω 1/16W J	1	K0_B
	R439	RK73HB1J000J	MG RESISTOR	0Ω 1/16W J	1	K0_B
	R440	RK73GB2A000J	MG RESISTOR	0Ω 1/10W J	1	K0_B
	R501	RK73HB1J100J	MG RESISTOR	10Ω 1/16W J	1	K0_B
	R502	RK73HB1J473J	MG RESISTOR	47kΩ 1/16W J	1	K0_B
	R503	RK73HB1J473J	MG RESISTOR	47kΩ 1/16W J	1	K0_B
	R504	RK73HB1J473J	MG RESISTOR	47kΩ 1/16W J	1	K0_B
	R505	RK73HB1J473J	MG RESISTOR	47kΩ 1/16W J	1	K0_B
	R506	RK73HB1J473J	MG RESISTOR	47kΩ 1/16W J	1	K0_B
	R507	RK73HB1J473J	MG RESISTOR	47kΩ 1/16W J	1	K0_B
	R508	RK73HB1J103J	MG RESISTOR	10kΩ 1/16W J	1	K0_B
	R509	RK73HB1J103J	MG RESISTOR	10kΩ 1/16W J	1	K0_B
	R510	RK73HB1J203J	MG RESISTOR	20kΩ 1/16W J	1	K0_B
	R511	RK73HB1J203J	MG RESISTOR	20kΩ 1/16W J	1	K0_B
	R512	RK73HB1J203J	MG RESISTOR	20kΩ 1/16W J	1	K0_B
	R513	RK73HB1J203J	MG RESISTOR	20kΩ 1/16W J	1	K0_B
	R514	RK73HB1J103J	MG RESISTOR	10kΩ 1/16W J	1	K0_B
	R515	RK73HB1J103J	MG RESISTOR	10kΩ 1/16W J	1	K0_B
	R516	RK73HB1J203J	MG RESISTOR	20kΩ 1/16W J	1	K0_B
	R517	RK73HB1J203J	MG RESISTOR	20kΩ 1/16W J	1	K0_B

MODEL	MARK	MODEL	MARK
KW-V960BW	K0_A	KW-V960BW	K0_B

Safe	Symbol No.	Parts No.	Parts Name	Description	QTY	Local
	R518	RK73HB1J221J	MG RESISTOR	220Ω 1/16W J	1	K0_B
	R519	RK73HB1J221J	MG RESISTOR	220Ω 1/16W J	1	K0_B
	R521	RK73HB1J221J	MG RESISTOR	220Ω 1/16W J	1	K0_B
	R522	RK73HB1J221J	MG RESISTOR	220Ω 1/16W J	1	K0_B
	R525	RK73HB1J203J	MG RESISTOR	20kΩ 1/16W J	1	K0_B
	R526	RK73HB1J203J	MG RESISTOR	20kΩ 1/16W J	1	K0_B
	R527	RK73HB1J000J	MG RESISTOR	0Ω 1/16W J	1	K0_B
	R528	RK73HB1J000J	MG RESISTOR	0Ω 1/16W J	1	K0_B
	R529	RK73GB2A2R2J	MG RESISTOR	2.2Ω 1/10W J	1	K0_B
	R530	RK73HB1J101J	MG RESISTOR	100Ω 1/16W J	1	K0_B
	R531	RK73HB1J101J	MG RESISTOR	100Ω 1/16W J	1	K0_B
	R532	RK73HB1J101J	MG RESISTOR	100Ω 1/16W J	1	K0_B
	R534	RK73HB1J100J	MG RESISTOR	10Ω 1/16W J	1	K0_B
	R535	RK73HB1J100J	MG RESISTOR	10Ω 1/16W J	1	K0_B
	R536	RK73HB1J100J	MG RESISTOR	10Ω 1/16W J	1	K0_B
	R537	RK73GB2A100J	MG RESISTOR	10Ω 1/10W J	1	K0_B
	R538	RK73GB2A2R2J	MG RESISTOR	2.2Ω 1/10W J	1	K0_B
	R539	RK73HB1J221J	MG RESISTOR	220Ω 1/16W J	1	K0_B
	R540	RK73HB1J221J	MG RESISTOR	220Ω 1/16W J	1	K0_B
	R541	RK73HB1J221J	MG RESISTOR	220Ω 1/16W J	1	K0_B
	R542	RK73HB1J221J	MG RESISTOR	220Ω 1/16W J	1	K0_B
	R545	RK73HB1J101J	MG RESISTOR	100Ω 1/16W J	1	K0_B
	R546	RK73HB1J101J	MG RESISTOR	100Ω 1/16W J	1	K0_B
	R550	RK73HB1J472J	MG RESISTOR	4.7kΩ 1/16W J	1	K0_B
	R551	RK73HB1J222J	MG RESISTOR	2.2kΩ 1/16W J	1	K0_B
	R552	RK73HB1J101J	MG RESISTOR	100Ω 1/16W J	1	K0_B
	R553	RK73HB1J101J	MG RESISTOR	100Ω 1/16W J	1	K0_B
	R554	RK73HB1J101J	MG RESISTOR	100Ω 1/16W J	1	K0_B
	R555	RK73HB1J101J	MG RESISTOR	100Ω 1/16W J	1	K0_B
	R556	RK73HB1J101J	MG RESISTOR	100Ω 1/16W J	1	K0_B
	R559	RK73HB1J101J	MG RESISTOR	100Ω 1/16W J	1	K0_B
	R560	RK73HB1J101J	MG RESISTOR	100Ω 1/16W J	1	K0_B
	R561	RK73HB1J101J	MG RESISTOR	100Ω 1/16W J	1	K0_B
	R565	RK73HB1J101J	MG RESISTOR	100Ω 1/16W J	1	K0_B
	R566	RK73HB1J100J	MG RESISTOR	10Ω 1/16W J	1	K0_B
	R567	RK73HB1J100J	MG RESISTOR	10Ω 1/16W J	1	K0_B
	R568	RK73HB1J181J	MG RESISTOR	180Ω 1/16W J	1	K0_B
	R569	RK73HB1J223J	MG RESISTOR	22kΩ 1/16W J	1	K0_B
	R570	RK73HB1J100J	MG RESISTOR	10Ω 1/16W J	1	K0_B
	R574	RK73HB1J100J	MG RESISTOR	10Ω 1/16W J	1	K0_B
	R575	RK73HB1J100J	MG RESISTOR	10Ω 1/16W J	1	K0_B
	R577	RK73HB1J100J	MG RESISTOR	10Ω 1/16W J	1	K0_B
	R578	RK73GB2A2R2J	MG RESISTOR	2.2Ω 1/10W J	1	K0_B
	R579	RK73GB2A2R2J	MG RESISTOR	2.2Ω 1/10W J	1	K0_B
	R581	RK73HB1J101J	MG RESISTOR	100Ω 1/16W J	1	K0_B
	R582	RK73HB1J000J	MG RESISTOR	0Ω 1/16W J	1	K0_B
	R583	RK73HB1J000J	MG RESISTOR	0Ω 1/16W J	1	K0_B
	R584	RK73HB1J000J	MG RESISTOR	0Ω 1/16W J	1	K0_B
	R585	RK73GB2A000J	MG RESISTOR	0Ω 1/10W J	1	K0_B
	R586	RK73GB2A000J	MG RESISTOR	0Ω 1/10W J	1	K0_B
	R587	RK73HB1J392J	MG RESISTOR	3.9kΩ 1/16W J	1	K0_B
	R588	RK73HH1J221D	MG RESISTOR	220Ω 1/16W D	1	K0_B
	R589	RK73HH1J221D	MG RESISTOR	220Ω 1/16W D	1	K0_B
	R590	RK73HH1J221D	MG RESISTOR	220Ω 1/16W D	1	K0_B
	R591	RK73HH1J221D	MG RESISTOR	220Ω 1/16W D	1	K0_B
	R592	RK73HH1J221D	MG RESISTOR	220Ω 1/16W D	1	K0_B
	R593	RK73HH1J221D	MG RESISTOR	220Ω 1/16W D	1	K0_B
	R594	RK73HH1J221D	MG RESISTOR	220Ω 1/16W D	1	K0_B
	R595	RK73HH1J221D	MG RESISTOR	220Ω 1/16W D	1	K0_B
	R596	RK73HB1J223J	MG RESISTOR	22kΩ 1/16W J	1	K0_B
	R597	RK73HB1J471J	MG RESISTOR	470Ω 1/16W J	1	K0_B
	R598	RK73HB1J471J	MG RESISTOR	470Ω 1/16W J	1	K0_B
	R599	RK73GB2A000J	MG RESISTOR	0Ω 1/10W J	1	K0_B
	R600	RK73GB2A000J	MG RESISTOR	0Ω 1/10W J	1	K0_B
	R605	RK73GB2A000J	MG RESISTOR	0Ω 1/10W J	1	K0_B
	R607	RK73HB1J000J	MG RESISTOR	0Ω 1/16W J	1	K0_B
	R609	RK73HB1J203J	MG RESISTOR	20kΩ 1/16W J	1	K0_B
	R610	RK73HB1J203J	MG RESISTOR	20kΩ 1/16W J	1	K0_B
	R612	RK73HB1J304J	MG RESISTOR	300kΩ 1/16W J	1	K0_B
	R614	RK73HB1J304J	MG RESISTOR	300kΩ 1/16W J	1	K0_B
	R616	RK73HB1J223J	MG RESISTOR	22kΩ 1/16W J	1	K0_B
	R617	RK73HB1J223J	MG RESISTOR	22kΩ 1/16W J	1	K0_B
	R618	RK73HB1J333J	MG RESISTOR	33kΩ 1/16W J	1	K0_B
	R620	RK73HB1J123J	MG RESISTOR	12kΩ 1/16W J	1	K0_B
	R622	RK73GB2A2R2J	MG RESISTOR	2.2Ω 1/10W J	1	K0_B
	R624	RK73HB1J752J	MG RESISTOR	7.5kΩ 1/16W J	1	K0_B
	R625	RK73HB1J101J	MG RESISTOR	100Ω 1/16W J	1	K0_B
	R801	RK73HB1J000J	MG RESISTOR	0Ω 1/16W J	1	K0_B
	R803	RK73HB1J000J	MG RESISTOR	0Ω 1/16W J	1	K0_B
	R805	RK73HB1J220J	MG RESISTOR	22Ω 1/16W J	1	K0_B
	R806	RK73HB1J220J	MG RESISTOR	22Ω 1/16W J	1	K0_B
	R811	RK73PB2H100J	MG RESISTOR	10Ω 1/2W J	1	K0_B
	R812	RK73HB1J151J	MG RESISTOR	150Ω 1/16W J	1	K0_B
	R813	RK73HB1J103J	MG RESISTOR	10kΩ 1/16W J	1	K0_B
	R814	RK73HB1J102J	MG RESISTOR	1kΩ 1/16W J	1	K0_B
	R816	RK73HB1J101J	MG RESISTOR	100Ω 1/16W J	1	K0_B
	R817	RK73HB1J103J	MG RESISTOR	10kΩ 1/16W J	1	K0_B
	R818	RK73HB1J223J	MG RESISTOR	22kΩ 1/16W J	1	K0_B
	RA261	RK74GB1J301J	MG RESISTOR	300Ω 1/16W J	1	K0_B
	RA281	RK74GB1J301J	MG RESISTOR	300Ω 1/16W J	1	K0_B
	RA282	RK74GB1J301J	MG RESISTOR	300Ω 1/16W J	1	K0_B
	RA283	RK74GB1J301J	MG RESISTOR	300Ω 1/16W J	1	K0_B

MODEL	MARK	MODEL	MARK
KW-V960BW	K0_A	KW-V960BW	K0_B

Safe	Symbol No.	Parts No.	Parts Name	Description	QTY	Local
	L32	LR79Z0DY100M	CHIP INDUCTOR		1	K0_B
	L92	LR79Z0DY100M	CHIP INDUCTOR		1	K0_B
	L132	LR79Z0DY100M	CHIP INDUCTOR		1	K0_B
	L231	LR73Z0AC100K	CHIP INDUCTOR		1	K0_B
	L301	LB73G0FK-001	CHIP FERRITE		1	K0_B
	L431	LR79Z0AG100M	CHIP INDUCTOR		1	K0_B
	L801	LK73H0AM27NJ	M.CHIP INDUCTOR	27nH	1	K0_B
	L802	LR79H0HU7N5G	CHIP INDUCTOR		1	K0_B
	L803	LB73H0DZ-001	CHIP FERRITE		1	K0_B
	CN1	EA120AP-2004A	W TO B CONNE		1	K0_B
	CN71	EA710AT-1004A	W TO B CONNE		1	K0_B
	CN121	EA110AP-2004A	W TO B CONNE		1	K0_B
	CN201	EA120CK-2004A	W TO B CONNE		1	K0_B
	CN281	EA110AP-2005A	W TO B CONNE		1	K0_B
	CN301	EA720AT-1008A	W TO B CONNE		1	K0_B
	CN303	EC720AA-0510A	FFC FPC CONNE		1	K0_B
	CN431	EC710AM-0535A	FFC FPC CONNE		1	K0_B
	CN601	EB770AX-05C0A	B TO B CONNE		1	K0_B
	CN602	EC720AA-0550A	FFC FPC CONNE		1	K0_B
	CN603	EC720AA-0560A	FFC FPC CONNE		1	K0_B
△	F1	FZA10BZ-7R0	FUSE (CC)		1	K0_B
△	F201	F53-0513-08	PATTERN FUSE	4A	1	K0_B
△	F202	F53-0513-08	PATTERN FUSE	4A	1	K0_B
△	F261	F53-0513-08	PATTERN FUSE	4A	1	K0_B
△	F281	F53-0513-08	PATTERN FUSE	4A	1	K0_B
△	F401	F53-0513-08	PATTERN FUSE	4A	1	K0_B
△	F411	F53-0513-08	PATTERN FUSE	4A	1	K0_B
△	F431	FZA10BF-1R0	FUSE (CC)		1	K0_B
	FL801	L7K-0072-00	FILTER		1	K0_B
	J261	E1B-0042-00	3.5D PHONE JACK		1	K0_B
	J601	E1B-0041-00	3.5D PHONE JACK		1	K0_B
	J801	E5J-0023-00	R.RECEPTACLE		1	K0_B
	VA204	SDV1005A14//0	VARIATOR		1	K0_B
	VA205	SDV1005A14//0	VARIATOR		1	K0_B
	VA261	SDV1005E18//1	VARIATOR		1	K0_B
	VA262	SDV1005E18//1	VARIATOR		1	K0_B
	VA263	SDV1005A14//0	VARIATOR		1	K0_B
	VA264	SDV1005A14//0	VARIATOR		1	K0_B
	VA281	SDV1005E18//1	VARIATOR		1	K0_B
	VA282	SDV1005E18//1	VARIATOR		1	K0_B
	VA283	SDV1005E18//1	VARIATOR		1	K0_B
	VA284	SDV1005E18//1	VARIATOR		1	K0_B
	VA802	F0K-0040-00	SURGE ABSORBER		1	K0_B
	X301	L7J-0099-00	QUARTZ CRYSTAL		1	K0_B
	X501	L7J-0026-00	QUARTZ CRYSTAL		1	K0_B
	X801	L7H-0159-00	TCXO		1	K0_B
	X802	L7J-0095-00	QUARTZ CRYSTAL		1	K0_B
GYRO PWB ASSY (XJ5-005K-00) <XJ5>						
	C1	CK73JXR1A104K	C CAPACITOR	0.1uF 10V K	1	
	C2	CK73JXR1A104K	C CAPACITOR	0.1uF 10V K	1	
	R1	RK73HB1J181J	MG RESISTOR	180Ω 1/16W J	1	
	R2	RK73HB1J181J	MG RESISTOR	180Ω 1/16W J	1	
	R3	RK73HB1J101J	MG RESISTOR	100Ω 1/16W J	1	
	R4	RK73HB1J181J	MG RESISTOR	180Ω 1/16W J	1	
	R5	RK73HB1J181J	MG RESISTOR	180Ω 1/16W J	1	
	R6	RK73HB1J101J	MG RESISTOR	100Ω 1/16W J	1	
	R7	RK73HB1J000J	MG RESISTOR	0Ω 1/16W J	1	
	CN1	EC720AA-0510A	FFC FPC CONNE		1	
	SN1	-----	SENSOR	NO SERVICE PART	1	
AUDIO PWB ASSY (XJ6-156K-09) <XJ5>						
	IC1	LV5680NPVC-H	MOS IC		1	
	IC31	NJU7108F3	MOS IC		1	
	IC41	XC6223B331P-G	ANALOG IC		1	
	IC101	JCV8031	ANALOG IC		1	
	IC115	TC7SH17FUJC	MOS IC		1	
	IC201	TDA7715LV-1	ANALOG IC		1	
	IC202	NJM4580CV	ANALOG IC		1	
	IC203	NJM4580CV	ANALOG IC		1	
	IC251	NJM4580CV	ANALOG IC		1	
	IC252	NJM4580CV	ANALOG IC		1	
	IC261	NJM2794RB2	BIPOLAR IC		1	
	IC290	TC74HCT4053FT	MOS IC		1	
	IC301	XC6223B331P-G	ANALOG IC		1	
	IC302	SDP2012AHNV25	MOS IC	QFN	1	
	IC511	TC7SET32FUJC	MOS IC		1	
	IC512	TC7SH17FUJC	MOS IC		1	
	IC601	NJW1240V	MOS IC		1	
	IC851	NJM2903CV	MOS IC		1	
	IC852	TC7SH126FUJC	MOS IC		1	
	Q11	2SB1689	TRANSISTOR		1	
	Q12	KRC407E-P	DIGI TRANSISTOR		1	
	Q51	KTC4075EP/Y/	TRANSISTOR		1	
	Q80	KRA307E-P	TRANSISTOR		1	
	Q81	KTA2014EP/Y/	TRANSISTOR		1	
	Q82	KTC4075EP/Y/	TRANSISTOR		1	
	Q90	KRC403E-P	DIGI TRANSISTOR		1	
	Q96	KTC4075EP/Y/	TRANSISTOR		1	
	Q151	KRC407E-P	DIGI TRANSISTOR		1	
	Q152	KRA306E-P	TRANSISTOR		1	
	Q155	KRC407E-P	DIGI TRANSISTOR		1	
	Q156	KRA306E-P	TRANSISTOR		1	
	Q161	KRC410E-P	DIGI TRANSISTOR		1	
	Q162	KRC410E-P	DIGI TRANSISTOR		1	

MODEL	MARK	MODEL	MARK
KW-V960BW	K0_A	KW-V960BW	K0_B

Safe	Symbol No.	Parts No.	Parts Name	Description	QTY	Local
	Q163	KRC410E-P	DIGI TRANSISTOR		1	
	Q164	KRC410E-P	DIGI TRANSISTOR		1	
	Q165	KRC410E-P	DIGI TRANSISTOR		1	
	Q166	KRC410E-P	DIGI TRANSISTOR		1	
	Q191	KRA306E-P	TRANSISTOR		1	
	Q193	KRC410E-P	DIGI TRANSISTOR		1	
	Q194	KRC410E-P	DIGI TRANSISTOR		1	
	D1	D4F60-53	DIODE		1	
	D11	RB161MM-20	SCHOTTKY DIODE		1	
	D32	BZT52B16LSHF	ZENER DIODE		1	
	D41	GS1J-LTP	DIODE		1	
	D42	GS1J-LTP	DIODE		1	
	D43	GS1J-LTP	DIODE		1	
	D44	GS1J-LTP	DIODE		1	
	D55	BZT52B6V2LSHF	ZENER DIODE		1	
	D71	DAP202UM	DIODE		1	
	D80	1SS355-HF	DIODE		1	
	D90	1SS355-HF	DIODE		1	
	D96	BZT52B16LSHF	ZENER DIODE		1	
	D101	DAP202UM	DIODE		1	
	D151	DAP202UM	DIODE		1	
	D155	DAP202UM	DIODE		1	
	D191	DAP202UM	DIODE		1	
	D202	1SS355-HF	DIODE		1	
	D203	DAP202UM	DIODE		1	
	D204	DAP202UM	DIODE		1	
	D205	DAP202UM	DIODE		1	
	D270	1SS355-HF	DIODE		1	
	D271	BZT52B4V7LSHF	ZENER DIODE		1	
	D301	GS1J-LTP	DIODE		1	
	C1	CD04AZ1C332M2	E CAPACITOR	3300uF 16V M	1	
	C11	CE32CB1V101M	E CAPACITOR	100uF 35V M	1	
	C12	CK73JXR1H103K	C CAPACITOR	0.01uF 50V K	1	
	C13	CE32CB1C470M	E CAPACITOR	47uF 16V M	1	
	C14	CE32CB1C470M	E CAPACITOR	47uF 16V M	1	
	C15	CE32CB1A101M	E CAPACITOR	100uF 10V M	1	
	C16	CE32CC1C221M	E CAPACITOR	220uF 16V M	1	
	C18	CK73FXR1E106K	C CAPACITOR	10uF 25V K	1	
	C19	CK73FXR1E106K	C CAPACITOR	10uF 25V K	1	
	C20	CE32CC1C221M	E CAPACITOR	220uF 16V M	1	
	C21	CK73HXR1H104K	C CAPACITOR	0.1uF 50V K	1	
	C22	CE32CC1C221M	E CAPACITOR	220uF 16V M	1	
	C23	CK73HXR1C105K	C CAPACITOR	1uF 16V K	1	
	C24	CK73JXR1E104K	C CAPACITOR	0.1uF 25V K	1	
	C25	CK73JXR1C224K	C CAPACITOR	0.22uF 16V K	1	
	C26	CK73JXR1A104K	C CAPACITOR	0.1uF 10V K	1	
	C27	CE32CC1C221M	E CAPACITOR	220uF 16V M	1	
	C28	CE32CC1C221M	E CAPACITOR	220uF 16V M	1	
	C31	CK73JXR1H103K	C CAPACITOR	0.01uF 50V K	1	
	C32	CK73JXR1H103K	C CAPACITOR	0.01uF 50V K	1	
	C41	CK73GXR1E225K	C CAPACITOR	2.2uF 25V K	1	
	C42	CK73HXR0J225K	C CAPACITOR	2.2uF 6.3V K	1	
	C51	CK73JXR1H103K	C CAPACITOR	0.01uF 50V K	1	
	C52	CK73HXR1C105K	C CAPACITOR	1uF 16V K	1	
	C71	CK73HXR1H104K	C CAPACITOR	0.1uF 50V K	1	
	C80	CK73GXR1E225K	C CAPACITOR	2.2uF 25V K	1	
	C90	CK73JXR1H103K	C CAPACITOR	0.01uF 50V K	1	
	C96	CK73JXR1H103K	C CAPACITOR	0.01uF 50V K	1	
	C97	CK73JXR1H103K	C CAPACITOR	0.01uF 50V K	1	
	C100	CE32CB1C100M	E CAPACITOR	10uF 16V M	1	
	C101	CK73HXR1E474K	C CAPACITOR	0.47uF 25V K	1	
	C102	CK73HXR1E474K	C CAPACITOR	0.47uF 25V K	1	
	C103	CK73HXR1E474K	C CAPACITOR	0.47uF 25V K	1	
	C104	CK73HXR1E474K	C CAPACITOR	0.47uF 25V K	1	
	C105	CC73JCH1H050C	C CAPACITOR	5pF 50V C	1	
	C106	CC73JCH1H050C	C CAPACITOR	5pF 50V C	1	
	C109	CK73HXR1E474K	C CAPACITOR	0.47uF 25V K	1	
	C110	CK73HXR1E474K	C CAPACITOR	0.47uF 25V K	1	
	C111	CK73HXR1E474K	C CAPACITOR	0.47uF 25V K	1	
	C112	CK73HXR1E474K	C CAPACITOR	0.47uF 25V K	1	
	C113	CK73HXR1E474K	C CAPACITOR	0.47uF 25V K	1	
	C114	CK73HXR1E474K	C CAPACITOR	0.47uF 25V K	1	
	C115	CK73JXR1A104K	C CAPACITOR	0.1uF 10V K	1	
	C121	CK73JXR1H102K	C CAPACITOR	1000pF 50V K	1	
	C122	CK73JXR1H102K	C CAPACITOR	1000pF 50V K	1	
	C123	CK73JXR1H102K	C CAPACITOR	1000pF 50V K	1	
	C124	CK73JXR1H102K	C CAPACITOR	1000pF 50V K	1	
	C125	CK73JXR1H102K	C CAPACITOR	1000pF 50V K	1	
	C126	CK73JXR1H102K	C CAPACITOR	1000pF 50V K	1	
	C127	CK73JXR1H102K	C CAPACITOR	1000pF 50V K	1	
	C128	CK73JXR1H102K	C CAPACITOR	1000pF 50V K	1	
	C131	CC73JCH1H221J	C CAPACITOR	220pF 50V J	1	
	C132	CC73JCH1H221J	C CAPACITOR	220pF 50V J	1	
	C133	CC73JCH1H221J	C CAPACITOR	220pF 50V J	1	
	C134	CC73JCH1H221J	C CAPACITOR	220pF 50V J	1	
	C135	CC73JCH1H221J	C CAPACITOR	220pF 50V J	1	
	C136	CC73JCH1H221J	C CAPACITOR	220pF 50V J	1	
	C137	CC73JCH1H221J	C CAPACITOR	220pF 50V J	1	
	C138	CC73JCH1H221J	C CAPACITOR	220pF 50V J	1	
	C145	CK73HXR1C105K	C CAPACITOR	1uF 16V K	1	
	C146	CK73HXR1C105K	C CAPACITOR	1uF 16V K	1	
	C151	CE32CB1C100M	E CAPACITOR	10uF 16V M	1	

MODEL	MARK	MODEL	MARK
KW-V960BW	K0_A	KW-V960BW	K0_B

Safe	Symbol No.	Parts No.	Parts Name	Description	QTY	Local
	C152	CE32CB1C100M	E CAPACITOR	10uF 16V M	1	
	C153	CK73EXR1E106K	C CAPACITOR	10uF 25V K	1	
	C154	CK73EXR1E106K	C CAPACITOR	10uF 25V K	1	
	C155	CK73EXR1E106K	C CAPACITOR	10uF 25V K	1	
	C156	CK73EXR1E106K	C CAPACITOR	10uF 25V K	1	
	C171	CK73JXR1H102K	C CAPACITOR	1000pF 50V K	1	
	C172	CK73JXR1H102K	C CAPACITOR	1000pF 50V K	1	
	C173	CK73JXR1H102K	C CAPACITOR	1000pF 50V K	1	
	C174	CK73JXR1H102K	C CAPACITOR	1000pF 50V K	1	
	C175	CK73JXR1H102K	C CAPACITOR	1000pF 50V K	1	
	C176	CK73JXR1H102K	C CAPACITOR	1000pF 50V K	1	
	C177	CK73JXR1H102K	C CAPACITOR	1000pF 50V K	1	
	C191	CK73EXR1E106K	C CAPACITOR	10uF 25V K	1	
	C192	CK73EXR1E106K	C CAPACITOR	10uF 25V K	1	
	C195	CK73JXR1H102K	C CAPACITOR	1000pF 50V K	1	
	C196	CK73JXR1H102K	C CAPACITOR	1000pF 50V K	1	
	C197	CK73JXR1H102K	C CAPACITOR	1000pF 50V K	1	
	C201	CE32CB1C470M	E CAPACITOR	47uF 16V M	1	
	C202	CK73JXR1H103K	C CAPACITOR	0.01uF 50V K	1	
	C203	CK73JXR1H103K	C CAPACITOR	0.01uF 50V K	1	
	C204	CK73FXR1E106K	C CAPACITOR	10uF 25V K	1	
	C205	CK73HXR1C105K	C CAPACITOR	1uF 16V K	1	
	C206	CK73HXR1C105K	C CAPACITOR	1uF 16V K	1	
	C208	CK73HXR1C105K	C CAPACITOR	1uF 16V K	1	
	C211	CK73HXR1C105K	C CAPACITOR	1uF 16V K	1	
	C212	CK73HXR1C105K	C CAPACITOR	1uF 16V K	1	
	C215	CK73HXR1C105K	C CAPACITOR	1uF 16V K	1	
	C216	CK73HXR1C105K	C CAPACITOR	1uF 16V K	1	
	C219	CK73HXR1C105K	C CAPACITOR	1uF 16V K	1	
	C220	CK73HXR1C105K	C CAPACITOR	1uF 16V K	1	
	C223	CK73HXR1C105K	C CAPACITOR	1uF 16V K	1	
	C224	CK73HXR1C105K	C CAPACITOR	1uF 16V K	1	
	C225	CK73FXR1E106K	C CAPACITOR	10uF 25V K	1	
	C227	CK73HXR1C105K	C CAPACITOR	1uF 16V K	1	
	C228	CK73HXR1C105K	C CAPACITOR	1uF 16V K	1	
	C234	CK73JXR1H103K	C CAPACITOR	0.01uF 50V K	1	
	C235	CK73JXR1H103K	C CAPACITOR	0.01uF 50V K	1	
	C236	CK73JXR1E104K	C CAPACITOR	0.1uF 25V K	1	
	C237	CK73HXR1C105K	C CAPACITOR	1uF 16V K	1	
	C238	CK73HXR1C105K	C CAPACITOR	1uF 16V K	1	
	C239	CK73JXR1E104K	C CAPACITOR	0.1uF 25V K	1	
	C241	CK73FXR1A106K	C CAPACITOR	10uF 10V K	1	
	C243	CC73JCH1H100D	C CAPACITOR	10pF 50V D	1	
	C244	CC73JCH1H100D	C CAPACITOR	10pF 50V D	1	
	C251	CK73GXR1E225K	C CAPACITOR	2.2uF 25V K	1	
	C252	CK73GXR1E225K	C CAPACITOR	2.2uF 25V K	1	
	C253	CC73HCH1H100D	C CAPACITOR	10pF 50V D	1	
	C254	CC73HCH1H100D	C CAPACITOR	10pF 50V D	1	
	C255	CC73HCH1H100D	C CAPACITOR	10pF 50V D	1	
	C256	CC73HCH1H100D	C CAPACITOR	10pF 50V D	1	
	C260	CK73JXR1E104K	C CAPACITOR	0.1uF 25V K	1	
	C271	CK73FXR1E106K	C CAPACITOR	10uF 25V K	1	
	C272	CK73FXR1E106K	C CAPACITOR	10uF 25V K	1	
	C273	CK73FXR1E106K	C CAPACITOR	10uF 25V K	1	
	C274	CK73FXR1E106K	C CAPACITOR	10uF 25V K	1	
	C275	CK73HXR1C105K	C CAPACITOR	1uF 16V K	1	
	C276	CK73HXR1C105K	C CAPACITOR	1uF 16V K	1	
	C277	CK73HXR1C105K	C CAPACITOR	1uF 16V K	1	
	C278	CK73HXR1C105K	C CAPACITOR	1uF 16V K	1	
	C279	CK73JXR1C103K	C CAPACITOR	0.01uF 16V K	1	
	C283	CK73JXR1H102K	C CAPACITOR	1000pF 50V K	1	
	C284	CK73JXR1H102K	C CAPACITOR	1000pF 50V K	1	
	C285	CK73JXR1H102K	C CAPACITOR	1000pF 50V K	1	
	C287	CK73GXR1E225K	C CAPACITOR	2.2uF 25V K	1	
	C288	CK73GXR1E225K	C CAPACITOR	2.2uF 25V K	1	
	C289	CK73GXR1E225K	C CAPACITOR	2.2uF 25V K	1	
	C290	CK73JXR1H102K	C CAPACITOR	1000pF 50V K	1	
	C291	CK73JXR1H102K	C CAPACITOR	1000pF 50V K	1	
	C292	CK73JXR1H102K	C CAPACITOR	1000pF 50V K	1	
	C293	CK73FXR1E106K	C CAPACITOR	10uF 25V K	1	
	C294	CK73JXR1E104K	C CAPACITOR	0.1uF 25V K	1	
	C301	CK73GXR1E225K	C CAPACITOR	2.2uF 25V K	1	
	C302	CK73JXR1A104K	C CAPACITOR	0.1uF 10V K	1	
	C303	CK73JXR1H102K	C CAPACITOR	1000pF 50V K	1	
	C304	CK73JXR1A104K	C CAPACITOR	0.1uF 10V K	1	
	C305	CK73GXR1A106K	C CAPACITOR	10uF 10V K	1	
	C308	CK73FXR0J106K	C CAPACITOR	10uF 6.3V K	1	
	C309	CK73FXR0J106K	C CAPACITOR	10uF 6.3V K	1	
	C310	CK73JXR1A104K	C CAPACITOR	0.1uF 10V K	1	
	C312	CK73JXR1H103K	C CAPACITOR	0.01uF 50V K	1	
	C313	CK73JXR1A104K	C CAPACITOR	0.1uF 10V K	1	
	C316	CK73JXR1A104K	C CAPACITOR	0.1uF 10V K	1	
	C317	CK73JXR1C224K	C CAPACITOR	0.22uF 16V K	1	
	C318	CC73JCH1E102J	C CAPACITOR	1000pF 25V J	1	
	C319	CK73JXR1A104K	C CAPACITOR	0.1uF 10V K	1	
	C323	CC73JCH1H220J	C CAPACITOR	22pF 50V J	1	
	C324	CC73JCH1H220J	C CAPACITOR	22pF 50V J	1	
	C325	CC73JCH1H151J	C CAPACITOR	150pF 50V J	1	
	C328	CC73JCH1E102J	C CAPACITOR	1000pF 25V J	1	
	C329	CC73JCH1H010C	C CAPACITOR	1pF 50V C	1	
	C330	CC73JCH1H090C	C CAPACITOR	9pF 50V C	1	
	C331	CC73JCH1E102J	C CAPACITOR	1000pF 25V J	1	
	C332	CK73JXR1H152K	C CAPACITOR	1500pF 50V K	1	

MODEL	MARK	MODEL	MARK
KW-V960BW	K0_A	KW-V960BW	K0_B

Safe	Symbol No.	Parts No.	Parts Name	Description	QTY	Local
	C501	CK73GXR1E225K	C CAPACITOR	2.2uF 25V K	1	
	C502	CK73GXR1E225K	C CAPACITOR	2.2uF 25V K	1	
	C503	CK73GXR1E225K	C CAPACITOR	2.2uF 25V K	1	
	C511	CK73JXR1A104K	C CAPACITOR	0.1uF 10V K	1	
	C512	CK73JXR1A104K	C CAPACITOR	0.1uF 10V K	1	
	C601	CE32CB1C100M	E CAPACITOR	10uF 16V M	1	
	C602	CE32CB1C100M	E CAPACITOR	10uF 16V M	1	
	C603	CK73EXR1E106K	C CAPACITOR	10uF 25V K	1	
	C604	CK73EXR1E106K	C CAPACITOR	10uF 25V K	1	
	C605	CK73EXR1E106K	C CAPACITOR	10uF 25V K	1	
	C606	CK73EXR1E106K	C CAPACITOR	10uF 25V K	1	
	C610	CK73FXR1E106K	C CAPACITOR	10uF 25V K	1	
	C611	CK73JXR1H103K	C CAPACITOR	0.01uF 50V K	1	
	C612	CK73HXR1C105K	C CAPACITOR	1uF 16V K	1	
	C613	CK73HXR1C105K	C CAPACITOR	1uF 16V K	1	
	C614	CK73HXR1C105K	C CAPACITOR	1uF 16V K	1	
	C616	CK73HXR1C105K	C CAPACITOR	1uF 16V K	1	
	C618	CK73HXR1C105K	C CAPACITOR	1uF 16V K	1	
	C619	CK73JXR1H102K	C CAPACITOR	1000pF 50V K	1	
	C711	CK73GXR1C475K	C CAPACITOR	4.7uF 16V K	1	
	C712	CK73GXR1C475K	C CAPACITOR	4.7uF 16V K	1	
	C713	CK73GXR1C475K	C CAPACITOR	4.7uF 16V K	1	
	C714	CK73GXR1C475K	C CAPACITOR	4.7uF 16V K	1	
	C715	CK73GXR1C475K	C CAPACITOR	4.7uF 16V K	1	
	C716	CK73GXR1C475K	C CAPACITOR	4.7uF 16V K	1	
	C721	CK73GXR1C475K	C CAPACITOR	4.7uF 16V K	1	
	C722	CK73GXR1C475K	C CAPACITOR	4.7uF 16V K	1	
	C851	CK73JXR1H472K	C CAPACITOR	4700pF 50V K	1	
	C852	CK73JXR1H472K	C CAPACITOR	4700pF 50V K	1	
	C854	CK73JXR1H103K	C CAPACITOR	0.01uF 50V K	1	
	C855	CK73JXR1H103K	C CAPACITOR	0.01uF 50V K	1	
	R13	RK73HB1J102J	MG RESISTOR	1kΩ 1/16W J	1	
	R15	RK73HH1J273D	MG RESISTOR	27kΩ 1/16W D	1	
	R17	RK73HH1J472D	MG RESISTOR	4.7kΩ 1/16W D	1	
	R18	RK73HB1J101J	MG RESISTOR	100Ω 1/16W J	1	
	R19	RK73HB1J101J	MG RESISTOR	100Ω 1/16W J	1	
	R24	RK73FB2B000J	MG RESISTOR	0Ω 1/8W J	1	
	R30	RK73HB1J473J	MG RESISTOR	47kΩ 1/16W J	1	
	R31	RK73EB2E622J	MG RESISTOR	6.2kΩ 1/4W J	1	
	R32	RK73EB2E622J	MG RESISTOR	6.2kΩ 1/4W J	1	
	R33	RK73HH1J113D	MG RESISTOR	11kΩ 1/16W D	1	
	R34	RK73HH1J104D	MG RESISTOR	100kΩ 1/16W D	1	
	R35	RK73HH1J563D	MG RESISTOR	56kΩ 1/16W D	1	
	R36	RK73HH1J474D	MG RESISTOR	470kΩ 1/16W D	1	
	R37	RK73EB2E153J	MG RESISTOR	15kΩ 1/4W J	1	
	R38	RK73GH2A333D	MG RESISTOR	33kΩ 1/10W D	1	
	R39	RK73HB1J273J	MG RESISTOR	27kΩ 1/16W J	1	
	R41	RK73FB2B472J	MG RESISTOR	4.7kΩ 1/8W J	1	
	R42	RK73FB2B472J	MG RESISTOR	4.7kΩ 1/8W J	1	
	R50	RK73HB1J223J	MG RESISTOR	22kΩ 1/16W J	1	
	R51	RK73GB2A472J	MG RESISTOR	4.7kΩ 1/10W J	1	
	R52	RK73GB2A472J	MG RESISTOR	4.7kΩ 1/10W J	1	
	R53	RK73GB2A223J	MG RESISTOR	22kΩ 1/10W J	1	
	R54	RK73HB1J333J	MG RESISTOR	33kΩ 1/16W J	1	
	R55	RK73GB2A152J	MG RESISTOR	1.5kΩ 1/10W J	1	
	R68	RK73HB1J223J	MG RESISTOR	22kΩ 1/16W J	1	
	R72	RK73HB1J123J	MG RESISTOR	12kΩ 1/16W J	1	
	R73	RK73HB1J683J	MG RESISTOR	68kΩ 1/16W J	1	
	R74	RK73HB1J103J	MG RESISTOR	10kΩ 1/16W J	1	
	R80	RK73HB1J471J	MG RESISTOR	470Ω 1/16W J	1	
	R81	RK73HB1J473J	MG RESISTOR	47kΩ 1/16W J	1	
	R82	RK73FB2B103J	MG RESISTOR	10kΩ 1/8W J	1	
	R83	RK73HB1J223J	MG RESISTOR	22kΩ 1/16W J	1	
	R84	RK73HB1J473J	MG RESISTOR	47kΩ 1/16W J	1	
	R85	RK73HB1J000J	MG RESISTOR	0Ω 1/16W J	1	
	R90	RK73GB2A272J	MG RESISTOR	2.7kΩ 1/10W J	1	
	R91	RK73HB1J102J	MG RESISTOR	1kΩ 1/16W J	1	
	R96	RK73FB2B752J	MG RESISTOR	7.5kΩ 1/8W J	1	
	R97	RK73HB1J753J	MG RESISTOR	75kΩ 1/16W J	1	
	R100	RK73HB1J473J	MG RESISTOR	47kΩ 1/16W J	1	
	R101	RK73HB1J000J	MG RESISTOR	0Ω 1/16W J	1	
	R102	RK73HB1J000J	MG RESISTOR	0Ω 1/16W J	1	
	R103	RK73HB1J000J	MG RESISTOR	0Ω 1/16W J	1	
	R104	RK73HB1J000J	MG RESISTOR	0Ω 1/16W J	1	
	R115	RK73HB1J101J	MG RESISTOR	100Ω 1/16W J	1	
	R140	RK73HB1J473J	MG RESISTOR	47kΩ 1/16W J	1	
	R142	RK73HB1J331J	MG RESISTOR	330Ω 1/16W J	1	
	R143	RK73HB1J223J	MG RESISTOR	22kΩ 1/16W J	1	
	R144	RK73HB1J751J	MG RESISTOR	750Ω 1/16W J	1	
	R145	RK73HB1J333J	MG RESISTOR	33kΩ 1/16W J	1	
	R146	RK73HB1J3R0J	MG RESISTOR	3.0Ω 1/16W J	1	
	R151	RK73HB1J471J	MG RESISTOR	470Ω 1/16W J	1	
	R152	RK73HB1J471J	MG RESISTOR	470Ω 1/16W J	1	
	R153	RK73HB1J471J	MG RESISTOR	470Ω 1/16W J	1	
	R154	RK73HB1J471J	MG RESISTOR	470Ω 1/16W J	1	
	R155	RK73HB1J471J	MG RESISTOR	470Ω 1/16W J	1	
	R156	RK73HB1J471J	MG RESISTOR	470Ω 1/16W J	1	
	R159	RK73HB1J473J	MG RESISTOR	47kΩ 1/16W J	1	
	R161	RK73HB1J223J	MG RESISTOR	22kΩ 1/16W J	1	
	R162	RK73HB1J223J	MG RESISTOR	22kΩ 1/16W J	1	
	R163	RK73HB1J223J	MG RESISTOR	22kΩ 1/16W J	1	
	R164	RK73HB1J223J	MG RESISTOR	22kΩ 1/16W J	1	

MODEL	MARK	MODEL	MARK
KW-V960BW	K0_A	KW-V960BW	K0_B

Safe	Symbol No.	Parts No.	Parts Name	Description	QTY	Local
	R165	RK73HB1J223J	MG RESISTOR	22kΩ 1/16W J	1	
	R166	RK73HB1J223J	MG RESISTOR	22kΩ 1/16W J	1	
	R171	RK73GB2A101J	MG RESISTOR	100Ω 1/10W J	1	
	R172	RK73GB2A101J	MG RESISTOR	100Ω 1/10W J	1	
	R173	RK73GB2A101J	MG RESISTOR	100Ω 1/10W J	1	
	R174	RK73GB2A101J	MG RESISTOR	100Ω 1/10W J	1	
	R175	RK73GB2A101J	MG RESISTOR	100Ω 1/10W J	1	
	R191	RK73HB1J471J	MG RESISTOR	470Ω 1/16W J	1	
	R192	RK73HB1J471J	MG RESISTOR	470Ω 1/16W J	1	
	R193	RK73HB1J223J	MG RESISTOR	22kΩ 1/16W J	1	
	R194	RK73HB1J223J	MG RESISTOR	22kΩ 1/16W J	1	
	R195	RK73GB2A101J	MG RESISTOR	100Ω 1/10W J	1	
	R196	RK73GB2A101J	MG RESISTOR	100Ω 1/10W J	1	
	R201	RK73GB2A2R2J	MG RESISTOR	2.2Ω 1/10W J	1	
	R202	RK73HB1J102J	MG RESISTOR	1kΩ 1/16W J	1	
	R204	RK73HB1J103J	MG RESISTOR	10kΩ 1/16W J	1	
	R205	RK73HB1J101J	MG RESISTOR	100Ω 1/16W J	1	
	R206	RK73HB1J101J	MG RESISTOR	100Ω 1/16W J	1	
	R211	RK73HH1J104D	MG RESISTOR	100kΩ 1/16W D	1	
	R212	RK73HH1J104D	MG RESISTOR	100kΩ 1/16W D	1	
	R213	RK73HH1J303D	MG RESISTOR	30kΩ 1/16W D	1	
	R214	RK73HH1J303D	MG RESISTOR	30kΩ 1/16W D	1	
	R215	RK73HH1J103D	MG RESISTOR	10kΩ 1/16W D	1	
	R216	RK73HH1J103D	MG RESISTOR	10kΩ 1/16W D	1	
	R217	RK73HH1J392D	MG RESISTOR	3.9kΩ 1/16W D	1	
	R218	RK73HH1J103D	MG RESISTOR	10kΩ 1/16W D	1	
	R219	RK73HH1J103D	MG RESISTOR	10kΩ 1/16W D	1	
	R220	RK73HB1J101J	MG RESISTOR	100Ω 1/16W J	1	
	R251	RK73HB1J473J	MG RESISTOR	47kΩ 1/16W J	1	
	R252	RK73HB1J473J	MG RESISTOR	47kΩ 1/16W J	1	
	R253	RK73HB1J393J	MG RESISTOR	39kΩ 1/16W J	1	
	R254	RK73HB1J393J	MG RESISTOR	39kΩ 1/16W J	1	
	R255	RK73HB1J103J	MG RESISTOR	10kΩ 1/16W J	1	
	R256	RK73HB1J103J	MG RESISTOR	10kΩ 1/16W J	1	
	R257	RK73HB1J103J	MG RESISTOR	10kΩ 1/16W J	1	
	R258	RK73HB1J103J	MG RESISTOR	10kΩ 1/16W J	1	
	R260	RK73HB1J103J	MG RESISTOR	10kΩ 1/16W J	1	
	R261	RK73HB1J103J	MG RESISTOR	10kΩ 1/16W J	1	
	R272	RK73HB1J102J	MG RESISTOR	1kΩ 1/16W J	1	
	R273	RK73HB1J222J	MG RESISTOR	2.2kΩ 1/16W J	1	
	R283	RK73HB1J473J	MG RESISTOR	47kΩ 1/16W J	1	
	R284	RK73HB1J473J	MG RESISTOR	47kΩ 1/16W J	1	
	R285	RK73HB1J473J	MG RESISTOR	47kΩ 1/16W J	1	
	R287	RK73HB1J473J	MG RESISTOR	47kΩ 1/16W J	1	
	R288	RK73HB1J473J	MG RESISTOR	47kΩ 1/16W J	1	
	R289	RK73HB1J473J	MG RESISTOR	47kΩ 1/16W J	1	
	R290	RK73HB1J473J	MG RESISTOR	47kΩ 1/16W J	1	
	R291	RK73HB1J473J	MG RESISTOR	47kΩ 1/16W J	1	
	R292	RK73HB1J473J	MG RESISTOR	47kΩ 1/16W J	1	
	R293	RK73GB2A2R2J	MG RESISTOR	2.2Ω 1/10W J	1	
	R294	RK73HB1J473J	MG RESISTOR	47kΩ 1/16W J	1	
	R295	RK73HB1J473J	MG RESISTOR	47kΩ 1/16W J	1	
	R296	RK73HB1J473J	MG RESISTOR	47kΩ 1/16W J	1	
	R297	RK73HB1J473J	MG RESISTOR	47kΩ 1/16W J	1	
	R301	RK73HB1J473J	MG RESISTOR	47kΩ 1/16W J	1	
	R302	RK73GB2A000J	MG RESISTOR	0Ω 1/10W J	1	
	R303	RK73GB2A102J	MG RESISTOR	1kΩ 1/10W J	1	
	R307	RK73HB1J101J	MG RESISTOR	100Ω 1/16W J	1	
	R308	RK73HB1J101J	MG RESISTOR	100Ω 1/16W J	1	
	R316	RK73GB2A105J	MG RESISTOR	1MΩ 1/10W J	1	
	R317	RK73GB2A105J	MG RESISTOR	1MΩ 1/10W J	1	
	R318	RK73GB2A820J	MG RESISTOR	82Ω 1/10W J	1	
	R319	RK73GB2A000J	MG RESISTOR	0Ω 1/10W J	1	
	R320	RK73GB2A000J	MG RESISTOR	0Ω 1/10W J	1	
	R500	RK73EB2E000J	MG RESISTOR	0Ω 1/4W J	1	
	R501	RK73GB2A100J	MG RESISTOR	10Ω 1/10W J	1	
	R502	RK73GB2A100J	MG RESISTOR	10Ω 1/10W J	1	
	R503	RK73GB2A100J	MG RESISTOR	10Ω 1/10W J	1	
	R511	RK73GB2A101J	MG RESISTOR	100Ω 1/10W J	1	
	R512	RK73GB2A101J	MG RESISTOR	100Ω 1/10W J	1	
	R513	RK73GB2A101J	MG RESISTOR	100Ω 1/10W J	1	
	R514	RK73HB1J2R2J	MG RESISTOR	2.2Ω 1/16W J	1	
	R515	RK73HB1J272J	MG RESISTOR	2.7kΩ 1/16W J	1	
	R516	RK73HB1J473J	MG RESISTOR	47kΩ 1/16W J	1	
	R517	RK73HB1J272J	MG RESISTOR	2.7kΩ 1/16W J	1	
	R581	RK73HB1J100J	MG RESISTOR	10Ω 1/16W J	1	
	R582	RK73HB1J100J	MG RESISTOR	10Ω 1/16W J	1	
	R583	RK73HB1J100J	MG RESISTOR	10Ω 1/16W J	1	
	R611	RK73GB2A2R2J	MG RESISTOR	2.2Ω 1/10W J	1	
	R612	RK73HB1J103J	MG RESISTOR	10kΩ 1/16W J	1	
	R614	RK73HB1J102J	MG RESISTOR	1kΩ 1/16W J	1	
	R615	RK73HB1J100J	MG RESISTOR	10Ω 1/16W J	1	
	R616	RK73HB1J684J	MG RESISTOR	680kΩ 1/16W J	1	
	R716	RK73GB2A101J	MG RESISTOR	100Ω 1/10W J	1	
	R851	RK73GB2A103J	MG RESISTOR	10kΩ 1/10W J	1	
	R852	RK73GB2A103J	MG RESISTOR	10kΩ 1/10W J	1	
	R854	RK73HB1J563J	MG RESISTOR	56kΩ 1/16W J	1	
	R855	RK73HB1J222J	MG RESISTOR	2.2kΩ 1/16W J	1	
	R856	RK73HB1J182J	MG RESISTOR	1.8kΩ 1/16W J	1	
	R857	RK73HB1J101J	MG RESISTOR	100Ω 1/16W J	1	
	R858	RK73HB1J393J	MG RESISTOR	39kΩ 1/16W J	1	
	R859	RK73HB1J224J	MG RESISTOR	220kΩ 1/16W J	1	

MODEL	MARK	MODEL	MARK
KW-V960BW	K0_A	KW-V960BW	K0_B

Safe	Symbol No.	Parts No.	Parts Name	Description	QTY	Local
	R861	RK73HB1J472J	MG RESISTOR	4.7kΩ 1/16W J	1	
	R863	RK73HB1J101J	MG RESISTOR	100Ω 1/16W J	1	
	R1101	RK73HB1J000J	MG RESISTOR	0Ω 1/16W J	1	
	R1102	RK73HB1J000J	MG RESISTOR	0Ω 1/16W J	1	
	R1103	RK73HB1J000J	MG RESISTOR	0Ω 1/16W J	1	
	R1104	RK73HB1J000J	MG RESISTOR	0Ω 1/16W J	1	
	R1111	RK73HB1J120J	MG RESISTOR	12Ω 1/16W J	1	
	R1112	RK73HB1J120J	MG RESISTOR	12Ω 1/16W J	1	
	R1113	RK73HB1J120J	MG RESISTOR	12Ω 1/16W J	1	
	R1114	RK73HB1J120J	MG RESISTOR	12Ω 1/16W J	1	
	R1146	RK73HB1J000J	MG RESISTOR	0Ω 1/16W J	1	
	L1	L3D-0053-00	CHOCOE COIL		1	
	L302	LR73Z0AD4R7M	CHIP INDUCTOR		1	
	L303	LK73G0BER15K	M.CHIP INDUCTOR		1	
	L304	L3B-0005-00	FM-RF COIL		1	
	L305	LK73G0BE1R0K	M.CHIP INDUCTOR		1	
	L306	LK73G0BER10K	M.CHIP INDUCTOR		1	
	L307	LK73G0BER47K	M.CHIP INDUCTOR		1	
	L308	LK73G0BE4R7K	M.CHIP INDUCTOR		1	
	L601	LK73G0AQ1R0K	M.CHIP INDUCTOR		1	
	CN201	EC720AA-0560A	FFC FPC CONNE		1	
	CN301	EC720AA-0550A	FFC FPC CONNE		1	
	CN302	EA110AP-2004A	W TO B CONNE		1	
△	F6	F53-0513-08	PATTERN FUSE	4A	1	
△	F7	F53-0513-08	PATTERN FUSE	4A	1	
△	F171	F53-0513-08	PATTERN FUSE	4A	1	
△	F191	F53-0513-08	PATTERN FUSE	4A	1	
△	F581	F53-0513-08	PATTERN FUSE	4A	1	
	J1	E5J-0022-00	R.RECEPTACLE		1	
	J151	E6D-0025-00	PIN JACK		1	
	J191	E1B-0041-00	3.5D PHONE JACK		1	
	J501	E5G-0030-00	CYL.RECEPTACLE		1	K0_A
	J501	E5G-0029-00	CYL.RECEPTACLE		1	K0_B
	J581	E1B-0041-00	3.5D PHONE JACK		1	
	VA52	SDV1005E18//2	VARISTOR		1	
	VA55	SDV1005E18//2	VARISTOR		1	
	VA72	SDV1005E18//2	VARISTOR		1	
	VA74	SDV1005E18//2	VARISTOR		1	
	VA75	SDV1005E18//2	VARISTOR		1	
	VA96	SDV1005E18//2	VARISTOR		1	
	VA171	SDV1005A14//0	VARISTOR		1	
	VA172	SDV1005A14//0	VARISTOR		1	
	VA173	SDV1005A14//0	VARISTOR		1	
	VA174	SDV1005A14//0	VARISTOR		1	
	VA175	SDV1005A14//0	VARISTOR		1	
	VA176	SDV1005A14//0	VARISTOR		1	
	VA177	SDV1005A14//0	VARISTOR		1	
	VA195	SDV1005A14//0	VARISTOR		1	
	VA196	SDV1005A14//0	VARISTOR		1	
	VA197	SDV1005A14//0	VARISTOR		1	
	VA301	F0K-0010-00	SURGE ABSORBER		1	
	VA501	SDV1005A14//0	VARISTOR		1	
	VA502	SDV1005A14//0	VARISTOR		1	
	VA503	SDV1005A14//0	VARISTOR		1	
	VA511	SDV1005E18//2	VARISTOR		1	
	VA512	SDV1005E18//2	VARISTOR		1	
	VA513	SDV1005E18//2	VARISTOR		1	
	VA581	SDV1005A14//0	VARISTOR		1	
	VA582	SDV1005A14//0	VARISTOR		1	
	VA583	SDV1005A14//0	VARISTOR		1	
	VA851	SDV1005E18//2	VARISTOR		1	
	W301	E3A-0388-00	ANTENNA CABLE		1	
	X301	L7J-0014-00	QUARTZ CRYSTAL		1	
VIDEO PWB ASSY (XJ8-055K-00) <XJ8>						
	IC100	W3F-0543-00	MCU IC		1	
	IC102	BU4228F	ANALOG IC		1	
	IC103	XC6223B331P-G	ANALOG IC		1	
	IC106	TC7SH17FUJC	MOS IC		1	
	IC200	LM3481MMXNOPB	ANALOG IC		1	
	IC201	TC7SH17FUJC	MOS IC		1	
	IC202	XC6213B332N-G	MOS IC		1	
	IC300	NJM11100F1	ANALOG IC		1	
	IC500	BU21024FV-M	MOS IC		1	
	IC800	PICA38603-NV	IR DETECT UNIT		1	
	Q100	LTC014YEBFS8	DIGI TRANSISTOR		1	
	Q101	LTC014YEBFS8	DIGI TRANSISTOR		1	
	Q200	LTA043ZEBFS8	DIGI TRANSISTOR		1	
	Q201	LSAR523UBFS8	TRANSISTOR		1	
	Q202	RTQ035N03	FET		1	
	Q203	LSAR523UBFS8	TRANSISTOR		1	
	Q204	LSCR523UBFS8	TRANSISTOR		1	
	Q205	LSCR523UBFS8	TRANSISTOR		1	
	Q206	LSCR523UBFS8	TRANSISTOR		1	
	Q207	LSAR523UBFS8	TRANSISTOR		1	
	Q208	LSCR523UBFS8	TRANSISTOR		1	
	Q209	LSCR523UBFS8	TRANSISTOR		1	
	Q210	LSCR523UBFS8	TRANSISTOR		1	
	Q211	LSCR523UBFS8	TRANSISTOR		1	
	Q212	LSCR523UBFS8	TRANSISTOR		1	
	Q213	LTC043ZEBFS8	DIGI TRANSISTOR		1	
	Q214	LTC043ZEBFS8	DIGI TRANSISTOR		1	
	Q300	LSCR523UBFS8	TRANSISTOR		1	

MODEL	MARK	MODEL	MARK
KW-V960BW	K0_A	KW-V960BW	K0_B

Safe	Symbol No.	Parts No.	Parts Name	Description	QTY	Local
	Q301	LSCR523UBFS8	TRANSISTOR		1	
	Q302	LSAR523UBFS8	TRANSISTOR		1	
	Q303	LTA014YEBFS8	DIGI TRANSISTOR		1	
	Q304	LTA014EEBFS8	DIGI TRANSISTOR		1	
	Q305	LTC014YEBFS8	DIGI TRANSISTOR		1	
	Q306	LTC014YEBFS8	DIGI TRANSISTOR		1	
	Q307	LSAR523UBFS8	TRANSISTOR		1	
	Q308	LSCR523UBFS8	TRANSISTOR		1	
	Q309	LSCR523UBFS8	TRANSISTOR		1	
	Q310	LTA014YEBFS8	DIGI TRANSISTOR		1	
	Q311	LTC014YEBFS8	DIGI TRANSISTOR		1	
	Q313	LSCR523UBFS8	TRANSISTOR		1	
	Q400	LSCR523UBFS8	TRANSISTOR		1	
	Q401	LSAR523UBFS8	TRANSISTOR		1	
	Q402	LTC014YEBFS8	DIGI TRANSISTOR		1	
	Q403	LTC014YEBFS8	DIGI TRANSISTOR		1	
	Q404	LTC014YEBFS8	DIGI TRANSISTOR		1	
	Q405	LTC014YEBFS8	DIGI TRANSISTOR		1	
	Q800	LSCR523UBFS8	TRANSISTOR		1	
	Q801	LSCR523UBFS8	TRANSISTOR		1	
	D100	RB521SM-30	DIODE		1	
	D200	SJPB-L4	SCHOTTKY DIODE		1	
	D201	1SS355VM	DIODE		1	
	D202	1SS355VM	DIODE		1	
	D205	RB162MM-60	SCHOTTKY DIODE		1	
	D206	RB162MM-60	SCHOTTKY DIODE		1	
	D500	UDZV5.6B	ZENER DIODE		1	
	D501	UDZV5.6B	ZENER DIODE		1	
	D502	UDZV5.6B	ZENER DIODE		1	
	D503	UDZV5.6B	ZENER DIODE		1	
	D705	DAN217UM	DIODE		1	
	D900	QSMR-C13SBCMN	LED		1	
	D901	QSMR-C13SBCMN	LED		1	
	C100	CC73JCH1H221J	C CAPACITOR	220pF 50V J	1	
	C101	CC73JCH1H101J	C CAPACITOR	100pF 50V J	1	
	C105	CC73JCH1H221J	C CAPACITOR	220pF 50V J	1	
	C106	CK73JXR1C473K	C CAPACITOR	0.047uF 16V K	1	
	C107	CK73JXR1E104K	C CAPACITOR	0.1uF 25V K	1	
	C108	CK73JXR1E104K	C CAPACITOR	0.1uF 25V K	1	
	C109	CK73JXR1E104K	C CAPACITOR	0.1uF 25V K	1	
	C111	CK73HXR1C105K	C CAPACITOR	1uF 16V K	1	
	C112	CK73HXR1C105K	C CAPACITOR	1uF 16V K	1	
	C113	CK73HXR1C105K	C CAPACITOR	1uF 16V K	1	
	C114	CK73FXR1C106K	C CAPACITOR	10uF 16V K	1	
	C115	CK73HXR1C105K	C CAPACITOR	1uF 16V K	1	
	C116	CK73JXR1E104K	C CAPACITOR	0.1uF 25V K	1	
	C117	CK73JXR1H103K	C CAPACITOR	0.01uF 50V K	1	
	C119	CK73JXR1H472K	C CAPACITOR	4700pF 50V K	1	
	C120	CK73JXR1H102K	C CAPACITOR	1000pF 50V K	1	
	C121	CK73HXR1C105K	C CAPACITOR	1uF 16V K	1	
	C122	CC73JCH1H101J	C CAPACITOR	100pF 50V J	1	
	C200	CK73HXR1C105K	C CAPACITOR	1uF 16V K	1	
	C203	CK73GXR1H104K	C CAPACITOR	0.1uF 50V K	1	
	C204	CK73EXR1E106K	C CAPACITOR	10uF 25V K	1	
	C205	CK73JXR1H103K	C CAPACITOR	0.01uF 50V K	1	
	C206	CK73JXR1E104K	C CAPACITOR	0.1uF 25V K	1	
	C207	CK73EXR1E106K	C CAPACITOR	10uF 25V K	1	
	C208	CK73EXR1E106K	C CAPACITOR	10uF 25V K	1	
	C209	CK73JXR1E104K	C CAPACITOR	0.1uF 25V K	1	
	C210	CK73HXR1C105K	C CAPACITOR	1uF 16V K	1	
	C211	CC73HCH1H391J	C CAPACITOR	390pF 50V J	1	
	C212	CK73HXR1C105K	C CAPACITOR	1uF 16V K	1	
	C213	CK73FXR1C106K	C CAPACITOR	10uF 16V K	1	
	C214	CK73JXR1E104K	C CAPACITOR	0.1uF 25V K	1	
	C215	CK73JXR1E104K	C CAPACITOR	0.1uF 25V K	1	
	C216	CK73HXR1C105K	C CAPACITOR	1uF 16V K	1	
	C217	CK73FXR0J226M	C CAPACITOR	22uF 6.3V M	1	
	C218	CK73JXR1H103K	C CAPACITOR	0.01uF 50V K	1	
	C219	CK73EXR1E106K	C CAPACITOR	10uF 25V K	1	
	C220	CK73EXR1E106K	C CAPACITOR	10uF 25V K	1	
	C221	CK73HXR1C105K	C CAPACITOR	1uF 16V K	1	
	C224	CK73GXR1H104K	C CAPACITOR	0.1uF 50V K	1	
	C225	CK73EXR1E106K	C CAPACITOR	10uF 25V K	1	
	C300	CK73GXR1E105K	C CAPACITOR	1uF 25V K	1	
	C301	CK73FXR1C106K	C CAPACITOR	10uF 16V K	1	
	C302	CK73FXR1E475K	C CAPACITOR	4.7uF 25V K	1	
	C303	CK73GXR1H104K	C CAPACITOR	0.1uF 50V K	1	
	C304	CK73JXR1E104K	C CAPACITOR	0.1uF 25V K	1	
	C305	CK73EXR1E106K	C CAPACITOR	10uF 25V K	1	
	C306	CK73FXR1E225K	C CAPACITOR	2.2uF 25V K	1	
	C307	CK73FXR1C106K	C CAPACITOR	10uF 16V K	1	
	C308	CK73GXR1E105K	C CAPACITOR	1uF 25V K	1	
	C408	CK73JXR1E104K	C CAPACITOR	0.1uF 25V K	1	
	C409	CK73HXR1C105K	C CAPACITOR	1uF 16V K	1	
	C410	CK73FXR1E475K	C CAPACITOR	4.7uF 25V K	1	
	C411	CK73GXR1H104K	C CAPACITOR	0.1uF 50V K	1	
	C412	CK73JXR1H103K	C CAPACITOR	0.01uF 50V K	1	
	C413	CK73FXR1E475K	C CAPACITOR	4.7uF 25V K	1	
	C414	CK73JXR1E104K	C CAPACITOR	0.1uF 25V K	1	
	C415	CK73JXR1H103K	C CAPACITOR	0.01uF 50V K	1	
	C416	CK73GXR1A106K	C CAPACITOR	10uF 10V K	1	
	C417	CK73JXR1E104K	C CAPACITOR	0.1uF 25V K	1	

MODEL	MARK	MODEL	MARK
KW-V960BW	K0_A	KW-V960BW	K0_B

Safe	Symbol No.	Parts No.	Parts Name	Description	QTY	Local
	C418	CK73JXR1H103K	C CAPACITOR	0.01uF 50V K	1	
	C419	CK73FXR1C106K	C CAPACITOR	10uF 16V K	1	
	C420	CK73FXR1C106K	C CAPACITOR	10uF 16V K	1	
	C421	CK73JXR1E104K	C CAPACITOR	0.1uF 25V K	1	
	C422	CK73JXR1H103K	C CAPACITOR	0.01uF 50V K	1	
	C433	CC73HCH1H150J	C CAPACITOR	15pF 50V J	1	
	C441	CK73HXR1C105K	C CAPACITOR	1uF 16V K	1	
	C500	CK73HXR1H102K	C CAPACITOR	1000pF 50V K	1	
	C501	CK73HXR1H102K	C CAPACITOR	1000pF 50V K	1	
	C502	CK73HXR1H102K	C CAPACITOR	1000pF 50V K	1	
	C503	CK73HXR1H102K	C CAPACITOR	1000pF 50V K	1	
	C504	CC73HCH1H471J	C CAPACITOR	470pF 50V J	1	
	C505	CC73HCH1H471J	C CAPACITOR	470pF 50V J	1	
	C506	CC73HCH1H471J	C CAPACITOR	470pF 50V J	1	
	C507	CC73HCH1H471J	C CAPACITOR	470pF 50V J	1	
	C508	CK73JXR1H103K	C CAPACITOR	0.01uF 50V K	1	
	C509	CK73HXR1C105K	C CAPACITOR	1uF 16V K	1	
	C510	CK73HXR1C105K	C CAPACITOR	1uF 16V K	1	
	C511	CK73JXR1H103K	C CAPACITOR	0.01uF 50V K	1	
	C512	CK73GXR1A106K	C CAPACITOR	10uF 10V K	1	
	C513	CK73JXR1E104K	C CAPACITOR	0.1uF 25V K	1	
	C701	CK73JXR1H103K	C CAPACITOR	0.01uF 50V K	1	
	C702	CK73FXR1C106K	C CAPACITOR	10uF 16V K	1	
	C809	CK73HXR1C105K	C CAPACITOR	1uF 16V K	1	
	C810	CK73FXR0J226M	C CAPACITOR	22uF 6.3V M	1	
	C811	CK73JXR1H102K	C CAPACITOR	1000pF 50V K	1	
	C812	CK73FXR1C106K	C CAPACITOR	10uF 16V K	1	
	R5	RK73HB1J101J	MG RESISTOR	100Ω 1/16W J	1	
	R39	RK73HB1J000J	MG RESISTOR	0Ω 1/16W J	1	
	R100	RK73HB1J101J	MG RESISTOR	100Ω 1/16W J	1	
	R101	RK73HB1J101J	MG RESISTOR	100Ω 1/16W J	1	
	R102	RK73HB1J101J	MG RESISTOR	100Ω 1/16W J	1	
	R103	RK73HB1J101J	MG RESISTOR	100Ω 1/16W J	1	
	R104	RK73HB1J101J	MG RESISTOR	100Ω 1/16W J	1	
	R105	RK73HB1J101J	MG RESISTOR	100Ω 1/16W J	1	
	R106	RK73HB1J101J	MG RESISTOR	100Ω 1/16W J	1	
	R107	RK73HB1J101J	MG RESISTOR	100Ω 1/16W J	1	
	R108	RK73HB1J103J	MG RESISTOR	10kΩ 1/16W J	1	
	R112	RK73HB1J123J	MG RESISTOR	12kΩ 1/16W J	1	
	R115	RK73HB1J101J	MG RESISTOR	100Ω 1/16W J	1	
	R116	RK73HB1J101J	MG RESISTOR	100Ω 1/16W J	1	
	R117	RK73HB1J101J	MG RESISTOR	100Ω 1/16W J	1	
	R120	RK73HB1J101J	MG RESISTOR	100Ω 1/16W J	1	
	R122	RK73HB1J101J	MG RESISTOR	100Ω 1/16W J	1	
	R124	RK73HB1J103J	MG RESISTOR	10kΩ 1/16W J	1	
	R125	RK73HB1J101J	MG RESISTOR	100Ω 1/16W J	1	
	R126	RK73HB1J103J	MG RESISTOR	10kΩ 1/16W J	1	
	R127	RK73HB1J102J	MG RESISTOR	1kΩ 1/16W J	1	
	R128	RK73HB1J101J	MG RESISTOR	100Ω 1/16W J	1	
	R129	RK73HB1J101J	MG RESISTOR	100Ω 1/16W J	1	
	R130	RK73HB1J101J	MG RESISTOR	100Ω 1/16W J	1	
	R131	RK73HB1J101J	MG RESISTOR	100Ω 1/16W J	1	
	R132	RK73HB1J101J	MG RESISTOR	100Ω 1/16W J	1	
	R133	RK73HB1J101J	MG RESISTOR	100Ω 1/16W J	1	
	R134	RK73HB1J101J	MG RESISTOR	100Ω 1/16W J	1	
	R135	RK73HB1J101J	MG RESISTOR	100Ω 1/16W J	1	
	R136	RK73HB1J103J	MG RESISTOR	10kΩ 1/16W J	1	
	R137	RK73HB1J103J	MG RESISTOR	10kΩ 1/16W J	1	
	R138	RK73HB1J101J	MG RESISTOR	100Ω 1/16W J	1	
	R139	RK73HB1J101J	MG RESISTOR	100Ω 1/16W J	1	
	R140	RK73HB1J101J	MG RESISTOR	100Ω 1/16W J	1	
	R141	RK73HB1J473J	MG RESISTOR	47kΩ 1/16W J	1	
	R142	RK73HB1J473J	MG RESISTOR	47kΩ 1/16W J	1	
	R143	RK73HB1J472J	MG RESISTOR	4.7kΩ 1/16W J	1	
	R144	RK73HB1J472J	MG RESISTOR	4.7kΩ 1/16W J	1	
	R145	RK73HB1J103J	MG RESISTOR	10kΩ 1/16W J	1	
	R146	RK73HB1J102J	MG RESISTOR	1kΩ 1/16W J	1	
	R149	RK73HB1J101J	MG RESISTOR	100Ω 1/16W J	1	
	R150	RK73HB1J473J	MG RESISTOR	47kΩ 1/16W J	1	
	R151	RK73HB1J473J	MG RESISTOR	47kΩ 1/16W J	1	
	R152	RK73HB1J473J	MG RESISTOR	47kΩ 1/16W J	1	
	R153	RK73HB1J473J	MG RESISTOR	47kΩ 1/16W J	1	
	R154	RK73HB1J473J	MG RESISTOR	47kΩ 1/16W J	1	
	R155	RK73HB1J473J	MG RESISTOR	47kΩ 1/16W J	1	
	R201	RK73HB1J102J	MG RESISTOR	1kΩ 1/16W J	1	
	R203	RK73GB2A511J	MG RESISTOR	510Ω 1/10W J	1	
	R204	RK73GB2A511J	MG RESISTOR	510Ω 1/10W J	1	
	R207	RK73HH1J104D	MG RESISTOR	100kΩ 1/16W D	1	
	R208	RK73HH1J563D	MG RESISTOR	56kΩ 1/16W D	1	
	R209	RK73HB1J000J	MG RESISTOR	0Ω 1/16W J	1	
	R210	RK73HH1J152D	MG RESISTOR	1.5kΩ 1/16W D	1	
	R211	RK73HH1J134D	MG RESISTOR	130kΩ 1/16W D	1	
	R212	RK73HH1J103D	MG RESISTOR	10kΩ 1/16W D	1	
	R213	RK73HH1J751D	MG RESISTOR	750Ω 1/16W D	1	
	R214	RK73HB1J101J	MG RESISTOR	100Ω 1/16W J	1	
	R215	RK73HH1J563D	MG RESISTOR	56kΩ 1/16W D	1	
	R216	RK73HB1J4R7J	MG RESISTOR	4.7Ω 1/16W J	1	
	R217	RK73HB1J000J	MG RESISTOR	0Ω 1/16W J	1	
	R218	RZ73F0AK33LJ	RESISTOR	0.033Ω 1/3W J	1	
	R219	RK73HB1J103J	MG RESISTOR	10kΩ 1/16W J	1	
	R220	RK73GH2A361D	MG RESISTOR	360Ω 1/10W D	1	
	R221	RK73GH2A361D	MG RESISTOR	360Ω 1/10W D	1	
	R222	RK73GH2A361D	MG RESISTOR	360Ω 1/10W D	1	

MODEL	MARK	MODEL	MARK
KW-V960BW	K0_A	KW-V960BW	K0_B

Safe	Symbol No.	Parts No.	Parts Name	Description	QTY	Local
	R224	RK73HB1J102J	MG RESISTOR	1kΩ 1/16W J	1	
	R225	RK73HB1J101J	MG RESISTOR	100Ω 1/16W J	1	
	R227	RK73GB2A511J	MG RESISTOR	510Ω 1/10W J	1	
	R228	RK73GB2A511J	MG RESISTOR	510Ω 1/10W J	1	
	R229	RK73GH2A361D	MG RESISTOR	360Ω 1/10W D	1	
	R230	RK73GH2A361D	MG RESISTOR	360Ω 1/10W D	1	
	R231	RK73HB1J473J	MG RESISTOR	47kΩ 1/16W J	1	
	R232	RK73HB1J223J	MG RESISTOR	22kΩ 1/16W J	1	
	R233	RK73GH2A391D	MG RESISTOR	390Ω 1/10W D	1	
	R234	RK73GH2A361D	MG RESISTOR	360Ω 1/10W D	1	
	R235	RK73HB1J101J	MG RESISTOR	100Ω 1/16W J	1	
	R236	RK73GB2A511J	MG RESISTOR	510Ω 1/10W J	1	
	R237	RK73GH2A361D	MG RESISTOR	360Ω 1/10W D	1	
	R238	RK73HB1J101J	MG RESISTOR	100Ω 1/16W J	1	
	R239	RK73HB1J101J	MG RESISTOR	100Ω 1/16W J	1	
	R240	RK73HB1J101J	MG RESISTOR	100Ω 1/16W J	1	
	R241	RK73GH2A391D	MG RESISTOR	390Ω 1/10W D	1	
	R242	RK73GH2A391D	MG RESISTOR	390Ω 1/10W D	1	
	R243	RK73HB1J101J	MG RESISTOR	100Ω 1/16W J	1	
	R244	RK73GH2A391D	MG RESISTOR	390Ω 1/10W D	1	
	R245	RK73GB2A511J	MG RESISTOR	510Ω 1/10W J	1	
	R246	RZ73F0BS560J	RESISTOR	56Ω J	1	
	R247	RK73HB1J102J	MG RESISTOR	1kΩ 1/16W J	1	
	R248	RK73GH2A391D	MG RESISTOR	390Ω 1/10W D	1	
	R249	RK73HB1J473J	MG RESISTOR	47kΩ 1/16W J	1	
	R250	RK73HB1J101J	MG RESISTOR	100Ω 1/16W J	1	
	R251	RK73GH2A391D	MG RESISTOR	390Ω 1/10W D	1	
	R252	RK73GH2A391D	MG RESISTOR	390Ω 1/10W D	1	
	R253	RK73GH2A361D	MG RESISTOR	360Ω 1/10W D	1	
	R254	RK73HB1J101J	MG RESISTOR	100Ω 1/16W J	1	
	R255	RK73GH2A391D	MG RESISTOR	390Ω 1/10W D	1	
	R256	RK73HB1J473J	MG RESISTOR	47kΩ 1/16W J	1	
	R257	RK73HB1J103J	MG RESISTOR	10kΩ 1/16W J	1	
	R259	RK73GB2A000J	MG RESISTOR	0Ω 1/10W J	1	
	R300	RK73HB1J104J	MG RESISTOR	100kΩ 1/16W J	1	
	R301	RK73HB1J392J	MG RESISTOR	3.9kΩ 1/16W J	1	
	R302	RK73HB1J681J	MG RESISTOR	680Ω 1/16W J	1	
	R303	RK73HB1J393J	MG RESISTOR	39kΩ 1/16W J	1	
	R304	RK73HB1J104J	MG RESISTOR	100kΩ 1/16W J	1	
	R305	RK73HH1J332D	MG RESISTOR	3.3kΩ 1/16W D	1	
	R306	RK73HH1J473D	MG RESISTOR	47kΩ 1/16W D	1	
	R307	RK73HH1J103D	MG RESISTOR	10kΩ 1/16W D	1	
	R308	RK73HH1J273D	MG RESISTOR	27kΩ 1/16W D	1	
	R309	RK73HB1J472J	MG RESISTOR	4.7kΩ 1/16W J	1	
	R310	RK73HB1J104J	MG RESISTOR	100kΩ 1/16W J	1	
	R311	RK73HB1J000J	MG RESISTOR	0Ω 1/16W J	1	
	R312	RK73HH1J102D	MG RESISTOR	1kΩ 1/16W D	1	
	R313	RK73HB1J104J	MG RESISTOR	100kΩ 1/16W J	1	
	R316	RK73HB1J103J	MG RESISTOR	10kΩ 1/16W J	1	
	R317	RK73HB1J821J	MG RESISTOR	820Ω 1/16W J	1	
	R318	RK73HB1J103J	MG RESISTOR	10kΩ 1/16W J	1	
	R319	RK73HB1J473J	MG RESISTOR	47kΩ 1/16W J	1	
	R320	RK73HB1J104J	MG RESISTOR	100kΩ 1/16W J	1	
	R321	RK73HB1J000J	MG RESISTOR	0Ω 1/16W J	1	
	R322	RK73HH1J823D	MG RESISTOR	82kΩ 1/16W D	1	
	R323	RK73HH1J113D	MG RESISTOR	11kΩ 1/16W D	1	
	R401	RK73HB1J472J	MG RESISTOR	4.7kΩ 1/16W J	1	
	R402	RK73HB1J472J	MG RESISTOR	4.7kΩ 1/16W J	1	
	R403	RK73HB1J102J	MG RESISTOR	1kΩ 1/16W J	1	
	R404	RK73HH1J124D	MG RESISTOR	120kΩ 1/16W D	1	
	R405	RK73HH1J184D	MG RESISTOR	180kΩ 1/16W D	1	
	R406	RK73HH1J224D	MG RESISTOR	220kΩ 1/16W D	1	
	R407	RK73HH1J153D	MG RESISTOR	15kΩ 1/16W D	1	
	R408	RK73HH1J103D	MG RESISTOR	10kΩ 1/16W D	1	
	R409	RK73HH1J563D	MG RESISTOR	56kΩ 1/16W D	1	
	R411	RK73HB1J101J	MG RESISTOR	100Ω 1/16W J	1	
	R412	RK73EB2E392J	MG RESISTOR	3.9kΩ 1/4W J	1	
	R426	RK73EB2E102J	MG RESISTOR	1kΩ 1/4W J	1	
	R427	RK73HB1J472J	MG RESISTOR	4.7kΩ 1/16W J	1	
	R428	RK73HB1J000J	MG RESISTOR	0Ω 1/16W J	1	
	R443	RK73GB2A750J	MG RESISTOR	75Ω 1/10W J	1	
	R478	RK73HB1J473J	MG RESISTOR	47kΩ 1/16W J	1	
	R479	RK73HB1J103J	MG RESISTOR	10kΩ 1/16W J	1	
	R480	RK73HB1J473J	MG RESISTOR	47kΩ 1/16W J	1	
	R490	RK73HB1J000J	MG RESISTOR	0Ω 1/16W J	1	
	R491	RK73HB1J000J	MG RESISTOR	0Ω 1/16W J	1	
	R495	RK73HB1J103J	MG RESISTOR	10kΩ 1/16W J	1	
	R505	RK73HB1J100J	MG RESISTOR	10Ω 1/16W J	1	
	R506	RK73HB1J100J	MG RESISTOR	10Ω 1/16W J	1	
	R507	RK73HB1J100J	MG RESISTOR	10Ω 1/16W J	1	
	R508	RK73HB1J100J	MG RESISTOR	10Ω 1/16W J	1	
	R509	RK73HB1J272J	MG RESISTOR	2.7kΩ 1/16W J	1	
	R510	RK73HB1J272J	MG RESISTOR	2.7kΩ 1/16W J	1	
	R512	RK73HB1J272J	MG RESISTOR	2.7kΩ 1/16W J	1	
	R513	RK73HB1J101J	MG RESISTOR	100Ω 1/16W J	1	
	R514	RK73HB1J101J	MG RESISTOR	100Ω 1/16W J	1	
	R515	RK73HB1J473J	MG RESISTOR	47kΩ 1/16W J	1	
	R516	RK73HB1J101J	MG RESISTOR	100Ω 1/16W J	1	
	R517	RK73GH2A100D	MG RESISTOR	10Ω 1/10W D	1	
	R518	RK73GH2A100D	MG RESISTOR	10Ω 1/10W D	1	
	R519	RK73GH2A100D	MG RESISTOR	10Ω 1/10W D	1	
	R520	RK73GH2A100D	MG RESISTOR	10Ω 1/10W D	1	

MODEL	MARK	MODEL	MARK
KW-V960BW	K0_A	KW-V960BW	K0_B

Safe	Symbol No.	Parts No.	Parts Name	Description	QTY	Local
	R522	RK73HB1J272J	MG RESISTOR	2.7kΩ 1/16W J	1	
	R523	RK73HB1J101J	MG RESISTOR	100Ω 1/16W J	1	
	R824	RK73GB2A221J	MG RESISTOR	220Ω 1/10W J	1	
	R826	RK73GB2A100J	MG RESISTOR	10Ω 1/10W J	1	
	R828	RK73GB2A100J	MG RESISTOR	10Ω 1/10W J	1	
	R833	RK73HH1J122D	MG RESISTOR	1.2kΩ 1/16W D	1	
	R834	RK73HB1J101J	MG RESISTOR	100Ω 1/16W J	1	
	R835	RK73HB1J101J	MG RESISTOR	100Ω 1/16W J	1	
	R836	RK73HH1J102D	MG RESISTOR	1kΩ 1/16W D	1	
	R900	RK73HB1J392J	MG RESISTOR	3.9kΩ 1/16W J	1	
	R901	RK73HB1J101J	MG RESISTOR	100Ω 1/16W J	1	
	R902	RK73HB1J122J	MG RESISTOR	1.2kΩ 1/16W J	1	
	L100	LB73G0EA-002	CHIP FERRITE		1	
	L200	LR79Z0FB220M	CHIP INDUCTOR		1	
	L201	LB73E0FU-004	CHIP FERRITE		1	
	L404	LB73G0FV-003	CHIP FERRITE		1	
	L500	LR73Z0AC100K	CHIP INDUCTOR		1	
	L800	LB73G0EA-002	CHIP FERRITE		1	
	CN1	EC720AB-0570A	FFC FPC CONNE		1	
	CN100	EC720AA-0510A	FFC FPC CONNE		1	
	CN400	EC720AA-0550A	FFC FPC CONNE		1	
	CN500	EC720CX-1004A	FFC FPC CONNE		1	
	CN800	EC720AA-0506A	FFC FPC CONNE		1	
	CN900	EC720AA-0506A	FFC FPC CONNE		1	
△	F2	FZA10BF-1R0	FUSE (CC)		1	
	S802	S7A-0001-00	TACTILE PUSH SW		1	
	S900	S7A-0001-00	TACTILE PUSH SW		1	
	S901	S7A-0001-00	TACTILE PUSH SW		1	
	VA800	SDV1005E18//2	VARISTOR		1	
DIGITAL IO PWB ASSY (XJA-079K-05) <XJA>						
	IC501	TCC8974F-0AX1	MPU IC	BGA	1	
	IC502	RA8900CEUB	ANALOG IC		1	
	IC503	-----	ROM IC	NO SERVICE PART	1	
	IC525	-----	ROM IC	NO SERVICE PART	1	
	IC531	H5TQ463EFRRDI	DRAM IC	BGA	1	
	IC532	H5TQ463EFRRDI	DRAM IC	BGA	1	
	IC541	ML86251LAZ07F	MOS IC	BGA	1	
	IC542	SN74TVC3010PW	ANALOG IC		1	
	IC544	TC7SH08FUJC	MOS IC		1	
	IC546	LSF0102DCU	ANALOG IC		1	
	IC553	SN74LVCU04APW	MOS IC		1	
	IC555	SN74AVC4T245S	MOS IC		1	
	IC556	TC7SZ00FUJC	MOS IC		1	
	IC563	MFI343S00177	MCU IC		1	
	IC571	TPS2543RTE	MOS IC		1	
	IC573	CYUSB230268LI	MOS IC		1	
	IC574	XC6223B121P-G	ANALOG IC		1	
	IC591	MP9943AGQ	ANALOG IC		1	
	IC592	MP9943AGQ	ANALOG IC		1	
	IC594	TC7SH08FUJC	MOS IC		1	
	IC595	XC6223D181P-G	ANALOG IC		1	
	IC596	BD00IC0EEFJ-M	ANALOG IC		1	
	IC597	XC6223B151P-G	ANALOG IC		1	
	IC601	MP9943AGQ	ANALOG IC		1	
	IC602	MP9942AGJ	ANALOG IC		1	
	IC631	NJM2561F1	BIPOLAR IC		1	
	IC801	RP108J081B-AE	MOS IC		1	
	IC802	MM3411A18NE	ANALOG IC		1	
	Q551	RE1C002ZP	FET		1	
	Q5401	LSCR523EBFS8	TRANSISTOR		1	
	Q5402	LSCR523EBFS8	TRANSISTOR		1	
	Q5403	LSCR523EBFS8	TRANSISTOR		1	
	Q5404	LSCR523EBFS8	TRANSISTOR		1	
	Q5604	KRC407E-P	DIGI TRANSISTOR		1	
	Q5605	KRC407E-P	DIGI TRANSISTOR		1	
	Q5606	KRC407E-P	DIGI TRANSISTOR		1	
	Q5607	LSAR523EBFS8	TRANSISTOR		1	
	Q5608	2SC4617EB/QR/	TRANSISTOR		1	
	Q5801	RE1C001UN	FET		1	
	Q5802	KRC407E-P	DIGI TRANSISTOR		1	
	C631	CK73HXR1C105K	C CAPACITOR	1uF 16V K	1	
	C632	CK73JXR1C104K	C CAPACITOR	0.1uF 16V K	1	
	C633	CK73FXR1C106K	C CAPACITOR	10uF 16V K	1	
	C5001	CK73JXR1C104K	C CAPACITOR	0.1uF 16V K	1	
	C5002	CK73JXR1C104K	C CAPACITOR	0.1uF 16V K	1	
	C5003	CK73JXR1C104K	C CAPACITOR	0.1uF 16V K	1	
	C5004	CK73JXR1C104K	C CAPACITOR	0.1uF 16V K	1	
	C5005	CK73JXR1C104K	C CAPACITOR	0.1uF 16V K	1	
	C5006	CK73JXR1C104K	C CAPACITOR	0.1uF 16V K	1	
	C5007	CK73JXR1C104K	C CAPACITOR	0.1uF 16V K	1	
	C5008	CK73JXR1C104K	C CAPACITOR	0.1uF 16V K	1	
	C5009	CK73JXR1C104K	C CAPACITOR	0.1uF 16V K	1	
	C5010	CK73JXR1C104K	C CAPACITOR	0.1uF 16V K	1	
	C5011	CK73JXR1C104K	C CAPACITOR	0.1uF 16V K	1	
	C5012	CK73JXR1C104K	C CAPACITOR	0.1uF 16V K	1	
	C5013	CK73JXR1C104K	C CAPACITOR	0.1uF 16V K	1	
	C5014	CK73JXR1C104K	C CAPACITOR	0.1uF 16V K	1	
	C5015	CK73JXR1C104K	C CAPACITOR	0.1uF 16V K	1	
	C5016	CK73JXR1C104K	C CAPACITOR	0.1uF 16V K	1	
	C5017	CK73JXR1C104K	C CAPACITOR	0.1uF 16V K	1	
	C5018	CK73JXR1C104K	C CAPACITOR	0.1uF 16V K	1	
	C5019	CK73JXR1C104K	C CAPACITOR	0.1uF 16V K	1	

MODEL	MARK	MODEL	MARK
KW-V960BW	K0_A	KW-V960BW	K0_B

Safe	Symbol No.	Parts No.	Parts Name	Description	QTY	Local
	C5122	CK73JXR1C104K	C CAPACITOR	0.1uF 16V K	1	
	C5123	CK73JXR1C104K	C CAPACITOR	0.1uF 16V K	1	
	C5124	CK73JXR1C104K	C CAPACITOR	0.1uF 16V K	1	
	C5126	CS77FBK0J101M	TA E CAPACITOR	100uF 6.3V M	1	
	C5128	CS77FBK0J101M	TA E CAPACITOR	100uF 6.3V M	1	
	C5130	CK73JXR1C104K	C CAPACITOR	0.1uF 16V K	1	
	C5132	CS77FBK0J101M	TA E CAPACITOR	100uF 6.3V M	1	
	C5133	CK73JXR1C104K	C CAPACITOR	0.1uF 16V K	1	
	C5134	CK73JXR1C104K	C CAPACITOR	0.1uF 16V K	1	
	C5201	CS77FBK0J101M	TA E CAPACITOR	100uF 6.3V M	1	
	C5202	CK73JXR1H102K	C CAPACITOR	1000pF 50V K	1	
	C5203	CK73JXR1C104K	C CAPACITOR	0.1uF 16V K	1	
	C5204	CK73JXR1C104K	C CAPACITOR	0.1uF 16V K	1	
	C5251	CK73FXR1C106K	C CAPACITOR	10uF 16V K	1	
	C5252	CK73FXR1C106K	C CAPACITOR	10uF 16V K	1	
	C5253	CK73JXR1C104K	C CAPACITOR	0.1uF 16V K	1	
	C5255	CK73JXR1C104K	C CAPACITOR	0.1uF 16V K	1	
	C5259	CK73JXR1C104K	C CAPACITOR	0.1uF 16V K	1	
	C5263	CK73FXR1C106K	C CAPACITOR	10uF 16V K	1	
	C5269	CK73FXR1C106K	C CAPACITOR	10uF 16V K	1	
	C5301	CS77FBK0J101M	TA E CAPACITOR	100uF 6.3V M	1	
	C5302	CC73JCH1H121J	C CAPACITOR	120pF 50V J	1	
	C5303	CK73JXR1C104K	C CAPACITOR	0.1uF 16V K	1	
	C5304	CC73JCH1H121J	C CAPACITOR	120pF 50V J	1	
	C5305	CK73JXR1C104K	C CAPACITOR	0.1uF 16V K	1	
	C5306	CC73JCH1H121J	C CAPACITOR	120pF 50V J	1	
	C5307	CK73JXR1C104K	C CAPACITOR	0.1uF 16V K	1	
	C5308	CC73JCH1H121J	C CAPACITOR	120pF 50V J	1	
	C5309	CK73JXR1C104K	C CAPACITOR	0.1uF 16V K	1	
	C5311	CK73JXR1C104K	C CAPACITOR	0.1uF 16V K	1	
	C5312	CC73JCH1H121J	C CAPACITOR	120pF 50V J	1	
	C5313	CK73JXR1C104K	C CAPACITOR	0.1uF 16V K	1	
	C5314	CC73JCH1H121J	C CAPACITOR	120pF 50V J	1	
	C5315	CK73JXR1C104K	C CAPACITOR	0.1uF 16V K	1	
	C5316	CC73JCH1H121J	C CAPACITOR	120pF 50V J	1	
	C5317	CC73JCH1H121J	C CAPACITOR	120pF 50V J	1	
	C5318	CK73JXR1C104K	C CAPACITOR	0.1uF 16V K	1	
	C5319	CK73JXR1C104K	C CAPACITOR	0.1uF 16V K	1	
	C5320	CC73JCH1H121J	C CAPACITOR	120pF 50V J	1	
	C5321	CC73JCH1H121J	C CAPACITOR	120pF 50V J	1	
	C5322	CK73JXR1C104K	C CAPACITOR	0.1uF 16V K	1	
	C5323	CK73JXR1C104K	C CAPACITOR	0.1uF 16V K	1	
	C5324	CK73JXR1C104K	C CAPACITOR	0.1uF 16V K	1	
	C5325	CK73JXR1C104K	C CAPACITOR	0.1uF 16V K	1	
	C5326	CK73JXR1C104K	C CAPACITOR	0.1uF 16V K	1	
	C5327	CK73JXR1C104K	C CAPACITOR	0.1uF 16V K	1	
	C5328	CK73JXR1C104K	C CAPACITOR	0.1uF 16V K	1	
	C5329	CK73JXR1C104K	C CAPACITOR	0.1uF 16V K	1	
	C5330	CC73JCH1H121J	C CAPACITOR	120pF 50V J	1	
	C5331	CK73JXR1C104K	C CAPACITOR	0.1uF 16V K	1	
	C5332	CC73JCH1H121J	C CAPACITOR	120pF 50V J	1	
	C5333	CK73JXR1C104K	C CAPACITOR	0.1uF 16V K	1	
	C5334	CC73JCH1H121J	C CAPACITOR	120pF 50V J	1	
	C5335	CK73JXR1C104K	C CAPACITOR	0.1uF 16V K	1	
	C5336	CC73JCH1H121J	C CAPACITOR	120pF 50V J	1	
	C5337	CK73JXR1C104K	C CAPACITOR	0.1uF 16V K	1	
	C5338	CC73JCH1H121J	C CAPACITOR	120pF 50V J	1	
	C5339	CK73JXR1C104K	C CAPACITOR	0.1uF 16V K	1	
	C5340	CC73JCH1H121J	C CAPACITOR	120pF 50V J	1	
	C5341	CK73JXR1C104K	C CAPACITOR	0.1uF 16V K	1	
	C5342	CC73JCH1H121J	C CAPACITOR	120pF 50V J	1	
	C5343	CK73JXR1C104K	C CAPACITOR	0.1uF 16V K	1	
	C5344	CC73JCH1H121J	C CAPACITOR	120pF 50V J	1	
	C5345	CK73JXR1C104K	C CAPACITOR	0.1uF 16V K	1	
	C5346	CC73JCH1H121J	C CAPACITOR	120pF 50V J	1	
	C5347	CK73JXR1C104K	C CAPACITOR	0.1uF 16V K	1	
	C5348	CC73JCH1H121J	C CAPACITOR	120pF 50V J	1	
	C5349	CC73JCH1H121J	C CAPACITOR	120pF 50V J	1	
	C5350	CC73JCH1H121J	C CAPACITOR	120pF 50V J	1	
	C5351	CC73JCH1H121J	C CAPACITOR	120pF 50V J	1	
	C5352	CK73JXR1C104K	C CAPACITOR	0.1uF 16V K	1	
	C5353	CC73JCH1H121J	C CAPACITOR	120pF 50V J	1	
	C5354	CK73JXR1C104K	C CAPACITOR	0.1uF 16V K	1	
	C5355	CC73JCH1H121J	C CAPACITOR	120pF 50V J	1	
	C5356	CK73JXR1C104K	C CAPACITOR	0.1uF 16V K	1	
	C5357	CC73JCH1H121J	C CAPACITOR	120pF 50V J	1	
	C5358	CK73JXR1C104K	C CAPACITOR	0.1uF 16V K	1	
	C5359	CK73JXR1C104K	C CAPACITOR	0.1uF 16V K	1	
	C5360	CK73JXR1C104K	C CAPACITOR	0.1uF 16V K	1	
	C5361	CK73JXR1C104K	C CAPACITOR	0.1uF 16V K	1	
	C5362	CK73JXR1C104K	C CAPACITOR	0.1uF 16V K	1	
	C5363	CK73JXR1C104K	C CAPACITOR	0.1uF 16V K	1	
	C5364	CK73JXR1C104K	C CAPACITOR	0.1uF 16V K	1	
	C5365	CC73JCH1H121J	C CAPACITOR	120pF 50V J	1	
	C5366	CK73JXR1C104K	C CAPACITOR	0.1uF 16V K	1	
	C5367	CC73JCH1H121J	C CAPACITOR	120pF 50V J	1	
	C5368	CK73JXR1C104K	C CAPACITOR	0.1uF 16V K	1	
	C5369	CC73JCH1H121J	C CAPACITOR	120pF 50V J	1	
	C5370	CC73JCH1H121J	C CAPACITOR	120pF 50V J	1	
	C5372	CK73JXR1C104K	C CAPACITOR	0.1uF 16V K	1	
	C5373	CC73JCH1H121J	C CAPACITOR	120pF 50V J	1	
	C5374	CK73JXR1C104K	C CAPACITOR	0.1uF 16V K	1	

MODEL	MARK	MODEL	MARK
KW-V960BW	K0_A	KW-V960BW	K0_B

Safe	Symbol No.	Parts No.	Parts Name	Description	QTY	Local
	C5375	CC73JCH1H121J	C CAPACITOR	120pF 50V J	1	
	C5376	CK73JXR1C104K	C CAPACITOR	0.1uF 16V K	1	
	C5377	CC73JCH1H121J	C CAPACITOR	120pF 50V J	1	
	C5378	CK73JXR1C104K	C CAPACITOR	0.1uF 16V K	1	
	C5379	CC73JCH1H121J	C CAPACITOR	120pF 50V J	1	
	C5380	CK73JXR1C104K	C CAPACITOR	0.1uF 16V K	1	
	C5381	CC73JCH1H121J	C CAPACITOR	120pF 50V J	1	
	C5382	CC73JCH1H121J	C CAPACITOR	120pF 50V J	1	
	C5383	CK73JXR1C104K	C CAPACITOR	0.1uF 16V K	1	
	C5385	CK73JXR1H102K	C CAPACITOR	1000pF 50V K	1	
	C5401	CC73JCH1H221J	C CAPACITOR	220pF 50V J	1	
	C5461	CK73JXR1C104K	C CAPACITOR	0.1uF 16V K	1	
	C5462	CK73JXR1C104K	C CAPACITOR	0.1uF 16V K	1	
	C5472	CK73JXR1C104K	C CAPACITOR	0.1uF 16V K	1	
	C5474	CK73JXR1H102K	C CAPACITOR	1000pF 50V K	1	
	C5475	CC73JCH1H221J	C CAPACITOR	220pF 50V J	1	
	C5479	CK73JXR1C104K	C CAPACITOR	0.1uF 16V K	1	
	C5480	CK73JXR1C104K	C CAPACITOR	0.1uF 16V K	1	
	C5481	CK73JXR1C104K	C CAPACITOR	0.1uF 16V K	1	
	C5482	CK73JXR1C104K	C CAPACITOR	0.1uF 16V K	1	
	C5484	CK73JXR1C104K	C CAPACITOR	0.1uF 16V K	1	
	C5485	CK73JXR1C104K	C CAPACITOR	0.1uF 16V K	1	
	C5486	CK73JXR1C104K	C CAPACITOR	0.1uF 16V K	1	
	C5487	CK73JXR1C104K	C CAPACITOR	0.1uF 16V K	1	
	C5488	CK73JXR1C104K	C CAPACITOR	0.1uF 16V K	1	
	C5489	CK73JXR1C104K	C CAPACITOR	0.1uF 16V K	1	
	C5490	CK73JXR1C104K	C CAPACITOR	0.1uF 16V K	1	
	C5491	CK73FXR1C106K	C CAPACITOR	10uF 16V K	1	
	C5493	CK73FXR1C106K	C CAPACITOR	10uF 16V K	1	
	C5494	CK73GXR0J106M	C CAPACITOR	10uF 6.3V M	1	
	C5495	CK73GXR0J106M	C CAPACITOR	10uF 6.3V M	1	
	C5496	CK73FXR1C106K	C CAPACITOR	10uF 16V K	1	
	C5497	CK73GXR0J106M	C CAPACITOR	10uF 6.3V M	1	
	C5498	CK73FXR1C106K	C CAPACITOR	10uF 16V K	1	
	C5499	CK73GXR0J106M	C CAPACITOR	10uF 6.3V M	1	
	C5500	CK73JXR1H103K	C CAPACITOR	0.01uF 50V K	1	
	C5501	CK73JXR1H103K	C CAPACITOR	0.01uF 50V K	1	
	C5502	CK73JXR1H103K	C CAPACITOR	0.01uF 50V K	1	
	C5503	CK73JXR1H103K	C CAPACITOR	0.01uF 50V K	1	
	C5504	CK73JXR1H102K	C CAPACITOR	1000pF 50V K	1	
	C5505	CK73JXR1H102K	C CAPACITOR	1000pF 50V K	1	
	C5506	CK73JXR1H102K	C CAPACITOR	1000pF 50V K	1	
	C5507	CK73HXR1C105K	C CAPACITOR	1uF 16V K	1	
	C5508	CK73HXR1C105K	C CAPACITOR	1uF 16V K	1	
	C5509	CK73HXR1C105K	C CAPACITOR	1uF 16V K	1	
	C5510	CK73HXR1C105K	C CAPACITOR	1uF 16V K	1	
	C5511	CC73JCH1H100D	C CAPACITOR	10pF 50V D	1	
	C5512	CC73JCH1H120J	C CAPACITOR	12pF 50V J	1	
	C5513	CK73HXR1C105K	C CAPACITOR	1uF 16V K	1	
	C5514	CK73HXR1C105K	C CAPACITOR	1uF 16V K	1	
	C5515	CK73HXR1C105K	C CAPACITOR	1uF 16V K	1	
	C5516	CK73GXR0J106M	C CAPACITOR	10uF 6.3V M	1	
	C5517	CK73GXR0J106M	C CAPACITOR	10uF 6.3V M	1	
	C5518	CK73FXR1C106K	C CAPACITOR	10uF 16V K	1	
	C5519	CK73FXR1C106K	C CAPACITOR	10uF 16V K	1	
	C5521	CK73HXR1C105K	C CAPACITOR	1uF 16V K	1	
	C5523	CK73HXR1C105K	C CAPACITOR	1uF 16V K	1	
	C5524	CK73HXR1C105K	C CAPACITOR	1uF 16V K	1	
	C5531	CK73FXR1C106K	C CAPACITOR	10uF 16V K	1	
	C5532	CK73JXR1C104K	C CAPACITOR	0.1uF 16V K	1	
	C5534	CK73HXR1C105K	C CAPACITOR	1uF 16V K	1	
	C5535	CK73HXR1C105K	C CAPACITOR	1uF 16V K	1	
	C5536	CK73HXR1C105K	C CAPACITOR	1uF 16V K	1	
	C5538	CK73FXR1C106K	C CAPACITOR	10uF 16V K	1	
	C5539	CK73JXR1C104K	C CAPACITOR	0.1uF 16V K	1	
	C5543	CK73JXR1C104K	C CAPACITOR	0.1uF 16V K	1	
	C5547	CK73JXR1C104K	C CAPACITOR	0.1uF 16V K	1	
	C5548	CK73JXR1C104K	C CAPACITOR	0.1uF 16V K	1	
	C5549	CK73HXR1C105K	C CAPACITOR	1uF 16V K	1	
	C5550	CK73JXR1C104K	C CAPACITOR	0.1uF 16V K	1	
	C5553	CK73JXR1C104K	C CAPACITOR	0.1uF 16V K	1	
	C5632	CK73JXR1C104K	C CAPACITOR	0.1uF 16V K	1	
	C5701	CK73JXR1C104K	C CAPACITOR	0.1uF 16V K	1	
	C5704	CC73JCH1H080C	C CAPACITOR	8pF 50V C	1	
	C5705	CC73JCH1H080C	C CAPACITOR	8pF 50V C	1	
	C5710	CK73JXR1C104K	C CAPACITOR	0.1uF 16V K	1	
	C5711	CK73JXR1C104K	C CAPACITOR	0.1uF 16V K	1	
	C5712	CK73JXR1C104K	C CAPACITOR	0.1uF 16V K	1	
	C5713	CK73JXR1C104K	C CAPACITOR	0.1uF 16V K	1	
	C5714	CK73JXR1C104K	C CAPACITOR	0.1uF 16V K	1	
	C5715	CK73JXR1C104K	C CAPACITOR	0.1uF 16V K	1	
	C5716	CK73JXR1C104K	C CAPACITOR	0.1uF 16V K	1	
	C5717	CK73JXR1C104K	C CAPACITOR	0.1uF 16V K	1	
	C5718	CK73JXR1C104K	C CAPACITOR	0.1uF 16V K	1	
	C5719	CK73JXR1C104K	C CAPACITOR	0.1uF 16V K	1	
	C5720	CK73JXR1C104K	C CAPACITOR	0.1uF 16V K	1	
	C5721	CK73JXR1C104K	C CAPACITOR	0.1uF 16V K	1	
	C5722	CK73JXR1C104K	C CAPACITOR	0.1uF 16V K	1	
	C5723	CK73JXR1C104K	C CAPACITOR	0.1uF 16V K	1	
	C5724	CK73JXR1C104K	C CAPACITOR	0.1uF 16V K	1	
	C5725	CK73JXR1C104K	C CAPACITOR	0.1uF 16V K	1	
	C5726	CK73JXR1C104K	C CAPACITOR	0.1uF 16V K	1	
	C5727	CK73JXR1C104K	C CAPACITOR	0.1uF 16V K	1	

MODEL	MARK	MODEL	MARK
KW-V960BW	K0_A	KW-V960BW	K0_B

Safe	Symbol No.	Parts No.	Parts Name	Description	QTY	Local
	C5728	CK73JXR1C104K	C CAPACITOR	0.1uF 16V K	1	
	C5729	CK73JXR1C104K	C CAPACITOR	0.1uF 16V K	1	
	C5730	CK73FXR1C106K	C CAPACITOR	10uF 16V K	1	
	C5731	CK73FXR1C106K	C CAPACITOR	10uF 16V K	1	
	C5732	CK73JXR1H102K	C CAPACITOR	1000pF 50V K	1	
	C5740	CK73FXR1C106K	C CAPACITOR	10uF 16V K	1	
	C5741	CK73FXR1C106K	C CAPACITOR	10uF 16V K	1	
	C5801	CK73HXR1H102K	C CAPACITOR	1000pF 50V K	1	
	C5903	CK73EXR1E106K	C CAPACITOR	10uF 25V K	1	
	C5904	CK73EXR1E106K	C CAPACITOR	10uF 25V K	1	
	C5905	CK73GXR1E224K	C CAPACITOR	0.22uF 25V K	1	
	C5907	CK73HXR1H104K	C CAPACITOR	0.1uF 50V K	1	
	C5908	CK73HXR1H104K	C CAPACITOR	0.1uF 50V K	1	
	C5910	CC73HCH1H101J	C CAPACITOR	100pF 50V J	1	
	C5911	CK73EXR0J476M	C CAPACITOR	47uF 6.3V M	1	
	C5912	CK73EXR0J476M	C CAPACITOR	47uF 6.3V M	1	
	C5913	CC73JCH1H221J	C CAPACITOR	220pF 50V J	1	
	C5916	CK73EXR1E106K	C CAPACITOR	10uF 25V K	1	
	C5917	CK73EXR1E106K	C CAPACITOR	10uF 25V K	1	
	C5918	CK73GXR1E224K	C CAPACITOR	0.22uF 25V K	1	
	C5920	CK73HXR1H104K	C CAPACITOR	0.1uF 50V K	1	
	C5921	CK73HXR1H104K	C CAPACITOR	0.1uF 50V K	1	
	C5923	CC73JCH1H470J	C CAPACITOR	47pF 50V J	1	
	C5924	CK73EXR0J476M	C CAPACITOR	47uF 6.3V M	1	
	C5925	CK73EXR0J476M	C CAPACITOR	47uF 6.3V M	1	
	C5926	CC73JCH1H221J	C CAPACITOR	220pF 50V J	1	
	C5933	CK73HXR1C105K	C CAPACITOR	1uF 16V K	1	
	C5934	CK73HXR1C105K	C CAPACITOR	1uF 16V K	1	
	C5936	CK73FXR1C106K	C CAPACITOR	10uF 16V K	1	
	C5937	CK73FXR1C106K	C CAPACITOR	10uF 16V K	1	
	C5938	CK73FXR1C106K	C CAPACITOR	10uF 16V K	1	
	C5939	CK73FXR1C106K	C CAPACITOR	10uF 16V K	1	
	C5940	CK73GXR1C225K	C CAPACITOR	2.2uF 16V K	1	
	C5941	CK73GXR1C225K	C CAPACITOR	2.2uF 16V K	1	
	C5951	CK73JXR1C104K	C CAPACITOR	0.1uF 16V K	1	
	C5961	CC73JCH1H220J	C CAPACITOR	22pF 50V J	1	
	C5972	CK73EXR1E106K	C CAPACITOR	10uF 25V K	1	
	C5973	CK73EXR1E106K	C CAPACITOR	10uF 25V K	1	
	C5974	CK73GXR1E224K	C CAPACITOR	0.22uF 25V K	1	
	C5975	CK73HXR1H104K	C CAPACITOR	0.1uF 50V K	1	
	C5976	CK73HXR1H104K	C CAPACITOR	0.1uF 50V K	1	
	C5979	CC73JCH1H560J	C CAPACITOR	56pF 50V J	1	
	C5980	CK73EXR0J476M	C CAPACITOR	47uF 6.3V M	1	
	C5981	CK73EXR0J476M	C CAPACITOR	47uF 6.3V M	1	
	C5982	CC73JCH1H221J	C CAPACITOR	220pF 50V J	1	
	C6020	CC73HCH1H040C	C CAPACITOR	4pF 50V C	1	
	C6025	CC73JCH1H221J	C CAPACITOR	220pF 50V J	1	
	C6026	CK73FXR1C106K	C CAPACITOR	10uF 16V K	1	
	C6027	CC73JCH1H221J	C CAPACITOR	220pF 50V J	1	
	C6028	CK73JXR1C104K	C CAPACITOR	0.1uF 16V K	1	
	C6029	CK73JXR1H103K	C CAPACITOR	0.01uF 50V K	1	
	C6030	CK73JXR1C104K	C CAPACITOR	0.1uF 16V K	1	
	C6032	CC73HCH1H040C	C CAPACITOR	4pF 50V C	1	
	C6203	CK73EXR1E106K	C CAPACITOR	10uF 25V K	1	
	C6204	CK73EXR1E106K	C CAPACITOR	10uF 25V K	1	
	C6205	CK73GXR1E224K	C CAPACITOR	0.22uF 25V K	1	
	C6206	CK73HXR1H104K	C CAPACITOR	0.1uF 50V K	1	
	C6207	CK73HXR1H104K	C CAPACITOR	0.1uF 50V K	1	
	C6210	CC73JCH1H560J	C CAPACITOR	56pF 50V J	1	
	C6211	CK73EXR1A476K	C CAPACITOR	47uF 10V K	1	
	C6212	CK73EXR1A476K	C CAPACITOR	47uF 10V K	1	
	C6213	CC73JCH1H221J	C CAPACITOR	220pF 50V J	1	
	C6214	CC73JCH1H070C	C CAPACITOR	7pF 50V C	1	
	C6215	CC73JCH1H070C	C CAPACITOR	7pF 50V C	1	
	C6216	CC73JCH1H070C	C CAPACITOR	7pF 50V C	1	
	C6301	CK73JXR1H103K	C CAPACITOR	0.01uF 50V K	1	
	C8001	CC73HCH1H100D	C CAPACITOR	10pF 50V D	1	
	C8002	CC73JCH1H100D	C CAPACITOR	10pF 50V D	1	
	C8003	CC73JCH1H100D	C CAPACITOR	10pF 50V D	1	
	C8004	CK73JXR1C104K	C CAPACITOR	0.1uF 16V K	1	
	C8005	CC73JCH1H100D	C CAPACITOR	10pF 50V D	1	
	C8006	CK73JXR1C104K	C CAPACITOR	0.1uF 16V K	1	
	C8007	CK73HXR1C105K	C CAPACITOR	1uF 16V K	1	
	C8008	CC73JCH1H100D	C CAPACITOR	10pF 50V D	1	
	C8009	CC73HCH1H100D	C CAPACITOR	10pF 50V D	1	
	C8010	CC73JCH1H100D	C CAPACITOR	10pF 50V D	1	
	C8011	CC73JCH1H100D	C CAPACITOR	10pF 50V D	1	
	C8012	CC73JCH1H100D	C CAPACITOR	10pF 50V D	1	
	C8013	CC73JCH1H150J	C CAPACITOR	15pF 50V J	1	
	C8014	CC73JCH1H100D	C CAPACITOR	10pF 50V D	1	
	C8015	CK73JXR1C104K	C CAPACITOR	0.1uF 16V K	1	
	C8016	CK73GXR1A475K	C CAPACITOR	4.7uF 10V K	1	
	C8017	CK73GXR1A475K	C CAPACITOR	4.7uF 10V K	1	
	C8018	CK73JXR1C104K	C CAPACITOR	0.1uF 16V K	1	
	C8019	CK73GXR1A475K	C CAPACITOR	4.7uF 10V K	1	
	C8021	CK73GXR1C225K	C CAPACITOR	2.2uF 16V K	1	
	C8022	CK73JXR1C104K	C CAPACITOR	0.1uF 16V K	1	
	C8101	CC73HCH1H030C	C CAPACITOR	3pF 50V C	1	
	C8102	CC73HCH1H0R5C	C CAPACITOR	0.5pF 50V C	1	
	C8103	CC73HCH1H100D	C CAPACITOR	10pF 50V D	1	
	C8105	CC73HCH1H020C	C CAPACITOR	2pF 50V C	1	
	C8106	CC73HCH1H010C	C CAPACITOR	1pF 50V C	1	

MODEL	MARK	MODEL	MARK
KW-V960BW	K0_A	KW-V960BW	K0_B

Safe	Symbol No.	Parts No.	Parts Name	Description	QTY	Local
	C8107	CC73HCH1H060D	C CAPACITOR	6pF 50V D	1	
	C8109	CK73JXR1H103K	C CAPACITOR	0.01uF 50V K	1	
	C8110	CK73HXR1C105K	C CAPACITOR	1uF 16V K	1	
	C8111	CK73HXR1C105K	C CAPACITOR	1uF 16V K	1	
	R632	RK73HH1J271D	MG RESISTOR	270Ω 1/16W D	1	
	R633	RK73HH1J750D	MG RESISTOR	75Ω 1/16W D	1	
	R5005	RK73HB1J103J	MG RESISTOR	10kΩ 1/16W J	1	
	R5006	RK73HB1J105J	MG RESISTOR	1MΩ 1/16W J	1	
	R5007	RK73HB1J103J	MG RESISTOR	10kΩ 1/16W J	1	
	R5008	RK73HB1J101J	MG RESISTOR	100Ω 1/16W J	1	
	R5012	RK73HB1J752J	MG RESISTOR	7.5kΩ 1/16W J	1	
	R5016	RK73HB1J103J	MG RESISTOR	10kΩ 1/16W J	1	
	R5017	RK73HB1J103J	MG RESISTOR	10kΩ 1/16W J	1	
	R5018	RK73HB1J103J	MG RESISTOR	10kΩ 1/16W J	1	
	R5023	RK73HB1J472J	MG RESISTOR	4.7kΩ 1/16W J	1	
	R5024	RK73HB1J470J	MG RESISTOR	47Ω 1/16W J	1	
	R5025	RK73HB1J470J	MG RESISTOR	47Ω 1/16W J	1	
	R5026	RK73HB1J470J	MG RESISTOR	47Ω 1/16W J	1	
	R5027	RK73HH1J432D	MG RESISTOR	4.3kΩ 1/16W D	1	
	R5028	RK73HB1J103J	MG RESISTOR	10kΩ 1/16W J	1	
	R5030	RK73HB1J470J	MG RESISTOR	47Ω 1/16W J	1	
	R5031	RK73HB1J470J	MG RESISTOR	47Ω 1/16W J	1	
	R5032	RK73HB1J470J	MG RESISTOR	47Ω 1/16W J	1	
	R5034	RK73HB1J182J	MG RESISTOR	1.8kΩ 1/16W J	1	
	R5036	RK73HB1J472J	MG RESISTOR	4.7kΩ 1/16W J	1	
	R5037	RK73HB1J470J	MG RESISTOR	47Ω 1/16W J	1	
	R5038	RK73HB1J470J	MG RESISTOR	47Ω 1/16W J	1	
	R5039	RK73HB1J182J	MG RESISTOR	1.8kΩ 1/16W J	1	
	R5040	RK73HB1J103J	MG RESISTOR	10kΩ 1/16W J	1	
	R5041	RK73HB1J103J	MG RESISTOR	10kΩ 1/16W J	1	
	R5042	RK73HH1J102D	MG RESISTOR	1kΩ 1/16W D	1	
	R5043	RK73HH1J102D	MG RESISTOR	1kΩ 1/16W D	1	
	R5044	RK73HB1J473J	MG RESISTOR	47kΩ 1/16W J	1	
	R5046	RK73HH1J201D	MG RESISTOR	200Ω 1/16W D	1	
	R5047	RK73HB1J272J	MG RESISTOR	2.7kΩ 1/16W J	1	
	R5048	RK73HB1J102J	MG RESISTOR	1kΩ 1/16W J	1	
	R5049	RK73HH1J201D	MG RESISTOR	200Ω 1/16W D	1	
	R5050	RK73HB1J102J	MG RESISTOR	1kΩ 1/16W J	1	
	R5051	RK73HB1J272J	MG RESISTOR	2.7kΩ 1/16W J	1	
	R5052	RK73HB1J472J	MG RESISTOR	4.7kΩ 1/16W J	1	
	R5053	RK73HB1J472J	MG RESISTOR	4.7kΩ 1/16W J	1	
	R5054	RK73HB1J103J	MG RESISTOR	10kΩ 1/16W J	1	
	R5056	RK73HB1J472J	MG RESISTOR	4.7kΩ 1/16W J	1	
	R5058	RK73HB1J473J	MG RESISTOR	47kΩ 1/16W J	1	
	R5059	RK73HB1J272J	MG RESISTOR	2.7kΩ 1/16W J	1	
	R5060	RK73HB1J472J	MG RESISTOR	4.7kΩ 1/16W J	1	
	R5062	RK73HB1J472J	MG RESISTOR	4.7kΩ 1/16W J	1	
	R5064	RK73HB1J472J	MG RESISTOR	4.7kΩ 1/16W J	1	
	R5067	RK73HB1J272J	MG RESISTOR	2.7kΩ 1/16W J	1	
	R5072	RK73HB1J103J	MG RESISTOR	10kΩ 1/16W J	1	
	R5073	RK73HH1J104D	MG RESISTOR	100kΩ 1/16W D	1	
	R5075	RK73HB1J103J	MG RESISTOR	10kΩ 1/16W J	1	
	R5076	RK73HB1J103J	MG RESISTOR	10kΩ 1/16W J	1	
	R5077	RK73HH1J241D	MG RESISTOR	240Ω 1/16W D	1	
	R5092	RK73HB1J103J	MG RESISTOR	10kΩ 1/16W J	1	
	R5094	RK73HB1J103J	MG RESISTOR	10kΩ 1/16W J	1	
	R5095	RK73HB1J103J	MG RESISTOR	10kΩ 1/16W J	1	
	R5097	RK73HB1J223J	MG RESISTOR	22kΩ 1/16W J	1	
	R5100	RK73HB1J103J	MG RESISTOR	10kΩ 1/16W J	1	
	R5101	RK73HB1J103J	MG RESISTOR	10kΩ 1/16W J	1	
	R5102	RK73HB1J103J	MG RESISTOR	10kΩ 1/16W J	1	
	R5103	RK73HB1J103J	MG RESISTOR	10kΩ 1/16W J	1	
	R5104	RK73HB1J472J	MG RESISTOR	4.7kΩ 1/16W J	1	
	R5105	RK73HB1J103J	MG RESISTOR	10kΩ 1/16W J	1	
	R5106	RK73HB1J472J	MG RESISTOR	4.7kΩ 1/16W J	1	
	R5109	RK73HB1J182J	MG RESISTOR	1.8kΩ 1/16W J	1	
	R5112	RK73HB1J103J	MG RESISTOR	10kΩ 1/16W J	1	
	R5113	RK73HB1J103J	MG RESISTOR	10kΩ 1/16W J	1	
	R5114	RK73HB1J103J	MG RESISTOR	10kΩ 1/16W J	1	
	R5115	RK73HB1J103J	MG RESISTOR	10kΩ 1/16W J	1	
	R5116	RK73HB1J182J	MG RESISTOR	1.8kΩ 1/16W J	1	
	R5117	RK73HB1J103J	MG RESISTOR	10kΩ 1/16W J	1	
	R5118	RK73HB1J103J	MG RESISTOR	10kΩ 1/16W J	1	
	R5119	RK73HB1J103J	MG RESISTOR	10kΩ 1/16W J	1	
	R5120	RK73HB1J272J	MG RESISTOR	2.7kΩ 1/16W J	1	
	R5121	RK73HB1J103J	MG RESISTOR	10kΩ 1/16W J	1	
	R5122	RK73HB1J103J	MG RESISTOR	10kΩ 1/16W J	1	
	R5123	RK73HB1J103J	MG RESISTOR	10kΩ 1/16W J	1	
	R5124	RK73HB1J272J	MG RESISTOR	2.7kΩ 1/16W J	1	
	R5126	RK73HB1J103J	MG RESISTOR	10kΩ 1/16W J	1	
	R5127	RK73HB1J103J	MG RESISTOR	10kΩ 1/16W J	1	
	R5128	RK73HB1J103J	MG RESISTOR	10kΩ 1/16W J	1	
	R5130	RK73HB1J101J	MG RESISTOR	100Ω 1/16W J	1	
	R5131	RK73HB1J101J	MG RESISTOR	100Ω 1/16W J	1	
	R5145	RK73HH1J123D	MG RESISTOR	12kΩ 1/16W D	1	
	R5146	RK73HH1J243D	MG RESISTOR	24kΩ 1/16W D	1	
	R5151	RK73HB1J103J	MG RESISTOR	10kΩ 1/16W J	1	
	R5154	RK73HB1J101J	MG RESISTOR	100Ω 1/16W J	1	
	R5155	RK73HB1J101J	MG RESISTOR	100Ω 1/16W J	1	
	R5156	RK73HB1J473J	MG RESISTOR	47kΩ 1/16W J	1	
	R5157	RK73HB1J272J	MG RESISTOR	2.7kΩ 1/16W J	1	
	R5203	RK73HB1J103J	MG RESISTOR	10kΩ 1/16W J	1	

MODEL	MARK	MODEL	MARK
KW-V960BW	K0_A	KW-V960BW	K0_B

Safe	Symbol No.	Parts No.	Parts Name	Description	QTY	Local
	R5204	RK73HB1J472J	MG RESISTOR	4.7kΩ 1/16W J	1	
	R5205	RK73HB1J102J	MG RESISTOR	1kΩ 1/16W J	1	
	R5206	RK73HB1J103J	MG RESISTOR	10kΩ 1/16W J	1	
	R5207	RK73HB1J103J	MG RESISTOR	10kΩ 1/16W J	1	
	R5220	RK73HB1J680J	MG RESISTOR	68Ω 1/16W J	1	
	R5221	RK73HB1J680J	MG RESISTOR	68Ω 1/16W J	1	
	R5222	RK73HB1J680J	MG RESISTOR	68Ω 1/16W J	1	
	R5223	RK73HB1J680J	MG RESISTOR	68Ω 1/16W J	1	
	R5224	RK73HB1J680J	MG RESISTOR	68Ω 1/16W J	1	
	R5225	RK73HB1J680J	MG RESISTOR	68Ω 1/16W J	1	
	R5226	RK73HB1J680J	MG RESISTOR	68Ω 1/16W J	1	
	R5227	RK73HB1J680J	MG RESISTOR	68Ω 1/16W J	1	
	R5231	RK73HB1J680J	MG RESISTOR	68Ω 1/16W J	1	
	R5232	RK73HB1J680J	MG RESISTOR	68Ω 1/16W J	1	
	R5233	RK73HB1J680J	MG RESISTOR	68Ω 1/16W J	1	
	R5234	RK73HB1J680J	MG RESISTOR	68Ω 1/16W J	1	
	R5236	RK73HB1J680J	MG RESISTOR	68Ω 1/16W J	1	
	R5237	RK73HB1J680J	MG RESISTOR	68Ω 1/16W J	1	
	R5238	RK73HB1J680J	MG RESISTOR	68Ω 1/16W J	1	
	R5265	RK73HB1J103J	MG RESISTOR	10kΩ 1/16W J	1	
	R5266	RK73HB1J473J	MG RESISTOR	47kΩ 1/16W J	1	
	R5268	RK73HB1J101J	MG RESISTOR	100Ω 1/16W J	1	
	R5269	RK73HB1J220J	MG RESISTOR	22Ω 1/16W J	1	
	R5270	RK73HB1J100J	MG RESISTOR	10Ω 1/16W J	1	
	R5271	RK73HB1J220J	MG RESISTOR	22Ω 1/16W J	1	
	R5272	RK73HB1J220J	MG RESISTOR	22Ω 1/16W J	1	
	R5273	RK73HB1J220J	MG RESISTOR	22Ω 1/16W J	1	
	R5274	RK73HB1J220J	MG RESISTOR	22Ω 1/16W J	1	
	R5275	RK73HB1J220J	MG RESISTOR	22Ω 1/16W J	1	
	R5276	RK73HB1J220J	MG RESISTOR	22Ω 1/16W J	1	
	R5277	RK73HB1J220J	MG RESISTOR	22Ω 1/16W J	1	
	R5278	RK73HB1J220J	MG RESISTOR	22Ω 1/16W J	1	
	R5301	RK73HH1J102D	MG RESISTOR	1kΩ 1/16W D	1	
	R5302	RK73HH1J102D	MG RESISTOR	1kΩ 1/16W D	1	
	R5303	RK73HH1J102D	MG RESISTOR	1kΩ 1/16W D	1	
	R5304	RK73HH1J102D	MG RESISTOR	1kΩ 1/16W D	1	
	R5305	RK73HH1J241D	MG RESISTOR	240Ω 1/16W D	1	
	R5306	RK73HH1J102D	MG RESISTOR	1kΩ 1/16W D	1	
	R5307	RK73HH1J102D	MG RESISTOR	1kΩ 1/16W D	1	
	R5308	RK73HH1J102D	MG RESISTOR	1kΩ 1/16W D	1	
	R5309	RK73HH1J102D	MG RESISTOR	1kΩ 1/16W D	1	
	R5310	RK73HH1J241D	MG RESISTOR	240Ω 1/16W D	1	
	R5311	RK73HH1J201D	MG RESISTOR	200Ω 1/16W D	1	
	R5312	RK73HH1J201D	MG RESISTOR	200Ω 1/16W D	1	
	R5401	RK73HH1J101D	MG RESISTOR	100Ω 1/16W D	1	
	R5402	RK73HH1J101D	MG RESISTOR	100Ω 1/16W D	1	
	R5403	RK73HH1J101D	MG RESISTOR	100Ω 1/16W D	1	
	R5404	RK73HH1J101D	MG RESISTOR	100Ω 1/16W D	1	
	R5405	RK73HH1J101D	MG RESISTOR	100Ω 1/16W D	1	
	R5407	RK73HB1J330J	MG RESISTOR	33Ω 1/16W J	1	
	R5422	RK73HH1J201D	MG RESISTOR	200Ω 1/16W D	1	
	R5423	RK73HB1J000J	MG RESISTOR	0Ω 1/16W J	1	
	R5424	RK73HH1J201D	MG RESISTOR	200Ω 1/16W D	1	
	R5425	RK73HH1J201D	MG RESISTOR	200Ω 1/16W D	1	
	R5428	RK73HB1J473J	MG RESISTOR	47kΩ 1/16W J	1	
	R5429	RK73HB1J102J	MG RESISTOR	1kΩ 1/16W J	1	
	R5430	RK73HB1J105J	MG RESISTOR	1MΩ 1/16W J	1	
	R5432	RK73HB1J000J	MG RESISTOR	0Ω 1/16W J	1	
	R5435	RK73HB1J101J	MG RESISTOR	100Ω 1/16W J	1	
	R5444	RK73HB1J103J	MG RESISTOR	10kΩ 1/16W J	1	
	R5447	RK73HB1J000J	MG RESISTOR	0Ω 1/16W J	1	
	R5449	RK73HB1J000J	MG RESISTOR	0Ω 1/16W J	1	
	R5451	RK73HB1J000J	MG RESISTOR	0Ω 1/16W J	1	
	R5461	RK73HB1J224J	MG RESISTOR	220kΩ 1/16W J	1	
	R5462	RK73HB1J472J	MG RESISTOR	4.7kΩ 1/16W J	1	
	R5463	RK73HB1J472J	MG RESISTOR	4.7kΩ 1/16W J	1	
	R5471	RK73HB1J103J	MG RESISTOR	10kΩ 1/16W J	1	
	R5473	RK73HB1J103J	MG RESISTOR	10kΩ 1/16W J	1	
	R5474	RK73HB1J101J	MG RESISTOR	100Ω 1/16W J	1	
	R5481	RK73HB1J330J	MG RESISTOR	33Ω 1/16W J	1	
	R5482	RK73HB1J330J	MG RESISTOR	33Ω 1/16W J	1	
	R5483	RK73HB1J330J	MG RESISTOR	33Ω 1/16W J	1	
	R5484	RK73HB1J330J	MG RESISTOR	33Ω 1/16W J	1	
	R5498	RK73HB1J101J	MG RESISTOR	100Ω 1/16W J	1	
	R5501	RK73HH1J201D	MG RESISTOR	200Ω 1/16W D	1	
	R5502	RK73HB1J563J	MG RESISTOR	56kΩ 1/16W J	1	
	R5504	RK73HH1J201D	MG RESISTOR	200Ω 1/16W D	1	
	R5505	RK73HB1J563J	MG RESISTOR	56kΩ 1/16W J	1	
	R5507	RK73HH1J201D	MG RESISTOR	200Ω 1/16W D	1	
	R5508	RK73HB1J563J	MG RESISTOR	56kΩ 1/16W J	1	
	R5510	RK73HH1J201D	MG RESISTOR	200Ω 1/16W D	1	
	R5521	RK73HB1J472J	MG RESISTOR	4.7kΩ 1/16W J	1	
	R5522	RK73HB1J472J	MG RESISTOR	4.7kΩ 1/16W J	1	
	R5523	RK73HB1J472J	MG RESISTOR	4.7kΩ 1/16W J	1	
	R5524	RK73HB1J472J	MG RESISTOR	4.7kΩ 1/16W J	1	
	R5525	RK73HB1J472J	MG RESISTOR	4.7kΩ 1/16W J	1	
	R5526	RK73HB1J472J	MG RESISTOR	4.7kΩ 1/16W J	1	
	R5527	RK73HB1J472J	MG RESISTOR	4.7kΩ 1/16W J	1	
	R5528	RK73HB1J472J	MG RESISTOR	4.7kΩ 1/16W J	1	
	R5529	RK73HB1J472J	MG RESISTOR	4.7kΩ 1/16W J	1	
	R5539	RK73HB1J224J	MG RESISTOR	220kΩ 1/16W J	1	
	R5549	RK73HH1J302D	MG RESISTOR	3kΩ 1/16W D	1	
	R5550	RK73HH1J302D	MG RESISTOR	3kΩ 1/16W D	1	

MODEL	MARK	MODEL	MARK
KW-V960BW	K0_A	KW-V960BW	K0_B

Safe	Symbol No.	Parts No.	Parts Name	Description	QTY	Local
	R5551	RK73HB1J101J	MG RESISTOR	100Ω 1/16W J	1	
	R5552	RK73HB1J101J	MG RESISTOR	100Ω 1/16W J	1	
	R5553	RK73HH1J302D	MG RESISTOR	3kΩ 1/16W D	1	
	R5554	RK73HB1J101J	MG RESISTOR	100Ω 1/16W J	1	
	R5559	RK73HB1J104J	MG RESISTOR	100kΩ 1/16W J	1	
	R5560	RK73HB1J104J	MG RESISTOR	100kΩ 1/16W J	1	
	R5561	RK73HB1J104J	MG RESISTOR	100kΩ 1/16W J	1	
	R5562	RK73HB1J101J	MG RESISTOR	100Ω 1/16W J	1	
	R5563	RK73HB1J101J	MG RESISTOR	100Ω 1/16W J	1	
	R5564	RK73HB1J101J	MG RESISTOR	100Ω 1/16W J	1	
	R5564	RK73HB1J101J	MG RESISTOR	100Ω 1/16W J	1	
	R5574	RK73HB1J272J	MG RESISTOR	2.7kΩ 1/16W J	1	
	R5575	RK73HB1J104J	MG RESISTOR	100kΩ 1/16W J	1	
	R5576	RK73HB1J103J	MG RESISTOR	10kΩ 1/16W J	1	
	R5641	RK73HB1J122J	MG RESISTOR	1.2kΩ 1/16W J	1	
	R5643	RK73HB1J103J	MG RESISTOR	10kΩ 1/16W J	1	
	R5644	RK73HB1J272J	MG RESISTOR	2.7kΩ 1/16W J	1	
	R5646	RK73HB1J101J	MG RESISTOR	100Ω 1/16W J	1	
	R5647	RK73HB1J101J	MG RESISTOR	100Ω 1/16W J	1	
	R5648	RK73HB1J101J	MG RESISTOR	100Ω 1/16W J	1	
	R5649	RK73HB1J473J	MG RESISTOR	47kΩ 1/16W J	1	
	R5651	RK73HB1J101J	MG RESISTOR	100Ω 1/16W J	1	
	R5658	RK73HB1J473J	MG RESISTOR	47kΩ 1/16W J	1	
	R5665	RK73HB1J472J	MG RESISTOR	4.7kΩ 1/16W J	1	
	R5666	RK73HB1J103J	MG RESISTOR	10kΩ 1/16W J	1	
	R5667	RK73HB1J102J	MG RESISTOR	1kΩ 1/16W J	1	
	R5668	RK73HB1J472J	MG RESISTOR	4.7kΩ 1/16W J	1	
	R5670	RK73HB1J472J	MG RESISTOR	4.7kΩ 1/16W J	1	
	R5703	RK73HB1J473J	MG RESISTOR	47kΩ 1/16W J	1	
	R5704	RK73HB1J473J	MG RESISTOR	47kΩ 1/16W J	1	
	R5705	RK73HB1J272J	MG RESISTOR	2.7kΩ 1/16W J	1	
	R5709	RK73HB1J473J	MG RESISTOR	47kΩ 1/16W J	1	
	R5712	RK73HB1J272J	MG RESISTOR	2.7kΩ 1/16W J	1	
	R5713	RK73HB1J103J	MG RESISTOR	10kΩ 1/16W J	1	
	R5714	RK73HB1J103J	MG RESISTOR	10kΩ 1/16W J	1	
	R5717	RK73HB1J103J	MG RESISTOR	10kΩ 1/16W J	1	
	R5718	RK73HB1J103J	MG RESISTOR	10kΩ 1/16W J	1	
	R5723	RK73HB1J103J	MG RESISTOR	10kΩ 1/16W J	1	
	R5724	RK73HB1J272J	MG RESISTOR	2.7kΩ 1/16W J	1	
	R5729	RK73HB1J103J	MG RESISTOR	10kΩ 1/16W J	1	
	R5731	RK73HB1J103J	MG RESISTOR	10kΩ 1/16W J	1	
	R5732	RK73HB1J103J	MG RESISTOR	10kΩ 1/16W J	1	
	R5733	RK73HH1J201D	MG RESISTOR	200Ω 1/16W D	1	
	R5734	RK73HH1J362D	MG RESISTOR	3.6kΩ 1/16W D	1	
	R5735	RK73HH1J222D	MG RESISTOR	2.2kΩ 1/16W D	1	
	R5736	RK73HH1J241D	MG RESISTOR	240Ω 1/16W D	1	
	R5737	RK73HB1J000J	MG RESISTOR	0Ω 1/16W J	1	
	R5738	RK73HB1J000J	MG RESISTOR	0Ω 1/16W J	1	
	R5739	RK73HB1J000J	MG RESISTOR	0Ω 1/16W J	1	
	R5740	RK73HB1J000J	MG RESISTOR	0Ω 1/16W J	1	
	R5790	RK73HB1J101J	MG RESISTOR	100Ω 1/16W J	1	
	R5791	RK73HB1J101J	MG RESISTOR	100Ω 1/16W J	1	
	R5803	RK73HB1J101J	MG RESISTOR	100Ω 1/16W J	1	
	R5804	RK73HB1J101J	MG RESISTOR	100Ω 1/16W J	1	
	R5805	RK73HB1J101J	MG RESISTOR	100Ω 1/16W J	1	
	R5806	RK73HB1J101J	MG RESISTOR	100Ω 1/16W J	1	
	R5807	RK73HB1J101J	MG RESISTOR	100Ω 1/16W J	1	
	R5808	RK73HB1J101J	MG RESISTOR	100Ω 1/16W J	1	
	R5809	RK73HB1J101J	MG RESISTOR	100Ω 1/16W J	1	
	R5810	RK73HB1J101J	MG RESISTOR	100Ω 1/16W J	1	
	R5811	RK73HB1J101J	MG RESISTOR	100Ω 1/16W J	1	
	R5815	RK73HB1J101J	MG RESISTOR	100Ω 1/16W J	1	
	R5816	RK73HB1J101J	MG RESISTOR	100Ω 1/16W J	1	
	R5830	RK73HB1J101J	MG RESISTOR	100Ω 1/16W J	1	
	R5834	RK73HB1J101J	MG RESISTOR	100Ω 1/16W J	1	
	R5835	RK73HB1J101J	MG RESISTOR	100Ω 1/16W J	1	
	R5837	RK73HB1J101J	MG RESISTOR	100Ω 1/16W J	1	
	R5838	RK73HB1J101J	MG RESISTOR	100Ω 1/16W J	1	
	R5839	RK73HB1J101J	MG RESISTOR	100Ω 1/16W J	1	
	R5840	RK73HB1J101J	MG RESISTOR	100Ω 1/16W J	1	
	R5841	RK73HB1J101J	MG RESISTOR	100Ω 1/16W J	1	
	R5843	RK73HB1J101J	MG RESISTOR	100Ω 1/16W J	1	
	R5847	RK73HB1J101J	MG RESISTOR	100Ω 1/16W J	1	
	R5853	RK73HB1J101J	MG RESISTOR	100Ω 1/16W J	1	
	R5855	RK73HB1J101J	MG RESISTOR	100Ω 1/16W J	1	
	R5857	RK73HB1J101J	MG RESISTOR	100Ω 1/16W J	1	
	R5863	RK73HB1J472J	MG RESISTOR	4.7kΩ 1/16W J	1	
	R5864	RK73HB1J472J	MG RESISTOR	4.7kΩ 1/16W J	1	
	R5892	RK73HB1J472J	MG RESISTOR	4.7kΩ 1/16W J	1	
	R5918	RK73GB2A200J	MG RESISTOR	20Ω 1/10W J	1	
	R5922	RK73HH1J102D	MG RESISTOR	1kΩ 1/16W D	1	
	R5923	RK73HH1J222D	MG RESISTOR	2.2kΩ 1/16W D	1	
	R5924	RK73HH1J393D	MG RESISTOR	39kΩ 1/16W D	1	
	R5925	RK73HH1J123D	MG RESISTOR	12kΩ 1/16W D	1	
	R5926	RK73GB2A331J	MG RESISTOR	330Ω 1/10W J	1	
	R5927	RK73HB1J101J	MG RESISTOR	100Ω 1/16W J	1	
	R5928	RK73GB2A200J	MG RESISTOR	20Ω 1/10W J	1	
	R5930	RK73HH1J273D	MG RESISTOR	27kΩ 1/16W D	1	
	R5932	RK73HH1J563D	MG RESISTOR	56kΩ 1/16W D	1	
	R5933	RK73HH1J222D	MG RESISTOR	2.2kΩ 1/16W D	1	
	R5934	RK73HH1J393D	MG RESISTOR	39kΩ 1/16W D	1	
	R5935	RK73HH1J823D	MG RESISTOR	82kΩ 1/16W D	1	
	R5942	RK73GB2A200J	MG RESISTOR	20Ω 1/10W J	1	

MODEL	MARK	MODEL	MARK
KW-V960BW	K0_A	KW-V960BW	K0_B

Safe	Symbol No.	Parts No.	Parts Name	Description	QTY	Local
	R5944	RK73HH1J222D	MG RESISTOR	2.2kΩ 1/16W D	1	
	R5945	RK73HH1J393D	MG RESISTOR	39kΩ 1/16W D	1	
	R5946	RK73HH1J823D	MG RESISTOR	82kΩ 1/16W D	1	
	R5947	RK73HH1J243D	MG RESISTOR	24kΩ 1/16W D	1	
	R5949	RK73HH1J273D	MG RESISTOR	27kΩ 1/16W D	1	
	R5951	RK73HB1J101J	MG RESISTOR	100Ω 1/16W J	1	
	R5954	RK73HH1J183D	MG RESISTOR	18kΩ 1/16W D	1	
	R5955	RK73HH1J153D	MG RESISTOR	15kΩ 1/16W D	1	
	R5956	RK73HH1J751D	MG RESISTOR	750Ω 1/16W D	1	
	R5960	RK73HB1J102J	MG RESISTOR	1kΩ 1/16W J	1	
	R5961	RK73HB1J473J	MG RESISTOR	47kΩ 1/16W J	1	
	R5964	RK73HB1J101J	MG RESISTOR	100Ω 1/16W J	1	
	R5966	RK73HB1J221J	MG RESISTOR	220Ω 1/16W J	1	
	R5970	RK73GB2A331J	MG RESISTOR	330Ω 1/10W J	1	
	R5971	RK73GB2A331J	MG RESISTOR	330Ω 1/10W J	1	
	R6002	RK73HB1J101J	MG RESISTOR	100Ω 1/16W J	1	
	R6003	RK73HB1J101J	MG RESISTOR	100Ω 1/16W J	1	
	R6004	RK73HB1J101J	MG RESISTOR	100Ω 1/16W J	1	
	R6005	RK73HB1J101J	MG RESISTOR	100Ω 1/16W J	1	
	R6006	RK73HB1J330J	MG RESISTOR	33Ω 1/16W J	1	
	R6007	RK73HB1J330J	MG RESISTOR	33Ω 1/16W J	1	
	R6009	RK73HB1J101J	MG RESISTOR	100Ω 1/16W J	1	
	R6010	RK73HB1J101J	MG RESISTOR	100Ω 1/16W J	1	
	R6011	RK73HB1J101J	MG RESISTOR	100Ω 1/16W J	1	
	R6012	RK73HB1J101J	MG RESISTOR	100Ω 1/16W J	1	
	R6013	RK73HB1J101J	MG RESISTOR	100Ω 1/16W J	1	
	R6014	RK73HB1J101J	MG RESISTOR	100Ω 1/16W J	1	
	R6015	RK73HB1J101J	MG RESISTOR	100Ω 1/16W J	1	
	R6016	RK73HB1J101J	MG RESISTOR	100Ω 1/16W J	1	
	R6038	RK73HB1J330J	MG RESISTOR	33Ω 1/16W J	1	
	R6043	RK73HB1J680J	MG RESISTOR	68Ω 1/16W J	1	
	R6044	RK73HB1J680J	MG RESISTOR	68Ω 1/16W J	1	
	R6045	RK73HB1J680J	MG RESISTOR	68Ω 1/16W J	1	
	R6046	RK73HB1J680J	MG RESISTOR	68Ω 1/16W J	1	
	R6047	RK73HB1J680J	MG RESISTOR	68Ω 1/16W J	1	
	R6048	RK73HB1J680J	MG RESISTOR	68Ω 1/16W J	1	
	R6049	RK73HB1J680J	MG RESISTOR	68Ω 1/16W J	1	
	R6050	RK73HB1J680J	MG RESISTOR	68Ω 1/16W J	1	
	R6051	RK73HB1J680J	MG RESISTOR	68Ω 1/16W J	1	
	R6052	RK73HB1J680J	MG RESISTOR	68Ω 1/16W J	1	
	R6053	RK73HB1J680J	MG RESISTOR	68Ω 1/16W J	1	
	R6054	RK73HB1J680J	MG RESISTOR	68Ω 1/16W J	1	
	R6055	RK73HB1J680J	MG RESISTOR	68Ω 1/16W J	1	
	R6056	RK73HB1J680J	MG RESISTOR	68Ω 1/16W J	1	
	R6057	RK73HB1J680J	MG RESISTOR	68Ω 1/16W J	1	
	R6058	RK73HB1J680J	MG RESISTOR	68Ω 1/16W J	1	
	R6059	RK73HB1J680J	MG RESISTOR	68Ω 1/16W J	1	
	R6060	RK73HB1J680J	MG RESISTOR	68Ω 1/16W J	1	
	R6066	RK73HB1J680J	MG RESISTOR	68Ω 1/16W J	1	
	R6081	RK73HB1J123J	MG RESISTOR	12kΩ 1/16W J	1	
	R6082	RK73HB1J123J	MG RESISTOR	12kΩ 1/16W J	1	
	R6110	RK73HB1J103J	MG RESISTOR	10kΩ 1/16W J	1	
	R6201	RK73HB1J101J	MG RESISTOR	100Ω 1/16W J	1	
	R6202	RK73GB2A200J	MG RESISTOR	20Ω 1/10W J	1	
	R6204	RK73HH1J273D	MG RESISTOR	27kΩ 1/16W D	1	
	R6206	RK73HH1J222D	MG RESISTOR	2.2kΩ 1/16W D	1	
	R6207	RK73HH1J393D	MG RESISTOR	39kΩ 1/16W D	1	
	R6208	RK73HH1J752D	MG RESISTOR	7.5kΩ 1/16W D	1	
	R6209	RK73HH1J101D	MG RESISTOR	100Ω 1/16W D	1	
	R6212	RK73HH1J100D	MG RESISTOR	10Ω 1/16W D	1	
	R6301	RK73HB1J220J	MG RESISTOR	22Ω 1/16W J	1	
	R6302	RK73HB1J220J	MG RESISTOR	22Ω 1/16W J	1	
	R6303	RK73HB1J101J	MG RESISTOR	100Ω 1/16W J	1	
	R6304	RK73HB1J101J	MG RESISTOR	100Ω 1/16W J	1	
	R6305	RK73HB1J101J	MG RESISTOR	100Ω 1/16W J	1	
	R6306	RK73HB1J101J	MG RESISTOR	100Ω 1/16W J	1	
	R6307	RK73HB1J220J	MG RESISTOR	22Ω 1/16W J	1	
	R6309	RK73HB1J220J	MG RESISTOR	22Ω 1/16W J	1	
	R6310	RK73HB1J220J	MG RESISTOR	22Ω 1/16W J	1	
	R6311	RK73HB1J220J	MG RESISTOR	22Ω 1/16W J	1	
	R6312	RK73HB1J220J	MG RESISTOR	22Ω 1/16W J	1	
	R6313	RK73HB1J220J	MG RESISTOR	22Ω 1/16W J	1	
	R6314	RK73HB1J103J	MG RESISTOR	10kΩ 1/16W J	1	
	R6315	RK73HB1J103J	MG RESISTOR	10kΩ 1/16W J	1	
	R6317	RK73HB1J472J	MG RESISTOR	4.7kΩ 1/16W J	1	
	R6318	RK73HB1J472J	MG RESISTOR	4.7kΩ 1/16W J	1	
	R6320	RK73HB1J472J	MG RESISTOR	4.7kΩ 1/16W J	1	
	R6321	RK73HB1J472J	MG RESISTOR	4.7kΩ 1/16W J	1	
	R6322	RK73HB1J472J	MG RESISTOR	4.7kΩ 1/16W J	1	
	R6323	RK73HB1J103J	MG RESISTOR	10kΩ 1/16W J	1	
	R6324	RK73HB1J472J	MG RESISTOR	4.7kΩ 1/16W J	1	
	R6327	RK73HB1J223J	MG RESISTOR	22kΩ 1/16W J	1	
	R6331	RK73HB1J272J	MG RESISTOR	2.7kΩ 1/16W J	1	
	R8002	RK73HB1J103J	MG RESISTOR	10kΩ 1/16W J	1	
	R8003	RK73HB1J272J	MG RESISTOR	2.7kΩ 1/16W J	1	
	R8004	RK73HB1J272J	MG RESISTOR	2.7kΩ 1/16W J	1	
	R8005	RK73HB1J103J	MG RESISTOR	10kΩ 1/16W J	1	
	R8006	RK73HB1J103J	MG RESISTOR	10kΩ 1/16W J	1	
	R8010	RK73HB1J102J	MG RESISTOR	1kΩ 1/16W J	1	
	R8012	RK73HB1J330J	MG RESISTOR	33Ω 1/16W J	1	
	R8013	RK73HB1J330J	MG RESISTOR	33Ω 1/16W J	1	
	R8014	RK73HB1J330J	MG RESISTOR	33Ω 1/16W J	1	

MODEL	MARK	MODEL	MARK
KW-V960BW	K0_A	KW-V960BW	K0_B

Safe	Symbol No.	Parts No.	Parts Name	Description	QTY	Local
	R8015	RK73HB1J330J	MG RESISTOR	33Ω 1/16W J	1	
	R8016	RK73HB1J473J	MG RESISTOR	47kΩ 1/16W J	1	
	R8017	RK73HB1J473J	MG RESISTOR	47kΩ 1/16W J	1	
	R8018	RK73HB1J473J	MG RESISTOR	47kΩ 1/16W J	1	
	R8019	RK73HB1J473J	MG RESISTOR	47kΩ 1/16W J	1	
	R8020	RK73HB1J473J	MG RESISTOR	47kΩ 1/16W J	1	
	R8022	RK73HB1J101J	MG RESISTOR	100Ω 1/16W J	1	
	R8024	RK73HB1J101J	MG RESISTOR	100Ω 1/16W J	1	
	R8026	RK73HB1J680J	MG RESISTOR	68Ω 1/16W J	1	
	R8028	RK73HB1J680J	MG RESISTOR	68Ω 1/16W J	1	
	R8029	RK73HB1J680J	MG RESISTOR	68Ω 1/16W J	1	
	R8030	RK73HH1J162D	MG RESISTOR	1.6kΩ 1/16W D	1	
	R8032	RK73HH1J562D	MG RESISTOR	5.6kΩ 1/16W D	1	
	R8033	RK73HH1J330D	MG RESISTOR	33Ω 1/16W D	1	
	R8034	RK73HH1J331D	MG RESISTOR	330Ω 1/16W D	1	
	R8037	RK73HH1J820D	MG RESISTOR	82Ω 1/16W D	1	
	RA521	RK74HB1J473J	NET RESISTOR	47kΩ 1/16W J	1	
	RA522	RK74HB1J473J	NET RESISTOR	47kΩ 1/16W J	1	
	RA548	RK74HB1J330J	MG RESISTOR	33Ω 1/16W J	1	
	RA549	RK74HB1J330J	MG RESISTOR	33Ω 1/16W J	1	
	L631	LB73G0ED-004	CHIP FERRITE		1	
	L5001	LB73G0ED-003	CHIP FERRITE		1	
	L5002	LB73G0ED-003	CHIP FERRITE		1	
	L5402	LB73G0ED-004	CHIP FERRITE		1	
	L5403	LB73G0ED-004	CHIP FERRITE		1	
	L5405	LB73G0ED-004	CHIP FERRITE		1	
	L5406	LB73G0ED-004	CHIP FERRITE		1	
	L5501	LB73G0ED-004	CHIP FERRITE		1	
	L5704	LB73G0ED-004	CHIP FERRITE		1	
	L5705	LB73G0ED-004	CHIP FERRITE		1	
	L5706	LB73G0ED-004	CHIP FERRITE		1	
	L5901	LR79Z0EW5R1N	CHIP INDUCTOR		1	
	L5902	LR79Z0EW5R1N	CHIP INDUCTOR		1	
	L5904	LB73G0ED-004	CHIP FERRITE		1	
	L5908	LR79Z0EW5R1N	CHIP INDUCTOR		1	
	L6001	LB73H0EK-001	CHIP FERRITE		1	
	L6002	LB73H0EK-001	CHIP FERRITE		1	
	L6003	LB73H0EK-001	CHIP FERRITE		1	
	L6004	LB73H0EK-001	CHIP FERRITE		1	
	L6005	LB73H0EK-001	CHIP FERRITE		1	
	L6006	LB73H0EK-001	CHIP FERRITE		1	
	L6007	LB73H0EK-001	CHIP FERRITE		1	
	L6008	LB73H0EK-001	CHIP FERRITE		1	
	L6009	LB73H0EK-001	CHIP FERRITE		1	
	L6010	LB73H0EK-001	CHIP FERRITE		1	
	L6011	LB73H0EK-001	CHIP FERRITE		1	
	L6012	LB73H0EK-001	CHIP FERRITE		1	
	L6013	LB73H0EK-001	CHIP FERRITE		1	
	L6014	LB73H0EK-001	CHIP FERRITE		1	
	L6015	LB73H0EK-001	CHIP FERRITE		1	
	L6016	LB73H0EK-001	CHIP FERRITE		1	
	L6017	LB73H0EK-001	CHIP FERRITE		1	
	L6018	LB73H0EK-001	CHIP FERRITE		1	
	L6024	LB73H0EK-001	CHIP FERRITE		1	
	L6025	LR79Z0JP5R1N	CHIP INDUCTOR		1	
	L6027	LB73H0EK-001	CHIP FERRITE		1	
	L6202	LR79Z0EW5R1N	CHIP INDUCTOR		1	
	L8001	LB73G0ED-004	CHIP FERRITE		1	
	L8002	LB73G0ED-004	CHIP FERRITE		1	
	L8003	LB73G0ED-004	CHIP FERRITE		1	
	L8004	LB73G0ED-004	CHIP FERRITE		1	
	L8101	LK73H0AM2N2S	M.CHIP INDUCTOR		1	
	L8102	LK73H0AM2N2S	M.CHIP INDUCTOR		1	
	A8001	W0C-0340-00	RF MODULE		1	
	AT801	T9A-0052-00	CHIP ANTENNA		1	
	AT802	T9A-0052-00	CHIP ANTENNA		1	
	CN527	EC720AT-0516A	FFC FPC CONNE		1	
	CN571	EA720AP-2005A	W TO B CONNE		1	
	CN572	EA720AX-1503A	W TO B CONNE		1	
	CN581	EB760AX-05C0B	B TO B CONNE		1	
	CN601	EC720AB-0570A	FFC FPC CONNE		1	
	F5901	FZA10BF-R50	FUSE (CC)		1	
△	VA5730	SDV1005H26//0	VARIISTOR		1	
	VA5731	SDV1005H26//0	VARIISTOR		1	
	VA5732	SDV1005H26//0	VARIISTOR		1	
	VA5733	SDV1005H26//0	VARIISTOR		1	
	VA6301	SDV1005H26//0	VARIISTOR		1	
	VA6302	SDV1005H26//0	VARIISTOR		1	
	VA6303	SDV1005H26//0	VARIISTOR		1	
	X5001	L7J-0138-00	QUARTZ CRYSTAL		1	
	X5401	L7J-0146-00	QUARTZ CRYSTAL		1	
	X5701	L7J-0156-00	QUARTZ CRYSTAL		1	
	X8001	L7H-0052-00	SPXO		1	
	DVD MECHA PWB ASSY (XJE-049W-00) <XJE>					
	C1	CK73JXR1H103K	C CAPACITOR	0.01uF 50V K	1	
	C2	CK73GXR1A106K	C CAPACITOR	10uF 10V K	1	
	C6	CK73FXR0J226M	C CAPACITOR	22uF 6.3V M	1	
	C7	CK73JXR1H103K	C CAPACITOR	0.01uF 50V K	1	
	C8	CK73JXR1H103K	C CAPACITOR	0.01uF 50V K	1	
	C10	CK73GXR1C475K	C CAPACITOR	4.7uF 16V K	1	
	C12	CK73GXR1A106K	C CAPACITOR	10uF 10V K	1	
	C13	CK73GXR1A106K	C CAPACITOR	10uF 10V K	1	

MODEL	MARK	MODEL	MARK
KW-V960BW	K0_A	KW-V960BW	K0_B

Safe	Symbol No.	Parts No.	Parts Name	Description	QTY	Local
C14		CK73JXR1C104K	C CAPACITOR	0.1uF 16V K	1	
C16		CK73JXR1C333K	C CAPACITOR	0.033uF 16V K	1	
C17		CK73JXR1C104K	C CAPACITOR	0.1uF 16V K	1	
C18		CC73JCH1H120J	C CAPACITOR	12pF 50V J	1	
C19		CK73JXR1C104K	C CAPACITOR	0.1uF 16V K	1	
C20		CK73JXR1C104K	C CAPACITOR	0.1uF 16V K	1	
C21		CK73JXR1C104K	C CAPACITOR	0.1uF 16V K	1	
C22		CK73JXR1C104K	C CAPACITOR	0.1uF 16V K	1	
C23		CC73JCH1H120J	C CAPACITOR	12pF 50V J	1	
C24		CK73HXR0J105K	C CAPACITOR	1uF 6.3V K	1	
C25		CK73HXR0J105K	C CAPACITOR	1uF 6.3V K	1	
C26		CK73JXR1H102K	C CAPACITOR	1000pF 50V K	1	
C28		CK73GXR1A106K	C CAPACITOR	10uF 10V K	1	
C29		CK73GXR1A106K	C CAPACITOR	10uF 10V K	1	
C31		CK73GXR1C475K	C CAPACITOR	4.7uF 16V K	1	
C33		CK73JXR1H682K	C CAPACITOR	6800pF 50V K	1	
C34		CK73JXR1H682K	C CAPACITOR	6800pF 50V K	1	
C35		CK73JXR1H681K	C CAPACITOR	680pF 50V K	1	
C36		CK73JXR1H471K	C CAPACITOR	470pF 50V K	1	
C37		CK73GXR1A106K	C CAPACITOR	10uF 10V K	1	
C38		CK73GXR1A106K	C CAPACITOR	10uF 10V K	1	
C45		CK73JXR1C104K	C CAPACITOR	0.1uF 16V K	1	
C47		CK73JXR1C104K	C CAPACITOR	0.1uF 16V K	1	
C48		CK73JXR1H222K	C CAPACITOR	2200pF 50V K	1	
C49		CK73JXR1C104K	C CAPACITOR	0.1uF 16V K	1	
C50		CK73JXR1H222K	C CAPACITOR	2200pF 50V K	1	
C51		CK73JXR1H472K	C CAPACITOR	4700pF 50V K	1	
C52		CK73JXR1H103K	C CAPACITOR	0.01uF 50V K	1	
C53		CK73JXR1H222K	C CAPACITOR	2200pF 50V K	1	
C55		CK73JXR1C104K	C CAPACITOR	0.1uF 16V K	1	
C56		CK73JXR1H222K	C CAPACITOR	2200pF 50V K	1	
C57		CK73JXR1H103K	C CAPACITOR	0.01uF 50V K	1	
C58		CK73JXR1H103K	C CAPACITOR	0.01uF 50V K	1	
C59		CK73JXR1C104K	C CAPACITOR	0.1uF 16V K	1	
C60		CK73JXR1C104K	C CAPACITOR	0.1uF 16V K	1	
C61		CK73JXR1C104K	C CAPACITOR	0.1uF 16V K	1	
C62		CK73JXR1C104K	C CAPACITOR	0.1uF 16V K	1	
C63		CK73JXR1C104K	C CAPACITOR	0.1uF 16V K	1	
C64		CK73JXR1C104K	C CAPACITOR	0.1uF 16V K	1	
C65		CK73JXR1C104K	C CAPACITOR	0.1uF 16V K	1	
C66		CK73JXR1C104K	C CAPACITOR	0.1uF 16V K	1	
C67		CK73JXR1C104K	C CAPACITOR	0.1uF 16V K	1	
C68		CK73JXR1H103K	C CAPACITOR	0.01uF 50V K	1	
C70		CK73HXR0J105K	C CAPACITOR	1uF 6.3V K	1	
C71		CK73JXR1C104K	C CAPACITOR	0.1uF 16V K	1	
C74		CK73JXR1C104K	C CAPACITOR	0.1uF 16V K	1	
C75		CK73JXR1H471K	C CAPACITOR	470pF 50V K	1	
C76		CK73FXR0J226M	C CAPACITOR	22uF 6.3V M	1	
C77		CK73JXR1C104K	C CAPACITOR	0.1uF 16V K	1	
C78		CK73GXR1C475K	C CAPACITOR	4.7uF 16V K	1	
C79		CK73HXR1H222K	C CAPACITOR	2200pF 50V K	1	
C80		CK73HXR1H222K	C CAPACITOR	2200pF 50V K	1	
C81		CK73HXR0J105K	C CAPACITOR	1uF 6.3V K	1	
C82		CK73HXR0J105K	C CAPACITOR	1uF 6.3V K	1	
C83		CK73HXR0J105K	C CAPACITOR	1uF 6.3V K	1	
C84		CK73GXR1A106K	C CAPACITOR	10uF 10V K	1	
C85		CK73JXR1C104K	C CAPACITOR	0.1uF 16V K	1	
C86		CK73JXR1C104K	C CAPACITOR	0.1uF 16V K	1	
C87		CK73JXR1C104K	C CAPACITOR	0.1uF 16V K	1	
C88		CK73JXR1C104K	C CAPACITOR	0.1uF 16V K	1	
C89		CK73JXR1C104K	C CAPACITOR	0.1uF 16V K	1	
C90		CK73JXR1C104K	C CAPACITOR	0.1uF 16V K	1	
C91		CK73JXR1C104K	C CAPACITOR	0.1uF 16V K	1	
C92		CK73JXR1C104K	C CAPACITOR	0.1uF 16V K	1	
C93		CK73JXR1C104K	C CAPACITOR	0.1uF 16V K	1	
C94		CK73FXR0J226M	C CAPACITOR	22uF 6.3V M	1	
C95		CK73FXR0J226M	C CAPACITOR	22uF 6.3V M	1	
C96		CK73FXR0J226M	C CAPACITOR	22uF 6.3V M	1	
C101		CK73FXR0J226M	C CAPACITOR	22uF 6.3V M	1	
C102		CK73FXR0J226M	C CAPACITOR	22uF 6.3V M	1	
C103		CK73HXR1H222K	C CAPACITOR	2200pF 50V K	1	
C104		CK73HXR1H222K	C CAPACITOR	2200pF 50V K	1	
C105		CC73JCH1H150J	C CAPACITOR	15pF 50V J	1	
C112		CK73JXR1C104K	C CAPACITOR	0.1uF 16V K	1	
C115		CK73HXR0J105K	C CAPACITOR	1uF 6.3V K	1	
C120		CK73JXR1C104K	C CAPACITOR	0.1uF 16V K	1	
C121		CK73JXR1C104K	C CAPACITOR	0.1uF 16V K	1	
C220		CK73FXR0J226M	C CAPACITOR	22uF 6.3V M	1	
CN1		EC720AA-0526A	FFC FPC CONNE		1	
CN4		EC720AA-0535A	FFC FPC CONNE		1	
CN5		EC720AA-0518A	FFC FPC CONNE		1	
CN9		EA720AX-1503A	W TO B CONNE		1	
D1		TAN1102W-22	INFRARED LED		1	
D4		TAN1102W-22	INFRARED LED		1	
D5		1SS355VM	DIODE		1	
IC1		AN41250A	ANALOG IC		1	
IC2		M12L1281686TN	DRAM IC		1	
IC3		WZZ-0079-00	PROGRAMMED IC		1	
IC4		MN2DS0041MD	ANALOG IC		1	
IC5		XC6223B121P-G	ANALOG IC		1	
IC6		XC6120N282N-G	MOS IC		1	
IC8		MM1663DTE	MOS IC		1	

MODEL	MARK	MODEL	MARK
KW-V960BW	K0_A	KW-V960BW	K0_B

Safe	Symbol No.	Parts No.	Parts Name	Description	QTY	Local
	Q1	RE1L002SN	FET		1	
	Q2	RE1L002SN	FET		1	
	Q3	LSCR523EBFS8	TRANSISTOR		1	
	Q4	2SB1709MG	TRANSISTOR		1	
	Q5	LSCR523EBFS8	TRANSISTOR		1	
	Q6	2SB1709MG	TRANSISTOR		1	
	Q11	LTA014TEBFS8	DIGI TRANSISTOR		1	
	Q12	LTA014TEBFS8	DIGI TRANSISTOR		1	
	Q13	VTPS1192HB	PHOT TRANSISTOR		1	
	Q14	VTPS1192HB	PHOT TRANSISTOR		1	
	R1	RK73HB1J561J	MG RESISTOR	560Ω 1/16W J	1	
	R2	RK73HB1J271J	MG RESISTOR	270Ω 1/16W J	1	
	R3	RK73HB1J301J	MG RESISTOR	300Ω 1/16W J	1	
	R4	RK73HB1J561J	MG RESISTOR	560Ω 1/16W J	1	
	R5	RK73HB1J163J	MG RESISTOR	16kΩ 1/16W J	1	
	R6	RK73HB1J103J	MG RESISTOR	10kΩ 1/16W J	1	
	R7	RK73HB1J103J	MG RESISTOR	10kΩ 1/16W J	1	
	R8	RK73HB1J103J	MG RESISTOR	10kΩ 1/16W J	1	
	R9	RK73HB1J333J	MG RESISTOR	33kΩ 1/16W J	1	
	R10	RK73HB1J103J	MG RESISTOR	10kΩ 1/16W J	1	
	R11	RK73HB1J103J	MG RESISTOR	10kΩ 1/16W J	1	
	R12	RK73HB1J103J	MG RESISTOR	10kΩ 1/16W J	1	
	R15	RK73HB1J102J	MG RESISTOR	1kΩ 1/16W J	1	
	R16	RK73HB1J102J	MG RESISTOR	1kΩ 1/16W J	1	
	R17	RK73HB1J105J	MG RESISTOR	1MΩ 1/16W J	1	
	R18	RK73HH1J303D	MG RESISTOR	30kΩ 1/16W D	1	
	R19	RK73HB1J223J	MG RESISTOR	22kΩ 1/16W J	1	
	R20	RK73HB1J471J	MG RESISTOR	470Ω 1/16W J	1	
	R22	RK73HB1J560J	MG RESISTOR	56Ω 1/16W J	1	
	R23	RK73HB1J2R2J	MG RESISTOR	2.2Ω 1/16W J	1	
	R25	RK73HB1J471J	MG RESISTOR	470Ω 1/16W J	1	
	R27	RK73HB1J471J	MG RESISTOR	470Ω 1/16W J	1	
	R29	RK73HB1J560J	MG RESISTOR	56Ω 1/16W J	1	
	R30	RK73HB1J2R2J	MG RESISTOR	2.2Ω 1/16W J	1	
	R31	RK73PB2H270J	MG RESISTOR	27Ω 1/2W J	1	
	R32	RK73HB1J203J	MG RESISTOR	20kΩ 1/16W J	1	
	R33	RK73HB1J333J	MG RESISTOR	33kΩ 1/16W J	1	
	R34	RK73HB1J471J	MG RESISTOR	470Ω 1/16W J	1	
	R35	RK73PB2H270J	MG RESISTOR	27Ω 1/2W J	1	
	R51	RK73HB1J223J	MG RESISTOR	22kΩ 1/16W J	1	
	R52	RK73HB1J223J	MG RESISTOR	22kΩ 1/16W J	1	
	R53	RK73P0CMR27J	MG RESISTOR	0.27Ω J	1	
	R54	RK73HB1J103J	MG RESISTOR	10kΩ 1/16W J	1	
	R55	RK73HB1J101J	MG RESISTOR	100Ω 1/16W J	1	
	R56	RK73HB1J103J	MG RESISTOR	10kΩ 1/16W J	1	
	R57	RK73HB1J103J	MG RESISTOR	10kΩ 1/16W J	1	
	R58	RK73HB1J103J	MG RESISTOR	10kΩ 1/16W J	1	
	R59	RK73HB1J103J	MG RESISTOR	10kΩ 1/16W J	1	
	R60	RK73HB1J821J	MG RESISTOR	820Ω 1/16W J	1	
	R61	RK73HB1J242J	MG RESISTOR	2.4kΩ 1/16W J	1	
	R62	RK73HB1J103J	MG RESISTOR	10kΩ 1/16W J	1	
	R63	RK73HB1J332J	MG RESISTOR	3.3kΩ 1/16W J	1	
	R64	RK73HB1J102J	MG RESISTOR	1kΩ 1/16W J	1	
	R65	RK73HB1J102J	MG RESISTOR	1kΩ 1/16W J	1	
	R66	RK73HB1J102J	MG RESISTOR	1kΩ 1/16W J	1	
	R69	RK73HB1J102J	MG RESISTOR	1kΩ 1/16W J	1	
	R70	RK73HB1J102J	MG RESISTOR	1kΩ 1/16W J	1	
	R73	RK73HB1J472J	MG RESISTOR	4.7kΩ 1/16W J	1	
	R74	RK73HB1J4R7J	MG RESISTOR	4.7Ω 1/16W J	1	
	R76	RK73HB1J472J	MG RESISTOR	4.7kΩ 1/16W J	1	
	R77	RK73HB1J4R7J	MG RESISTOR	4.7Ω 1/16W J	1	
	R78	RK73HB1J221J	MG RESISTOR	220Ω 1/16W J	1	
	R79	RK73HB1J221J	MG RESISTOR	220Ω 1/16W J	1	
	R80	RK73HB1J103J	MG RESISTOR	10kΩ 1/16W J	1	
	R81	RK73HB1J103J	MG RESISTOR	10kΩ 1/16W J	1	
	R82	RK73HB1J102J	MG RESISTOR	1kΩ 1/16W J	1	
	R86	RK73HB1J102J	MG RESISTOR	1kΩ 1/16W J	1	
	R92	RK73HB1J103J	MG RESISTOR	10kΩ 1/16W J	1	
	R95	RK73HB1J470J	MG RESISTOR	47Ω 1/16W J	1	
	R96	RK73HB1J103J	MG RESISTOR	10kΩ 1/16W J	1	
	R105	RK73HB1J101J	MG RESISTOR	100Ω 1/16W J	1	
	R106	RK73HB1J103J	MG RESISTOR	10kΩ 1/16W J	1	
	R107	RK73HB1J221J	MG RESISTOR	220Ω 1/16W J	1	
	R108	RK73HB1J221J	MG RESISTOR	220Ω 1/16W J	1	
	R113	RK73HB1J470J	MG RESISTOR	47Ω 1/16W J	1	
	R114	RK73HH1J5901D	MG RESISTOR	5900Ω 1/16W D	1	
	R119	RK73HB1J102J	MG RESISTOR	1kΩ 1/16W J	1	
	R120	RK73HB1J472J	MG RESISTOR	4.7kΩ 1/16W J	1	
	R121	RK73HB1J242J	MG RESISTOR	2.4kΩ 1/16W J	1	
	R122	RK73HB1J163J	MG RESISTOR	16kΩ 1/16W J	1	
	R123	RK73HB1J333J	MG RESISTOR	33kΩ 1/16W J	1	
	S1	S6D-0001-00	LEVER SWITCH		1	
	TH1	TH05-3H103F	N THERMISTOR		1	
	X1	L7J-0017-00	QUARTZ CRYSTAL		1	