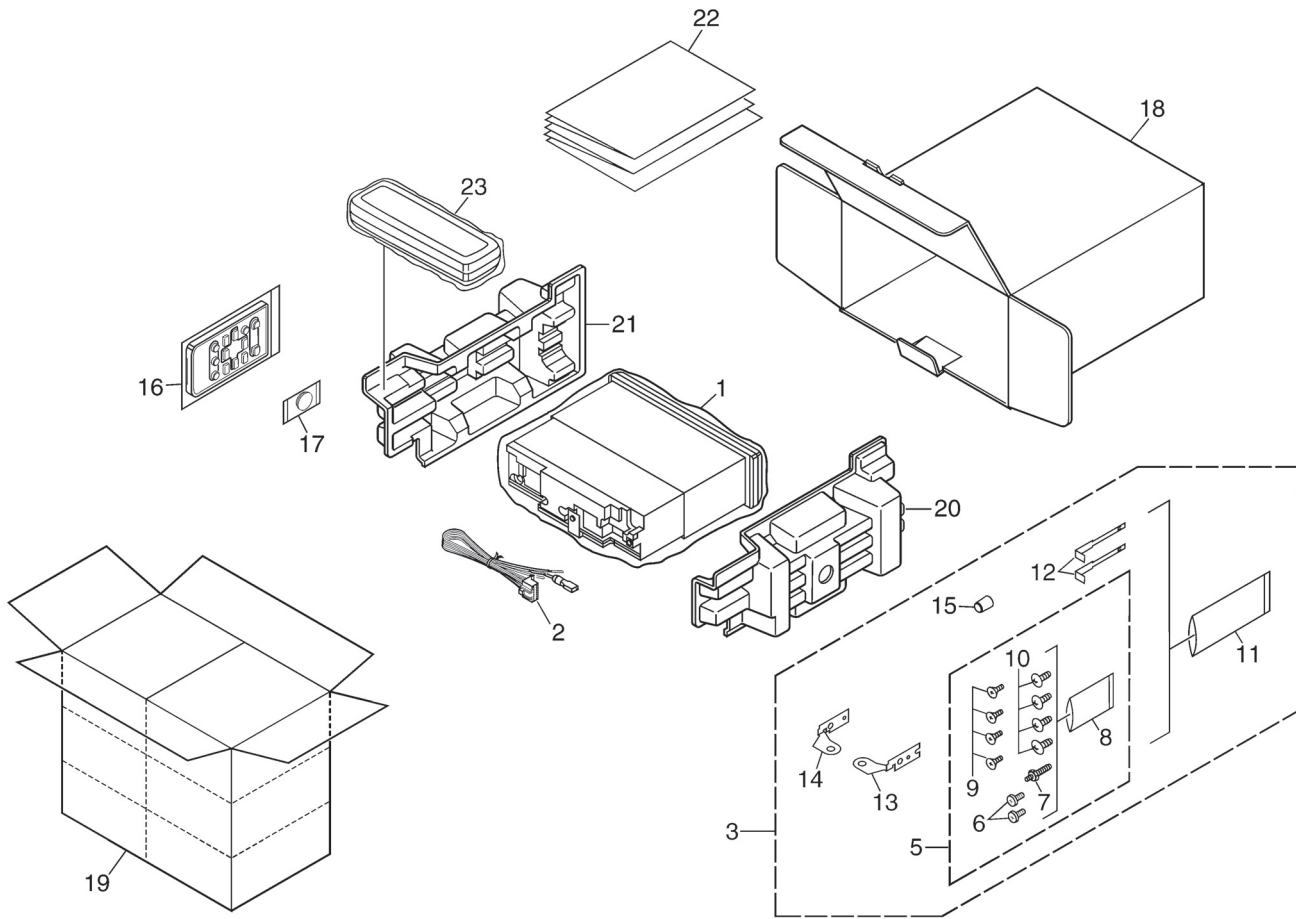


2. EXPLODED VIEWS AND PARTS LIST

NOTES : • Parts marked by "*" are generally unavailable because they are not in our Master Spare Parts List.
• The \triangle mark found on some component parts indicates the importance of the safety factor of the part. Therefore, when replacing, be sure to use parts of identical designation.
• Screw adjacent to ∇ mark on the product are used for disassembly.
• For the applying amount of lubricants or glue, follow the instructions in this manual.
(In the case of no amount instructions, apply as you think it appropriate.)

2.1 PACKING



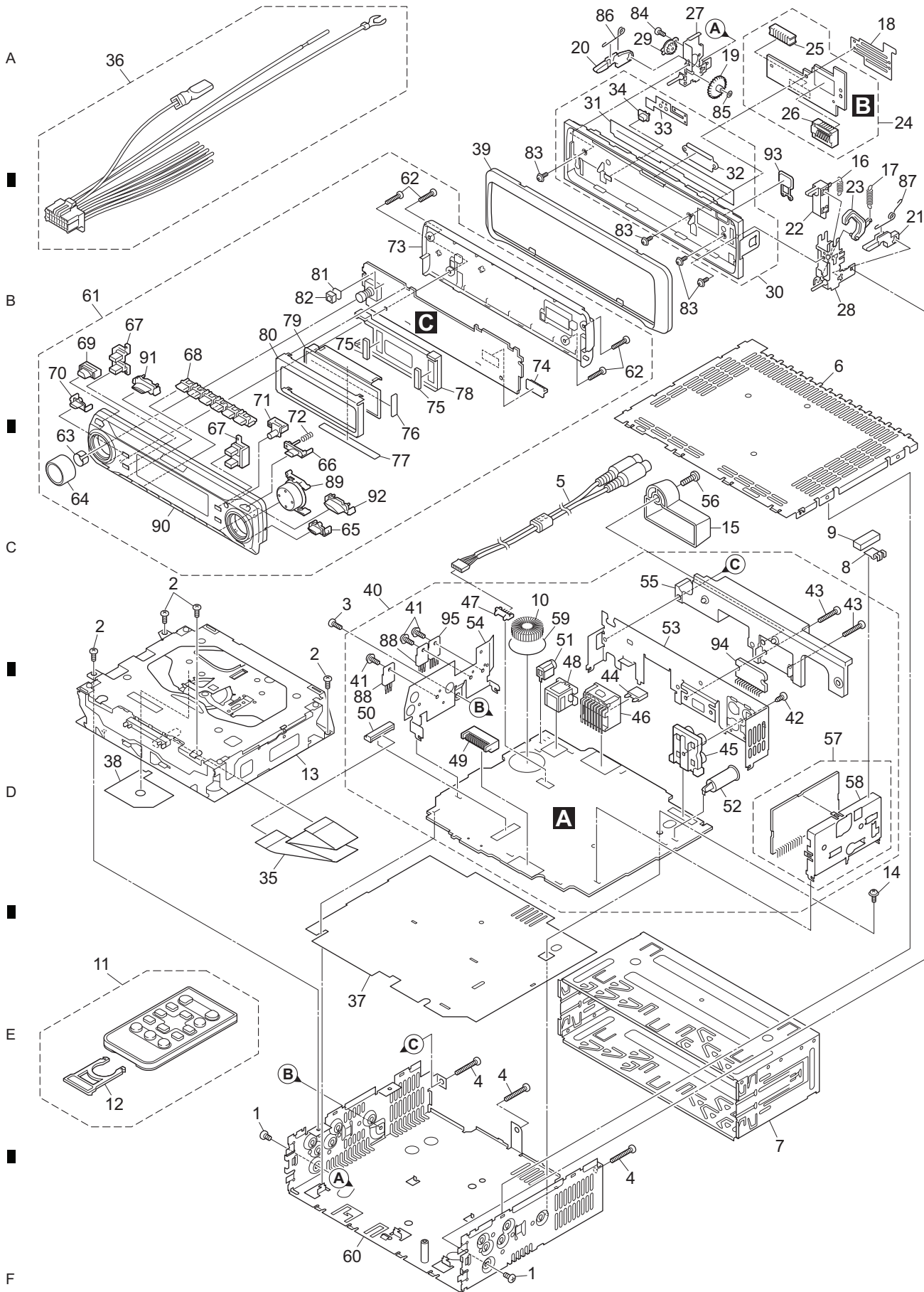
PACKING SECTION PARTS LIST

Mark	No.	Description	DEH-P670MP/XN/UC	DEH-P6700MP/XN/UC	DEH-P6750MP/XN/ES
	1	Polyethylene Bag	CEG1173	CEG1173	CEG-162
	2	Cord Assy	XDE7007	XDE7007	XDE7007
	3	Accessory Assy	CEA4993	CEA4993	CEA4850
	4			
	5	Screw Assy	CEA3848	CEA3848	CEA3849
	6	Fixing Screw	BPZ20P060FZK	BPZ20P060FZK	Not used
	7	Screw	CBA1650	CBA1650	CBA1650
*	8	Polyethylene Bag	CEG-127	CEG-127	CEG-127
	9	Screw	CRZ50P090FTC	CRZ50P090FTC	CRZ50P090FTC
	10	Screw	TRZ50P080FTC	TRZ50P080FTC	TRZ50P080FTC
*	11	Polyethylene Bag	CEG-158	CEG-158	CEG-158
	12	Handle	CNC5395	CNC5395	CNC5395
	13	Holder	CND1249	CND1249	Not used
	14	Holder	CND1250	CND1250	Not used
	15	Bush	CNV3930	CNV3930	CNV3930
*	16	Remote Control Unit	CXC3173	CXC3173	CXC3173
	17	Battery	CEX1065	CEX1065	CEX1065
	18	Carton	XHG7079	XHG7078	XHG7076
	19	Contain Box	XHL7079	XHL7078	XHL7076
	20	Protector	XHP7003	XHP7003	XHP7003
	21	Protector	XHP7004	XHP7004	XHP7004
	22-1	Owner's Manual	XRD7074	XRD7065	XRD7067
	22-2	Owner's Manual	Not used	Not used	XRD7068
	22-3	Installation Manual	XRD7075	XRD7066	XRD7069
*	22-4	Warranty Card	CRY1070	Not used	Not used
*	22-5	Card	Not used	ARY1048	Not used
*	22-6	Caution Card	CRP1207	CRP1207	CRP1207
*	22-7	Caution Card	Not used	CRP1294	CRP1216
	22-8	Caution Card	CRP1310	CRP1310	CRP1310
	23	Case Assy	CXB3520	Not used	CXB3520

Owner's Manual,Installation Manual

Part No.	Language
XRD7074, XRD7075, XRD7065, XRD7066	English,French,Spanish
XRD7067	English,Spanish,Portuguese(B)
XRD7068	Arabic,Traditional Chinese
XRD7069	English,Spanish,Portuguese(B),Arabic,Traditional Chinese

2.2 EXTERIOR



EXTERIOR SECTION PARTS LIST

Mark No.	Description	Part No.	Mark No.	Description	Part No.
1	Screw	BMZ30P040FZK	50	Connector(CN651)	CKS3837
2	Screw	BSZ26P060FTC			
3	Screw	BSZ30P060FTC	51	Connector(CN161)	See Contrast table(2)
4	Screw	BSZ30P200FTC	52	Antenna Jack(CN401)	CKX1056
5	Cord Assy	See Contrast table(2)	53	Holder	See Contrast table(2)
			54	Holder	CND1352
6	Case	CNB2793	55	Heat Sink	CNR1668
7	Holder	CNC8659			
8	Earth Plate	CNC8915	56	Screw	See Contrast table(2)
9	Cushion	CNM8890	57	FM/AM Tuner Unit	CWE1646
10	Choke Coil(L301)	CTH1280	58	Holder	CND1054
			59	Insulator	XNM7031
11	Remote Control Unit	CXC3173	60	Chassis Unit	CXB9528
12	Cover	CNS7068			
13	CD Mechanism Module(S10.1AAC)	CXK5663	61	Detachable Assy	See Contrast table(2)
14	Screw	ISS26P055FTC	62	Screw	BPZ20P100FZK
15	Holder	See Contrast table(2)	63	Spring	CBL1470
			64	Knob	XAA7021
16	Spring	CBH2652	65	Button(SW)	XAC7064
17	Spring	CBH2653			
18	Holder	CND1254	66	Button(OPEN)	XAC7065
19	Gear	CNV5997	67	Button(FUNC,AUDIO)	XAC7072
20	Arm	CNV7400	68	Button(1-6)	See Contrast table(2)
			69	Button(CLK)	XAC7062
21	Arm	CNV7401	70	Button(EQ)	XAC7090
22	Arm	CNV7402			
23	Arm	CNV7403	71	Button(E)	XAC7094
24	Panel Unit	CWM8758	72	Spring	XBH7001
25	Socket(CN1950)	CKS3550	73	Cover	XNS7087
			74	Connector(CN1901)	CKS4524
26	Connector(CN1951)	CKS4806	75	Cushion	CNM6633
27	Holder Unit	CXB9501			
28	Holder Unit	CXB9502	76	Spacer	CNM7697
29	Damper Unit	CXB9503	77	Spacer	CNM7698
30	Sub Panel Unit	XXA7361	78	Holder	CNV6910
			79	OEL Unit	MXS8221
31	Cover	CNM6854	80	Holder	XNC7006
32	Lighting Conductor	CNV6487			
33	Spring	CBL1512	81	Cushion	XNM7049
34	Pin	CNV6486	82	IC(IC1901)	GP1UX30RX
35	Cable	XDE7002	83	Screw(M2x4.5)	CBA1647
			84	Screw(M2x4)	CBA1649
36	Cord Assy	XDE7007	85	Washer	CBF1038
37	Insulator	XNM7100			
38	Insulator	XNM7106	86	Spring	CBH2650
39	Panel	See Contrast table(2)	87	Spring	CBH2651
40	Tuner Amp Unit	See Contrast table(2)	88	Transistor(Q651,Q911)	2SD2396
			89	Sub Button Assy	XXA7310
41	Screw	ASZ26P060FTC	90	Sub Grille Assy	See Contrast table(2)
42	Screw	BPZ26P080FTC			
43	Screw	BSZ26P160FTC	91	Button Unit(SRC)	XXA7367
⚠ 44	Fuse(10A)	CEK1208	92	Button Unit(BAND)	XXA7368
45	Pin Jack(CN352)	CKB1051	93	Button(EJECT)	CAC7752
			94	IC(IC301)	PAL007A
46	Plug(CN901)	CKM1376	95	IC(IC910)	NJM2388F84
47	Plug(CN351)	See Contrast table(2)			
48	Connector(CN101)	CKS3408			
49	Plug(CN801)	CKS3537			

(2) CONTRAST TABLE

DEH-P670MP/XN/UC , DEH-P6700MP/XN/UC and DEH-P6750MP/XN/ES are constructed the same except for the following:

Mark	No.	Description	DEH-P670MP/XN/UC	DEH-P6700MP/XN/UC	DEH-P6750MP/XN/ES
A	5	Cord Assy	CDE7129	Not used	Not used
	15	Holder	Not used	CNV7619	Not used
	39	Panel	XNS7088	XNS7089	XNS7088
	40	Tuner Amp Unit	XWM7096	XWM7097	XWM7098
	47	Plug(CN351)	CKS1238	Not used	Not used
	51	Connector(CN161)	CKS4124	CKS4124	Not used
	53	Holder	CND1270	XNC7003	CND1477
	56	Screw	Not used	BMZ40P140FTC	Not used
	61	Detachable Assy	XXA7349	XXA7348	XXA7346
	68	Button	XAC7070	XAC7076	XAC7070
B	90	Sub Grille Assy	XXA7353	XXA7352	XXA7350

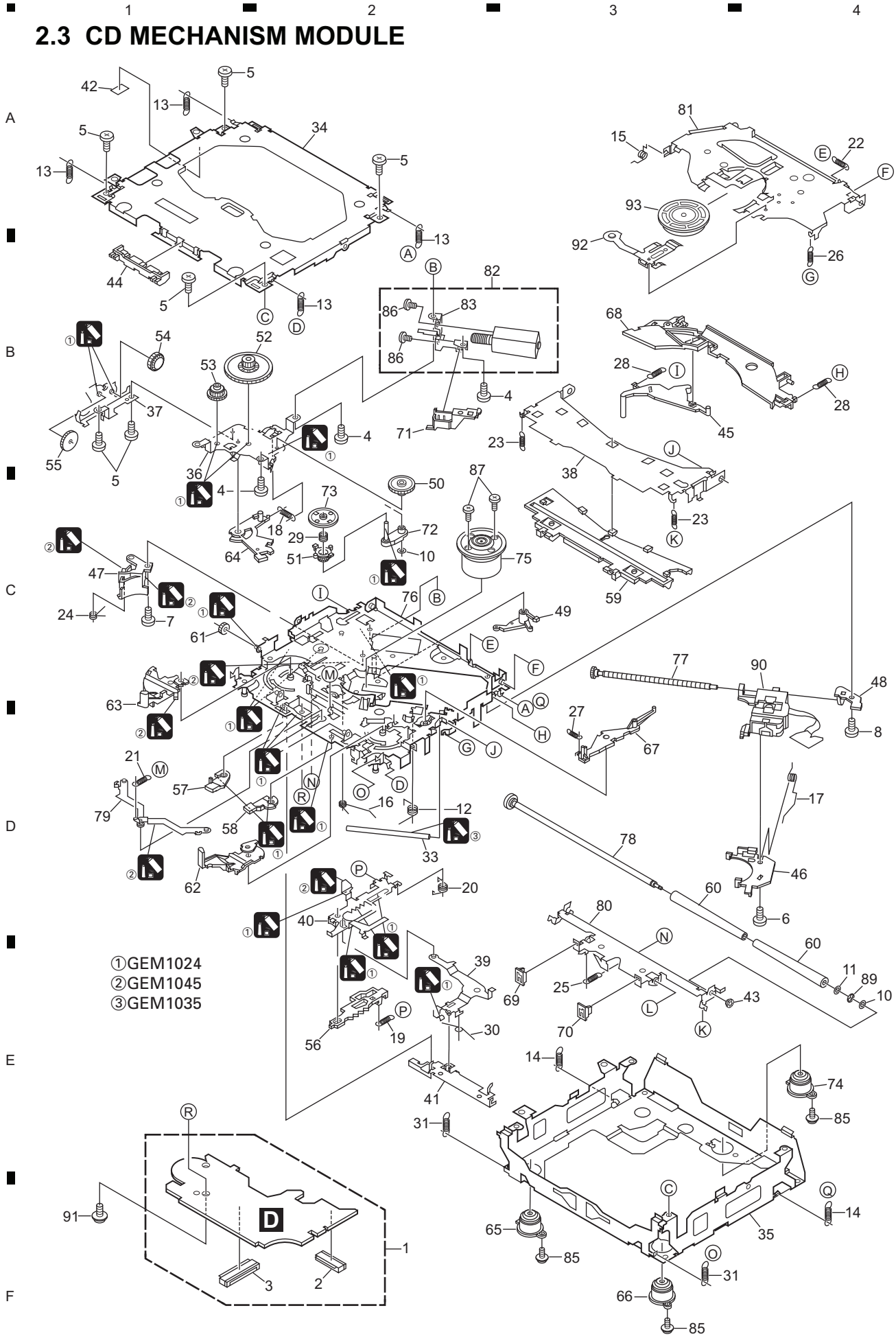
C

D

E

F

2.3 CD MECHANISM MODULE



- ① GEM1024
- ② GEM1045
- ③ GEM1035

CD MECHANISM SECTION PARTS LIST

<u>Mark No.</u>	<u>Description</u>	<u>Part No.</u>	<u>Mark No.</u>	<u>Description</u>	<u>Part No.</u>
1	CD Core Unit(S10.1)	CWX3096	50	Gear	CNV8379
2	Connector(CN101)	CKS4182			
3	Connector(CN901)	CKS4017	51	Gear	CNV8380
4	Screw	BMZ20P035FTC	52	Gear	CNV8381
5	Screw	BSZ20P040FTC	53	Gear	CNV8382
			54	Gear	CNV8383
			55	Gear	CNV8384
6	Screw(M2x4)	CBA1362			
7	Screw(M2x3)	CBA1824			
8	Screw(M2x3)	CBA1825	56	Rack	CNV8385
9		57	Arm	CNV8386
10	Washer	CBF1038	58	Arm	CNV8387
			59	Guide	CNV8388
			60	Roller	CNV7218
11	Washer	CBF1060			
12	Spring	CBH2390			
13	Spring	CBH2606	61	Gear	CNV8389
14	Spring	CBH2607	62	Arm	CNV8391
15	Spring	CBH2608	63	Arm	CNV8390
			64	Arm	CNV8392
16	Spring	CBH2609	65	Damper	CNV7313
17	Spring	CBH2610			
18	Spring	CBH2735	66	Damper	CNV7314
19	Spring	CBH2612	67	Arm	CNV8394
20	Spring	CBH2613	68	Arm	CNV8395
			69	Guide	CNV8396
21	Spring	CBH2614	70	Guide	CNV8397
22	Spring	CBH2615			
23	Spring	CBH2616	71	Holder	CNV8398
24	Spring	CBH2617	72	Arm	CNV8402
25	Spring	CBH2620	73	Gear	CNV8400
			74	Damper	CNV7618
26	Spring	CBH2621	75	Motor Unit(M1)	CXC4440
27	Spring	CBH2641			
28	Spring	CBH2642	76	Chassis Unit	CXC2318
29	Spring	CBH2643	77	Screw Unit	CXB8729
30	Spring	CBH2659	78	Gear Unit	CXC2397
			79	Arm Unit	CXC2316
31	Spring	CBH2688	80	Arm	CND1896
32				
33	Shaft	CLA4441	81	Arm	CND1894
34	Frame	CNC9962	82	Motor Unit(M2)	CXB8933
35	Frame	CNC9963	83	Bracket	CNC9985
			84	
36	Bracket	CND2712	85	Screw(M2x5)	EBA1028
37	Bracket	CND1895			
38	Arm	CNC9968	86	Screw	JFZ20P020FTC
39	Arm	CND1909	87	Screw	JGZ17P022FTC
40	Lever	CND2032	88	
			89	Washer	YE20FTC
41	Lever	CNC9984	90	Pickup Unit(P10)(Service)	CXX1641
42	Sheet	CNM8134			
43	Collar	CNV7798	91	Screw	IMS26P030FTC
44	Guide	CNV7799	92	Spring	CBL1635
45	Arm	CNV8403	93	Clamper	CNV8372
46	Rack	CNV8374			
47	Holder	CNV8376			
48	Holder	CNV8377			
49	Arm	CNV8378			

5. ELECTRICAL PARTS LIST

NOTE:

- Parts whose parts numbers are omitted are subject to being not supplied.
- The part numbers shown below indicate chip components.

Chip Resistor

RS1/○S○○○○J,RS1/○○S○○○○J

Chip Capacitor (except for CQS.....)

CKS....., CCS....., CSZS.....

- The \triangle mark found on some component parts indicates the importance of the safety factor of the part. Therefore, when replacing, be sure to use parts of identical designation.

Circuit Symbol and No.

Part No.

Circuit Symbol and No.

Part No.

A

Unit Number: XWM7096(P670MP)

Unit Number: XWM7097(P6700MP)

Unit Number: XWM7098(P6750MP)

Unit Name: Tuner Amp Unit

MISCELLANEOUS

IC 101	(A,76,82) IC	HA12240FP
IC 131	(A,112,107) IC	NJM4558MD
IC 201	(A,122,85) IC	PML009A
IC 301	(A,91,132) IC	PAL007A
IC 401	(A,147,28) IC	NJM2391DL1-33

IC 601	(A,106,54) IC	PEG057A
IC 602	(A,59,56) IC	S-80835CNUA-B8U
IC 801	(A,99,36) IC	TC7SET08FUS1
IC 851	(B,42,25) IC	NJM2360M
IC 910	(A,5,119) IC	NJM2388F84

Q 101	(B,44,101) Transistor	2SA1576
Q 102	(B,26,110) Transistor	DTC114EU
Q 301	(A,42,81) Transistor	DTC124EU
Q 351	(B,57,104) Transistor(P670MP)	UMH3N
Q 352	(B,132,123) Transistor	UMH3N

Q 353	(B,141,125) Transistor	UMH3N
Q 650	(B,38,50) Transistor	2SA1577
Q 651	(A,5,66) Transistor	2SD2396
Q 652	(B,34,56) Transistor	UMD2N
Q 653	(B,38,41) Transistor	DTC114EU

Q 803	(A,44,35) Transistor	2SD1767
Q 804	(B,42,35) Transistor	UMD2N
Q 805	(B,97,21) Transistor	DTC143EU
Q 807	(B,127,27) Transistor	2SA1576
Q 808	(B,126,34) Transistor	DTC114EU

Q 851	(A,18,29) Transistor	2SD1760F5
Q 852	(B,22,33) Transistor	UMD2N
Q 911	(A,5,100) Transistor	2SD2396
Q 913	(B,30,69) Transistor	UMD2N
Q 931	(A,61,78) Transistor	UMX1N

Q 932	(B,78,86) Transistor	DTC114EU
Q 951	(A,95,74) Transistor	2SA1576
Q 981	(B,29,84) Transistor	2SC4081
Q 982	(A,44,70) Transistor	UMD2N
D 131	(A,118,113) Diode Network	DA204U

D 132	(A,132,62) Diode Network	DA204U
D 133	(A,138,60) Diode	DAN202U
D 301	(A,68,113) Diode	S5688G
D 302	(A,64,116) Diode	S5688G
D 303	(A,88,98) Diode	S5688G
D 304	(A,83,98) Diode	S5688G
D 403	(A,143,51) Diode	S5688G
D 651	(A,11,65) Diode	HZS7L(C3)
D 803	(A,106,22) Diode Network	DA204U
D 804	(A,113,24) Diode	DAN202U
D 805	(A,122,20) Diode	DAP202U
D 806	(A,122,24) Diode	DAN202U
D 807	(A,113,20) Diode	DAP202U
D 808	(A,50,28) Diode	HZS11L(A1)
D 851	(A,31,27) Diode	HZS11L(A1)
D 852	(B,40,19) Diode	RB411D
D 911	(A,35,72) Diode	S5688G
D 912	(A,13,82) Diode	HZS6L(B1)
D 931	(A,51,77) Diode	HZS7L(A1)
D 932	(A,46,73) Diode	HZS7L(C3)
D 937	(B,73,88) Diode	MA111
D 951	(A,88,80) Diode	DAN202U
D 981	(A,39,83) Diode	DAN202U
D 982	(A,24,85) Diode	HZS9L(A2)
L 101	(A,85,75) Inductor	LAU2R2K
L 201	(A,123,112) Ferri-Inductor	LAU4R7K
L 301	(A,30,106) Choke Coil 600μH	CTH1280
L 401	(B,154,97) Inductor	LCTAW4R7J2520
L 403	(A,145,103) Inductor	LAU1R0K
L 404	(A,151,54) Inductor	LAU1R0K
L 405	(A,154,64) Inductor	LAUR47K
L 406	(A,128,39) Inductor	CTF1385
L 601	(A,81,64) Ferri-Inductor	LAU100K
L 683	(A,81,53) Ferri-Inductor	LAU100K
L 802	(B,99,43) Inductor	CTF1382
L 852	(A,41,24) Inductor	CTF1510
L 951	(A,90,84) Inductor	LAU2R2K
X 601	(A,87,64) Radiator 10.00MHz	CSS1599
S 802	(A,21,8) Switch(DETACH SENSE)	CSN1039
\triangle FU351	(A,43,92) Fuse 3A(670MP)	CEK1286
\triangle FU353	(B,122,136) Fuse 3A	CEK1286
BZ641	(A,55,11) Buzzer	CPV1062
AR401	(A,159,119) Surge Protector	DSP-201M-S00B
\triangle	FM/AM Tuner Unit	CWE1646
\triangle	Fuse 10A	CEK1208

RESISTORS

<u>Circuit Symbol and No.</u>		<u>Part No.</u>	<u>Circuit Symbol and No.</u>		<u>Part No.</u>
R 101	(B,36,134)	RS1/16S101J	R 602	(B,101,56) (P6700MP)	RS1/16S104J
R 102	(B,35,132)	RS1/16S620J	R 603	(B,114,60) (P670MP,P6700MP)	RS1/16S104J
R 103	(B,37,127)	RS1/16S101J	R 604	(B,114,57) (P6750MP)	RS1/16S104J
R 104	(B,40,104)	RS1/16S222J	R 606	(B,101,58)	RS1/16S104J
R 105	(A,76,77)	RS1/16S102J	R 607	(B,57,54)	RS1/16S822J
R 106	(B,44,104)	RS1/16S472J	R 608	(A,85,28)	RS1/16S221J
R 107	(B,47,103)	RS1/16S223J	R 609	(B,83,24)	RS1/16S221J
R 108	(A,89,73)	RS1/16S472J	R 610	(B,85,24)	RS1/16S682J
R 109	(B,24,127)	RS1/16S821J	R 611	(A,86,25)	RS1/16S682J
R 110	(B,28,118)	RS1/16S821J	R 612	(A,65,52)	RS1/16S104J
R 111	(A,57,111)	RS1/16S223J	R 613	(B,93,50)	RS1/16S102J
R 112	(B,26,118)	RS1/16S223J	R 616	(A,94,53)	RS1/16S473J
R 113	(A,59,111)	RS1/16S102J	R 617	(B,63,55)	RS1/16S102J
R 114	(B,24,118)	RS1/16S102J	R 618	(A,102,67) (P6750MP)	RS1/16S104J
R 115	(A,87,74)	RS1/16S472J	R 619	(A,143,57)	RS1/16S0R0J
R 133	(A,112,112)	RS1/16S563J	R 630	(A,92,77)	RS1/16S104J
R 134	(A,106,108)	RS1/16S104J	R 632	(A,134,53)	RS1/16S104J
R 139	(A,108,112)	RS1/16S563J	R 641	(B,84,15)	RS1/16S102J
R 140	(A,118,106)	RS1/16S104J	R 645	(B,35,47)	RS1/16S103J
R 147	(A,125,115)	RS1/16S474J	R 651	(A,16,68)	RD1/4PU221J
R 148	(A,138,63)	RS1/16S474J	R 652	(A,16,60)	RD1/4PU271J
R 161	(A,19,134) (P670MP,P6700MP)	RS1/16S102J	R 656	(B,62,44)	RS1/16S102J
R 162	(B,7,131) (P670MP,P6700MP)	RS1/16S102J	R 657	(B,58,41)	RS1/16S102J
R 163	(A,19,132) (P670MP,P6700MP)	RS1/16S103J	R 665	(A,11,62)	RD1/4PU0R0J
R 164	(A,19,130) (P670MP,P6700MP)	RS1/16S103J	R 676	(B,78,41)	RS1/16S102J
R 165	(A,72,67) (P6750MP)	RS1/16S103J	R 677	(B,48,44)	RS1/16S104J
R 201	(A,118,64)	RAB4C102J	R 678	(A,64,46)	RS1/16S102J
R 241	(B,99,78)	RS1/16S102J	R 680	(B,63,31)	RS1/16S222J
R 242	(B,127,89)	RS1/16S102J	R 681	(B,78,45)	RS1/16S104J
R 247	(B,116,86)	RS1/16S471J	R 686	(B,35,42)	RS1/16S182J
R 248	(B,137,82)	RS1/16S471J	R 689	(A,75,51)	RS1/16S0R0J
R 249	(A,115,76)	RS1/16S471J	R 802	(B,120,33)	RS1/16S222J
R 250	(B,124,80)	RS1/16S471J	R 803	(B,60,24)	RS1/16S472J
R 301	(A,49,74)	RS1/16S103J	R 804	(B,63,17)	RS1/16S1R0J
R 302	(A,42,85)	RS1/16S103J	R 805	(B,45,32)	RS1/16S391J
R 303	(A,104,111)	RS1/16S153J	R 806	(B,40,32)	RS1/16S391J
R 304	(A,52,74)	RS1/16S331J	R 807	(A,99,21)	RS1/16S473J
R 351	(B,51,90) (P670MP)	RS1/16S471J	R 808	(A,99,22)	RS1/16S473J
R 352	(B,60,90) (P670MP)	RS1/16S471J	R 809	(A,24,16)	RS1/16S102J
R 353	(B,137,122)	RS1/16S471J	R 810	(B,123,21)	RS1/16S222J
R 354	(B,127,123)	RS1/16S471J	R 811	(B,121,21)	RS1/16S222J
R 355	(B,143,114)	RS1/16S821J	R 812	(B,114,23)	RS1/16S222J
R 356	(B,144,131)	RS1/16S821J	R 813	(B,112,23)	RS1/16S222J
R 357	(B,48,91) (P670MP)	RS1/16S223J	R 814	(B,106,21)	RS1/16S222J
R 358	(B,61,104) (P670MP)	RS1/16S223J	R 815	(A,116,24)	RS1/16S473J
R 359	(B,135,126)	RS1/16S223J	R 816	(A,105,35)	RS1/16S104J
R 360	(B,125,127)	RS1/16S223J	R 817	(A,54,33)	RD1/4PU391J
R 361	(B,160,129)	RS1/16S223J	R 818	(A,12,25)	RS1/16S104J
R 362	(B,157,127)	RS1/16S223J	R 819	(B,102,27)	RS1/16S222J
R 403	(B,157,89)	RS1/16S681J	R 820	(B,99,25)	RS1/16S222J
R 405	(B,157,87)	RS1/16S681J	R 823	(B,133,29)	RS1/16S102J
R 406	(B,157,85)	RS1/16S681J	R 824	(B,133,26)	RS1/16S473J
R 407	(B,157,83)	RS1/16S681J	R 825	(B,112,31)	RS1/16S102J
R 408	(B,157,81)	RS1/16S681J	R 826	(B,112,29)	RS1/16S102J
R 410	(B,157,62)	RS1/16S681J	R 827	(B,113,27)	RS1/16S102J
R 416	(B,97,57)	RS1/16S681J	R 828	(B,105,30)	RS1/16S102J
R 417	(B,113,50)	RS1/16S681J	R 851	(B,16,32)	RS1/16S331J
R 419	(B,125,53)	RS1/16S681J	R 852	(A,48,20)	RD1/4PU302J
R 421	(B,125,51)	RS1/16S681J	R 853	(A,48,22)	RD1/4PU302J
R 601	(B,108,59) (P670MP,P6750MP)	RS1/16S104J	R 854	(B,45,19)	RS1/16S121J

Circuit Symbol and No.**Part No.****Circuit Symbol and No.****Part No.**

R 855	(B,35,26)	RS1/16S391J			
R 856	(B,35,20)	RS1/16S1R0J	C 218	(A,136,73)	CEJQ4R7M35
R 857	(B,18,30)	RS1/16S331J	C 219	(B,116,84)	CCSRCH120J50
A R 859	(B,30,33)	RS1/16S0R0J	C 220	(B,130,83)	CCSRCH120J50
			C 221	(A,115,78)	CCSRCH120J50
R 903	(B,34,80)	RS1/16S223J	C 222	(B,127,83)	CCSRCH120J50
R 909	(B,34,92)	RS1/16S103J			
R 910	(B,30,93)	RS1/16S102J	C 225	(A,129,75)	CEJQ100M16
R 912	(B,27,67)	RS1/16S222J	C 241	(B,96,80)	CKSRYB152K50
R 913	(B,15,85)	RS1/16S223J	C 242	(B,129,89)	CKSRYB152K50
			C 306	(A,96,99)	CEJQ330M10
R 914	(A,63,71)	RS1/16S104J	C 307	(A,49,121) 3300µF/16V	CCH1486
R 915	(A,62,69)	RS1/16S104J			
R 916	(A,109,73)	RS1/16S104J	C 309	(B,46,123)	CKSRYB104K16
R 917	(A,13,94)	RD1/4PU391J	C 310	(A,112,118)	CEJQ100M16
B R 931	(B,59,77)	RS1/16S472J	C 311	(B,85,136)	CKSYB225K16
			C 317	(B,101,125)	CKSRYB474K10
R 932	(A,55,73)	RS1/16S473J	C 318	(B,101,129)	CKSRYB474K10
R 933	(A,57,73)	RS1/16S103J			
R 934	(A,63,73)	RS1/16S473J	C 321	(A,109,125)	CKSRYB474K10
R 935	(A,64,76)	RS1/16S104J	C 322	(A,106,125)	CKSRYB474K10
R 936	(B,76,89)	RS1/16S103J	C 323	(A,120,130)	CKSRYB474K10
			C 324	(A,120,133)	CKSRYB474K10
R 938	(A,75,92)	RD1/4PU102J	C 325	(A,122,132)	CKSQYB225K10
R 939	(A,56,81)	RD1/4PU102J			
R 951	(A,79,92)	RD1/4PU153J	C 326	(A,122,128)	CKSQYB225K10
R 952	(A,92,79)	RS1/16S472J	C 327	(B,121,125)	CKSRYB474K10
R 953	(A,92,74)	RS1/16S472J	C 328	(B,121,128)	CKSRYB474K10
			C 351	(A,48,87) (P670MP)	CEJQ4R7M35
C R 954	(A,95,77)	RS1/16S102J	C 352	(A,55,87) (P670MP)	CEJQ4R7M35
R 983	(B,26,81)	RS1/16S683J			
R 984	(B,23,88)	RS1/16S683J	C 353	(A,138,117)	CEJQ4R7M35
R 985	(B,49,76)	RS1/16S102J	C 354	(A,129,117)	CEJQ4R7M35
			C 355	(A,143,110)	CEJQ4R7M35
			C 356	(A,142,117)	CEJQ4R7M35
			C 363	(B,43,81) (P670MP)	CKSRYB104K16

CAPACITORS

C 101	(B,30,135)	CKSRYB104K16			
C 102	(A,78,86)	CKSRYB473K25	C 401	(B,144,100)	CKSRYB103K50
C 103	(B,36,136)	CKSRYB102K50	C 402	(A,146,95)	CEJQ101M16
C 104	(B,21,114)	CKSRYB102K50	C 406	(A,149,42)	CEJQ470M10
C 131	(A,108,114)	CKSRYB104K16	C 408	(B,141,32)	CKSYB475K16
			C 409	(A,140,36)	CEJQ1R0M50
D C 132	(A,106,112)	CKSRYB104K16			
C 141	(A,116,112)	CKSRYB104K16	C 411	(B,162,72)	CCSRCH101J50
C 142	(A,120,109)	CKSRYB103K50	C 412	(B,103,52)	CCSRCH101J50
C 143	(A,123,115)	CKSRYB474K10	C 601	(A,71,56)	CEJQ4R7M35
C 144	(A,136,63)	CKSRYB474K10	C 602	(B,79,59)	CKSQYB105K10
			C 603	(A,50,59)	CEJQ2R2M50
C 145	(A,121,115)	CCSRCH101J50			
C 146	(A,135,63)	CCSRCH101J50	C 604	(B,89,58)	CCSRCH200J50
C 147	(A,113,114)	CKSRYB104K16	C 605	(B,89,61)	CCSRCH200J50
C 201	(A,102,88)	CEJQ1R0M50	C 609	(B,77,59)	CCSRCH101J50
C 202	(A,102,82)	CEJQ1R0M50	C 647	(B,66,52)	CKSRYB683K16
			C 651	(A,13,54)	CEJQ101M16
E C 203	(B,145,86)	CKSRYB104K16			
C 204	(B,145,84)	CKSRYB104K16	C 652	(B,14,70)	CKSRYB473K25
C 205	(B,121,91)	CKSRYB105K10	C 654	(B,57,45)	CKSRYB152K50
C 206	(A,130,106)	CEJQ470M16	C 655	(B,58,43)	CKSRYB152K50
C 207	(A,127,101)	CEJQ1R0M50	C 657	(B,76,18)	CCSRCH470J50
			C 658	(A,62,37)	CEAT471M16
C 208	(A,131,112)	CEJQ1R0M50			
C 209	(A,120,101)	CEJQ1R0M50	C 662	(A,73,51)	CCSRCH471J50
C 210	(A,133,99)	CEJQ1R0M50	C 755	(B,117,80)	CKSRYB104K16
C 211	(A,108,88)	CEJQ4R7M35	C 805	(A,102,36)	CKSRYB473K25
C 212	(A,135,91)	CEJQ4R7M35	C 806	(B,46,36)	CKSRYB473K25
			C 807	(B,57,29)	CKSRYB473K25
C 213	(A,106,82)	CEJQ4R7M35			
F C 214	(A,135,85)	CEJQ4R7M35	C 811	(B,121,28)	CKSRYB105K10
C 215	(A,106,76)	CEJQ4R7M35	C 851	(A,26,25)	CEJQ470M16
C 216	(A,135,80)	CEJQ4R7M35	C 856	(B,43,29)	CCSRCH331J50
C 217	(A,114,73)	CEJQ4R7M35	C 857	(A,43,14)	CEJQ470M25
			C 858	(B,26,31)	CKSRYB104K16

Circuit Symbol and No.**Part No.**

C 859	(A,29,15)	CEJQ101M16
C 860	(B,27,17)	CKSRYB104K16
C 861	(B,52,17)	CKSRYB223K50
C 911	(A,24,69) 470µF/16V	CCH1331
C 912	(B,31,72)	CKSRYB472K50
C 913	(B,12,78)	CKSRYB103K50
C 914	(A,15,76)	CEJQ470M10
C 921	(A,22,78)	CEJQ221M10
C 922	(B,10,112)	CKSRYB103K50
C 923	(A,13,116)	CEJQ101M16
C 930	(B,14,114)	CKSRYB103K50
C 931	(A,83,88)	CEJQ1R0M50
C 932	(B,63,77)	CKSRYB104K16

B

Unit Number:CWM8758
Unit Name:Panel Unit

MISCELLANEOUS

D 1970	LED	CL220PGC
S 1970	Push Switch(EJECT)	CSG1112

RESISTORS

R 1970	RS1/16S101J
R 1971	RS1/16S101J
R 1972	RS1/16S0R0J

CAPACITORS

C 1970	CKSRYB104K16
--------	--------------

C

Unit Number:
Unit Name:Keyboard Unit

MISCELLANEOUS

IC 1901	(A,6,26) IC	GP1UX30RK
IC 1902	(B,13,117) IC	S-818A33AUC-BGN
IC 1940	(B,27,63) IC	PEG090A
IC 1990	(B,27,97) IC(P670MP)	PD8142A
IC 1990	(B,27,97) IC(P670MP,P6750MP)	PD8141A
Q 1960	(B,11,33) Transistor	2SC4617
Q 1961	(B,17,38) Transistor	2SC2411K
D 1905	(A,39,16) LED	CL-195PG-CD
D 1906	(A,4,8) LED	CL-195PG-CD
D 1911	(A,15,27) LED	CL-195PG-CD
D 1912	(A,38,134) LED	CL-195PG-CD
D 1914	(A,4,156) LED	CL-195PG-CD
D 1918	(A,39,150) LED	CL-195PG-CD
D 1920	(A,38,32) LED	CL-195PG-CD
D 1921	(A,33,18) LED	CL-195PG-CD
D 1923	(A,22,3) LED	CL-195PG-CD
D 1924	(A,7,13) LED	CL-195PG-CD
D 1940	(B,28,43) Diode	1SS355
L 1901	(A,15,105) Inductor	CTF1530
L 1940	(B,25,111) Inductor	CTF1530
TH1960	(B,9,36) Thermistor	CCX1037

Circuit Symbol and No.**Part No.**

X 1940	(B,27,49) Radiator 10.0MHz	CSS1577
S 1901	(A,20,15) Push Switch	XSD7002
S 1902	(A,25,36) Push Switch	CSG1174
S 1903	(A,38,75) Push Switch	CSG1174
S 1904	(A,18,36) Push Switch	CSG1174
S 1905	(A,7,8) Push Switch	CSG1155
S 1906	(A,36,15) Push Switch	CSG1155
S 1907	(A,38,91) Push Switch	CSG1174
S 1908	(A,38,67) Push Switch	CSG1174
S 1909	(A,38,52) Push Switch	CSG1174
S 1910	(A,38,37) Push Switch	CSG1174
S 1911	(A,38,129) Push Switch	CSG1174
S 1912	(A,38,114) Push Switch	CSG1174
S 1913	(A,38,99) Push Switch	CSG1174
S 1914	(A,11,137) Push Switch	CSG1174
S 1915	(A,36,151) Push Switch	CSG1155
S 1916	(A,18,130) Push Switch	CSG1174
S 1917	(A,25,130) Push Switch	CSG1174
S 1918	(A,12,151) Switch	CSG1107
S 1919	(A,28,151) Switch	CSG1107
S 1921	(A,20,159) Switch	CSG1107
S 1922	(A,20,143) Switch	CSG1107
VR1970	(B,15,108) Semi-fixed 15kΩ(B)	CCP1230
VR1971	(B,15,102) Semi-fixed 15kΩ(B)	CCP1230
	OEL UNIT	MXS8221

RESISTORS

R 1901	(B,5,143)	RS1/16S222J
R 1902	(B,6,140)	RS1/16S222J
R 1903	(A,20,120)	RS1/16S473J
R 1909	(B,22,155)	RS1/16S470J
R 1911	(B,38,29)	RS1/16S103J
R 1912	(B,8,138)	RS1/16S682J
R 1913	(A,5,40)	RS1/16S101J
R 1914	(B,15,25)	RS1/16S103J
R 1915	(A,8,39)	RS1/16S2R2J
R 1916	(A,28,26)	RS1/16S470J
R 1917	(B,32,155)	RS1/16S820J
R 1918	(B,32,157)	RS1/16S101J
R 1920	(B,29,115)	RS1/16S560J
R 1924	(B,31,7)	RS1/16S390J
R 1928	(B,31,9)	RS1/16S390J
R 1940	(B,19,118)	RS1/16S222J
R 1941	(B,37,112)	RS1/16S101J
R 1942	(A,29,55)	RAB4C101J
R 1943	(A,27,101)	RAB4C101J
R 1945	(A,23,102)	RAB4C101J
R 1947	(A,27,73)	RAB4C101J
R 1948	(A,22,73)	RAB4C101J
R 1949	(B,28,78)	RAB4C101J
R 1950	(B,23,78)	RAB4C101J
R 1952	(A,24,113)	RS1/16S101J
R 1953	(A,19,66)	RS1/16S473J
R 1954	(A,19,62)	RAB4C473J
R 1955	(A,18,69)	RS1/16S473J
R 1956	(B,10,55)	RS1/16S103J
R 1957	(B,21,49)	RAB4C101J
R 1958	(B,24,42)	RS1/16S473J
R 1959	(B,29,40)	RS1/16S154J
R 1960	(B,9,33)	RS1/16S333J

Circuit Symbol and No.**Part No.****Circuit Symbol and No.****Part No.**

R 1961 (B,11,36) RS1/16S683J
R 1962 (B,18,42) RS1/16S392J

L 209 (A,26,20) Inductor CTF1389

A R 1963 (B,13,39) RS1/16S393J
R 1967 (B,11,155) RS1/16S560J
R 1980 (B,37,54) RS1/16S473J
R 1991 (B,27,86) RS1/16S101J
R 1992 (A,22,80) RS1/16S101J

L 703 (A,64,49) Inductor CTF1389
X 201 (A,51,35) Ceramic Resonator 16.934MHzCSS1603
X 701 (A,59,53) Ceramic Resonator 4.00MHzCSS1652
S 901 (A,15,43) Switch(HOME) CSN1067
S 903 (B,53,100) Switch(DSCSNS) CSN1068

S 904 (B,35,108) Switch(12EJ) CSN1067
S 905 (B,48,109) Switch(8EJ) CSN1067

R 1993 (B,24,84) RS1/16S101J
R 1994 (B,15,66) RS1/16S101J
R 1995 (B,32,41) RS1/16S473J
R 1996 (A,16,97) RS1/16S222J
R 1997 (B,18,106) RS1/16S222J

RESISTORS

R 101 (A,22,24) RS1/10SR2R4J
R 102 (A,22,26) RS1/10SR2R4J
R 103 (A,25,25) RS1/10SR2R7J
R 201 (A,53,16) RS1/16SS102J
R 202 (A,55,21) RS1/16SS333J

B R 1998 (A,19,57) RS1/16S102J
R 1999 (B,17,51) RS1/16S102J
R 2104 (B,37,76) RS1/16S101J
R 2105 (B,36,73) RS1/16S101J
R 2106 (B,35,77) RS1/16S101J

R 221 (B,31,18) RS1/16SS103J
R 222 (B,26,18) RS1/16SS103J
R 225 (A,27,8) RS1/16SS103J
R 226 (A,27,7) RS1/16SS393J
R 227 (B,33,10) RS1/16SS562J

R 2107 (B,33,76) RS1/16S101J
R 2108 (B,35,108) RS1/16S101J
R 2109 (B,33,79) RS1/16S101J
R 2110 (B,33,81) RS1/16S101J
R 2111 (B,32,84) RS1/16S101J

R 228 (B,36,8) RS1/16SS122J
R 229 (B,34,8) RS1/16SS472J
R 232 (B,35,10) RS1/16SS122J
R 241 (B,42,28) RS1/16SS333J
R 243 (B,44,28) RS1/16SS333J

R 2112 (B,12,64) RS1/16S102J
R 2113 (B,15,55) RS1/16S102J
C R 2114 (B,14,69) RS1/16S102J
R 2115 (B,16,53) RS1/16S102J

R 245 (A,39,38) RS1/16SS333J
R 301 (A,48,78) RS1/16SS183J
R 302 (A,42,78) RS1/16SS822J
R 304 (A,50,78) RS1/16SS183J
R 305 (A,42,77) RS1/16SS822J

CAPACITORS

C 1908 (B,7,20) CKSYF106Z10
C 1909 (A,14,114) CSZSR4R7M16
C 1910 (A,14,119) CSZSR4R7M10
C 1940 (B,24,115) CKSRYB103K50
C 1941 (B,30,52) CKSRYB104K16

R 307 (A,36,85) RS1/16SS183J
R 308 (A,32,83) RS1/16SS183J
R 309 (A,38,89) RS1/16SS183J
R 310 (A,35,88) RS1/16SS183J
R 601 (B,43,59) RS1/16S101J

C 1942 (B,38,57) CKSRYB105K10
C 1943 (B,28,74) CKSRYB103K50
D C 1944 (B,33,111) CSZSR4R7M10
C 1972 (A,16,42) CKSRYB104K16
C 1973 (B,15,97) CKSRYB104K25

R 602 (B,41,62) RS1/16S101J
R 606 (B,44,67) RS1/16S0R0J
R 607 (B,43,56) RS1/16SS0R0J
R 608 (B,36,67) RS1/16SS0R0J
R 705 (B,50,59) RS1/16SS221J

C 1974 (B,15,99) CKSRYB104K25
C 1975 (A,16,89) CKSRYB104K25
C 1976 (A,15,56) CKSRYB104K25
C 1990 (B,29,109) CKSRYB103K50
C 1991 (B,15,44) CKSRYB104K25

R 706 (B,57,61) RS1/16SS221J
R 707 (A,62,47) RS1/16SS473J
R 708 (B,50,57) RS1/16SS221J
R 710 (A,28,77) RS1/16SS102J
R 711 (B,44,53) RS1/16SS221J

C 1992 (B,22,85) CKSRYB104K16

R 714 (B,51,53) RS1/16SS473J
R 716 (A,63,56) RS1/16SS472J
R 719 (B,49,45) RS1/16SS221J
R 720 (B,46,52) RS1/16SS471J
R 724 (A,62,42) RS1/16S473J

D**Unit Number: CWX3096****Unit Name: CD Core Unit(S10.1)****MISCELLANEOUS**

IC 201 (A,39,24) IC UPD63763GJ
IC 203 (B,45,78) IC NJM2885DL1-33
IC 301 (A,49,88) IC BA5835FP
IC 701 (A,48,51) IC PE5454A
IC 703 (A,30,44) IC S-812C33AUA-C2N

R 725 (B,57,43) RS1/16SS222J
R 726 (A,52,41) RS1/16SS103J
R 727 (B,50,54) RS1/16SS473J
R 729 (A,57,40) RS1/16SS223J
R 730 (A,65,41) RS1/16SS473J

F Q 101 (A,20,22) Transistor 2SA1577
Q 701 (B,62,59) Transistor UN2111
L 203 (A,53,32) Inductor CTF1389
L 207 (A,53,31) Inductor CTF1389

R 731 (A,53,41) RS1/16SS104J
R 737 (A,41,42) RS1/16SS104J
R 740 (A,35,46) RS1/16SS473J
R 742 (A,50,41) RS1/16SS104J

<u>Circuit Symbol and No.</u>	<u>Part No.</u>	<u>Circuit Symbol and No.</u>	<u>Part No.</u>
R 746 (B,60,56)	RS1/16SS104J	C 602 (B,41,65)	CCSRCH102J50
R 750 (A,39,59)	RS1/16SS473J	C 701 (A,64,46)	CKSSYB104K10
R 754 (B,48,60)	RS1/16SS102J	C 703 (B,50,61)	CKSSYB103K16
R 755 (A,43,61)	RS1/16SS102J	C 706 (B,50,62)	CKSSYB104K10
R 765 (B,51,40)	RAB4CQ221J	C 707 (A,36,45)	CKSSYB104K10
R 769 (B,48,40)	RAB4CQ221J	C 712 (A,22,42)	CKSRYB224K16
R 773 (B,39,37)	RAB4CQ221J	C 714 (B,60,45)	CKSSYB104K10
R 777 (B,48,51)	RS1/16SS221J	C 716 (A,61,40)	CKSSYB103K16
R 778 (B,48,52)	RS1/16SS221J	C 722 (B,52,48)	CKSQYB475K6R3
R 779 (B,45,54)	RS1/16SS221J	C 723 (A,26,41)	CKSRYB105K10
R 901 (B,52,65)	RAB4CQ221J	C 903 (B,56,70)	CKSSYB471K50
R 905 (B,54,60)	RS1/16SS221J	C 906 (A,40,77)	CKSRYB224K16
R 906 (B,56,68)	RS1/16SS221J	C 907 (A,47,76)	CKSSYB103K16
R 908 (B,45,69)	RS1/16SS0R0J	C 910 (B,60,71)	CKSQYB225K10
R 910 (B,44,69)	RS1/16SS0R0J		
R 911 (B,40,73)	RS1/16SS102J		

CAPACITORS

C 103 (B,14,8) 100µF/16V	CCH1504
C 105 (A,19,15)	CKSSYB104K10
C 108 (B,39,16)	CKSSYB104K10
C 110 (A,18,6)	CKSSYB104K10
C 201 (A,51,14)	CKSSYB102K50
C 202 (B,50,17)	CKSSYB104K10
C 203 (A,55,23)	CKSSYB104K10
C 204 (B,28,22)	CEVW220M6R3
C 205 (A,53,25)	CKSSYB104K10
C 208 (B,44,25)	CKSSYB104K10
C 209 (A,54,29)	CKSSYB104K10
C 212 (A,45,37)	CKSRYB105K10
C 216 (A,25,8)	CKSSYB332K50
C 217 (A,28,12)	CKSSYB104K10
C 218 (A,25,7)	CKSSYB473K10
C 219 (A,34,7)	CKSSYB104K10
C 220 (A,33,11)	CKSSYB182K50
C 221 (B,35,6)	CKSSYB104K10
C 222 (B,35,8)	CCSSCH560J50
C 223 (B,33,8)	CCSSCH4R0C50
C 224 (B,40,16)	CKSSYB104K10
C 225 (B,45,14)	CKSSYB103K16
C 226 (B,43,12)	CCSSCH680J50
C 227 (A,45,10)	CCSSCH470J50
C 228 (A,49,9)	CKSSYB103K16
C 234 (B,36,81)	CEVW221M4
C 237 (B,38,29)	CKSSYB104K10
C 239 (B,34,10)	CCSSCH220J50
C 242 (B,58,32)	CKSSYB104K10
C 243 (B,39,76)	CKSSYB104K10
C 244 (B,49,70)	CKSSYB104K10
C 246 (A,23,19)	CKSSYB104K10
C 251 (B,28,31)	CKSRYB102K50
C 260 (A,54,25)	CKSSYB104K10
C 301 (A,43,78)	CKSSYB221K50
C 302 (A,50,79)	CKSSYB221K50
C 303 (A,37,85)	CKSSYB472K25
C 304 (A,39,89)	CKSSYB103K16
C 305 (B,34,92)	CEVW101M16
C 307 (B,56,90)	CKSSYB104K10
C 601 (B,46,60)	CCSRCH102J50

Miscellaneous Parts List

M 1	Pickup Unit(P10)(Service)	CXX1641
M 2	Motor Unit(SPINDLE)	CXC4440
	Motor Unit(LOADING/CARRIAGE)	CXB8933