

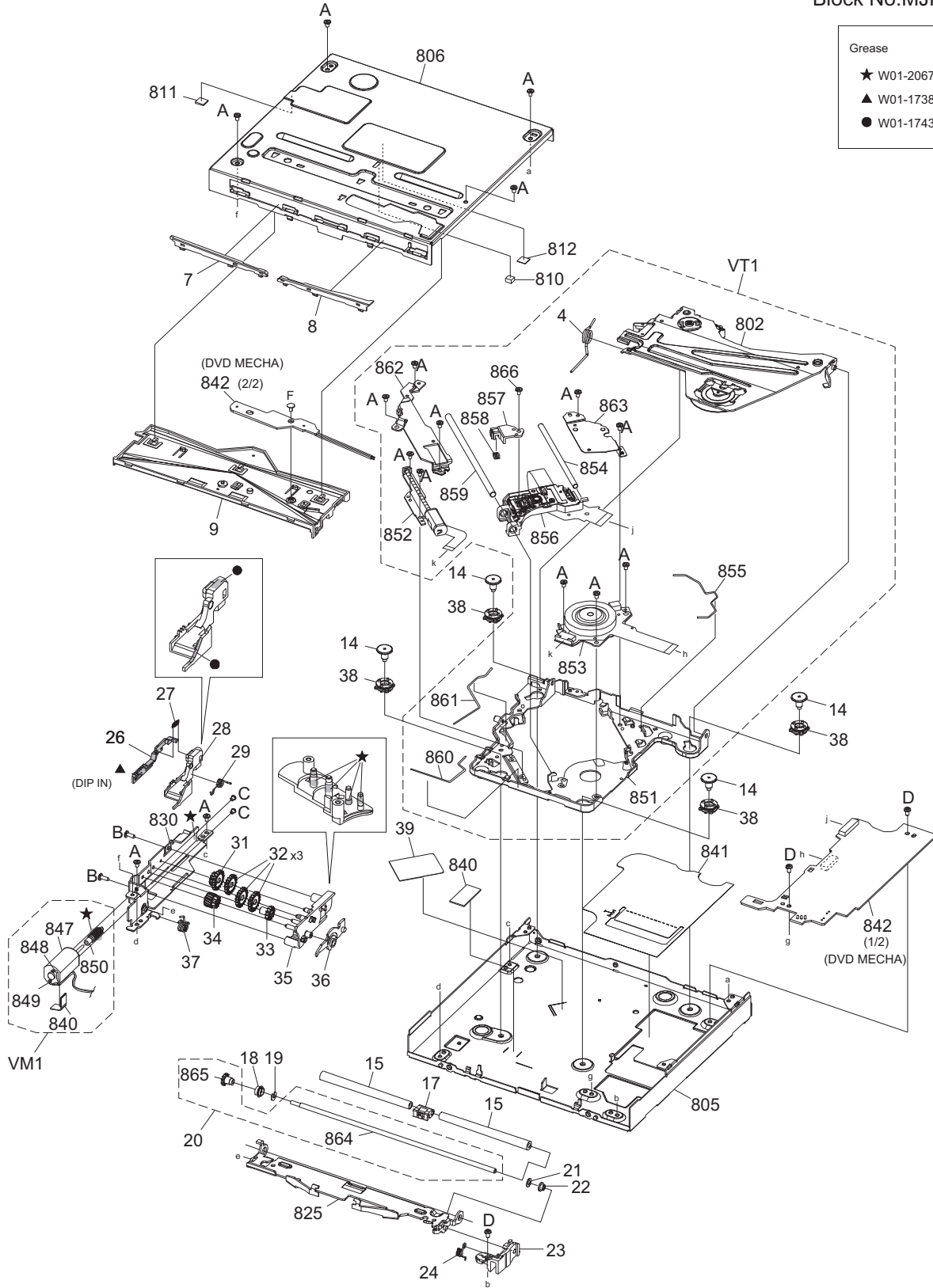
MODEL	MARK	MODEL	MARK
DDX6706S	K1	DDX6906S	K0

Safe	Symbol No.	Parts No.	Parts Name	Description	QTY	Local
EXPLODED VIEW (UNIT) <M1MM>						
△	DC1	E3A-0214-00	DC CORD		1	
	DGB1	CB-XJA069K00N	DIGITAL IO PWB ASSY	XJA-069K-00	1	
	TUB1	XJH-189K-01	TUNER PWB ASSY	XJM-016K-01	1	
△	F1	FZB10AU-150	BLADE FUSE	15A	1	
	FC1	E3F-0111-00	FLAT CABLE		1	
	FC2	E3G-0060-00	FFC WIRE		1	
	FC3	EF0AF051003AC	FFC WIRE		1	
	FC4	EF0AD0560X4BC	FFC WIRE		1	
	FC5	EF0AD0550X4BC	FFC WIRE		1	
	LCD1	B3H-0085-00	LCD ASSY		1	
	PA1	A6C-0076-0C	PANEL		1	K1
	PA1	A6C-0076-0B	PANEL		1	K0
	TP1	W0C-0299-00	TOUCH PANEL		1	
	VME1	FD2-3A00NXN	DVD MECHA MODUL		1	
	WH1	E3F-0116-00	WIRING HARNESS		1	
	WH2	E3K-0438-10	WIRING HARNESS		1	
	A	LV45522-001A	SPECIAL SCREW		2	
	B	QYNTS2600ZA	NUT	M2.6	2	
	C	LV45701-003A	SPECIAL SCREW		6	
	D	QYSDST2005ZA	TAP SCREW	M2 x 5mm	3	
	E	QYSDST2606ZA	TAP SCREW	M2.6 x 6mm	44	
	F	QYSPSG3008ZA	TAP SCREW	M3 x 8mm	3	
	G	QYSDST2610ZA	TAP SCREW	M2.6 x 10mm	2	
	H	VKZ4539-054	MINI SCREW		2	
	J	QYSPST2614ZA	TAP SCREW	M2.6 x 14mm	2	
	K	QYSDSF2608ZA	TAP SCREW	M2.6 x 8mm	1	
	L	NOZ-0200-00	SPECIAL SCREW		4	
	M	VKZ4777-012	SCREW		6	
	N	LV45552-003A	SPECIAL SCREW		4	
	217	E3A-0568-00	USB CORD		1	
	218	E3A-0405-00	CORD W.CON.		1	
	221	F0K-0264-00	FAN		1	
	222	LV46006-002A	COOLING RUBBER		1	
	224	G1B-0071-0G	CUSHION		2	
	225	G1G-0055-05	SHEET		1	
	230	F2K-0012-00	INS.COVER		3	
	232	F0G-0282-00	J.COVER(USB)		1	
	251	K2K-0269-00	KEY TOP		1	
	252	K2A-0054-00	KNOB		1	
	253	K2K-0270-01	KEY TOP		1	
	254	K2K-0271-00	KEY TOP		1	
	255	K2K-0272-00	KEY TOP		1	
	256	F1K-0087-00	BLIND PLATE		1	
	257	K2K-0267-10	KNOB BASE		1	
	258	K2K-0268-10	KNOB BASE		1	
	259	B1K-0090-00	LIGHTING BOARD		1	
	260	J9A-0020-00	GUIDE		1	
	266	LV40847-064A	SPACER(H)		1	
	267	T6A-0062-00	PLASTIC LENS		1	
	357	T9B-0066-00	MICROPHONE		1	
	358	QYSSSP5008ZA	SCREW	M5 x 8mm	6	
	359	QYSTSP5008ZA	SCREW	M5 x 8mm	6	
	360	B9H-0007-00	ESCUTCHEON		1	
	361	D1A-0007-00	LEVER		2	
	362	J2C-0006-00	MOUNTING ASSY		1	
	501	B5K-0635-00	SUB-INST.MANUAL		1	
	502	B5K-0606-00	GUIDE BOOK		1	
	701	-----	MAIN PWB ASSY	NO SERVICE PART	1	
	702	-----	AUDIO PWB ASSY	NO SERVICE PART	1	K1
	702	-----	AUDIO PWB ASSY	NO SERVICE PART	1	K0
	703	-----	VIDEO PWB ASSY	NO SERVICE PART	1	
	711	-----	CHASSIS	NO SERVICE PART	1	
	712	-----	SUB CHASSIS	NO SERVICE PART	1	
	713	-----	SIDE PLATE	NO SERVICE PART	1	
	714	-----	SIDE PLATE	NO SERVICE PART	1	
	715	-----	TOP PLATE	NO SERVICE PART	1	
	719	-----	HEAT SINK	NO SERVICE PART	1	
	723	-----	CUSHION	NO SERVICE PART	1	
	726	-----	BRACKET	NO SERVICE PART	1	
	727	-----	BRACKET	NO SERVICE PART	1	
	728	-----	BRACKET	NO SERVICE PART	1	
	729	-----	BRACKET	NO SERVICE PART	1	
	731	-----	SPACER(H)	NO SERVICE PART	1	
	733	-----	REAR PANEL	NO SERVICE PART	1	
	761	-----	INS.SHEET	NO SERVICE PART	1	
	762	-----	CONDUCT CUSHION	NO SERVICE PART	4	
	763	-----	BRACKET	NO SERVICE PART	1	
	764	-----	CONDUCT CUSHION	NO SERVICE PART	2	

EXPLODED VIEW (DVD MECHANISM: FD2-3A00NXN)

Block No.MJMM

Grease	
★	W01-2067-08
▲	W01-1738-08
●	W01-1743-08



Parts with the exploded numbers larger than 800 are not supplied.

MODEL	MARK	MODEL	MARK
DDX6706S	K1	DDX6906S	K0

Safe	Symbol No.	Parts No.	Parts Name	Description	QTY	Local
------	------------	-----------	------------	-------------	-----	-------

EXPLODED VIEW (DVD MECHANISM: FD2-3A00NXN) <MJMM>

VM1	CM-FD2-ALM	LOADING M ASSY			1	
VT1	CM-FD2-ATM2	TM ASSY			1	
A	LV44959-002A	SPECIAL SCREW			16	
B	LV45727-001A	GEAR SCREW			2	
C	QYSPSPU1425MA	SCREW	M1.4 x 2.5mm		2	
D	VKZ4539-054	MINI SCREW			3	
F	LV44586-001A	SPECIAL SCREW			1	
4	LV45709-002A	CLAMP SPRING			1	
7	LV23006-002A	GUIDE 2 L			1	
8	LV23007-002A	GUIDE 2 R			1	
9	LV11842-005A	DISC GUIDE			1	
14	LV45704-001A	DAMPER SHAFT			4	
15	LV45724-001A	RUBBER ROLLER			2	
17	LV37652-002A	SHAFT GUIDE			1	
18	LV39938-002A	GEAR RETAINER			1	
19	LV45730-001A	ROLLER C WASHER			1	
20	CM-FD2-AROS	RO SHAFT ASSY			1	
21	LV45731-001A	ROLLER WASHER			1	
22	LV45718-002A	ROLLER RETAINER			1	
23	LV23003-002A	ROLLER HOLDER			1	
24	LV45982-001A	ROLLER SPG R2			1	
26	LV39932-003A	TRIGGER SLIDER			1	
27	LV45715-001A	TRIGGER SPRING			1	
28	LV23004-005A	SLIDER			1	
29	LV39935-003A	SLIDER SPRING			1	
31	LV39929-001A	DRIVE GEAR 4			1	
32	LV39928-001A	DRIVE GEAR 3			3	
33	LV39927-001A	DRIVE GEAR 2			1	
34	LV39926-001A	DRIVE GEAR 1			1	
35	LV23005-002A	GEAR HOLDER			1	
36	LV39923-003A	UD LEVER			1	
37	LV45983-001A	ROLLER SPG L2			1	
38	LV39934-001A	DAMPER			4	
39	LV45719-001A	PU FPC SHEET			1	
802	-----	CLAMP ARM ASSY	NO SERVICE PART		1	
805	-----	BOTTOM CHASSIS	NO SERVICE PART		1	
806	-----	TOP CHASSIS	NO SERVICE PART		1	
810	-----	CLAMPER CUSHION	NO SERVICE PART		1	
811	-----	CL A CUSHION B	NO SERVICE PART		1	
812	-----	CL A CUSHION A	NO SERVICE PART		1	
825	-----	ROLLER ARM	NO SERVICE PART		1	
830	-----	GEAR BKT	NO SERVICE PART		1	
840	-----	SPACER(H)	NO SERVICE PART		2	
841	-----	BOTTOM SHEET	NO SERVICE PART		1	
842	-----	DVD MECHA PWB ASSY	NO SERVICE PART		1	
847	-----	LOADING MOTOR	NO SERVICE PART		1	
848	-----	SIN TWIST WIRE	NO SERVICE PART		1	
849	-----	SIN TWIST WIRE	NO SERVICE PART		1	
850	-----	WORM GEAR	NO SERVICE PART		1	
851	-----	TM CHASSIS ASSY	NO SERVICE PART		1	
852	-----	FEED MOTOR	NO SERVICE PART		1	
853	-----	SPINDLE MOTOR	NO SERVICE PART		1	
854	-----	SUB SHAFT	NO SERVICE PART		1	
855	-----	SUB SHAFT SP	NO SERVICE PART		1	
856	-----	DVD OPT.PICKUP	NO SERVICE PART		1	
857	-----	PICKUP ARM	NO SERVICE PART		1	
858	-----	PICKUP ARM SP	NO SERVICE PART		1	
859	-----	SHAFT	NO SERVICE PART		1	
860	-----	MAIN SHAFT SP 2	NO SERVICE PART		1	
861	-----	MAIN SHAFT SP	NO SERVICE PART		1	
862	-----	TM COVER MAIN	NO SERVICE PART		1	
863	-----	TM COVER SUB	NO SERVICE PART		1	
864	-----	ROLLER SHAFT	NO SERVICE PART		1	
865	-----	ROLLER GEAR	NO SERVICE PART		1	
866	-----	SCREW	NO SERVICE PART		1	

MODEL	MARK	MODEL	MARK
DDX6706S	K1	DDX6906S	K0

Safe	Symbol No.	Parts No.	Parts Name	Description	QTY	Local
MAIN PWB ASSY (XJ1-235K-00) <XJ1>						
	IC31	MP9943AGQ	ANALOG IC		1	
	IC51	MP9943AGQ	ANALOG IC		1	
	IC52	TC7SH08FUJC	MOS IC		1	
	IC91	MP9942AGJ	ANALOG IC		1	
	IC92	TC7SH08FUJC	MOS IC		1	
	IC93	INA199B3DCK	ANALOG IC		1	
	IC201	NJM2819ADL333	BIPOLAR IC		1	
	IC202	TC7SET04FUJC	MOS IC		1	
	IC205	XC6223B331P-G	ANALOG IC		1	
	IC301	W3F-0460-00	MCU IC		1	
	IC302	XC6120N282N-G	MOS IC		1	
	IC303	TC7SH08FUJC	MOS IC		1	
	IC304	BR24T32FVT-W	ROM IC		1	
	IC305	NJU7108F3	MOS IC		1	
	IC382	BD33KA5WFP	MOS IC		1	
	IC501	AK7738VQ	MOS IC		1	
	IC502	AK4388AET	ANALOG IC		1	
	IC503	AK4388AET	ANALOG IC		1	
	IC506	AK4388AET	ANALOG IC		1	
	IC507	XC6209B502P-G	MOS IC		1	
	IC508	MM3411A33NE	ANALOG IC		1	
	IC601	NJM4580CV	ANALOG IC		1	
	IC602	NJM2871BF05	ANALOG IC		1	
	IC731	TC7SH08FUJC	MOS IC		1	
	IC732	TC7SZ125FUJC	MOS IC		1	
	IC734	TC7SET08FUJC	MOS IC		1	
	IC871	NJW1341VC3	MOS IC		1	
	IC872	XC6209B502P-G	MOS IC		1	
	Q1	MCQ4435	FET		1	
	Q3	LTC014YEBFS8	DIGI TRANSISTOR		1	
	Q4	LSCR523EBFS8	TRANSISTOR		1	
	Q5	LSAR523EBFS8	TRANSISTOR		1	
	Q6	LTA014TEBFS8	DIGI TRANSISTOR		1	
	Q7	LSCR523EBFS8	TRANSISTOR		1	
	Q8	LSAR523EBFS8	TRANSISTOR		1	
	Q9	LTC014YEBFS8	DIGI TRANSISTOR		1	
	Q10	LTC014YEBFS8	DIGI TRANSISTOR		1	
	Q11	LSCR523EBFS8	TRANSISTOR		1	
	Q12	LSAR523EBFS8	TRANSISTOR		1	
	Q51	LTC044EEBFS8	DIGI TRANSISTOR		1	
	Q52	LTA014YEBFS8	DIGI TRANSISTOR		1	
	Q91	LTC014YEBFS8	DIGI TRANSISTOR		1	
	Q112	LSCR523EBFS8	TRANSISTOR		1	
	Q113	LSAR523EBFS8	TRANSISTOR		1	
	Q114	LTC014YEBFS8	DIGI TRANSISTOR		1	
	Q115	LTC014YEBFS8	DIGI TRANSISTOR		1	
	Q116	LTC044EEBFS8	DIGI TRANSISTOR		1	
	Q117	LTA014YEBFS8	DIGI TRANSISTOR		1	
	Q301	2SB1689	TRANSISTOR		1	
	Q302	LTC014YEBFS8	DIGI TRANSISTOR		1	
	Q303	LSAR523EBFS8	TRANSISTOR		1	
	Q304	LSAR523EBFS8	TRANSISTOR		1	
	Q305	LTC044EEBFS8	DIGI TRANSISTOR		1	
	Q306	LTC014YEBFS8	DIGI TRANSISTOR		1	
	Q307	LTC014YEBFS8	DIGI TRANSISTOR		1	
	Q312	LTA014TEBFS8	DIGI TRANSISTOR		1	
	Q313	LTC014EEBFS8	DIGI TRANSISTOR		1	
	Q314	LTC014EEBFS8	DIGI TRANSISTOR		1	
	Q315	LTC014YEBFS8	DIGI TRANSISTOR		1	
	Q316	LTC014YEBFS8	DIGI TRANSISTOR		1	
	Q317	LSCR523EBFS8	TRANSISTOR		1	
	Q318	LSAR523EBFS8	TRANSISTOR		1	
	Q319	LTC014YEBFS8	DIGI TRANSISTOR		1	
	Q501	LTC014YEBFS8	DIGI TRANSISTOR		1	
	Q502	LTC014YEBFS8	DIGI TRANSISTOR		1	
	Q821	LSCR523UBFS8	TRANSISTOR		1	
	D1	RB080LAM-30	SCHOTTKY DIODE		1	
	D2	1SS355VM	DIODE		1	
	D3	UDZV16B	ZENER DIODE		1	
	D5	UDZV6.2B	ZENER DIODE		1	
	D6	UDZV6.2B	ZENER DIODE		1	
	D91	UDZV6.2B	ZENER DIODE		1	
	D201	GS1J-LTP	DIODE		1	
	D202	1SS355VM	DIODE		1	
	D301	1SS355VM	DIODE		1	
	D601	UDZV11B	ZENER DIODE		1	
	D602	UDZV11B	ZENER DIODE		1	
	D603	1SS355VM	DIODE		1	
	D732	UDZV5.6B	ZENER DIODE		1	
	D733	UDZV5.6B	ZENER DIODE		1	
	D734	1SS355VM	DIODE		1	
	C1	CK73HXR1H104K	C CAPACITOR	0.1uF 50V K	1	
	C2	CK73HXR1H104K	C CAPACITOR	0.1uF 50V K	1	
	C4	CK73HXR1H104K	C CAPACITOR	0.1uF 50V K	1	
	C7	CD040CP1C222M	E CAPACITOR	2200uF 16V M	1	
	C31	CK73HXR1H104K	C CAPACITOR	0.1uF 50V K	1	
	C32	CK73HXR1H103K	C CAPACITOR	0.01uF 50V K	1	
	C33	CK73FXR1E106K	C CAPACITOR	10uF 25V K	1	
	C34	CK73FXR1E106K	C CAPACITOR	10uF 25V K	1	
	C35	CK73HXR1H104K	C CAPACITOR	0.1uF 50V K	1	
	C36	CK73HXR1H103K	C CAPACITOR	0.01uF 50V K	1	

MODEL	MARK	MODEL	MARK
DDX6706S	K1	DDX6906S	K0

Safe	Symbol No.	Parts No.	Parts Name	Description	QTY	Local
	C37	CK73HXR1H104K	C CAPACITOR	0.1uF 50V K	1	
	C38	CK73HXR1E104K	C CAPACITOR	0.1uF 25V K	1	
	C40	CC73HCH1H560J	C CAPACITOR	56pF 50V J	1	
	C41	CK73EXR1A476K	C CAPACITOR	47uF 10V K	1	
	C43	CK73HXR1A104K	C CAPACITOR	0.1uF 10V K	1	
	C44	CK73HXR1H103K	C CAPACITOR	0.01uF 50V K	1	
	C48	CC73HCH1H220J	C CAPACITOR	22pF 50V J	1	
	C50	CK73EXR1A476K	C CAPACITOR	47uF 10V K	1	
	C51	CK73HXR1H104K	C CAPACITOR	0.1uF 50V K	1	
	C52	CK73HXR1H103K	C CAPACITOR	0.01uF 50V K	1	
	C53	CK73FXR1E106K	C CAPACITOR	10uF 25V K	1	
	C54	CK73FXR1E106K	C CAPACITOR	10uF 25V K	1	
	C55	CK73HXR1H104K	C CAPACITOR	0.1uF 50V K	1	
	C56	CK73HXR1H103K	C CAPACITOR	0.01uF 50V K	1	
	C57	CK73HXR1H104K	C CAPACITOR	0.1uF 50V K	1	
	C58	CK73HXR1E104K	C CAPACITOR	0.1uF 25V K	1	
	C60	CC73HCH1H560J	C CAPACITOR	56pF 50V J	1	
	C61	CK73EXR1A476K	C CAPACITOR	47uF 10V K	1	
	C62	CK73FXR1C106K	C CAPACITOR	10uF 16V K	1	
	C63	CK73HXR1A104K	C CAPACITOR	0.1uF 10V K	1	
	C64	CK73HXR1H103K	C CAPACITOR	0.01uF 50V K	1	
	C65	CC73HCH1H050C	C CAPACITOR	5pF 50V C	1	
	C66	CC73HCH1H050C	C CAPACITOR	5pF 50V C	1	
	C67	CC73HCH1H050C	C CAPACITOR	5pF 50V C	1	
	C69	CK73HXR1H102K	C CAPACITOR	1000pF 50V K	1	
	C70	CK73HXR1H103K	C CAPACITOR	0.01uF 50V K	1	
	C91	CK73HXR1H104K	C CAPACITOR	0.1uF 50V K	1	
	C92	CK73HXR1H103K	C CAPACITOR	0.01uF 50V K	1	
	C93	CK73FXR1E106K	C CAPACITOR	10uF 25V K	1	
	C94	CK73FXR1E106K	C CAPACITOR	10uF 25V K	1	
	C95	CK73HXR1H104K	C CAPACITOR	0.1uF 50V K	1	
	C96	CK73HXR1H103K	C CAPACITOR	0.01uF 50V K	1	
	C97	CK73HXR1H104K	C CAPACITOR	0.1uF 50V K	1	
	C98	CK73HXR1E104K	C CAPACITOR	0.1uF 25V K	1	
	C100	CC73HCH1H560J	C CAPACITOR	56pF 50V J	1	
	C101	CK730DT1C476K	C CAPACITOR	47uF 16V K	1	
	C103	CK73HXR1A104K	C CAPACITOR	0.1uF 10V K	1	
	C104	CK73HXR1H103K	C CAPACITOR	0.01uF 50V K	1	
	C105	CK73HXR1H103K	C CAPACITOR	0.01uF 50V K	1	
	C110	CK73HXR1C105K	C CAPACITOR	1uF 16V K	1	
	C111	CK73HXR1A104K	C CAPACITOR	0.1uF 10V K	1	
	C112	CK73HXR1C105K	C CAPACITOR	1uF 16V K	1	
	C114	CK73HXR1H102K	C CAPACITOR	1000pF 50V K	1	
	C201	CK73FXR1C106K	C CAPACITOR	10uF 16V K	1	
	C202	CK73GXR0J106K	C CAPACITOR	10uF 6.3V K	1	
	C203	CK73FXR1C106K	C CAPACITOR	10uF 16V K	1	
	C204	CK73HXR1H103K	C CAPACITOR	0.01uF 50V K	1	
	C210	CK73HXR1C105K	C CAPACITOR	1uF 16V K	1	
	C211	CK73HXR1C105K	C CAPACITOR	1uF 16V K	1	
	C251	CK730DT1C476K	C CAPACITOR	47uF 16V K	1	
	C252	CK730DT1C476K	C CAPACITOR	47uF 16V K	1	
	C253	CK730DT1C476K	C CAPACITOR	47uF 16V K	1	
	C254	CK73HXR1H103K	C CAPACITOR	0.01uF 50V K	1	
	C303	CE32CC1C221M	E CAPACITOR	220uF 16V M	1	
	C304	CE32CC1C221M	E CAPACITOR	220uF 16V M	1	
	C305	CK73GXR0J106K	C CAPACITOR	10uF 6.3V K	1	
	C306	CK73HXR1H222K	C CAPACITOR	2200pF 50V K	1	
	C307	CK73HXR1C105K	C CAPACITOR	1uF 16V K	1	
	C308	CK73HXR1C105K	C CAPACITOR	1uF 16V K	1	
	C309	CC73HCH1H330J	C CAPACITOR	33pF 50V J	1	
	C310	CC73HCH1H040C	C CAPACITOR	4pF 50V C	1	
	C311	CC73HCH1H080D	C CAPACITOR	8pF 50V D	1	
	C312	CC73HCH1H080D	C CAPACITOR	8pF 50V D	1	
	C313	CK73HXR1A104K	C CAPACITOR	0.1uF 10V K	1	
	C314	CK73HXR1A104K	C CAPACITOR	0.1uF 10V K	1	
	C315	CK73HXR1C105K	C CAPACITOR	1uF 16V K	1	
	C316	CK73HXR1A104K	C CAPACITOR	0.1uF 10V K	1	
	C317	CK73HXR1A104K	C CAPACITOR	0.1uF 10V K	1	
	C318	CK73HXR1A104K	C CAPACITOR	0.1uF 10V K	1	
	C319	CK73HXR1A104K	C CAPACITOR	0.1uF 10V K	1	
	C320	CK73HXR1H103K	C CAPACITOR	0.01uF 50V K	1	
	C321	CK73HXR1H103K	C CAPACITOR	0.01uF 50V K	1	
	C322	CK73HXR1A104K	C CAPACITOR	0.1uF 10V K	1	
	C324	CK73HXR1H103K	C CAPACITOR	0.01uF 50V K	1	
	C329	CK73HXR1H103K	C CAPACITOR	0.01uF 50V K	1	
	C330	CK73HXR1H103K	C CAPACITOR	0.01uF 50V K	1	
	C331	CK73HXR1H103K	C CAPACITOR	0.01uF 50V K	1	
	C339	CK73HXR1H103K	C CAPACITOR	0.01uF 50V K	1	
	C340	CK73EXR0J476M	C CAPACITOR	47uF 6.3V M	1	
	C341	CK73EXR0J476M	C CAPACITOR	47uF 6.3V M	1	
	C342	CK73EXR0J476M	C CAPACITOR	47uF 6.3V M	1	
	C343	CK73HXR1A104K	C CAPACITOR	0.1uF 10V K	1	
	C344	CK73EXR0J476M	C CAPACITOR	47uF 6.3V M	1	
	C345	CK73EXR0J476M	C CAPACITOR	47uF 6.3V M	1	
	C346	CK73EXR0J476M	C CAPACITOR	47uF 6.3V M	1	
	C501	CK73HXR1H222K	C CAPACITOR	2200pF 50V K	1	
	C502	CK73HXR1H222K	C CAPACITOR	2200pF 50V K	1	
	C503	CK73HXR1H222K	C CAPACITOR	2200pF 50V K	1	
	C504	CK73HXR1H222K	C CAPACITOR	2200pF 50V K	1	
	C505	CK73HXR1C105K	C CAPACITOR	1uF 16V K	1	
	C506	CK73HXR1C105K	C CAPACITOR	1uF 16V K	1	
	C507	CK73HXR1C105K	C CAPACITOR	1uF 16V K	1	

MODEL	MARK	MODEL	MARK
DDX6706S	K1	DDX6906S	K0

Safe	Symbol No.	Parts No.	Parts Name	Description	QTY	Local
	C512	CK73HXR1H222K	C CAPACITOR	2200pF 50V K	1	
	C513	CK73HXR1H222K	C CAPACITOR	2200pF 50V K	1	
	C514	CK73HXR1H222K	C CAPACITOR	2200pF 50V K	1	
	C515	CK73HXR1H222K	C CAPACITOR	2200pF 50V K	1	
	C520	CK73HXR1A104K	C CAPACITOR	0.1uF 10V K	1	
	C521	CK73GXR0J106K	C CAPACITOR	10uF 6.3V K	1	
	C522	CK73GXR1A106K	C CAPACITOR	10uF 10V K	1	
	C523	CK73HXR1H222K	C CAPACITOR	2200pF 50V K	1	
	C524	CK73HXR1H222K	C CAPACITOR	2200pF 50V K	1	
	C525	CK73HXR1H222K	C CAPACITOR	2200pF 50V K	1	
	C526	CK73HXR1H222K	C CAPACITOR	2200pF 50V K	1	
	C527	CK73HXR1A104K	C CAPACITOR	0.1uF 10V K	1	
	C528	CK73GXR1A106K	C CAPACITOR	10uF 10V K	1	
	C529	CK73HXR1C105K	C CAPACITOR	1uF 16V K	1	
	C530	CK73HXR1A104K	C CAPACITOR	0.1uF 10V K	1	
	C531	CK73GXR1A106K	C CAPACITOR	10uF 10V K	1	
	C532	CK73HXR1A104K	C CAPACITOR	0.1uF 10V K	1	
	C533	CK73GXR1A106K	C CAPACITOR	10uF 10V K	1	
	C534	CK73GXR1E225K	C CAPACITOR	2.2uF 25V K	1	
	C535	CK73HXR1A104K	C CAPACITOR	0.1uF 10V K	1	
	C536	CK73GXR1A106K	C CAPACITOR	10uF 10V K	1	
	C537	CK73HXR1A104K	C CAPACITOR	0.1uF 10V K	1	
	C538	CK73GXR1A106K	C CAPACITOR	10uF 10V K	1	
	C539	CK73HXR1A104K	C CAPACITOR	0.1uF 10V K	1	
	C540	CK73GXR1A106K	C CAPACITOR	10uF 10V K	1	
	C541	CK73GXR1E225K	C CAPACITOR	2.2uF 25V K	1	
	C542	CK73HXR1A104K	C CAPACITOR	0.1uF 10V K	1	
	C543	CK73GXR1A106K	C CAPACITOR	10uF 10V K	1	
	C544	CK73HXR1A104K	C CAPACITOR	0.1uF 10V K	1	
	C545	CK73HXR1A104K	C CAPACITOR	0.1uF 10V K	1	
	C549	CC73HCH1H120J	C CAPACITOR	12pF 50V J	1	
	C550	CC73HCH1H120J	C CAPACITOR	12pF 50V J	1	
	C551	CK73GXR0J106K	C CAPACITOR	10uF 6.3V K	1	
	C552	CK73GXR1A106K	C CAPACITOR	10uF 10V K	1	
	C553	CK73HXR1A104K	C CAPACITOR	0.1uF 10V K	1	
	C554	CK73GXR0J106K	C CAPACITOR	10uF 6.3V K	1	
	C558	CK73HXR1H332K	C CAPACITOR	3300pF 50V K	1	
	C559	CK73HXR1H332K	C CAPACITOR	3300pF 50V K	1	
	C560	CK73HXR1H332K	C CAPACITOR	3300pF 50V K	1	
	C561	CK73HXR1H222K	C CAPACITOR	2200pF 50V K	1	
	C562	CK73HXR1H222K	C CAPACITOR	2200pF 50V K	1	
	C563	CK73HXR1H222K	C CAPACITOR	2200pF 50V K	1	
	C564	CK73HXR1H222K	C CAPACITOR	2200pF 50V K	1	
	C565	CK73HXR1H222K	C CAPACITOR	2200pF 50V K	1	
	C566	CK73HXR1H222K	C CAPACITOR	2200pF 50V K	1	
	C567	CK73HXR1H222K	C CAPACITOR	2200pF 50V K	1	
	C568	CK73HXR1H222K	C CAPACITOR	2200pF 50V K	1	
	C569	CK73HXR0J474K	C CAPACITOR	0.47uF 6.3V K	1	
	C571	CK73GXR0J106K	C CAPACITOR	10uF 6.3V K	1	
	C603	CK73HXR1H102K	C CAPACITOR	1000pF 50V K	1	
	C605	CK73HXR1C105K	C CAPACITOR	1uF 16V K	1	
	C606	CK73HXR1C105K	C CAPACITOR	1uF 16V K	1	
	C607	CC73HCH1H220J	C CAPACITOR	22pF 50V J	1	
	C609	CC73HCH1H220J	C CAPACITOR	22pF 50V J	1	
	C611	CK73HXR1E104K	C CAPACITOR	0.1uF 25V K	1	
	C613	CK73EXR1A476K	C CAPACITOR	47uF 10V K	1	
	C615	CK73HXR1A683K	C CAPACITOR	0.068uF 10V K	1	
	C616	CK73HXR1A683K	C CAPACITOR	0.068uF 10V K	1	
	C617	CK73EXR1A476K	C CAPACITOR	47uF 10V K	1	
	C621	CK73HXR1C105K	C CAPACITOR	1uF 16V K	1	
	C622	CK73HXR1C105K	C CAPACITOR	1uF 16V K	1	
	C623	CK73HXR1H103K	C CAPACITOR	0.01uF 50V K	1	
	C734	CK73HXR1H104K	C CAPACITOR	0.1uF 50V K	1	
	C736	CK73HXR1H103K	C CAPACITOR	0.01uF 50V K	1	
	C737	CK73HXR1H103K	C CAPACITOR	0.01uF 50V K	1	
	C739	CK73HXR1H103K	C CAPACITOR	0.01uF 50V K	1	
	C751	CE32CC1C221M	E CAPACITOR	220uF 16V M	1	
	C752	CK73HXR1A104K	C CAPACITOR	0.1uF 10V K	1	
	C753	CK73HXR1H103K	C CAPACITOR	0.01uF 50V K	1	
	C760	CK73HXR1E223K	C CAPACITOR	0.022uF 25V K	1	
	C761	CK73FXR0J226M	C CAPACITOR	22uF 6.3V M	1	
	C791	CK73HXR1H102K	C CAPACITOR	1000pF 50V K	1	
	C792	CK73HXR1H102K	C CAPACITOR	1000pF 50V K	1	
	C793	CK73HXR1E223K	C CAPACITOR	0.022uF 25V K	1	
	C794	CC73HCH1H221J	C CAPACITOR	220pF 50V J	1	
	C795	CC73HCH1H221J	C CAPACITOR	220pF 50V J	1	
	C821	CK73FXR1C106K	C CAPACITOR	10uF 16V K	1	
	C832	CK73FXR0J226M	C CAPACITOR	22uF 6.3V M	1	
	C833	CK73HXR0J224K	C CAPACITOR	0.22uF 6.3V K	1	
	C879	CK73HXR1C105K	C CAPACITOR	1uF 16V K	1	
	C881	CK73HXR1C105K	C CAPACITOR	1uF 16V K	1	
	C882	CK73HXR1C105K	C CAPACITOR	1uF 16V K	1	
	C884	CK73HXR1C105K	C CAPACITOR	1uF 16V K	1	
	C885	CK73HXR1C105K	C CAPACITOR	1uF 16V K	1	
	C887	CK73HXR1C105K	C CAPACITOR	1uF 16V K	1	
	C888	CK73HXR1C105K	C CAPACITOR	1uF 16V K	1	
	C890	CK73HXR1A104K	C CAPACITOR	0.1uF 10V K	1	
	C891	CK73HXR1C105K	C CAPACITOR	1uF 16V K	1	
	C892	CE32BJ1C470M	E CAPACITOR	47uF 16V M	1	
	C893	CK73HXR1H104K	C CAPACITOR	0.1uF 50V K	1	
	C895	CK73HXR1C105K	C CAPACITOR	1uF 16V K	1	
	C896	CK73HXR1C105K	C CAPACITOR	1uF 16V K	1	
	C897	CK73HXR1C105K	C CAPACITOR	1uF 16V K	1	

MODEL	MARK	MODEL	MARK
DDX6706S	K1	DDX6906S	K0

Safe	Symbol No.	Parts No.	Parts Name	Description	QTY	Local
	C898	CK73FXR1C106K	C CAPACITOR	10uF 16V K	1	
	C899	CK73HXR1C105K	C CAPACITOR	1uF 16V K	1	
	C3801	CK73FXR1C106K	C CAPACITOR	10uF 16V K	1	
	C3802	CK73HXR1C104K	C CAPACITOR	0.1uF 16V K	1	
	C3811	CC73HCH1H100D	C CAPACITOR	10pF 50V D	1	
	C3816	CC73HCH1H100D	C CAPACITOR	10pF 50V D	1	
	C3817	CC73HCH1H100D	C CAPACITOR	10pF 50V D	1	
	C3818	CC73HCH1H100D	C CAPACITOR	10pF 50V D	1	
	C3819	CC73HCH1H100D	C CAPACITOR	10pF 50V D	1	
	C3851	CK73GXR1C105K	C CAPACITOR	1uF 16V K	1	
	C3852	CK73FXR1C106K	C CAPACITOR	10uF 16V K	1	
	C3856	CC73HCH1H100D	C CAPACITOR	10pF 50V D	1	
	R1	RK73GB2A103J	MG RESISTOR	10kΩ 1/10W J	1	
	R2	RK73GB2A202J	MG RESISTOR	2kΩ 1/10W J	1	
	R3	RK73HB1J334J	MG RESISTOR	330kΩ 1/16W J	1	
	R4	RK73HH1J753D	MG RESISTOR	75kΩ 1/16W D	1	
	R5	RK73HH1J753D	MG RESISTOR	75kΩ 1/16W D	1	
	R6	RK73HH1J333D	MG RESISTOR	33kΩ 1/16W D	1	
	R7	RK73HB1J224J	MG RESISTOR	220kΩ 1/16W J	1	
	R8	RK73HB1J224J	MG RESISTOR	220kΩ 1/16W J	1	
	R9	RK73HB1J000J	MG RESISTOR	0Ω 1/16W J	1	
	R10	RK73HH1J104D	MG RESISTOR	100kΩ 1/16W D	1	
	R11	RK73HH1J134D	MG RESISTOR	130kΩ 1/16W D	1	
	R12	RK73HB1J224J	MG RESISTOR	220kΩ 1/16W J	1	
	R13	RK73HB1J224J	MG RESISTOR	220kΩ 1/16W J	1	
	R14	RK73HH1J304D	MG RESISTOR	300kΩ 1/16W D	1	
	R15	RK73HH1J304D	MG RESISTOR	300kΩ 1/16W D	1	
	R16	RK73HH1J822D	MG RESISTOR	8.2kΩ 1/16W D	1	
	R17	RK73HH1J104D	MG RESISTOR	100kΩ 1/16W D	1	
	R18	RK73HH1J683D	MG RESISTOR	68kΩ 1/16W D	1	
	R19	RK73HB1J224J	MG RESISTOR	220kΩ 1/16W J	1	
	R20	RK73HB1J224J	MG RESISTOR	220kΩ 1/16W J	1	
	R31	RK73GB2A200J	MG RESISTOR	20Ω 1/10W J	1	
	R33	RK73HB1J333J	MG RESISTOR	33kΩ 1/16W J	1	
	R34	RK73HB1J000J	MG RESISTOR	0Ω 1/16W J	1	
	R35	RK73HB1J000J	MG RESISTOR	0Ω 1/16W J	1	
	R36	RK73HH1J393D	MG RESISTOR	39kΩ 1/16W D	1	
	R37	RK73HH1J222D	MG RESISTOR	2.2kΩ 1/16W D	1	
	R38	RK73HH1J752D	MG RESISTOR	7.5kΩ 1/16W D	1	
	R39	RK73HH1J101D	MG RESISTOR	100Ω 1/16W D	1	
	R40	RK73HB1J101J	MG RESISTOR	100Ω 1/16W J	1	
	R51	RK73GB2A200J	MG RESISTOR	20Ω 1/10W J	1	
	R53	RK73HB1J333J	MG RESISTOR	33kΩ 1/16W J	1	
	R54	RK73HB1J000J	MG RESISTOR	0Ω 1/16W J	1	
	R55	RK73HB1J000J	MG RESISTOR	0Ω 1/16W J	1	
	R56	RK73HH1J393D	MG RESISTOR	39kΩ 1/16W D	1	
	R57	RK73HH1J222D	MG RESISTOR	2.2kΩ 1/16W D	1	
	R58	RK73HH1J752D	MG RESISTOR	7.5kΩ 1/16W D	1	
	R59	RK73HH1J101D	MG RESISTOR	100Ω 1/16W D	1	
	R60	RK73HB1J473J	MG RESISTOR	47kΩ 1/16W J	1	
	R62	RK73HH1J100D	MG RESISTOR	10Ω 1/16W D	1	
	R64	RK73HB1J272J	MG RESISTOR	2.7kΩ 1/16W J	1	
	R65	RK73HB1J101J	MG RESISTOR	100Ω 1/16W J	1	
	R66	RK73HB1J102J	MG RESISTOR	1kΩ 1/16W J	1	
	R91	RK73GB2A200J	MG RESISTOR	20Ω 1/10W J	1	
	R92	RK73HB1J473J	MG RESISTOR	47kΩ 1/16W J	1	
	R94	RK73HB1J333J	MG RESISTOR	33kΩ 1/16W J	1	
	R95	RK73HB1J000J	MG RESISTOR	0Ω 1/16W J	1	
	R96	RK73HH1J100D	MG RESISTOR	10Ω 1/16W D	1	
	R97	RK73HH1J393D	MG RESISTOR	39kΩ 1/16W D	1	
	R98	RK73HH1J222D	MG RESISTOR	2.2kΩ 1/16W D	1	
	R99	RK73HH1J752D	MG RESISTOR	7.5kΩ 1/16W D	1	
	R100	RK73HB1J000J	MG RESISTOR	0Ω 1/16W J	1	
	R101	RK73EB2E151J	MG RESISTOR	150Ω 1/4W J	1	
	R102	RK73HB1J223J	MG RESISTOR	22kΩ 1/16W J	1	
	R104	RK73HB1J101J	MG RESISTOR	100Ω 1/16W J	1	
	R105	RK73HB1J272J	MG RESISTOR	2.7kΩ 1/16W J	1	
	R106	RK73HB1J102J	MG RESISTOR	1kΩ 1/16W J	1	
	R107	RK73HB1J000J	MG RESISTOR	0Ω 1/16W J	1	
	R110	RZ73F0CH30LJ	RESISTOR	0.03Ω 1/3W J	1	
	R111	RZ73F0CH30LJ	RESISTOR	0.03Ω 1/3W J	1	
	R112	RK73HB1J100J	MG RESISTOR	10Ω 1/16W J	1	
	R113	RK73HB1J100J	MG RESISTOR	10Ω 1/16W J	1	
	R114	RK73HB1J101J	MG RESISTOR	100Ω 1/16W J	1	
	R119	RK73HH1J102D	MG RESISTOR	1kΩ 1/16W D	1	
	R120	RK73HH1J104D	MG RESISTOR	100kΩ 1/16W D	1	
	R121	RK73HB1J224J	MG RESISTOR	220kΩ 1/16W J	1	
	R122	RK73HB1J224J	MG RESISTOR	220kΩ 1/16W J	1	
	R123	RK73HB1J473J	MG RESISTOR	47kΩ 1/16W J	1	
	R125	RK73HB1J223J	MG RESISTOR	22kΩ 1/16W J	1	
	R126	RZ73F0CH30LJ	RESISTOR	0.03Ω 1/3W J	1	
	R127	RZ73F0CH30LJ	RESISTOR	0.03Ω 1/3W J	1	
	R188	RK73GB2A000J	MG RESISTOR	0Ω 1/10W J	1	
	R189	RK73GB2A000J	MG RESISTOR	0Ω 1/10W J	1	
	R202	RK73GB2A000J	MG RESISTOR	0Ω 1/10W J	1	
	R203	RK73HB1J104J	MG RESISTOR	100kΩ 1/16W J	1	
	R206	RK73GB2A000J	MG RESISTOR	0Ω 1/10W J	1	
	R207	RK73GB2A000J	MG RESISTOR	0Ω 1/10W J	1	
	R208	RK73GB2A000J	MG RESISTOR	0Ω 1/10W J	1	
	R209	RK73GB2A000J	MG RESISTOR	0Ω 1/10W J	1	
	R210	RK73GB2A000J	MG RESISTOR	0Ω 1/10W J	1	
	R211	RK73GB2A000J	MG RESISTOR	0Ω 1/10W J	1	

MODEL	MARK	MODEL	MARK
DDX6706S	K1	DDX6906S	K0

Safe	Symbol No.	Parts No.	Parts Name	Description	QTY	Local
	R215	RK73HB1J101J	MG RESISTOR	100Ω 1/16W J	1	
	R216	RK73HB1J000J	MG RESISTOR	0Ω 1/16W J	1	
	R301	RK73HB1J223J	MG RESISTOR	22kΩ 1/16W J	1	
	R306	RK73HB1J000J	MG RESISTOR	0Ω 1/16W J	1	
	R307	RK73HB1J000J	MG RESISTOR	0Ω 1/16W J	1	
	R308	RK73HB1J101J	MG RESISTOR	100Ω 1/16W J	1	
	R309	RK73HB1J101J	MG RESISTOR	100Ω 1/16W J	1	
	R310	RK73HB1J102J	MG RESISTOR	1kΩ 1/16W J	1	
	R311	RK73HB1J101J	MG RESISTOR	100Ω 1/16W J	1	
	R312	RK73HB1J473J	MG RESISTOR	47kΩ 1/16W J	1	
	R313	RK73HB1J101J	MG RESISTOR	100Ω 1/16W J	1	
	R314	RK73HB1J101J	MG RESISTOR	100Ω 1/16W J	1	
	R315	RK73HB1J102J	MG RESISTOR	1kΩ 1/16W J	1	
	R316	RK73HB1J154J	MG RESISTOR	150kΩ 1/16W J	1	
	R317	RK73HB1J154J	MG RESISTOR	150kΩ 1/16W J	1	
	R318	RK73HB1J101J	MG RESISTOR	100Ω 1/16W J	1	
	R320	RK73HB1J103J	MG RESISTOR	10kΩ 1/16W J	1	
	R321	RK73HB1J103J	MG RESISTOR	10kΩ 1/16W J	1	
	R322	RK73HB1J473J	MG RESISTOR	47kΩ 1/16W J	1	
	R323	RK73HB1J103J	MG RESISTOR	10kΩ 1/16W J	1	
	R324	RK73HB1J101J	MG RESISTOR	100Ω 1/16W J	1	
	R325	RK73HB1J473J	MG RESISTOR	47kΩ 1/16W J	1	
	R326	RK73HB1J473J	MG RESISTOR	47kΩ 1/16W J	1	
	R327	RK73HB1J223J	MG RESISTOR	22kΩ 1/16W J	1	
	R329	RK73HB1J223J	MG RESISTOR	22kΩ 1/16W J	1	
	R330	RK73HB1J222J	MG RESISTOR	2.2kΩ 1/16W J	1	
	R331	RK73HB1J101J	MG RESISTOR	100Ω 1/16W J	1	
	R332	RK73HB1J101J	MG RESISTOR	100Ω 1/16W J	1	
	R333	RK73HB1J272J	MG RESISTOR	2.7kΩ 1/16W J	1	
	R334	RK73HB1J101J	MG RESISTOR	100Ω 1/16W J	1	
	R335	RK73HB1J101J	MG RESISTOR	100Ω 1/16W J	1	
	R337	RK73HB1J101J	MG RESISTOR	100Ω 1/16W J	1	
	R338	RK73HB1J000J	MG RESISTOR	0Ω 1/16W J	1	
	R339	RK73HB1J101J	MG RESISTOR	100Ω 1/16W J	1	
	R340	RK73HB1J472J	MG RESISTOR	4.7kΩ 1/16W J	1	
	R341	RK73HB1J472J	MG RESISTOR	4.7kΩ 1/16W J	1	
	R342	RK73HB1J101J	MG RESISTOR	100Ω 1/16W J	1	
	R343	RK73HB1J101J	MG RESISTOR	100Ω 1/16W J	1	
	R344	RK73HB1J101J	MG RESISTOR	100Ω 1/16W J	1	
	R347	RK73HB1J101J	MG RESISTOR	100Ω 1/16W J	1	
	R348	RK73HB1J104J	MG RESISTOR	100kΩ 1/16W J	1	
	R349	RK73HB1J101J	MG RESISTOR	100Ω 1/16W J	1	
	R352	RK73HB1J473J	MG RESISTOR	47kΩ 1/16W J	1	
	R355	RK73HB1J101J	MG RESISTOR	100Ω 1/16W J	1	
	R357	RK73HB1J101J	MG RESISTOR	100Ω 1/16W J	1	
	R358	RK73HB1J101J	MG RESISTOR	100Ω 1/16W J	1	
	R359	RK73HB1J101J	MG RESISTOR	100Ω 1/16W J	1	
	R360	RK73HB1J101J	MG RESISTOR	100Ω 1/16W J	1	
	R361	RK73HB1J101J	MG RESISTOR	100Ω 1/16W J	1	
	R362	RK73HB1J104J	MG RESISTOR	100kΩ 1/16W J	1	
	R363	RK73HB1J101J	MG RESISTOR	100Ω 1/16W J	1	
	R365	RK73HB1J101J	MG RESISTOR	100Ω 1/16W J	1	
	R366	RK73HB1J222J	MG RESISTOR	2.2kΩ 1/16W J	1	
	R367	RK73HB1J222J	MG RESISTOR	2.2kΩ 1/16W J	1	
	R368	RK73HB1J101J	MG RESISTOR	100Ω 1/16W J	1	
	R369	RK73HB1J473J	MG RESISTOR	47kΩ 1/16W J	1	
	R370	RK73HB1J101J	MG RESISTOR	100Ω 1/16W J	1	
	R371	RK73HB1J101J	MG RESISTOR	100Ω 1/16W J	1	
	R372	RK73HB1J101J	MG RESISTOR	100Ω 1/16W J	1	
	R373	RK73HB1J101J	MG RESISTOR	100Ω 1/16W J	1	
	R374	RK73HB1J101J	MG RESISTOR	100Ω 1/16W J	1	
	R375	RK73HB1J101J	MG RESISTOR	100Ω 1/16W J	1	
	R376	RK73HB1J101J	MG RESISTOR	100Ω 1/16W J	1	
	R378	RK73HB1J104J	MG RESISTOR	100kΩ 1/16W J	1	
	R379	RK73HB1J102J	MG RESISTOR	1kΩ 1/16W J	1	
	R380	RK73HB1J101J	MG RESISTOR	100Ω 1/16W J	1	
	R381	RK73HB1J102J	MG RESISTOR	1kΩ 1/16W J	1	
	R382	RK73HB1J223J	MG RESISTOR	22kΩ 1/16W J	1	
	R383	RK73HB1J101J	MG RESISTOR	100Ω 1/16W J	1	
	R384	RK73HB1J102J	MG RESISTOR	1kΩ 1/16W J	1	
	R385	RK73HB1J223J	MG RESISTOR	22kΩ 1/16W J	1	
	R386	RK73HB1J102J	MG RESISTOR	1kΩ 1/16W J	1	
	R387	RK73HB1J223J	MG RESISTOR	22kΩ 1/16W J	1	
	R388	RK73HB1J101J	MG RESISTOR	100Ω 1/16W J	1	
	R389	RK73HB1J101J	MG RESISTOR	100Ω 1/16W J	1	
	R390	RK73HB1J223J	MG RESISTOR	22kΩ 1/16W J	1	
	R391	RK73HB1J104J	MG RESISTOR	100kΩ 1/16W J	1	
	R392	RK73HB1J101J	MG RESISTOR	100Ω 1/16W J	1	
	R393	RK73HB1J101J	MG RESISTOR	100Ω 1/16W J	1	
	R394	RK73HB1J104J	MG RESISTOR	100kΩ 1/16W J	1	
	R396	RK73HB1J104J	MG RESISTOR	100kΩ 1/16W J	1	
	R397	RK73HB1J473J	MG RESISTOR	47kΩ 1/16W J	1	
	R398	RK73HB1J101J	MG RESISTOR	100Ω 1/16W J	1	
	R399	RK73HB1J222J	MG RESISTOR	2.2kΩ 1/16W J	1	
	R400	RK73HB1J222J	MG RESISTOR	2.2kΩ 1/16W J	1	
	R401	RK73HB1J473J	MG RESISTOR	47kΩ 1/16W J	1	
	R403	RK73HB1J104J	MG RESISTOR	100kΩ 1/16W J	1	
	R404	RK73HB1J101J	MG RESISTOR	100Ω 1/16W J	1	
	R405	RK73HB1J101J	MG RESISTOR	100Ω 1/16W J	1	
	R407	RK73HB1J104J	MG RESISTOR	100kΩ 1/16W J	1	
	R409	RK73HB1J104J	MG RESISTOR	100kΩ 1/16W J	1	
	R410	RK73HB1J101J	MG RESISTOR	100Ω 1/16W J	1	

MODEL	MARK	MODEL	MARK
DDX6706S	K1	DDX6906S	K0

Safe	Symbol No.	Parts No.	Parts Name	Description	QTY	Local
	R411	RK73HB1J101J	MG RESISTOR	100Ω 1/16W J	1	
	R412	RK73HB1J101J	MG RESISTOR	100Ω 1/16W J	1	
	R413	RK73HB1J101J	MG RESISTOR	100Ω 1/16W J	1	
	R415	RK73HB1J104J	MG RESISTOR	100kΩ 1/16W J	1	
	R417	RK73HB1J104J	MG RESISTOR	100kΩ 1/16W J	1	
	R420	RK73HB1J223J	MG RESISTOR	22kΩ 1/16W J	1	
	R421	RK73HB1J331J	MG RESISTOR	330Ω 1/16W J	1	
	R422	RK73HB1J821J	MG RESISTOR	820Ω 1/16W J	1	
	R423	RK73HB1J271J	MG RESISTOR	270Ω 1/16W J	1	
	R424	RK73HB1J224J	MG RESISTOR	220kΩ 1/16W J	1	
	R425	RK73HB1J471J	MG RESISTOR	470Ω 1/16W J	1	
	R426	RK73HB1J823J	MG RESISTOR	82kΩ 1/16W J	1	
	R427	RK73HB1J103J	MG RESISTOR	10kΩ 1/16W J	1	
	R428	RK73HB1J124J	MG RESISTOR	120kΩ 1/16W J	1	
	R429	RK73HB1J472J	MG RESISTOR	4.7kΩ 1/16W J	1	
	R430	RK73HB1J103J	MG RESISTOR	10kΩ 1/16W J	1	
	R431	RK73HB1J473J	MG RESISTOR	47kΩ 1/16W J	1	
	R432	RK73HB1J473J	MG RESISTOR	47kΩ 1/16W J	1	
	R433	RK73HB1J473J	MG RESISTOR	47kΩ 1/16W J	1	
	R434	RK73HB1J473J	MG RESISTOR	47kΩ 1/16W J	1	
	R437	RK73HB1J000J	MG RESISTOR	0Ω 1/16W J	1	
	R443	RK73HB1J473J	MG RESISTOR	47kΩ 1/16W J	1	
	R444	RK73HB1J473J	MG RESISTOR	47kΩ 1/16W J	1	
	R446	RK73HB1J104J	MG RESISTOR	100kΩ 1/16W J	1	
	R447	RK73HB1J101J	MG RESISTOR	100Ω 1/16W J	1	
	R448	RK73HB1J000J	MG RESISTOR	0Ω 1/16W J	1	
	R449	RK73HB1J101J	MG RESISTOR	100Ω 1/16W J	1	
	R450	RK73HB1J472J	MG RESISTOR	4.7kΩ 1/16W J	1	
	R503	RK73HB1J223J	MG RESISTOR	22kΩ 1/16W J	1	
	R504	RK73HB1J223J	MG RESISTOR	22kΩ 1/16W J	1	
	R506	RK73HB1J223J	MG RESISTOR	22kΩ 1/16W J	1	
	R507	RK73HB1J223J	MG RESISTOR	22kΩ 1/16W J	1	
	R510	RK73HB1J221J	MG RESISTOR	220Ω 1/16W J	1	
	R511	RK73HB1J221J	MG RESISTOR	220Ω 1/16W J	1	
	R512	RK73HB1J221J	MG RESISTOR	220Ω 1/16W J	1	
	R513	RK73HB1J221J	MG RESISTOR	220Ω 1/16W J	1	
	R514	RK73HB1J000J	MG RESISTOR	0Ω 1/16W J	1	
	R515	RK73HB1J000J	MG RESISTOR	0Ω 1/16W J	1	
	R518	RK73HB1J221J	MG RESISTOR	220Ω 1/16W J	1	
	R519	RK73HB1J221J	MG RESISTOR	220Ω 1/16W J	1	
	R520	RK73HB1J000J	MG RESISTOR	0Ω 1/16W J	1	
	R521	RK73HB1J221J	MG RESISTOR	220Ω 1/16W J	1	
	R522	RK73HB1J221J	MG RESISTOR	220Ω 1/16W J	1	
	R523	RK73HB1J000J	MG RESISTOR	0Ω 1/16W J	1	
	R524	RK73HB1J000J	MG RESISTOR	0Ω 1/16W J	1	
	R531	RK73HB1J223J	MG RESISTOR	22kΩ 1/16W J	1	
	R532	RK73HB1J223J	MG RESISTOR	22kΩ 1/16W J	1	
	R533	RK73HB1J000J	MG RESISTOR	0Ω 1/16W J	1	
	R534	RK73HB1J100J	MG RESISTOR	10Ω 1/16W J	1	
	R535	RK73HB1J100J	MG RESISTOR	10Ω 1/16W J	1	
	R536	RK73HB1J100J	MG RESISTOR	10Ω 1/16W J	1	
	R538	RK73GB2A2R2J	MG RESISTOR	2.2Ω 1/10W J	1	
	R539	RK73HB1J221J	MG RESISTOR	220Ω 1/16W J	1	
	R540	RK73HB1J221J	MG RESISTOR	220Ω 1/16W J	1	
	R541	RK73HB1J221J	MG RESISTOR	220Ω 1/16W J	1	
	R542	RK73HB1J221J	MG RESISTOR	220Ω 1/16W J	1	
	R543	RK73HB1J000J	MG RESISTOR	0Ω 1/16W J	1	
	R544	RK73HB1J000J	MG RESISTOR	0Ω 1/16W J	1	
	R545	RK73HB1J101J	MG RESISTOR	100Ω 1/16W J	1	
	R546	RK73HB1J101J	MG RESISTOR	100Ω 1/16W J	1	
	R547	RK73HB1J000J	MG RESISTOR	0Ω 1/16W J	1	
	R550	RK73HB1J000J	MG RESISTOR	0Ω 1/16W J	1	
	R551	RK73HB1J222J	MG RESISTOR	2.2kΩ 1/16W J	1	
	R552	RK73HB1J101J	MG RESISTOR	100Ω 1/16W J	1	
	R553	RK73HB1J101J	MG RESISTOR	100Ω 1/16W J	1	
	R554	RK73HB1J101J	MG RESISTOR	100Ω 1/16W J	1	
	R555	RK73HB1J101J	MG RESISTOR	100Ω 1/16W J	1	
	R556	RK73HB1J101J	MG RESISTOR	100Ω 1/16W J	1	
	R558	RK73HB1J000J	MG RESISTOR	0Ω 1/16W J	1	
	R559	RK73HB1J101J	MG RESISTOR	100Ω 1/16W J	1	
	R560	RK73HB1J101J	MG RESISTOR	100Ω 1/16W J	1	
	R561	RK73HB1J101J	MG RESISTOR	100Ω 1/16W J	1	
	R562	RK73HB1J000J	MG RESISTOR	0Ω 1/16W J	1	
	R563	RK73HB1J000J	MG RESISTOR	0Ω 1/16W J	1	
	R564	RK73HB1J000J	MG RESISTOR	0Ω 1/16W J	1	
	R565	RK73HB1J101J	MG RESISTOR	100Ω 1/16W J	1	
	R566	RK73HB1J100J	MG RESISTOR	10Ω 1/16W J	1	
	R567	RK73HB1J100J	MG RESISTOR	10Ω 1/16W J	1	
	R568	RK73HB1J181J	MG RESISTOR	180Ω 1/16W J	1	
	R569	RK73HB1J223J	MG RESISTOR	22kΩ 1/16W J	1	
	R570	RK73HB1J100J	MG RESISTOR	10Ω 1/16W J	1	
	R573	RK73HB1J101J	MG RESISTOR	100Ω 1/16W J	1	
	R574	RK73HB1J100J	MG RESISTOR	10Ω 1/16W J	1	
	R575	RK73HB1J100J	MG RESISTOR	10Ω 1/16W J	1	
	R576	RK73HB1J000J	MG RESISTOR	0Ω 1/16W J	1	
	R577	RK73HB1J100J	MG RESISTOR	10Ω 1/16W J	1	
	R578	RK73GB2A2R2J	MG RESISTOR	2.2Ω 1/10W J	1	
	R579	RK73GB2A2R2J	MG RESISTOR	2.2Ω 1/10W J	1	
	R582	RK73HB1J000J	MG RESISTOR	0Ω 1/16W J	1	
	R583	RK73HB1J000J	MG RESISTOR	0Ω 1/16W J	1	
	R584	RK73HB1J000J	MG RESISTOR	0Ω 1/16W J	1	
	R585	RK73GB2A000J	MG RESISTOR	0Ω 1/10W J	1	
	R586	RK73GB2A000J	MG RESISTOR	0Ω 1/10W J	1	

MODEL	MARK	MODEL	MARK
DDX6706S	K1	DDX6906S	K0

Safe	Symbol No.	Parts No.	Parts Name	Description	QTY	Local
	R588	RK73HH1J221D	MG RESISTOR	220Ω 1/16W D	1	
	R589	RK73HH1J221D	MG RESISTOR	220Ω 1/16W D	1	
	R590	RK73HH1J221D	MG RESISTOR	220Ω 1/16W D	1	
	R591	RK73HH1J221D	MG RESISTOR	220Ω 1/16W D	1	
	R592	RK73HH1J221D	MG RESISTOR	220Ω 1/16W D	1	
	R593	RK73HH1J221D	MG RESISTOR	220Ω 1/16W D	1	
	R594	RK73HH1J221D	MG RESISTOR	220Ω 1/16W D	1	
	R595	RK73HH1J221D	MG RESISTOR	220Ω 1/16W D	1	
	R596	RK73HB1J223J	MG RESISTOR	22kΩ 1/16W J	1	
	R599	RK73GB2A000J	MG RESISTOR	0Ω 1/10W J	1	
	R600	RK73GB2A000J	MG RESISTOR	0Ω 1/10W J	1	
	R604	RK73HB1J000J	MG RESISTOR	0Ω 1/16W J	1	
	R609	RK73HB1J203J	MG RESISTOR	20kΩ 1/16W J	1	
	R610	RK73HB1J203J	MG RESISTOR	20kΩ 1/16W J	1	
	R611	RK73HB1J473J	MG RESISTOR	47kΩ 1/16W J	1	
	R612	RK73HB1J304J	MG RESISTOR	300kΩ 1/16W J	1	
	R614	RK73HB1J304J	MG RESISTOR	300kΩ 1/16W J	1	
	R615	RK73GB2A000J	MG RESISTOR	0Ω 1/10W J	1	
	R616	RK73HB1J223J	MG RESISTOR	22kΩ 1/16W J	1	
	R617	RK73HB1J223J	MG RESISTOR	22kΩ 1/16W J	1	
	R618	RK73HB1J333J	MG RESISTOR	33kΩ 1/16W J	1	
	R620	RK73HB1J123J	MG RESISTOR	12kΩ 1/16W J	1	
	R621	RK73GB2A101J	MG RESISTOR	100Ω 1/10W J	1	
	R622	RK73GB2A2R2J	MG RESISTOR	2.2Ω 1/10W J	1	
	R624	RK73HB1J752J	MG RESISTOR	7.5kΩ 1/16W J	1	
	R625	RK73GB2A000J	MG RESISTOR	0Ω 1/10W J	1	
	R638	RK73HB1J000J	MG RESISTOR	0Ω 1/16W J	1	
	R734	RK73GB2A101J	MG RESISTOR	100Ω 1/10W J	1	
	R735	RK73GB2A101J	MG RESISTOR	100Ω 1/10W J	1	
	R741	RK73HB1J272J	MG RESISTOR	2.7kΩ 1/16W J	1	
	R743	RK73HB1J473J	MG RESISTOR	47kΩ 1/16W J	1	
	R750	RK73HB1J101J	MG RESISTOR	100Ω 1/16W J	1	
	R754	RK73HB1J000J	MG RESISTOR	0Ω 1/16W J	1	
	R755	RK73HB1J000J	MG RESISTOR	0Ω 1/16W J	1	
	R756	RK73HB1J000J	MG RESISTOR	0Ω 1/16W J	1	
	R757	RK73HB1J000J	MG RESISTOR	0Ω 1/16W J	1	
	R758	RK73HB1J000J	MG RESISTOR	0Ω 1/16W J	1	
	R759	RK73HB1J000J	MG RESISTOR	0Ω 1/16W J	1	
	R760	RK73GB2A000J	MG RESISTOR	0Ω 1/10W J	1	
	R791	RK73HB1J223J	MG RESISTOR	22kΩ 1/16W J	1	
	R792	RK73HB1J223J	MG RESISTOR	22kΩ 1/16W J	1	
	R793	RK73HB1J100J	MG RESISTOR	10Ω 1/16W J	1	
	R794	RK73HB1J100J	MG RESISTOR	10Ω 1/16W J	1	
	R795	RK73HB1J4R7J	MG RESISTOR	4.7Ω 1/16W J	1	
	R796	RK73GB2A000J	MG RESISTOR	0Ω 1/10W J	1	
	R803	RK73GH2A472D	MG RESISTOR	4.7kΩ 1/10W D	1	
	R804	RK73GH2A472D	MG RESISTOR	4.7kΩ 1/10W D	1	
	R807	RK73HB1J152J	MG RESISTOR	1.5kΩ 1/16W J	1	
	R808	RK73HB1J152J	MG RESISTOR	1.5kΩ 1/16W J	1	
	R809	RK73HB1J681J	MG RESISTOR	680Ω 1/16W J	1	
	R810	RK73HB1J681J	MG RESISTOR	680Ω 1/16W J	1	
	R823	RK73HB1J303J	MG RESISTOR	30kΩ 1/16W J	1	
	R824	RK73HH1J750D	MG RESISTOR	75Ω 1/16W D	1	
	R825	RK73GB2A000J	MG RESISTOR	0Ω 1/10W J	1	
	R826	RK73HB1J100J	MG RESISTOR	10Ω 1/16W J	1	
	R827	RK73HB1J100J	MG RESISTOR	10Ω 1/16W J	1	
	R829	RK73HB1J303J	MG RESISTOR	30kΩ 1/16W J	1	
	R839	RK73HB1J750J	MG RESISTOR	75Ω 1/16W J	1	
	R871	RK73GB2A000J	MG RESISTOR	0Ω 1/10W J	1	
	R873	RK73HB1J000J	MG RESISTOR	0Ω 1/16W J	1	
	R874	RK73HB1J000J	MG RESISTOR	0Ω 1/16W J	1	
	R876	RK73HB1J000J	MG RESISTOR	0Ω 1/16W J	1	
	R877	RK73HB1J100J	MG RESISTOR	10Ω 1/16W J	1	
	R878	RK73HH1J391D	MG RESISTOR	390Ω 1/16W D	1	
	R879	RK73HH1J201D	MG RESISTOR	200Ω 1/16W D	1	
	R884	RK73HB1J100J	MG RESISTOR	10Ω 1/16W J	1	
	R886	RK73HB1J220J	MG RESISTOR	22Ω 1/16W J	1	
	R887	RK73HB1J220J	MG RESISTOR	22Ω 1/16W J	1	
	R888	RK73HB1J000J	MG RESISTOR	0Ω 1/16W J	1	
	R889	RK73HH1J683D	MG RESISTOR	68kΩ 1/16W D	1	
	R890	RK73HH1J683D	MG RESISTOR	68kΩ 1/16W D	1	
	R891	RK73HB1J000J	MG RESISTOR	0Ω 1/16W J	1	
	R3801	RK73HB1J103J	MG RESISTOR	10kΩ 1/16W J	1	
	R3803	RK73HB1J103J	MG RESISTOR	10kΩ 1/16W J	1	
	R3805	RK73HB1J000J	MG RESISTOR	0Ω 1/16W J	1	
	R3806	RK73HB1J101J	MG RESISTOR	100Ω 1/16W J	1	
	R3807	RK73HB1J000J	MG RESISTOR	0Ω 1/16W J	1	
	R3808	RK73HB1J101J	MG RESISTOR	100Ω 1/16W J	1	
	R3809	RK73HB1J103J	MG RESISTOR	10kΩ 1/16W J	1	
	R3813	RK73HB1J432J	MG RESISTOR	4.3kΩ 1/16W J	1	
	R3815	RK73HB1J103J	MG RESISTOR	10kΩ 1/16W J	1	
	R3819	RK73HB1J101J	MG RESISTOR	100Ω 1/16W J	1	
	R3820	RK73HB1J000J	MG RESISTOR	0Ω 1/16W J	1	
	R3821	RK73HB1J101J	MG RESISTOR	100Ω 1/16W J	1	
	R3822	RK73HB1J101J	MG RESISTOR	100Ω 1/16W J	1	
	R3851	RK73GB2A472J	MG RESISTOR	4.7kΩ 1/10W J	1	
	RA791	RK74GB1J301J	NET RESISTOR	300Ω 1/16W J	1	
	RA821	RK74GB1J301J	NET RESISTOR	300Ω 1/16W J	1	
	RA822	RK74GB1J301J	NET RESISTOR	300Ω 1/16W J	1	
	L32	LR79Z0DY100M	CHIP INDUCTOR		1	
	L52	LR79Z0DY100M	CHIP INDUCTOR		1	
	L92	LR79Z0DY100M	CHIP INDUCTOR		1	

MODEL	MARK	MODEL	MARK
DDX6706S	K1	DDX6906S	K0

Safe	Symbol No.	Parts No.	Parts Name	Description	QTY	Local
	L301	LB73G0FK-001	CHIP FERRITE		1	
	L751	LR7920AG100M	CHIP INDUCTOR	10uH	1	
	L871	LR7320AC100K	CHIP INDUCTOR	10uH	1	
	L3803	LB73H0AY-003	CHIP FERRITE		1	
	L3810	LR7320AD100M	CHIP INDUCTOR	10uH	1	
	A381	W0C-0401-00	RF MODULE		1	
	CN1	EA120AP-2004A	W TO B CONNE		1	
	CN201	EA710AT-1004A	W TO B CONNE	4P	1	
	CN251	EA110AP-2004A	W TO B CONNE		1	
	CN301	EA720AT-1008A	W TO B CONNE	8P	1	
	CN601	EB770AX-05C0A	B TO B CONNE	120P	1	
	CN602	EC720AA-0550A	FFC FPC CONNE	50P	1	
	CN603	EC720AA-0560A	FFC FPC CONNE	60P	1	
	CN731	EA120CK-2004A	W TO B CONNE		1	
	CN751	EC710AM-0535A	FFC FPC CONNE	35P	1	
	CN802	EA110AP-2004A	W TO B CONNE		1	
△	F1	FZA10BZ-7R0	FUSE (CC)	63A	1	
△	F721	F53-0513-08	PATTERN FUSE	4A	1	
△	F731	F53-0513-08	PATTERN FUSE	4A	1	
△	F732	F53-0513-08	PATTERN FUSE	4A	1	
△	F751	FZA10BF-1R0	FUSE (CC)	1A	1	
△	F791	F53-0513-08	PATTERN FUSE	4A	1	
△	F801	F53-0513-08	PATTERN FUSE	4A	1	
△	F832	F53-0513-08	PATTERN FUSE	4A	1	
	J601	E1B-0041-00	3.5D PHONE JACK		1	
	J791	E1B-0042-00	3.5D PHONE JACK		1	
	VA734	SDV1005A14//0	VARISTOR		1	
	VA735	SDV1005A14//0	VARISTOR		1	
	VA791	SDV1005A14//0	VARISTOR		1	
	VA792	SDV1005A14//0	VARISTOR		1	
	VA793	SDV1005E18//1	VARISTOR		1	
	VA794	SDV1005E18//1	VARISTOR		1	
	VA823	SDV1005E18//1	VARISTOR		1	
	VA824	SDV1005E18//1	VARISTOR		1	
	VA835	SDV1005E18//1	VARISTOR		1	
	X301	L7J-0058-00	QUARTZ CRYSTAL		1	
	X302	L7J-0099-00	QUARTZ CRYSTAL		1	
	X501	L7J-0026-00	QUARTZ CRYSTAL		1	
AUDIO PWB ASSY (XJ6-127K-0x) <XJ6>						
	IC1	LV5680NPVC-H	MOS IC		1	
	IC41	XC6223B331P-G	ANALOG IC		1	
	IC42	XC6216B852P-G	ANALOG IC		1	
	IC101	JCV8031	IC		1	
	IC115	TC7SH17FUJC	MOS IC		1	
	IC201	TDA7715	ANALOG IC		1	
	IC260	TC74HCT4053FT	MOS IC		1	
	IC261	NJM2794RB2	BIPOLAR IC		1	
	IC301	XC6223B331P-G	ANALOG IC		1	
	IC511	TC7SET32FUJC	MOS IC		1	
	IC512	TC7SH17FUJC	MOS IC		1	
	IC601	NJW1240V	MOS IC		1	K0
	IC1101	NJM2746V	ANALOG IC		1	K0
	IC1102	NJM2746V	ANALOG IC		1	K0
	Q31	LSCR523EBFS8	TRANSISTOR		1	
	Q32	LSAR523EBFS8	TRANSISTOR		1	
	Q51	LSCR523EBFS8	TRANSISTOR		1	
	Q80	LTA014YEBFS8	DIGI TRANSISTOR		1	
	Q81	LSAR523EBFS8	TRANSISTOR		1	
	Q82	LSCR523EBFS8	TRANSISTOR		1	
	Q90	LTC024EEBFS8	DIGI TRANSISTOR		1	
	Q96	LSCR523EBFS8	TRANSISTOR		1	
	Q151	LTC014YEBFS8	DIGI TRANSISTOR		1	
	Q152	LTA043ZEBFS8	DIGI TRANSISTOR		1	
	Q155	LTC014YEBFS8	DIGI TRANSISTOR		1	
	Q156	LTA043ZEBFS8	DIGI TRANSISTOR		1	
	Q161	LTC043TEBFS8	DIGI TRANSISTOR		1	
	Q162	LTC043TEBFS8	DIGI TRANSISTOR		1	
	Q163	LTC043TEBFS8	DIGI TRANSISTOR		1	
	Q164	LTC043TEBFS8	DIGI TRANSISTOR		1	
	Q165	LTC043TEBFS8	DIGI TRANSISTOR		1	
	Q191	LTA043ZEBFS8	DIGI TRANSISTOR		1	
	Q193	LTC043TEBFS8	DIGI TRANSISTOR		1	
	Q194	LTC043TEBFS8	DIGI TRANSISTOR		1	
	D1	1N5402-BPC07	DIODE		1	
	D11	RB161MM-20	SCHOTTKY DIODE		1	
	D32	UDZV11B	ZENER DIODE		1	
	D41	GS1J-LTP	DIODE		1	
	D42	GS1J-LTP	DIODE		1	
	D43	GS1J-LTP	DIODE		1	
	D44	GS1J-LTP	DIODE		1	
	D55	UDZV6.2B	ZENER DIODE		1	
	D71	DAP202UM	DIODE		1	
	D80	1SS355VM	DIODE		1	
	D90	1SS355VM	DIODE		1	
	D96	UDZV16B	ZENER DIODE		1	
	D101	DAP202UM	DIODE		1	
	D151	DAP202UM	DIODE		1	
	D155	DAP202UM	DIODE		1	
	D191	DAP202UM	DIODE		1	
	D202	1SS355VM	DIODE		1	
	D203	DAP202UM	DIODE		1	
	D204	DAP202UM	DIODE		1	

MODEL	MARK	MODEL	MARK
DDX6706S	K1	DDX6906S	K0

Safe	Symbol No.	Parts No.	Parts Name	Description	QTY	Local
	D205	DAP202UM	DIODE		1	
	D260	1SS355VM	DIODE		1	
	D261	UDZV4.7B	ZENER DIODE		1	
	D302	GS1J-LTP	DIODE		1	
	C1	CD04AZ1C332M2	E CAPACITOR	3300uF 16V M	1	K1
	C1	CD04EW1C332M2	E CAPACITOR	3300uF 16V 2	1	K0
	C11	CE32CB1V101M	E CAPACITOR	100uF 35V M	1	
	C12	CK73HXR1H103K	C CAPACITOR	0.01uF 50V K	1	
	C13	CE32CB1C470M	E CAPACITOR	47uF 16V M	1	
	C14	CE32CB1C470M	E CAPACITOR	47uF 16V M	1	
	C15	CE32CB1A101M	E CAPACITOR	100uF 10V M	1	
	C16	CE32CC1C221M	E CAPACITOR	220uF 16V M	1	
	C18	CK73FXR1E106K	C CAPACITOR	10uF 25V K	1	
	C19	CK73FXR1E106K	C CAPACITOR	10uF 25V K	1	
	C20	CE32CC1C221M	E CAPACITOR	220uF 16V M	1	
	C21	CK73HXR1H104K	C CAPACITOR	0.1uF 50V K	1	
	C23	CK73HXR1C105K	C CAPACITOR	1uF 16V K	1	
	C24	CK73HXR1E104K	C CAPACITOR	0.1uF 25V K	1	
	C25	CK73HXR1C224K	C CAPACITOR	0.22uF 16V K	1	
	C26	CK73HXR1A104K	C CAPACITOR	0.1uF 10V K	1	
	C27	CE32CC1C221M	E CAPACITOR	220uF 16V M	1	
	C31	CK73HXR1H104K	C CAPACITOR	0.1uF 50V K	1	
	C32	CK73HXR1E333K	C CAPACITOR	0.033uF 25V K	1	
	C41	CK73GXR1E225K	C CAPACITOR	2.2uF 25V K	1	
	C42	CK73GXR1E225K	C CAPACITOR	2.2uF 25V K	1	
	C43	CK73GXR1E225K	C CAPACITOR	2.2uF 25V K	1	
	C44	CK73GXR1E225K	C CAPACITOR	2.2uF 25V K	1	
	C51	CK73HXR1H103K	C CAPACITOR	0.01uF 50V K	1	
	C52	CK73HXR1C105K	C CAPACITOR	1uF 16V K	1	
	C71	CK73HXR1H104K	C CAPACITOR	0.1uF 50V K	1	
	C80	CK73GXR1E225K	C CAPACITOR	2.2uF 25V K	1	
	C90	CK73HXR1H103K	C CAPACITOR	0.01uF 50V K	1	
	C96	CK73HXR1H103K	C CAPACITOR	0.01uF 50V K	1	
	C97	CK73HXR1H103K	C CAPACITOR	0.01uF 50V K	1	
	C100	CE32CB1C100M	E CAPACITOR	10uF 16V M	1	
	C101	CK73HXR1E474K	C CAPACITOR	0.47uF 25V K	1	
	C102	CK73HXR1E474K	C CAPACITOR	0.47uF 25V K	1	
	C103	CK73HXR1E474K	C CAPACITOR	0.47uF 25V K	1	
	C104	CK73HXR1E474K	C CAPACITOR	0.47uF 25V K	1	
	C105	CC73HCH1H050C	C CAPACITOR	5pF 50V C	1	
	C106	CC73HCH1H050C	C CAPACITOR	5pF 50V C	1	
	C109	CK73HXR1E474K	C CAPACITOR	0.47uF 25V K	1	
	C110	CK73HXR1E474K	C CAPACITOR	0.47uF 25V K	1	
	C111	CK73HXR1E474K	C CAPACITOR	0.47uF 25V K	1	
	C112	CK73HXR1E474K	C CAPACITOR	0.47uF 25V K	1	
	C113	CK73HXR1E474K	C CAPACITOR	0.47uF 25V K	1	
	C114	CK73HXR1E474K	C CAPACITOR	0.47uF 25V K	1	
	C115	CK73HXR1A104K	C CAPACITOR	0.1uF 10V K	1	
	C121	CK73HXR1H102K	C CAPACITOR	1000pF 50V K	1	
	C122	CK73HXR1H102K	C CAPACITOR	1000pF 50V K	1	
	C123	CK73HXR1H102K	C CAPACITOR	1000pF 50V K	1	
	C124	CK73HXR1H102K	C CAPACITOR	1000pF 50V K	1	
	C125	CK73HXR1H102K	C CAPACITOR	1000pF 50V K	1	
	C126	CK73HXR1H102K	C CAPACITOR	1000pF 50V K	1	
	C127	CK73HXR1H102K	C CAPACITOR	1000pF 50V K	1	
	C128	CK73HXR1H102K	C CAPACITOR	1000pF 50V K	1	
	C131	CC73HCH1H221J	C CAPACITOR	220pF 50V J	1	
	C132	CC73HCH1H221J	C CAPACITOR	220pF 50V J	1	
	C133	CC73HCH1H221J	C CAPACITOR	220pF 50V J	1	
	C134	CC73HCH1H221J	C CAPACITOR	220pF 50V J	1	
	C135	CC73HCH1H221J	C CAPACITOR	220pF 50V J	1	
	C136	CC73HCH1H221J	C CAPACITOR	220pF 50V J	1	
	C137	CC73HCH1H221J	C CAPACITOR	220pF 50V J	1	
	C138	CC73HCH1H221J	C CAPACITOR	220pF 50V J	1	
	C145	CK73HXR1C105K	C CAPACITOR	1uF 16V K	1	
	C146	CK73HXR1C105K	C CAPACITOR	1uF 16V K	1	
	C151	CE32CB1C100M	E CAPACITOR	10uF 16V M	1	
	C152	CE32CB1C100M	E CAPACITOR	10uF 16V M	1	
	C153	CK73EXR1E106K	C CAPACITOR	10uF 25V K	1	
	C154	CK73EXR1E106K	C CAPACITOR	10uF 25V K	1	
	C155	CK73EXR1E106K	C CAPACITOR	10uF 25V K	1	
	C171	CK73HXR1H102K	C CAPACITOR	1000pF 50V K	1	
	C172	CK73HXR1H102K	C CAPACITOR	1000pF 50V K	1	
	C173	CK73HXR1H102K	C CAPACITOR	1000pF 50V K	1	
	C174	CK73HXR1H102K	C CAPACITOR	1000pF 50V K	1	
	C175	CK73HXR1H102K	C CAPACITOR	1000pF 50V K	1	
	C177	CK73HXR1H102K	C CAPACITOR	1000pF 50V K	1	
	C191	CK73EXR1E106K	C CAPACITOR	10uF 25V K	1	
	C192	CK73EXR1E106K	C CAPACITOR	10uF 25V K	1	
	C195	CK73HXR1H102K	C CAPACITOR	1000pF 50V K	1	
	C196	CK73HXR1H102K	C CAPACITOR	1000pF 50V K	1	
	C197	CK73HXR1H102K	C CAPACITOR	1000pF 50V K	1	
	C201	CE32CB1C470M	E CAPACITOR	47uF 16V M	1	
	C202	CK73HXR1H103K	C CAPACITOR	0.01uF 50V K	1	
	C203	CK73HXR1H103K	C CAPACITOR	0.01uF 50V K	1	
	C204	CK73FXR1E106K	C CAPACITOR	10uF 25V K	1	
	C205	CK73HXR1C105K	C CAPACITOR	1uF 16V K	1	K1
	C206	CK73HXR1C105K	C CAPACITOR	1uF 16V K	1	
	C207	CK73HXR0J474K	C CAPACITOR	0.47uF 6.3V K	1	
	C208	CK73HXR1C105K	C CAPACITOR	1uF 16V K	1	
	C209	CK73HXR0J474K	C CAPACITOR	0.47uF 6.3V K	1	
	C211	CK73HXR1C105K	C CAPACITOR	1uF 16V K	1	

MODEL	MARK	MODEL	MARK
DDX6706S	K1	DDX6906S	K0

Safe	Symbol No.	Parts No.	Parts Name	Description	QTY	Local
	C212	CK73HXR1C105K	C CAPACITOR	1uF 16V K	1	
	C215	CK73HXR1C105K	C CAPACITOR	1uF 16V K	1	
	C216	CK73HXR1C105K	C CAPACITOR	1uF 16V K	1	
	C217	CK73HXR1C105K	C CAPACITOR	1uF 16V K	1	
	C218	CK73HXR1C105K	C CAPACITOR	1uF 16V K	1	
	C219	CK73HXR1C105K	C CAPACITOR	1uF 16V K	1	
	C220	CK73HXR1C105K	C CAPACITOR	1uF 16V K	1	
	C223	CK73HXR1C105K	C CAPACITOR	1uF 16V K	1	
	C224	CK73HXR1C105K	C CAPACITOR	1uF 16V K	1	
	C225	CK73FXR1E106K	C CAPACITOR	10uF 25V K	1	
	C227	CK73HXR1C105K	C CAPACITOR	1uF 16V K	1	
	C228	CK73HXR1C105K	C CAPACITOR	1uF 16V K	1	
	C229	CK73FXR1E106K	C CAPACITOR	10uF 25V K	1	
	C234	CK73HXR1H103K	C CAPACITOR	0.01uF 50V K	1	
	C235	CK73HXR1H103K	C CAPACITOR	0.01uF 50V K	1	
	C264	CK73HXR1H102K	C CAPACITOR	1000pF 50V K	1	
	C265	CK73HXR1H102K	C CAPACITOR	1000pF 50V K	1	
	C266	CK73HXR1H102K	C CAPACITOR	1000pF 50V K	1	
	C267	CK73FXR1E106K	C CAPACITOR	10uF 25V K	1	
	C268	CK73HXR1E104K	C CAPACITOR	0.1uF 25V K	1	
	C272	CK73GXR1E225K	C CAPACITOR	2.2uF 25V K	1	
	C273	CK73GXR1E225K	C CAPACITOR	2.2uF 25V K	1	
	C274	CK73GXR1E225K	C CAPACITOR	2.2uF 25V K	1	
	C275	CK73HXR1C105K	C CAPACITOR	1uF 16V K	1	
	C276	CK73HXR1C105K	C CAPACITOR	1uF 16V K	1	
	C277	CK73HXR1C105K	C CAPACITOR	1uF 16V K	1	
	C278	CK73HXR1C105K	C CAPACITOR	1uF 16V K	1	
	C279	CK73HXR1H103K	C CAPACITOR	0.01uF 50V K	1	
	C280	CK73FXR1E106K	C CAPACITOR	10uF 25V K	1	
	C281	CK73FXR1E106K	C CAPACITOR	10uF 25V K	1	
	C282	CK73FXR1E106K	C CAPACITOR	10uF 25V K	1	
	C283	CK73HXR1H102K	C CAPACITOR	1000pF 50V K	1	
	C284	CK73HXR1H102K	C CAPACITOR	1000pF 50V K	1	
	C285	CK73HXR1H102K	C CAPACITOR	1000pF 50V K	1	
	C286	CK73FXR1E106K	C CAPACITOR	10uF 25V K	1	
	C302	CK73GXR1E225K	C CAPACITOR	2.2uF 25V K	1	
	C303	CK73HXR1A104K	C CAPACITOR	0.1uF 10V K	1	
	C304	CK73HXR1H102K	C CAPACITOR	1000pF 50V K	1	
	C305	CK73HXR1A104K	C CAPACITOR	0.1uF 10V K	1	
	C306	CK73GXR1A106K	C CAPACITOR	10uF 10V K	1	
	C308	CK73HXR1A104K	C CAPACITOR	0.1uF 10V K	1	
	C309	CK73HXR1H103K	C CAPACITOR	0.01uF 50V K	1	
	C321	CK73HXR1A104K	C CAPACITOR	0.1uF 10V K	1	
	C322	CK73HXR1H103K	C CAPACITOR	0.01uF 50V K	1	
	C501	CK73GXR1E225K	C CAPACITOR	2.2uF 25V K	1	
	C502	CK73GXR1E225K	C CAPACITOR	2.2uF 25V K	1	
	C503	CK73GXR1E225K	C CAPACITOR	2.2uF 25V K	1	
	C511	CK73HXR1A104K	C CAPACITOR	0.1uF 10V K	1	
	C512	CK73HXR1A104K	C CAPACITOR	0.1uF 10V K	1	
	C601	CE32CB1C100M	E CAPACITOR	10uF 16V M	1	K0
	C602	CE32CB1C100M	E CAPACITOR	10uF 16V M	1	K0
	C603	CK73EXR1E106K	C CAPACITOR	10uF 25V K	1	K0
	C604	CK73EXR1E106K	C CAPACITOR	10uF 25V K	1	K0
	C605	CK73EXR1E106K	C CAPACITOR	10uF 25V K	1	K0
	C610	CK73FXR1E106K	C CAPACITOR	10uF 25V K	1	K0
	C611	CK73HXR1H103K	C CAPACITOR	0.01uF 50V K	1	K0
	C612	CK73HXR1C105K	C CAPACITOR	1uF 16V K	1	K0
	C613	CK73HXR1C105K	C CAPACITOR	1uF 16V K	1	K0
	C614	CK73HXR1C105K	C CAPACITOR	1uF 16V K	1	K0
	C616	CK73HXR1C105K	C CAPACITOR	1uF 16V K	1	K0
	C618	CK73HXR1C105K	C CAPACITOR	1uF 16V K	1	K0
	C619	CK73HXR1H102K	C CAPACITOR	1000pF 50V K	1	K0
	C711	CK73GXR1C475K	C CAPACITOR	4.7uF 16V K	1	K1
	C712	CK73GXR1C475K	C CAPACITOR	4.7uF 16V K	1	K1
	C713	CK73GXR1C475K	C CAPACITOR	4.7uF 16V K	1	K1
	C714	CK73GXR1C475K	C CAPACITOR	4.7uF 16V K	1	K1
	C715	CK73GXR1C475K	C CAPACITOR	4.7uF 16V K	1	
	C716	CK73GXR1C475K	C CAPACITOR	4.7uF 16V K	1	
	C721	CK73GXR1C475K	C CAPACITOR	4.7uF 16V K	1	
	C722	CK73GXR1C475K	C CAPACITOR	4.7uF 16V K	1	
	C1204	CB73QAD1C106M	FILM CAPACITOR	10uF 16V M	1	K0
	C1711	CB73QAD1C106M	FILM CAPACITOR	10uF 16V M	1	K0
	C1712	CB73QAD1C106M	FILM CAPACITOR	10uF 16V M	1	K0
	C1713	CB73QAD1C106M	FILM CAPACITOR	10uF 16V M	1	K0
	C1714	CB73QAD1C106M	FILM CAPACITOR	10uF 16V M	1	K0
	R15	RK73HH1J273D	MG RESISTOR	27kΩ 1/16W D	1	
	R17	RK73HH1J472D	MG RESISTOR	4.7kΩ 1/16W D	1	
	R18	RK73HB1J101J	MG RESISTOR	100Ω 1/16W J	1	
	R19	RK73HB1J101J	MG RESISTOR	100Ω 1/16W J	1	
	R23	RK73FB2B000J	MG RESISTOR	0Ω 1/8W J	1	
	R24	RK73FB2B000J	MG RESISTOR	0Ω 1/8W J	1	
	R25	RK73FB2B000J	MG RESISTOR	0Ω 1/8W J	1	
	R27	RK73FB2B000J	MG RESISTOR	0Ω 1/8W J	1	
	R31	RK73EB2E622J	MG RESISTOR	6.2kΩ 1/4W J	1	
	R32	RK73EB2E622J	MG RESISTOR	6.2kΩ 1/4W J	1	
	R33	RK73HH1J753D	MG RESISTOR	75kΩ 1/16W D	1	
	R34	RK73HH1J104D	MG RESISTOR	100kΩ 1/16W D	1	
	R35	RK73HH1J474D	MG RESISTOR	470kΩ 1/16W D	1	
	R36	RK73HB1J224J	MG RESISTOR	220kΩ 1/16W J	1	
	R37	RK73EB2E153J	MG RESISTOR	15kΩ 1/4W J	1	
	R38	RK73GB2A101J	MG RESISTOR	100Ω 1/10W J	1	
	R41	RK73FB2B472J	MG RESISTOR	4.7kΩ 1/8W J	1	
	R42	RK73FB2B472J	MG RESISTOR	4.7kΩ 1/8W J	1	

MODEL		MARK		MODEL		MARK	
DDX6706S		K1		DDX6906S		K0	
Safe	Symbol No.	Parts No.	Parts Name	Description	QTY	Local	
	R50	RK73HB1J223J	MG RESISTOR	22kΩ 1/16W J	1		
	R51	RK73GB2A472J	MG RESISTOR	4.7kΩ 1/10W J	1		
	R52	RK73GB2A472J	MG RESISTOR	4.7kΩ 1/10W J	1		
	R53	RK73GB2A223J	MG RESISTOR	22kΩ 1/10W J	1		
	R54	RK73HB1J333J	MG RESISTOR	33kΩ 1/16W J	1		
	R55	RK73GB2A152J	MG RESISTOR	1.5kΩ 1/10W J	1		
	R68	RK73HB1J223J	MG RESISTOR	22kΩ 1/16W J	1		
	R72	RK73HB1J123J	MG RESISTOR	12kΩ 1/16W J	1		
	R73	RK73HB1J683J	MG RESISTOR	68kΩ 1/16W J	1		
	R74	RK73HB1J103J	MG RESISTOR	10kΩ 1/16W J	1		
	R80	RK73HB1J471J	MG RESISTOR	470Ω 1/16W J	1		
	R81	RK73HB1J473J	MG RESISTOR	47kΩ 1/16W J	1		
	R82	RK73FB2B103J	MG RESISTOR	10kΩ 1/8W J	1		
	R83	RK73HB1J223J	MG RESISTOR	22kΩ 1/16W J	1		
	R84	RK73HB1J473J	MG RESISTOR	47kΩ 1/16W J	1		
	R90	RK73GB2A272J	MG RESISTOR	2.7kΩ 1/10W J	1		
	R91	RK73HB1J102J	MG RESISTOR	1kΩ 1/16W J	1		
	R96	RK73FB2B752J	MG RESISTOR	7.5kΩ 1/8W J	1		
	R97	RK73HB1J753J	MG RESISTOR	75kΩ 1/16W J	1		
	R98	RK73HB1J223J	MG RESISTOR	22kΩ 1/16W J	1		
	R100	RK73HB1J473J	MG RESISTOR	47kΩ 1/16W J	1		
	R101	RK73HB1J000J	MG RESISTOR	0Ω 1/16W J	1	K1	
	R101	RK73HH1J680D	MG RESISTOR	68Ω 1/16W D	1	K0	
	R102	RK73HB1J000J	MG RESISTOR	0Ω 1/16W J	1	K1	
	R102	RK73HH1J680D	MG RESISTOR	68Ω 1/16W D	1	K0	
	R103	RK73HB1J000J	MG RESISTOR	0Ω 1/16W J	1	K1	
	R103	RK73HH1J680D	MG RESISTOR	68Ω 1/16W D	1	K0	
	R104	RK73HB1J000J	MG RESISTOR	0Ω 1/16W J	1	K1	
	R104	RK73HH1J680D	MG RESISTOR	68Ω 1/16W D	1	K0	
	R115	RK73HB1J101J	MG RESISTOR	100Ω 1/16W J	1		
	R142	RK73HB1J331J	MG RESISTOR	330Ω 1/16W J	1		
	R143	RK73HB1J223J	MG RESISTOR	22kΩ 1/16W J	1		
	R144	RK73HB1J751J	MG RESISTOR	750Ω 1/16W J	1	K1	
	R144	RK73HB1J432J	MG RESISTOR	4.3kΩ 1/16W J	1	K0	
	R145	RK73HB1J333J	MG RESISTOR	33kΩ 1/16W J	1		
	R146	RK73HB1J3R0J	MG RESISTOR	3Ω 1/16W J	1		
	R146	RK73HB1J1R0J	MG RESISTOR	1Ω 1/16W J	1	K0	
	R147	RK73HB1J000J	MG RESISTOR	0Ω 1/16W J	1		
	R148	RK73HB1J000J	MG RESISTOR	0Ω 1/16W J	1		
	R151	RK73HB1J471J	MG RESISTOR	470Ω 1/16W J	1		
	R152	RK73HB1J471J	MG RESISTOR	470Ω 1/16W J	1		
	R153	RK73HB1J471J	MG RESISTOR	470Ω 1/16W J	1		
	R154	RK73HB1J471J	MG RESISTOR	470Ω 1/16W J	1		
	R155	RK73HB1J471J	MG RESISTOR	470Ω 1/16W J	1		
	R156	RK73HB1J473J	MG RESISTOR	47kΩ 1/16W J	1		
	R157	RK73HB1J000J	MG RESISTOR	0Ω 1/16W J	1		
	R159	RK73HB1J473J	MG RESISTOR	47kΩ 1/16W J	1		
	R161	RK73HB1J223J	MG RESISTOR	22kΩ 1/16W J	1		
	R162	RK73HB1J223J	MG RESISTOR	22kΩ 1/16W J	1		
	R163	RK73HB1J223J	MG RESISTOR	22kΩ 1/16W J	1		
	R164	RK73HB1J223J	MG RESISTOR	22kΩ 1/16W J	1		
	R165	RK73HB1J223J	MG RESISTOR	22kΩ 1/16W J	1		
	R171	RK73GB2A101J	MG RESISTOR	100Ω 1/10W J	1		
	R172	RK73GB2A101J	MG RESISTOR	100Ω 1/10W J	1		
	R173	RK73GB2A101J	MG RESISTOR	100Ω 1/10W J	1		
	R174	RK73GB2A101J	MG RESISTOR	100Ω 1/10W J	1		
	R175	RK73GB2A101J	MG RESISTOR	100Ω 1/10W J	1		
	R181	RK73HB1J000J	MG RESISTOR	0Ω 1/16W J	1	K1	
	R182	RK73HB1J000J	MG RESISTOR	0Ω 1/16W J	1	K1	
	R183	RK73HB1J000J	MG RESISTOR	0Ω 1/16W J	1	K1	
	R184	RK73HB1J000J	MG RESISTOR	0Ω 1/16W J	1	K1	
	R185	RK73HB1J000J	MG RESISTOR	0Ω 1/16W J	1	K1	
	R191	RK73HB1J471J	MG RESISTOR	470Ω 1/16W J	1		
	R192	RK73HB1J471J	MG RESISTOR	470Ω 1/16W J	1		
	R193	RK73HB1J223J	MG RESISTOR	22kΩ 1/16W J	1		
	R194	RK73HB1J223J	MG RESISTOR	22kΩ 1/16W J	1		
	R195	RK73GB2A101J	MG RESISTOR	100Ω 1/10W J	1		
	R196	RK73GB2A101J	MG RESISTOR	100Ω 1/10W J	1		
	R201	RK73GB2A2R2J	MG RESISTOR	2.2Ω 1/10W J	1		
	R202	RK73HB1J102J	MG RESISTOR	1kΩ 1/16W J	1		
	R204	RK73HB1J103J	MG RESISTOR	10kΩ 1/16W J	1		
	R205	RK73HB1J101J	MG RESISTOR	100Ω 1/16W J	1		
	R206	RK73HB1J101J	MG RESISTOR	100Ω 1/16W J	1		
	R209	RK73HB1J101J	MG RESISTOR	100Ω 1/16W J	1		
	R264	RK73HB1J473J	MG RESISTOR	47kΩ 1/16W J	1		
	R265	RK73HB1J473J	MG RESISTOR	47kΩ 1/16W J	1		
	R266	RK73HB1J473J	MG RESISTOR	47kΩ 1/16W J	1		
	R274	RK73HB1J473J	MG RESISTOR	47kΩ 1/16W J	1		
	R275	RK73HB1J473J	MG RESISTOR	47kΩ 1/16W J	1		
	R276	RK73HB1J473J	MG RESISTOR	47kΩ 1/16W J	1		
	R279	RK73HB1J473J	MG RESISTOR	47kΩ 1/16W J	1		
	R280	RK73HB1J473J	MG RESISTOR	47kΩ 1/16W J	1		
	R281	RK73HB1J473J	MG RESISTOR	47kΩ 1/16W J	1		
	R283	RK73HB1J473J	MG RESISTOR	47kΩ 1/16W J	1		
	R284	RK73HB1J473J	MG RESISTOR	47kΩ 1/16W J	1		
	R285	RK73HB1J473J	MG RESISTOR	47kΩ 1/16W J	1		
	R290	RK73HB1J102J	MG RESISTOR	1kΩ 1/16W J	1		
	R291	RK73HB1J222J	MG RESISTOR	2.2kΩ 1/16W J	1		
	R293	RK73GB2A2R2J	MG RESISTOR	2.2Ω 1/10W J	1		
	R294	RK73HB1J473J	MG RESISTOR	47kΩ 1/16W J	1		
	R301	RK73HB1J473J	MG RESISTOR	47kΩ 1/16W J	1		
	R500	RK73EB2E000J	MG RESISTOR	0Ω 1/4W J	1		

MODEL	MARK	MODEL	MARK
DDX6706S	K1	DDX6906S	K0

Safe	Symbol No.	Parts No.	Parts Name	Description	QTY	Local
	R501	RK73GB2A100J	MG RESISTOR	10Ω 1/10W J	1	
	R502	RK73GB2A100J	MG RESISTOR	10Ω 1/10W J	1	
	R503	RK73GB2A100J	MG RESISTOR	10Ω 1/10W J	1	
	R511	RK73GB2A101J	MG RESISTOR	100Ω 1/10W J	1	
	R512	RK73GB2A101J	MG RESISTOR	100Ω 1/10W J	1	
	R513	RK73GB2A101J	MG RESISTOR	100Ω 1/10W J	1	
	R514	RK73HB1J2R2J	MG RESISTOR	2.2Ω 1/16W J	1	
	R515	RK73HB1J272J	MG RESISTOR	2.7kΩ 1/16W J	1	
	R516	RK73HB1J473J	MG RESISTOR	47kΩ 1/16W J	1	
	R517	RK73HB1J272J	MG RESISTOR	2.7kΩ 1/16W J	1	
	R581	RK73HB1J100J	MG RESISTOR	10Ω 1/16W J	1	
	R582	RK73HB1J100J	MG RESISTOR	10Ω 1/16W J	1	
	R583	RK73HB1J100J	MG RESISTOR	10Ω 1/16W J	1	
	R611	RK73GB2A2R2J	MG RESISTOR	2.2Ω 1/10W J	1	K0
	R612	RK73HB1J103J	MG RESISTOR	10kΩ 1/16W J	1	K0
	R614	RK73HB1J102J	MG RESISTOR	1kΩ 1/16W J	1	K0
	R615	RK73HB1J100J	MG RESISTOR	10Ω 1/16W J	1	K0
	R616	RK73HB1J684J	MG RESISTOR	680kΩ 1/16W J	1	K0
	R787	RK73HB1J104J	MG RESISTOR	100kΩ 1/16W J	1	
	R1101	RK73HB1J000J	MG RESISTOR	0Ω 1/16W J	1	K1
	R1101	RK73HH1J680D	MG RESISTOR	68Ω 1/16W D	1	K0
	R1102	RK73HB1J000J	MG RESISTOR	0Ω 1/16W J	1	K1
	R1102	RK73HH1J680D	MG RESISTOR	68Ω 1/16W D	1	K0
	R1103	RK73HB1J000J	MG RESISTOR	0Ω 1/16W J	1	K1
	R1103	RK73HH1J680D	MG RESISTOR	68Ω 1/16W D	1	K0
	R1104	RK73HB1J000J	MG RESISTOR	0Ω 1/16W J	1	K1
	R1104	RK73HH1J680D	MG RESISTOR	68Ω 1/16W D	1	K0
	R1111	RK73HB1J120J	MG RESISTOR	12Ω 1/16W J	1	K1
	R1112	RK73HB1J120J	MG RESISTOR	12Ω 1/16W J	1	K1
	R1113	RK73HB1J120J	MG RESISTOR	12Ω 1/16W J	1	K1
	R1114	RK73HB1J120J	MG RESISTOR	12Ω 1/16W J	1	K1
	R1146	RK73HB1J000J	MG RESISTOR	0Ω 1/16W J	1	K1
	R1146	RK73HH1J160D	MG RESISTOR	16Ω 1/16W D	1	K0
	L1	L3D-0053-00	CHOCO COIL		1	
	L301	LR73Z0AD4R7M	CHIP INDUCTOR	4.7uH	1	
	L601	LK73G0AQ1R0K	M.CHIP INDUCTOR	1uH	1	K0
	CN201	EC720AA-0560A	FFC FPC CONNE	60P	1	
	CN301	EC720AA-0550A	FFC FPC CONNE	50P	1	
	CN302	EA110AP-2004A	W TO B CONNE		1	
△	F6	F53-0513-08	PATTERN FUSE	4A	1	
△	F7	F53-0513-08	PATTERN FUSE	4A	1	
△	F171	F53-0513-08	PATTERN FUSE	4A	1	
△	F191	F53-0513-08	PATTERN FUSE	4A	1	
△	F581	F53-0513-08	PATTERN FUSE	4A	1	
	J1	E5J-0022-00	R.RECEPTACLE	24P	1	
	J151	E6D-0025-00	PIN JACK		1	K1
	J151	E6D-0027-00	PIN JACK		1	K0
	J191	E1B-0041-00	3.5D PHONE JACK		1	
	J501	E5G-0029-00	CYL.RECEPTACLE		1	
	J581	E1B-0041-00	3.5D PHONE JACK		1	
	VA52	SDV1005E18//2	VARISTOR		1	
	VA60	SDV1005E18//2	VARISTOR		1	
	VA62	SDV1005E18//2	VARISTOR		1	
	VA72	SDV1005E18//2	VARISTOR		1	
	VA74	SDV1005E18//2	VARISTOR		1	
	VA75	SDV1005E18//2	VARISTOR		1	
	VA96	SDV1005E18//2	VARISTOR		1	
	VA171	SDV1005A14//0	VARISTOR		1	
	VA172	SDV1005A14//0	VARISTOR		1	
	VA173	SDV1005A14//0	VARISTOR		1	
	VA174	SDV1005A14//0	VARISTOR		1	
	VA175	SDV1005A14//0	VARISTOR		1	
	VA177	SDV1005A14//0	VARISTOR		1	
	VA195	SDV1005A14//0	VARISTOR		1	
	VA196	SDV1005A14//0	VARISTOR		1	
	VA197	SDV1005A14//0	VARISTOR		1	
	VA301	FOK-0010-00	SURGE ABSORBER		1	
	VA501	SDV1005A14//0	VARISTOR		1	
	VA502	SDV1005A14//0	VARISTOR		1	
	VA503	SDV1005A14//0	VARISTOR		1	
	VA511	SDV1005E18//2	VARISTOR		1	
	VA512	SDV1005E18//2	VARISTOR		1	
	VA513	SDV1005E18//2	VARISTOR		1	
	VA581	SDV1005A14//0	VARISTOR		1	
	VA582	SDV1005A14//0	VARISTOR		1	
	VA583	SDV1005A14//0	VARISTOR		1	
	W301	E3A-0388-00	ANTENNA CABLE		1	
VIDEO PWB ASSY (XJ8-046K-01) <XJ8>						
	IC100	W3F-0461-00	MCU IC		1	
	IC102	BU4228F	ANALOG IC		1	
	IC103	XC6223B331P-G	ANALOG IC		1	
	IC105	74AHC1G32GW	MOS IC		1	
	IC106	TC7SH17FUF	MOS IC		1	
	IC200	LM3481MMXNOPB	ANALOG IC		1	
	IC201	TC7SH17FUF	MOS IC		1	
	IC202	XC6213B332N-G	MOS IC		1	
	IC300	NJM11100F1	ANALOG IC		1	
	IC600	PICA38603-NV	IR DETECT UNIT		1	
	Q100	LTC014YEBFS8	DIGI TRANSISTOR		1	
	Q101	LTC014YEBFS8	DIGI TRANSISTOR		1	
	Q200	LTA043ZEBFS8	DIGI TRANSISTOR		1	
	Q201	LSAR523UBFS8	TRANSISTOR		1	

MODEL	MARK	MODEL	MARK
DDX6706S	K1	DDX6906S	K0

Safe	Symbol No.	Parts No.	Parts Name	Description	QTY	Local
	Q202	RTQ035N03	FET		1	
	Q203	LSAR523UBFS8	TRANSISTOR		1	
	Q204	LSCR523UBFS8	TRANSISTOR		1	
	Q205	LSCR523UBFS8	TRANSISTOR		1	
	Q206	LSCR523UBFS8	TRANSISTOR		1	
	Q207	LSAR523UBFS8	TRANSISTOR		1	
	Q208	LSCR523UBFS8	TRANSISTOR		1	
	Q209	LSCR523UBFS8	TRANSISTOR		1	
	Q210	LSCR523UBFS8	TRANSISTOR		1	
	Q211	LSCR523UBFS8	TRANSISTOR		1	
	Q212	LSCR523UBFS8	TRANSISTOR		1	
	Q213	LTC043ZEBFS8	DIGI TRANSISTOR		1	
	Q214	LTC043ZEBFS8	DIGI TRANSISTOR		1	
	Q300	LSCR523UBFS8	TRANSISTOR		1	
	Q301	LSCR523UBFS8	TRANSISTOR		1	
	Q302	LSAR523UBFS8	TRANSISTOR		1	
	Q303	LTA014YEBFS8	DIGI TRANSISTOR		1	
	Q304	LTA014EEBFS8	DIGI TRANSISTOR		1	
	Q305	LTC014YEBFS8	DIGI TRANSISTOR		1	
	Q306	LTC014YEBFS8	DIGI TRANSISTOR		1	
	Q307	LSAR523UBFS8	TRANSISTOR		1	
	Q308	LSCR523UBFS8	TRANSISTOR		1	
	Q309	LSCR523UBFS8	TRANSISTOR		1	
	Q310	LTA014YEBFS8	DIGI TRANSISTOR		1	
	Q311	LTC014YEBFS8	DIGI TRANSISTOR		1	
	Q313	LSCR523UBFS8	TRANSISTOR		1	
	Q400	LSCR523UBFS8	TRANSISTOR		1	
	Q401	LSAR523UBFS8	TRANSISTOR		1	
	Q402	LTC014YEBFS8	DIGI TRANSISTOR		1	
	Q403	LTC014YEBFS8	DIGI TRANSISTOR		1	
	Q404	LTC014YEBFS8	DIGI TRANSISTOR		1	
	Q405	LTC014YEBFS8	DIGI TRANSISTOR		1	
	Q500	2SC5585	TRANSISTOR		1	
	Q501	2SC5585	TRANSISTOR		1	
	Q502	2SA2018	TRANSISTOR		1	
	Q503	2SA2018	TRANSISTOR		1	
	Q504	LTA014YEBFS8	DIGI TRANSISTOR		1	
	Q505	LSCR523UBFS8	TRANSISTOR		1	
	Q506	LSCR523UBFS8	TRANSISTOR		1	
	Q750	LSCR523UBFS8	TRANSISTOR		1	
	Q751	LSCR523UBFS8	TRANSISTOR		1	
	Q752	LSCR523UBFS8	TRANSISTOR		1	
	D100	RB521S-30	SCHOTTKY DIODE		1	
	D200	SJPB-L4	SCHOTTKY DIODE		1	
	D201	DA2J101	DIODE		1	
	D202	DA2J101	DIODE		1	
	D205	RB162M-60	SCHOTTKY DIODE		1	
	D206	RB162M-60	SCHOTTKY DIODE		1	
	D705	MC2850-1	DIODE ARRAY		1	
	D800	NSSM124F	LED		1	
	D801	NSSM124F	LED		1	
	D802	NSSM124F	LED		1	
	C100	CC73HCH1H221J	C CAPACITOR	220pF 50V J	1	
	C101	CC73HCH1H101J	C CAPACITOR	100pF 50V J	1	
	C104	CK73HXR1A104K	C CAPACITOR	0.1uF 10V K	1	
	C105	CC73HCH1H221J	C CAPACITOR	220pF 50V J	1	
	C106	CK73HXR1H473K	C CAPACITOR	0.047uF 50V K	1	
	C107	CK73HXR1A104K	C CAPACITOR	0.1uF 10V K	1	
	C108	CK73HXR1A104K	C CAPACITOR	0.1uF 10V K	1	
	C109	CK73HXR1A104K	C CAPACITOR	0.1uF 10V K	1	
	C111	CK73HXR1C105K	C CAPACITOR	1uF 16V K	1	
	C112	CK73HXR1C105K	C CAPACITOR	1uF 16V K	1	
	C113	CK73HXR1C105K	C CAPACITOR	1uF 16V K	1	
	C114	CK73EXR1E106K	C CAPACITOR	10uF 25V K	1	
	C115	CK73HXR1C105K	C CAPACITOR	1uF 16V K	1	
	C116	CK73HXR1A104K	C CAPACITOR	0.1uF 10V K	1	
	C117	CK73HXR1H103K	C CAPACITOR	0.01uF 50V K	1	
	C119	CK73HXR1H472K	C CAPACITOR	4700pF 50V K	1	
	C120	CK73HXR1H102K	C CAPACITOR	1000pF 50V K	1	
	C121	CK73HXR1C105K	C CAPACITOR	1uF 16V K	1	
	C122	CC73HCH1H101J	C CAPACITOR	100pF 50V J	1	
	C123	CC73HCH1H101J	C CAPACITOR	100pF 50V J	1	
	C124	CC73HCH1H101J	C CAPACITOR	100pF 50V J	1	
	C125	CC73HCH1H101J	C CAPACITOR	100pF 50V J	1	
	C126	CC73HCH1H101J	C CAPACITOR	100pF 50V J	1	
	C200	CK73HXR1C105K	C CAPACITOR	1uF 16V K	1	
	C203	CK73HXR1H104K	C CAPACITOR	0.1uF 50V K	1	
	C204	CK73EXR1E106K	C CAPACITOR	10uF 25V K	1	
	C205	CK73HXR1H103K	C CAPACITOR	0.01uF 50V K	1	
	C206	CK73HXR1E104K	C CAPACITOR	0.1uF 25V K	1	
	C207	CK73EXR1E106K	C CAPACITOR	10uF 25V K	1	
	C208	CK73EXR1E106K	C CAPACITOR	10uF 25V K	1	
	C209	CK73HXR1A104K	C CAPACITOR	0.1uF 10V K	1	
	C210	CK73HXR1C105K	C CAPACITOR	1uF 16V K	1	
	C211	CC73HCH1H391J	C CAPACITOR	390pF 50V J	1	
	C212	CK73HXR1C105K	C CAPACITOR	1uF 16V K	1	
	C213	CK73EXR1E106K	C CAPACITOR	10uF 25V K	1	
	C214	CK73HXR1A104K	C CAPACITOR	0.1uF 10V K	1	
	C215	CK73HXR1A104K	C CAPACITOR	0.1uF 10V K	1	
	C216	CK73HXR1C105K	C CAPACITOR	1uF 16V K	1	
	C217	CK73FXR0J226M	C CAPACITOR	22uF 6.3V M	1	
	C218	CK73HXR1H103K	C CAPACITOR	0.01uF 50V K	1	

MODEL	MARK	MODEL	MARK
DDX6706S	K1	DDX6906S	K0

Safe	Symbol No.	Parts No.	Parts Name	Description	QTY	Local
	C219	CK73EXR1E106K	C CAPACITOR	10uF 25V K	1	
	C220	CK73EXR1E106K	C CAPACITOR	10uF 25V K	1	
	C221	CK73HXR1C105K	C CAPACITOR	1uF 16V K	1	
	C224	CK73HXR1H104K	C CAPACITOR	0.1uF 50V K	1	
	C225	CK73EXR1E106K	C CAPACITOR	10uF 25V K	1	
	C300	CK73GXR1E105K	C CAPACITOR	1uF 25V K	1	
	C301	CK73FXR1C106K	C CAPACITOR	10uF 16V K	1	
	C302	CK73FXR1E475K	C CAPACITOR	4.7uF 25V K	1	
	C303	CK73HXR1H104K	C CAPACITOR	0.1uF 50V K	1	
	C304	CK73HXR1E104K	C CAPACITOR	0.1uF 25V K	1	
	C305	CK73EXR1E106K	C CAPACITOR	10uF 25V K	1	
	C306	CK73FXR1E225K	C CAPACITOR	2.2uF 25V K	1	
	C307	CK73FXR1C106K	C CAPACITOR	10uF 16V K	1	
	C308	CK73GXR1E105K	C CAPACITOR	1uF 25V K	1	
	C408	CK73HXR1E104K	C CAPACITOR	0.1uF 25V K	1	
	C409	CK73HXR1C105K	C CAPACITOR	1uF 16V K	1	
	C410	CK73FXR1E475K	C CAPACITOR	4.7uF 25V K	1	
	C411	CK73HXR1H104K	C CAPACITOR	0.1uF 50V K	1	
	C412	CK73HXR1H103K	C CAPACITOR	0.01uF 50V K	1	
	C413	CK73FXR1E475K	C CAPACITOR	4.7uF 25V K	1	
	C414	CK73HXR1C104K	C CAPACITOR	0.1uF 16V K	1	
	C415	CK73HXR1H103K	C CAPACITOR	0.01uF 50V K	1	
	C416	CK73GXR0J106M	C CAPACITOR	10uF 6.3V M	1	
	C417	CK73HXR1A104K	C CAPACITOR	0.1uF 10V K	1	
	C418	CK73HXR1H103K	C CAPACITOR	0.01uF 50V K	1	
	C419	CK73FXR1C106K	C CAPACITOR	10uF 16V K	1	
	C420	CK73FXR1C106K	C CAPACITOR	10uF 16V K	1	
	C421	CK73HXR1E104K	C CAPACITOR	0.1uF 25V K	1	
	C422	CK73HXR1H103K	C CAPACITOR	0.01uF 50V K	1	
	C433	CC73HCH1H150J	C CAPACITOR	15pF 50V J	1	
	C441	CK73HXR1C105K	C CAPACITOR	1uF 16V K	1	
	C508	CK73GXR0J106M	C CAPACITOR	10uF 6.3V M	1	
	C600	CK73HXR1C105K	C CAPACITOR	1uF 16V K	1	
	C601	CK73HXR1H102K	C CAPACITOR	1000pF 50V K	1	
	C602	CK73FXR0J226M	C CAPACITOR	22uF 6.3V M	1	
	C603	CK73EXR1E106K	C CAPACITOR	10uF 25V K	1	
	C701	CK73HXR1H103K	C CAPACITOR	0.01uF 50V K	1	
	C702	CK73FXR1C106K	C CAPACITOR	10uF 16V K	1	
	C753	CK73HXR1H104K	C CAPACITOR	0.1uF 50V K	1	
	C754	CK73HXR1H103K	C CAPACITOR	0.01uF 50V K	1	
	C755	CK73HXR1A104K	C CAPACITOR	0.1uF 10V K	1	
	C756	CK73HXR1A104K	C CAPACITOR	0.1uF 10V K	1	
	C757	CK73HXR1A104K	C CAPACITOR	0.1uF 10V K	1	
	R5	RK73HB1J101J	MG RESISTOR	100Ω 1/16W J	1	
	R34	RK73HB1J000J	MG RESISTOR	0Ω 1/16W J	1	
	R36	RK73HB1J000J	MG RESISTOR	0Ω 1/16W J	1	
	R37	RK73HB1J000J	MG RESISTOR	0Ω 1/16W J	1	
	R39	RK73HB1J000J	MG RESISTOR	0Ω 1/16W J	1	
	R41	RK73HB1J000J	MG RESISTOR	0Ω 1/16W J	1	
	R42	RK73HB1J000J	MG RESISTOR	0Ω 1/16W J	1	
	R43	RK73HB1J000J	MG RESISTOR	0Ω 1/16W J	1	
	R44	RK73HB1J000J	MG RESISTOR	0Ω 1/16W J	1	
	R45	RK73HB1J000J	MG RESISTOR	0Ω 1/16W J	1	
	R46	RK73HB1J000J	MG RESISTOR	0Ω 1/16W J	1	
	R47	RK73HB1J000J	MG RESISTOR	0Ω 1/16W J	1	
	R48	RK73HB1J000J	MG RESISTOR	0Ω 1/16W J	1	
	R49	RK73HB1J000J	MG RESISTOR	0Ω 1/16W J	1	
	R50	RK73HB1J000J	MG RESISTOR	0Ω 1/16W J	1	
	R51	RK73HB1J000J	MG RESISTOR	0Ω 1/16W J	1	
	R52	RK73HB1J000J	MG RESISTOR	0Ω 1/16W J	1	
	R53	RK73HB1J000J	MG RESISTOR	0Ω 1/16W J	1	
	R54	RK73HB1J000J	MG RESISTOR	0Ω 1/16W J	1	
	R55	RK73HB1J000J	MG RESISTOR	0Ω 1/16W J	1	
	R56	RK73HB1J000J	MG RESISTOR	0Ω 1/16W J	1	
	R57	RK73HB1J000J	MG RESISTOR	0Ω 1/16W J	1	
	R58	RK73HB1J000J	MG RESISTOR	0Ω 1/16W J	1	
	R100	RK73HB1J101J	MG RESISTOR	100Ω 1/16W J	1	
	R101	RK73HB1J101J	MG RESISTOR	100Ω 1/16W J	1	
	R102	RK73HB1J101J	MG RESISTOR	100Ω 1/16W J	1	
	R103	RK73HB1J101J	MG RESISTOR	100Ω 1/16W J	1	
	R104	RK73HB1J101J	MG RESISTOR	100Ω 1/16W J	1	
	R105	RK73HB1J101J	MG RESISTOR	100Ω 1/16W J	1	
	R106	RK73HB1J101J	MG RESISTOR	100Ω 1/16W J	1	
	R107	RK73HB1J101J	MG RESISTOR	100Ω 1/16W J	1	
	R108	RK73HB1J103J	MG RESISTOR	10kΩ 1/16W J	1	
	R110	RK73GB2A000J	MG RESISTOR	0Ω 1/10W J	1	
	R112	RK73HB1J123J	MG RESISTOR	12kΩ 1/16W J	1	
	R113	RK73HB1J101J	MG RESISTOR	100Ω 1/16W J	1	
	R114	RK73HB1J101J	MG RESISTOR	100Ω 1/16W J	1	
	R115	RK73HB1J101J	MG RESISTOR	100Ω 1/16W J	1	
	R116	RK73HB1J101J	MG RESISTOR	100Ω 1/16W J	1	
	R117	RK73HB1J101J	MG RESISTOR	100Ω 1/16W J	1	
	R120	RK73HB1J101J	MG RESISTOR	100Ω 1/16W J	1	
	R122	RK73HB1J101J	MG RESISTOR	100Ω 1/16W J	1	
	R125	RK73HB1J101J	MG RESISTOR	100Ω 1/16W J	1	
	R126	RK73HB1J103J	MG RESISTOR	10kΩ 1/16W J	1	
	R127	RK73HB1J102J	MG RESISTOR	1kΩ 1/16W J	1	
	R128	RK73HB1J101J	MG RESISTOR	100Ω 1/16W J	1	
	R129	RK73HB1J101J	MG RESISTOR	100Ω 1/16W J	1	
	R130	RK73HB1J101J	MG RESISTOR	100Ω 1/16W J	1	
	R131	RK73HB1J101J	MG RESISTOR	100Ω 1/16W J	1	
	R132	RK73HB1J101J	MG RESISTOR	100Ω 1/16W J	1	
	R133	RK73HB1J101J	MG RESISTOR	100Ω 1/16W J	1	

MODEL	MARK	MODEL	MARK
DDX6706S	K1	DDX6906S	K0

Safe	Symbol No.	Parts No.	Parts Name	Description	QTY	Local
	R134	RK73HB1J101J	MG RESISTOR	100Ω 1/16W J	1	
	R135	RK73HB1J101J	MG RESISTOR	100Ω 1/16W J	1	
	R136	RK73HB1J103J	MG RESISTOR	10kΩ 1/16W J	1	
	R137	RK73HB1J103J	MG RESISTOR	10kΩ 1/16W J	1	
	R138	RK73HB1J101J	MG RESISTOR	100Ω 1/16W J	1	
	R139	RK73HB1J101J	MG RESISTOR	100Ω 1/16W J	1	
	R140	RK73HB1J101J	MG RESISTOR	100Ω 1/16W J	1	
	R141	RK73HB1J473J	MG RESISTOR	47kΩ 1/16W J	1	
	R142	RK73HB1J473J	MG RESISTOR	47kΩ 1/16W J	1	
	R143	RK73HB1J472J	MG RESISTOR	4.7kΩ 1/16W J	1	
	R144	RK73HB1J472J	MG RESISTOR	4.7kΩ 1/16W J	1	
	R145	RK73HB1J103J	MG RESISTOR	10kΩ 1/16W J	1	
	R146	RK73HB1J102J	MG RESISTOR	1kΩ 1/16W J	1	
	R147	RK73HB1J101J	MG RESISTOR	100Ω 1/16W J	1	
	R148	RK73HB1J101J	MG RESISTOR	100Ω 1/16W J	1	
	R149	RK73HB1J101J	MG RESISTOR	100Ω 1/16W J	1	
	R150	RK73HB1J331J	MG RESISTOR	330Ω 1/16W J	1	
	R200	RK73HB1J000J	MG RESISTOR	0Ω 1/16W J	1	
	R201	RK73HB1J102J	MG RESISTOR	1kΩ 1/16W J	1	
	R203	RK73GB2A511J	MG RESISTOR	510Ω 1/10W J	1	
	R204	RK73GB2A511J	MG RESISTOR	510Ω 1/10W J	1	
	R207	RK73HH1J104D	MG RESISTOR	100kΩ 1/16W D	1	
	R208	RK73HH1J563D	MG RESISTOR	56kΩ 1/16W D	1	
	R209	RK73HB1J000J	MG RESISTOR	0Ω 1/16W J	1	
	R210	RK73HH1J152D	MG RESISTOR	1.5kΩ 1/16W D	1	
	R211	RK73HH1J134D	MG RESISTOR	130kΩ 1/16W D	1	
	R212	RK73HH1J103D	MG RESISTOR	10kΩ 1/16W D	1	
	R213	RK73HH1J751D	MG RESISTOR	750Ω 1/16W D	1	
	R214	RK73HB1J101J	MG RESISTOR	100Ω 1/16W J	1	
	R215	RK73HH1J563D	MG RESISTOR	56kΩ 1/16W D	1	
	R216	RK73HB1J4R7J	MG RESISTOR	4.7Ω 1/16W J	1	
	R217	RK73HB1J000J	MG RESISTOR	0Ω 1/16W J	1	
	R218	RZ73F0AK33LJ	RESISTOR	0.033Ω 1/3W J	1	
	R219	RK73HB1J103J	MG RESISTOR	10kΩ 1/16W J	1	
	R220	RK73GH2A361D	MG RESISTOR	360Ω 1/10W D	1	
	R221	RK73GH2A361D	MG RESISTOR	360Ω 1/10W D	1	
	R222	RK73GH2A361D	MG RESISTOR	360Ω 1/10W D	1	
	R223	RK73HB1J000J	MG RESISTOR	0Ω 1/16W J	1	
	R224	RK73HB1J102J	MG RESISTOR	1kΩ 1/16W J	1	
	R225	RK73HB1J101J	MG RESISTOR	100Ω 1/16W J	1	
	R227	RK73GB2A511J	MG RESISTOR	510Ω 1/10W J	1	
	R228	RK73GB2A511J	MG RESISTOR	510Ω 1/10W J	1	
	R229	RK73GH2A361D	MG RESISTOR	360Ω 1/10W D	1	
	R230	RK73GH2A361D	MG RESISTOR	360Ω 1/10W D	1	
	R231	RK73HB1J473J	MG RESISTOR	47kΩ 1/16W J	1	
	R232	RK73HB1J473J	MG RESISTOR	47kΩ 1/16W J	1	
	R233	RK73GH2A391D	MG RESISTOR	390Ω 1/10W D	1	
	R234	RK73GH2A361D	MG RESISTOR	360Ω 1/10W D	1	
	R235	RK73HB1J101J	MG RESISTOR	100Ω 1/16W J	1	
	R236	RK73GB2A511J	MG RESISTOR	510Ω 1/10W J	1	
	R237	RK73GH2A361D	MG RESISTOR	360Ω 1/10W D	1	
	R238	RK73HB1J101J	MG RESISTOR	100Ω 1/16W J	1	
	R239	RK73HB1J101J	MG RESISTOR	100Ω 1/16W J	1	
	R240	RK73HB1J101J	MG RESISTOR	100Ω 1/16W J	1	
	R241	RK73GH2A391D	MG RESISTOR	390Ω 1/10W D	1	
	R242	RK73GH2A391D	MG RESISTOR	390Ω 1/10W D	1	
	R243	RK73HB1J101J	MG RESISTOR	100Ω 1/16W J	1	
	R244	RK73GH2A391D	MG RESISTOR	390Ω 1/10W D	1	
	R245	RK73GB2A511J	MG RESISTOR	510Ω 1/10W J	1	
	R246	RZ73F0BS560J	RESISTOR	56Ω 1/3W J	1	
	R247	RK73HB1J102J	MG RESISTOR	1kΩ 1/16W J	1	
	R248	RK73GH2A391D	MG RESISTOR	390Ω 1/10W D	1	
	R249	RK73HB1J473J	MG RESISTOR	47kΩ 1/16W J	1	
	R250	RK73HB1J101J	MG RESISTOR	100Ω 1/16W J	1	
	R251	RK73GH2A391D	MG RESISTOR	390Ω 1/10W D	1	
	R252	RK73GH2A391D	MG RESISTOR	390Ω 1/10W D	1	
	R253	RK73GH2A361D	MG RESISTOR	360Ω 1/10W D	1	
	R254	RK73HB1J101J	MG RESISTOR	100Ω 1/16W J	1	
	R255	RK73GH2A391D	MG RESISTOR	390Ω 1/10W D	1	
	R256	RK73HB1J473J	MG RESISTOR	47kΩ 1/16W J	1	
	R257	RK73HB1J103J	MG RESISTOR	10kΩ 1/16W J	1	
	R259	RK73GB2A000J	MG RESISTOR	0Ω 1/10W J	1	
	R300	RK73HB1J104J	MG RESISTOR	100kΩ 1/16W J	1	
	R301	RK73HB1J392J	MG RESISTOR	3.9kΩ 1/16W J	1	
	R302	RK73HB1J681J	MG RESISTOR	680Ω 1/16W J	1	
	R303	RK73HB1J393J	MG RESISTOR	39kΩ 1/16W J	1	
	R304	RK73HB1J104J	MG RESISTOR	100kΩ 1/16W J	1	
	R305	RK73HH1J332D	MG RESISTOR	3.3kΩ 1/16W D	1	
	R306	RK73HH1J473D	MG RESISTOR	47kΩ 1/16W D	1	
	R307	RK73HH1J103D	MG RESISTOR	10kΩ 1/16W D	1	
	R308	RK73HH1J273D	MG RESISTOR	27kΩ 1/16W D	1	
	R309	RK73HB1J472J	MG RESISTOR	4.7kΩ 1/16W J	1	
	R310	RK73HB1J104J	MG RESISTOR	100kΩ 1/16W J	1	
	R311	RK73HB1J000J	MG RESISTOR	0Ω 1/16W J	1	
	R312	RK73HH1J102D	MG RESISTOR	1kΩ 1/16W D	1	
	R313	RK73HB1J104J	MG RESISTOR	100kΩ 1/16W J	1	
	R316	RK73HB1J103J	MG RESISTOR	10kΩ 1/16W J	1	
	R317	RK73HB1J821J	MG RESISTOR	820Ω 1/16W J	1	
	R318	RK73HB1J103J	MG RESISTOR	10kΩ 1/16W J	1	
	R319	RK73HB1J473J	MG RESISTOR	47kΩ 1/16W J	1	
	R320	RK73HB1J104J	MG RESISTOR	100kΩ 1/16W J	1	
	R321	RK73HB1J000J	MG RESISTOR	0Ω 1/16W J	1	

MODEL	MARK	MODEL	MARK
DDX6706S	K1	DDX6906S	K0

Safe	Symbol No.	Parts No.	Parts Name	Description	QTY	Local
	R322	RK73HH1J823D	MG RESISTOR	82kΩ 1/16W D	1	
	R323	RK73HH1J113D	MG RESISTOR	11kΩ 1/16W D	1	
	R401	RK73HB1J472J	MG RESISTOR	4.7kΩ 1/16W J	1	
	R402	RK73HB1J472J	MG RESISTOR	4.7kΩ 1/16W J	1	
	R403	RK73HB1J102J	MG RESISTOR	1kΩ 1/16W J	1	
	R404	RK73HH1J154D	MG RESISTOR	150kΩ 1/16W D	1	
	R405	RK73HH1J274D	MG RESISTOR	270kΩ 1/16W D	1	
	R406	RK73HH1J334D	MG RESISTOR	330kΩ 1/16W D	1	
	R407	RK73HH1J153D	MG RESISTOR	15kΩ 1/16W D	1	
	R408	RK73HH1J103D	MG RESISTOR	10kΩ 1/16W D	1	
	R409	RK73HH1J823D	MG RESISTOR	82kΩ 1/16W D	1	
	R411	RK73HB1J101J	MG RESISTOR	100Ω 1/16W J	1	
	R412	RK73EB2E392J	MG RESISTOR	3.9kΩ 1/4W J	1	
	R426	RK73EB2E102J	MG RESISTOR	1kΩ 1/4W J	1	
	R427	RK73HB1J472J	MG RESISTOR	4.7kΩ 1/16W J	1	
	R428	RK73HB1J000J	MG RESISTOR	0Ω 1/16W J	1	
	R443	RK73GB2A750J	MG RESISTOR	75Ω 1/10W J	1	
	R478	RK73HB1J473J	MG RESISTOR	47kΩ 1/16W J	1	
	R479	RK73HB1J103J	MG RESISTOR	10kΩ 1/16W J	1	
	R480	RK73HB1J473J	MG RESISTOR	47kΩ 1/16W J	1	
	R482	RK73HB1J000J	MG RESISTOR	0Ω 1/16W J	1	
	R483	RK73HB1J000J	MG RESISTOR	0Ω 1/16W J	1	
	R484	RK73HB1J000J	MG RESISTOR	0Ω 1/16W J	1	
	R485	RK73HB1J000J	MG RESISTOR	0Ω 1/16W J	1	
	R486	RK73HB1J000J	MG RESISTOR	0Ω 1/16W J	1	
	R487	RK73HB1J000J	MG RESISTOR	0Ω 1/16W J	1	
	R490	RK73HB1J000J	MG RESISTOR	0Ω 1/16W J	1	
	R491	RK73HB1J000J	MG RESISTOR	0Ω 1/16W J	1	
	R495	RK73HB1J103J	MG RESISTOR	10kΩ 1/16W J	1	
	R515	RK73HB1J104J	MG RESISTOR	100kΩ 1/16W J	1	
	R516	RK73HB1J104J	MG RESISTOR	100kΩ 1/16W J	1	
	R517	RK73GH2A220D	MG RESISTOR	22Ω 1/10W D	1	
	R518	RK73GH2A100D	MG RESISTOR	10Ω 1/10W D	1	
	R519	RK73GH2A220D	MG RESISTOR	22Ω 1/10W D	1	
	R520	RK73GH2A100D	MG RESISTOR	10Ω 1/10W D	1	
	R521	RK73HB1J222J	MG RESISTOR	2.2kΩ 1/16W J	1	
	R522	RK73HB1J222J	MG RESISTOR	2.2kΩ 1/16W J	1	
	R523	RK73HB1J473J	MG RESISTOR	47kΩ 1/16W J	1	
	R524	RK73HB1J473J	MG RESISTOR	47kΩ 1/16W J	1	
	R525	RK73HB1J222J	MG RESISTOR	2.2kΩ 1/16W J	1	
	R526	RK73HB1J222J	MG RESISTOR	2.2kΩ 1/16W J	1	
	R527	RK73HB1J473J	MG RESISTOR	47kΩ 1/16W J	1	
	R528	RK73HB1J473J	MG RESISTOR	47kΩ 1/16W J	1	
	R529	RK73HB1J103J	MG RESISTOR	10kΩ 1/16W J	1	
	R530	RK73HB1J102J	MG RESISTOR	1kΩ 1/16W J	1	
	R531	RK73HH1J621D	MG RESISTOR	620Ω 1/16W D	1	
	R532	RK73HB1J101J	MG RESISTOR	100Ω 1/16W J	1	
	R533	RK73HB1J101J	MG RESISTOR	100Ω 1/16W J	1	
	R534	RK73HB1J101J	MG RESISTOR	100Ω 1/16W J	1	
	R535	RK73HB1J101J	MG RESISTOR	100Ω 1/16W J	1	
	R536	RK73HB1J224J	MG RESISTOR	220kΩ 1/16W J	1	
	R600	RK73HB1J100J	MG RESISTOR	10Ω 1/16W J	1	
	R601	RK73GB2A221J	MG RESISTOR	220Ω 1/10W J	1	
	R750	RK73GB2A100J	MG RESISTOR	10Ω 1/10W J	1	
	R751	RK73GB2A100J	MG RESISTOR	10Ω 1/10W J	1	
	R752	RK73GB2A100J	MG RESISTOR	10Ω 1/10W J	1	
	R753	RK73GB2A100J	MG RESISTOR	10Ω 1/10W J	1	
	R754	RK73GB2A101J	MG RESISTOR	100Ω 1/10W J	1	
	R757	RK73GH2A751D	MG RESISTOR	750Ω 1/10W D	1	
	R758	RK73HB1J473J	MG RESISTOR	47kΩ 1/16W J	1	
	R759	RK73HB1J101J	MG RESISTOR	100Ω 1/16W J	1	
	R760	RK73GH2A751D	MG RESISTOR	750Ω 1/10W D	1	
	R761	RK73HB1J473J	MG RESISTOR	47kΩ 1/16W J	1	
	R762	RK73HB1J101J	MG RESISTOR	100Ω 1/16W J	1	
	R763	RK73GH2A751D	MG RESISTOR	750Ω 1/10W D	1	
	R764	RK73HB1J473J	MG RESISTOR	47kΩ 1/16W J	1	
	R765	RK73HB1J101J	MG RESISTOR	100Ω 1/16W J	1	
	R800	RK73HB1J103J	MG RESISTOR	10kΩ 1/16W J	1	
	R801	RK73HB1J472J	MG RESISTOR	4.7kΩ 1/16W J	1	
	R802	RK73HB1J332J	MG RESISTOR	3.3kΩ 1/16W J	1	
	R803	RK73HB1J333J	MG RESISTOR	33kΩ 1/16W J	1	
	L100	LB73G0BF-002	CHIP FERRITE		1	
	L200	LR79Z0FB220M	CHIP INDUCTOR	22uF	1	
	L201	NQR0716-001X	FERRITE CORE		1	
	L404	NQR0717-001X	FERRITE CORE		1	
	L501	LR73Z0AC100K	CHIP INDUCTOR	10uH	1	
	L600	LB73G0BF-002	CHIP FERRITE		1	
	L750	LB73G0BF-002	CHIP FERRITE		1	
	CN1	EC720AB-0570A	FFC FPC CONNE	70P	1	
	CN100	EC720AA-0510A	FFC FPC CONNE	10P	1	
	CN400	EC720AA-0550A	FFC FPC CONNE	50P	1	
	CN500	EC720CX-1004A	FFC FPC CONNE		1	
	CN750	EC720AA-0510A	FFC FPC CONNE	10P	1	
	CN800	EC710AM-0510A	FFC FPC CONNE	10P	1	
△	F2	FZA10BF-1R0	FUSE (CC)	1A	1	
	S800	S7A-0001-00	TACTILE PUSH SW		1	
	S801	S7A-0001-00	TACTILE PUSH SW		1	
	S802	S7A-0001-00	TACTILE PUSH SW		1	
	S803	S7A-0001-00	TACTILE PUSH SW		1	
	S804	S7A-0001-00	TACTILE PUSH SW		1	
	S805	S7A-0001-00	TACTILE PUSH SW		1	
	VA500	EZJP0270EA	VARIATOR		1	

MODEL	MARK	MODEL	MARK
DDX6706S	K1	DDX6906S	K0

Safe	Symbol No.	Parts No.	Parts Name	Description	QTY	Local
	VA501	EZJP0270EA	VARIATOR		1	
	VA502	EZJP0270EA	VARIATOR		1	
	VA503	EZJP0270EA	VARIATOR		1	
	VA600	EZJP0270EA	VARIATOR		1	
DIGITAL IO PWB ASSY (XJA-069K-00) <XJA>						
	IC501	TCC8974F-0AX1	MPU IC	BGA	1	
	IC503	-----	ROM IC	NO SERVICE PART	1	
	IC525	-----	ROM IC	BGA	1	
	IC531	H5TQ463CFRRDJ	DRAM IC	BGA	1	
	IC532	H5TQ463CFRRDJ	DRAM IC	BGA	1	
	IC541	ML86250LAZ07F	MOS IC	BGA	1	
	IC543	TC7WBL3305CFC	MOS IC		1	
	IC544	TC7SH08FUJC	MOS IC		1	
	IC563	MFI337S395901	MCU IC		1	
	IC571	TPS2543RTE	MOS IC		1	
	IC591	MP9943AGQ	ANALOG IC		1	
	IC592	MP9943AGQ	ANALOG IC		1	
	IC594	TC7SH08FUJC	MOS IC		1	
	IC595	MM3411A18NE	ANALOG IC		1	
	IC596	BD00IC0EEFJ-M	ANALOG IC		1	
	IC597	BD15KA5WFP	MOS IC		1	
	IC601	MP9942AGJ	ANALOG IC		1	
	IC631	NJM2561F1	BIPOLAR IC		1	
	Q5401	LSCR523EBFS8	TRANSISTOR		1	
	Q5402	LSCR523EBFS8	TRANSISTOR		1	
	Q5403	LSCR523EBFS8	TRANSISTOR		1	
	Q5405	LSCR523EBFS8	TRANSISTOR		1	
	Q5603	LTC014YEBFS8	DIGI TRANSISTOR		1	
	Q5604	LTC014YEBFS8	DIGI TRANSISTOR		1	
	Q5605	LTC014YEBFS8	DIGI TRANSISTOR		1	
	Q5606	LTC014YEBFS8	DIGI TRANSISTOR		1	
	Q5607	LSAR523EBFS8	TRANSISTOR		1	
	Q5608	2SC4617EB/QR/	TRANSISTOR		1	
	Q6301	LTC014YEBFS8	DIGI TRANSISTOR		1	
	C631	CK73HXR1C105K	C CAPACITOR	1uF 16V K	1	
	C632	CK73HXR1A104K	C CAPACITOR	0.1uF 10V K	1	
	C633	CK73FXR1C106K	C CAPACITOR	10uF 16V K	1	
	C5001	CK73HXR1A104K	C CAPACITOR	0.1uF 10V K	1	
	C5002	CK73HXR1A104K	C CAPACITOR	0.1uF 10V K	1	
	C5003	CK73HXR1A104K	C CAPACITOR	0.1uF 10V K	1	
	C5004	CK73HXR1A104K	C CAPACITOR	0.1uF 10V K	1	
	C5005	CK73HXR1A104K	C CAPACITOR	0.1uF 10V K	1	
	C5006	CK73HXR1A104K	C CAPACITOR	0.1uF 10V K	1	
	C5007	CK73HXR1A104K	C CAPACITOR	0.1uF 10V K	1	
	C5008	CK73HXR1A104K	C CAPACITOR	0.1uF 10V K	1	
	C5009	CK73HXR1A104K	C CAPACITOR	0.1uF 10V K	1	
	C5010	CK73HXR1A104K	C CAPACITOR	0.1uF 10V K	1	
	C5011	CK73HXR1A104K	C CAPACITOR	0.1uF 10V K	1	
	C5012	CK73HXR1A104K	C CAPACITOR	0.1uF 10V K	1	
	C5013	CK73HXR1A104K	C CAPACITOR	0.1uF 10V K	1	
	C5014	CK73HXR1A104K	C CAPACITOR	0.1uF 10V K	1	
	C5015	CK73HXR1A104K	C CAPACITOR	0.1uF 10V K	1	
	C5016	CK73HXR1A104K	C CAPACITOR	0.1uF 10V K	1	
	C5017	CK73HXR1A104K	C CAPACITOR	0.1uF 10V K	1	
	C5018	CK73HXR1A104K	C CAPACITOR	0.1uF 10V K	1	
	C5019	CK73HXR1A104K	C CAPACITOR	0.1uF 10V K	1	
	C5020	CK73HXR1A104K	C CAPACITOR	0.1uF 10V K	1	
	C5021	CK73HXR1A104K	C CAPACITOR	0.1uF 10V K	1	
	C5022	CK73HXR1A104K	C CAPACITOR	0.1uF 10V K	1	
	C5023	CK73HXR1A104K	C CAPACITOR	0.1uF 10V K	1	
	C5024	CK73HXR1A104K	C CAPACITOR	0.1uF 10V K	1	
	C5025	CK73HXR1A104K	C CAPACITOR	0.1uF 10V K	1	
	C5026	CK73HXR1A104K	C CAPACITOR	0.1uF 10V K	1	
	C5027	CK73HXR1A104K	C CAPACITOR	0.1uF 10V K	1	
	C5028	CK73HXR1A104K	C CAPACITOR	0.1uF 10V K	1	
	C5029	CK73HXR1A104K	C CAPACITOR	0.1uF 10V K	1	
	C5030	CK73HXR1A104K	C CAPACITOR	0.1uF 10V K	1	
	C5031	CK73HXR1A104K	C CAPACITOR	0.1uF 10V K	1	
	C5032	CK73HXR1A104K	C CAPACITOR	0.1uF 10V K	1	
	C5033	CK73HXR1A104K	C CAPACITOR	0.1uF 10V K	1	
	C5034	CK73HXR1A104K	C CAPACITOR	0.1uF 10V K	1	
	C5035	CK73HXR1A104K	C CAPACITOR	0.1uF 10V K	1	
	C5036	CK73HXR1A104K	C CAPACITOR	0.1uF 10V K	1	
	C5037	CK73HXR1A104K	C CAPACITOR	0.1uF 10V K	1	
	C5038	CK73HXR1A104K	C CAPACITOR	0.1uF 10V K	1	
	C5039	CC73HCH1H060D	C CAPACITOR	6pF 50V D	1	
	C5040	CC73HCH1H060D	C CAPACITOR	6pF 50V D	1	
	C5041	CK73HXR1A104K	C CAPACITOR	0.1uF 10V K	1	
	C5042	CK73HXR1A104K	C CAPACITOR	0.1uF 10V K	1	
	C5043	CK73HXR1A104K	C CAPACITOR	0.1uF 10V K	1	
	C5045	CK73HXR1A104K	C CAPACITOR	0.1uF 10V K	1	
	C5046	CK73HXR1A104K	C CAPACITOR	0.1uF 10V K	1	
	C5050	CK73HXR1A104K	C CAPACITOR	0.1uF 10V K	1	
	C5051	CK73HXR1A104K	C CAPACITOR	0.1uF 10V K	1	
	C5052	CK73HXR1A104K	C CAPACITOR	0.1uF 10V K	1	
	C5053	CK73HXR1A104K	C CAPACITOR	0.1uF 10V K	1	
	C5054	CK73HXR1A104K	C CAPACITOR	0.1uF 10V K	1	
	C5055	CK73HXR1A104K	C CAPACITOR	0.1uF 10V K	1	
	C5056	CK73HXR1A104K	C CAPACITOR	0.1uF 10V K	1	
	C5057	CK73HXR1A104K	C CAPACITOR	0.1uF 10V K	1	
	C5058	CK73HXR1A104K	C CAPACITOR	0.1uF 10V K	1	
	C5059	CK73HXR1A104K	C CAPACITOR	0.1uF 10V K	1	

MODEL	MARK	MODEL	MARK
DDX6706S	K1	DDX6906S	K0

Safe	Symbol No.	Parts No.	Parts Name	Description	QTY	Local
	C5060	CK73HXR1A104K	C CAPACITOR	0.1uF 10V K	1	
	C5061	CK73HXR1A104K	C CAPACITOR	0.1uF 10V K	1	
	C5066	CK73HXR1A104K	C CAPACITOR	0.1uF 10V K	1	
	C5067	CK73HXR1A104K	C CAPACITOR	0.1uF 10V K	1	
	C5068	CK73HXR1A104K	C CAPACITOR	0.1uF 10V K	1	
	C5069	CK73HXR1A104K	C CAPACITOR	0.1uF 10V K	1	
	C5070	CK73HXR1A104K	C CAPACITOR	0.1uF 10V K	1	
	C5071	CK73HXR1A104K	C CAPACITOR	0.1uF 10V K	1	
	C5072	CK73HXR1A104K	C CAPACITOR	0.1uF 10V K	1	
	C5073	CK73HXR1A104K	C CAPACITOR	0.1uF 10V K	1	
	C5074	CK73HXR1A104K	C CAPACITOR	0.1uF 10V K	1	
	C5075	CK73HXR1A104K	C CAPACITOR	0.1uF 10V K	1	
	C5076	CK73HXR1A104K	C CAPACITOR	0.1uF 10V K	1	
	C5077	CK73HXR1A104K	C CAPACITOR	0.1uF 10V K	1	
	C5078	CK73HXR1A104K	C CAPACITOR	0.1uF 10V K	1	
	C5079	CK73HXR1A104K	C CAPACITOR	0.1uF 10V K	1	
	C5080	CK73HXR1A104K	C CAPACITOR	0.1uF 10V K	1	
	C5081	CK73HXR1A104K	C CAPACITOR	0.1uF 10V K	1	
	C5083	CK73HXR1A104K	C CAPACITOR	0.1uF 10V K	1	
	C5084	CK73HXR1A104K	C CAPACITOR	0.1uF 10V K	1	
	C5085	CK73HXR1A104K	C CAPACITOR	0.1uF 10V K	1	
	C5086	CK73HXR1A104K	C CAPACITOR	0.1uF 10V K	1	
	C5087	CK73HXR1A104K	C CAPACITOR	0.1uF 10V K	1	
	C5088	CK73HXR1A104K	C CAPACITOR	0.1uF 10V K	1	
	C5089	CK73HXR1A104K	C CAPACITOR	0.1uF 10V K	1	
	C5090	CK73HXR1A104K	C CAPACITOR	0.1uF 10V K	1	
	C5091	CK73HXR1A104K	C CAPACITOR	0.1uF 10V K	1	
	C5092	CK73HXR1A104K	C CAPACITOR	0.1uF 10V K	1	
	C5093	CK73HXR1A104K	C CAPACITOR	0.1uF 10V K	1	
	C5094	CK73HXR1A104K	C CAPACITOR	0.1uF 10V K	1	
	C5095	CK73HXR1A104K	C CAPACITOR	0.1uF 10V K	1	
	C5096	CK73HXR1A104K	C CAPACITOR	0.1uF 10V K	1	
	C5097	CK73HXR1A104K	C CAPACITOR	0.1uF 10V K	1	
	C5098	CK73HXR1A104K	C CAPACITOR	0.1uF 10V K	1	
	C5099	CK73HXR1A104K	C CAPACITOR	0.1uF 10V K	1	
	C5100	CK73HXR1A104K	C CAPACITOR	0.1uF 10V K	1	
	C5101	CK73HXR1A104K	C CAPACITOR	0.1uF 10V K	1	
	C5102	CK73HXR1A104K	C CAPACITOR	0.1uF 10V K	1	
	C5103	CK73HXR1A104K	C CAPACITOR	0.1uF 10V K	1	
	C5104	CK73HXR1A104K	C CAPACITOR	0.1uF 10V K	1	
	C5105	CK73HXR1A104K	C CAPACITOR	0.1uF 10V K	1	
	C5106	CK73HXR1A104K	C CAPACITOR	0.1uF 10V K	1	
	C5107	CK73HXR1A104K	C CAPACITOR	0.1uF 10V K	1	
	C5108	CK73HXR1A104K	C CAPACITOR	0.1uF 10V K	1	
	C5109	CK73HXR1A104K	C CAPACITOR	0.1uF 10V K	1	
	C5110	CK73HXR1A104K	C CAPACITOR	0.1uF 10V K	1	
	C5111	CK73HXR1A104K	C CAPACITOR	0.1uF 10V K	1	
	C5112	CK73HXR1A104K	C CAPACITOR	0.1uF 10V K	1	
	C5113	CK73HXR1A104K	C CAPACITOR	0.1uF 10V K	1	
	C5114	CK73HXR1A104K	C CAPACITOR	0.1uF 10V K	1	
	C5115	CK73HXR1A104K	C CAPACITOR	0.1uF 10V K	1	
	C5116	CK73HXR1A104K	C CAPACITOR	0.1uF 10V K	1	
	C5117	CK73HXR1A104K	C CAPACITOR	0.1uF 10V K	1	
	C5118	CK73HXR1A104K	C CAPACITOR	0.1uF 10V K	1	
	C5119	CK73HXR1A104K	C CAPACITOR	0.1uF 10V K	1	
	C5120	CK73HXR1A104K	C CAPACITOR	0.1uF 10V K	1	
	C5121	CK73HXR1A104K	C CAPACITOR	0.1uF 10V K	1	
	C5122	CK73HXR1A104K	C CAPACITOR	0.1uF 10V K	1	
	C5123	CK73HXR1A104K	C CAPACITOR	0.1uF 10V K	1	
	C5124	CK73HXR1A104K	C CAPACITOR	0.1uF 10V K	1	
	C5126	CS77FBK0J101M	TA E CAPACITOR	100uF 6.3V M	1	
	C5128	CS77FBK0J101M	TA E CAPACITOR	100uF 6.3V M	1	
	C5130	CS77FBK0J101M	TA E CAPACITOR	100uF 6.3V M	1	
	C5132	CS77FBK0J101M	TA E CAPACITOR	100uF 6.3V M	1	
	C5201	CS77FBK0J101M	TA E CAPACITOR	100uF 6.3V M	1	
	C5202	CC73HCH1H102J	C CAPACITOR	1000pF 50V J	1	
	C5203	CK73HXR1A104K	C CAPACITOR	0.1uF 10V K	1	
	C5204	CK73HXR1A104K	C CAPACITOR	0.1uF 10V K	1	
	C5251	CK73FXR1C106K	C CAPACITOR	10uF 16V K	1	
	C5252	CK73FXR1C106K	C CAPACITOR	10uF 16V K	1	
	C5253	CK73HXR1A104K	C CAPACITOR	0.1uF 10V K	1	
	C5255	CK73HXR1A104K	C CAPACITOR	0.1uF 10V K	1	
	C5259	CK73HXR1A104K	C CAPACITOR	0.1uF 10V K	1	
	C5263	CK73FXR1C106K	C CAPACITOR	10uF 16V K	1	
	C5269	CK73FXR1C106K	C CAPACITOR	10uF 16V K	1	
	C5301	CS77FBK0J101M	TA E CAPACITOR	100uF 6.3V M	1	
	C5302	CC73HCH1H121J	C CAPACITOR	120pF 50V J	1	
	C5303	CK73HXR1A104K	C CAPACITOR	0.1uF 10V K	1	
	C5304	CC73HCH1H121J	C CAPACITOR	120pF 50V J	1	
	C5305	CK73HXR1A104K	C CAPACITOR	0.1uF 10V K	1	
	C5306	CC73HCH1H121J	C CAPACITOR	120pF 50V J	1	
	C5307	CK73HXR1A104K	C CAPACITOR	0.1uF 10V K	1	
	C5308	CC73HCH1H121J	C CAPACITOR	120pF 50V J	1	
	C5309	CK73HXR1A104K	C CAPACITOR	0.1uF 10V K	1	
	C5311	CK73HXR1A104K	C CAPACITOR	0.1uF 10V K	1	
	C5312	CC73HCH1H121J	C CAPACITOR	120pF 50V J	1	
	C5313	CK73HXR1A104K	C CAPACITOR	0.1uF 10V K	1	
	C5314	CC73HCH1H121J	C CAPACITOR	120pF 50V J	1	
	C5315	CK73HXR1A104K	C CAPACITOR	0.1uF 10V K	1	
	C5316	CC73HCH1H121J	C CAPACITOR	120pF 50V J	1	
	C5317	CC73HCH1H121J	C CAPACITOR	120pF 50V J	1	
	C5318	CK73HXR1A104K	C CAPACITOR	0.1uF 10V K	1	
	C5319	CK73HXR1A104K	C CAPACITOR	0.1uF 10V K	1	

MODEL	MARK	MODEL	MARK
DDX6706S	K1	DDX6906S	K0

Safe	Symbol No.	Parts No.	Parts Name	Description	QTY	Local
	C5320	CC73HCH1H121J	C CAPACITOR	120pF 50V J	1	
	C5321	CC73HCH1H121J	C CAPACITOR	120pF 50V J	1	
	C5322	CK73HXR1A104K	C CAPACITOR	0.1uF 10V K	1	
	C5323	CK73HXR1A104K	C CAPACITOR	0.1uF 10V K	1	
	C5324	CK73HXR1A104K	C CAPACITOR	0.1uF 10V K	1	
	C5325	CK73HXR1A104K	C CAPACITOR	0.1uF 10V K	1	
	C5326	CK73HXR1A104K	C CAPACITOR	0.1uF 10V K	1	
	C5327	CK73HXR1A104K	C CAPACITOR	0.1uF 10V K	1	
	C5328	CK73HXR1A104K	C CAPACITOR	0.1uF 10V K	1	
	C5329	CK73HXR1A104K	C CAPACITOR	0.1uF 10V K	1	
	C5330	CC73HCH1H121J	C CAPACITOR	120pF 50V J	1	
	C5331	CK73HXR1A104K	C CAPACITOR	0.1uF 10V K	1	
	C5332	CC73HCH1H121J	C CAPACITOR	120pF 50V J	1	
	C5333	CK73HXR1A104K	C CAPACITOR	0.1uF 10V K	1	
	C5334	CC73HCH1H121J	C CAPACITOR	120pF 50V J	1	
	C5335	CK73HXR1A104K	C CAPACITOR	0.1uF 10V K	1	
	C5336	CC73HCH1H121J	C CAPACITOR	120pF 50V J	1	
	C5337	CK73HXR1A104K	C CAPACITOR	0.1uF 10V K	1	
	C5338	CC73HCH1H121J	C CAPACITOR	120pF 50V J	1	
	C5339	CK73HXR1A104K	C CAPACITOR	0.1uF 10V K	1	
	C5340	CC73HCH1H121J	C CAPACITOR	120pF 50V J	1	
	C5341	CK73HXR1A104K	C CAPACITOR	0.1uF 10V K	1	
	C5342	CC73HCH1H121J	C CAPACITOR	120pF 50V J	1	
	C5343	CK73HXR1A104K	C CAPACITOR	0.1uF 10V K	1	
	C5344	CC73HCH1H121J	C CAPACITOR	120pF 50V J	1	
	C5345	CK73HXR1A104K	C CAPACITOR	0.1uF 10V K	1	
	C5346	CC73HCH1H121J	C CAPACITOR	120pF 50V J	1	
	C5347	CK73HXR1A104K	C CAPACITOR	0.1uF 10V K	1	
	C5348	CC73HCH1H121J	C CAPACITOR	120pF 50V J	1	
	C5349	CC73HCH1H121J	C CAPACITOR	120pF 50V J	1	
	C5350	CC73HCH1H121J	C CAPACITOR	120pF 50V J	1	
	C5351	CC73HCH1H121J	C CAPACITOR	120pF 50V J	1	
	C5352	CK73HXR1A104K	C CAPACITOR	0.1uF 10V K	1	
	C5353	CC73HCH1H121J	C CAPACITOR	120pF 50V J	1	
	C5354	CK73HXR1A104K	C CAPACITOR	0.1uF 10V K	1	
	C5355	CC73HCH1H121J	C CAPACITOR	120pF 50V J	1	
	C5356	CK73HXR1A104K	C CAPACITOR	0.1uF 10V K	1	
	C5357	CC73HCH1H121J	C CAPACITOR	120pF 50V J	1	
	C5358	CK73HXR1A104K	C CAPACITOR	0.1uF 10V K	1	
	C5359	CK73HXR1A104K	C CAPACITOR	0.1uF 10V K	1	
	C5360	CK73HXR1A104K	C CAPACITOR	0.1uF 10V K	1	
	C5361	CK73HXR1A104K	C CAPACITOR	0.1uF 10V K	1	
	C5362	CK73HXR1A104K	C CAPACITOR	0.1uF 10V K	1	
	C5363	CK73HXR1A104K	C CAPACITOR	0.1uF 10V K	1	
	C5364	CK73HXR1A104K	C CAPACITOR	0.1uF 10V K	1	
	C5365	CC73HCH1H121J	C CAPACITOR	120pF 50V J	1	
	C5366	CK73HXR1A104K	C CAPACITOR	0.1uF 10V K	1	
	C5367	CC73HCH1H121J	C CAPACITOR	120pF 50V J	1	
	C5368	CK73HXR1A104K	C CAPACITOR	0.1uF 10V K	1	
	C5369	CC73HCH1H121J	C CAPACITOR	120pF 50V J	1	
	C5370	CC73HCH1H121J	C CAPACITOR	120pF 50V J	1	
	C5372	CK73HXR1A104K	C CAPACITOR	0.1uF 10V K	1	
	C5373	CC73HCH1H121J	C CAPACITOR	120pF 50V J	1	
	C5374	CK73HXR1A104K	C CAPACITOR	0.1uF 10V K	1	
	C5375	CC73HCH1H121J	C CAPACITOR	120pF 50V J	1	
	C5376	CK73HXR1A104K	C CAPACITOR	0.1uF 10V K	1	
	C5377	CC73HCH1H121J	C CAPACITOR	120pF 50V J	1	
	C5378	CK73HXR1A104K	C CAPACITOR	0.1uF 10V K	1	
	C5379	CC73HCH1H121J	C CAPACITOR	120pF 50V J	1	
	C5380	CK73HXR1A104K	C CAPACITOR	0.1uF 10V K	1	
	C5381	CC73HCH1H121J	C CAPACITOR	120pF 50V J	1	
	C5382	CC73HCH1H121J	C CAPACITOR	120pF 50V J	1	
	C5383	CK73HXR1A104K	C CAPACITOR	0.1uF 10V K	1	
	C5385	CC73HCH1H102J	C CAPACITOR	1000pF 50V J	1	
	C5401	CC73HCH1H221J	C CAPACITOR	220pF 50V J	1	
	C5471	CK73HXR1A104K	C CAPACITOR	0.1uF 10V K	1	
	C5472	CK73HXR1A104K	C CAPACITOR	0.1uF 10V K	1	
	C5475	CC73HCH1H221J	C CAPACITOR	220pF 50V J	1	
	C5479	CK73HXR1A104K	C CAPACITOR	0.1uF 10V K	1	
	C5480	CK73HXR1A104K	C CAPACITOR	0.1uF 10V K	1	
	C5481	CK73HXR1A104K	C CAPACITOR	0.1uF 10V K	1	
	C5482	CK73HXR1A104K	C CAPACITOR	0.1uF 10V K	1	
	C5484	CK73HXR1A104K	C CAPACITOR	0.1uF 10V K	1	
	C5485	CK73HXR1A104K	C CAPACITOR	0.1uF 10V K	1	
	C5486	CK73HXR1A104K	C CAPACITOR	0.1uF 10V K	1	
	C5487	CK73HXR1A104K	C CAPACITOR	0.1uF 10V K	1	
	C5488	CK73HXR1A104K	C CAPACITOR	0.1uF 10V K	1	
	C5489	CK73HXR1A104K	C CAPACITOR	0.1uF 10V K	1	
	C5490	CK73HXR1A104K	C CAPACITOR	0.1uF 10V K	1	
	C5491	CK73FXR1C106K	C CAPACITOR	10uF 16V K	1	
	C5493	CK73FXR1C106K	C CAPACITOR	10uF 16V K	1	
	C5494	CK73GXR0J106M	C CAPACITOR	10uF 6.3V M	1	
	C5495	CK73GXR0J106M	C CAPACITOR	10uF 6.3V M	1	
	C5496	CK73FXR1C106K	C CAPACITOR	10uF 16V K	1	
	C5497	CK73GXR0J106M	C CAPACITOR	10uF 6.3V M	1	
	C5498	CK73FXR1C106K	C CAPACITOR	10uF 16V K	1	
	C5499	CK73GXR0J106M	C CAPACITOR	10uF 6.3V M	1	
	C5500	CK73HXR1H103K	C CAPACITOR	0.01uF 50V K	1	
	C5501	CK73HXR1H103K	C CAPACITOR	0.01uF 50V K	1	
	C5502	CK73HXR1H103K	C CAPACITOR	0.01uF 50V K	1	
	C5503	CK73HXR1H103K	C CAPACITOR	0.01uF 50V K	1	
	C5504	CC73HCH1H102J	C CAPACITOR	1000pF 50V J	1	

MODEL	MARK	MODEL	MARK
DDX6706S	K1	DDX6906S	K0

Safe	Symbol No.	Parts No.	Parts Name	Description	QTY	Local
	C5505	CC73HCH1H102J	C CAPACITOR	1000pF 50V J	1	
	C5506	CC73HCH1H102J	C CAPACITOR	1000pF 50V J	1	
	C5507	CK73HXR1C105K	C CAPACITOR	1uF 16V K	1	
	C5508	CK73HXR1C105K	C CAPACITOR	1uF 16V K	1	
	C5509	CK73HXR1C105K	C CAPACITOR	1uF 16V K	1	
	C5510	CK73HXR1C105K	C CAPACITOR	1uF 16V K	1	
	C5511	CC73HCH1H100D	C CAPACITOR	10pF 50V D	1	
	C5512	CC73HCH1H120J	C CAPACITOR	12pF 50V J	1	
	C5513	CK73HXR1C105K	C CAPACITOR	1uF 16V K	1	
	C5514	CK73HXR1A104K	C CAPACITOR	0.1uF 10V K	1	
	C5515	CK73HXR1A104K	C CAPACITOR	0.1uF 10V K	1	
	C5516	CK73GXR0J106M	C CAPACITOR	10uF 6.3V M	1	
	C5517	CK73GXR0J106M	C CAPACITOR	10uF 6.3V M	1	
	C5518	CK73FXR1C106K	C CAPACITOR	10uF 16V K	1	
	C5519	CK73FXR1C106K	C CAPACITOR	10uF 16V K	1	
	C5521	CK73HXR1C105K	C CAPACITOR	1uF 16V K	1	
	C5523	CK73HXR1A104K	C CAPACITOR	0.1uF 10V K	1	
	C5524	CK73HXR1A104K	C CAPACITOR	0.1uF 10V K	1	
	C5534	CK73HXR1C105K	C CAPACITOR	1uF 16V K	1	
	C5535	CK73HXR1C105K	C CAPACITOR	1uF 16V K	1	
	C5536	CK73HXR1C105K	C CAPACITOR	1uF 16V K	1	
	C5537	CK73HXR1C105K	C CAPACITOR	1uF 16V K	1	
	C5538	CK73FXR1C106K	C CAPACITOR	10uF 16V K	1	
	C5632	CK73HXR1A104K	C CAPACITOR	0.1uF 10V K	1	
	C5701	CK73HXR1E104K	C CAPACITOR	0.1uF 25V K	1	
	C5903	CK73EXR1E106K	C CAPACITOR	10uF 25V K	1	
	C5904	CK73EXR1E106K	C CAPACITOR	10uF 25V K	1	
	C5905	CK73GXR1E224K	C CAPACITOR	0.022uF 25V K	1	
	C5907	CK73HXR1H104K	C CAPACITOR	0.1uF 50V K	1	
	C5908	CK73HXR1H104K	C CAPACITOR	0.1uF 50V K	1	
	C5910	CC73HCH1H560J	C CAPACITOR	56pF 50V J	1	
	C5911	CK73EXR0J476M	C CAPACITOR	47uF 6.3V M	1	
	C5912	CK73EXR0J476M	C CAPACITOR	47uF 6.3V M	1	
	C5913	CC73HCH1H221J	C CAPACITOR	220pF 50V J	1	
	C5916	CK73EXR1E106K	C CAPACITOR	10uF 25V K	1	
	C5917	CK73EXR1E106K	C CAPACITOR	10uF 25V K	1	
	C5918	CK73GXR1E224K	C CAPACITOR	0.022uF 25V K	1	
	C5920	CK73HXR1H104K	C CAPACITOR	0.1uF 50V K	1	
	C5921	CK73HXR1H104K	C CAPACITOR	0.1uF 50V K	1	
	C5923	CC73HCH1H470J	C CAPACITOR	47pF 50V J	1	
	C5924	CK73EXR0J476M	C CAPACITOR	47uF 6.3V M	1	
	C5925	CK73EXR0J476M	C CAPACITOR	47uF 6.3V M	1	
	C5926	CC73HCH1H221J	C CAPACITOR	220pF 50V J	1	
	C5933	CK73HXR1C105K	C CAPACITOR	1uF 16V K	1	
	C5934	CK73HXR1C105K	C CAPACITOR	1uF 16V K	1	
	C5936	CK73FXR1C106K	C CAPACITOR	10uF 16V K	1	
	C5937	CK73FXR1C106K	C CAPACITOR	10uF 16V K	1	
	C5938	CK73FXR1C106K	C CAPACITOR	10uF 16V K	1	
	C5940	CK73FXR1C106K	C CAPACITOR	10uF 16V K	1	
	C5941	CK73FXR1C106K	C CAPACITOR	10uF 16V K	1	
	C5951	CK73HXR1A104K	C CAPACITOR	0.1uF 10V K	1	
	C5961	CC73HCH1H220J	C CAPACITOR	22pF 50V J	1	
	C5983	CK73EXR1E106K	C CAPACITOR	10uF 25V K	1	
	C5984	CK73EXR1E106K	C CAPACITOR	10uF 25V K	1	
	C5985	CK73GXR1E224K	C CAPACITOR	0.022uF 25V K	1	
	C5991	CK73HXR1H104K	C CAPACITOR	0.1uF 50V K	1	
	C5993	CK73HXR1H104K	C CAPACITOR	0.1uF 50V K	1	
	C5995	CC73HCH1H560J	C CAPACITOR	56pF 50V J	1	
	C5996	CK73EXR0J476M	C CAPACITOR	47uF 6.3V M	1	
	C5997	CK73EXR0J476M	C CAPACITOR	47uF 6.3V M	1	
	C5998	CC73HCH1H221J	C CAPACITOR	220pF 50V J	1	
	C6025	CC73HCH1H221J	C CAPACITOR	220pF 50V J	1	
	C6026	CK73FXR1C106K	C CAPACITOR	10uF 16V K	1	
	C6027	CC73HCH1H221J	C CAPACITOR	220pF 50V J	1	
	C6028	CK73HXR1E104K	C CAPACITOR	0.1uF 25V K	1	
	C6029	CK73HXR1H103K	C CAPACITOR	0.01uF 50V K	1	
	C6030	CK73HXR1E104K	C CAPACITOR	0.1uF 25V K	1	
	C6301	CK73HXR1H103K	C CAPACITOR	0.01uF 50V K	1	
	R632	RK73HH1J271D	MG RESISTOR	270Ω 1/16W D	1	
	R633	RK73HH1J750D	MG RESISTOR	75Ω 1/16W D	1	
	R5003	RK73HB1J000J	MG RESISTOR	0Ω 1/16W J	1	
	R5004	RK73HB1J000J	MG RESISTOR	0Ω 1/16W J	1	
	R5005	RK73HB1J103J	MG RESISTOR	10kΩ 1/16W J	1	
	R5006	RK73HB1J105J	MG RESISTOR	1MΩ 1/16W J	1	
	R5007	RK73HB1J103J	MG RESISTOR	10kΩ 1/16W J	1	
	R5008	RK73HB1J101J	MG RESISTOR	100Ω 1/16W J	1	
	R5012	RK73HB1J752J	MG RESISTOR	7.5kΩ 1/16W J	1	
	R5016	RK73HB1J103J	MG RESISTOR	10kΩ 1/16W J	1	
	R5017	RK73HB1J103J	MG RESISTOR	10kΩ 1/16W J	1	
	R5018	RK73HB1J103J	MG RESISTOR	10kΩ 1/16W J	1	
	R5021	RK73HB1J000J	MG RESISTOR	0Ω 1/16W J	1	
	R5023	RK73HB1J472J	MG RESISTOR	4.7kΩ 1/16W J	1	
	R5024	RK73HB1J470J	MG RESISTOR	47Ω 1/16W J	1	
	R5025	RK73HB1J470J	MG RESISTOR	47Ω 1/16W J	1	
	R5026	RK73HB1J470J	MG RESISTOR	47Ω 1/16W J	1	
	R5027	RK73HH1J432D	MG RESISTOR	4.3kΩ 1/16W D	1	
	R5028	RK73HB1J103J	MG RESISTOR	10kΩ 1/16W J	1	
	R5029	RK73HB1J470J	MG RESISTOR	47Ω 1/16W J	1	
	R5030	RK73HB1J470J	MG RESISTOR	47Ω 1/16W J	1	
	R5031	RK73HB1J470J	MG RESISTOR	47Ω 1/16W J	1	
	R5032	RK73HB1J470J	MG RESISTOR	47Ω 1/16W J	1	
	R5034	RK73HB1J182J	MG RESISTOR	1.8kΩ 1/16W J	1	

MODEL	MARK	MODEL	MARK
DDX6706S	K1	DDX6906S	K0

Safe	Symbol No.	Parts No.	Parts Name	Description	QTY	Local
	R5036	RK73HB1J472J	MG RESISTOR	4.7kΩ 1/16W J	1	
	R5037	RK73HB1J470J	MG RESISTOR	47Ω 1/16W J	1	
	R5038	RK73HB1J470J	MG RESISTOR	47Ω 1/16W J	1	
	R5039	RK73HB1J182J	MG RESISTOR	1.8kΩ 1/16W J	1	
	R5040	RK73HB1J103J	MG RESISTOR	10kΩ 1/16W J	1	
	R5041	RK73HB1J103J	MG RESISTOR	10kΩ 1/16W J	1	
	R5042	RK73HH1J102D	MG RESISTOR	1kΩ 1/16W D	1	
	R5043	RK73HH1J102D	MG RESISTOR	1kΩ 1/16W D	1	
	R5044	RK73HB1J473J	MG RESISTOR	47kΩ 1/16W J	1	
	R5046	RK73HH1J201D	MG RESISTOR	200Ω 1/16W D	1	
	R5047	RK73HB1J272J	MG RESISTOR	2.7kΩ 1/16W J	1	
	R5048	RK73HB1J102J	MG RESISTOR	1kΩ 1/16W J	1	
	R5049	RK73HH1J201D	MG RESISTOR	200Ω 1/16W D	1	
	R5050	RK73HB1J102J	MG RESISTOR	1kΩ 1/16W J	1	
	R5051	RK73HB1J272J	MG RESISTOR	2.7kΩ 1/16W J	1	
	R5052	RK73HB1J472J	MG RESISTOR	4.7kΩ 1/16W J	1	
	R5053	RK73HB1J472J	MG RESISTOR	4.7kΩ 1/16W J	1	
	R5054	RK73HB1J103J	MG RESISTOR	10kΩ 1/16W J	1	
	R5055	RK73HB1J103J	MG RESISTOR	10kΩ 1/16W J	1	
	R5056	RK73HB1J472J	MG RESISTOR	4.7kΩ 1/16W J	1	
	R5058	RK73HB1J473J	MG RESISTOR	47kΩ 1/16W J	1	
	R5059	RK73HB1J272J	MG RESISTOR	2.7kΩ 1/16W J	1	
	R5060	RK73HB1J472J	MG RESISTOR	4.7kΩ 1/16W J	1	
	R5062	RK73HB1J472J	MG RESISTOR	4.7kΩ 1/16W J	1	
	R5064	RK73HB1J472J	MG RESISTOR	4.7kΩ 1/16W J	1	
	R5068	RK73HB1J103J	MG RESISTOR	10kΩ 1/16W J	1	
	R5069	RK73HB1J103J	MG RESISTOR	10kΩ 1/16W J	1	
	R5071	RK73HB1J272J	MG RESISTOR	2.7kΩ 1/16W J	1	
	R5073	RK73HH1J104D	MG RESISTOR	100kΩ 1/16W D	1	
	R5074	RK73HB1J103J	MG RESISTOR	10kΩ 1/16W J	1	
	R5075	RK73HB1J103J	MG RESISTOR	10kΩ 1/16W J	1	
	R5076	RK73HB1J103J	MG RESISTOR	10kΩ 1/16W J	1	
	R5077	RK73HH1J241D	MG RESISTOR	240Ω 1/16W D	1	
	R5081	RK73HB1J000J	MG RESISTOR	0Ω 1/16W J	1	
	R5090	RK73HB1J103J	MG RESISTOR	10kΩ 1/16W J	1	
	R5091	RK73HB1J103J	MG RESISTOR	10kΩ 1/16W J	1	
	R5092	RK73HB1J103J	MG RESISTOR	10kΩ 1/16W J	1	
	R5094	RK73HB1J103J	MG RESISTOR	10kΩ 1/16W J	1	
	R5095	RK73HB1J103J	MG RESISTOR	10kΩ 1/16W J	1	
	R5097	RK73HB1J223J	MG RESISTOR	22kΩ 1/16W J	1	
	R5098	RK73HB1J103J	MG RESISTOR	10kΩ 1/16W J	1	
	R5100	RK73HB1J103J	MG RESISTOR	10kΩ 1/16W J	1	
	R5101	RK73HB1J103J	MG RESISTOR	10kΩ 1/16W J	1	
	R5102	RK73HB1J103J	MG RESISTOR	10kΩ 1/16W J	1	
	R5103	RK73HB1J103J	MG RESISTOR	10kΩ 1/16W J	1	
	R5104	RK73HB1J472J	MG RESISTOR	4.7kΩ 1/16W J	1	
	R5105	RK73HB1J103J	MG RESISTOR	10kΩ 1/16W J	1	
	R5106	RK73HB1J472J	MG RESISTOR	4.7kΩ 1/16W J	1	
	R5109	RK73HB1J272J	MG RESISTOR	2.7kΩ 1/16W J	1	
	R5111	RK73HB1J103J	MG RESISTOR	10kΩ 1/16W J	1	
	R5112	RK73HB1J103J	MG RESISTOR	10kΩ 1/16W J	1	
	R5113	RK73HB1J103J	MG RESISTOR	10kΩ 1/16W J	1	
	R5114	RK73HB1J103J	MG RESISTOR	10kΩ 1/16W J	1	
	R5115	RK73HB1J103J	MG RESISTOR	10kΩ 1/16W J	1	
	R5116	RK73HB1J272J	MG RESISTOR	2.7kΩ 1/16W J	1	
	R5117	RK73HB1J103J	MG RESISTOR	10kΩ 1/16W J	1	
	R5118	RK73HB1J103J	MG RESISTOR	10kΩ 1/16W J	1	
	R5119	RK73HB1J103J	MG RESISTOR	10kΩ 1/16W J	1	
	R5120	RK73HB1J272J	MG RESISTOR	2.7kΩ 1/16W J	1	
	R5121	RK73HB1J103J	MG RESISTOR	10kΩ 1/16W J	1	
	R5122	RK73HB1J103J	MG RESISTOR	10kΩ 1/16W J	1	
	R5123	RK73HB1J103J	MG RESISTOR	10kΩ 1/16W J	1	
	R5124	RK73HB1J272J	MG RESISTOR	2.7kΩ 1/16W J	1	
	R5126	RK73HB1J103J	MG RESISTOR	10kΩ 1/16W J	1	
	R5127	RK73HB1J103J	MG RESISTOR	10kΩ 1/16W J	1	
	R5128	RK73HB1J103J	MG RESISTOR	10kΩ 1/16W J	1	
	R5137	RK73HB1J000J	MG RESISTOR	0Ω 1/16W J	1	
	R5145	RK73HH1J123D	MG RESISTOR	12kΩ 1/16W D	1	
	R5146	RK73HH1J243D	MG RESISTOR	24kΩ 1/16W D	1	
	R5147	RK73HB1J473J	MG RESISTOR	47kΩ 1/16W J	1	
	R5148	RK73HB1J272J	MG RESISTOR	2.7kΩ 1/16W J	1	
	R5151	RK73HB1J103J	MG RESISTOR	10kΩ 1/16W J	1	
	R5203	RK73HB1J103J	MG RESISTOR	10kΩ 1/16W J	1	
	R5204	RK73HB1J472J	MG RESISTOR	4.7kΩ 1/16W J	1	
	R5205	RK73HB1J272J	MG RESISTOR	2.7kΩ 1/16W J	1	
	R5206	RK73HB1J103J	MG RESISTOR	10kΩ 1/16W J	1	
	R5207	RK73HB1J103J	MG RESISTOR	10kΩ 1/16W J	1	
	R5265	RK73HB1J103J	MG RESISTOR	10kΩ 1/16W J	1	
	R5266	RK73HB1J473J	MG RESISTOR	47kΩ 1/16W J	1	
	R5268	RK73HB1J101J	MG RESISTOR	100Ω 1/16W J	1	
	R5269	RK73HB1J220J	MG RESISTOR	22Ω 1/16W J	1	
	R5270	RK73HB1J100J	MG RESISTOR	10Ω 1/16W J	1	
	R5301	RK73HH1J102D	MG RESISTOR	1kΩ 1/16W D	1	
	R5302	RK73HH1J102D	MG RESISTOR	1kΩ 1/16W D	1	
	R5303	RK73HH1J102D	MG RESISTOR	1kΩ 1/16W D	1	
	R5304	RK73HH1J102D	MG RESISTOR	1kΩ 1/16W D	1	
	R5305	RK73HH1J241D	MG RESISTOR	240Ω 1/16W D	1	
	R5306	RK73HH1J102D	MG RESISTOR	1kΩ 1/16W D	1	
	R5307	RK73HH1J102D	MG RESISTOR	1kΩ 1/16W D	1	
	R5308	RK73HH1J102D	MG RESISTOR	1kΩ 1/16W D	1	
	R5309	RK73HH1J102D	MG RESISTOR	1kΩ 1/16W D	1	
	R5310	RK73HH1J241D	MG RESISTOR	240Ω 1/16W D	1	
	R5311	RK73HH1J201D	MG RESISTOR	200Ω 1/16W D	1	

MODEL	MARK	MODEL	MARK
DDX6706S	K1	DDX6906S	K0

Safe	Symbol No.	Parts No.	Parts Name	Description	QTY	Local
	R5312	RK73HH1J201D	MG RESISTOR	200Ω 1/16W D	1	
	R5407	RK73HB1J101J	MG RESISTOR	100Ω 1/16W J	1	
	R5410	RK73HB1J221J	MG RESISTOR	220Ω 1/16W J	1	
	R5411	RK73HB1J221J	MG RESISTOR	220Ω 1/16W J	1	
	R5412	RK73HB1J390J	MG RESISTOR	39Ω 1/16W J	1	
	R5413	RK73GB2A000J	MG RESISTOR	0Ω 1/10W J	1	
	R5422	RK73HH1J201D	MG RESISTOR	200Ω 1/16W D	1	
	R5423	RK73HB1J000J	MG RESISTOR	0Ω 1/16W J	1	
	R5424	RK73HH1J201D	MG RESISTOR	200Ω 1/16W D	1	
	R5425	RK73HH1J201D	MG RESISTOR	200Ω 1/16W D	1	
	R5428	RK73HB1J473J	MG RESISTOR	47kΩ 1/16W J	1	
	R5429	RK73HB1J102J	MG RESISTOR	1kΩ 1/16W J	1	
	R5430	RK73HB1J105J	MG RESISTOR	1MΩ 1/16W J	1	
	R5432	RK73HB1J000J	MG RESISTOR	0Ω 1/16W J	1	
	R5435	RK73HB1J101J	MG RESISTOR	100Ω 1/16W J	1	
	R5444	RK73HB1J103J	MG RESISTOR	10kΩ 1/16W J	1	
	R5445	RK73HB1J000J	MG RESISTOR	0Ω 1/16W J	1	
	R5447	RK73HB1J000J	MG RESISTOR	0Ω 1/16W J	1	
	R5449	RK73HB1J000J	MG RESISTOR	0Ω 1/16W J	1	
	R5451	RK73HB1J000J	MG RESISTOR	0Ω 1/16W J	1	
	R5471	RK73HB1J103J	MG RESISTOR	10kΩ 1/16W J	1	
	R5473	RK73HB1J103J	MG RESISTOR	10kΩ 1/16W J	1	
	R5474	RK73HB1J101J	MG RESISTOR	100Ω 1/16W J	1	
	R5477	RK73HB1J101J	MG RESISTOR	100Ω 1/16W J	1	
	R5478	RK73HB1J101J	MG RESISTOR	100Ω 1/16W J	1	
	R5481	RK73HB1J101J	MG RESISTOR	100Ω 1/16W J	1	
	R5482	RK73HB1J101J	MG RESISTOR	100Ω 1/16W J	1	
	R5484	RK73HB1J101J	MG RESISTOR	100Ω 1/16W J	1	
	R5485	RK73HB1J101J	MG RESISTOR	100Ω 1/16W J	1	
	R5486	RK73HB1J101J	MG RESISTOR	100Ω 1/16W J	1	
	R5487	RK73HB1J101J	MG RESISTOR	100Ω 1/16W J	1	
	R5488	RK73HB1J101J	MG RESISTOR	100Ω 1/16W J	1	
	R5489	RK73HB1J101J	MG RESISTOR	100Ω 1/16W J	1	
	R5490	RK73HB1J101J	MG RESISTOR	100Ω 1/16W J	1	
	R5491	RK73HB1J101J	MG RESISTOR	100Ω 1/16W J	1	
	R5494	RK73HB1J000J	MG RESISTOR	0Ω 1/16W J	1	
	R5498	RK73HB1J101J	MG RESISTOR	100Ω 1/16W J	1	
	R5501	RK73HH1J201D	MG RESISTOR	200Ω 1/16W D	1	
	R5502	RK73HB1J823J	MG RESISTOR	82kΩ 1/16W J	1	
	R5503	RK73HB1J224J	MG RESISTOR	220kΩ 1/16W J	1	
	R5504	RK73HH1J201D	MG RESISTOR	200Ω 1/16W D	1	
	R5505	RK73HB1J823J	MG RESISTOR	82kΩ 1/16W J	1	
	R5506	RK73HB1J224J	MG RESISTOR	220kΩ 1/16W J	1	
	R5507	RK73HH1J201D	MG RESISTOR	200Ω 1/16W D	1	
	R5508	RK73HB1J823J	MG RESISTOR	82kΩ 1/16W J	1	
	R5509	RK73HB1J224J	MG RESISTOR	220kΩ 1/16W J	1	
	R5510	RK73HH1J201D	MG RESISTOR	200Ω 1/16W D	1	
	R5511	RK73HB1J823J	MG RESISTOR	82kΩ 1/16W J	1	
	R5512	RK73HB1J224J	MG RESISTOR	220kΩ 1/16W J	1	
	R5513	RK73HB1J000J	MG RESISTOR	0Ω 1/16W J	1	
	R5514	RK73HB1J000J	MG RESISTOR	0Ω 1/16W J	1	
	R5515	RK73HB1J000J	MG RESISTOR	0Ω 1/16W J	1	
	R5516	RK73HB1J000J	MG RESISTOR	0Ω 1/16W J	1	
	R5517	RK73HB1J000J	MG RESISTOR	0Ω 1/16W J	1	
	R5518	RK73HB1J000J	MG RESISTOR	0Ω 1/16W J	1	
	R5519	RK73HB1J000J	MG RESISTOR	0Ω 1/16W J	1	
	R5520	RK73HB1J000J	MG RESISTOR	0Ω 1/16W J	1	
	R5521	RK73HB1J000J	MG RESISTOR	0Ω 1/16W J	1	
	R5641	RK73HB1J122J	MG RESISTOR	1.2kΩ 1/16W J	1	
	R5643	RK73HB1J103J	MG RESISTOR	10kΩ 1/16W J	1	
	R5644	RK73HB1J272J	MG RESISTOR	2.7kΩ 1/16W J	1	
	R5645	RK73HB1J101J	MG RESISTOR	100Ω 1/16W J	1	
	R5646	RK73HB1J101J	MG RESISTOR	100Ω 1/16W J	1	
	R5647	RK73HB1J101J	MG RESISTOR	100Ω 1/16W J	1	
	R5648	RK73HB1J101J	MG RESISTOR	100Ω 1/16W J	1	
	R5649	RK73HB1J473J	MG RESISTOR	47kΩ 1/16W J	1	
	R5651	RK73HB1J101J	MG RESISTOR	100Ω 1/16W J	1	
	R5658	RK73HB1J473J	MG RESISTOR	47kΩ 1/16W J	1	
	R5665	RK73HB1J472J	MG RESISTOR	4.7kΩ 1/16W J	1	
	R5666	RK73HB1J103J	MG RESISTOR	10kΩ 1/16W J	1	
	R5667	RK73HB1J102J	MG RESISTOR	1kΩ 1/16W J	1	
	R5668	RK73HB1J472J	MG RESISTOR	4.7kΩ 1/16W J	1	
	R5669	RK73HB1J272J	MG RESISTOR	2.7kΩ 1/16W J	1	
	R5670	RK73HB1J472J	MG RESISTOR	4.7kΩ 1/16W J	1	
	R5703	RK73HB1J473J	MG RESISTOR	47kΩ 1/16W J	1	
	R5704	RK73HB1J473J	MG RESISTOR	47kΩ 1/16W J	1	
	R5705	RK73HB1J272J	MG RESISTOR	2.7kΩ 1/16W J	1	
	R5707	RK73HB1J000J	MG RESISTOR	0Ω 1/16W J	1	
	R5709	RK73HB1J473J	MG RESISTOR	47kΩ 1/16W J	1	
	R5753	RK73GB2A000J	MG RESISTOR	0Ω 1/10W J	1	
	R5754	RK73GB2A000J	MG RESISTOR	0Ω 1/10W J	1	
	R5804	RK73HB1J101J	MG RESISTOR	100Ω 1/16W J	1	
	R5805	RK73HB1J101J	MG RESISTOR	100Ω 1/16W J	1	
	R5806	RK73HB1J101J	MG RESISTOR	100Ω 1/16W J	1	
	R5808	RK73HB1J101J	MG RESISTOR	100Ω 1/16W J	1	
	R5809	RK73HB1J101J	MG RESISTOR	100Ω 1/16W J	1	
	R5810	RK73HB1J101J	MG RESISTOR	100Ω 1/16W J	1	
	R5811	RK73HB1J101J	MG RESISTOR	100Ω 1/16W J	1	
	R5815	RK73HB1J101J	MG RESISTOR	100Ω 1/16W J	1	
	R5816	RK73HB1J101J	MG RESISTOR	100Ω 1/16W J	1	
	R5817	RK73HB1J000J	MG RESISTOR	0Ω 1/16W J	1	
	R5828	RK73HB1J101J	MG RESISTOR	100Ω 1/16W J	1	

MODEL	MARK	MODEL	MARK
DDX6706S	K1	DDX6906S	K0

Safe	Symbol No.	Parts No.	Parts Name	Description	QTY	Local
	R5830	RK73HB1J101J	MG RESISTOR	100Ω 1/16W J	1	
	R5831	RK73HB1J000J	MG RESISTOR	0Ω 1/16W J	1	
	R5832	RK73HB1J101J	MG RESISTOR	100Ω 1/16W J	1	
	R5833	RK73HB1J000J	MG RESISTOR	0Ω 1/16W J	1	
	R5834	RK73HB1J101J	MG RESISTOR	100Ω 1/16W J	1	
	R5836	RK73HB1J331J	MG RESISTOR	330Ω 1/16W J	1	
	R5838	RK73HB1J101J	MG RESISTOR	100Ω 1/16W J	1	
	R5839	RK73HB1J101J	MG RESISTOR	100Ω 1/16W J	1	
	R5840	RK73HB1J101J	MG RESISTOR	100Ω 1/16W J	1	
	R5841	RK73HB1J101J	MG RESISTOR	100Ω 1/16W J	1	
	R5842	RK73HB1J000J	MG RESISTOR	0Ω 1/16W J	1	
	R5843	RK73HB1J101J	MG RESISTOR	100Ω 1/16W J	1	
	R5844	RK73HB1J000J	MG RESISTOR	0Ω 1/16W J	1	
	R5845	RK73HB1J000J	MG RESISTOR	0Ω 1/16W J	1	
	R5846	RK73HB1J000J	MG RESISTOR	0Ω 1/16W J	1	
	R5847	RK73HB1J101J	MG RESISTOR	100Ω 1/16W J	1	
	R5853	RK73HB1J101J	MG RESISTOR	100Ω 1/16W J	1	
	R5855	RK73HB1J101J	MG RESISTOR	100Ω 1/16W J	1	
	R5857	RK73HB1J101J	MG RESISTOR	100Ω 1/16W J	1	
	R5858	RK73HB1J101J	MG RESISTOR	100Ω 1/16W J	1	
	R5859	RK73HB1J101J	MG RESISTOR	100Ω 1/16W J	1	
	R5887	RK73HB1J000J	MG RESISTOR	0Ω 1/16W J	1	
	R5911	RK73HB1J000J	MG RESISTOR	0Ω 1/16W J	1	
	R5912	RK73HB1J000J	MG RESISTOR	0Ω 1/16W J	1	
	R5913	RK73HB1J000J	MG RESISTOR	0Ω 1/16W J	1	
	R5918	RK73GB2A200J	MG RESISTOR	20Ω 1/10W J	1	
	R5920	RK73HH1J103D	MG RESISTOR	10kΩ 1/16W D	1	
	R5921	RK73HB1J000J	MG RESISTOR	0Ω 1/16W J	1	
	R5922	RK73HH1J102D	MG RESISTOR	1kΩ 1/16W D	1	
	R5923	RK73HH1J222D	MG RESISTOR	2.2kΩ 1/16W D	1	
	R5924	RK73HH1J393D	MG RESISTOR	39kΩ 1/16W D	1	
	R5925	RK73HH1J123D	MG RESISTOR	12kΩ 1/16W D	1	
	R5926	RK73GB2A331J	MG RESISTOR	330Ω 1/10W J	1	
	R5927	RK73HB1J101J	MG RESISTOR	100Ω 1/16W J	1	
	R5928	RK73GB2A200J	MG RESISTOR	20Ω 1/10W J	1	
	R5930	RK73HH1J273D	MG RESISTOR	27kΩ 1/16W D	1	
	R5931	RK73HB1J000J	MG RESISTOR	0Ω 1/16W J	1	
	R5932	RK73HH1J563D	MG RESISTOR	56kΩ 1/16W D	1	
	R5933	RK73HH1J222D	MG RESISTOR	2.2kΩ 1/16W D	1	
	R5934	RK73HH1J393D	MG RESISTOR	39kΩ 1/16W D	1	
	R5935	RK73HH1J823D	MG RESISTOR	82kΩ 1/16W D	1	
	R5954	RK73HH1J183D	MG RESISTOR	18kΩ 1/16W D	1	
	R5955	RK73HH1J153D	MG RESISTOR	15kΩ 1/16W D	1	
	R5956	RK73HH1J751D	MG RESISTOR	750Ω 1/16W D	1	
	R5960	RK73HB1J102J	MG RESISTOR	1kΩ 1/16W J	1	
	R5961	RK73HB1J473J	MG RESISTOR	47kΩ 1/16W J	1	
	R5962	RK73HB1J223J	MG RESISTOR	22kΩ 1/16W J	1	
	R5964	RK73HB1J101J	MG RESISTOR	100Ω 1/16W J	1	
	R5966	RK73HB1J221J	MG RESISTOR	220Ω 1/16W J	1	
	R5970	RK73GB2A331J	MG RESISTOR	330Ω 1/10W J	1	
	R5971	RK73GB2A331J	MG RESISTOR	330Ω 1/10W J	1	
	R5987	RK73HB1J101J	MG RESISTOR	100Ω 1/16W J	1	
	R5988	RK73GB2A200J	MG RESISTOR	20Ω 1/10W J	1	
	R5990	RK73HH1J273D	MG RESISTOR	27kΩ 1/16W D	1	
	R5991	RK73HB1J000J	MG RESISTOR	0Ω 1/16W J	1	
	R5992	RK73HH1J243D	MG RESISTOR	24kΩ 1/16W D	1	
	R5993	RK73HH1J222D	MG RESISTOR	2.2kΩ 1/16W D	1	
	R5994	RK73HH1J393D	MG RESISTOR	39kΩ 1/16W D	1	
	R5995	RK73HH1J823D	MG RESISTOR	82kΩ 1/16W D	1	
	R6009	RK73HB1J101J	MG RESISTOR	100Ω 1/16W J	1	
	R6043	RK73HB1J680J	MG RESISTOR	68Ω 1/16W J	1	
	R6044	RK73HB1J680J	MG RESISTOR	68Ω 1/16W J	1	
	R6045	RK73HB1J680J	MG RESISTOR	68Ω 1/16W J	1	
	R6046	RK73HB1J680J	MG RESISTOR	68Ω 1/16W J	1	
	R6047	RK73HB1J680J	MG RESISTOR	68Ω 1/16W J	1	
	R6048	RK73HB1J680J	MG RESISTOR	68Ω 1/16W J	1	
	R6049	RK73HB1J680J	MG RESISTOR	68Ω 1/16W J	1	
	R6050	RK73HB1J680J	MG RESISTOR	68Ω 1/16W J	1	
	R6051	RK73HB1J680J	MG RESISTOR	68Ω 1/16W J	1	
	R6052	RK73HB1J680J	MG RESISTOR	68Ω 1/16W J	1	
	R6053	RK73HB1J680J	MG RESISTOR	68Ω 1/16W J	1	
	R6054	RK73HB1J680J	MG RESISTOR	68Ω 1/16W J	1	
	R6055	RK73HB1J680J	MG RESISTOR	68Ω 1/16W J	1	
	R6056	RK73HB1J680J	MG RESISTOR	68Ω 1/16W J	1	
	R6057	RK73HB1J680J	MG RESISTOR	68Ω 1/16W J	1	
	R6058	RK73HB1J680J	MG RESISTOR	68Ω 1/16W J	1	
	R6059	RK73HB1J680J	MG RESISTOR	68Ω 1/16W J	1	
	R6060	RK73HB1J680J	MG RESISTOR	68Ω 1/16W J	1	
	R6062	RK73HB1J390J	MG RESISTOR	39Ω 1/16W J	1	
	R6066	RK73HB1J680J	MG RESISTOR	68Ω 1/16W J	1	
	R6081	RK73HB1J123J	MG RESISTOR	12kΩ 1/16W J	1	
	R6082	RK73HB1J123J	MG RESISTOR	12kΩ 1/16W J	1	
	R6103	RK73HB1J000J	MG RESISTOR	0Ω 1/16W J	1	
	R6105	RK73HB1J000J	MG RESISTOR	0Ω 1/16W J	1	
	R6106	RK73HB1J000J	MG RESISTOR	0Ω 1/16W J	1	
	R6107	RK73HB1J000J	MG RESISTOR	0Ω 1/16W J	1	
	R6108	RK73HB1J000J	MG RESISTOR	0Ω 1/16W J	1	
	R6301	RK73HB1J220J	MG RESISTOR	22Ω 1/16W J	1	
	R6302	RK73HB1J220J	MG RESISTOR	22Ω 1/16W J	1	
	R6314	RK73HB1J103J	MG RESISTOR	10kΩ 1/16W J	1	
	R6315	RK73HB1J103J	MG RESISTOR	10kΩ 1/16W J	1	
	R6317	RK73HB1J472J	MG RESISTOR	4.7kΩ 1/16W J	1	

MODEL	MARK	MODEL	MARK
DDX6706S	K1	DDX6906S	K0

Safe	Symbol No.	Parts No.	Parts Name	Description	QTY	Local
	R6318	RK73HB1J472J	MG RESISTOR	4.7kΩ 1/16W J	1	
	R6320	RK73HB1J472J	MG RESISTOR	4.7kΩ 1/16W J	1	
	R6321	RK73HB1J472J	MG RESISTOR	4.7kΩ 1/16W J	1	
	R6322	RK73HB1J472J	MG RESISTOR	4.7kΩ 1/16W J	1	
	R6323	RK73HB1J103J	MG RESISTOR	10kΩ 1/16W J	1	
	R6324	RK73HB1J472J	MG RESISTOR	4.7kΩ 1/16W J	1	
	R6327	RK73HB1J223J	MG RESISTOR	22kΩ 1/16W J	1	
	R6331	RK73HB1J272J	MG RESISTOR	2.7kΩ 1/16W J	1	
	RA5201	RK74HB1J680J	NET RESISTOR	68Ω 1/16W J	1	
	RA5202	RK74HB1J680J	NET RESISTOR	68Ω 1/16W J	1	
	RA5203	RK74HB1J680J	NET RESISTOR	68Ω 1/16W J	1	
	RA5204	RK74HB1J680J	NET RESISTOR	68Ω 1/16W J	1	
	RA5251	RK74HB1J473J	NET RESISTOR	47kΩ 1/16W J	1	
	RA5252	RK74HB1J473J	NET RESISTOR	47kΩ 1/16W J	1	
	RA5253	RK74HB1J220J	NET RESISTOR	22Ω 1/16W J	1	
	RA5254	RK74HB1J220J	NET RESISTOR	22Ω 1/16W J	1	
	RA6001	RK74HB1J101J	NET RESISTOR	100Ω 1/16W J	1	
	RA6002	RK74HB1J101J	NET RESISTOR	100Ω 1/16W J	1	
	RA6003	RK74HB1J101J	NET RESISTOR	100Ω 1/16W J	1	
	RA6301	RK74HB1J101J	NET RESISTOR	100Ω 1/16W J	1	
	RA6302	RK74HB1J220J	NET RESISTOR	22Ω 1/16W J	1	
	RA6303	RK74HB1J220J	NET RESISTOR	22Ω 1/16W J	1	
	L631	LB73G0ED-004	CHIP FERRITE		1	
	L5001	LB73G0ED-003	CHIP FERRITE		1	
	L5002	LB73G0ED-003	CHIP FERRITE		1	
	L5402	LB73G0ED-004	CHIP FERRITE		1	
	L5403	LB73G0ED-004	CHIP FERRITE		1	
	L5405	LB73G0ED-004	CHIP FERRITE		1	
	L5406	LB73G0ED-004	CHIP FERRITE		1	
	L5501	LB73G0ED-004	CHIP FERRITE		1	
	L5901	LR7920EW5R1N	CHIP INDUCTOR	5.1uF	1	
	L5902	LR7920EW5R1N	CHIP INDUCTOR	5.1uF	1	
	L5903	LR7920EW5R1N	CHIP INDUCTOR	5.1uF	1	
	L5904	LB73G0ED-004	CHIP FERRITE		1	
	L6001	LB73H0EK-001	CHIP FERRITE		1	
	L6002	LB73H0EK-001	CHIP FERRITE		1	
	L6003	LB73H0EK-001	CHIP FERRITE		1	
	L6004	LB73H0EK-001	CHIP FERRITE		1	
	L6005	LB73H0EK-001	CHIP FERRITE		1	
	L6006	LB73H0EK-001	CHIP FERRITE		1	
	L6007	LB73H0EK-001	CHIP FERRITE		1	
	L6008	LB73H0EK-001	CHIP FERRITE		1	
	L6009	LB73H0EK-001	CHIP FERRITE		1	
	L6010	LB73H0EK-001	CHIP FERRITE		1	
	L6011	LB73H0EK-001	CHIP FERRITE		1	
	L6012	LB73H0EK-001	CHIP FERRITE		1	
	L6013	LB73H0EK-001	CHIP FERRITE		1	
	L6014	LB73H0EK-001	CHIP FERRITE		1	
	L6015	LB73H0EK-001	CHIP FERRITE		1	
	L6016	LB73H0EK-001	CHIP FERRITE		1	
	L6017	LB73H0EK-001	CHIP FERRITE		1	
	L6018	LB73H0EK-001	CHIP FERRITE		1	
	L6020	LB73H0EK-001	CHIP FERRITE		1	
	L6024	LB73H0EK-001	CHIP FERRITE		1	
	L6025	LR7920JP5R1N	CHIP INDUCTOR	5.1uF	1	
	CN527	EC720AT-0516A	FFC FPC CONNE		1	
	CN571	EA720AP-2005A	W TO B CONNE	5P	1	
	CN572	EA720AX-1503A	W TO B CONNE	3P	1	
	CN581	EB760AX-05C0B	B TO B CONNE	120P	1	
	CN601	EC720AB-0570A	FFC FPC CONNE	70P	1	
△	F5901	FZA10BF-R50	FUSE (CC)	0.5A	1	
△	F5902	FZA10BF-R50	FUSE (CC)	0.5A	1	
	VA5732	SDV1005H26//0	VARIATOR		1	
	VA5733	SDV1005H26//0	VARIATOR		1	
	VA5734	SDV1005H26//0	VARIATOR		1	
	VA5735	SDV1005H26//0	VARIATOR		1	
	VA6301	SDV1005H26//0	VARIATOR		1	
	VA6302	SDV1005H26//0	VARIATOR		1	
	VA6303	SDV1005H26//0	VARIATOR		1	
	X5001	L7J-0138-00	QUARTZ CRYSTAL		1	
	X5401	L7J-0146-00	QUARTZ CRYSTAL		1	
	TUNER PWB ASSY (XJM-016K-01) <XJM>					
	IC1	TEF6642HWV101	ANALOG IC		1	
	IC2	BU12TD3WG	MOS IC		1	
	D2	RN731V	DIODE		1	
	D3	RN731V	DIODE		1	
	C1	CC73GCH1H220J	C CAPACITOR	22pF 50V J	1	
	C2	CC73GCH1H060D	C CAPACITOR	6pF 50V D	1	
	C6	CK73GGB1H102K	C CAPACITOR	1000pF 50V K	1	
	C7	CK73GGB1H102K	C CAPACITOR	1000pF 50V K	1	
	C11	CC73GCH1H470J	C CAPACITOR	47pF 50V J	1	
	C12	CC73GCH1H030C	C CAPACITOR	3pF 50V C	1	
	C15	CK73GGB1H222K	C CAPACITOR	2200pF 50V K	1	
	C16	CC73GCH1H150J	C CAPACITOR	15pF 50V J	1	
	C17	CC73GCH1H060D	C CAPACITOR	6pF 50V D	1	
	C18	CC73GCH1H120J	C CAPACITOR	12pF 50V J	1	
	C19	CC73GCH1H080D	C CAPACITOR	8pF 50V D	1	
	C20	CC73GCH1H120J	C CAPACITOR	12pF 50V J	1	
	C21	CC73GCH1H080D	C CAPACITOR	8pF 50V D	1	
	C22	CC73GCH1H471J	C CAPACITOR	470pF 50V J	1	
	C23	CK73GXR1H104K	C CAPACITOR	0.1uF 50V K	1	
	C24	CK73GGB1H102K	C CAPACITOR	1000pF 50V K	1	

MODEL	MARK	MODEL	MARK
DDX6706S	K1	DDX6906S	K0

Safe	Symbol No.	Parts No.	Parts Name	Description	QTY	Local
	C25	CK73GBB1H102K	C CAPACITOR	1000pF 50V K	1	
	C26	CK73GBB1A105K	C CAPACITOR	1uF 10V K	1	
	C27	CK730BW1C106K	C CAPACITOR	10uF 16V K	1	
	C28	CK73GBB1C224K	C CAPACITOR	0.22uF 16V K	1	
	C29	CK73HBB1H332K	C CAPACITOR	3300pF 50V K	1	
	C30	CK730BW1C106K	C CAPACITOR	10uF 16V K	1	
	C32	CK73GBB1H103K	C CAPACITOR	0.01uF 50V K	1	
	C33	CK73GBB1H682K	C CAPACITOR	6800pF 50V K	1	
	C34	CK73GBB1H103K	C CAPACITOR	0.01uF 50V K	1	
	C35	CK73GBB1H682K	C CAPACITOR	6800pF 50V K	1	
	C36	CK73HBB1A104K	C CAPACITOR	0.1uF 10V K	1	
	C37	CK730BW1C106K	C CAPACITOR	10uF 16V K	1	
	C38	CK730BW1C106K	C CAPACITOR	10uF 16V K	1	
	C39	CK73GXR0J475K	C CAPACITOR	4.7uF 6.3V K	1	
	C40	CK73GBB1A105K	C CAPACITOR	1uF 10V K	1	
	C41	CK73GBB1A105K	C CAPACITOR	1uF 10V K	1	
	C44	CC73GCH1H221J	C CAPACITOR	220pF 50V J	1	
	C45	CK73GXR1H104K	C CAPACITOR	0.1uF 50V K	1	
	C46	CK73GXR1H104K	C CAPACITOR	0.1uF 50V K	1	
	C49	CK730BW1C106K	C CAPACITOR	10uF 16V K	1	
	C51	CK73GBB1A105K	C CAPACITOR	1uF 10V K	1	
	C52	CK73GBB1A105K	C CAPACITOR	1uF 10V K	1	
	C53	CK73GXR1H104K	C CAPACITOR	0.1uF 50V K	1	
	C60	CK73GBB1A105K	C CAPACITOR	1uF 10V K	1	
	C61	CK730BW1C106K	C CAPACITOR	10uF 16V K	1	
	R1	RK73GB2A000J	MG RESISTOR	0Ω 1/10W J	1	
	R2	RK73GB2A105J	MG RESISTOR	1MΩ 1/10W J	1	
	R3	RK73GB2A471J	MG RESISTOR	470Ω 1/10W J	1	
	R4	RK73GB2A271J	MG RESISTOR	270Ω 1/10W J	1	
	R5	RK73GB2A105J	MG RESISTOR	1MΩ 1/10W J	1	
	R7	RK73GB2A105J	MG RESISTOR	1MΩ 1/10W J	1	
	R8	RK73GB2A105J	MG RESISTOR	1MΩ 1/10W J	1	
	R9	RK73GB2A102J	MG RESISTOR	1kΩ 1/10W J	1	
	R10	RK73GB2A102J	MG RESISTOR	1kΩ 1/10W J	1	
	R11	RK73GB2A120J	MG RESISTOR	12Ω 1/10W J	1	
	R42	RK73GB2A000J	MG RESISTOR	0Ω 1/10W J	1	
	R43	RK73GB2A000J	MG RESISTOR	0Ω 1/10W J	1	
	R44	RK73GB2A000J	MG RESISTOR	0Ω 1/10W J	1	
	R47	RK73GB2A000J	MG RESISTOR	0Ω 1/10W J	1	
	R50	RK73GB2A000J	MG RESISTOR	0Ω 1/10W J	1	
	R51	RK73GB2A000J	MG RESISTOR	0Ω 1/10W J	1	
	R52	RK73GB2A000J	MG RESISTOR	0Ω 1/10W J	1	
	R53	RK73GB2A101J	MG RESISTOR	100Ω 1/10W J	1	
	R54	RK73GB2A101J	MG RESISTOR	100Ω 1/10W J	1	
	R56	RK73GB2A3R3J	MG RESISTOR	3.3Ω 1/10W J	1	
	R57	RK73GB2A470J	MG RESISTOR	47Ω 1/10W J	1	
	R60	RK73GB2A000J	MG RESISTOR	0Ω 1/10W J	1	
	R61	RK73GB2A000J	MG RESISTOR	0Ω 1/10W J	1	
	R62	RK73GB2A000J	MG RESISTOR	0Ω 1/10W J	1	
	R63	RK73GB2A000J	MG RESISTOR	0Ω 1/10W J	1	
	R64	RK73GB2A000J	MG RESISTOR	0Ω 1/10W J	1	
	R65	RK73GB2A000J	MG RESISTOR	0Ω 1/10W J	1	
	R68	RK73GB2A103J	MG RESISTOR	10kΩ 1/10W J	1	
	L5	LR73Z0AE1R8J	CHIP INDUCTOR	1.8uH	1	
	L6	LR79Z0EVR27J	CHIP INDUCTOR	0.27uH	1	
	L10	LB73G0BP-001	CHIP FERRITE		1	
	L11	LR73Z0AER68J	CHIP INDUCTOR	0.68uH	1	
	L13	LR73Z0AER68J	CHIP INDUCTOR	0.68uH	1	
	L14	LR73Z0AER47J	CHIP INDUCTOR	0.47uH	1	
	L16	LR79P0BB561K	CHIP INDUCTOR	560uH	1	
	L17	LR79P0BB561K	CHIP INDUCTOR	560uH	1	
	L21	L3B-0004-00	FM-RF COIL		1	
	CN3	EA120AD-2015B	W TO B CONNE	15P	1	
	X3	L7J-0011-00	QUARTZ CRYSTAL		1	
DVD MECHA PWB ASSY (LVA11172-04A) <L17>						
	IC1	AN41250A	ANALOG IC		1	
	IC2	M12L1281686TN	DRAM IC		1	
	IC3	WZZ-0025-00	PROGRAMMED IC		1	
	IC4	MN2DS0041MD	IC		1	
	IC5	BD12KA5FP	ANALOG IC		1	
	IC6	XC6120N282N-G	IC		1	
	IC8	MM1663DTE	MOS IC		1	
	Q1	2SK3019	FET		1	
	Q2	2SK3019	FET		1	
	Q3	LSCR523EBFS8	TRANSISTOR		1	
	Q4	2SB1709MG	TRANSISTOR		1	
	Q5	LSCR523EBFS8	TRANSISTOR		1	
	Q6	2SB1709MG	TRANSISTOR		1	
	Q11	LTA014TEBFS8	DIGI TRANSISTOR		1	
	Q12	LTA014TEBFS8	DIGI TRANSISTOR		1	
	D1	TAN1102W-22	INFRARED LED		1	
	D4	TAN1102W-22	INFRARED LED		1	
	D5	1SS355VM	DIODE		1	
	C1	CK73HBB1E103K	C CAPACITOR	0.01uF 25V K	1	
	C2	NCJ20JK-106X-R	C CAPACITOR	10uF 6.3V K	1	
	C6	CK73FXR0J226M	C CAPACITOR	22uF 6.3V M	1	
	C7	CK73HBB1E103K	C CAPACITOR	0.01uF 25V K	1	
	C8	CK73HBB1E103K	C CAPACITOR	0.01uF 25V K	1	
	C10	CK73GXR0J475K	C CAPACITOR	4.7uF 6.3V K	1	
	C12	NCJ20JK-106X-R	C CAPACITOR	10uF 6.3V K	1	
	C13	NCJ20JK-106X-R	C CAPACITOR	10uF 6.3V K	1	
	C14	CK73HBB1A104K	C CAPACITOR	0.1uF 10V K	1	

MODEL	MARK	MODEL	MARK
DDX6706S	K1	DDX6906S	K0

Safe	Symbol No.	Parts No.	Parts Name	Description	QTY	Local
C16		CK73HBB1C333K	C CAPACITOR	0.033uF 16V K	1	
C17		CK73HBB1A104K	C CAPACITOR	0.1uF 10V K	1	
C18		CC73HCH1H120J	C CAPACITOR	12pF 50V J	1	
C19		CK73HBB1A104K	C CAPACITOR	0.1uF 10V K	1	
C20		CK73HBB1A104K	C CAPACITOR	0.1uF 10V K	1	
C21		CK73HBB1A104K	C CAPACITOR	0.1uF 10V K	1	
C22		CK73HBB1A104K	C CAPACITOR	0.1uF 10V K	1	
C23		CC73HCH1H120J	C CAPACITOR	12pF 50V J	1	
C24		CK73HXR0J105K	C CAPACITOR	1uF 6.3V K	1	
C25		CK73HXR0J105K	C CAPACITOR	1uF 6.3V K	1	
C26		CC73HCH1H102J	C CAPACITOR	1000pF 50V J	1	
C28		NCJ20JK-106X-R	C CAPACITOR	10uF 6.3V K	1	
C29		NCJ20JK-106X-R	C CAPACITOR	10uF 6.3V K	1	
C31		CK73GXR0J475K	C CAPACITOR	4.7uF 6.3V K	1	
C33		CK73HBB1H682K	C CAPACITOR	6800pF 50V K	1	
C34		CK73HBB1H682K	C CAPACITOR	6800pF 50V K	1	
C35		CC73HCH1H681J	C CAPACITOR	680pF 50V J	1	
C36		CC73HCH1H471J	C CAPACITOR	470pF 50V J	1	
C37		NCJ20JK-106X-R	C CAPACITOR	10uF 6.3V K	1	
C38		NCJ20JK-106X-R	C CAPACITOR	10uF 6.3V K	1	
C45		CK73HBB1A104K	C CAPACITOR	0.1uF 10V K	1	
C47		CK73HBB1A104K	C CAPACITOR	0.1uF 10V K	1	
C48		CK73HBB1H222K	C CAPACITOR	2200pF 50V K	1	
C49		CK73HBB1A104K	C CAPACITOR	0.1uF 10V K	1	
C50		CK73HBB1H222K	C CAPACITOR	2200pF 50V K	1	
C51		CK73HBB1H472K	C CAPACITOR	4700pF 50V K	1	
C52		CK73HBB1E103K	C CAPACITOR	0.01uF 25V K	1	
C53		CK73HBB1H222K	C CAPACITOR	2200pF 50V K	1	
C55		CK73HBB1A104K	C CAPACITOR	0.1uF 10V K	1	
C56		CK73HBB1H222K	C CAPACITOR	2200pF 50V K	1	
C57		CK73HBB1E103K	C CAPACITOR	0.01uF 25V K	1	
C58		CK73HBB1E103K	C CAPACITOR	0.01uF 25V K	1	
C59		CK73HBB1A104K	C CAPACITOR	0.1uF 10V K	1	
C60		CK73HBB1A104K	C CAPACITOR	0.1uF 10V K	1	
C61		CK73HBB1A104K	C CAPACITOR	0.1uF 10V K	1	
C62		CK73HBB1A104K	C CAPACITOR	0.1uF 10V K	1	
C63		CK73HBB1A104K	C CAPACITOR	0.1uF 10V K	1	
C64		CK73HBB1A104K	C CAPACITOR	0.1uF 10V K	1	
C65		CK73HBB1A104K	C CAPACITOR	0.1uF 10V K	1	
C66		CK73HBB1A104K	C CAPACITOR	0.1uF 10V K	1	
C67		CK73HBB1A104K	C CAPACITOR	0.1uF 10V K	1	
C68		CK73HBB1E103K	C CAPACITOR	0.01uF 25V K	1	
C70		CK73HXR0J105K	C CAPACITOR	1uF 6.3V K	1	
C71		CK73HBB1A104K	C CAPACITOR	0.1uF 10V K	1	
C74		CK73HBB1A104K	C CAPACITOR	0.1uF 10V K	1	
C75		CC73HCH1H101J	C CAPACITOR	100pF 50V J	1	
C76		CK73FXR0J226M	C CAPACITOR	22uF 6.3V M	1	
C77		CK73HBB1A104K	C CAPACITOR	0.1uF 10V K	1	
C78		CK73GXR0J475K	C CAPACITOR	4.7uF 6.3V K	1	
C79		CK73HBB1H222K	C CAPACITOR	2200pF 50V K	1	
C80		CK73HBB1H222K	C CAPACITOR	2200pF 50V K	1	
C81		CK73HXR0J105K	C CAPACITOR	1uF 6.3V K	1	
C82		CK73HXR0J105K	C CAPACITOR	1uF 6.3V K	1	
C83		CK73HXR0J105K	C CAPACITOR	1uF 6.3V K	1	
C84		NCJ20JK-106X-R	C CAPACITOR	10uF 6.3V K	1	
C85		CK73HBB1A104K	C CAPACITOR	0.1uF 10V K	1	
C86		CK73HBB1A104K	C CAPACITOR	0.1uF 10V K	1	
C87		CK73HBB1A104K	C CAPACITOR	0.1uF 10V K	1	
C88		CK73HBB1A104K	C CAPACITOR	0.1uF 10V K	1	
C89		CK73HBB1A104K	C CAPACITOR	0.1uF 10V K	1	
C90		CK73HBB1A104K	C CAPACITOR	0.1uF 10V K	1	
C91		CK73HBB1A104K	C CAPACITOR	0.1uF 10V K	1	
C92		CK73HBB1A104K	C CAPACITOR	0.1uF 10V K	1	
C93		CK73HBB1A104K	C CAPACITOR	0.1uF 10V K	1	
C94		CK73FXR0J226M	C CAPACITOR	22uF 6.3V M	1	
C95		CK73FXR0J226M	C CAPACITOR	22uF 6.3V M	1	
C96		CK73FXR0J226M	C CAPACITOR	22uF 6.3V M	1	
C101		CK73FXR0J226M	C CAPACITOR	22uF 6.3V M	1	
C102		CK73FXR0J226M	C CAPACITOR	22uF 6.3V M	1	
C103		CK73HBB1H222K	C CAPACITOR	2200pF 50V K	1	
C104		CK73HBB1H222K	C CAPACITOR	2200pF 50V K	1	
C105		CC73HCH1H150J	C CAPACITOR	15pF 50V J	1	
C112		CK73HBB1A104K	C CAPACITOR	0.1uF 10V K	1	
C115		CK73HXR0J105K	C CAPACITOR	1uF 6.3V K	1	
C120		CK73HBB1A104K	C CAPACITOR	0.1uF 10V K	1	
C121		CK73HBB1A104K	C CAPACITOR	0.1uF 10V K	1	
R1		RK73GB2A561J	MG RESISTOR	560Ω 1/10W J	1	
R2		RK73HB1J271J	MG RESISTOR	270Ω 1/16W J	1	
R3		RK73HB1J301J	MG RESISTOR	300Ω 1/16W J	1	
R4		RK73GB2A561J	MG RESISTOR	560Ω 1/10W J	1	
R5		RK73HB1J163J	MG RESISTOR	16kΩ 1/16W J	1	
R6		RK73HB1J103J	MG RESISTOR	10kΩ 1/16W J	1	
R7		RK73HB1J103J	MG RESISTOR	10kΩ 1/16W J	1	
R8		RK73HB1J103J	MG RESISTOR	10kΩ 1/16W J	1	
R9		RK73HB1J333J	MG RESISTOR	33kΩ 1/16W J	1	
R10		RK73HB1J103J	MG RESISTOR	10kΩ 1/16W J	1	
R11		RK73HB1J103J	MG RESISTOR	10kΩ 1/16W J	1	
R12		RK73HB1J103J	MG RESISTOR	10kΩ 1/16W J	1	
R15		RK73HB1J102J	MG RESISTOR	1kΩ 1/16W J	1	
R16		RK73HB1J102J	MG RESISTOR	1kΩ 1/16W J	1	
R17		RK73HB1J105J	MG RESISTOR	1MΩ 1/16W J	1	
R18		RK73HB1J303D	MG RESISTOR	30kΩ 1/16W D	1	
R19		RK73HB1J223J	MG RESISTOR	22kΩ 1/16W J	1	

MODEL	MARK	MODEL	MARK
DDX6706S	K1	DDX6906S	K0

Safe	Symbol No.	Parts No.	Parts Name	Description	QTY	Local
	R20	RK73HB1J471J	MG RESISTOR	470Ω 1/16W J	1	
	R21	RK73HB1J100J	MG RESISTOR	10Ω 1/16W J	1	
	R22	RK73HB1J560J	MG RESISTOR	56Ω 1/16W J	1	
	R23	RK73HB1J2R2J	MG RESISTOR	2.2Ω 1/16W J	1	
	R25	RK73HB1J471J	MG RESISTOR	470Ω 1/16W J	1	
	R27	RK73HB1J471J	MG RESISTOR	470Ω 1/16W J	1	
	R28	RK73HB1J100J	MG RESISTOR	10Ω 1/16W J	1	
	R29	RK73HB1J560J	MG RESISTOR	56Ω 1/16W J	1	
	R30	RK73HB1J2R2J	MG RESISTOR	2.2Ω 1/16W J	1	
	R31	RK73PB2H270J	MG RESISTOR	27Ω 1/2W J	1	
	R32	RK73HB1J203J	MG RESISTOR	20kΩ 1/16W J	1	
	R33	RK73HB1J333J	MG RESISTOR	33kΩ 1/16W J	1	
	R34	RK73HB1J471J	MG RESISTOR	470Ω 1/16W J	1	
	R35	RK73PB2H270J	MG RESISTOR	27Ω 1/2W J	1	
	R51	RK73HB1J223J	MG RESISTOR	22kΩ 1/16W J	1	
	R52	RK73HB1J223J	MG RESISTOR	22kΩ 1/16W J	1	
	R53	RK73P0CMR27J	MG RESISTOR	0.27Ω 1/2W J	1	
	R54	RK73HB1J103J	MG RESISTOR	10kΩ 1/16W J	1	
	R55	RK73HB1J101J	MG RESISTOR	100Ω 1/16W J	1	
	R56	RK73HB1J103J	MG RESISTOR	10kΩ 1/16W J	1	
	R57	RK73HB1J103J	MG RESISTOR	10kΩ 1/16W J	1	
	R58	RK73HB1J103J	MG RESISTOR	10kΩ 1/16W J	1	
	R59	RK73HB1J103J	MG RESISTOR	10kΩ 1/16W J	1	
	R60	RK73HB1J821J	MG RESISTOR	820Ω 1/16W J	1	
	R61	RK73HB1J242J	MG RESISTOR	2.4kΩ 1/16W J	1	
	R62	RK73HB1J103J	MG RESISTOR	10kΩ 1/16W J	1	
	R63	RK73HB1J332J	MG RESISTOR	3.3kΩ 1/16W J	1	
	R64	RK73HB1J202J	MG RESISTOR	2kΩ 1/16W J	1	
	R65	RK73HB1J102J	MG RESISTOR	1kΩ 1/16W J	1	
	R66	RK73HB1J102J	MG RESISTOR	1kΩ 1/16W J	1	
	R69	RK73HB1J102J	MG RESISTOR	1kΩ 1/16W J	1	
	R70	RK73HB1J102J	MG RESISTOR	1kΩ 1/16W J	1	
	R73	RK73HB1J472J	MG RESISTOR	4.7kΩ 1/16W J	1	
	R74	RK73HB1J4R7J	MG RESISTOR	4.7Ω 1/16W J	1	
	R75	RK73HB1J000J	MG RESISTOR	0Ω 1/16W J	1	
	R76	RK73HB1J472J	MG RESISTOR	4.7kΩ 1/16W J	1	
	R77	RK73HB1J4R7J	MG RESISTOR	4.7Ω 1/16W J	1	
	R78	RK73HB1J221J	MG RESISTOR	220Ω 1/16W J	1	
	R79	RK73HB1J221J	MG RESISTOR	220Ω 1/16W J	1	
	R80	RK73HB1J103J	MG RESISTOR	10kΩ 1/16W J	1	
	R81	RK73HB1J103J	MG RESISTOR	10kΩ 1/16W J	1	
	R82	RK73HB1J102J	MG RESISTOR	1kΩ 1/16W J	1	
	R86	RK73HB1J102J	MG RESISTOR	1kΩ 1/16W J	1	
	R92	RK73HB1J103J	MG RESISTOR	10kΩ 1/16W J	1	
	R95	RK73HB1J470J	MG RESISTOR	47Ω 1/16W J	1	
	R96	RK73HB1J103J	MG RESISTOR	10kΩ 1/16W J	1	
	R105	RK73HB1J101J	MG RESISTOR	100Ω 1/16W J	1	
	R106	RK73HB1J103J	MG RESISTOR	10kΩ 1/16W J	1	
	R107	RK73HB1J221J	MG RESISTOR	220Ω 1/16W J	1	
	R108	RK73HB1J221J	MG RESISTOR	220Ω 1/16W J	1	
	R113	RK73HB1J470J	MG RESISTOR	47Ω 1/16W J	1	
	R114	RK73HB1J5901D	MG RESISTOR	5.90kΩ 1/16W D	1	
	R120	RK73HB1J432J	MG RESISTOR	4.3kΩ 1/16W J	1	
	R121	RK73HB1J242J	MG RESISTOR	2.4kΩ 1/16W J	1	
	R122	RK73HB1J162J	MG RESISTOR	1.6kΩ 1/16W J	1	
	R123	RK73HB1J332J	MG RESISTOR	3.3kΩ 1/16W J	1	
	R125	RK73GB2A000J	MG RESISTOR	0Ω 1/10W J	1	
	R128	RK73GB2A000J	MG RESISTOR	0Ω 1/10W J	1	
	CN1	EC720AA-0526A	FFC/FPC CONNE		1	
	CN4	EC720AA-0535A	FFC FPC CONNE		1	
	CN5	EC720AA-0518A	FFC FPC CONNE		1	
	CN9	EA720AX-1503A	W TO B CONNE	3P	1	
	PH1	PS1192HB-22-X	OPT TRANSMITTER		1	
	PH2	PS1192HB-22-X	OPT TRANSMITTER		1	
	S1	NSW0351-001X	LEVER SWITCH		1	
	TH1	TH05-3H103F	N THERMISTOR		1	
	X1	NAX1135-001X	CRYSTAL		1	