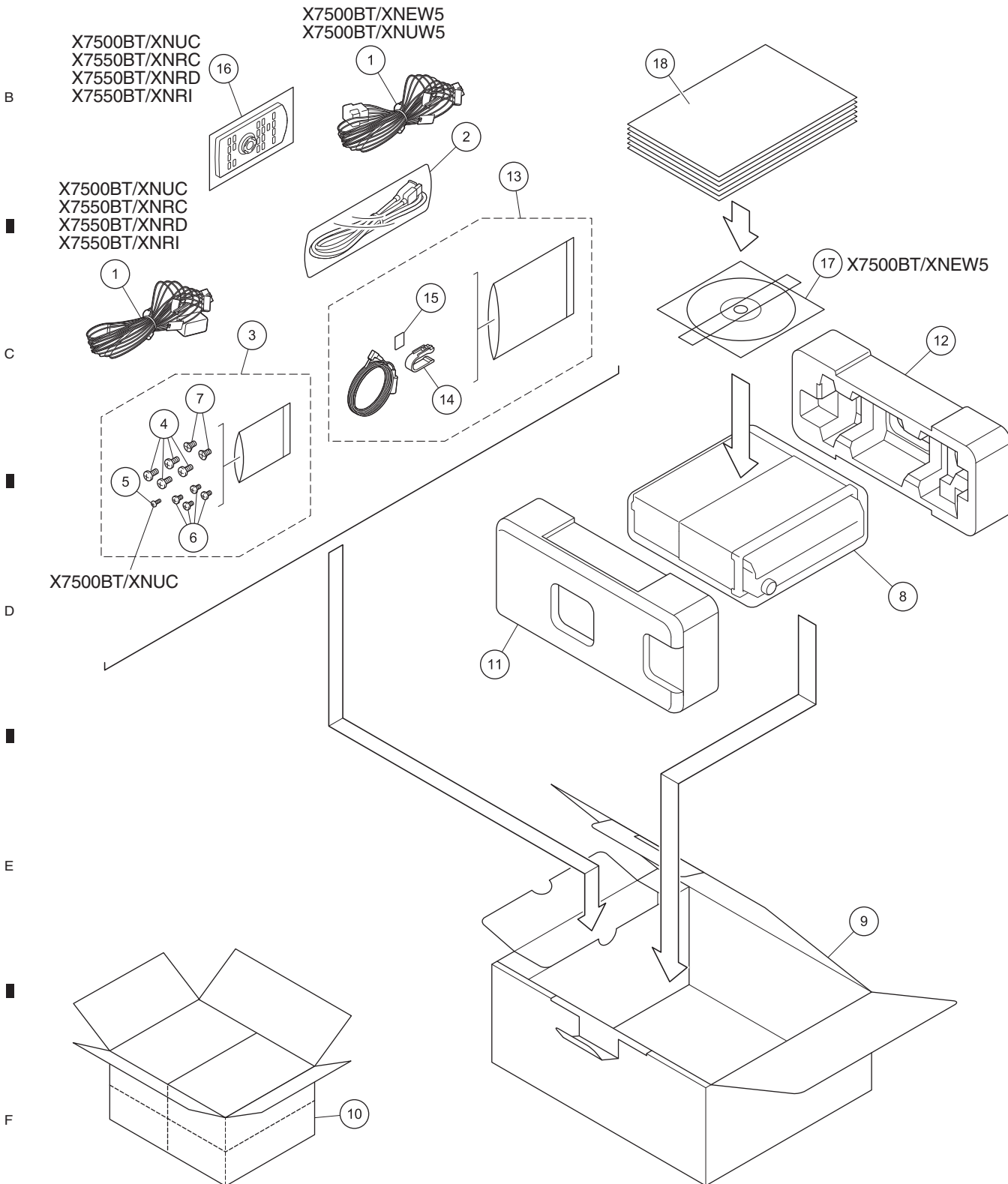


# 9. EXPLODED VIEWS AND PARTS LIST

- NOTES :
- Parts marked by "\*" are generally unavailable because they are not in our Master Spare Parts List.
  - The ⚠ mark found on some component parts indicates the importance of the safety factor of the part. Therefore, when replacing, be sure to use parts of identical designation.
  - Screw adjacent to ∇ mark on the product are used for disassembly.
  - For the applying amount of lubricants or glue, follow the instructions in this manual. (In the case of no amount instructions, apply as you think it appropriate.)

## 9.1 PACKING



**(1) PACKING SECTION PARTS LIST**

<u>Mark No.</u>	<u>Description</u>	<u>Part No.</u>	<u>Mark No.</u>	<u>Description</u>	<u>Part No.</u>
1	Cord Assy	See Contrast table (2)	13	Microphone Assy	CPM1083
2	Cord Assy	CDP1585	14	Holder	CZN7192
3	Screw Assy	See Contrast table (2)	15	Cushion	CZN7193
4	Screw	BMZ50P060FTC			
5	Screw	See Contrast table (2)	16	Card Remote Control Unit	See Contrast table (2)
			17	IM CD-ROM	See Contrast table (2)
6	Screw (M4 x 3)	CBA1870	18-1	Owner's Manual	See Contrast table (2)
7	Screw	CMZ50P060FTC	18-2	Quick Start Guide	See Contrast table (2)
8	Polyethylene Bag	See Contrast table (2)	18-3	Installation Manual	See Contrast table (2)
9	Unit Box	See Contrast table (2)			
10	Contain Box	See Contrast table (2)	*	18-4 Caution Card	See Contrast table (2)
			*	18-5 Caution Card	See Contrast table (2)
11	Protector	CHP4684	*	18-6 Warranty Card	See Contrast table (2)
12	Protector	CHP4685	*	18-7 Caution Card	See Contrast table (2)

**(2) CONTRAST TABLE**

AVH-X7500BT/XNUC, AVH-X7500BT/XNEW5, AVH-X7500BT/XNUW5, AVH-X7550BT/XNRC, AVH-X7550BT/XNRD and AVH-X7550BT/XNRI are constructed the same except for the following:

<u>Mark</u>	<u>No.</u>	<u>Description</u>	<u>AVH-X7500BT/XNUC</u>	<u>AVH-X7500BT/XNEW5</u>	<u>AVH-X7500BT/XNUW5</u>
	1	Cord Assy	CDP1288	CDP1543	CDP1543
	3	Screw Assy	CEC4353	CEC2991	CEC2991
	5	Screw	BPZ20P060FTC	Not used	Not used
	8	Polyethylene Bag	CEG1544	CEG1474	CEG1474
	9	Unit Box	CHG8284	CHG8282	CHG8283
	10	Contain Box	CHL8284	CHL8282	CHL8283
	16	Card Remote Control Unit	CXE5116	Not used	Not used
	17	IM CD-ROM	Not used	CPJ1450	Not used
	18-1	Owner's Manual	CRD4711	Not used	CRB4117
	18-2	Quick Start Guide	Not used	CRD4675	Not used
	18-3	Installation Manual	Not used	CRD4677	Not used
*	18-4	Caution Card	Not used	CRP1436	Not used
*	18-5	Caution Card	Not used	CRP1441	Not used
*	18-6	Warranty Card	QRY3001	CRY1376	CRY1330
*	18-7	Caution Card	CRM1947	CRM1948	CRM1948

<u>Mark</u>	<u>No.</u>	<u>Description</u>	<u>AVH-X7550BT/XNRC</u>	<u>AVH-X7550BT/XNRD</u>	<u>AVH-X7550BT/XNRI</u>
	1	Cord Assy	CDP1288	CDP1288	CDP1288
	3	Screw Assy	CEC2991	CEC2991	CEC2991
	5	Screw	Not used	Not used	Not used
	8	Polyethylene Bag	CEG1474	CEG1474	CEG1474
	9	Unit Box	CHG8285	CHG8286	CHG8287
	10	Contain Box	CHL8285	CHL8286	CHL8287
	16	Card Remote Control Unit	CXE5116	CXE5116	CXE5116
	17	IM CD-ROM	Not used	Not used	Not used
	18-1	Owner's Manual	CRD4712	CRD4714	CRD4713
	18-2	Quick Start Guide	Not used	Not used	Not used
	18-3	Installation Manual	Not used	Not used	Not used
*	18-4	Caution Card	Not used	Not used	Not used
*	18-5	Caution Card	Not used	Not used	Not used
*	18-6	Warranty Card	Not used	Not used	Not used
*	18-7	Caution Card	CRM1948	CRM1948	CRM1948

# 9.2 EXTERIOR (1)

1

2

3

4

A

X7500BT/XNUC  
X7550BT/XNRC  
X7550BT/XNRD  
X7550BT/XNRI

X7500BT/XNUC  
X7550BT/XNRC  
X7550BT/XNRD  
X7550BT/XNRI

B

C



X7500BT/XNEW5  
X7500BT/XNUW5

D

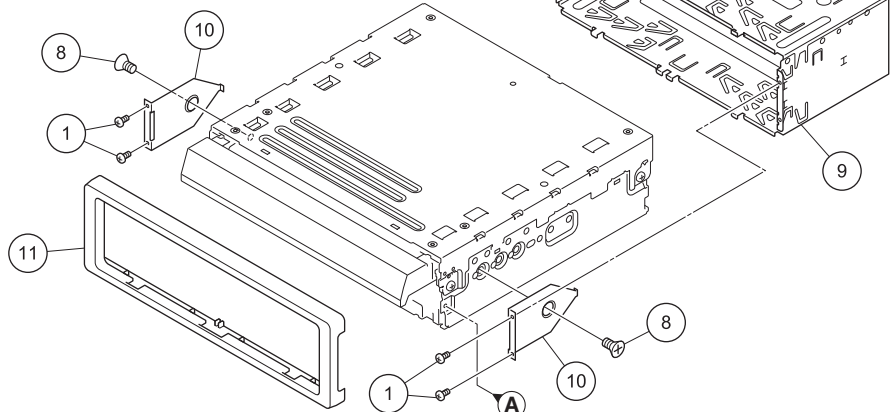
**B**

**A**



E

F




1

2

3

4

**(1) EXTERIOR (1) SECTION PARTS LIST**

<u>Mark No.</u>	<u>Description</u>	<u>Part No.</u>	<u>Mark No.</u>	<u>Description</u>	<u>Part No.</u>
1	Screw	BMZ20P025FTC	21	Cover	CNN4266
2	Screw (M2 x 3)	CBA1877	22	Cushion	CNN4267
3	Cord Assy	See Contrast table (2)	23	Sheet	CNN4382
4	.....		24	Holder	CNV9890
 5	Fuse (10 A)	CEK1136	25	Arm	CNV9891
6	Cap	See Contrast table (2)	26	Lighting Conductor	CNW2688
7	Resistor	See Contrast table (2)	27	Lighting Conductor	CNW2689
8	Screw	CMZ50P060FTC	28	Lighting Conductor	CNW2690
9	Holder	CND3854	29	Detach Grille Assy	See Contrast table (2)
10	Bracket	CND3855	30	.....	
11	Panel	CNU2269	31	.....	
12	Card Remote Control Unit	See Contrast table (2)	32	.....	
13	Battery Cover	See Contrast table (2)	33	.....	
14	Grille Assy	See Contrast table (2)	34	.....	
15	Screw	BPZ20P060FTC	35	.....	
16	Button (HOME)	CAI4010	36	Knob Unit	CXE5949
17	Button (EJECT, OPEN)	CAI4011	37	Spring	YBL5010
18	Button	CAI4012	38	Grille Unit	CXE5991
19	Spring	CBH2997	39	Sheet	QNM3060
20	FFC	CDE9865			

**(2) CONTRAST TABLE**

AVH-X7500BT/XNUC, AVH-X7500BT/XNEW5, AVH-X7500BT/XNUW5, AVH-X7550BT/XNRC, AVH-X7550BT/XNRD and AVH-X7550BT/XNRI are constructed the same except for the following:

Mark	No.	Description	AVH-X7500BT/XNUC	AVH-X7500BT/XNEW5	AVH-X7500BT/XNUW5
	3	Cord Assy	CDP1288	CDP1543	CDP1543
	6	Cap	CNS1472	Not used	Not used
	7	Resistor	RS1/2PMF102J	Not used	Not used
	12	Card Remote Control Unit	CXE5116	Not used	Not used
	13	Battery Cover	CNU1624	Not used	Not used
	14	Grille Assy	CXE5810	CXE5810	CXE5810
	29	Detach Grille Assy	CXE5815	CXE5815	CXE5815

Mark	No.	Description	AVH-X7550BT/XNRC	AVH-X7550BT/XNRD	AVH-X7550BT/XNRI
	3	Cord Assy	CDP1288	CDP1288	CDP1288
	6	Cap	CNS1472	CNS1472	CNS1472
	7	Resistor	RS1/2PMF102J	RS1/2PMF102J	RS1/2PMF102J
	12	Card Remote Control Unit	CXE5116	CXE5116	CXE5116
	13	Battery Cover	CNU1624	CNU1624	CNU1624
	14	Grille Assy	CXE5811	CXE5811	CXE5811
	29	Detach Grille Assy	CXE5816	CXE5816	CXE5816

# 9.3 EXTERIOR (2)

1

2

3

4

A

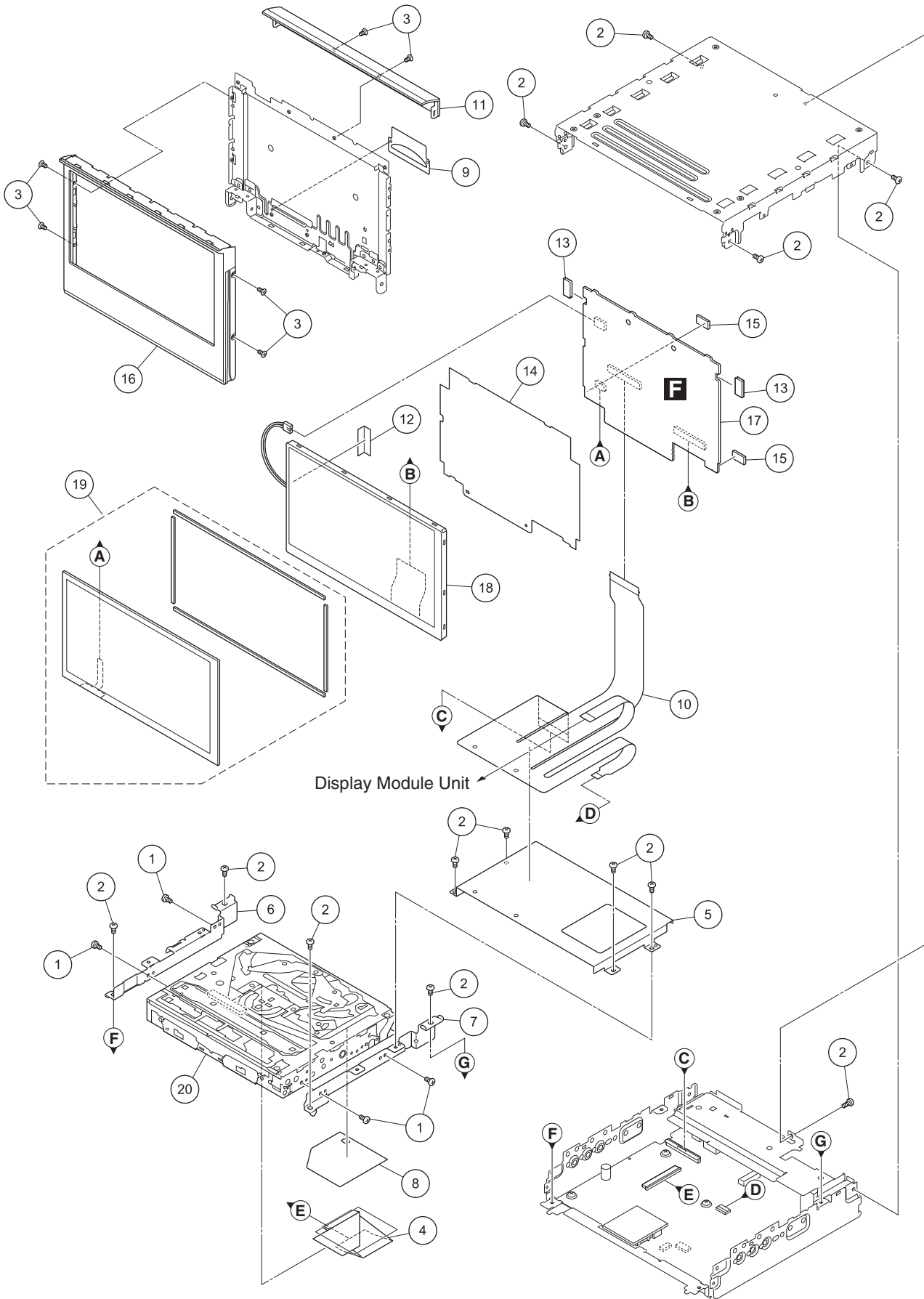
B

C

D

E

F



1

2

3

4

5 6 7 8

## EXTERIOR (2) SECTION PARTS LIST

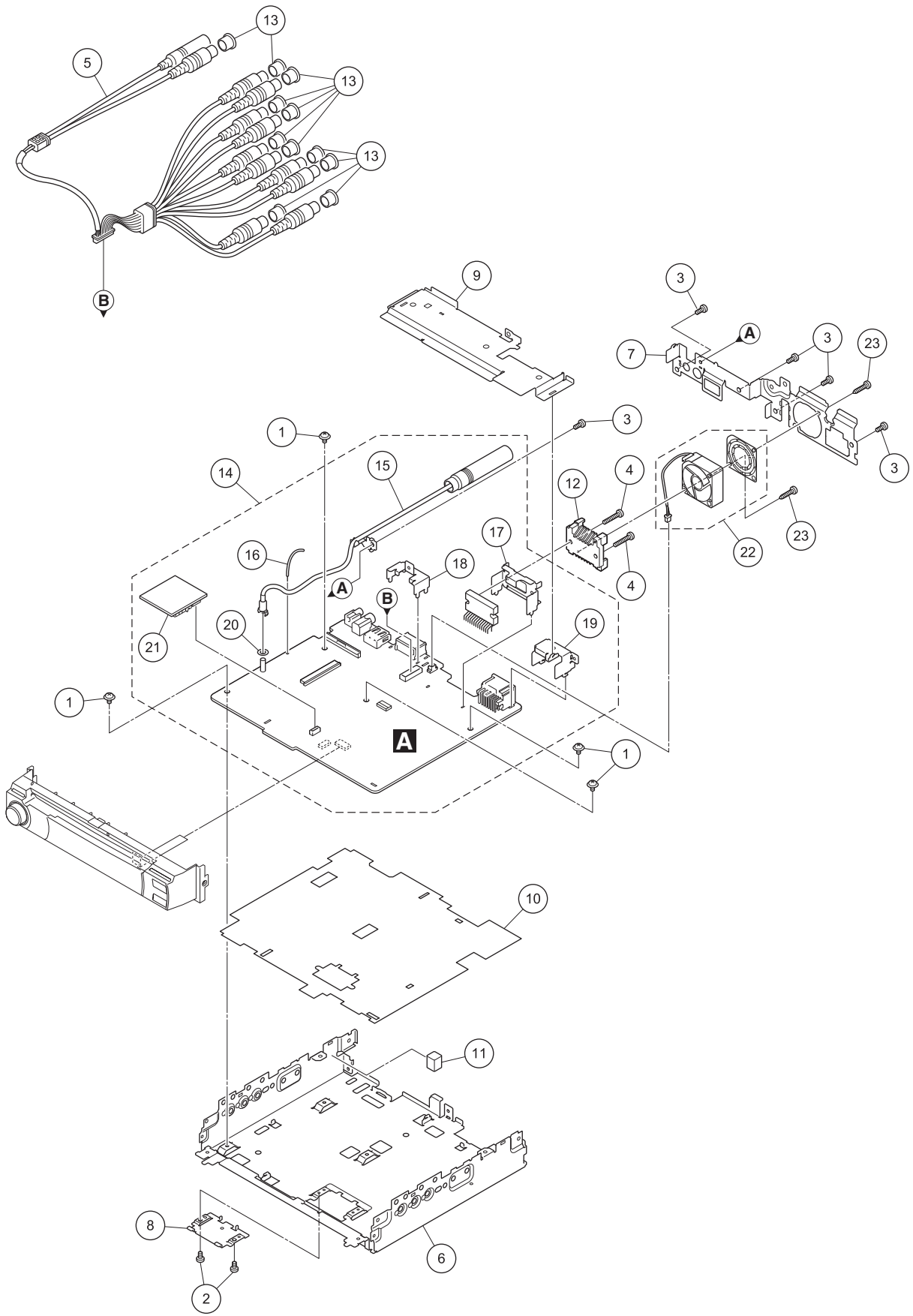
<u>Mark No.</u>	<u>Description</u>	<u>Part No.</u>	
1	Screw	BMZ20P025FTC	
2	Screw	BSZ26P060FTC	A
3	Screw (M2 x 2)	CBA1872	
4	FFC	CDE9864	
5	Bracket	CND6667	
6	Bracket	CND6668	
7	Bracket	CND6669	
8	Insulator	CNN2764	
9	Sheet	CNN4437	
10	FPC	CNQ5853	
11	Cover	CNU2182	B
12	Sheet	CNN1694	
13	Sheet	CNN1750	
14	Insulator	CNN4259	
15	Gasket	CNN4439	
16	Grille	CNU2178	
17	Monitor Unit		
	X7500BT/XNUC	CWN7351	
	X7500BT/XNEW5	CWN7350	
	X7500BT/XNUW5	CWN7350	C
	X7550BT/XNRC	CWN7351	
	X7550BT/XNRD	CWN7350	
	X7550BT/XNRI	CWN7350	
18	TFT LCD	CWX4352	
19	Touch Panel Assy	CXE5830	
20	DVD Mechanism Module (MS7.1)	CXK6902	

Sheet (No.9 : CNN4437) is NOT reusable.

# 9.4 EXTERIOR (3)

1 2 3 4

A  
B  
C  
D  
E  
F

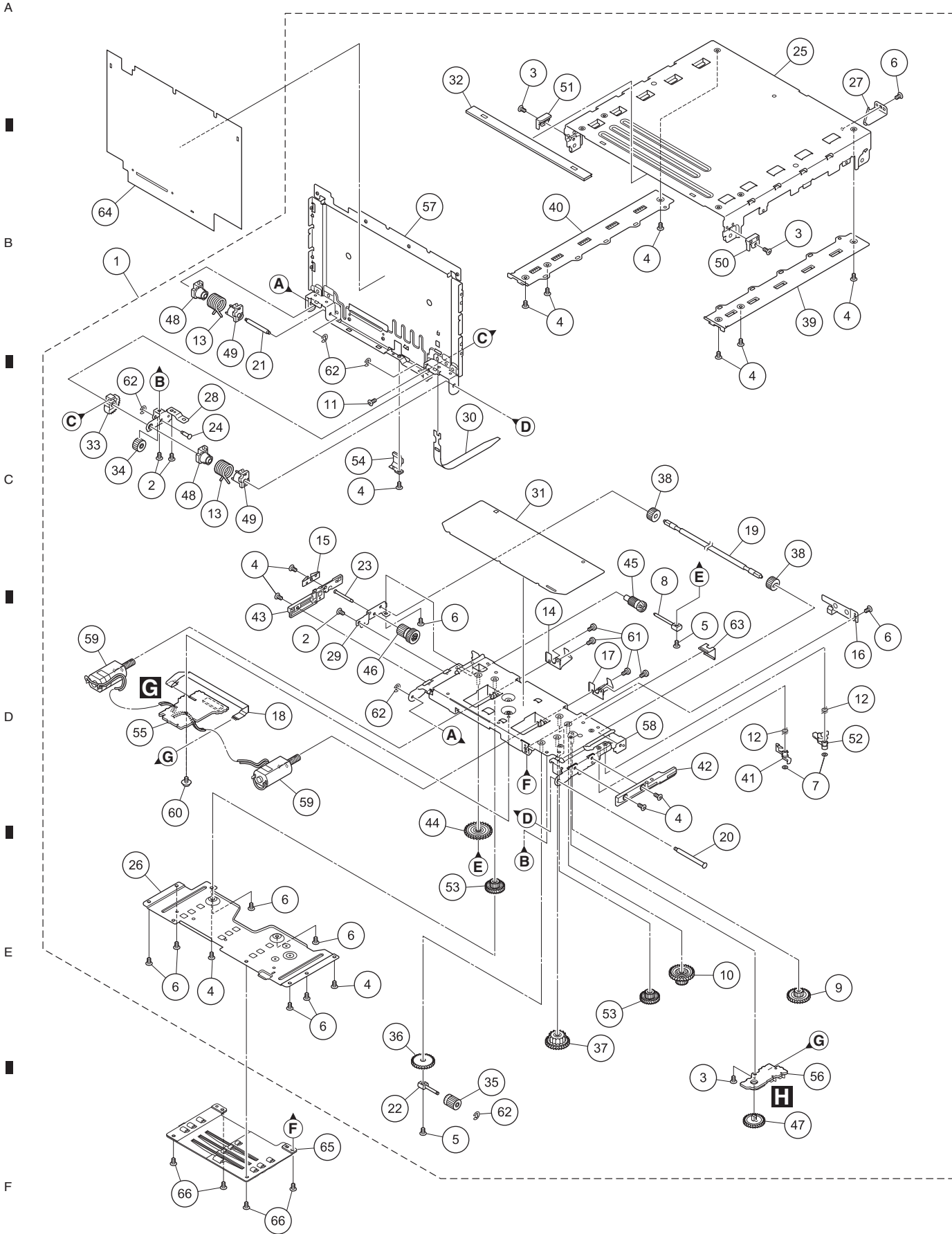


## EXTERIOR (3) SECTION PARTS LIST

<u>Mark No.</u>	<u>Description</u>	<u>Part No.</u>	
1	Screw	AMZ26P040FTC	
2	Screw	BMZ20P025FTC	A
3	Screw	BSZ26P060FTC	
4	Screw	BSZ26P160FTC	
5	Cord Assy	CDE9863	
6	Chassis	CNA3278	
7	Rear Panel	CNB3849	
8	Holder	CND4167	
9	Holder	CND6670	
10	Insulator	CNN4258	
11	Gasket	CNN4451	B
12	Heat Sink	CNR1941	
13	Cap	CNV6727	
14	DVD Amp Unit		
	X7500BT/XNUC	CWN7332	
	X7500BT/XNEW5	CWN7330	
	X7500BT/XNUW5	CWN7331	
	X7550BT/XNRC	CWN7333	
	X7550BT/XNRD	CWN7334	
	X7550BT/XNRI	CWN7335	C
15	Antenna Cable	CDH1390	
16	Clamper (CN1800)	CEF1046	
17	Holder	CND6671	
18	Holder	CND6797	
19	Holder	CND6798	
20	Spacer	CNN1909	
21	BT Module	CWX4317	
22	Fan Motor	CXM1262	
23	Screw	PMZ20P160FTC	D

# 9.5 EXTERIOR (4)

The application position of grease is referred to page 114 and page 115.



## EXTERIOR (4) SECTION PARTS LIST

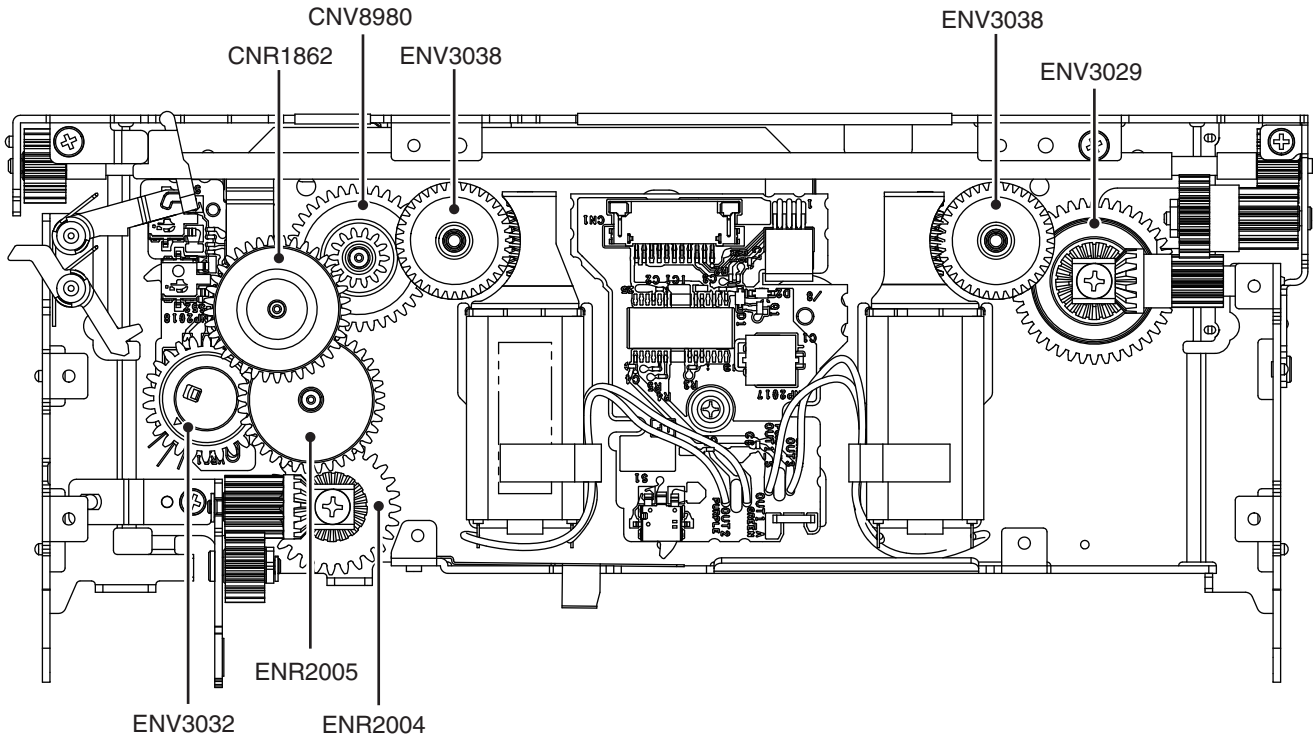
<u>Mark No.</u>	<u>Description</u>	<u>Part No.</u>	<u>Mark No.</u>	<u>Description</u>	<u>Part No.</u>
1	Display Module Unit	CXE6641	50	Guide	ENV3035
2	Screw	CBA1608			
3	Screw (M2 x 1.5)	CBA1615	51	Guide	ENV3036
4	Screw (M2 x 3)	CBA1877	52	Arm	ENV3037
5	Screw (M2.3 x 6)	CBA2027	53	Gear	ENV3038
			54	Lever	ENV3039
6	Screw (M2 x 2)	CBA2129	*	55	Main PCB Unit
7	Washer	CBF1038			
8	Shaft	CLA4821	*	56	SW PCB Unit
9	Gear	CNR1862	57	Case Unit	EXA4010
10	Gear	CNV8980	58	Frame Unit	EXA4011
			59	Motor Unit	EXA4013
11	Screw	EBA2003	60	Screw	IMS20P030FTC
12	Torsion Spring	EBH3010			
13	Torsion Spring	EBH3011	61	Screw	JGZ20P025FTC
14	Plate Spring	EBL2005	62	Washer	YE15FTC
15	Plate Spring	EBL2006	63	Plate Spring	CBL1848
			64	Insulator	CNN4260
16	Plate Spring	EBL2007	65	Cover	CNW2687
17	Plate Spring	EBL2008			
18	FFC	EDD2002	66	Screw (M2 x 3)	CBA1877
19	Shaft	ELA3022			
20	Shaft	ELA3023			
21	Shaft	ELA3024			
22	Shaft	ELA3026			
23	Shaft	ELA3027			
24	Shaft	ELA3028			
25	Chassis	ENA3007			
26	Cover	ENC2025			
27	Lever	ENC2026			
28	Holder	ENC2027			
29	Holder	ENC2032			
30	Sheet	ENM3002			
31	Sheet	ENM3003			
32	Sheet	ENM3004			
33	Gear	ENR2001			
34	Gear	ENR2002			
35	Gear	ENR2003			
36	Gear	ENR2004			
37	Gear	ENR2005			
38	Gear	ENV3023			
39	Rack	ENV3024			
40	Rack	ENV3025			
41	Arm	ENV3026			
42	Guide	ENV3027			
43	Guide	ENV3028			
44	Gear	ENV3029			
45	Gear	ENV3030			
46	Gear	ENV3031			
47	Gear	ENV3032			
48	Holder	ENV3033			
49	Holder	ENV3034			

● The gear assembly figure of the Drive Unit

A

B

C

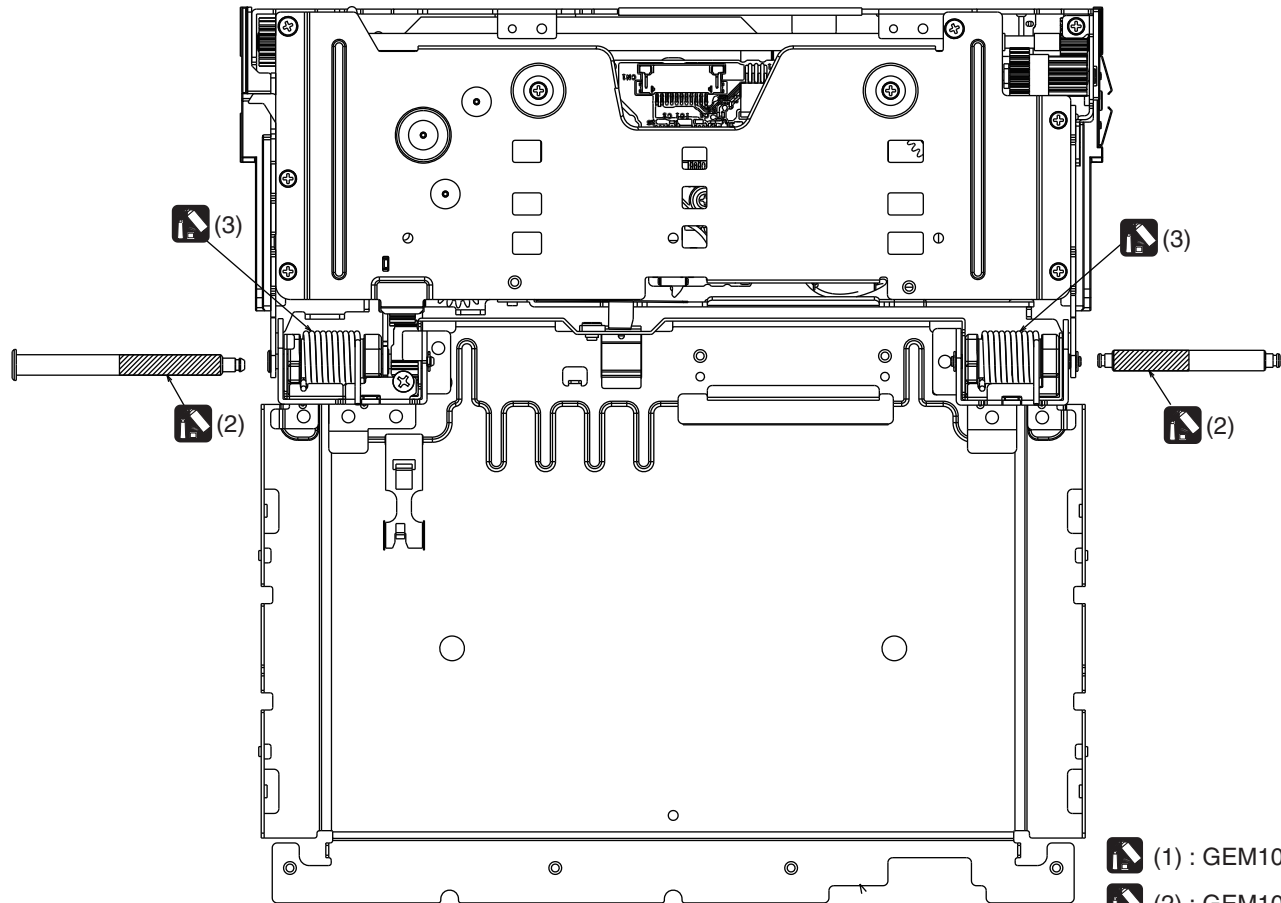



● Grease

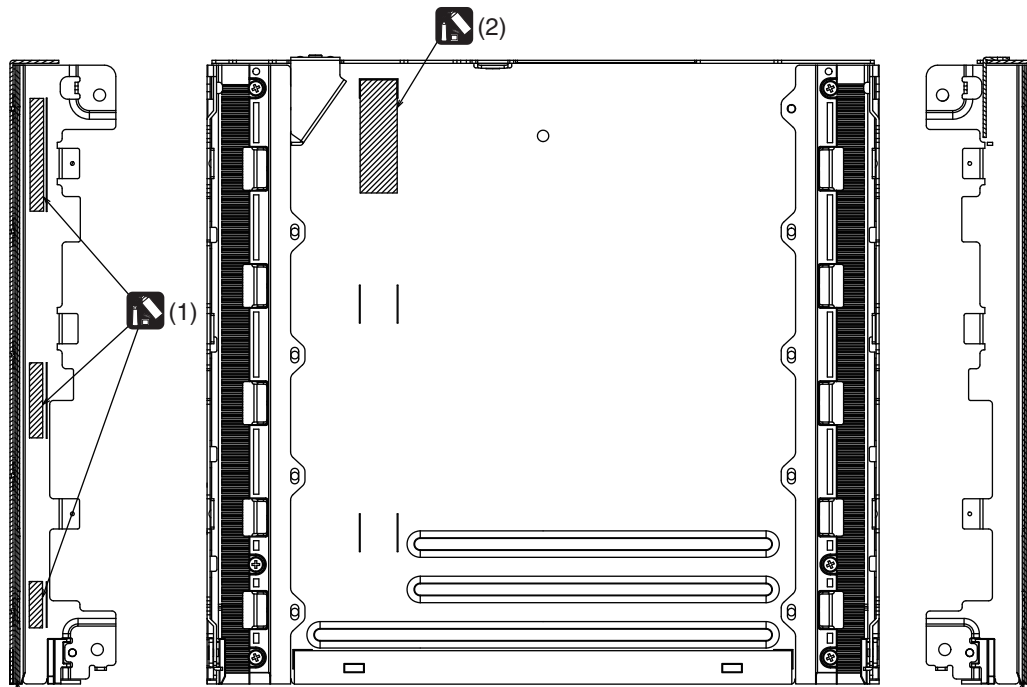
D

E

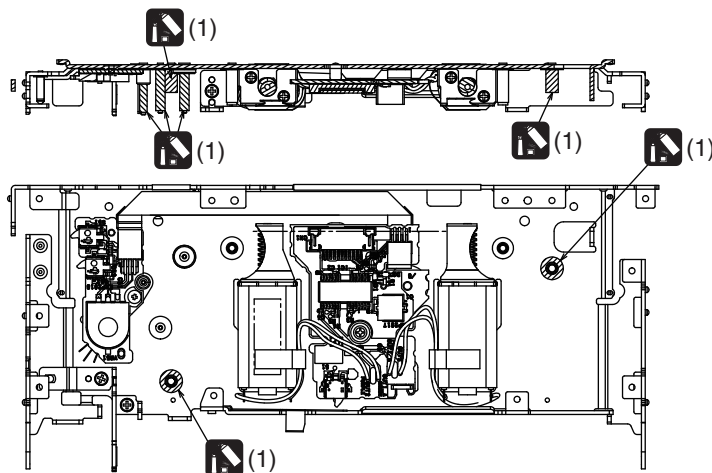
F



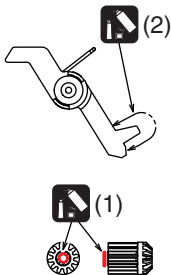
-  (1) : GEM1024
-  (2) : GEM1043
-  (3) : GEM1084



(1) : GEM1024  
 (2) : GEM1043



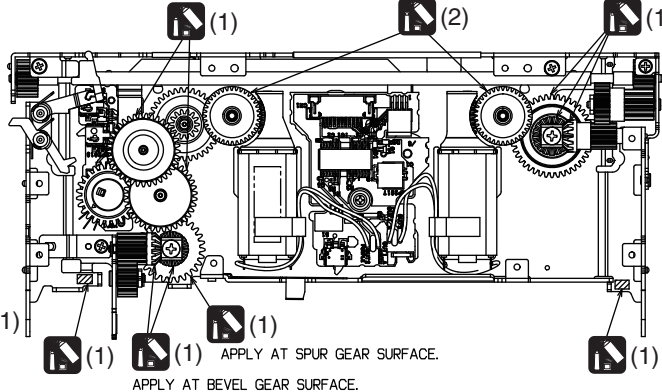
APPLY AT INDICATED SIDE SURFACE.



APPLY AT BIG SPUR GEAR SURFACE.

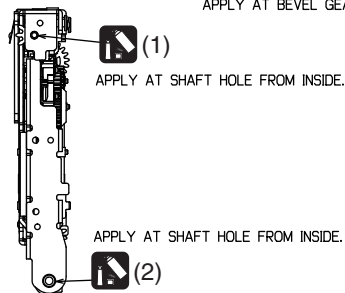
APPLY AT ALL SURFACE OF GEAR.

APPLY AT GEAR SURFACE.



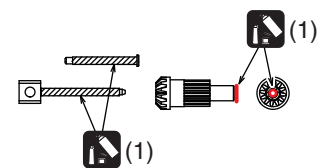
APPLY AT SPUR GEAR SURFACE.

APPLY AT BEVEL GEAR SURFACE.



APPLY AT SHAFT HOLE FROM INSIDE.

APPLY AT SHAFT HOLE FROM INSIDE.



APPLY AT SHAFT HOLE FROM INSIDE.

APPLY AT SHAFT HOLE FROM INSIDE.

# 9.6 DVD MECHANISM MODULE

1

2

3

4

A

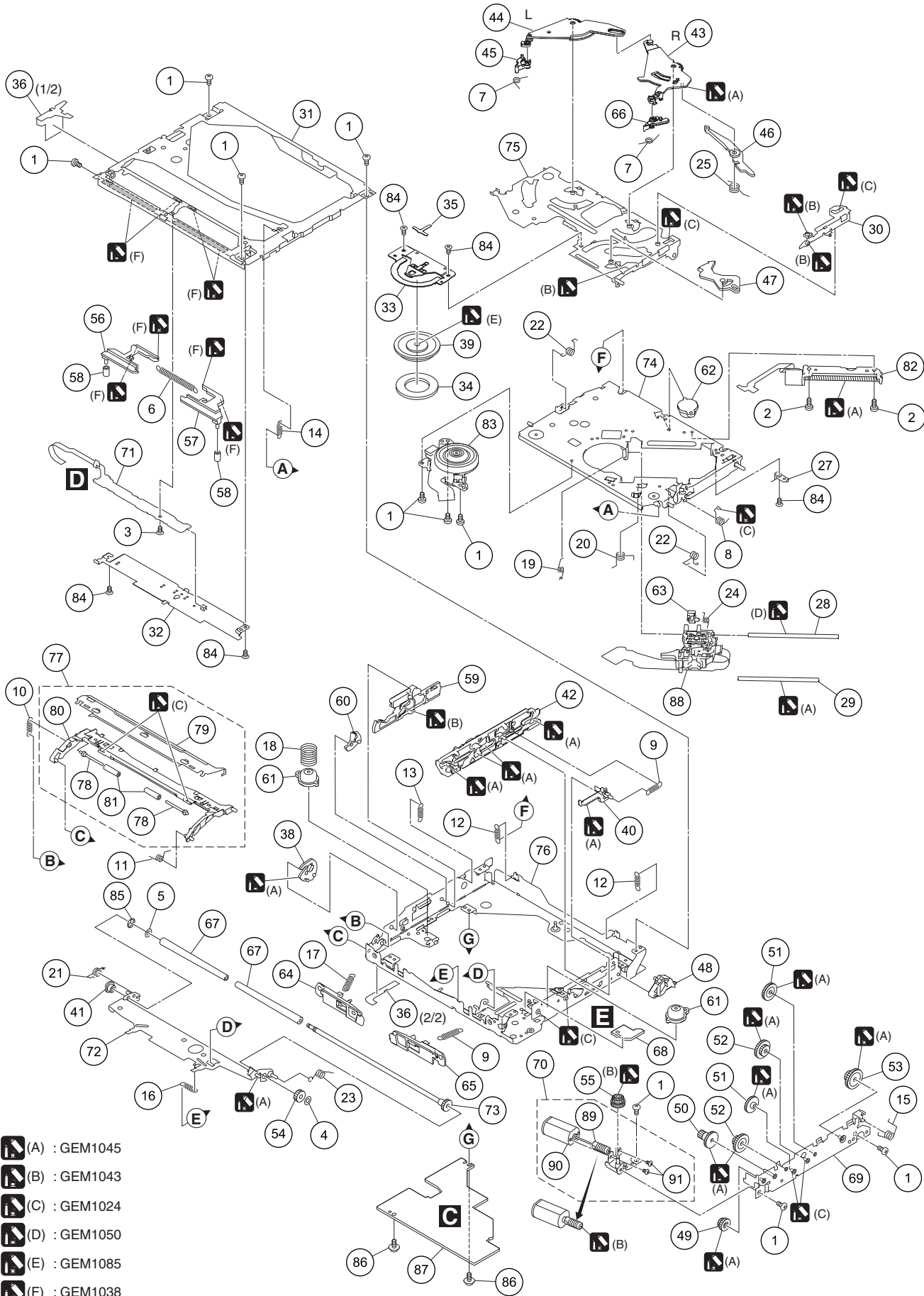
B

C

D

E

F



1

2

3

4

5 6 7 8  
**DVD MECHANISM MODULE SECTION PARTS LIST**

<u>Mark No.</u>	<u>Description</u>	<u>Part No.</u>	<u>Mark No.</u>	<u>Description</u>	<u>Part No.</u>
1	Screw	BMZ20P020FTC	50	Gear	CNV8875
2	Screw	BMZ20P025FNI			
3	Screw	CBA1787	51	Gear	CNV8876
4	Washer	CBF1038	52	Gear	CNV8877
5	Washer	CBF1064	53	Gear	CNV8878
			54	Gear	CNV8879
6	Spring	CBH2589	55	Gear	CNV8880
7	Spring	CBH2590			
8	Spring	CBH2592	56	Lever	CNV8903
9	Spring	CBH2593	57	Lever	CNV8904
10	Spring	CBH2596	58	Roller	CNV8905
			59	Lever	CNV8908
11	Spring	CBH2597	60	Arm	CNV8909
12	Spring	CBH2599			
13	Spring	CBH2600	61	Damper	CNV9061
14	Spring	CBH2601	62	Damper	CNV9062
15	Spring	CBH2604	63	Rack	CNV9063
			64	Arm	CNV9116
16	Spring	CBH2605	65	Arm	CNV9117
17	Spring	CBH2710			
18	Spring	CBH2711	66	Arm	CNV2082
19	Spring	CBH2890	67	Roller	CNV7165
20	Spring	CBH2935	68	Compound Unit(B)	CWX3394
			69	Bracket Unit	CXB8685
21	Spring	CBH2586	70	Brush Motor Unit(LOAD)(M1)	CXE4539
22	Spring	CBH2588			
23	Spring	CBH2898	71	Compound Unit(A)	CWX4034
24	Spring	CBH2926	72	Arm Unit	CXC5486
25	Spring	CBH2591	73	Roller Unit	CXC5708
			74	Chassis Unit	CXC6443
26	.....		75	Arm Unit	CXC7872
27	Spring	CBL1726			
28	Shaft	CLA4918	76	Frame Unit	CXE2486
29	Shaft	CLA4919	77	Guide Unit	CXC8572
30	Lever	CND5494	78	Shaft	CLA4771
			79	Holder	CND5456
31	Frame	CND2250	80	Guide	CNV9569
32	Holder	CND2251			
33	Holder	CNC9939	81	Collar	CNV9570
34	Sheet	CNM6883	82	Motor(STEPPING)(M2)	CXM1364
35	Sheet	CNM8283	83	Motor(SPDL)(M3)	CXM1435
			84	Screw	JFZ20P018FTC
36	Sheet	CNM9658	85	Washer	YE20FTC
37	.....				
38	Cam	CNV7156	86	Screw	IMS20P030FTC
39	Clamper	CNV7158	87	DVD Core Unit(MS7.1)	CWX4332
40	Rack	CNV7175	88	Pickup Unit(Service)	CXX2558
			89	Gear	CNW2264
41	Collar	CNV8845	90	Motor	CXM1321
42	Lever	CNW1926			
43	Arm	CNV8867	91	Screw	JFZ14P020FTC
44	Arm	CNV8868			
45	Arm	CNW2081			
46	Arm	CNV8871			
47	Arm	CNV8872			
48	Arm	CNV8873			
49	Gear	CNV8874			

# 12. ELECTRICAL PARTS LIST

**NOTE:**

- Parts whose parts numbers are omitted are subject to being not supplied.
- The part numbers shown below indicate chip components.

Chip Resistor

RS1/○S○○○○J,RS1/○○S○○○○J

Chip Capacitor (except for CQS.....)

CKS....., CCS....., CSZS.....

- The  $\triangle$  mark found on some component parts indicates the importance of the safety factor of the part. Therefore, when replacing, be sure to use parts of identical designation.
- Meaning of the figures and others in the parentheses in the parts list.

Example) IC 301 is on the point (face A, 91 of x-axis, and 111 of y-axis) of the corresponding PC board.

IC 301 (A, 91, 111) IC NJM2068V

- The expression of the unit in this manual is shown by u instead of  $\mu$ . Please do not make a mistake.

**Circuit Symbol and No.**

**Part No.**

**Circuit Symbol and No.**

**Part No.**

A:AVH-X7500BT/XNUC

B:AVH-X7500BT/XNEW5

C:AVH-X7500BT/XNUW5

D:AVH-X7550BT/XNRC

E:AVH-X7550BT/XNRD

F:AVH-X7550BT/XNRI

Unit Number : CWN7332(A)

Unit Number : CWN7330(B)

Unit Number : CWN7331(C)

Unit Number : CWN7333(D)

Unit Number : CWN7334(E)

Unit Number : CWN7335(F)

Unit Name : DVD Amp Unit

Unit Number : CWN7337

Unit Name : Keyboard Unit

Unit Number : CWX4332

Unit Name : DVD Core Unit(MS7.1)

Unit Number : CWX4034

Unit Name : Compound Unit(A)

Unit Number : CWX3394

Unit Name : Compound Unit(B)

Unit Number : CWN7351(A,D)

Unit Number : CWN7350(B,C,E,F)

Unit Name : Monitor Unit

Unit Number : EWX2008

Unit Name : Main PCB Unit

Unit Number : EWX2009

Unit Name : SW PCB Unit

**A**

Unit Number : CWN7332(A)

Unit Number : CWN7330(B)

Unit Number : CWN7331(C)

Unit Number : CWN7333(D)

Unit Number : CWN7334(E)

Unit Number : CWN7335(F)

Unit Name : DVD Amp Unit

**MISCELLANEOUS**

IC 1001	(B,132,76) IC	NJW4830U2
IC 1101	(A,125,137) IC	PA2030A
IC 1201	(A,159,90) Regulator IC	NJW4181U3-33B
IC 1202	(B,74,79) Regulator	BA00CC0WFP
IC 1203	(B,86,100) IC	BA00DD0WHFP
IC 1204	(B,103,74) IC	NJW4132U2-A
IC 1205	(B,23,18) IC	NJM2886DL3-05
IC 1206	(B,152,31) IC	AN33012UA
IC 1207	(B,58,28) Regulator IC	MM1856A50N
IC 1208	(B,73,28) Regulator IC	S-1172B18-E6
IC 1209	(B,148,61) Regulator IC	BD9876EFJ
IC 1210	(B,154,80) IC	AN33014UA
IC 1301	(A,85,59) IC(A)	PDB101A8
	(A,85,59) IC(B,C,D,E,F)	PDB102A8
IC 1451	(B,103,98) IC	PML020A
IC 1501	(B,52,86) IC	AK4223VQ
IC 1605	(B,64,122) IC	NJM4565V
IC 1606	(B,62,113) IC	NJM4565V
IC 1611	(B,88,70) IC	TC74VHCT08AFKS1
IC 1701	(A,106,22) IC	WM8761BGED
IC 1801	(A,31,42) IC	TDA7706
Q 1001	(B,127,89) Chip Transistor	HN1C01FU
Q 1003	(B,126,85) Transistor	LTC014EEB

5			6			7			8		
<u>Circuit Symbol and No.</u>			<u>Part No.</u>			<u>Circuit Symbol and No.</u>			<u>Part No.</u>		
Q 1004	(B,135,88)	Transistor	LTC014EEB			D 1705	(A,98,126)	Diode	DZ2S180C		
Q 1005	(A,113,100)	Transistor	LSAR523UB			D 1706	(A,98,129)	Diode	DZ2S180C		
Q 1006	(A,116,100)	Transistor	LSAR523UB			D 1707	(A,81,129)	Diode	DZ2S180C		
Q 1101	(A,119,107)	Transistor	LTC014YEB			D 1708	(A,98,125)	Diode	DZ2S180C		A
Q 1102	(A,132,123)	Transistor	RN4987			D 1801	(A,16,51)	Diode	RN731VN		
Q 1103	(A,134,126)	Transistor	LTC043ZEB			D 1802	(A,21,50)	Diode	RN731VN		
Q 1104	(A,107,118)	Chip Transistor	RN4982			D 1901	(B,46,126)	Diode	DZ2J068M0		
Q 1201	(A,102,141)	Transistor	KTX213U			D 1902	(A,39,132)	Diode	EZAEG2A50AX		
Q 1202	(A,90,141)	Transistor	LTC014EEB			D 1903	(A,43,132)	Diode	EZAEG2A50AX		
Q 1203	(A,86,139)	Transistor	LTC014EEB			L 1201	(A,115,74)	Choke Coil 22 uH	CTH1561		
Q 1204	(B,100,141)	Transistor	2SD1760F5			L 1202	(B,46,18)	Inductor	LCTAW2R2J2520		
Q 1205	(B,102,83)	Transistor	LSCR523UB			L 1203	(A,135,16)	Inductor	CTH1544		
Q 1208	(A,154,19)	FET	SFT1342			L 1204	(A,141,44)	Inductor	CTH1519		
Q 1209	(A,157,46)	FET	SFT1342			L 1205	(A,140,52)	Choke Coil 10 uH	CTH1486		B
Q 1212	(B,118,79)	Transistor	KTX213U			L 1207	(A,141,64)	Inductor	CTH1524		
Q 1301	(A,25,89)	Chip Transistor	RN4982			L 1208	(A,146,80)	Inductor	CTH1524		
Q 1302	(A,25,81)	Chip Transistor	HN1C01FU			L 1401	(B,96,87)	Chip Coil	LCTAW100J2520		
Q 1303	(A,70,67)	Transistor	LSCR523UB			L 1701	(A,95,30)	Inductor	CTF1786		
Q 1605	(B,64,129)	Transistor	LSCR523UB			L 1702	(A,114,20)	Inductor	CTF1786		
Q 1606	(B,71,142)	Transistor	UMF23N			L 1801	(A,21,46)	Inductor	CTF1794		
Q 1702	(A,100,137)	Chip Transistor	HN1C03FU			L 1802	(A,18,50)	Inductor	LCTCR15K1608		
Q 1703	(A,96,133)	Chip Transistor	HN1C03FU			L 1803	(A,20,43)	Inductor	CTF1786		
Q 1704	(A,82,132)	Chip Transistor	HN1C03FU			L 1804	(A,19,39)	SMD Ferrite Beads	CTF1806		
Q 1705	(B,67,102)	Chip Transistor	2SD2114K			L 1805	(A,18,47)	Chip Coil	LCTAWR27J2520		
Q 1706	(B,63,98)	Transistor	RN4984			L 1806	(A,17,35)	Inductor	CTF1389		C
Q 1707	(B,67,98)	Transistor	RN4984			L 1808	(A,26,54)	Inductor	CTF1786		
D 1002	(B,131,92)	Diode	HZU7L(A1)			L 1809	(A,27,54)	Inductor	CTF1786		
D 1003	(B,125,98)	Diode	HZU7L(C3)			L 1810	(A,28,30)	Chip Coil	LCTAW470J2520		
D 1004	(B,131,87)	Diode	DA2J101			L 1811	(A,34,32)	Inductor	CTF1786		
D 1005	(B,135,92)	Diode	RKZ5.6KG(B2)			L 1812	(A,40,52)	Inductor	CTF1786		
D 1006	(B,132,81)	Diode	CRG03			L 1813	(A,41,49)	Inductor	CTF1786		
D 1008	(A,119,99)	Diode	DA2J101			L 1815	(A,41,39)	Inductor	CTF1786		
D 1011	(A,141,116)	Diode(A,D,E,F)	1SR154-400			L 1816	(A,42,46)	Inductor	CTF1786		
D 1012	(A,141,112)	Diode(A,D,E,F)	1SR154-400			L 1817	(B,20,41)	Inductor	CTF1786		
D 1013	(A,116,94)	Diode	DA2J101			L 1819	(B,19,33)	Inductor	LCYC220K1608		
D 1101	(A,132,127)	Diode	DA2J101			L 1901	(A,38,130)	Choke Coil 90 ohm	CTH1319		D
D 1201	(B,91,143)	Diode	RKZ6.8KG(B2)			X 1301	(A,71,58)	Crystal Resonator 12.500 MHz	CSS1839		
D 1202	(B,91,138)	Diode	RKZ8.2KG(B2)			X 1801	(A,34,54)	Resonator 36.480 MHz	CSS1805		
D 1203	(B,91,140)	Diode	RKZ9.1KG(B2)			△ P1201	(A,91,146)	Fuse 0.5 A	CEK1278		
D 1204	(A,154,101)	Diode	1SR154-400			△ P1205	(A,29,92)	Fuse 1.75 A	CEK1283		
D 1205	(B,98,81)	Diode	HZU13(B1)			△ P1206	(A,24,67)	Fuse 1.75 A	CEK1283		
D 1206	(B,108,70)	Diode	RB551VM-30			△ P1207	(A,22,98)	Fuse 2.5 A	CEK1285		
D 1208	(B,42,17)	Diode	CRG03			△ P1208	(A,112,43)	Fuse 1.5 A	CEK1282		
D 1209	(A,154,26)	Diode	RB056L-40			P 1701	(A,80,121)	Poly Switch	MINISMDC075F/24		
D 1210	(A,155,36)	Diode	RB056L-40			P 1703	(A,81,137)	Poly Switch	MINISMDC075F/24		
D 1211	(A,131,59)	Diode	RB060M-30			P 1801	(A,13,49)	Surge Absorber	IMSA-6803-01Y900		E
D 1212	(A,133,59)	Diode	RB060M-30			BZ1601	(A,29,14)	Buzzer	CPV1063		
D 1215	(A,150,65)	Diode	RB056L-40			CN1001	(A,156,143)	Plug	CKM1516		
D 1216	(B,148,82)	Diode	DB2X41400			CN1201	(A,95,144)	Connector	CKS4822		
D 1218	(B,79,91)	Diode	1SR154-400			CN1301	(A,41,83)	Connector	CKS6025		
D 1219	(B,78,94)	Diode	1SR154-400			CN1601	(A,66,150)	Connector	CKS4497		
D 1220	(A,102,75)	Diode	CRG03			CN1602	(A,103,86)	Connector(A,B,D,E,F)	CKS6567		
D 1221	(A,102,73)	Diode	CRG03				(A,103,86)	Connector(C)	CKS5757		
D 1301	(A,77,78)	Diode	RB501VM-40			CN1603	(A,30,117)	Connector	CKS6543		
D 1302	(A,77,76)	Diode	DB2J31400			CN1604	(B,113,34)	Connector	CKS6526		
D 1601	(B,68,126)	Diode	DZ2J051M0			CN1702	(A,90,28)	Connector	CKS6346		
D 1701	(B,67,93)	Diode	DZ2J039M0			CN1703	(A,89,128)	Plug	CKM1599		F
D 1702	(A,81,123)	Diode	DZ2S180C			CN1800	(A,5,85)	Clamper	CEF1046		
D 1703	(A,80,126)	Diode	DZ2S180C			JA1601	(A,24,142)	Jack	CKS6437		
D 1704	(A,98,121)	Diode	DZ2S180C			JA1701	(A,13,143)	Jack	CKN1040		

1

**Circuit Symbol and No.**

JA1901 (A,41,141) USB Jack

2

**Part No.**

CKN1091

3

**Circuit Symbol and No.**R 1235 (B,146,27)  
R 1236 (B,145,29)

4

**Part No.**RS1/16SS204J  
RS1/16SS394J**RESISTORS**

A

R 1002 (B,130,90) RS1/16SS103J  
R 1004 (B,130,91) RS1/16SS473J  
R 1005 (B,130,93) RS1/16SS472J  
R 1006 (B,125,95) RS1/16SS104J  
R 1007 (B,126,95) RS1/16SS473JR 1237 (B,158,38) 0.012 ohm  
R 1238 (B,148,37)  
R 1239 (B,152,21)  
R 1240 (B,148,22)  
R 1241 (B,147,23)CCN1321  
RS1/16SS224J  
RS1/16SS472J  
RS1/16SS1101D  
RS1/16SS2701DR 1008 (B,132,96) (A,D,E,F)  
(B,132,96) (B,C)  
R 1009 (B,130,85)  
R 1010 (B,134,86)  
R 1011 (B,137,84) (A,D,E,F)  
(B,137,84) (B,C)RS1/4SA0R0J  
RS1/4SA102J  
RS1/16SS103J  
RS1/16SS472J  
RS1/4SA0R0J  
RS1/4SA102J  
RS1/10SR103JR 1242 (B,150,22)  
R 1243 (B,150,21)  
R 1245 (B,68,27)  
R 1246 (B,148,55)  
R 1247 (B,149,56)RS1/16SS2702D  
RS1/16SS511J  
RS1/10SR0R0J  
RS1/16SS3601D  
RS1/16SS4702D

B

R 1012 (B,133,92) RS1/10SR103J  
  
R 1013 (A,116,97) RS1/16SS473J  
R 1014 (A,116,102) RS1/16SS223J  
R 1015 (A,120,99) RS1/16SS103J  
R 1016 (A,114,102) RS1/16SS223J  
R 1017 (A,116,98) RS1/16SS473JR 1248 (B,150,56)  
R 1249 (B,152,55)  
R 1250 (B,142,64)  
R 1251 (A,129,84)  
R 1252 (A,129,85)RS1/16SS2202D  
RS1/16SS222J  
RS1/8SQ0R0J  
RS1/16SS102J  
RS1/16SS102JR 1018 (A,120,102)  
R 1019 (B,138,95) (A,D,E,F)  
(B,138,95) (B,C)  
R 1020 (A,118,98)  
R 1021 (A,114,98)RS1/16SS103J  
RS1/4SA0R0J  
RS1/4SA102J  
RS1/16SS102J  
RS1/16SS102JR 1253 (A,129,82)  
R 1254 (B,157,74)  
R 1255 (B,155,73)  
R 1256 (B,159,89)  
R 1257 (B,159,88)RS1/16SS102J  
RS1/16SS224J  
RS1/16SS4702D  
RS1/16SS152J  
RS1/16SS3302D

C

R 1101 (A,104,118) RS1/16SS103J  
  
R 1102 (A,119,108) RS1/16SS103J  
R 1103 (A,126,108) (A,C,D,E,F)  
(A,126,108) (B) RS1/16SS103J  
R 1105 (A,136,128) RS1/16SS221J  
R 1106 (A,134,128) RS1/16SS103J  
R 1107 (A,133,128) RS1/16SS102JR 1258 (B,159,87)  
R 1259 (B,156,88)  
R 1260 (A,129,83)  
R 1261 (A,140,79) 0.056 ohm  
R 1262 (B,153,86)RS1/16SS8201D  
RS1/16SS752J  
RS1/16SS102J  
ACN7160  
RS1/16SS0R0JR 1108 (A,107,116) RS1/16SS473J  
R 1201 (A,128,60) RS1/10SR0R0J  
R 1202 (A,105,143) RS1/16SS221J  
R 1203 (A,104,143) RS1/16SS221J  
D R 1204 (A,104,146) RS1/16SS221JR 1263 (B,150,73)  
R 1264 (B,152,74)  
R 1267 (B,157,87)  
R 1268 (B,157,88)  
R 1278 (B,109,81)RS1/16SS394J  
RS1/16SS204J  
RS1/16SS0R0J  
RS1/16SS0R0J  
RS1/8SQ202JR 1205 (A,102,146) RS1/16SS473J  
R 1206 (A,101,144) RS1/16SS103J  
R 1208 (B,76,88) RS1/16SS5100D  
R 1209 (B,76,86) RS1/16SS3302D  
R 1210 (B,75,89) RS1/16SS4701DR 1279 (B,111,79)  
R 1280 (B,79,24)  
R 1283 (B,49,22)  
R 1287 (B,116,81)  
R 1288 (B,118,81)RS1/8SQ202J  
RS1/16SS0R0J  
RS1/16SS0R0J  
RS1/16SS473J  
RS1/16SS102J

E

R 1211 (B,77,98) RS1/16SS2201D  
R 1212 (B,77,100) RS1/16SS2702D  
R 1213 (B,76,98) RS1/16SS4701D  
R 1214 (B,78,97) RS1/16SS0R0J  
R 1215 (B,100,84) RS1/16SS681JR 1302 (A,25,92)  
R 1303 (A,30,90)  
R 1304 (A,33,89)  
R 1305 (A,33,88)  
R 1306 (A,33,87)RS1/16SS102J  
RS1/16SS471J  
RS1/16SS102J  
RS1/16SS221J  
RS1/16SS221JR 1217 (B,101,71) RS1/16SS2203D  
R 1218 (B,99,72) RS1/16SS1602D  
R 1219 (B,99,70) RS1/16SS0R0J  
R 1222 (B,99,74) RS1/16SS6800D  
R 1224 (B,104,84) RS1/16SS0R0JR 1307 (A,33,86)  
R 1308 (A,33,85)  
R 1309 (A,25,97)  
R 1310 (A,33,79)  
R 1311 (A,28,82)RS1/16SS221J  
RS1/16SS221J  
RS1/8SQ0R0J  
RS1/16SS0R0J  
RS1/16SS472JR 1225 (B,31,21) RS1/16SS0R0J  
R 1227 (B,151,41) RS1/16SS561J  
R 1228 (B,152,39) RS1/16SS3302D  
R 1229 (B,149,39) RS1/16SS4301D  
R 1230 (B,148,40) RS1/16SS3601DR 1312 (A,24,82)  
R 1313 (A,87,78) (C,D,E)  
R 1314 (A,87,75) (B,F)  
R 1315 (A,86,78) (B,C,D,F)  
R 1316 (A,85,75) (E)RS1/16SS472J  
RS1/16SS104J  
RS1/16SS104J  
RS1/16SS104J  
RS1/16SS104J

F

R 1231 (B,153,41) RS1/16SS123J  
R 1232 (B,150,24) RS1/16SS103J  
R 1234 (B,157,23) 0.011 ohm CCN1341R 1317 (A,85,78) (C,E,F)  
R 1318 (A,84,75) (B,D)  
R 1320 (A,83,76)  
R 1323 (A,88,75)  
R 1324 (A,89,77)  
R 1325 (A,74,72)RS1/16SS104J  
RS1/16SS104J  
RS1/16SS104J  
RS1/16SS682J  
RS1/16SS221J  
RS1/16SS472JR 1326 (A,76,71)  
R 1327 (A,73,71)RS1/16SS471J  
RS1/16SS472J

1

2

3

4

5		6		7		8	
<u>Circuit Symbol and No.</u>		<u>Part No.</u>		<u>Circuit Symbol and No.</u>		<u>Part No.</u>	
R 1328	(A,76,72)	RS1/16SS471J		R 1405	(A,73,67)	RS1/16SS473J	
R 1329	(A,86,71)	RS1/16SS104J		R 1406	(A,87,47)	RS1/16SS0R0J	
R 1330	(A,85,71)	RS1/16SS104J		R 1407	(A,100,61)	RS1/16SS0R0J	
R 1331	(A,91,79)	RS1/16SS682J		R 1408	(A,98,63)	RS1/16SS0R0J	A
R 1333	(A,110,47)	RS1/16SS101J		R 1409	(B,98,77)	RS1/16SS0R0J	
R 1334	(A,85,73)	RS1/16SS104J		R 1410	(A,92,44)	RS1/16SS104J	
R 1335	(A,83,72)	RS1/16SS103J		R 1411	(A,92,45)	RS1/16SS104J	
R 1336	(A,82,72)	RS1/16SS0R0J		R 1412	(B,109,40)	RS1/16SS182J	
R 1337	(A,74,73)	RS1/16SS473J		R 1413	(B,108,40)	RS1/16SS182J	
R 1339	(A,73,59)	RS1/16SS0R0J		R 1414	(B,89,66)	RS1/16SS0R0J	
R 1340	(A,80,43)	RS1/16SS473J		R 1416	(A,78,73)	RS1/16SS471J	
R 1341	(A,72,67)	RS1/16SS104J		R 1417	(A,76,74)	RS1/16SS105J	
R 1342	(A,71,64)	RS1/16SS473J		R 1418	(A,85,47)	RS1/16SS0R0J	
R 1343	(B,75,62)	RS1/16SS102J		R 1419	(A,98,55)	RS1/16SS473J	B
R 1344	(A,68,65)	RS1/16SS473J		R 1420	(A,83,78)	RS1/16SS0R0J	
R 1346	(A,67,61)	RS1/16SS472J		R 1451	(A,111,92)	RS1/16SS0R0J	
R 1347	(A,67,60)	RS1/16SS472J		R 1454	(B,96,90)	RS1/16SS473J	
R 1348	(A,66,59)	RS1/16SS473J		R 1455	(B,111,107)	RS1/8SQ182J	
R 1349	(B,82,59)	RS1/16SS102J		R 1456	(B,108,108)	RS1/8SQ182J	
R 1350	(A,72,52)	RS1/16SS102J		R 1457	(B,108,111)	RS1/8SQ182J	
R 1351	(A,71,48)	RS1/16SS121J		R 1458	(B,96,106)	RS1/8SQ182J	
R 1352	(A,71,46)	RS1/16SS104J		R 1459	(B,113,107)	RS1/8SQ272J	
R 1353	(A,72,46)	RS1/16SS121J		R 1460	(A,106,113)	RS1/8SQ272J	
R 1357	(A,67,67)	RS1/16SS473J		R 1461	(A,111,114)	RS1/8SQ272J	
R 1358	(A,73,65)	RS1/16SS471J		R 1462	(A,109,111)	RS1/8SQ272J	C
R 1359	(A,73,64)	RS1/16SS471J		R 1463	(A,112,95)	RS1/16SS0R0J	
R 1360	(A,62,61)	RS1/16SS472J		R 1464	(B,111,92)	RS1/16SS0R0J	
R 1363	(A,71,52)	RS1/16SS104J		R 1465	(B,113,93)	RS1/16SS162J	
R 1364	(A,76,47)	RS1/16SS0R0J		R 1501	(B,47,94)	RS1/16SS470J	
R 1365	(A,77,47)	RS1/16SS0R0J		R 1505	(B,48,94)	RS1/16SS75R0F	
R 1366	(A,78,47)	RS1/16SS0R0J		R 1506	(B,45,94)	RS1/16SS75R0D	
R 1367	(A,76,45)	RS1/16SS0R0J		R 1507	(B,63,90)	RS1/16SS471J	
R 1368	(A,78,43)	RS1/16SS473J		R 1508	(B,63,89)	RS1/16SS471J	
R 1369	(A,82,44)	RS1/16SS103J		R 1509	(B,63,87)	RS1/16SS471J	
R 1370	(A,81,46)	RS1/16SS0R0J		R 1510	(B,63,86)	RS1/16SS471J	
R 1371	(A,83,47)	RS1/16SS104J		R 1511	(B,63,84)	RS1/16SS471J	D
R 1372	(A,83,44)	RS1/16SS103J		R 1512	(B,63,83)	RS1/16SS471J	
R 1373	(A,84,45)	RS1/16SS102J		R 1513	(B,56,76)	RS1/16SS471J	
R 1374	(A,88,44)	RS1/16SS473J		R 1514	(B,55,76)	RS1/16SS471J	
R 1378	(A,90,44)	RS1/16SS473J		R 1519	(B,42,81)	RS1/16SS101J	
R 1379	(A,90,45)	RS1/16SS473J		R 1520	(B,42,82)	RS1/16SS101J	
R 1380	(A,97,69)	RS1/16SS221J		R 1521	(B,42,86)	RS1/16SS101J	
R 1381	(A,97,70)	RS1/16SS221J		R 1522	(B,42,87)	RS1/16SS101J	
R 1382	(A,101,69)	RS1/16SS221J		R 1523	(B,42,88)	RS1/16SS101J	
R 1383	(A,98,66)	RS1/16SS221J		R 1524	(B,42,89)	RS1/16SS101J	
R 1384	(A,98,64)	RS1/16SS221J		R 1525	(B,42,90)	RS1/16SS101J	
R 1385	(A,98,62)	RS1/16SS221J		R 1526	(B,41,88)	RS1/16SS750J	E
R 1386	(A,99,60)	RS1/16SS104J		R 1527	(B,41,86)	RS1/16SS750J	
R 1387	(A,97,58)	RS1/16SS473J		R 1529	(B,41,82)	RS1/16SS750J	
R 1388	(B,92,68)	RS1/16SS473J		R 1531	(B,42,91)	RS1/16SS101J	
R 1389	(A,98,51)	RS1/16SS471J		R 1601	(B,67,119)	RS1/16SS153J	
R 1390	(A,98,53)	RS1/16SS102J		R 1602	(A,35,108)	RS1/10SR0R0J	
R 1391	(A,89,73)	RS1/16SS104J		R 1604	(B,13,130)	RS1/10SR102J	
R 1395	(A,98,61)	RS1/16SS471J		R 1605	(B,13,127)	RS1/10SR102J	
R 1396	(A,98,65)	RS1/16SS0R0J		R 1606	(B,70,127)	RS1/16SS153J	
R 1397	(A,99,69)	RS1/16SS473J		R 1607	(B,70,125)	RS1/16SS153J	
R 1398	(A,96,69)	RS1/16SS104J		R 1608	(B,59,120)	RS1/16SS153J	F
R 1399	(A,90,73)	RS1/16SS221J		R 1609	(B,57,122)	RS1/16SS153J	
R 1400	(A,71,51)	RS1/16SS473J		R 1610	(B,58,122)	RS1/16SS153J	
R 1403	(A,98,58)	RS1/16SS104J		R 1611	(B,69,119)	RS1/16SS153J	

1

**Circuit Symbol and No.**

R 1613 (B,68,129)  
 R 1614 (B,61,126)  
 R 1615 (B,58,120)

A

R 1616 (B,113,39)  
 R 1617 (B,67,114)  
 R 1618 (B,70,120)  
 R 1626 (B,69,140)  
 R 1627 (B,65,136)

■

R 1628 (B,61,136)  
 R 1629 (A,64,136)  
 R 1630 (A,61,140)  
 R 1631 (A,54,138)  
 R 1632 (A,58,140)

B

R 1633 (A,55,140)  
 R 1634 (B,73,137)  
 R 1635 (B,72,137)  
 R 1636 (B,71,137)  
 R 1637 (B,70,137)

■

R 1641 (A,67,141)  
 R 1642 (A,66,141)  
 R 1643 (B,70,114)  
 R 1644 (B,57,111)  
 R 1645 (B,67,112)

C

R 1646 (B,56,116)  
 R 1647 (B,57,112)  
 R 1648 (B,57,113)  
 R 1649 (B,69,114)  
 R 1650 (B,71,144)

■

R 1651 (B,73,141)  
 R 1652 (B,73,143)  
 R 1654 (B,110,40)  
 R 1656 (A,105,81)  
 R 1702 (A,115,19)

D

R 1707 (A,95,115)  
 R 1708 (A,91,115)  
 R 1709 (A,100,115)  
 R 1710 (A,96,115)  
 R 1711 (A,90,115)

■

R 1712 (A,87,115)  
 R 1713 (A,94,115)  
 R 1714 (A,92,115)  
 R 1715 (A,99,115)  
 R 1716 (A,97,115)

E

R 1717 (A,89,115)  
 R 1718 (A,88,115)  
 R 1721 (A,79,132)  
 R 1722 (A,79,134)  
 R 1723 (A,103,137)

■

R 1724 (A,103,138)  
 R 1725 (A,99,134)  
 R 1726 (A,99,133)  
 R 1727 (A,94,128)  
 R 1728 (A,94,126)

F

R 1733 (A,94,124)  
 R 1734 (A,94,122)  
 R 1736 (A,80,112)  
 R 1741 (B,64,100)  
 R 1742 (B,64,101)

R 1743 (B,63,95)  
 R 1759 (B,83,28)

2

**Part No.**

RS1/16SS102J  
 RS1/16SS472J  
 RS1/16SS153J

RS1/16SS0R0J  
 RS1/16SS153J  
 RS1/16SS273J  
 RS1/16SS223J  
 RS1/16SS223J

RS1/16SS562J  
 RS1/10SR102J  
 RS1/10SR102J  
 RS1/16SS103J  
 RS1/10SR471J

RS1/10SR471J  
 RS1/16SS0R0J  
 RS1/16SS0R0J  
 RS1/16SS0R0J  
 RS1/16SS0R0J

RS1/16SS222J  
 RS1/16SS222J  
 RS1/16SS273J  
 RS1/16SS153J  
 RS1/16SS473J

RS1/16SS153J  
 RS1/16SS153J  
 RS1/16SS153J  
 RS1/16SS153J  
 RS1/10SR222J

RS1/16SS562J  
 RS1/16SS332J  
 RS1/16SS272J  
 RS1/16SS0R0J  
 RS1/16SS0R0J

RS1/16SS390J  
 RS1/16SS390J  
 RS1/16SS390J  
 RS1/16SS390J  
 RS1/16SS390J

RS1/16SS390J  
 RS1/16SS223J  
 RS1/16SS223J  
 RS1/16SS223J  
 RS1/16SS223J

RS1/16SS223J  
 RS1/16SS223J  
 RS1/16SS472J  
 RS1/16SS472J  
 RS1/16SS472J

RS1/16SS472J  
 RS1/16SS472J  
 RS1/16SS472J  
 RS1/16SS223J  
 RS1/16SS223J

RS1/16SS223J  
 RS1/16SS223J  
 RS1/10SR0R0J  
 RS1/16SS152J  
 RS1/16SS103J

RS1/16SS122J  
 RS1/16SS101J

3

**Circuit Symbol and No.**

R 1762 (B,83,24)  
 R 1763 (A,94,35)  
 R 1764 (A,95,35)

R 1765 (B,89,33)  
 R 1768 (B,87,33)  
 R 1771 (B,83,23)  
 R 1772 (B,83,25)  
 R 1773 (A,96,24)

R 1774 (A,94,23)  
 R 1775 (A,94,24)  
 R 1778 (A,96,30)  
 R 1801 (A,36,29)  
 R 1806 (A,18,53)

R 1807 (A,22,53)  
 R 1808 (A,17,32)  
 R 1809 (A,23,34)  
 R 1810 (A,25,30)  
 R 1811 (A,26,32)

R 1812 (A,30,32)  
 R 1814 (A,40,31)  
 R 1815 (A,36,27)  
 R 1816 (A,16,37)  
 R 1817 (B,38,36)

R 1819 (A,15,61) (A,D,E,F)  
 R 1820 (B,22,40) (B,C)

**CAPACITORS**

C 1002 (B,128,84)  
 C 1004 (B,134,90)  
 C 1005 (B,133,72)  
 C 1007 (B,130,79)  
 C 1008 (B,135,82)

C 1101 (A,121,126) 0.22 uF  
 C 1102 (A,123,126) 0.22 uF  
 C 1103 (A,127,126) 0.22 uF  
 C 1104 (A,125,126) 0.22 uF  
 C 1105 (A,129,126) 1 uF

C 1106 (A,111,123) 10 uF/16 V  
 C 1107 (A,141,132)  
 C 1108 (A,151,127)  
 C 1109 (A,137,126)  
 C 1110 (A,120,114) Capacitor

C 1111 (A,127,114) Capacitor  
 C 1117 (A,117,127) 0.1 uF  
 C 1201 (A,91,151) 10 uF  
 C 1202 (B,91,141)  
 C 1203 (A,91,148)

C 1204 (A,151,94) Capacitor  
 C 1205 (A,160,94)  
 C 1206 (A,158,87)  
 C 1207 (A,167,85)  
 C 1209 (A,76,92)

C 1210 (B,74,86)  
 C 1211 (B,79,98)  
 C 1212 (A,84,96)  
 C 1213 (B,109,84)  
 C 1216 (B,101,70)

C 1217 (B,109,75) 10 uF  
 C 1218 (B,61,28)

4

**Part No.**

RS1/16SS101J  
 RS1/16SS102J  
 RS1/16SS102J

RS1/16SS102J  
 RS1/16SS0R0J  
 RS1/16SS0R0J  
 RS1/16SS0R0J  
 RS1/16SS0R0J  
 RS1/16SS331J

RS1/16SS331J  
 RS1/16SS331J  
 RS1/16SS181J  
 RS1/4SA5R6J  
 RS1/16SS221J

RS1/16SS751J  
 RS1/16SS152J  
 RS1/16SS105J  
 RS1/16SS471J  
 RS1/16SS330J

RS1/16SS681J  
 RS1/4SA5R6J  
 RS1/4SA5R6J  
 RS1/16SS105J  
 RS1/16SS102J

RS1/16SS0R0J  
 RS1/16SS0R0J

CKSRYB105K16  
 CKSSYB102K50  
 CKSSYB104K16  
 CKSSYB104K16  
 CKSSYB104K16

CCG1313  
 CCG1313  
 CCG1313  
 CCG1313  
 CCG1325

CCH1998  
 CKSRYB104K16  
 XCEAT102M16  
 CKSSYB102K50  
 CEVLW470M16

CEVLW470M16  
 CCG1357  
 CCG1236  
 CKSSYB103K16  
 CKSSYB103K16

CEVLW470M16  
 CKSSYB104K10  
 CKSRYB104K50  
 XCEAT102M16  
 CEVW101M16

CKSRYB105K16  
 CKSRYB105K16  
 CEVW101M16  
 CKSSYB104K16  
 CCSSCH470J50

CCG1236  
 CKSRYB105K16

5		6		7		8	
<u>Circuit Symbol and No.</u>		<u>Part No.</u>		<u>Circuit Symbol and No.</u>		<u>Part No.</u>	
C 1219	(A,167,62)	XCEAT102M16		C 1287	(A,129,81)	CKSSYB104K16	
C 1220	(B,104,78) 10 uF	CCG1236		C 1288	(A,139,84) 22 uF	DCH1256	
C 1222	(B,32,18) 10 uF	CCG1192		C 1293	(A,17,90)	CEVLW101M10	
C 1223	(B,31,19)	CKSRYB105K10		C 1296	(B,109,77) 10 uF	CCG1236	A
C 1224	(B,150,39)	CCSSCH471J50		C 1297	(B,116,79)	CKSSYB104K10	
C 1225	(B,153,39)	CKSSYB103K16		C 1298	(B,108,45)	CKSSYB104K16	
C 1226	(B,153,36)	CCSSCH8R0D50		C 1299	(A,118,46) 10 uF	CCG1192	
C 1227	(B,151,22)	CCSSCH8R0D50		C 1301	(A,35,92)	CKSSYB104K10	
C 1228	(B,152,22)	CKSSYB103K16		C 1302	(A,28,96)	CKSSYB104K10	
C 1229	(B,149,22)	CCSSCH681J50		C 1303	(A,31,96) 22 uF	CCG1254	
C 1230	(A,148,28)	CKSSYB102K50		C 1304	(A,71,71)	CKSSYB104K10	
C 1231	(A,149,28)	CKSSYB104K10		C 1305	(A,73,69)	CKSSYB104K10	
C 1232	(A,141,28) 10 uF	CCG1236		C 1308	(A,71,60)	CCSSCH8R0D50	
C 1233	(A,143,28) 10 uF	CCG1236		C 1309	(A,73,57)	CCSSCH100D50	B
C 1234	(A,146,28) 47 uF	CCG1233		C 1310	(A,71,54)	CKSSYB104K10	
C 1236	(B,160,35)	CKSRYB473K50		C 1312	(A,69,54)	CKSSYB104K10	
C 1237	(B,160,27)	CKSRYB102K50		C 1314	(A,73,53)	CKSSYB102K50	
C 1238	(B,160,33) 10 uF	CCG1236		C 1315	(A,97,60)	CKSSYB104K10	
C 1239	(B,151,25)	CKSSYB104K10		C 1316	(A,113,65)	CKSSYB103K16	
C 1240	(B,160,28) 10 uF	CCG1236		C 1317	(A,113,67) 0.1 uF	CCG1321	
C 1241	(B,160,31) 10 uF	CCG1236		C 1321	(A,70,54)	CKSSYB105K6R3	
C 1242	(B,153,25)	CKSSYB104K16		C 1322	(A,68,54)	CKSSYB105K6R3	
C 1243	(B,154,38)	CKSSYB104K16		C 1323	(A,91,43)	CKSSYB104K10	
C 1244	(B,147,37)	CKSSYB104K10		C 1324	(A,92,47)	CKSSYB104K10	
C 1245	(B,150,37)	CKSRYB105K10		C 1325	(A,78,74)	CKSSYB104K10	C
C 1246	(A,157,36) 10 uF	CCG1236		C 1326	(A,79,71)	CKSSYB104K10	
C 1247	(A,146,35) 47 uF	CCG1233		C 1327	(A,80,74)	CKSSYB104K10	
C 1248	(A,153,55)	CKSRYB102K50		C 1329	(A,79,72)	CKSSYB104K10	
C 1249	(A,143,35) 10 uF	CCG1236		C 1390	(A,113,68)	CCSSCH102J50	
C 1250	(A,151,55) 10 uF	CCG1236		C 1451	(B,109,91) 2.2 uF	CCG1218	
C 1251	(A,141,35) 10 uF	CCG1236		C 1452	(B,111,103)	CKSRYB105K10	
C 1252	(A,167,58) 3 300 uF/16 V	CCH2027		C 1453	(B,112,101)	CCSQCH223J50	
C 1253	(A,149,35)	CKSSYB104K10		C 1454	(B,112,100)	CCSQCH223J50	
C 1254	(A,148,35)	CKSSYB102K50		C 1455	(B,111,98)	CKSRYB105K10	
C 1257	(B,60,31)	CKSRYB105K10		C 1456	(B,111,97)	CKSRYB105K10	
C 1258	(B,74,24) 4.7 uF	CCG1201		C 1457	(B,112,95)	CKSRYB105K10	D
C 1259	(B,74,33) 4.7 uF	CCG1201		C 1458	(B,110,94)	CKSRYB105K10	
C 1260	(A,33,93)	CKSSYB104K10		C 1459	(B,109,105)	CKSRYB105K10	
C 1262	(A,16,98)	CEVLW101M10		C 1460	(B,103,90)	CKSSYB104K10	
C 1263	(A,41,113)	CKSSYB104K10		C 1461	(B,107,90)	CKSRYB474K10	
C 1264	(A,135,68)	CKSSYB103K16		C 1462	(B,105,90) 10 uF	CCG1192	
C 1265	(A,137,68) 10 uF	CCG1236		C 1463	(B,103,91)	CCSSCH820J50	
C 1268	(B,152,57)	CKSSYB682K25		C 1464	(B,100,89) 10 uF	CCG1192	
C 1269	(B,142,61)	CKSSYB103K16		C 1466	(B,93,107) 10 uF	CCG1236	
C 1270	(B,146,66) 10 uF	CCG1236		C 1467	(B,102,106)	CCSSCH820J50	
C 1271	(B,144,64)	CKSSYB103K25		C 1468	(B,106,109)	CKSSYB104K16	
C 1272	(A,130,69) Capacitor	CEVLW470M16		C 1469	(B,116,102) 10 uF	CCG1236	E
C 1273	(B,109,45)	CKSRYB104K16		C 1471	(B,94,103)	CKSRYB105K10	
C 1274	(B,150,74)	CKSSYB104K16		C 1472	(B,94,101)	CKSRYB105K10	
C 1275	(B,150,87) 10 uF	CCG1236		C 1473	(B,94,99)	CKSRYB105K10	
C 1276	(A,134,83)	CEVLW101M10		C 1474	(B,94,98)	CKSRYB105K10	
C 1277	(B,159,78)	CKSRYB105K10		C 1475	(B,94,97)	CKSRYB105K10	
C 1278	(B,156,74)	CKSSYB102K50		C 1476	(B,95,95)	CKSSYB104K10	
C 1279	(B,158,74)	CKSSYB472K25		C 1477	(B,96,92) 10 uF	CCG1192	
C 1280	(B,153,74)	CKSSYB104K16		C 1479	(B,105,108)	CCSRCH102J50	
C 1281	(B,157,89)	CCSSCH471J50		C 1480	(B,103,107)	CCSSCH101J50	
C 1282	(B,155,88)	CKSSYB222K50		C 1481	(B,94,105)	CCSRCH102J50	
C 1283	(B,155,87)	CCSSCH270J50		C 1482	(B,102,91)	CCSSCH102J50	F
C 1284	(A,143,90) Capacitor	CEVLW470M16		C 1483	(B,104,89)	CCSSCH102J50	
C 1285	(B,154,85)	CKSSYB104K16		C 1485	(B,112,94)	CKSSYB103K16	

1

**Circuit Symbol and No.**

C 1501 (B,47,95)  
 C 1502 (A,52,82)  
 C 1503 (B,56,78)

A

C 1504 (B,55,78)  
 C 1505 (B,51,75)  
 C 1506 (B,51,78)  
 C 1507 (A,52,81)  
 C 1508 (B,62,78)

■

C 1509 (B,62,80)  
 C 1510 (B,44,81)  
 C 1511 (B,61,81)  
 C 1512 (B,44,82)  
 C 1513 (B,61,82)

B

C 1514 (B,44,83)  
 C 1515 (B,61,84)  
 C 1516 (B,44,84)  
 C 1517 (B,61,86)  
 C 1518 (B,44,86)

■

C 1519 (B,61,87)  
 C 1520 (B,44,87)  
 C 1521 (B,61,88)  
 C 1522 (B,44,88)  
 C 1523 (B,61,90)

C

C 1524 (B,44,89)  
 C 1525 (B,61,91)  
 C 1526 (B,44,90)  
 C 1527 (B,61,93)  
 C 1528 (B,44,91)

■

C 1529 (B,61,94)  
 C 1530 (B,44,92)  
 C 1531 (B,51,95) 10 uF  
 C 1532 (B,49,94)  
 C 1533 (B,50,94)

D

C 1536 (B,54,96) 10 uF  
 C 1537 (B,57,96) 10 uF  
 C 1538 (A,52,83)  
 C 1539 (B,51,77)  
 C 1540 (B,53,94)

■

C 1603 (B,90,67)  
 C 1621 (B,70,126)  
 C 1622 (B,62,126)  
 C 1623 (B,64,126)  
 C 1624 (B,59,122)

E

C 1625 (B,60,124)  
 C 1626 (B,70,116) 2.2 uF  
 C 1627 (B,70,122) 2.2 uF  
 C 1628 (B,58,116)  
 C 1629 (B,57,115)

■

C 1630 (B,68,116) 2.2 uF  
 C 1631 (B,67,133)  
 C 1632 (B,65,133)  
 C 1633 (B,63,133)  
 C 1634 (B,62,133)

F

C 1635 (B,60,133)  
 C 1639 (B,69,120)  
 C 1640 (B,57,120)  
 C 1641 (B,68,114)  
 C 1645 (B,50,52) 10 uF

C 1701 (A,79,127)  
 C 1702 (A,111,18)

2

**Part No.**

CKSSYB271K50  
 CKSRYB105K10  
 CKSRYB105K10

CKSRYB105K10  
 CKSRYB105K10  
 CKSRYB105K10  
 CKSSYB104K10  
 CKSRYB105K10

CKSRYB105K10  
 CKSSYB104K10  
 CKSRYB105K10  
 CKSRYB105K10  
 CKSSYB104K10  
 CKSRYB105K10

CKSSYB104K10  
 CKSRYB105K10  
 CKSSYB104K10  
 CKSRYB105K10  
 CKSSYB104K10

CKSRYB105K10  
 CKSSYB104K10  
 CKSRYB105K10  
 CKSSYB104K10  
 CKSRYB105K10

CKSSYB104K10  
 CKSRYB105K10  
 CKSSYB104K10  
 CKSRYB105K10  
 CKSSYB104K10

CKSRYB105K10  
 CKSSYB104K10  
 CCG1192  
 CKSSYB104K10  
 CKSSYB104K10

CCG1192  
 CCG1192  
 CKSRYB105K10  
 CKSRYB105K10  
 CCSSCH102J50

CKSSYB104K10  
 CCSSCH101J50  
 CKSRYB105K10  
 CKSRYB105K10  
 CCSSCH101J50

CKSSYB104K10  
 CCG1218  
 CCG1218  
 CKSSYB104K10  
 CCSSCH100D50

CCG1218  
 CKSQYB225K16  
 CKSQYB225K16  
 CKSQYB225K16  
 CKSQYB225K16

CKSQYB225K16  
 CCSSCH101J50  
 CCSSCH101J50  
 CCSSCH101J50  
 CCG1236

CKSRYB104K50  
 CCSSCH101J50

3

**Circuit Symbol and No.**

C 1703 (A,114,25) Capacitor  
 C 1704 (A,81,125)  
 C 1706 (B,10,133)

C 1707 (A,98,29)  
 C 1708 (B,89,28) 10 uF  
 C 1709 (B,83,19) 10 uF  
 C 1711 (A,100,34) Capacitor  
 C 1712 (A,110,24) 1 uF

C 1713 (B,84,29)  
 C 1714 (B,90,34)  
 C 1717 (B,84,19)  
 C 1718 (A,113,18) 10 uF  
 C 1720 (A,101,20)

C 1721 (A,110,18)  
 C 1723 (A,100,21) 10 uF  
 C 1726 (A,98,128) 2.2 uF  
 C 1727 (A,84,129)  
 C 1728 (A,94,113) 4.7 uF

C 1729 (A,92,113) 4.7 uF  
 C 1730 (A,100,113) 4.7 uF  
 C 1731 (A,97,113) 4.7 uF  
 C 1732 (A,90,113) 4.7 uF  
 C 1733 (A,87,113) 4.7 uF

C 1734 (A,98,122) 2.2 uF  
 C 1735 (A,96,23)  
 C 1736 (B,66,95)  
 C 1801 (A,15,48)  
 C 1802 (A,17,49)

C 1803 (A,18,52)  
 C 1804 (A,22,42)  
 C 1805 (A,21,39)  
 C 1806 (A,21,53)  
 C 1807 (A,21,40)

C 1808 (A,23,48)  
 C 1809 (A,23,40)  
 C 1810 (A,22,38)  
 C 1811 (A,21,36) 10 uF  
 C 1812 (A,22,44)

C 1813 (A,20,44)  
 C 1814 (A,25,49)  
 C 1815 (A,25,52)  
 C 1816 (A,26,51)  
 C 1817 (A,24,31) 10 uF

C 1818 (A,28,51)  
 C 1819 (A,25,32)  
 C 1820 (A,26,30)  
 C 1821 (A,24,35)  
 C 1822 (A,26,28)

C 1823 (A,30,54)  
 C 1824 (A,29,54)  
 C 1825 (A,31,50)  
 C 1826 (A,30,33)  
 C 1827 (A,32,54)

C 1828 (A,37,54)  
 C 1829 (A,36,31)  
 C 1830 (A,34,50)  
 C 1832 (A,42,34)  
 C 1833 (A,33,33)

C 1834 (A,37,48)  
 C 1835 (A,40,48)

4

**Part No.**

CEVLW470M16  
 CKSRYB104K50  
 CKSSYB104K10

CCSSCH101J50  
 CCG1192  
 CCG1192  
 CEVLW221M4  
 DCH1246

CKSSYB103K16  
 CKSRYB105K10  
 CKSRYB104K16  
 CCG1192  
 CKSSYB103K16

CKSSYB104K10  
 CCG1192  
 CCG1218  
 CKSSYB104K10  
 CCG1201

CCG1201  
 CCG1201  
 CCG1201  
 CCG1201  
 CCG1201

CCG1218  
 CCSSCH101J50  
 CKSRYB471K50  
 CCSSCH330J50  
 CCSSCH6R0D50

CKSSYB103K16  
 CKSSYB104K10  
 CKSSYB104K10  
 CKSSYB103K16  
 CKSSYB104K10

CKSSYB103K16  
 CKSSYB103K16  
 CKSSYB103K16  
 CCG1192  
 CKSSYB103K16

CKSRYB105K10  
 CCSSCH220J50  
 CKSRYB224K16  
 CKSSYB104K10  
 CCG1192

CKSRYB105K10  
 CKSSYB104K10  
 CCSSCH101J50  
 CKSSYB104K10  
 CKSSYB103K16

CKSSYB472K25  
 CKSSYB472K25  
 CKSSYB104K10  
 CCSSCH820J50  
 CCSSCH9R0D50

CCSSCH9R0D50  
 CKSRYB474K10  
 CKSSYB104K10  
 CKSSYB104K10  
 CCSSCH101J50

CKSRYB105K10  
 CKSSYB104K10

5  
**Circuit Symbol and No.**

C 1836 (A,42,36)  
C 1837 (A,39,40)  
C 1838 (A,40,44) 2.2 uF

C 1840 (A,17,37)  
C 1841 (A,21,34)  
C 1843 (A,36,34)  
C 1844 (A,13,48) (A)  
C 1848 (A,16,35) (A)

C 1851 (B,18,42)  
C 1853 (A,33,31)  
C 1854 (B,31,34)  
C 1855 (B,28,118)  
C 1901 (B,47,126)

C 1920 (A,26,106)  
C 1950 (A,53,26) 10 uF  
C 1953 (B,47,60) 10 uF

**B**

**Unit Number : CWN7337**  
**Unit Name : Keyboard Unit**

**MISCELLANEOUS**

IC 2001 (A,133,10) Remote IC GP1UXC14RK  
Q 2001 (B,158,14) Chip Transistor HN1C01FU  
Q 2002 (B,151,15) Transistor LSCR523UB  
D 2001 (A,44,11) LED SMLVN6RGB2UK(B)  
D 2002 (A,162,12) LED SMLVN6RGB2UK(B)

S 2001 (A,59,16) Switch CSN1057  
S 2002 (A,50,5) Push Switch CSG1155  
S 2003 (A,162,18) Push Switch CSG1155  
S 2004 (A,14,11) Encoder(VOLUME/MUTE) CSD1168  
S 2005 (A,162,6) Push Switch CSG1155

S 2006 (A,59,6) Push Switch CSG1155  
S 2007 (A,121,6) Push Switch CSG1155  
S 2008 (A,100,6) Push Switch CSG1155  
S 2009 (A,80,6) Push Switch CSG1155  
S 2010 (A,34,11) Push Switch CSG1155

CN2001 (B,111,12) Connector CKS6526

**RESISTORS**

R 2001 (B,145,6) RS1/10SR101J  
R 2003 (B,158,17) RS1/10SR103J  
R 2004 (B,102,14) RS1/10SR152J  
R 2005 (B,154,15) RS1/10SR680J  
R 2006 (B,153,17) RS1/10SR560J

R 2007 (B,154,18) RS1/10SR0R0J  
R 2008 (B,161,15) RS1/10SR680J  
R 2009 (B,161,17) RS1/10SR560J  
R 2010 (B,161,18) RS1/10SR0R0J  
R 2011 (B,160,13) RS1/10SR103J

R 2012 (B,155,6) RS1/10SR183J  
R 2015 (B,149,14) RS1/10SR103J  
R 2016 (B,151,18) RS1/10SR680J  
R 2017 (B,153,20) RS1/10SR560J  
R 2018 (B,151,22) RS1/10SR0R0J

R 2019 (B,65,9) RS1/10SR152J  
R 2020 (B,69,8) RS1/10SR222J  
R 2021 (B,70,9) RS1/10SR512J

6  
**Part No.**

CKSSYB104K10  
CKSSYB104K10  
CCG1218

CKSSYB103K16  
CKSSYB223K16  
CKSSYB102K50  
CCSSCK2R0C50  
CCSSCJ3R0C50

CCSSCH220J50  
CCSRCH100D50  
CKSSYB104K10  
CKSSYB104K10  
CKSSYB104K10

CKSRYP105K10  
CCG1236  
CCG1192

7  
**Circuit Symbol and No.**

R 2022 (B,69,9)

**CAPACITORS**

C 2002 (B,143,7) 10 uF

**C**

**Unit Number : CWX4332**  
**Unit Name : DVD Core Unit(MS7.1)**

**MISCELLANEOUS**

IC 1004 (B,85,55) IC NJM2885DL1-33  
IC 1005 (B,88,64) IC R1232D121B  
IC 1201 (A,27,16) IC BD8217EFV  
IC 1401 (B,64,35) Flash ROM Unit CWW5655  
IC 1402 (A,86,21) Flash ROM Unit CWW5656

IC 1480 (B,63,14) RAM IC M12L64164A-5TG2Y  
IC 1501 (A,62,21) IC MN2DS0018MA  
IC 1801 (B,44,18) D/A Converter PCM1753DBQ  
IC 1900 (B,38,11) IC S-1200B50-M5  
IC 1901 (B,73,59) Regulator IC S-1133B50-U5

Q 1101 (B,64,52) Transistor LSCR523UB  
Q 1102 (B,68,50) Transistor LSCR523UB  
Q 1103 (B,64,57) Transistor 2SB1132  
Q 1104 (B,64,45) Transistor 2SB1132  
L 1003 (B,83,62) Inductor CTF1757

L 1004 (B,85,71) Inductor CTF1295  
L 1500 (A,45,15) Inductor CTF1387  
L 1512 (A,59,6) Inductor CTF1743  
L 1900 (A,92,71) Inductor CTF1487  
L 1901 (A,84,71) Inductor CTF1558

L 1902 (A,78,68) Inductor CTF1734  
X 1501 (A,45,12) Resonator 27.000 MHz CSS1768  
F 1900 (A,89,72) Chip EMI Filter DTF1106  
F 1901 (A,85,73) Chip EMI Filter DTL1106  
CN1101 (A,42,44) Connector CKS5775

CN1201 (A,25,36) Connector CKS6528  
CN1301 (B,91,13) Connector CKS5705  
CN1901 (A,74,57) Connector CKS6025

**RESISTORS**

R 1101 (B,61,50) RS1/16SS104J  
R 1102 (B,67,52) RS1/16SS104J  
R 1103 (B,67,54) RS1/16SS391J  
R 1104 (B,62,52) RS1/16SS511J  
R 1105 (B,70,49) RS1/16SS4300F

R 1106 (B,69,52) RS1/16SS5600F  
R 1109 (B,68,54) RS1/16SS3R3J  
R 1110 (B,60,49) RS1/16SS3R3J  
R 1111 (B,60,59) RS1/10SR2R2J  
R 1112 (B,60,54) RS1/10SR2R2J

R 1113 (B,70,47) RS1/10SR3R3J  
R 1114 (B,67,44) RS1/10SR3R9J  
R 1115 (B,60,56) RS1/10SR2R2J  
R 1116 (B,60,57) RS1/10SR2R2J  
R 1117 (B,67,46) RS1/10SR3R9J

R 1118 (B,67,47) RS1/10SR3R9J  
R 1200 (A,33,9) RS1/16SS753J

1

**Circuit Symbol and No.**

R 1201 (A,33,8)  
 R 1205 (A,34,22)  
 R 1210 (B,19,18)

A

R 1211 (A,19,13)  
 R 1212 (A,20,12)  
 R 1213 (B,23,21)  
 R 1214 (B,22,20)  
 R 1215 (B,24,21)

■

R 1216 (B,27,21)  
 R 1218 (A,18,12)  
 R 1219 (A,18,13)  
 R 1222 (A,19,9)  
 R 1223 (A,19,8)

B

R 1226 (A,22,28)  
 R 1303 (B,90,22)  
 R 1304 (B,89,23)  
 R 1305 (B,89,24)  
 R 1306 (B,90,24)

■

R 1307 (B,89,22)  
 R 1314 (B,86,23)  
 R 1401 (B,75,32)  
 R 1402 (B,53,31)  
 R 1405 (B,79,14)

C

R 1406 (B,80,11)  
 R 1480 (B,56,22)  
 R 1481 (B,61,23)  
 R 1482 (B,65,22)  
 R 1483 (B,68,22)

■

R 1484 (B,71,22)  
 R 1485 (B,54,6)  
 R 1486 (B,59,6)  
 R 1487 (B,68,6)  
 R 1488 (B,72,6)

D

R 1489 (B,63,6)  
 R 1490 (B,54,22)  
 R 1501 (A,47,11)  
 R 1503 (A,47,13)  
 R 1504 (A,43,15)

■

R 1505 (A,48,15)  
 R 1506 (A,41,16)  
 R 1507 (A,42,17)  
 R 1508 (A,47,17)  
 R 1509 (A,66,39)

E

R 1510 (A,66,36)  
 R 1512 (A,61,6)  
 R 1513 (A,68,44)  
 R 1514 (A,68,38)  
 R 1515 (A,71,39)

■

R 1516 (A,66,42)  
 R 1517 (A,78,17)  
 R 1518 (A,78,25)  
 R 1519 (A,77,29)  
 R 1522 (A,66,41)

F

R 1523 (A,67,39)  
 R 1524 (A,74,43)  
 R 1525 (A,69,38)  
 R 1526 (A,70,40)  
 R 1527 (A,69,36)

R 1528 (A,79,19)  
 R 1529 (A,77,20)

2

**Part No.**

RS1/16SS753J  
 RS1/16SS1R0J  
 RS1/16SS101J

RS1/16SS102J  
 RS1/16SS102J  
 RS1/10SR1R0J  
 RS1/10SR1R0J  
 RS1/10SR1R0J

RS1/10SR1R0J  
 RS1/16SS1R0J  
 RS1/16SS1R0J  
 RS1/16SS1R0J  
 RS1/16SS1R0J

RS1/16SS101J  
 RS1/16SS0R0J  
 RS1/16SS563J  
 RS1/16SS243J  
 RS1/16SS683J

RS1/16SS243J  
 RAB4CQ822J  
 RS1/16SS221J  
 RS1/16SS104J  
 RS1/16SS104J

RS1/16SS472J  
 RAB4CQ560J  
 RAB4CQ560J  
 RAB4CQ560J  
 RAB4CQ560J

RAB4CQ560J  
 RAB4CQ560J  
 RAB4CQ560J  
 RAB4CQ560J  
 RAB4CQ560J

RS1/16SS560J  
 RS1/16SS560J  
 RS1/16SS122J  
 RS1/16SS105J  
 RS1/16SS100J

RS1/16SS101J  
 RS1/16SS101J  
 RS1/16SS101J  
 RS1/16SS221J  
 RS1/16SS102J

RS1/16SS102J  
 RS1/16SS101J  
 RS1/16SS103J  
 RS1/16SS183J  
 RS1/16SS472J

RS1/16SS104J  
 RS1/16SS103J  
 RS1/16SS103J  
 RS1/16SS102J  
 RS1/16SS104J

RS1/16SS221J  
 RS1/16SS472J  
 RS1/16SS223J  
 RS1/16SS103J  
 RS1/16SS223J

RS1/16SS103J  
 RS1/16SS103J

3

**Circuit Symbol and No.**

R 1530 (B,54,28)  
 R 1531 (A,67,41)  
 R 1534 (A,74,39)

R 1535 (A,78,29)  
 R 1536 (A,72,39)  
 R 1537 (A,73,41)  
 R 1538 (A,64,7)  
 R 1539 (A,79,32)

R 1540 (A,73,40)  
 R 1541 (A,75,41)  
 R 1542 (A,76,34)  
 R 1543 (A,70,38)  
 R 1544 (A,77,34)

R 1545 (A,78,21)  
 R 1546 (A,78,23)  
 R 1548 (A,77,30)  
 R 1550 (B,49,27)  
 R 1551 (B,50,26)

R 1556 (A,61,48)  
 R 1600 (A,44,26)  
 R 1601 (A,47,24)  
 R 1602 (A,43,25)  
 R 1603 (A,42,28)

R 1604 (A,54,38)  
 R 1605 (A,54,36)  
 R 1611 (A,47,25)  
 R 1702 (A,48,22)  
 R 1704 (A,42,22)

R 1705 (A,41,19)  
 R 1706 (A,42,20)  
 R 1708 (B,52,23)  
 R 1801 (B,35,13)  
 R 1803 (B,39,21)

R 1804 (B,39,20)  
 R 1805 (B,32,17)  
 R 1806 (B,36,16)  
 R 1905 (A,81,66)  
 R 1910 (A,79,69)

R 1911 (A,69,49)  
 R 1915 (A,64,48)

**CAPACITORS**

C 1008 (B,79,63) 10 uF  
 C 1009 (B,79,64) 10 uF  
 C 1010 (B,79,55)  
 C 1011 (B,78,53)  
 C 1013 (B,84,66) 10 uF

C 1014 (B,83,68) 10 uF  
 C 1101 (B,70,54) 10 uF  
 C 1104 (B,61,53)  
 C 1105 (B,61,49)  
 C 1106 (B,62,60)

C 1107 (B,65,42)  
 C 1108 (A,38,35)  
 C 1109 (A,39,34)  
 C 1110 (A,37,37)  
 C 1111 (A,41,36)

C 1112 (B,60,45)  
 C 1113 (B,68,57)

4

**Part No.**

RS1/16SS104J  
 RS1/16SS391J  
 RS1/16SS221J

RS1/16SS101J  
 RS1/16SS104J  
 RS1/16SS104J  
 RS1/16SS104J  
 RS1/16SS101J

RS1/16SS221J  
 RS1/16SS221J  
 RS1/16SS104J  
 RS1/16SS561J  
 RS1/16SS104J

RS1/16SS103J  
 RS1/16SS103J  
 RS1/16SS101J  
 RS1/16SS6801D  
 RS1/16SS4702D

RS1/16SS472J  
 RS1/16SS0R0J  
 RS1/16SS123J  
 RS1/16SS123J  
 RN1/16SE1002D

RS1/16SS105J  
 RS1/16SS105J  
 RS1/16SS105J  
 RS1/16SS3002D  
 RS1/16SS2402D

RS1/16SS1002D  
 RS1/16SS101J  
 RS1/16SS2000D  
 RS1/10SR0R0J  
 RS1/16SS821J

RS1/16SS821J  
 RS1/16SS104J  
 RS1/16SS104J  
 RS1/16SS101J  
 RS1/16SS101J

RS1/16SS101J  
 RS1/16SS0R0J

DCH1201  
 DCH1201  
 CKSRYB225K10  
 CKSRYB105K10  
 DCH1201

DCH1201  
 CCG1192  
 CKSSYB104K10  
 CKSSYB104K10  
 CKSSYB103K16

CKSSYB103K16  
 CKSSYB103K16  
 CKSRYB224K16  
 CKSSYB103K16  
 CKSRYB224K16

CKSYB226K6R3  
 CKSYB226K6R3

5		6		7		8	
<u>Circuit Symbol and No.</u>		<u>Part No.</u>		<u>Circuit Symbol and No.</u>		<u>Part No.</u>	
C 1201	(B,28,17)	CKSYB475K16		C 1606	(A,40,29)	CKSSYB104K10	
C 1202	(B,28,20)	CKSSYB104K16		C 1607	(A,50,38)	CKSQYB106K6R3	
C 1205	(A,33,23)	CKSSYB103K16		C 1608	(A,47,33)	CKSRYB105K10	
C 1206	(A,36,23)	CKSRYB104K16		C 1609	(A,54,40)	CKSSYB104K10	A
C 1207	(A,33,20)	CKSRYB104K16		C 1610	(A,55,38)	CKSSYB104K10	
C 1208	(A,33,15)	CKSSYB104K16		C 1611	(A,55,36)	CKSSYB104K10	
C 1212	(A,32,25)	CKSSYB104K16		C 1612	(A,55,40)	CKSSYB104K10	
C 1213	(B,22,26)	CKSSYB222K50		C 1613	(A,56,40)	CKSSYB104K10	
C 1214	(B,22,28)	CKSRYB104K16		C 1614	(A,57,40)	CKSSYB104K10	
C 1218	(A,19,10)	CKSRYB104K16		C 1615	(A,57,38)	CKSSYB104K10	
C 1219	(A,21,9)	CKSRYB104K16		C 1616	(A,57,36)	CKSSYB104K10	
C 1220	(B,23,13)	CEVW101M16		C 1617	(A,58,36)	CKSSYB104K10	
C 1401	(B,76,32)	CKSSYB103K16		C 1618	(A,60,38)	CCSSCH101J50	
C 1403	(B,53,34)	CKSSYB104K10		C 1619	(A,59,36)	CKSSYB562K25	B
C 1404	(B,51,37)	CKSQYB475K6R3		C 1620	(A,60,36)	CKSSYB224K6R3	
C 1408	(B,82,14)	CKSSYB104K10		C 1621	(A,61,38)	CKSSYB224K6R3	
C 1409	(B,79,15)	CKSQYB475K6R3		C 1622	(A,62,38)	CKSSYB333K16	
C 1480	(B,51,20)	CKSSYB104K10		C 1623	(A,48,33)	CKSRYB105K10	
C 1481	(B,51,21)	CKSSYB104K10		C 1624	(A,61,40)	CKSSYB104K10	
C 1482	(B,59,21)	CKSSYB104K10		C 1625	(A,60,40)	CKSSYB104K10	
C 1484	(B,63,21)	CKSSYB104K10		C 1628	(A,47,26)	CKSSYB103K16	
C 1485	(B,74,22)	CKSSYB104K10		C 1700	(A,48,21)	CKSSYB104K10	
C 1487	(B,62,6)	CKSSYB104K10		C 1701	(A,47,19)	CKSSYB104K10	
C 1488	(B,57,6)	CKSSYB104K10		C 1702	(A,41,23)	CKSRYB105K10	
C 1489	(B,75,18)	CKSQYB106K6R3		C 1703	(A,44,22)	CKSSYB104K10	C
C 1501	(B,47,31)	CKSQYB106K6R3		C 1704	(A,40,22)	CKSSYB104K10	
C 1502	(B,83,20)	CKSQYB106K6R3		C 1801	(A,82,50)	CKSSYB104K10	
C 1503	(A,63,6)	CKSSYB104K10		C 1802	(B,50,16) 10 uF	CCG1192	
C 1504	(A,53,7)	CKSSYB104K10		C 1805	(B,38,15)	CKSSYB104K10	
C 1505	(A,56,7)	CKSSYB104K10		C 1808	(B,32,19)	CCSRCH182J50	
C 1506	(A,58,7)	CKSSYB104K10		C 1809	(B,35,19)	CCSRCH182J50	
C 1507	(A,65,7)	CKSSYB104K10		C 1810	(B,33,18)	CKSQYB475K6R3	
C 1508	(A,69,7)	CKSSYB104K10		C 1811	(B,36,18)	CKSQYB475K6R3	
C 1509	(A,71,7)	CKSSYB104K10		C 1901	(B,35,10)	CKSRYB105K10	
C 1510	(A,47,9)	CCSSCH120J50		C 1902	(B,39,8)	CKSRYB105K16	
C 1511	(A,48,11)	CKSSYB104K10		C 1903	(B,33,7)	CKSSYB104K10	D
C 1512	(A,45,14)	CCSSCH100D50		C 1904	(A,70,46)	CCSSCH101J50	
C 1513	(B,76,12)	CKSSYB104K10		C 1905	(A,86,70)	CKSSYB102K50	
C 1514	(A,48,14)	CKSSYB104K10		C 1906	(B,75,63)	CKSSYB104K16	
C 1515	(A,48,17)	CKSSYB104K10		C 1907	(B,70,58) 4.7 uF	CCG1201	
C 1516	(B,76,15)	CKSSYB104K10		C 1908	(A,90,70)	CKSSYB102K50	
C 1517	(A,77,18)	CKSSYB104K10					
C 1518	(B,77,23)	CKSSYB104K10					
C 1519	(A,77,28)	CKSSYB104K10					
C 1520	(A,78,32)	CKSSYB104K10					
C 1521	(A,62,36)	CKSSYB104K10					
C 1522	(A,68,36)	CKSSYB104K10					
C 1523	(A,70,36)	CKSSYB471K50					
C 1524	(A,68,40)	CKSSYB473K16					
C 1525	(A,69,40)	CKSSYB103K16					
C 1526	(A,67,37)	CKSSYB103K16					
C 1528	(A,72,38)	CCSSCH471J50					
C 1529	(A,69,42)	CKSSYB103K16					
C 1530	(B,50,27)	CKSSYB104K10					
C 1531	(A,71,41)	CKSSYB473K16					
C 1601	(A,44,28)	CKSSYB103K16					
C 1602	(A,48,23)	CCSSCH101J50					
C 1603	(A,43,24)	CCSSCH101J50					
C 1604	(A,45,24)	CCSSCH680J50					
C 1605	(A,41,25)	CCSSCH680J50					

## D

**Unit Number : CWX4034**  
**Unit Name : Compound Unit(A)**

### MISCELLANEOUS

S 1201	Spring Switch(12cm)	CSN1080
S 1202	Spring Switch(8cm)	CSN1080
S 1203	Spring Switch(DISC SENS)	CSN1082
S 1204	Spring Switch(DISC SENS)	CSN1083
S 1205	Spring Switch(8cm)	CSN1081

## E

**Unit Number : CWX3394**  
**Unit Name : Compound Unit(B)**

**Circuit Symbol and No.**

**Part No.**

**Circuit Symbol and No.**

**Part No.**

**MISCELLANEOUS**

S 1206 Spring Switch(CLAMP) CSN1080

L 242 (A,79,60) Inductor CTF1786  
 L 243 (A,70,77) Inductor CTF1545  
 L 246 (A,39,48) Chip Beads VTL1126  
 L 248 (A,37,71) Chip Beads VTL1126  
 L 249 (A,39,70) Chip Beads VTL1126  
 L 250 (A,37,70) Chip Beads VTL1126  
 L 251 (A,38,63) Chip Beads VTL1126  
 L 252 (A,36,62) Chip Beads VTL1126  
 L 253 (A,38,61) Chip Beads VTL1126

L 254 (A,36,61) Chip Beads VTL1126  
 L 255 (A,38,60) Chip Beads VTL1126  
 L 256 (A,36,60) Chip Beads VTL1126  
 L 257 (A,38,58) Chip Beads VTL1126  
 L 258 (A,36,58) Chip Beads VTL1126

L 259 (A,38,57) Chip Beads VTL1126  
 L 260 (A,38,56) Chip Beads VTL1126  
 L 261 (A,36,56) Chip Beads VTL1126  
 L 262 (A,38,55) Chip Beads VTL1126  
 L 263 (A,38,53) Chip Beads VTL1126

L 264 (A,38,52) Chip Beads VTL1126  
 L 265 (A,40,51) Chip Beads VTL1126  
 L 267 (A,43,46) Ferrite Bead CTF1528  
 L 381 (A,62,35) Inductor CTF1786  
 L 382 (A,77,74) Inductor CTF1645

L 401 (A,89,92) Inductor CTF1786  
 L 431 (A,98,26) Inductor CTF1786  
 L 451 (A,40,79) Inductor CTF1680  
 L 553 (A,123,77) Inductor CTH1571  
 L 554 (A,115,81) Inductor CTF1545

L 555 (A,115,62) Inductor CTF1629  
 L 601 (A,23,69) Choke Coil 22 uH CTH1426  
 TH101 (A,121,23) Thermistor CCX1058  
 X 231 (A,57,82) Resonator 48.000 MHz CSS1760  
 X 232 (A,67,82) Crystal Resonator 13.333 33 MHz CSS1840

X 233 (A,39,66) Resonator 16.93 MHz CSS1794  
 X 451 (A,45,82) Crystal Resonator 32.000 MHz CSS1818  
 CN101 (A,105,53) Connector CKS6467  
 CN111 (A,35,32) Connector CKS6536  
 CN201 (A,129,33) Connector CKS6548

CN551 (A,130,89) Connector CKS4428

**RESISTORS**

R 111 (A,17,26) RS1/16SS473J  
 R 112 (A,16,29) RS1/16SS473J  
 R 114 (A,16,25) RS1/16SS473J  
 R 115 (A,17,28) RS1/16SS473J  
 R 117 (A,88,63) RS1/16SS473J  
 R 118 (A,38,49) RS1/16SS473J  
 R 121 (A,21,50) RS1/16SS39R0D  
 R 122 (A,23,50) RS1/16SS2R2J  
 R 123 (A,25,49) RS1/16SS1300D  
 R 124 (A,27,51) RS1/16SS47R0D  
 R 125 (A,28,50) RS1/16SS51R0D  
 R 126 (A,29,51) RS1/16SS0R0J  
 R 127 (A,30,50) RS1/16SS39R0D  
 R 128 (A,31,50) RS1/16SS1R2J  
 R 129 (A,30,49) RS1/16SS75R0D  
 R 130 (A,31,48) RS1/16SS1R5J  
 R 131 (A,29,47) RS1/16SS1300D

IC 171 (A,17,87) Regulator IC MM3526A33P  
 IC 173 (A,80,106) Regulator IC BD00IA5WEFJ  
 IC 175 (A,55,92) Regulator IC MM1856A15N  
 IC 201 (A,133,51) IC AK4187VN  
 IC 231 (A,110,65) Regulator IC MM1856A50N

IC 232 (A,29,108) IC BH7673G  
 IC 233 (A,45,108) IC BH7673G  
 IC 234 (A,37,108) IC BH7673G  
 IC 235 (A,21,108) IC BH7673G  
 IC 236 (A,62,59) IC R5S72690RW266FP

IC 237 (A,42,48) IC TC7SZ34FU  
 IC 381 (A,75,25) RAM IC M12L128168A-5TG2N  
 IC 401 (A,87,84) Flash ROM Unit(Service) (A,D)C XX5303  
 (A,87,84) Flash ROM Unit(Service) (B,C,E,F) CXX5302  
 IC 402 (A,57,31) IC MX25L8006EM2I-12G  
 IC 421 (A,75,85) IC 337S3959

IC 431 (A,102,17) IC WM8761BGED  
 IC 451 (A,33,87) IC ML86V7675TBZA3A  
 IC 551 (A,110,82) IC BD81A04EFV-M  
 IC 601 (A,17,65) IC R1290K103A  
 Q 111 (A,12,31) Transistor LSAR523UB

Q 112 (A,10,35) Transistor LSCR523UB  
 Q 231 (A,27,103) Transistor LSCR523UB  
 Q 232 (A,42,103) Transistor LSCR523UB  
 Q 233 (A,34,103) Transistor LSCR523UB  
 Q 234 (A,19,103) Transistor LSCR523UB

Q 421 (A,74,90) Transistor LSAR523UB  
 Q 601 (A,13,59) Transistor LTC014EEB  
 Q 602 (A,26,63) Transistor 2SA1577  
 D 201 (A,130,40) Diode DZ2S068C  
 D 202 (A,128,40) Diode DZ2S068C

D 203 (A,131,40) Diode DZ2S068C  
 D 204 (A,127,40) Diode DZ2S068C  
 D 551 (A,122,83) Diode DB2X41400  
 D 601 (A,16,56) Diode DB3S308F0  
 D 602 (A,25,58) Diode DB3S308F0

D 603 (A,25,55) Diode DB3S308F0  
 D 604 (A,22,73) Diode RB162M-40  
 L 111 (A,23,46) Chip Ferrite Bead BTX1042  
 L 112 (A,18,43) Inductor DTL1096  
 L 113 (A,21,43) Inductor DTL1096

L 114 (A,15,45) Inductor CTF1635  
 L 115 (A,10,40) Inductor LCTAW101J2520  
 L 236 (A,30,103) Inductor CTF1545  
 L 237 (A,46,103) Inductor CTF1545  
 L 238 (A,38,103) Inductor CTF1545

L 239 (A,22,103) Inductor CTF1545

**F**

**Unit Number : CWN7351(A,D)**

**Unit Number : CWN7350(B,C,E,F)**

**Unit Name : Monitor Unit**

**MISCELLANEOUS**

5		6		7		8	
<u>Circuit Symbol and No.</u>		<u>Part No.</u>		<u>Circuit Symbol and No.</u>		<u>Part No.</u>	
R 132	(A,30,46)	RS1/16SS75R0D		R 259	(A,81,50)	RS1/16SS472J	
R 133	(A,29,45)	RS1/16SS82R0D		R 260	(A,81,51)	RS1/16SS472J	
R 134	(A,30,44)	RS1/16SS200J		R 262	(A,83,53)	RS1/16SS104J	
R 135	(A,29,43)	RS1/16SS47R0D		R 263	(A,79,57)	RS1/16SS104J	A
R 136	(A,30,43)	RS1/16SS0R0J		R 264	(A,81,70)	RS1/16SS104J	
R 137	(A,30,42)	RS1/16SS56R0D		R 265	(A,80,71)	RS1/16SS104J	
R 138	(A,31,41)	RS1/16SS0R0J		R 266	(A,83,68)	RS1/16SS473J	
R 139	(A,29,41)	RS1/16SS1800D		R 267	(A,77,76)	RS1/16SS104J	
R 140	(A,28,40)	RS1/16SS0R0J		R 268	(A,55,76)	RS1/16SS2402F	
R 141	(A,28,38)	RS1/16SS82R0D		R 269	(A,57,79)	RS1/16SS681J	
R 142	(A,30,39)	RS1/16SS0R0J		R 270	(A,57,86)	RS1/16SS5601F	
R 144	(A,11,29)	RS1/16SS153J		R 271	(A,67,78)	RS1/16SS222J	
R 146	(A,9,30)	RS1/16SS105J		R 272	(A,71,79)	RS1/16SS473J	
R 148	(A,11,33)	RS1/16SS153J		R 273	(A,72,76)	RS1/16SS473J	
R 149	(A,13,35)	RS1/16SS472J		R 274	(A,59,85)	RS1/16SS103J	B
R 150	(A,14,33)	RS1/16SS101J		R 275	(A,59,87)	RS1/16SS101J	
R 151	(A,9,33)	RS1/16SS273J		R 276	(A,79,83)	RS1/16SS183J	
R 152	(A,13,33)	RS1/16SS334J		R 277	(A,71,87)	RS1/16SS473J	
R 172	(A,13,90)	RS1/10SR0R0J		R 279	(A,81,77)	RS1/16SS103J	
R 173	(A,13,84)	RS1/16SS0R0J		R 280	(A,75,77)	RS1/16SS273J	
R 174	(A,21,91)	RS1/10SR0R0J		R 281	(A,83,63)	RS1/16SS104J	
R 176	(A,107,100)	RS1/10SR0R0J		R 282	(A,78,74)	RS1/16SS0R0J	
R 178	(A,75,107)	RS1/16SS472J		R 283	(A,61,39)	RS1/16SS473J	
R 179	(A,74,108)	RS1/16SS223J		R 284	(A,88,64)	RS1/16SS0R0J	
R 180	(A,76,105)	RS1/16SS473J		R 285	(A,42,67)	RS1/16SS152J	C
R 182	(A,57,103)	RS1/10SR0R0J		R 286	(A,44,73)	RS1/16SS102J	
R 183	(A,58,91)	RS1/16SS102J		R 287	(A,28,69)	RAB4CQ473J	
R 201	(A,126,49)	RS1/10SR0R0J		R 288	(A,84,61)	RS1/16SS0R0J	
R 202	(A,130,49)	RS1/16SS201J		R 290	(A,86,61)	RS1/16SS0R0J	
R 204	(A,137,54)	RS1/16SS472J		R 291	(A,88,65)	RS1/16SS0R0J	
R 205	(A,137,51)	RS1/16SS472J		R 294	(A,85,64)	RS1/16SS0R0J	
R 206	(A,130,43)	RS1/16SS0R0J		R 295	(A,86,67)	RS1/16SS0R0J	
R 207	(A,132,48)	RS1/16SS621J		R 296	(A,46,44)	RS1/16SS101J	
R 208	(A,134,48)	RS1/16SS181J		R 297	(A,45,44)	RS1/16SS101J	
R 209	(A,137,53)	RS1/16SS0R0J		R 298	(A,38,46)	RS1/16SS181J	
R 210	(A,134,47)	RS1/16SS0R0J		R 299	(A,54,76)	RS1/16SS473J	D
R 211	(A,137,52)	RS1/16SS0R0J		R 300	(A,53,78)	RS1/16SS473J	
R 212	(A,136,50)	RS1/16SS620J		R 301	(A,41,71)	RS1/16SS181J	
R 213	(A,130,54)	RS1/16SS0R0J		R 302	(A,51,78)	RS1/16SS473J	
R 232	(A,107,71)	RS1/16SS0R0J		R 303	(A,42,70)	RS1/16SS181J	
R 235	(A,32,113)	RS1/16SS750J		R 304	(A,51,76)	RS1/16SS473J	
R 236	(A,48,111)	RS1/16SS750J		R 305	(A,47,76)	RS1/16SS473J	
R 237	(A,40,112)	RS1/16SS750J		R 306	(A,41,70)	RS1/16SS181J	
R 238	(A,21,113)	RS1/16SS750J		R 307	(A,41,63)	RS1/16SS181J	
R 239	(A,27,105)	RS1/16SS101J		R 308	(A,52,76)	RS1/16SS473J	
R 240	(A,43,105)	RS1/16SS101J		R 309	(A,39,62)	RS1/16SS181J	
R 241	(A,34,105)	RS1/16SS101J		R 310	(A,41,61)	RS1/16SS181J	E
R 242	(A,20,105)	RS1/16SS101J		R 311	(A,45,48)	RS1/16SS0R0J	
R 243	(A,33,107)	RS1/10SR0R0J		R 312	(A,66,77)	RS1/16SS0R0J	
R 244	(A,70,88)	RS1/16SS104J		R 313	(A,39,61)	RS1/16SS181J	
R 245	(A,75,76)	RS1/16SS102J		R 316	(A,41,60)	RS1/16SS181J	
R 246	(A,73,79)	RS1/16SS0R0J		R 317	(A,39,60)	RS1/16SS181J	
R 247	(A,74,79)	RS1/16SS0R0J		R 319	(A,41,58)	RS1/16SS181J	
R 249	(A,53,42)	RS1/16SS273J		R 321	(A,39,58)	RS1/16SS181J	
R 250	(A,82,61)	RS1/16SS0R0J		R 323	(A,41,57)	RS1/16SS181J	
R 251	(A,78,44)	RS1/16SS104J		R 325	(A,41,56)	RS1/16SS181J	
R 255	(A,81,47)	RS1/16SS472J		R 327	(A,39,56)	RS1/16SS181J	F
R 256	(A,79,47)	RS1/16SS472J		R 329	(A,41,55)	RS1/16SS181J	
R 257	(A,82,47)	RS1/16SS472J		R 331	(A,39,54)	RS1/16SS181J	
R 258	(A,81,48)	RS1/16SS472J		R 333	(A,41,54)	RS1/16SS181J	

1

**Circuit Symbol and No.**

R 335 (A,41,53)  
 R 339 (A,79,55)  
 R 341 (A,67,42)

A

R 342 (A,78,77)  
 R 344 (A,45,42)  
 R 345 (A,49,41)  
 R 346 (A,43,52)  
 R 381 (A,67,14)

R 382 (A,72,14)  
 R 383 (A,77,16)  
 R 384 (A,80,16)  
 R 385 (A,83,16)  
 R 386 (A,76,33)

B

R 387 (A,70,36)  
 R 388 (A,74,36)  
 R 389 (A,82,34)  
 R 390 (A,84,33)  
 R 391 (A,79,33)

R 393 (A,78,33)  
 R 401 (A,79,66)  
 R 402 (A,83,69)  
 R 403 (A,81,68)  
 R 404 (A,83,74)

C

R 405 (A,81,89)  
 R 406 (A,91,92)  
 R 409 (A,53,28)  
 R 410 (A,59,37)  
 R 411 (A,57,36)

R 412 (A,53,29)  
 R 413 (A,60,35)  
 R 421 (A,76,83)  
 R 422 (A,78,87)  
 R 423 (A,75,83)

D

R 424 (A,72,87)  
 R 425 (A,77,83)  
 R 426 (A,74,83)  
 R 427 (A,78,83)  
 R 431 (A,104,23)

R 432 (A,102,23)  
 R 451 (A,46,88)  
 R 452 (A,43,93)  
 R 453 (A,50,90)  
 R 454 (A,44,88)

E

R 455 (A,25,86)  
 R 456 (A,45,86)  
 R 457 (A,43,86)  
 R 458 (A,23,86)  
 R 459 (A,41,83)

R 460 (A,42,84)  
 R 461 (A,35,79)  
 R 462 (A,34,77)  
 R 463 (A,33,79)  
 R 464 (A,33,77)

F

R 465 (A,32,79)  
 R 466 (A,32,77)  
 R 467 (A,31,79)  
 R 468 (A,30,77)  
 R 469 (A,30,79)

R 470 (A,29,77)  
 R 471 (A,29,79)

2

**Part No.**

RS1/16SS181J  
 RS1/16SS101J  
 RS1/16SS222J

RS1/16SS0R0J  
 RS1/16SS0R0J  
 RS1/16SS0R0J  
 RS1/16SS0R0J  
 RAB4CQ221J

RAB4CQ221J  
 RAB4CQ471J  
 RAB4CQ471J  
 RAB4CQ471J  
 RS1/16SS471J

RAB4CQ221J  
 RAB4CQ221J  
 RAB4CQ471J  
 RAB4CQ471J  
 RS1/16SS471J

RS1/16SS221J  
 RS1/16SS220J  
 RS1/16SS470J  
 RS1/16SS470J  
 RS1/16SS470J

RS1/16SS470J  
 RS1/16SS470J  
 RS1/16SS0R0J  
 RS1/16SS101J  
 RS1/16SS101J

RS1/16SS0R0J  
 RS1/16SS0R0J  
 RS1/16SS222J  
 RS1/16SS183J  
 RS1/16SS222J

RS1/16SS472J  
 RS1/16SS101J  
 RS1/16SS101J  
 RS1/16SS221J  
 RS1/16SS821J

RS1/16SS821J  
 RS1/16SS222J  
 RS1/16SS750J  
 RS1/10SR0R0J  
 RS1/16SS472J

RS1/16SS473J  
 RS1/16SS101J  
 RS1/16SS101J  
 RS1/16SS561J  
 RS1/16SS105J

RS1/16SS821J  
 RS1/16SS221J  
 RS1/16SS221J  
 RS1/16SS221J  
 RS1/16SS221J

RS1/16SS221J  
 RS1/16SS221J  
 RS1/16SS221J  
 RS1/16SS221J  
 RS1/16SS151J

RS1/16SS181J  
 RS1/16SS561J

3

**Circuit Symbol and No.**

R 472 (A,41,81)  
 R 473 (A,41,79)  
 R 474 (A,37,79)

R 475 (A,45,88)  
 R 476 (A,50,88)  
 R 477 (A,46,101)  
 R 480 (A,45,94)  
 R 481 (A,28,98)

R 482 (A,33,99)  
 R 483 (A,44,96)  
 R 484 (A,37,99)  
 R 485 (A,40,97)  
 R 553 (A,104,81)

R 554 (A,104,80)  
 R 555 (A,104,84)  
 R 556 (A,104,85)  
 R 558 (A,115,79)  
 R 561 (A,116,79)

R 564 (A,115,77)  
 R 565 (A,115,78)  
 R 604 (A,20,61)  
 R 605 (A,16,59)  
 R 606 (A,12,61)

R 607 (A,12,60)  
 R 608 (A,12,56)  
 R 609 (A,15,71)  
 R 610 (A,17,59)  
 R 611 (A,16,61)

R 612 (A,11,67)  
 R 613 (A,10,65)  
 R 614 (A,24,66)  
 R 615 (A,13,62)  
 R 616 (A,19,59)

R 617 (A,19,61)  
 R 618 (A,20,68)  
 R 619 (A,14,74)  
 R 620 (A,13,71)  
 R 621 (A,14,61)

R 622 (A,12,69)  
 R 623 (A,14,71)  
 R 624 (A,13,69)  
 R 625 (A,117,83)

**CAPACITORS**

C 101 (A,121,24)  
 C 102 (A,136,113)  
 C 103 (A,111,58)  
 C 111 (A,30,37)  
 C 113 (A,25,52)

C 115 (A,28,52)  
 C 117 (A,31,52)  
 C 119 (A,33,51)  
 C 121 (A,33,48)  
 C 123 (A,32,46)

C 125 (A,32,43)  
 C 127 (A,32,42)  
 C 129 (A,32,39)  
 C 131 (A,33,37) 1 uF  
 C 133 (A,23,39)

4

**Part No.**

RS1/16SS473J  
 RS1/16SS101J  
 RS1/16SS220J

RS1/16SS222J  
 RS1/10SR0R0J  
 RS1/10SR0R0J  
 RS1/16SS0R0J  
 RS1/16SS750J

RS1/16SS750J  
 RS1/10SR0R0J  
 RS1/16SS750J  
 RS1/16SS750J  
 RS1/16SS104J

RS1/16SS154J  
 RS1/16SS183J  
 RS1/16SS511J  
 RS1/16SS3302D  
 RS1/16SS2202D

RS1/16SS1203D  
 RS1/16SS1602D  
 RS1/16SS0R0J  
 RS1/16SS3901D  
 RS1/16SS1502D

RS1/16SS1502D  
 RS1/16SS0R0J  
 RS1/16SS103J  
 RS1/16SS3603D  
 RS1/16SS6802D

RS1/16SS203J  
 RS1/16SS104J  
 RS1/16SS103J  
 RS1/16SS472J  
 RS1/16SS1103D

RS1/16SS1002D  
 RS1/16SS2R2J  
 RS1/10SR0R0J  
 RS1/16SS3303D  
 RS1/16SS8201D

RS1/16SS3902D  
 RS1/16SS472J  
 RS1/16SS5601D  
 RS1/16SS2R2J

CKSSYB104K10  
 CKSRYB105K10  
 CKSSYB104K10  
 CKSSYB104K16  
 CKSYB475K16

CKSSYB104K16  
 CKSSYB104K16  
 CKSSYB104K16  
 CKSRYB105K10  
 CKSRYB105K10

CKSSYB104K10  
 CKSSYB104K10  
 CKSSYB104K10  
 DCH1246  
 CKSRYB104K50

5		6		7		8	
<u>Circuit Symbol and No.</u>		<u>Part No.</u>		<u>Circuit Symbol and No.</u>		<u>Part No.</u>	
C 134	(A,24,43)	CKSQYB334K50		C 266	(A,82,50)	CKSSYB104K16	
C 135	(A,23,48)	CKSSYB103K25		C 267	(A,79,50)	CKSSYB104K16	
C 137	(A,18,37)	CKSSYB104K16		C 268	(A,79,53)	CKSSYB104K16	
C 138	(A,17,40) 4.7 uF	CCG1201		C 269	(A,82,54)	CKSSYB104K16	A
C 140	(A,17,46)	CKSQYB225K16		C 270	(A,80,58)	CKSSYB104K16	
C 142	(A,20,37)	CKSSYB102K50		C 271	(A,79,59)	CKSSYB104K16	
C 143	(A,20,38)	CKSSYB104K10		C 272	(A,79,61)	CKSSYB104K16	
C 144	(A,20,41) 10 uF	CCG1234		C 273	(A,79,63)	CKSSYB104K16	
C 146	(A,14,36)	CKSSYB102K50		C 274	(A,82,66)	CKSSYB104K16	
C 148	(A,14,38)	CKSSYB104K16		C 275	(A,79,67)	CKSSYB104K16	
C 150	(A,13,42) 10 uF	CCG1236		C 276	(A,79,69)	CKSSYB104K16	
C 151	(A,13,47)	CKSSYB102K50		C 277	(A,79,71)	CKSSYB104K16	
C 153	(A,9,29)	CKSSYB104K16		C 278	(A,78,73)	CKSSYB104K16	
C 154	(A,11,37) 10 uF	CCG1236		C 279	(A,48,76)	CKSSYB104K16	
C 155	(A,49,37)	CKSSYB102K50		C 280	(A,50,76)	CKSSYB104K16	B
C 156	(A,31,37)	CKSSYB102K50		C 281	(A,56,77)	CKSSYB104K16	
C 171	(A,16,91) 4.7 uF	CCG1201		C 282	(A,57,76)	CKSSYB104K16	
C 172	(A,19,91) 4.7 uF	CCG1201		C 283	(A,60,76)	CKSSYB104K16	
C 176	(A,75,109)	CKSRYB105K10		C 284	(A,59,78)	CKSSYB104K16	
C 177	(A,85,107)	CKSRYB105K10		C 285	(A,61,80)	CKSSYB104K16	
C 181	(A,53,89)	CKSRYB105K10		C 286	(A,61,76)	CKSSYB104K16	
C 182	(A,59,91)	CKSRYB105K10		C 287	(A,65,79)	CKSSYB104K16	
C 183	(A,15,83)	CKSSYB153K16		C 288	(A,68,76)	CKSSYB104K16	
C 201	(A,128,52) 10 uF	CCG1192		C 289	(A,70,76)	CKSSYB104K16	
C 202	(A,134,56) 10 uF	CCG1192		C 290	(A,72,77)	CKSSYB104K16	
C 203	(A,130,51)	CKSSYB104K10		C 291	(A,59,86)	CKSSYB105K6R3	C
C 204	(A,133,54)	CKSSYB104K10		C 292	(A,55,83)	CCSSCH8R0D50	
C 205	(A,132,39)	CKSSYB103K16		C 293	(A,59,81)	CCSSCH100D50	
C 206	(A,128,42)	CKSSYB103K16		C 294	(A,66,80)	CCSSCH120J50	
C 207	(A,126,39)	CKSSYB103K16		C 295	(A,70,82)	CCSSCH120J50	
C 208	(A,131,42)	CKSSYB103K16		C 296	(A,45,49)	CKSSYB104K16	
C 231	(A,14,102) 10 uF	CCG1192		C 297	(A,44,51)	CKSSYB104K16	
C 232	(A,113,65)	CKSRYB105K16		C 298	(A,44,52)	CKSSYB104K16	
C 233	(A,107,65)	CKSRYB105K16		C 299	(A,44,54)	CKSSYB104K16	
C 236	(A,28,111)	CKSRYB105K10		C 300	(A,44,56)	CKSSYB104K16	
C 237	(A,30,111)	CKSRYB105K10		C 301	(A,44,59)	CKSSYB104K16	D
C 238	(A,44,111)	CKSRYB105K10		C 302	(A,44,60)	CKSSYB104K16	
C 239	(A,46,111)	CKSRYB105K10		C 303	(A,45,62)	CKSSYB104K16	
C 240	(A,36,111)	CKSRYB105K10		C 304	(A,45,65)	CKSSYB104K16	
C 241	(A,38,111)	CKSRYB105K10		C 305	(A,42,65)	CCSSCH120J50	
C 242	(A,20,111)	CKSRYB105K10		C 306	(A,45,67)	CKSSYB104K16	
C 243	(A,22,111)	CKSRYB105K10		C 307	(A,40,68)	CCSSCH120J50	
C 244	(A,29,105)	CKSSYB104K10		C 308	(A,45,70)	CKSSYB104K16	
C 245	(A,45,105)	CKSSYB104K10		C 309	(A,72,107)	CKSSYB103K16	
C 246	(A,37,105)	CKSSYB104K10		C 310	(A,73,101)	CKSSYB103K16	
C 247	(A,22,105)	CKSSYB104K10		C 311	(A,73,105) 10 uF	CCG1192	
C 248	(A,29,104)	CKSSYB104K10		C 312	(A,72,101) 10 uF	CCG1192	E
C 249	(A,44,104)	CKSSYB104K10		C 315	(A,65,76) 1 uF	DCH1246	
C 250	(A,37,104)	CKSSYB104K10		C 317	(A,81,56)	CKSRYB224K16	
C 251	(A,21,103)	CKSSYB104K10		C 319	(A,42,46)	CKSSYB103K16	
C 256	(A,50,43)	CKSSYB104K16		C 320	(A,81,80)	CCSSCH101J50	
C 257	(A,55,43)	CKSSYB104K16		C 321	(A,14,103)	CKSSYB102K50	
C 258	(A,58,43)	CKSSYB104K16		C 322	(A,70,101)	CCSRCH102J50	
C 259	(A,60,42)	CKSSYB104K16		C 323	(A,70,104)	CCSRCH102J50	
C 260	(A,62,42)	CKSSYB104K16		C 324	(A,69,101)	CCSRCH331J50	
C 261	(A,65,42)	CKSSYB104K16		C 325	(A,69,104)	CCSRCH331J50	
C 262	(A,68,42)	CKSSYB104K16		C 381	(A,64,16)	CKSSYB104K10	F
C 263	(A,73,41)	CKSSYB104K16		C 382	(A,67,17)	CKSSYB104K10	
C 264	(A,81,60)	CCSSCH470J50		C 383	(A,71,17)	CKSSYB104K10	
C 265	(A,79,46)	CKSSYB104K16		C 384	(A,75,16)	CKSSYB104K10	
				C 385	(A,85,16)	CKSSYB104K10	

	1	2
	<u>Circuit Symbol and No.</u>	<u>Part No.</u>
A	C 386 (A,68,33)	CKSSYB104K10
	C 387 (A,73,33)	CKSSYB104K10
	C 401 (A,89,90)	CKSSYB104K10
	C 402 (A,54,36)	CKSSYB104K10
	C 421 (A,78,86)	CKSSYB104K10
	C 422 (A,78,85)	CKSSYB102K50
	C 432 (A,108,20) 10 uF	CCG1192
	C 433 (A,99,22)	CKSSYB104K10
	C 435 (A,103,26)	CKSSYB182K50
	C 436 (A,102,25)	CKSSYB182K50
	C 451 (A,34,96)	CKSSYB474K6R3
	C 452 (A,33,96)	CKSSYB474K6R3
	C 453 (A,33,95)	CKSSYB474K6R3
B	C 454 (A,36,96)	CKSSYB103K16
	C 455 (A,36,95)	CCSSCH102J50
	C 456 (A,35,95)	CKSSYB103K25
	C 457 (A,42,96) 10 uF	CCG1192
	C 458 (A,40,93)	CCSSCH102J50
	C 459 (A,25,92)	CKSSYB104K10
	C 460 (A,41,93)	CKSSYB103K16
	C 461 (A,25,90)	CKSSYB104K10
	C 462 (A,42,91)	CKSRYB105K10
	C 463 (A,48,89) 10 uF	CCG1192
	C 464 (A,41,90)	CKSSYB104K10
C	C 465 (A,42,88)	CKSSYB104K10
	C 466 (A,25,88)	CKSSYB104K10
	C 467 (A,42,86)	CKSSYB104K10
	C 468 (A,25,85)	CKSSYB104K10
	C 469 (A,25,83)	CKSSYB104K10
	C 470 (A,44,80)	CCSSCH5R0C50
	C 471 (A,46,84)	CCSSCH6R0D50
	C 472 (A,51,87) 10 uF	CCG1192
	C 473 (A,37,77)	CKSSYB104K10
	C 474 (A,35,77)	CKSSYB104K10
	C 475 (A,40,81)	CKSSYB103K16
D	C 476 (A,42,100) 10 uF	CCG1192
	C 478 (A,32,100)	CKSRYB105K10
	C 479 (A,29,96)	CKSRYB105K10
	C 480 (A,30,95)	CKSSYB103K16
	C 481 (A,30,96)	CCSSCH102J50
	C 482 (A,35,98)	CKSRYB105K10
	C 483 (A,38,96)	CKSRYB105K10
	C 486 (A,26,98)	CKSSYB104K10
	C 487 (A,26,97) 1 uF	DCH1246
	C 488 (A,30,97)	CKSSYB103K16
E	C 551 (A,107,88) 10 uF	CCG1236
	C 552 (A,103,85)	CKSSYB104K10
	C 553 (A,104,86)	CKSSYB104K10
	C 554 (A,118,63) 10 uF	CCG1236
	C 555 (A,127,70) 10 uF	CCG1236
	C 556 (A,116,84) 2.2 uF	CCG1218
	C 557 (A,127,72) 10 uF	CCG1236
	C 558 (A,120,85) 10 uF	CCG1236
	C 559 (A,120,87) 10 uF	CCG1236
	C 560 (A,120,90) 22 uF	CCG1254
F	C 601 (A,13,67)	CKSSYB224K6R3
	C 603 (A,13,64)	CKSSYB105K6R3
	C 604 (A,18,58)	CKSSYB104K16
	C 605 (A,20,70)	CKSSYB332K50
	C 606 (A,18,69)	CKSSYB102K50

	3	4
	<u>Circuit Symbol and No.</u>	<u>Part No.</u>
	C 607 (A,14,56)	CKSRYB105K16
	C 608 (A,16,69)	CKSSYB105K6R3
	C 609 (A,22,56)	CKSQYB105K25
	C 611 (A,22,55)	CKSQYB105K25
	C 612 (A,19,55)	CKSRYB104K50
	C 613 (A,26,60)	CKSQYB474K25
	C 614 (A,27,56)	CKSQYB474K25
	C 616 (A,23,62)	CKSYB475K16
	C 617 (A,12,65)	CKSSYB102K50
	C 618 (A,24,74)	CKSQYB475K6R3
	C 619 (A,15,61)	CKSSYB103K16
	C 620 (A,19,60)	CKSSYB561K50
	C 621 (A,19,74) 10 uF	CCG1236
	C 622 (A,17,74) 10 uF	CCG1236
	C 623 (A,14,69)	CKSSYB102K50
	C 624 (A,13,63)	CKSSYB224K6R3
	C 625 (A,119,84)	CKSSYB332K50

## G

**Unit Number : EWX2008**  
**Unit Name : Main PCB Unit**

### MISCELLANEOUS

IC 1 (A,24,20) IC	BA6247FP
Q 1 (A,14,17) Transistor	LTC024EEB
D 1 (A,16,16) Diode	DZ2J056M0
S 1 (A,27,46) Spring Switch(DEG0)	CSN1081
CN1 (A,25,6) Connector	CKS6063

### RESISTORS

R 1 (A,17,13)	RS1/16SS272J
R 2 (A,19,15)	RS1/16SS471J
R 3 (A,23,25)	RS1/16SS102J
R 4 (A,27,26)	RS1/16SS102J
R 5 (A,27,25)	RS1/16SS102J
R 6 (A,16,13)	RS1/16SS183J

### CAPACITORS

C 1 (A,12,24)	CEVW101M16
C 2 (A,27,15)	CKSSYB104K16
C 3 (A,21,15)	CKSRYB105K16
C 4 (A,31,25)	CKSSYB104K16
C 5 (A,20,36)	CKSSYB223K16
C 6 (A,14,35)	CKSSYB223K16
C 7 (A,15,11)	CKSSYB104K10

## H

**Unit Number : EWX2009**  
**Unit Name : SW PCB Unit**

### MISCELLANEOUS

S 51 (A,17,7) Spring Switch(CLOSE)	CSN1080
S 52 (A,15,15) Spring Switch(OPEN)	CSN1080
VR51 (A,11,30) Variable Resistor 10 kohm	CCW1029

5  
**Circuit Symbol and No.**

6  
**Part No.**

7

8

**RESISTORS**

R 51 (A,11,12)  
R 52 (A,11,11)  
R 53 (A,11,9)  
R 54 (A,11,10)

RS1/16SS272J  
RS1/16SS273J  
RS1/16SS472J  
RS1/16SS563J

A

**CAPACITORS**

C 51 (A,11,19)  
C 52 (A,9,14)

CKSSYB104K10  
CKSSYB104K10

B

C

D

E

F