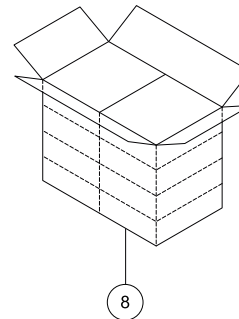
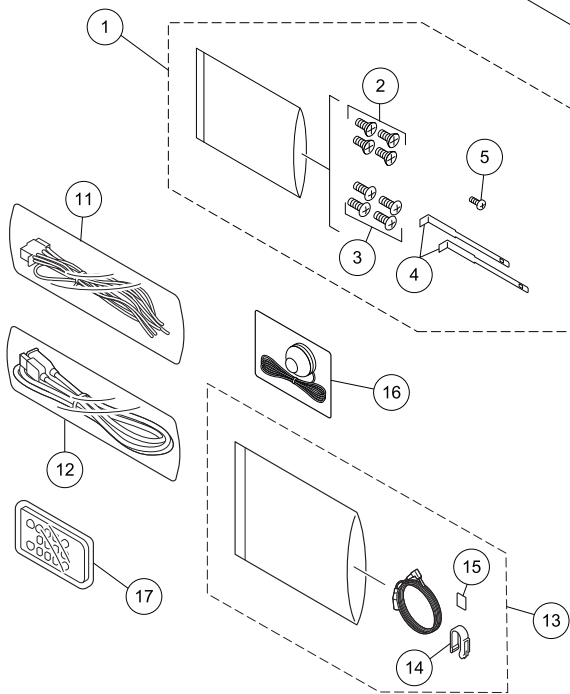
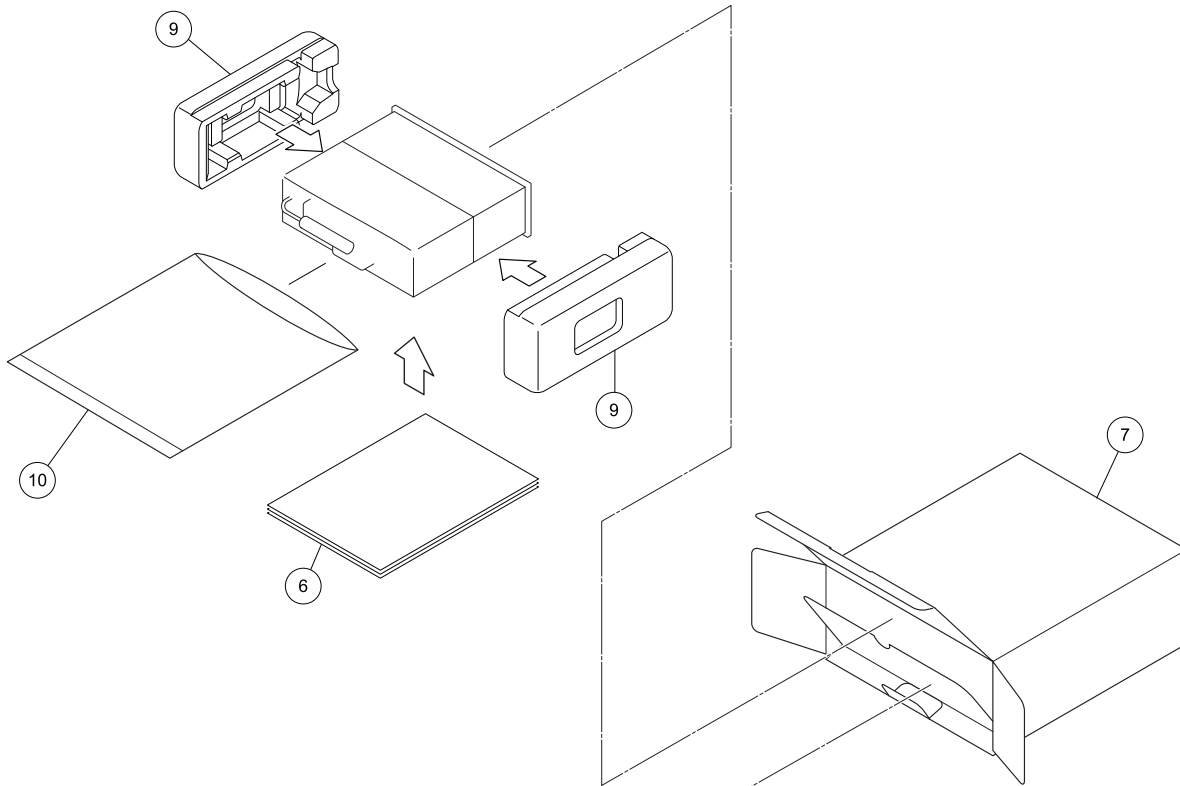


9. EXPLODED VIEWS AND PARTS LIST

- NOTES :
- Parts marked by "*" are generally unavailable because they are not in our Master Spare Parts List.
 - The ⚠ mark found on some component parts indicates the importance of the safety factor of the part. Therefore, when replacing, be sure to use parts of identical designation.
 - Screw adjacent to ∇ mark on the product are used for disassembly.
 - For the applying amount of lubricants or glue, follow the instructions in this manual. (In the case of no amount instructions, apply as you think it appropriate.)

9.1 PACKING



PACKING SECTION PARTS LIST

<u>Mark No.</u>	<u>Description</u>	<u>Part No.</u>
1	Accessory Assy	QEA3337
2	Screw	CBA2383
3	Screw	CBA2384
4	Handle	QNC3021
5	Screw	BPZ20P060FTC
* 6-1	Warranty Card	QRY3001
6-2	Owner's Manual	QRD3346
7	Unit Box	QHG3882
8	Contain Box	QHL3882
9	Protector	CHP4594
10	Polyethylene Bag	CEG1173
11	Cord Assy	CDP1484
12	USB Extended Cable	CDP1587
13	Microphone Assy	CPM1109
14	Holder	CZN7192
15	Cushion	CZN7193
16	Microphone Assy	CPM1086
17	Card Remote Control Unit	QXE1044

A

B

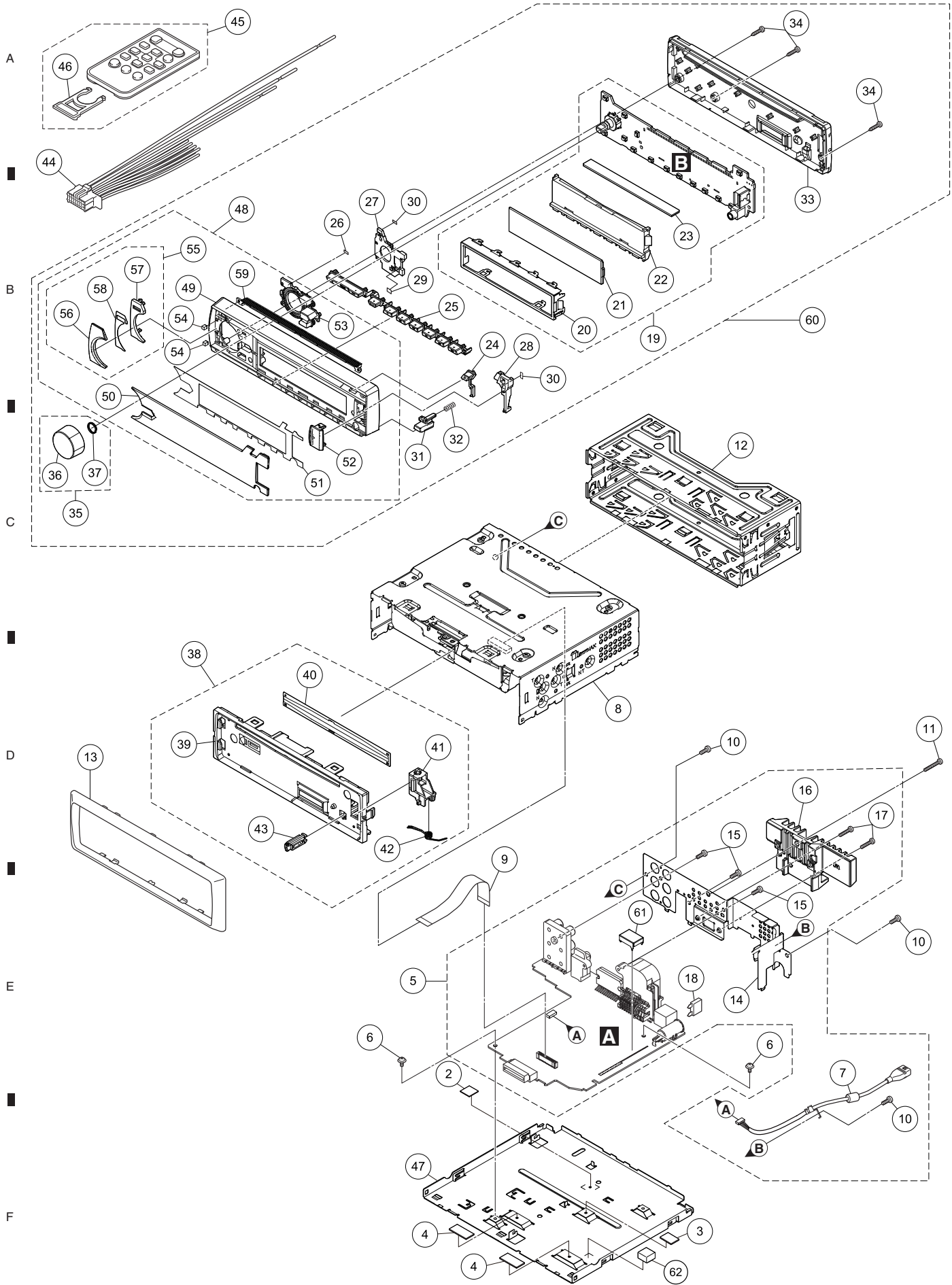
C

D

E

F

9.2 EXTERIOR



EXTERIOR SECTION PARTS LIST

<u>Mark No.</u>	<u>Description</u>	<u>Part No.</u>	<u>Mark No.</u>	<u>Description</u>	<u>Part No.</u>
1		50	Plate	QNS3977
2	Heat Conductor Sheet	QNM3165	51	Double Side Tape	QNM3140
3	Heat Conductor Sheet	QNM3164	52	Door	QAT3021
4	Heat Conductor Sheet	QNM3135	53	Button	QAC3221
5	Tuner Amp Unit	QWM4147	54	Cushion	QNM3142
6	Screw	ASZ26P050FTC	55	Button Unit(SRC)	QXA4598
7	USB Conn-Cable	QDP3089	56	Plate	QNS3966
8	CD Mechanism Module(S11.6VA)	CXK5808	57	Holder	QNS3968
9	FFC	QDE3029	58	Double Side Tape	QNM3141
10	Screw	BSZ26P060FTC	59	Lighting Conductor	QNV3119
11	Screw	BSZ26P120FTC	60	Detach Grille Assy	QXA4633
12	Holder	QNC3020			
13	Panel	QNS3576	61	Shield Case	QNC3107
14	Holder	QNC3114	62	Gasket	QNM3174
15	Screw	BPZ26P080FTC			
16	Heat Sink	QNR3010			
17	Screw	BSZ26P120FTC			
⚠ 18	Fuse(10 A)	YEK5001			
19	Keyboard Unit	QWM4240			
20	Holder	QNC3120			
21	Segment LCD(V1801)	CAW2057			
22	Lighting Conductor	QNV3120			
23	Rubber Connector	QNV3126			
24	Button(EJECT)	QAC3223			
25	Button(TRACK, DISP, 1-6)	QAC3222			
26	Sheet	QNM3143			
27	Lighting Conductor	QNV3117			
28	Lighting Conductor	QNV3118			
29	Sheet	QNM3144			
30	Sheet	QNM3145			
31	Button(DETACH)	QAC3224			
32	Spring	CBH2210			
33	Cover	QNS3962			
34	Screw	BPZ20P100FTC			
35	Knob Unit	QXA4712			
36	Knob	QAA3056			
* 37	Spring	YBL5010			
38	Panel Assy	QXA4716			
39	Panel	QNS4071			
40	Cover	QNM3029			
41	Arm	QNV3025			
42	Spring	QBH3001			
43	Button	QNV3026			
44	Cord Assy	CDP1484			
45	Card Remote Control Unit	QXE1044			
46	Cover	CNS7068			
47	Case	QNB3034			
48	Grille Unit	QXA4591			
49	Grille	QNS3969			

9.3 CD MECHANISM MODULE

A

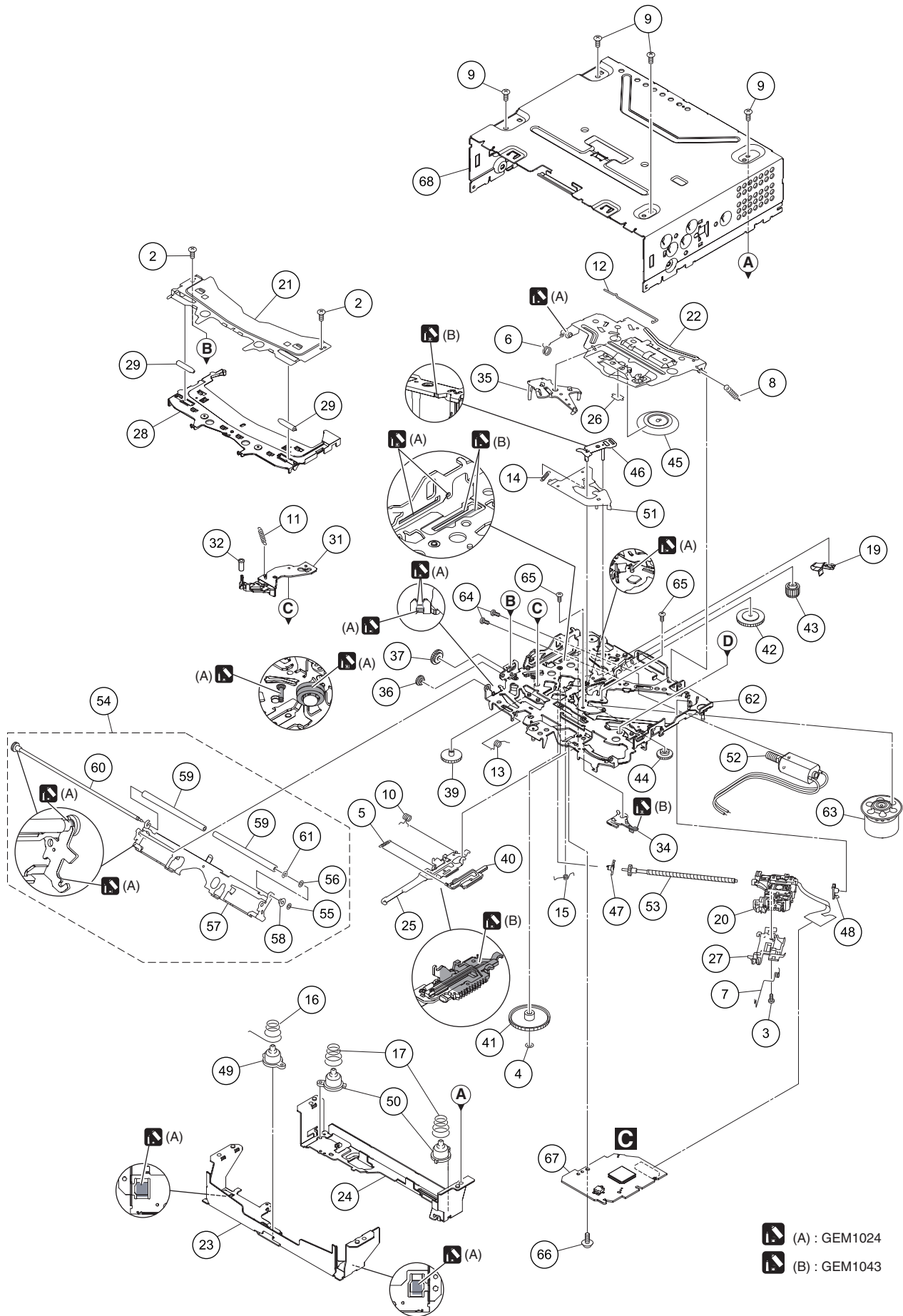
B

C

D

E

F



(A) : GEM1024
 (B) : GEM1043

CD MECHANISM MODULE SECTION PARTS LIST

<u>Mark No.</u>	<u>Description</u>	<u>Part No.</u>	<u>Mark No.</u>	<u>Description</u>	<u>Part No.</u>
1		50	Damper	CNW1198
2	Screw	BSZ20P040FTC	51	Arm	CNW1726
3	Screw(M2 x 4)	CBA1835	52	Motor Unit(M2)(LOAD/CRG)	CXC4026
4	Washer	CBF1038	53	Screw Unit	CXC8894
5	Spring	CBH3010	54	Arm Assy	CXE6232
6	Spring	CBH2855	55	Washer	CBF1037
7	Spring	CBH2856	56	Washer	CBF1038
8	Spring	CBH2860	57	Arm	CND6242
9	Screw	BSZ26P060FTC	58	Collar	CNW2444
10	Spring	CBH3011	59	Roller	CNW2500
11	Coil Spring	CBH3095	60	Gear Unit	CXE6225
12	Spring	CBH3014	61	Washer	YE15FTC
13	Spring	CBH3015	62	Chassis Unit	CXE4528
14	Spring	CBH3016	63	Motor Unit(M1)(SPDL)	CXE2273
15	Spring	CBH3017	64	Screw	JFZ20P025FTC
16	Spring	CBH3086	65	Screw	JGZ17P022FTC
17	Spring	CBH3019	66	Screw	EBA1028
18		67	CD Core Unit (S11.6VA)	CWX4269
19	Leaf Spring	CBL1824	68	Chassis	CNA3181
20	Service Unit (P11)	CXX4754			
21	Bracket	CND4553			
22	Arm	CND6406			
23	Bracket	CND6127			
24	Bracket	CND5710			
25	Lever	CND5398			
26	Sheet	CNN3678			
27	Rack	CNV8342			
28	Guide	CNW2240			
29	Roller	CNW1172			
30				
31	Arm	CNW2241			
32	Roller	CNW1175			
33				
34	Arm	CNW1177			
35	Arm	CNW1178			
36	Gear	CNW1180			
37	Gear	CNW1181			
38				
39	Gear	CNW1183			
40	Rack	CNW1184			
41	Gear	CNW1185			
42	Gear	CNW1186			
43	Gear	CNW1187			
44	Gear	CNW2287			
45	Clamper	CNW1190			
46	Arm	CNW1192			
47	Holder	CNW1193			
48	Holder	CNW1194			
49	Damper	CNW1197			

12. ELECTRICAL PARTS LIST

NOTE:

- Parts whose parts numbers are omitted are subject to being not supplied.
- The part numbers shown below indicate chip components.

Chip Resistor

RS1/○S○○○○J,RS1/○○S○○○○J

Chip Capacitor (except for CQS.....)

CKS....., CCS....., CSZS.....

- Parts marked by " * " are generally unavailable because they are not in our Master Spare Parts List.
- The Δ mark found on some component parts indicates the importance of the safety factor of the part. Therefore, when replacing, be sure to use parts of identical designation.

- The expression of the unit in this manual is shown by u instead of μ . Please do not make a mistake.

<u>Circuit Symbol and No.</u>	<u>Part No.</u>	<u>Circuit Symbol and No.</u>	<u>Part No.</u>
Unit Number: QWM4147		Q 442	Resistor Built-in Transistor
Unit Name : Tuner Amp Unit		Q 481	Transistor
Unit Number: QWM4240		Q 482	Resistor Built-in Transistor
Unit Name : Keyboard Unit		Q 701	Bipolar Transistor
Unit Number: CWX4269		Q 801	Resistor Built-in Transistor
Unit Name : CD Core Unit(S11.6VA)		Q 851	Bipolar Transistor
		Q 852	Bipolar Transistor
		Q 853	Bipolar Transistor
		Q 854	Bipolar Transistor
		Q 1221	Transistor
		Q 1222	Chip Transistor
		Q 1223	Transistor
		Q 1301	Transistor
		D 101	Diode
		D 102	Diode
		D 111	Diode
		D 121	Diode
		D 141	Diode
		D 201	Schottky Diode
		D 202	Diode
		D 203	Diode
		D 206	Schottky Diode
		D 207	Schottky Diode
		D 209	Diode
		D 211	Diode
		D 301	Diode
		D 302	Diode
		D 321	Switching Diode
		D 422	Diode
		D 423	Diode
		D 424	Diode
		D 425	Diode
		D 501	Schottky Diode
		D 502	Schottky Diode
		D 504	Diode
		D 505	Diode
		D 506	Diode
		D 507	Diode
		D 1102	Diode
		D 1201	Diode
		D 1204	Diode
		D 1205	Diode
		D 1206	Diode
		D 1207	Diode
IC 201	Power supply IC	BD49101AEFS	
IC 202	Power supply IC	BD2232G-G	
IC 301	DC/DC Converter IC	KBD9876EFJ	
IC 321	Power supply IC	BD2232G-G	
IC 422	Regulator IC	MM3411A33N	
IC 423	Regulator IC	S-1172B12-E6	
IC 461	Regulator IC	NJW4184DL3-08A	
* IC501	Microprocessor IC	STA1080	
IC 502	IC	S-80827CNMC-B8M	
IC 503	L-MOS And Gate	TC7SET08FUS1	
IC 504	IC	TC7SH126FU	
IC 701	IC	337S3959	
IC 702	RAM IC	M12L128168A-5TG2N	
IC 731	ROM IC	M95512-RMN6P	
IC 741	IC	QWW4080	
IC 742	IC	MX25L1636EM2I-08G	
IC 751	E-VOL System LSI	PM9015A	
IC 801	Op-amp IC	NJW1240V	
IC 851	Tuner IC	TEF6688HN-V102	
IC 1301	Power Amp IC	PAL013B	
Q 111	Bipolar Transistor	LSCR523UB	
Q 121	Resistor Built-in Transistor	LTC014EEB	
Q 141	Bipolar Transistor	LSCR523UB	
Q 142	Bipolar Transistor	LSCR523UB	
Q 201	Bipolar Transistor	LSCR523UB	
Q 202	FET	SSM3J332R	
Q 203	Power MOS FET	RRR040P03	
Q 441	Transistor	2SAR502UB	

1

2

3

4

Circuit Symbol and No.**Part No.****Circuit Symbol and No.****Part No.**

	R 268	RS1/10SR0R0J	R 558	RS1/16SS221J
	R 269	RS1/16SS101J	R 559	RS1/16SS221J
A	R 301	RS1/10SR471J	R 560	RS1/16SS473J
	R 303	RS1/16SS1803D	R 561	RS1/16SS103J
	R 304	RS1/16SS4302D	R 563	RS1/16SS0R0J
	R 305	RS1/16SS682J	R 564	RS1/16SS472J
	R 306	RS1/16SS0R0J	R 565	RS1/16SS0R0J
	R 321	RS1/16SS222J	R 566	RAB4CQ473J
	R 322	RS1/16SS0R0J	R 570	RS1/16SS221J
	R 323	RS1/16SS102J	R 571	RS1/16SS221J
	R 404	RS1/10SR0R0J	R 573	RS1/16SS473J
	R 406	RS1/16SS183J	R 574	RS1/16SS473J
	R 422	RS1/16SS102J	R 575	RS1/16SS473J
B	R 441	RS1/16SS103J	R 576	RS1/16SS473J
	R 442	RS1/10SR221J	R 577	RS1/16SS473J
	R 481	RS1/16SS471J	R 578	RS1/16SS473J
	R 482	RS1/16SS103J	R 579	RS1/16SS473J
	R 501	RS1/16SS222J	R 580	RS1/16SS473J
	R 503	RS1/16SS222J	R 581	RS1/16SS472J
	R 504	RS1/16SS222J	R 584	RS1/16SS102J
	R 506	RS1/16SS473J	R 586	RS1/16SS103J
	R 507	RS1/16SS473J	R 587	RS1/16SS0R0J
	R 508	RS1/16SS473J	R 591	RS1/16SS361J
	R 509	RS1/16SS473J	R 594	RS1/16SS472J
C	R 510	RS1/16SS473J	R 595	RS1/16SS0R0J
	R 511	RS1/16SS473J	R 596	RS1/16SS0R0J
	R 512	RS1/16SS101J	R 597	RS1/16SS102J
	R 513	RS1/16SS222J	R 598	RS1/16SS102J
	R 514	RS1/16SS221J	R 599	RS1/16SS102J
	R 515	RS1/16SS221J	R 614	RS1/16SS473J
	R 516	RS1/16SS221J	R 615	RS1/16SS103J
	R 517	RS1/16SS221J	R 616	RS1/10SR473J
	R 518	RS1/16SS472J	R 617	RS1/16SS473J
	R 519	RS1/16SS271J	R 620	RS1/16SS0R0J
	R 520	RS1/16SS472J	R 622	RS1/16SS0R0J
D	R 522	RS1/16SS0R0J	R 629	RS1/16SS472J
	R 524	RS1/16SS3001D	R 630	RS1/16SS101J
	R 525	RS1/16SS103J	R 631	RS1/16SS221J
	R 526	RS1/16SS1213F	R 632	RS1/16SS101J
	R 527	RS1/16SS0R0J	R 633	RS1/16SS101J
	R 528	RS1/16SS0R0J	R 634	RS1/16SS101J
	R 529	RS1/16SS0R0J	R 635	RS1/16SS101J
	R 530	RS1/16SS0R0J	R 636	RS1/16SS101J
	R 531	RS1/16SS222J	R 637	RS1/16SS221J
	R 532	RS1/16SS102J	R 638	RS1/16SS221J
E	R 533	RS1/10SR103J	R 639	RS1/16SS101J
	R 534	RS1/10SR103J	R 640	RS1/16SS101J
	R 537	RS1/16SS473J	R 642	RS1/16SS0R0J
	R 539	RS1/16SS473J	R 643	RS1/16SS101J
	R 540	RS1/16SS103J	R 644	RS1/16SS102J
	R 541	RS1/16SS103J	R 645	RS1/16SS101J
	R 545	RS1/16SS473J	R 646	RS1/16SS102J
	R 546	RS1/16SS103J	R 647	RS1/16SS102J
	R 547	RS1/16SS473J	R 648	RS1/16SS102J
	R 548	RS1/16SS102J	R 649	RS1/16SS102J
	R 550	RS1/16SS103J	R 650	RS1/16SS121J
F	R 551	RS1/16SS103J	R 651	RS1/16SS102J
	R 554	RS1/16SS222J	R 652	RS1/16SS101J
	R 555	RS1/16SS0R0J	R 653	RS1/16SS102J
	R 557	RS1/16SS221J	R 654	RS1/16SS102J

1

2

3

4

5	6	7	8
<u>Circuit Symbol and No.</u>	<u>Part No.</u>	<u>Circuit Symbol and No.</u>	<u>Part No.</u>
R 655	RS1/16SS102J	R 852	RS1/16SS105J
R 657	RS1/4SA0R0J	R 853	RS1/16SS391J
R 658	RS1/4SA0R0J	R 860	RS1/16SS0R0J
R 659	RS1/10SR0R0J	R 861	RS1/16SS0R0J
R 672	RS1/16SS101J	R 862	RS1/16SS0R0J
R 701	RS1/16SS103J	R 864	RS1/16SS103J
R 702	RS1/16SS472J	R 865	RS1/16SS332J
R 703	RS1/16SS101J	R 866	RS1/16SS182J
R 704	RS1/16SS101J	R 868	RS1/16SS103J
R 705	RS1/16SS222J	R 869	RS1/16SS0R0J
R 706	RS1/16SS222J	R 870	RS1/16SS101J
R 707	RS1/16SS472J	R 871	RS1/16SS102J
R 708	RS1/16SS272J	R 872	RS1/16SS121J
R 709	RS1/16SS473J	R 873	RS1/16SS472J
R 710	RS1/16SS0R0J	R 874	RS1/16SS101J
R 711	RS1/16SS0R0J	R 875	RS1/16SS472J
R 714	RAB4CQ121J	R 876	RS1/16SS121J
R 715	RAB4CQ121J	R 877	RS1/16SS121J
R 716	RAB4CQ121J	R 878	RS1/16SS121J
R 717	RAB4CQ121J	R 879	RS1/16SS121J
R 718	RAB4CQ121J	R 881	RS1/16SS332J
R 719	RAB4CQ121J	R 882	RS1/16SS182J
R 720	RAB4CQ121J	R 883	RS1/16SS102J
R 721	RAB4CQ121J	R 884	RS1/16SS121J
R 722	RAB4CQ121J	R 890	RS1/16SS0R0J
R 724	RS1/16SS121J	R 891	RS1/10SR0R0J
R 728	RS1/10SR0R0J	R 952	RS1/16SS101J
R 729	RS1/10SR0R0J	R 953	RS1/16SS101J
R 730	RS1/10SR0R0J	R 954	RS1/16SS101J
R 731	RS1/16SS330J	R 955	RS1/16SS101J
R 732	RS1/16SS330J	R 957	RS1/16SS101J
R 733	RS1/16SS103J	R 958	RS1/16SS101J
R 734	RS1/16SS103J	R 959	RS1/16SS101J
R 735	RS1/16SS103J	R 960	RS1/16SS101J
R 736	RS1/16SS330J	R 961	RS1/10SR102J
R 737	RS1/16SS330J	R 962	RS1/10SR221J
R 741	RS1/16SS330J	R 963	RS1/10SR121J
R 742	RS1/16SS103J	R 966	RS1/10SR0R0J
R 743	RS1/16SS103J	R 968	RS1/10SR0R0J
R 744	RS1/16SS330J	R 970	RS1/4SA0R0J
R 745	RS1/16SS330J	R 971	RS1/4SA0R0J
R 746	RS1/16SS103J	R 1001	RS1/16SS0R0J
R 747	RS1/16SS330J	R 1002	RS1/16SS221J
R 748	RS1/16SS330J	R 1004	RS1/16SS473J
R 749	RS1/16SS330J	R 1005	RS1/16SS221J
R 750	RS1/16SS103J	R 1006	RS1/16SS0R0J
R 751	RS1/16SS0R0J	R 1007	RS1/16SS0R0J
R 753	RS1/16SS0R0J	R 1008	RS1/10SR0R0J
R 754	RS1/16SS105J	R 1011	RS1/16SS0R0J
R 755	RS1/16SS471J	R 1012	RS1/16SS221J
R 758	RS1/10SR221J	R 1013	RS1/16SS0R0J
R 798	RS1/10SR0R0J	R 1014	RS1/10SR0R0J
R 800	RS1/16SS0R0J	R 1015	RS1/10SR0R0J
R 801	RS1/16SS103J	R 1016	RS1/4SA0R0J
R 802	RS1/16SS100J	R 1017	RS1/16SS473J
R 803	RS1/16SS0R0J	R 1018	RS1/16SS473J
R 804	RS1/16SS684J	R 1101	RS1/16SS104J
R 805	RS1/16SS102J	R 1104	RS1/16SS104J
R 810	RS1/10SR0R0J	R 1105	RS1/16SS221J
R 851	RS1/16SS105J	R 1106	RS1/16SS221J

1

2

3

4

Circuit Symbol and No.Part No.Circuit Symbol and No.Part No.R 1107
R 1108RS1/16SS101J
RS1/16SS221JR 1286
R 1287RS1/16SS0R0J
RS1/16SS0R0J

A

R 1109
R 1110
R 1112
R 1113
R 1114RS1/16SS101J
RS1/16SS102J
RS1/16SS221J
RS1/16SS104J
RS1/16SS473JR 1301
R 1302
R 1303
R 1306
R 1307RS1/16SS103J
RS1/16SS223J
RS1/16SS221J
RS1/16SS103J
RS1/16SS0R0JR 1115
R 1116
R 1117
R 1120
R 1121RS1/16SS472J
RS1/16SS472J
RS1/16SS472J
RS1/16SS151J
RS1/16SS151JR 1309
R 1313
R 1314RS1/10SR0R0J
RS1/10SR0R0J
RS1/10SR0R0JCAPACITORS

B

R 1122
R 1123
R 1126
R 1201
R 1203RS1/16SS151J
RS1/16SS0R0J
RS1/16SS0R0J
RS1/10SR222J
RS1/16SS223JC 101 2 200 uF/16 V
C 102
C 103
C 104
C 105CCH1405
CKSRYB103K50
CKSSYB102K50
CKSSYB102K50
CKSSYB102K50R 1204
R 1205
R 1206
R 1207
R 1208RS1/16SS223J
RS1/10SR222J
RS1/10SR221J
RS1/10SR221J
RS1/10SR0R0JC 106
C 107
C 108
C 109
C 110CKSSYB102K50
CKSSYB102K50
CKSSYB102K50
CKSSYB102K50
CKSSYB102K50

C

R 1209
R 1210
R 1211
R 1212
R 1213RS1/10SR222J
RS1/10SR222J
RS1/10SR222J
RS1/10SR222J
RS1/16SS123JC 111
C 122 1 uF
C 201
C 202
C 203 10 uFCKSRYB104K50
CCG1396
CCSSCH681J50
CEVW101M16
CCG1192R 1214
R 1215
R 1218
R 1221
R 1222RS1/10SR222J
RS1/10SR101J
RS1/10SR0R0J
RS1/16SS122J
RS1/16SS152JC 204
C 205 1 uF
C 206 10 uF
C 208
C 209CEVQW221M6R3
CCG1396
CCG1236
CCSSCH471J50
CCSSCH681J50

D

R 1223
R 1231
R 1232
R 1233
R 1234RS1/16SS103J
RS1/16SS181J
RS1/16SS181J
RS1/16SS223J
RS1/16SS223JC 210 2 200 uF/16 V
C 211 10 uF
C 213 1 uF
C 214 10 uF
C 216 10 uFCCH1405
CCG1192
CCG1396
CCG1192
CCG1236R 1235
R 1236
R 1237
R 1241
R 1242RS1/16SS181J
RS1/16SS181J
RAB4CQ102J
RS1/16SS0R0J
RS1/16SS0R0JC 217
C 218 10 uF
C 220 10 uF
C 221 10 uF
C 222CKSRYB105K10
CCG1236
CCG1236
CCG1236
XCEVW221M10

E

R 1243
R 1244
R 1245
R 1246
R 1247RS1/16SS0R0J
RS1/16SS0R0J
RS1/16SS0R0J
RS1/16SS0R0J
RS1/16SS223JC 223
C 224
C 225
C 227
C 228CCSSCH221J50
CKSRYB105K10
CKSRYB105K10
CCSSCH391J50
CCSSCH681J50R 1248
R 1249
R 1250
R 1251
R 1252RS1/16SS223J
RS1/16SS223J
RS1/16SS223J
RS1/16SS223J
RS1/16SS223JC 230 10 uF
C 231
C 232
C 234 4.7 uF
C 236 10 uFCCG1192
CKSRYB104K16
CEVQW221M6R3
CCG1212
CCG1236

F

R 1253
R 1255
R 1263
R 1278
R 1280RS1/16SS0R0J
RS1/16SS0R0J
RS1/10SR0R0J
RS1/16SS102J
RS1/16SS102JC 238 22 uF
C 239
C 240
C 241 10 uF
C 242CCG1254
CCSSCH100D50
CCSSCH100D50
CCG1192
CEVW101M16R 1281
R 1282
R 1284RS1/16SS101J
RS1/16SS101J
RS1/10SR0R0JC 243 10 uF
C 245CCG1236
CKSRYB104K16

1

2

3

4

5		6		7		8	
<u>Circuit Symbol and No.</u>		<u>Part No.</u>		<u>Circuit Symbol and No.</u>		<u>Part No.</u>	
C 247		CKSRYB105K10		C 520	4.7 uF	CCG1212	
C 248	1 uF	CCG1393		C 521		CKSSYB104K10	
C 249		CKSRYB105K10		C 522	4.7 uF	CCG1212	
C 250		CKSRYB105K10		C 523	4.7 uF	CCG1212	A
C 251		CKSRYB105K10		C 524	4.7 uF	CCG1212	
C 252	4.7 uF	CCG1212		C 525	10 uF	CCG1192	
C 253	1 uF	CCG1393		C 526		CKSSYB103K16	
C 255	1 uF	DCH1246		C 527	10 uF	CCG1192	
C 257	10 uF	CCG1236		C 528		CKSSYB103K16	
C 259	10 uF	CCG1192		C 529		CKSSYB104K10	
C 260	10 uF	CCG1192		C 530	4.7 uF	CCG1212	
C 261		CKSSYB104K10		C 531	1 uF	DCH1246	
C 263		CKSRYB105K16		C 532	1 uF	DCH1246	
C 264		CKSRYB102K50		C 533	4.7 uF	CCG1212	B
C 265	10 uF	CCG1236		C 534		CKSSYB104K10	
C 266	10 uF	CCG1236		C 535		XCEVW221M10	
C 270	4.7 uF	CCG1212		C 536		CCSSCH101J50	
C 302		CEVQW221M6R3		C 537		CKSSYB103K16	
C 303	1 uF	DCH1246		C 538	10 uF	CCG1192	
C 304		CKSRYB105K10		C 539		CKSSYB103K16	
C 305	4.7 uF	CCG1212		C 540	10 uF	CCG1192	
C 306		CKSSYB682K25		C 541		CKSSYB222K50	
C 308		CKSRYB103K50		C 542		CKSSYB104K10	
C 309	10 uF	CCG1236		C 543	1 uF	DCH1246	
C 311	1 uF	CCG1396		C 544		CKSSYB473K16	C
C 312		CEAT102M16		C 545		CCSSCH100D50	
C 313		CKSRYB102K50		C 546		CCSSCH120J50	
C 315		CKSRYB104K16		C 551		CKSSYB104K10	
C 317		CKSRYB105K10		C 552	4.7 uF	CCG1212	
C 321		CKSRYB105K10		C 553	10 uF	CCG1192	
C 322		CKSRYB105K10		C 555		CKSSYB103K16	
C 324		CKSRYB105K10		C 556		CKSSYB104K10	
C 425	4.7 uF	CCG1212		C 557		CKSSYB104K10	
C 426	10 uF	CCG1192		C 558		CKSSYB104K10	
C 427	4.7 uF	CCG1212		C 559		CKSQYB224K50	
C 428	10 uF	CCG1192		C 560		CKSSYB103K16	D
C 430	10 uF	CCG1192		C 565		CCSRCH330J50	
C 432	10 uF	CCG1192		C 566		CCSRCH330J50	
C 433	1 uF	DCH1246		C 569		CCSSCH101J50	
C 442	10 uF	CCG1192		C 571		CCSRCH330J50	
C 444	10 uF	CCG1192		C 572		CCSRCH330J50	
C 462	10 uF	CCG1192		C 573		CCSRCH101J50	
C 464	10 uF	CCG1236		C 574		CCSSCH101J50	
C 481		CEVQW470M6R3		C 575		CKSSYB104K10	
C 482	1 uF	DCH1246		C 577		CCSSCH101J50	
C 502		CKSSYB104K10		C 578		CKSSYB104K10	
C 503	4.7 uF	CCG1212		C 579		CKSSYB104K10	E
C 505		CKSSYB104K10		C 580		CKSRYB104K16	
C 506	4.7 uF	CCG1212		C 586		CCSSCH102J50	
C 507	4.7 uF	CCG1212		C 701		CKSSYB104K10	
C 508		CKSSYB104K10		C 702		CKSSYB104K10	
C 509	4.7 uF	CCG1212		C 711	4.7 uF	CCG1212	
C 510		CKSSYB104K10		C 712	1 uF	DCH1246	
C 511	4.7 uF	CCG1212		C 713		CKSSYB104K10	
C 512		CKSSYB104K10		C 714	1 uF	DCH1246	
C 513	4.7 uF	CCG1212		C 715	1 uF	DCH1246	
C 514		CKSSYB104K10		C 716	1 uF	DCH1246	
C 517		CKSSYB104K10		C 718		CKSSYB104K10	F
C 518		CCSSCH100D50		C 719		CKSSYB104K10	
C 519		CCSSCH100D50		C 720	1 uF	DCH1246	

	1	2	3	4
	<u>Circuit Symbol and No.</u>	<u>Part No.</u>	<u>Circuit Symbol and No.</u>	<u>Part No.</u>
	C 722	CKSSYB104K10	C 878	CKSSYB152K50
	C 724	CKSRYB102K50	C 885	CKSSYB104K10
	C 730 10 uF	CCG1192	C 886	CKSRYB102K50
A	C 731	CKSSYB104K10	C 887	CKSRYB104K50
	C 741 2.2 uF	CCG1205	C 889	CKSSYB104K10
	C 742	CKSSYB104K10	C 890 2.2 uF	CCG1205
	C 743	CKSSYB104K10	C 891 2.2 uF	CCG1205
	C 751	CKSRYB105K10	C 892	CKSRYB105K10
	C 752	CKSRYB105K10	C 954	CCSSCH150J50
	C 753	CKSRYB105K10	C 955	CCSSCH150J50
	C 754	CKSRYB105K10	C 958 10 uF	CCG1192
	C 755	CKSRYB105K10	C 959	CKSSYB104K10
	C 757	CKSRYB105K10	C 960 10 uF	CCG1192
B	C 758	CKSRYB105K10	C 961	CKSSYB104K10
	C 759	CKSRYB105K10	C 1003	CKSRYB104K16
	C 760	CKSRYB105K10	C 1004	CKSRYB104K16
	C 762	CEVQW470M6R3	C 1101	CKSSYB103K16
	C 764	CKSSYB104K10	C 1105 1 uF	DCH1246
	C 765	CCSSCH151J50	C 1106 1 uF	DCH1246
	C 766	CCSSCH151J50	C 1107	CKSRYB104K16
	C 767	CEVQW470M6R3	C 1108	CKSRYB104K16
	C 768	CEVQW470M6R3	C 1111	CKSSYB102K50
	C 771 10 uF	CCG1192	C 1201	CCSRCH102J50
C	C 772	CKSSYB104K10	C 1202	CKSRYB104K50
	C 773	CKSSYB104K10	C 1203	CKSRYB104K16
	C 774	CCSSCH100D50	C 1204	CKSRYB105K10
	C 775	CCSSCH100D50	C 1205	CCSRCH221J50
	C 776	CKSRYB105K10	C 1206	CCSRCH221J50
	C 777	CKSRYB105K10	C 1207	CKSRYB474K10
	C 778	CKSRYB105K10	C 1210	CKSRYB105K10
	C 783 1 uF	DCH1246	C 1213	CKSRYB104K16
	C 790	CKSSYB102K50	C 1214	CKSRYB102K50
	C 791 10 uF	CCG1192	C 1215	CKSRYB105K10
	C 792	CKSSYB472K50	C 1217	CCSSCH121J50
	C 793	CKSSYB103K16	C 1218	CKSRYB104K16
D	C 799	CKSSYB222K50	C 1221	CKSSYB104K10
	C 800	CKSSYB222K50	C 1231	CKSRYB104K16
	C 801 1 uF	CCG1255	C 1232	CKSRYB105K16
	C 802 1 uF	CCG1255	C 1241 10 uF	CCG1192
	C 803 1 uF	CCG1325	C 1242 10 uF	CCG1192
	C 804 1 uF	CCG1325	C 1243 10 uF	CCG1192
	C 805 1 uF	CCG1325	C 1244 10 uF	CCG1192
	C 806 1 uF	CCG1325	C 1245 10 uF	CCG1192
	C 807 1 uF	CCG1325	C 1246 10 uF	CCG1192
	C 808 1 uF	CCG1325	C 1247	CCSSCH101J50
	C 809 1 uF	CCG1255	C 1248	CCSSCH101J50
E	C 810 1 uF	CCG1255	C 1249	CCSSCH101J50
	C 811	CKSQYB104K50	C 1250	CCSSCH101J50
	C 813 1 uF	CCG1255	C 1251	CCSSCH101J50
	C 814 1 uF	CCG1255	C 1252	CCSSCH101J50
	C 853	CCSSCH100D50	C 1253	CKSSYB103K16
	C 854	CCSSCH471J50	C 1254	CKSSYB104K10
	C 858	CCSSCH220J50	C 1255	CKSSYB104K10
	C 859	CCSSCH331J50	C 1257	CKSSYB102K50
	C 866	CKSSYB224K6R3	C 1276	CKSRYB104K16
	C 867	CKSSYB102K50	C 1277	CKSRYB104K16
F	C 870	CCSSCH102J50	C 1278	CKSRYB104K16
	C 871	CKSSYB104K10	C 1279	CKSRYB104K16
	C 872	CKSSYB104K10	C 1280	CKSSYB102K50
	C 874	CCSSCH390J50	C 1281	CKSSYB102K50

5
Circuit Symbol and No.

6
Part No.

7
Circuit Symbol and No.

8
Part No.

C 1291		CKSRYB105K16
C 1292		CKSRYB102K50
C 1294		CCSSCH470J50
C 1295		CCSSCH470J50
C 1301		CKSRYB474K10
C 1302		CKSRYB474K10
C 1303		CKSRYB474K10
C 1304		CKSRYB474K10
C 1306		CKSRYB105K10
C 1310	10 uF/16 V	DCH1263
C 1311	2.2 uF	CCG1205
C 1312		CKSRYB104K50
C 1316		CKSRYB104K50
C 1317		CKSRYB105K10
C 1319		CKSSYB103K16
C 1328		CKSRYB105K10

JA1921	Jack
V 1801	LCD

CKN1090
CAW2057

RESISTORS

R 1801	RS1/16SS0R0J
R 1802	RS1/16SS0R0J
R 1803	RS1/16SS0R0J
R 1804	RS1/16SS0R0J
R 1805	RS1/16SS472J
R 1821	RS1/16SS273J
R 1841	RS1/16SS332J
R 1842	RS1/16SS152J
R 1843	RS1/16SS332J
R 1844	RS1/16SS152J
R 1845	RS1/16SS332J
R 1846	RS1/16SS152J
R 1847	RS1/16SS470J
R 1849	RS1/16SS470J
R 1851	RS1/16SS470J
R 1865	RS1/16SS332J
R 1866	RS1/16SS152J
R 1867	RS1/16SS332J
R 1868	RS1/16SS152J
R 1869	RS1/16SS332J

B

Unit Number : QWM4240

Unit Name : Keyboard Unit

MISCELLANEOUS

IC 1801	Driver IC	BU97540KV-M
IC 1802	Driver IC	BU97540KV-M
IC 1951	IC	PNJ4833M
Q 1841	Bipolar Transistor	LSCR523UB
Q 1842	Bipolar Transistor	LSCR523UB
Q 1843	Bipolar Transistor	LSCR523UB
Q 1847	Bipolar Transistor	LSCR523UB
Q 1848	Bipolar Transistor	LSCR523UB
Q 1849	Bipolar Transistor	LSCR523UB
D 1841	LED	SMLVN6RGB2UK(B)
D 1842	LED	SMLVN6RGB2UK(B)
D 1843	LED	SMLVN6RGB2UK(B)
D 1844	LED	SMLVN6RGB2UK(B)
D 1845	LED	SMLVN6RGB2UK(B)
D 1901	SMD Varistor	MLV0402ES012V0010N
D 1902	SMD Varistor	MLV0402ES012V0010N
L 1901	Inductor	CTF1713
L 1921	Inductor	CTF1786
L 1922	Inductor	CTF1786
L 1923	Inductor	CTF1786
S 1821	Push Switch	CSG1155
S 1822	Push Switch	CSG1155
S 1823	Push Switch	CSG1155
S 1825	Push Switch	CSG1155
S 1826	Push Switch	CSG1155
S 1827	Push Switch	CSG1155
S 1828	Push Switch	CSG1155
S 1829	Push Switch	CSG1155
S 1830	Push Switch	CSG1155
S 1831	Push Switch	CSG1155
S 1832	Push Switch	CSG1155
S 1833	Push Switch	CSG1155
S 1834	Push Switch	CSG1155
S 1835	Push Switch	CSG1155
S 1836	Encoder(MULTI-CONTROL)	CSD1168
CN1941	Connector	CKS6451
JA1901	Connector	CKS6443

R 1870	RS1/16SS152J
R 1871	RS1/16SS390J
R 1873	RS1/16SS390J
R 1875	RS1/16SS390J
R 1877	RS1/16SS0R0J
R 1878	RS1/16SS0R0J
R 1879	RS1/16SS0R0J
R 1883	RS1/8SQ101J
R 1884	RS1/10SR221J
R 1885	RS1/10SR0R0J
R 1886	RS1/10SR0R0J
R 1887	RS1/16SS101J
R 1888	RS1/16SS101J
R 1941	RS1/10SR222J
R 1942	RS1/10SR222J
R 1943	RS1/10SR222J
R 1944	RS1/10SR222J
R 1953	RS1/10SR101J

CAPACITORS

C 1801	CKSRYB105K10
C 1802	CKSRYB105K10
C 1901	CKSRYB105K10
C 1902	CKSRYB104K16
C 1904	CKSRYB105K16
C 1905	CKSRYB105K16
C 1906	4.7 uF
C 1951	10 uF
C 1952	CCSSCH470J50
C 1953	CCSSCH470J50

C

Unit Number : CWX4269

Unit Name : CD Core Unit(S11.6VA)

1

2

3

4

Circuit Symbol and No.**Part No.****Circuit Symbol and No.****Part No.****MISCELLANEOUS**

C 213

CKSSYB332K50

IC 201	IC	PEQ094A
IC 301	IC	BD8223EFV
Q 101	Transistor	2SA1577
Q 102	Chip Digital Transistor	LTA123JUB
X 201	Ceramic Resonator 16.934 MHz	CSS1603

C 214
C 215
C 216
C 217
C 218

CKSSYB473K16
CKSSYB104K10
CKSSYB152K50
CCSSCH390J50
CCSSCH5R0C50

S 901	Spring Switch(HOME)	CSN1080
S 903	Spring Switch(DSCSNS)	CSN1081
CN101	Connector	CKS4808
CN701	Connector	CKS6146

C 219
C 220
C 221
C 222
C 223

CKSSYB104K10
CKSSYB104K10
CKSSYB104K10
CKSSYB104K10
CCSSCH680J50

RESISTORS

R 101	RS1/10SR2R4J
R 102	RS1/10SR2R4J
R 103	RS1/10SR2R7J
R 108	RS1/16SS105J
R 109	RS1/16SS152J

C 224
C 225
C 228
C 229
C 233

CCSSCH470J50
CKSSYB103K16
CCSSCH180J50
CKSSYB104K10
CKSSYB103K16

R 214	RS1/16SS103J
R 215	RS1/16SS393J
R 216	RS1/16SS102J
R 217	RS1/16SS562J
R 218	RS1/16SS472J

C 236
C 238
C 299
C 302
C 303

CKSSYB104K10
CKSRYB104K16
CKSSYB104K10
CKSSYB102K50
CKSSYB102K50

R 229	RS1/16SS471J
R 232	RS1/16SS0R0J
R 237	RS1/16SS221J
R 240	RS1/16SS473J
R 245	RS1/16SS104J

C 304
C 305
C 306
C 307
C 308

CKSSYB223K16
CKSSYB104K10
CKSSYB104K10
CKSRYB105K10
CKSRYB105K10

R 254	RS1/16SS104J
R 260	RS1/16SS103J
R 264	RS1/16SS102J
R 281	RS1/16SS560J
R 282	RS1/16SS560J

C 710

CKSSYB102K50

R 291	RS1/16SS560J
R 294	RS1/16SS471J
R 303	RS1/16SS123J
R 304	RS1/16SS123J
R 305	RS1/16SS102J

R 306	RS1/16SS472J
R 307	RS1/16SS102J
R 308	RS1/16SS472J
R 309	RS1/16SS473J
R 310	RS1/16SS472J

R 311	RS1/16SS472J
R 312	RS1/16SS472J
R 313	RS1/16SS472J
R 701	RS1/16SS101J
R 702	RS1/16SS101J

R 706	RS1/16SS221J
-------	--------------

CAPACITORS

C 104	CKSQYB475K6R3
C 110	CKSSYB104K10
C 111	CKSSYB103K16
C 203	CKSSYB104K10
C 205	CKSRYB105K10

C 209	CKSRYB104K16
C 210	CKSSYB104K10
C 211	CKSSYB104K10
C 212	CKSSYB104K10

1

2

3

4