

# 2. EXPLODED VIEWS AND PARTS LIST

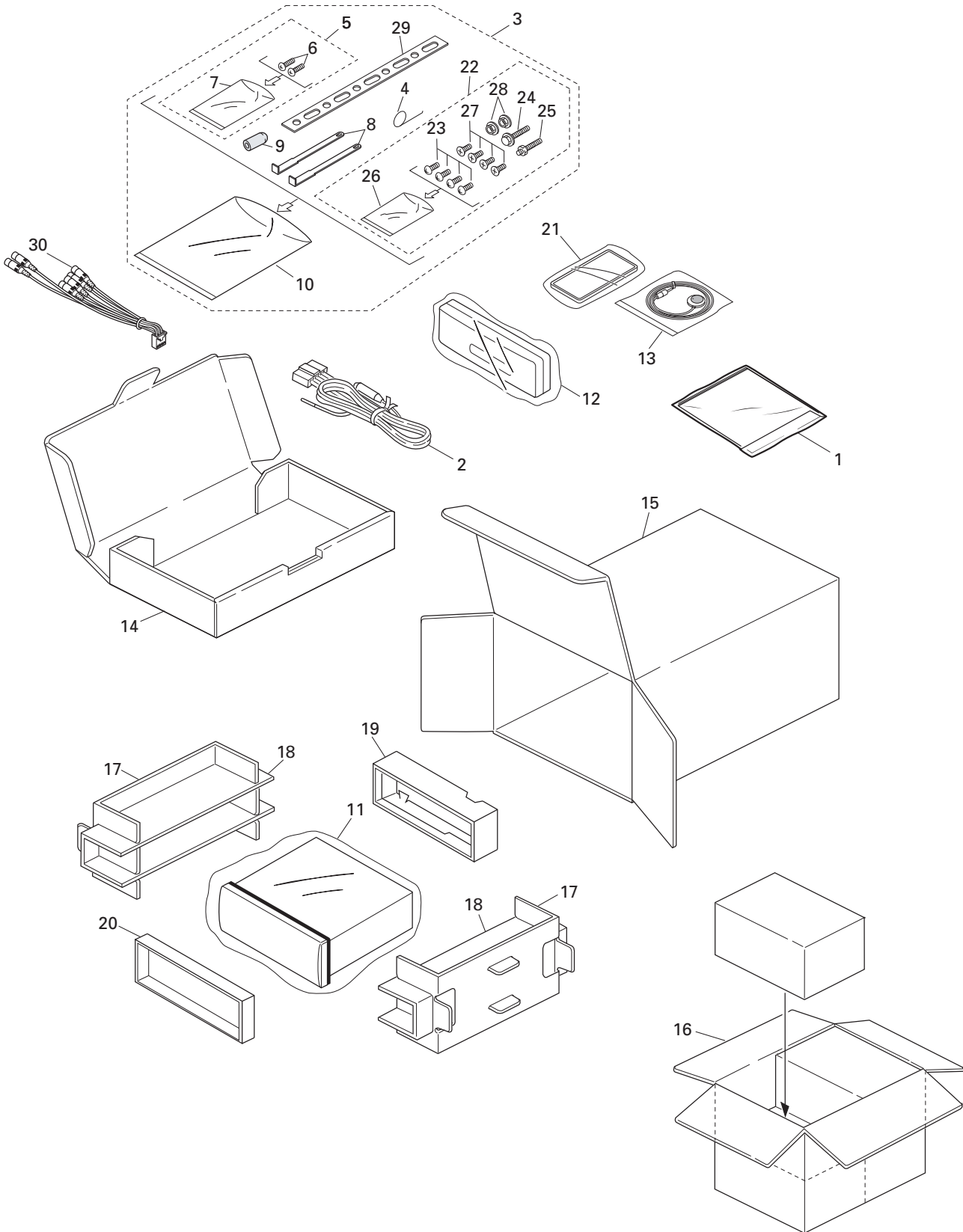
NOTES : • Parts marked by "\*" are generally unavailable because they are not in our Master Spare Parts List.

• Screw adjacent to ▽mark on the product are used for disassembly.

• For the applying amount of lubricants or glue, follow the instructions in this manual.

(In the case of no amount instructions, apply as you think it appropriate.)

## 2.1 PACKING(UC MODEL)



**PACKING(UC MODEL) SECTION PARTS LIST**

<u>Mark No.</u>	<u>Description</u>	<u>Part No.</u>	<u>Mark No.</u>	<u>Description</u>	<u>Part No.</u>
1-1	Owner's Manual(DEH-P960MP)	CRD3817	14	Sub Carton	CHA3258
	Owner's Manual(DEH-P9600MP)	CRD3819	15	Carton(DEH-P960MP)	CHG5205
1-2	Installation Manual(DEH-P960MP)	CRD3818		Carton(DEH-P7600MP)	CHG5204
	Installation Manual(DEH-P9600MP)	CRD3820	16	Contain Box(DEH-P960MP)	CHL5205
* 1-3	Warranty Card(DEH-P960MP)	CRY1070		Contain Box(DEH-P9600MP)	CHL5204
* 1-4	Card(DEH-P9600MP)	ARY1048	17	Protector	CHP2538
1-5	Polyethylene Bag	CEG1116	18	Protector	CHP2539
* 1-6	Caution Card	CRP1309	19	Protector	CHP2541
1-7	Caution Card	CRP1310	20	Protector	CHP2546
2	Cord Assy	CDE7701	21	Remote Control Unit	CXC2665
3	Accessory Assy	CEA4113	22	Screw Assy	CEA4115
4	Spring	CBH1650	23	Screw	BMZ50P060FTC
5	Screw Assy	CEA4117	24	Screw	CBA1783
6	Screw	BPZ20P060FZK	25	Screw	CBA1650
* 7	Polyethylene Bag	CEG-127	* 26	Polyethylene Bag	CEG-127
8	Handle	CNC5395	27	Screw	CMZ50P060FTC
9	Bush	CNV3930	28	Nut	NF50FTC
* 10	Polyethylene Bag	CEG-158	29	Strap	CNC5402
11	Polyethylene Bag	CEG1185	30	Cord Assy(DEH-P960MP)	CDE7436
12	Case Assy	CXB8574		Cord Assy(DEH-P9600MP)	CDE7437
13	MicrophoneAssy	CPM1054			

**Owner's Manual,Installation Manual**

<b>Part No.</b>	<b>Language</b>
CRD3817, CRD3818, CRD3819, CRD3820	English,French

# 2.2 PACKING(ES MODEL)

A

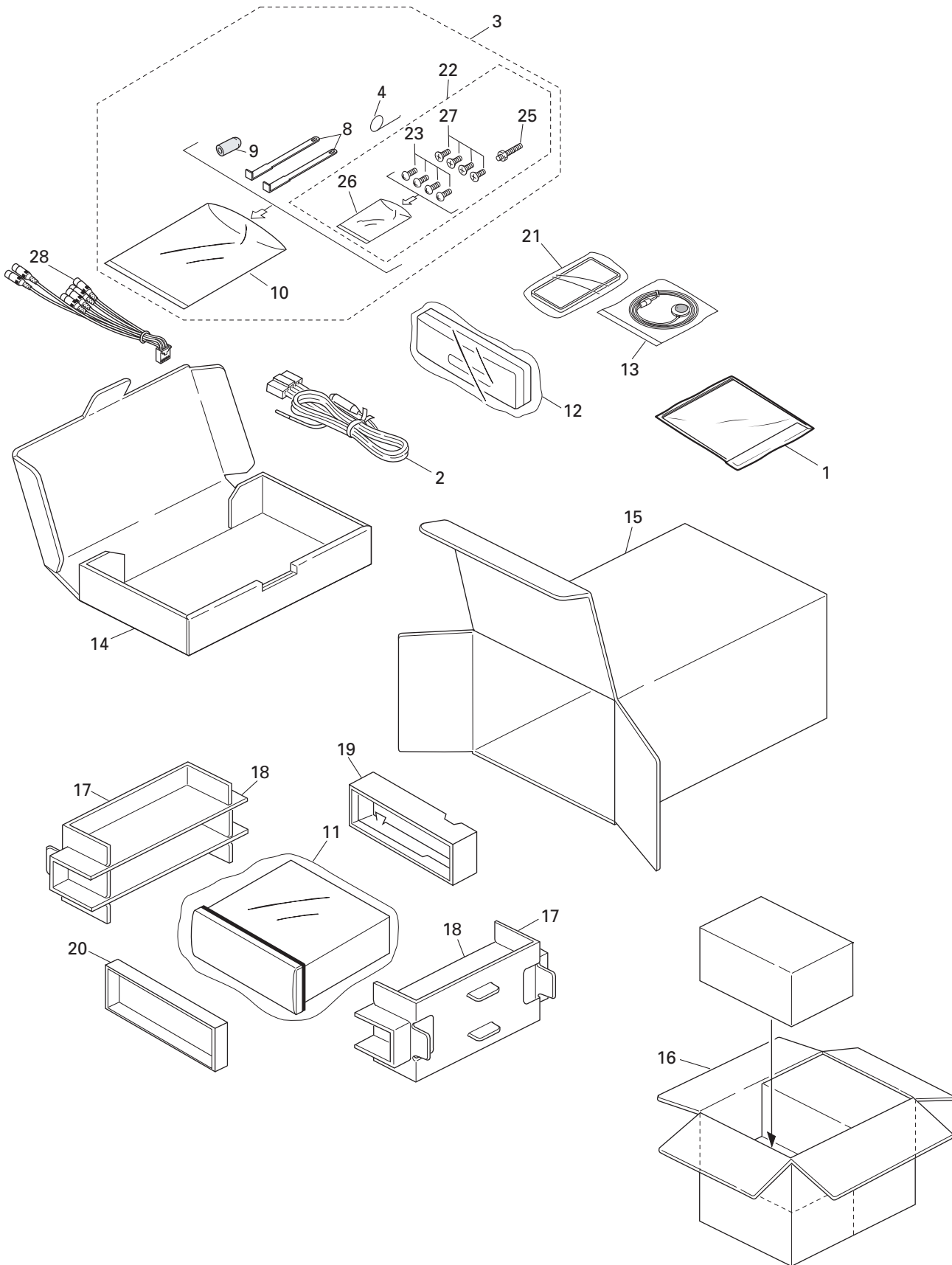
B

C

D

E

F



## PACKING(ES MODEL) SECTION PARTS LIST

<u>Mark No.</u>	<u>Description</u>	<u>Part No.</u>	<u>Mark No.</u>	<u>Description</u>	<u>Part No.</u>
1-1	Owner's Manual	CRD3821	14	Sub Carton	CHA3258
1-2	Owner's Manual	CRD3822	15	Carton	CHG5203
1-3	Installation Manual	CRD3823	16	Contain Box	CHL5203
* 1-4	Caution Card	CRP1310	17	Protector	CHP2538
1-5	Polyethylene Bag	CEG1116			
			18	Protector	CHP2539
* 1-6	Caution Card	CRP1309	19	Protector	CHP2541
2	Cord Assy	CDE7701	20	Protector	CHP2546
3	Accessory Assy	CEA4112	21	Remote Control Unit	CXC2665
4	Spring	CBH1650	22	Screw Assy	CEA4114
5-7	.....				
			23	Screw	BMZ50P060FTC
8	Handle	CNC5395	24	.....	
9	Bush	CNV3930	25	Screw	CBA1650
* 10	Polyethylene Bag	CEG-158	* 26	Polyethylene Bag	CEG-127
11	Polyethylene Bag	CEG1088	27	Screw	CMZ50P060FTC
12	Case Assy	CXB8574			
			28	Cord Assy	CDE7436
13	Microphone Assy	CPM1054			

### Owner's Manual,Installation Manual

<b>Part No.</b>	<b>Language</b>
CRD3821	English,Spanish,Portuguese(B)
CRD3822	Traditional Chinese,Arabic
CRD3823	English,Spanish,Portuguese(B),Traditional Chinese,Arabic

# 2.3 EXTERIOR(1)

A

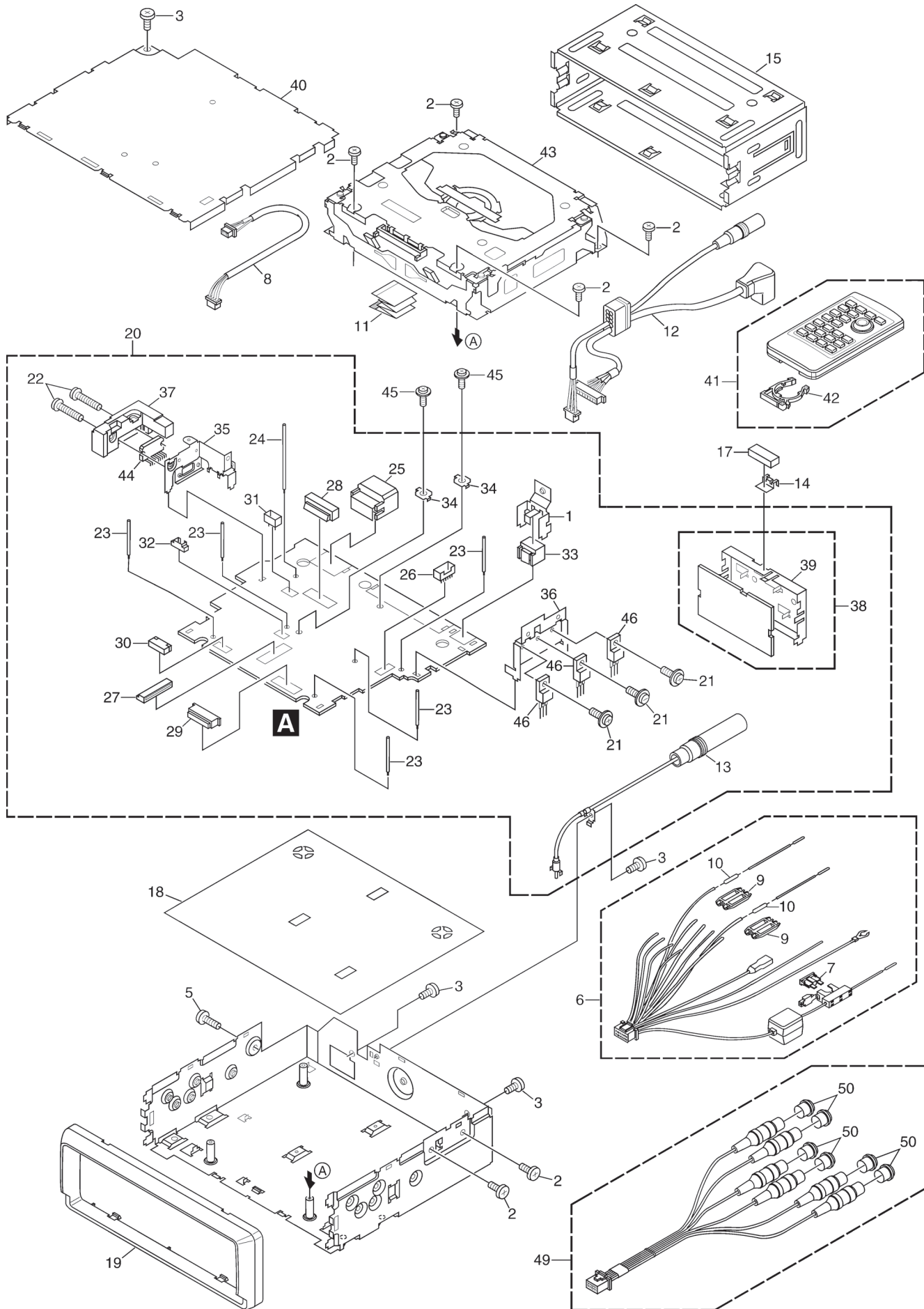
B

C

D

E

F



**(1) EXTERIOR(1) SECTION PARTS LIST**

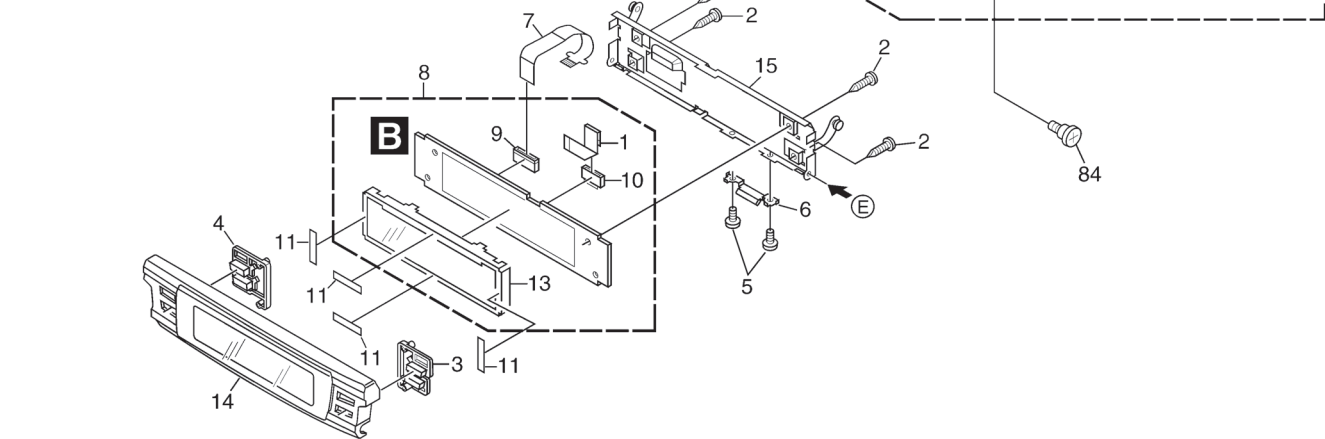
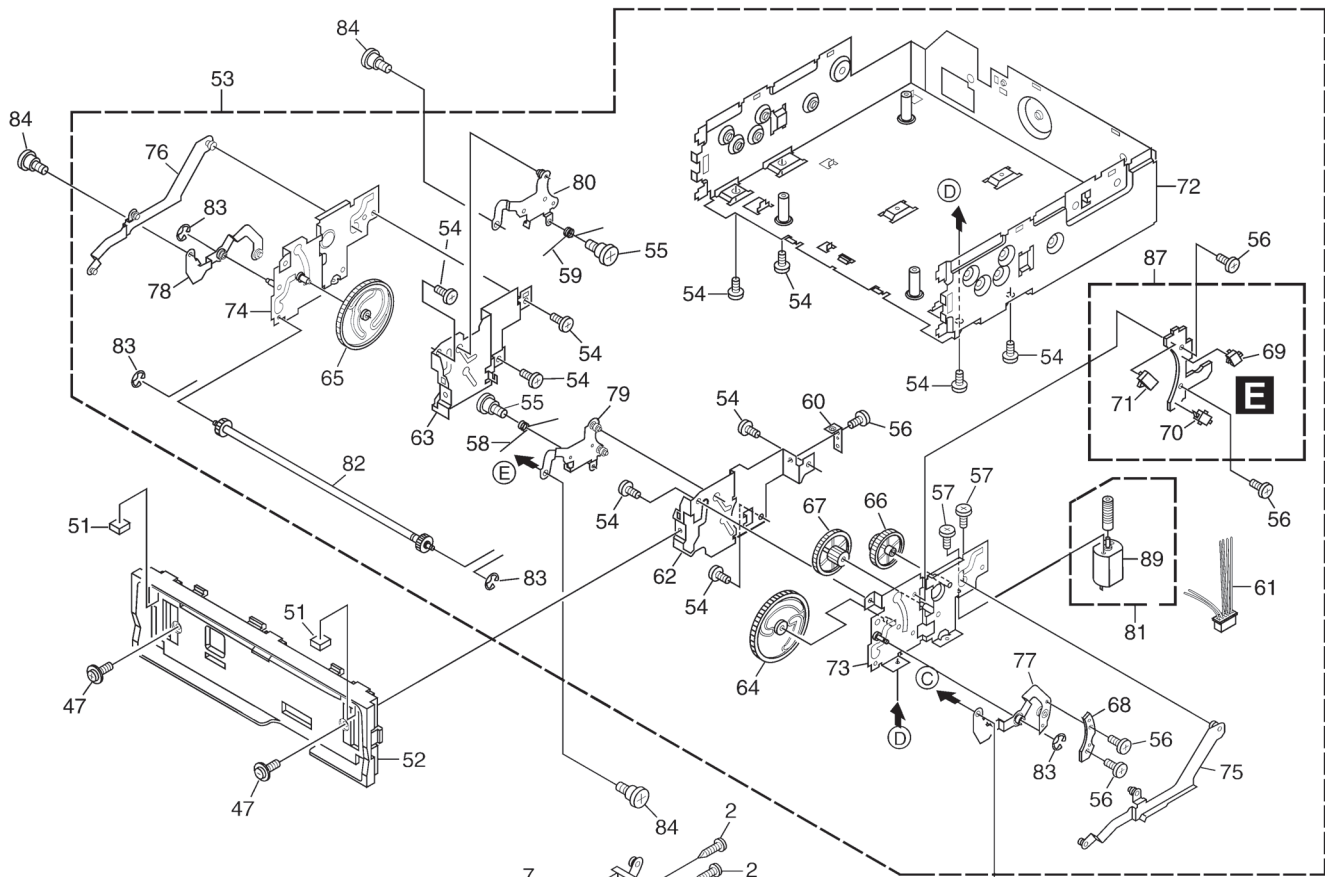
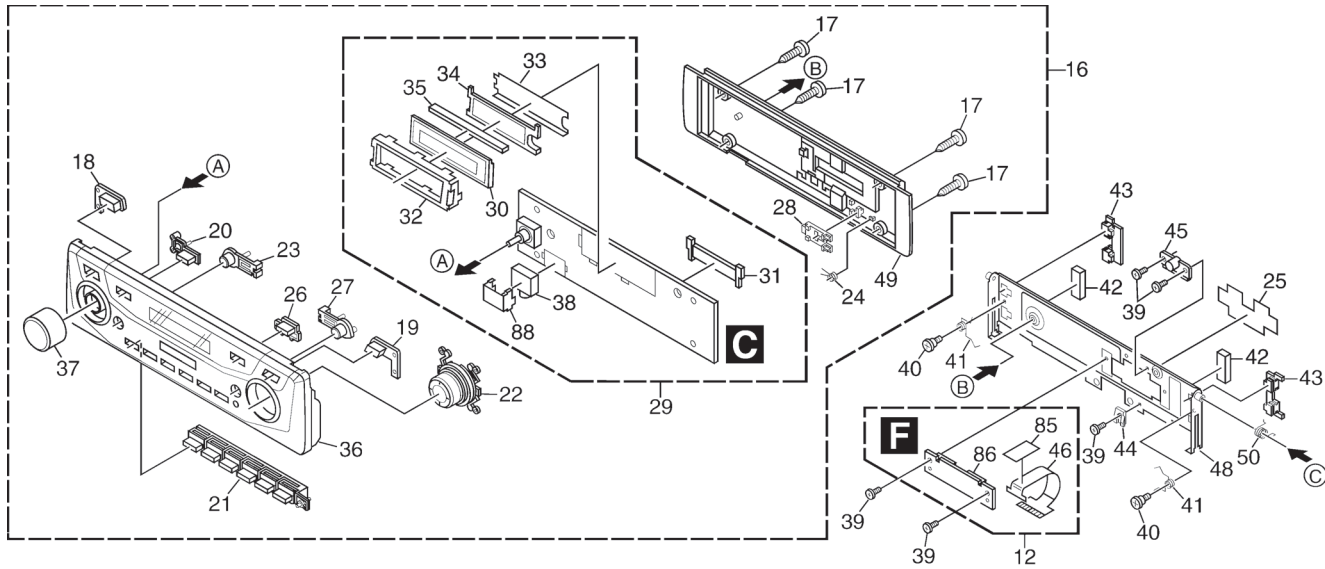
<u>Mark No.</u>	<u>Description</u>	<u>Part No.</u>	<u>Mark No.</u>	<u>Description</u>	<u>Part No.</u>
1	Holder	CND1979	26	Plug(CN811)	CKS-787
2	Screw	BSZ26P060FTC	27	Connector(CN701)	CKS3837
3	Screw	BSZ30P050FTC	*	28 Plug(CN101)	CKS1058
4	.....		29	Connector(CN872)	CKS1082
5	Screw	BSZ30P160FTC	*	30 Connector(CN871)	CKS2211
6	Cord Assy	CDE7701	31	Connector(CN771)	See Contrast table(2)
7	Fuse(10A)	CEK1136	32	Connector(CN703)	CKS3126
8	Cord Assy	CDE7439	33	Connector(CN351)	CKM1389
9	Cap	CNS1472	34	Holder	CNC5399
10	Resistor	RS1/2PMF102J	35	Holder	CNC9711
11	Flat Cable	CDE7440	36	Holder	CNC9713
12	Cord Assy	See Contrast table(2)	37	Heat Sink	CNR1615
13	Antenna Cable(CN401)	CDH1336	38	FM/AM Tuner Unit	CWE1646
14	Holder	CNC6469	39	Holder	CND1054
15	Holder	CNC8659	40	Case Unit	CXB8524
16	.....		41	Remote Control Assy	CXC2665
17	Cushion	CNM8890	42	Cover	CZN5357
18	Insulator	CNM8590	43	CD Mechanism Module(S10WMACODE2)CXK5676	
19	Panel	CNS6863	44	IC(IC301)	PAL007A
20	Tuner Amp Unit	See Contrast table(2)	45	Screw	ISS26P055FTC
21	Screw	ASZ26P080FTC	46	Transistor(Q742,901,921)	2SD2396
22	Screw	BMZ26P140FTC	47	.....	
23	Clamper	CEF1035	48	.....	
24	Clamper	CEF1036	49	Cord Assy	See Contrast table(2)
25	Plug(CN981)	CKM1278	50	Cap	CNV6727

**(2) CONTRAST TABLE**

DEH-P960MP/XN/UC , DEH-P9600MP/XN/UC and DEH-P9650MP/XN/ES are constructed the same except for the following:

<u>Mark</u>	<u>NO</u>	<u>Description</u>	<u>DEH-P960MP/XN/UC</u>	<u>DEH-P9600MP/XN/UC</u>	<u>DEH-P9650MP/XN/ES</u>
	14	Cord Assy	CDE7434	CDE7434	CDE7435
	20	Tuner Amp Unit	CWM9185	CWM9186	CWM9187
	31	Plug(CN771)	CKS1036	CKS1036	Not used
	49	Cord Assy	CDE7436	CDE7437	CDE7436

# 2.4 EXTERIOR(2)



**(1) EXTERIOR(2) SECTION PARTS LIST**

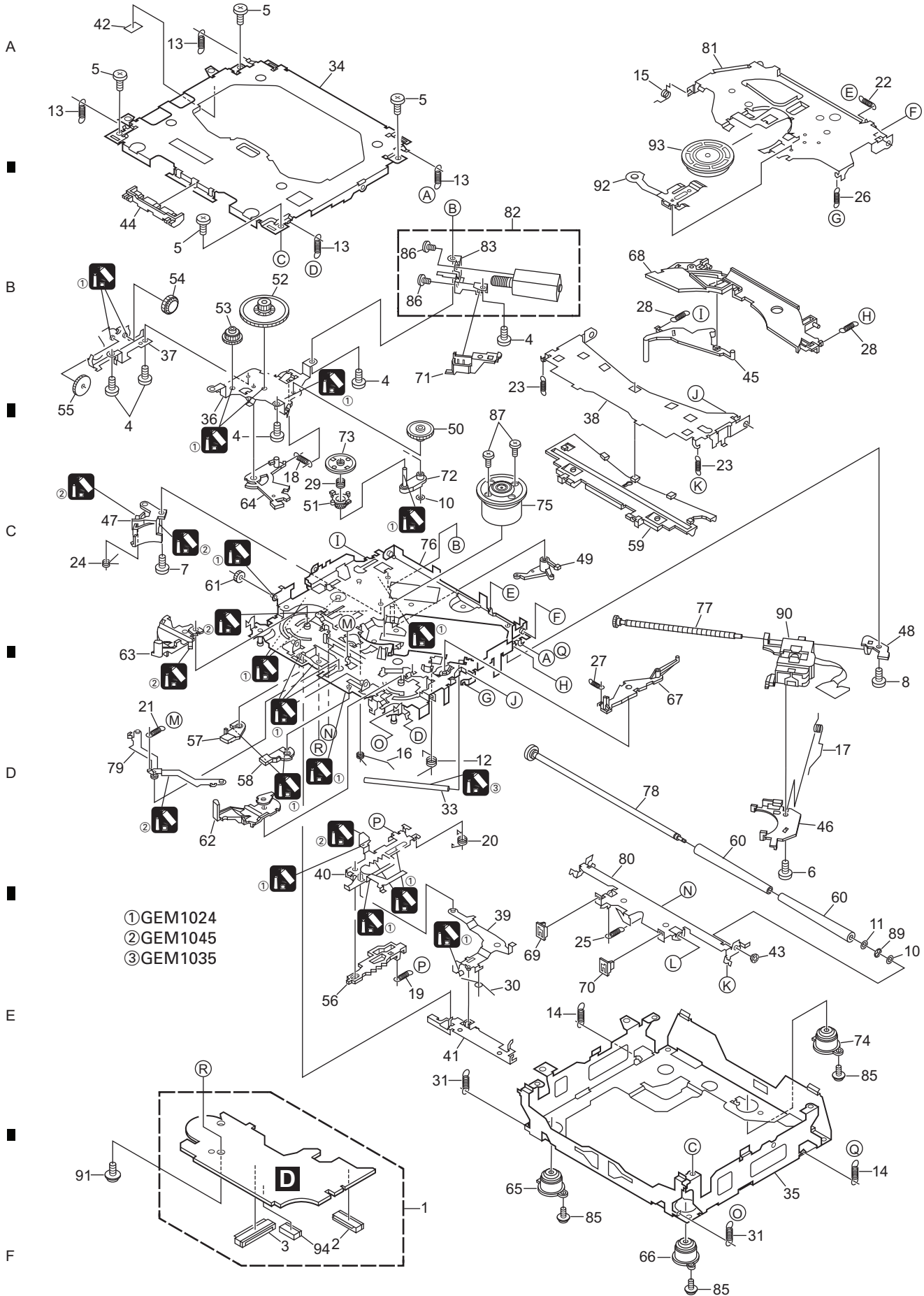
<b>Mark No.</b>	<b>Description</b>	<b>Part No.</b>	<b>Mark No.</b>	<b>Description</b>	<b>Part No.</b>
1	Cable	CDE7441	46	Flexible PCB	CNP7913
2	Screw	BPZ20P080FZK	47	Screw	ISS26P055FTC
3	Button(AUDIO,FUNC)	CAC8297	48	Case Unit	CXB7968
4	Button(ENT,DISP)	CAC8298	49	Cover Unit	CXC2453
5	Screw(M2x2)	CBA1633	50	Spring	CBH2545
6	Holder	CNC9800	51	Cushion	CNM8894
7	Flexible PCB	CNP6498	52	Panel Unit	CXB7953
8	Keyboard Unit(OEL)	CWM9191	53	Drive Unit	See Contrast table(2)
9	Connector(CN1801)	CKS4175	54	Screw	BMZ26P040FTC
10	Connector(CN1802)	CKS4792	55	Screw(M2x1.4)	CBA1757
11	Spacer	CNM8982	56	Screw(M2x2)	CBA1633
12	PCB Assy(Service)	CXX1799	57	Screw	JFZ20P030FTC
13	OEL Module	MXK8200	58	Spring	CBH2752
14	Grille Unit	See Contrast table(2)	59	Spring	CBH2753
15	Case Unit	CXC2406	60	Spring	CBL1658
16	Detach Grille Assy	See Contrast table(2)	61	Cord	CDE7587
17	Screw	BPZ20P080FZK	62	Holder	CND2244
18	Button(EJECT)	CAC8319	63	Holder	CND2245
19	Button(OPEN)	CAC8320	64	Gear	CNV8087
20	Button(CLK)	CAC8323	65	Gear	CNV8088
21	Button(1-6)	CAC8317	66	Gear	CNV8090
22	Button Assy(CROSS)	CXC3687	67	Gear	CNV8091
23	Button Unit(EQ)	CXC2450	68	Lever	CNV8092
24	Spring	CBH2543	69	Switch(S951)	CSN1051
25	Insulator	CNM8897	70	Spring Switch(S952)	CSN1052
26	Button(PAUSE)	CAC8324	71	Switch(S953)	CSN1058
27	Button Unit(BAND)	CXC2451	72	Chassis Unit	See Contrast table(2)
28	Arm	CNV6963	73	Holder Unit	CXC3023
29	Keyboard Unit(LCD)	CWM9194	74	Holder Unit	CXC3024
30	LCD(LCD1901)	CAW1704	75	Arm Unit	CXC3025
31	Connector(CN1901)	CKS4549	76	Arm Unit	CXC3026
32	Holder	CNC9648	77	Arm Unit	CXC3027
33	Sheet	CNM7512	78	Arm Unit	CXC3028
34	Lighting Conductor	CNV6914	79	Arm Unit	CXC3029
35	Connector	CNV6915	80	Arm Unit	CXC3030
36	Grille Unit	See Contrast table(2)	81	Motor Unit(M951)	CXC3190
37	Knob Unit	CXC3686	82	Gear Unit	CXC3094
38	Jack(CN1902)	CKN1016	83	Washer	YE15FTC
39	Screw(M2x2)	CBA1633	84	Screw(M2x1.5)	CBA1559
40	Screw	CBA1561	85	Sheet	CNM7839
41	Spring	CBH2530	86	PCB	CNX3607
42	Cushion	CNM8895	87	Switch Unit	CWS1370
43	Arm	CNV6962	88	Holder	CND1971
44	Guide	CNV6968	89	Motor	CXM1217
45	Guide	CNV6967			

**(2) CONTRAST TABLE**

DEH-P960MP/XN/UC , DEH-P9600MP/XN/UC and DEH-P9650MP/XN/ES are constructed the same except for the following:

<b>Mark</b>	<b>NO</b>	<b>Description</b>	<b>DEH-P960MP/XN/UC</b>	<b>DEH-P9600MP/XN/UC</b>	<b>DEH-P9650MP/XN/ES</b>
	14	Grille Unit	CXC2404	CXC2403	CXC2402
	16	Detach Grille Assy	CXC3181	CXC3180	CXC3179
	36	Grille Unit	CXC2519	CXC2518	CXC2517
	53	Drive Unit	CXC2514	CXC2515	CXC2514
	72	Chassis Unit	CXC2454	CXC2455	CXC2454

# 2.5 CD MECHANISM MODULE



- ① GEM1024
- ② GEM1045
- ③ GEM1035

## CD MECHANISM MODULE SECTION PARTS LIST

<u>Mark No.</u>	<u>Description</u>	<u>Part No.</u>	<u>Mark No.</u>	<u>Description</u>	<u>Part No.</u>	
1	CD Core Unit(S10WMA)	CWX2851				
2	Connector(CN101)	CKS4182	51	Gear	CNV7208	A
3	Connector(CN901)	CKS4017	52	Gear	CNV7209	
4	Screw	BMZ20P035FTC	53	Gear	CNV7210	
5	Screw	BSZ20P040FTC	54	Gear	CNV7211	
			55	Gear	CNV7212	
6	Screw(M2x4)	CBA1362				
7	Screw(M2x3)	CBA1511	56	Rack	CNV7214	
8	Screw(M2x3)	CBA1527	57	Arm	CNV7215	
9	.....		58	Arm	CNV7216	
10	Washer	CBF1038	59	Guide	CNV7217	
			60	Roller	CNV7218	B
11	Washer	CBF1060				
12	Spring	CBH2390	61	Gear	CNV7219	
13	Spring	CBH2606	62	Arm	CNV7221	
14	Spring	CBH2607	63	Arm	CNV7220	
15	Spring	CBH2608	64	Arm	CNV7222	
			65	Damper	CNV7313	
16	Spring	CBH2609				
17	Spring	CBH2610	66	Damper	CNV7314	
18	Spring	CBH2735	67	Arm	CNV7341	
19	Spring	CBH2612	68	Arm	CNV7342	
20	Spring	CBH2613	69	Guide	CNV7360	
			70	Guide	CNV7361	C
21	Spring	CBH2614				
22	Spring	CBH2615	71	Holder	CNV7437	
23	Spring	CBH2616	72	Arm	CNV7805	
24	Spring	CBH2617	73	Gear	CNV7595	
25	Spring	CBH2620	74	Damper	CNV7618	
			75	Motor Unit(M1)	CXB6007	
26	Spring	CBH2621				
27	Spring	CBH2641	76	Chassis Unit	CXC2318	
28	Spring	CBH2642	77	Screw Unit	CXB8729	
29	Spring	CBH2643	78	Gear Unit	CXC2397	
30	Spring	CBH2659	79	Arm Unit	CXC2316	D
			80	Arm	CND1896	
31	Spring	CBH2688				
32	.....		81	Arm	CND1894	
33	Shaft	CLA4441	82	Motor Unit(M2)	CXB8933	
34	Frame	CNC9962	83	Bracket	CNC9985	
35	Frame	CNC9963	84	.....		
			85	Screw(M2x5)	EBA1028	
36	Bracket	CNC9966				
37	Bracket	CND1895	86	Screw	JFZ20P020FTC	
38	Arm	CNC9968	87	Screw	JGZ17P022FTC	E
39	Arm	CND1909	88	.....		
40	Lever	CND2032	89	Washer	YE20FTC	
			90	Pickup Unit(P10)(Service)	CXX1641	
41	Lever	CNC9984				
42	Sheet	CNM8134	91	Screw	IMS26P030FTC	
43	Collar	CNV7798	92	Spring	CBL1635	
44	Guide	CNV7799	93	Clamper	CNV7197	
45	Arm	CNV7800	94	Connector(CN902)	CKS2193	
46	Rack	CNV7199				
47	Holder	CNV7201				F
48	Holder	CNV7202				
49	Arm	CNV7203				
50	Gear	CNV7207				

## 5. ELECTRICAL PARTS LIST

### NOTE:

⌘ Parts whose parts numbers are omitted are subject to being not supplied.

⌘ The part numbers shown below indicate chip components.

Chip Resistor

RS1/○S○○○○J,RS1/○○S○○○○J

Chip Capacitor (except for CQS.....)

CKS....., CCS....., CSZS.....

⌘ The ⚠ mark found on some component parts indicates the importance of the safety factor of the part.

Therefore, when replacing, be sure to use parts of identical designation.

### Circuit Symbol and No.

### Part No.

### Circuit Symbol and No.

### Part No.

Q 691	Transistor	2SD1767
Q 692	Transistor	IMD2A
Q 741	Transistor	IMD2A
Q 742	Transistor	2SD2396

Q 743	Transistor	2SD1767
Q 744	Transistor	IMD2A
Q 751	Transistor	2SC3052-12
Q 752	Transistor	IMD2A
Q 811	Transistor	2SD1760F5

Q 812	Transistor	IMD3A
Q 833	Transistor	DTC114EU
Q 834	Transistor	2SC2412K
Q 835	Transistor	IMD2A
Q 841	Transistor	2SD1760F5

Q 842	Transistor	IMD2A
Q 851	Transistor	2SB808
Q 852	Transistor	DTC114EU
Q 861	Transistor	2SB808
Q 862	Transistor	DTC114EU

Q 901	Transistor	2SD2396
Q 902	Transistor	IMD2A
Q 921	Transistor	2SD2396
Q 922	Transistor	2SB1243
Q 923	Transistor	DTC114EU

Q 931	Transistor	IMX1
Q 941	Transistor	DTC114EU
Q 951	Transistor	2SA1037K
Q 961	Transistor	2SC2412K
Q 962	Transistor	2SD1767

Q 963	Transistor	IMD2A
Q 964	Transistor	2SA1235A-12
Q 965	Transistor	DTC114EU
D 301	Diode	MPG06G-6415G50
D 302	Diode	MPG06G-6415G50

D 321	Diode	UDZS3R9(B)
D 322	Diode	RB706F-40
D 361	Diode	1SS133
D 501	Diode	DAN202U
D 502	Diode	HZS9L(A2)

D 571	Diode(P960MP,P9650MP)	1SS396
D 671	Diode	1SR154-400
D 672	Diode	1SR154-400
D 673	Diode	1SR154-400
D 691	Diode	HZS12L(A1)

D 741	Diode	HZS9L(B1)
D 742	Diode	HZS6L(C1)

# A

Unit Number:CWM9185(P960MP)

Unit Number:CWM9186(P9600MP)

Unit Number:CWM9187(P9650MP)

Unit Name:Tuner Amp Unit

### MISCELLANEOUS

IC 101	IC	HA12240FP
IC 131	IC	PML011A
IC 171	IC	NJM4558MD
IC 172	IC	NJM4558MD
IC 173	IC	NJM4558MD

IC 201	IC	NJM4558MD
IC 211	IC	PCM1606EG
IC 231	IC	NJM2100V
IC 251	IC	TC74VHC08FT
IC 252	IC	TC74VHC08FT

IC 271	IC	AK7730VT
IC 272	IC	TC7SH08FU
IC 301	IC	PAL007A
IC 321	IC	NJM4558MD
IC 322	IC	NJM4558MD

IC 571	IC	PA2028A
IC 601	IC(P960MP,P9600MP) IC(P9650MP)	PD5914A PD5915A
IC 651	IC	BD4835G
IC 671	IC	NJM2391DL1-33

IC 681	IC	S-818A33AUC-BGN
IC 691	IC	BA05FP
IC 811	IC	BA6288FS
IC 871	IC	TC74VHCT125AFT
Q 101	Transistor	UMF23N

Q 301	Transistor	DTC124EU
Q 321	Transistor	IMD2A
Q 351	Transistor(P960MP,P9650MP)HN1C03F Transistor(P9600MP)	IMH3A
Q 352	Transistor(P960MP,P9650MP)HN1C03F	

Q 353	Transistor(P9600MP)	IMH3A
Q 353	Transistor(P960MP,P9650MP)HN1C03F Transistor(P9600MP)	IMH3A

Q 364	Transistor	IMD2A
Q 501	Transistor	2SC2412K

Q 651	Transistor	2SC2412K
-------	------------	----------

<u>Circuit Symbol and No.</u>		<u>Part No.</u>	<u>Circuit Symbol and No.</u>	<u>Part No.</u>
D 751	Diode	MA3039(L)		
D 811	Diode	HZS7L(C3)		
D 812	Diode	1SS133		
D 813	Diode	1SS133		
D 841	Diode	HZS6L(A2)		
D 842	Diode	HZS9L(A1)		
D 843	Diode	HZS9L(C2)		
D 873	Diode Network	DA204U		
D 874	Diode	DAN202U		
D 875	Diode	DAP202U		
D 876	Diode	DAN202U		
D 877	Diode	DAP202U		
D 878	Diode	DAN202U		
D 879	Diode	DAP202U		
D 901	Diode	MPG06G-6415G50		
D 902	Diode	HZS6L(B1)		
D 921	Diode	HZS9L(B2)		
D 931	Diode	HZS7L(C3)		
D 932	Diode	HZS7L(A1)		
D 941	Diode	MPG06G-6415G50		
D 951	Diode	DAN202U		
D 961	Diode	HZS11L(A1)		
D 962	LED	SML310BA1T		
D 981	Diode	MPG06G-6415G50		
D 982	Diode	MPG06G-6415G50		
ZNR401	Surge Protector	DSP-201M-A21F		
L 101	Inductor	LCTA2R2J2520		
L 131	Inductor	LAYU2R2K		
L 191	Inductor	LAYU2R2K		
L 201	Inductor	LAYU2R2K		
L 211	Inductor	CTF1379		
L 251	Inductor	CTF1379		
L 252	Inductor	CTF1379		
L 271	Inductor	CTF1379		
L 272	Inductor	CTF1389		
L 273	Inductor	CTF1389		
L 275	Inductor	CTF1389		
L 401	Inductor	LAYU1R0K		
L 402	Inductor	LAYU100K		
L 403	Inductor	LAYU1R0K		
L 404	Inductor	LAYU4R7K		
L 572	Ferri-Inductor	LAU101K		
L 601	Inductor	LAYU100K		
L 681	Inductor	CTF1530		
L 682	Inductor	CTF1530		
L 701	Inductor	LAYU100K		
L 841	Inductor	LAYU2R2K		
L 851	Inductor	LAYU100K		
L 861	Chip Felight Beads	CTF1399		
L 871	Inductor	CTF1379		
L 951	Inductor	LAYU2R2K		
X 271	Oscillator 16.934MHz	CSS1620		
X 601	Crystal Resonator 15.000MHz	CSS1653		
S 391	Slide Switch(DSP MODE) (P960MP,P9650MP)	CSH1051		
VR321	Semi-fixed 10kΩ(B)	CCP1229		
FU351	Fuse 3A $\Delta$	CEK1286		
MIC321	Microphone	CPM1011		
BZ381	Buzzer FM/AM Tuner Unit	CPV1062 CWE1646		

**RESISTORS**

R 101	RS1/16S562J
R 102	RS1/16S332J
R 103	RS1/16S181J
R 104	RS1/16S181J
R 105	RS1/16S223J
R 106	RS1/16S223J
R 107	RS1/16S102J
R 108	RS1/16S102J
R 109	RS1/16S222J
R 110	RS1/16S101J
R 111	RS1/16S101J
R 112	RS1/16S102J
R 113	RS1/16S150J
R 114	RS1/16S470J
R 131	RAB4C0R0J
R 132	RS1/16S0R0J
R 133	RS1/16S0R0J
R 134	RS1/16S682J
R 135	RS1/16S103J
R 136	RS1/16S103J
R 137	RS1/16S153J
R 171	RS1/16S223J
R 172	RS1/16S223J
R 173	RS1/16S223J
R 174	RS1/16S223J
R 175	RS1/16S223J
R 176	RS1/16S223J
R 177	RS1/16S682J
R 178	RS1/16S682J
R 179	RS1/16S682J
R 180	RS1/16S682J
R 181	RS1/16S682J
R 182	RS1/16S682J
R 183	RS1/16S682J
R 184	RS1/16S682J
R 185	RS1/16S682J
R 186	RS1/16S682J
R 187	RS1/16S682J
R 188	RS1/16S682J
R 189	RS1/16S101J
R 190	RS1/16S101J
R 191	RS1/16S101J
R 192	RS1/16S101J
R 193	RS1/16S101J
R 194	RS1/16S101J
R 195	RS1/16S122J
R 196	RS1/16S122J
R 197	RS1/16S122J
R 198	RS1/16S122J
R 199	RS1/16S122J
R 200	RS1/16S122J
R 201	RS1/16S473J
R 202	RS1/16S473J
R 203	RS1/16S473J
R 204	RS1/16S433J
R 211	RS1/16S103J
R 212	RS1/16S103J

Circuit Symbol and No.Part No.Circuit Symbol and No.Part No.

R 213	RS1/16S102J	R 355	RS1/16S820J
R 231	RS1/16S223J	R 356	RS1/16S820J
R 232	RS1/16S223J	R 357	RS1/16S223J
R 233	RS1/16S223J	R 358	RS1/16S223J
R 234	RS1/16S223J	R 359	RS1/16S223J
R 235	RS1/16S223J	R 360	RS1/16S223J
R 236	RS1/16S223J	R 361	RS1/16S223J
R 237	RS1/16S331J	R 362	RS1/16S223J
R 238	RS1/16S331J	R 363	RS1/16S471J
R 239	RS1/16S331J	R 364	RS1/16S471J
R 240	RS1/16S331J	R 365	RS1/16S471J
R 251	RAB4C681J	R 366	RS1/16S471J
R 252	RS1/16S681J	R 367	RS1/16S471J
R 253	RS1/16S681J	R 368	RS1/16S471J
R 254	RS1/16S681J	R 369	(P960MP,P9650MP)
R 255	RAB4C681J		(P9600MP)
R 256	RS1/16S153J	R 370	(P960MP,P9650MP)
R 257	RS1/16S153J		(P9600MP)
R 258	RS1/16S153J	R 371	(P960MP,P9650MP)
R 259	RS1/16S223J		(P9600MP)
R 260	RS1/16S223J	R 372	(P960MP,P9650MP)
R 261	RS1/16S223J		(P9600MP)
R 271	RS1/16S101J	R 373	(P960MP,P9650MP)
R 273	RS1/16S101J		(P9600MP)
R 274	RS1/16S101J	R 374	(P960MP,P9650MP)
R 275	RS1/16S101J		(P9600MP)
R 276	RS1/16S101J	R 381	RS1/16S102J
R 278	RS1/16S101J	R 389	RS1/16S102J
R 279	RS1/16S101J	R 391	RS1/16S102J
R 280	RS1/16S222J	R 392	RS1/16S104J
R 281	RS1/16S681J	R 401	RS1/16S681J
R 282	RS1/16S101J	R 403	RS1/16S681J
R 285	RS1/16S562J	R 404	RS1/16S681J
R 286	RS1/16S0R0J	R 405	RS1/16S681J
R 287	RS1/16S0R0J	R 406	RS1/16S681J
R 288	RS1/16S0R0J	R 407	RS1/16S681J
R 289	RS1/16S681J	R 501	RS1/16S103J
R 290	RS1/16S681J	R 502	RS1/16S473J
R 301	RS1/16S103J	R 504	RS1/16S473J
R 302	RS1/16S103J	R 571	RS1/16S103J
R 303	RS1/16S103J	R 572	RS1/16S103J
R 304	RS1/16S331J	R 575	(P9600MP)
R 321	RS1/16S104J	R 601	RS1/16S0R0J
R 322	RS1/16S152J	R 602	RS1/16S0R0J
R 323	RS1/16S222J	R 605	(P960MP)
R 324	RS1/16S152J	R 606	(P9600MP)
R 327	RS1/16S102J	R 607	RS1/16S473J
R 328	RS1/16S101J	R 608	RS1/16S0R0J
R 329	RS1/16S563J	R 609	RS1/16S104J
R 330	RS1/16S103J	R 610	RS1/16S681J
R 331	RS1/16S103J	R 611	RS1/16S0R0J
R 332	RS1/16S153J	R 613	RS1/16S473J
R 333	RS1/16S104J	R 614	(P960MP,P9600MP)
R 334	RS1/16S153J	R 615	(P960MP,P9600MP)
R 335	RS1/16S104J	R 616	(P960MP,P9600MP)
R 336	RS1/16S223J	R 617	(P960MP,P9600MP)
R 351	RS1/16S820J	R 618	RS1/16S472J
R 352	RS1/16S820J	R 619	RS1/16S472J
R 353	RS1/16S820J	R 620	RS1/16S472J
R 354	RS1/16S820J	R 621	RS1/16S681J

<u>Circuit Symbol and No.</u>	<u>Part No.</u>	<u>Circuit Symbol and No.</u>	<u>Part No.</u>
R 622	RS1/16S681J	R 877	RS1/16S222J
R 623	RS1/16S681J	R 878	RS1/16S222J
R 624	RS1/16S104J	R 879	RS1/16S222J
R 625	RS1/16S104J	R 880	RS1/16S222J
R 626	RS1/16S104J	R 881	RS1/16S222J
R 627	RS1/16S104J	R 882	RS1/16S473J
R 628	RS1/16S473J	R 883	RS1/16S104J
R 629	RS1/16S473J	R 884	RS1/16S473J
R 630	RS1/16S473J	R 901	RS1/16S223J
R 631	RS1/16S102J	R 902	RS1/16S272J
R 632	RS1/16S102J	R 922	RS1/16S821J
R 642	RS1/16S104J	R 923	RD1/4PU182J
R 651	RS1/16S102J	R 924	RS1/16S223J
R 652	RS1/16S102J	R 925	RS1/16S223J
R 653	RS1/16S222J	R 931	RS1/16S104J
R 654	RS1/16S473J	R 932	RS1/16S473J
R 655	RS1/16S183J	R 933	RS1/16S103J
R 691	RS1/16S271J	R 934	RS1/16S473J
R 702	RS1/16S473J	R 935	RS1/16S472J
R 703	RS1/16S682J	R 943	RS1/16S103J
R 704	RS1/16S682J	R 951	RS1/16S102J
R 705	RS1/16S682J	R 952	RS1/16S472J
R 706	RS1/16S682J	R 953	RS1/16S472J
R 707	RS1/16S221J	R 954	RS1/16S153J
R 708	RS1/16S221J	R 961	RS1/16S151J
R 709	RS1/16S221J	R 962	RS1/16S103J
R 710	RS1/16S221J	R 963	RS1/16S562J
R 711	RS1/16S221J	R 964	RD1/4PU391J
R 712	RS1/16S221J	R 965	RS1/16S1R0J
R 715	RS1/16S681J	R 967	RS1/16S472J
R 717	RS1/16S681J	R 968	RS1/16S103J
R 741	RD1/4PU391J		
R 743	RS1/16S331J		
		<b><u>CAPACITORS</u></b>	
R 751	RS1/16S104J	C 102	CKSRYB104K25
R 752	RS1/16S222J	C 103	CKSRYB102K50
R 753	RS1/16S561J	C 104	CKSRYB102K50
R 754	RS1/16S683J	C 131	CEJQ4R7M35
R 755	RS1/16S153J	C 132	CEJQ4R7M35
R 756	RS1/16S682J	C 133	CEJQ4R7M35
R 757	RS1/16S152J	C 134	CEJQ4R7M35
R 811	RS1/16S102J	C 135	CEJQ4R7M35
R 812	RS1/16S102J	C 136	CEJQ4R7M35
R 813	RD1/4PU271J	C 137	CKSRYB472K50
R 814	RAB4C102J	C 138	CKSRYB472K50
R 815	RAB4C104J	C 139	CKSQYB225K10
R 841	RS1/16S1R0J	C 140	CKSQYB225K10
R 843	RD1/4PU271J	C 141	CKSRYB104K25
R 850	RS1/16S332J	C 142	CSZS100M10
R 851	RS1/16S222J	C 143	CSZS100M10
R 852	RS1/16S102J	C 145	CKSRYB104K25
R 853	RS1/16S472J	C 146	CKSQYB225K10
R 861	RS1/16S102J	C 147	CKSRYB104K25
R 862	RS1/16S472J	C 148	CKSRYB104K25
R 863	RS1/16S222J	C 149	CKSRYB105K10
R 871	RS1/16S222J	C 150	CEJQ2R2M50
R 872	RS1/16S222J	C 151	CEJQ2R2M50
R 873	RS1/16S104J	C 152	CEJQ2R2M50
R 874	RS1/16S104J	C 153	CEJQ2R2M50
R 875	RS1/16S222J	C 171	C CSRCH681J50
R 876	RS1/16S471J		

Circuit Symbol and No.Part No.Circuit Symbol and No.Part No.

A	C 172	CCSRCH681J50	C 306		CKSRYB474K10
	C 173	CCSRCH681J50	C 307		CKSRYB474K10
	C 174	CCSRCH681J50	C 308		CKSRYB474K10
	C 175	CCSRCH681J50	C 309		CEHAR330M10
	C 176	CCSRCH681J50	C 310	3300 $\mu$ F/16V	CCH1486
	C 177	CCSRCH331J50	C 311		CKSRYB104K25
	C 178	CCSRCH331J50	C 312		CEHAR100M16
	C 179	CCSRCH331J50	C 313		CKSQYB225K10
	C 180	CCSRCH331J50	C 314		CKSQYB225K10
	C 181	CCSRCH331J50	C 321		CKSRYB105K10
	C 182	CCSRCH331J50	C 322		CKSRYB105K10
	C 183	CKSRYB104K25	C 325		CCSRCH101J50
	C 184	CKSRYB104K25	C 326		CKSRYB105K10
B	C 185	CKSRYB104K25	C 327		CEALNP4R7M16
	C 201	CKSRYB104K25	C 328		CKSRYB105K10
	C 202	CEJQ100M16	C 329		CEALNP4R7M16
	C 203	CEJQ100M16	C 330		CKSRYB474K10
	C 211	CSZS100M16	C 331		CKSRYB104K25
	C 212	CKSRYB104K25	C 332		CEAL100M16
	C 213	CSZS100M10	C 333		CKSRYB105K10
	C 214	CKSRYB104K25	C 334		CKSRYB105K10
	C 221	CEJQ100M16	C 351		CEJQ100M50
	C 222	CEJQ100M16	C 352		CEJQ100M50
	C 223	CEJQ100M16	C 353		CEJQ100M50
C	C 224	CEJQ100M16	C 354		CEJQ100M50
	C 225	CEJQ100M16	C 355		CEJQ100M50
	C 226	CEJQ100M16	C 356		CEJQ100M50
	C 231	CCSRCH220J50	C 357		CKSRYB222K50
	C 232	CCSRCH220J50	C 358		CKSRYB222K50
	C 233	CSZS100M10	C 359		CKSRYB222K50
	C 234	CSZS100M10	C 360		CKSRYB222K50
	C 235	CKSRYB104K25	C 361		CKSRYB222K50
	C 236	CKSRYB332K50	C 362		CKSRYB222K50
	C 237	CKSRYB332K50	C 371		CKSRYB102K50
D	C 251	CKSRYB104K25	C 373		CEHAR220M16
	C 252	CKSRYB104K25	C 401		CKSRYB103K50
	C 271	CKSRYB104K25	C 402		CKSRYB103K50
	C 272	CKSRYB104K25	C 403		CEJQ470M10
	C 273	CCSRCH680J50	C 404		CKSRYB103K50
	C 275	CCSRCH100D50	C 405		CEJQ101M10
	C 276	CCSRCH100D50	C 407		CKSYB475K10
	C 277	CKSRYB104K25	C 571		CKSRYB105K10
	C 278	CKSQYB682K50	C 572		CKSRYB105K10
	C 279	CSZS100M10	C 573		CKSRYB105K10
	C 280	CKSRYB104K25	C 574		CKSRYB105K10
E	C 281	CKSRYB104K25	C 575		CKSRYB105K10
	C 282	CSZS100M10	C 576		CKSRYB105K10
	C 283	CKSRYB104K25	C 580		CEAL4R7M35
	C 284	CSZS100M10	C 582		CEJQ101M16
	C 286	CKSRYB103K50	C 583		CASAQ3R3M16
	C 287	CCSRCH560J50	C 585		CKSYB684K25
	C 291	CKSRYB102K50	C 586		CEAL100M16
	C 292 (P9650MP)	CCSRCH101J50	C 587		CKSQYB225K10
	C 293 (P9650MP)	CKSRYB102K50	C 588		CEJQ330M25
	C 297 (P960MP,P9600MP)	CKSRYB102K50	C 589		CEJQ330M25
	C 301	CKSRYB474K10	C 590	(P960MP,P9650MP)	CEJQ330M25
F	C 302	CKSRYB474K10	C 591	(P960MP,P9650MP)	CEJQ330M25
	C 303	CKSRYB474K10	C 601		CSZS4R7M16
	C 304	CKSRYB474K10	C 602		CKSRYB103K50
	C 305	CKSRYB474K10	C 603		CCSRCH180J50

<u>Circuit Symbol and No.</u>	<u>Part No.</u>
C 604	CCSRCH101J50
C 605	CCSRCH180J50
C 652	CKSRYB104K25
C 653	CKSRYB105K10
C 671	CEJQ220M6R3
C 672	CKSRYB103K50
C 673	CKSYB475K10
C 681	CKSRYB474K10
C 682	CKSRYB103K50
C 683	CEJQ220M6R3
C 684	CKSRYB105K10
C 685	CKSRYB105K10
C 686	CEJQ101M6R3
C 687	CEJQ101M6R3
C 688	CKSRYB104K25
C 689	CKSRYB104K25
C 691	CKSQYB474K16
C 692	CKSRYB103K50
C 693	CEJQ101M6R3
C 694	CKSRYB104K25
C 701	CCH1438
C 741	CKSRYB473K50
C 742	CKSRYB102K50
C 743	CEJQ101M16
C 744	CKSRYB473K50
C 745	CEJQ101M16
C 751	CKSRYB681K50
C 752	CEJQ101M6R3
C 753	CKSQYB225K10
C 811	CCSRCH101J50
C 812	CEJQ220M16
C 813	CKSRYB104K25
C 814	CKSRYB102K50
C 815	CKSRYB102K50
C 816	CCSRCH101J50
C 837	CKSRYB103K50
C 841	CEJQ470M16
C 842	CKSRYB104K25
C 843	CCSRCH101J50
C 844	CEJQ330M25
C 851	CKSRYB104K25
C 852	CKSRYB104K25
C 853	CEJQ470M10
C 861	CKSRYB104K25
C 862	CEJQ470M10
C 863	CKSRYB104K25
C 871	CKSRYB473K50
C 901	CCH1331
C 902	CCH1459
C 903	CKSRYB472K50
C 904	CKSRYB103K50
C 905	CEJQ470M10
C 921	CEJQ221M10
C 922	CKSRYB103K50
C 923	CEJQ101M16
C 931	CKSRYB104K25
C 941	CKSQYB105K16
C 961	CKSRYB473K50
C 962	CKSRYB104K25

470µF/10V

470µF/16V

470µF/16V

Circuit Symbol and No.      Part No.

**B****Unit Number:CWM9191****Unit Name:Keyboard Unit(OEL)****MISCELLANEOUS**

IC 1802	IC	S-818A33AUC-BGN
IC 1805	IC	PD5917A
IC 1806	IC	PD8122A
IC 1807	IC	PD6460A
IC 1808	IC	TC7WH32FK
D 1803	Diode	1SS355
D 1808	LED	SML310BA1T
D 1809	LED	SML310BA1T
D 1810	LED	SML310BA1T
D 1811	LED	SML310BA1T
L 1801	Inductor	CTF1530
L 1802	Inductor	CTF1484
L 1803	Inductor	CTF1530
L 1804	Chip Felight Beads	CTF1399
X 1801	Radiator 10.0MHz	CSS1577
S 1801	Push Switch	CSG1111
S 1802	Push Switch	CSG1111
S 1803	Push Switch	CSG1111
S 1804	Push Switch	CSG1111
	OEL Module	MXK8200

**RESISTORS**

R 1807	RS1/16SS222J
R 1808	RS1/16SS222J
R 1809	RS1/16SS271J
R 1810	RS1/16SS271J
R 1811	RS1/16SS473J
R 1812	RS1/16SS104J
R 1815	RS1/16SS101J
R 1816	RS1/16SS101J
R 1817	RS1/16SS101J
R 1818	RS1/16SS101J
R 1819	RAB4CQ681J
R 1820	RS1/16SS222J
R 1821	RS1/16SS154J
R 1822	RS1/16SS473J
R 1823	RS1/16SS0R0J
R 1824	RS1/16SS473J
R 1825	RS1/16SS473J
R 1826	RS1/16SS473J
R 1827	RS1/16SS0R0J
R 1828	RS1/16SS0R0J
R 1829	RS1/16SS473J
R 1830	RS1/16SS473J
R 1832	RS1/16SS0R0J
R 1835	RAB4CQ681J
R 1836	RAB4CQ681J
R 1837	RAB4CQ681J
R 1838	RAB4CQ681J
R 1839	RAB4CQ681J
R 1840	RAB4CQ681J
R 1841	RAB4CQ681J
R 1842	RAB4CQ681J
R 1843	RAB4CQ681J

**Circuit Symbol and No.****Part No.****Circuit Symbol and No.****Part No.**

R 1844	RAB4CQ681J
R 1845	RS1/16SS473J
R 1846	RS1/16SS473J
R 1847	RS1/16SS473J
R 1849	RS1/16SS392J
R 1850	RS1/16SS682J
R 1851	RAB4CQ221J
R 1852	RS1/16SS221J
R 1853	RS1/16SS221J
R 1854	RS1/16SS0R0J
R 1856	RS1/16SS0R0J
R 1857	RS1/16SS0R0J

S 1902	Encoder	CSD1104
S 1903	Push Switch	CSG1111
S 1904	Push Switch	CSG1111
S 1905	Push Switch	CSG1111
S 1906	Push Switch	CSG1111
S 1907	Push Switch	CSG1111
S 1908	Push Switch	CSG1111
S 1909	Push Switch	CSG1111
S 1911	Push Switch	CSG1111
S 1912	Push Switch	CSG1111
S 1913	Push Switch	CSG1111
S 1914	Push Switch	CSG1111

**CAPACITORS**

C 1805	CKSRYB105K10
C 1806	CSZSP4R7M10
C 1807	CKSQYB225K10
C 1808	CKSRYB474K10
C 1809	CKSSYB103K16

S 1915	Push Switch	CSG1111
S 1916	Push Switch	CSG1111
S 1917	Push Switch	CSG1111
S 1918	Push Switch	CSG1111
S 1919	Push Switch	CSG1111

C 1810	CKSSYB103K16
C 1814	CKSSYB473K10
C 1816	CKSSYB103K16
C 1817	CSZSP4R7M10
C 1822	CKSSYB103K16

**RESISTORS**

R 1901	RS1/16S222J
R 1902	RS1/16S222J
R 1903	RS1/16S274J
R 1904	RS1/16S103J
R 1905	RS1/16S121J

C 1826	CKSSYB103K16
C 1827	CKSSYB103K16
C 1828	CKSSYB104K10
C 1829	CKSSYB104K10
C 1830	CKSSYB104K10

R 1906	RS1/16S2R2J
R 1907	RS1/16S101J
R 1908	RS1/16S101J
R 1918	RS1/16S271J
R 1920	RS1/16S271J

C 1831	CKSSYB104K10
--------	--------------

R 1922	RS1/16S271J
R 1924	RS1/16S271J
R 1926	RS1/16S271J
R 1928	RS1/16S271J
R 1934	RS1/16S104J

**MISCELLANEOUS**

IC 1901	IC	TSOP4840SB1
IC 1902	IC	PD6340A
Q 1906	Transistor	2SC3052-12
D 1903	LED	NSSW440-9159
D 1904	LED	SML310BA1T

R 1935	RS1/16S103J
R 1936	RS1/16S223J
R 1937	RS1/16S271J
R 1939	RS1/16S271J

D 1905	LED	SML310BA1T
D 1906	LED	SML310BA1T
D 1907	LED	SML310BA1T
D 1908	LED	SML310BA1T
D 1909	LED	SML310BA1T

**CAPACITORS**

C 1901	CKSRYB104K25
C 1903	CSZSR4R7M16
C 1904	CKSRYB104K16
C 1905	CCSRCH101J50
C 1908	CKSRYB104K16

D 1910	LED	SML310BA1T
D 1911	LED	SML310BA1T
D 1913	LED	SML310BA1T
D 1914	LED	SML310BA1T
D 1915	LED	SML310BA1T

C 1909	CKSRYB104K16
C 1910	CKSRYB104K16
C 1911	CKSRYB104K16
C 1912	CKSRYB104K16
C 1913	CKSRYB104K16

D 1916	LED	SML310BA1T
D 1917	LED	SML310BA1T
D 1918	LED	SML310BA1T
D 1919	LED	SML310BA1T
D 1920	LED	SML310BA1T

C 1914	CKSRYB104K16
C 1915	CKSRYB104K16
C 1916	CKSRYB104K16
C 1917	CKSRYB104K16
C 1918	CKSRYB104K16

L 1902	Inductor	CTF1530
X 1901	Ceramic Resonator 4.97MHz	CSS1573
S 1901	Push Switch	CSG1111

C 1919	CKSRYB104K16
C 1920	CKSRYB104K16
C 1921	CKSRYB104K16

**Circuit Symbol and No.****Part No.**

C 1922  
C 1923

CKSRYB104K16  
CKSRYB104K16

**D****Unit Number: CWX2953****Unit Name: CD CORE****UNIT(S10WMACODE2)****MISCELLANEOUS**

IC 201 IC  
IC 203 IC  
IC 301 IC  
IC 501 IC  
IC 701 IC

UPD63761GJ  
NJM2391DL1-33  
BA5835FM  
S-L2980A15MC-C6A  
PE5423A

IC 703 IC  
Q 101 Transistor  
Q 701 Transistor  
D 101 Diode  
L 203 Inductor

S-812C33AJA-C2N  
2SB1132  
UN2111  
1SS355  
CTF1389

L 207 Inductor  
L 209 Inductor  
L 703 Inductor  
L 902 Inductor  
L 903 Inductor

CTF1389  
CTF1389  
CTF1389  
CTF1306  
CTF1306

L 904 Inductor  
X 702 Resonator 4.00MHz  
S 901 Switch(HOME)  
S 902 Switch(CLAMP)  
S 903 Spring Switch(DSCSNS)

CTF1306  
CSS1654  
CSN1051  
CSN1051  
CSN1052

S 904 Switch(12EJ)  
S 905 Switch(8EJ)

CSN1051  
CSN1051

**RESISTORS**

R 101  
R 102  
R 103  
R 104  
R 105

RS1/10S1R5J  
RS1/10S1R5J  
RS1/10S1R5J  
RS1/10S1R5J  
RS1/10S1R5J

R 107  
R 201  
R 202  
R 205  
R 207

RS1/16SS0R0J  
RS1/16SS102J  
RS1/16SS333J  
RS1/16SS473J  
RS1/16SS473J

R 209  
R 210  
R 214  
R 216  
R 218

RS1/16SS473J  
RS1/16SS0R0J  
RS1/16SS472J  
RS1/16SS472J  
RS1/16SS472J

R 220  
R 221  
R 222  
R 223  
R 224

RS1/16SS472J  
RS1/16SS103J  
RS1/16SS103J  
RS1/16SS0R0J  
RS1/16SS0R0J

R 225  
R 226  
R 227  
R 228  
R 229

RS1/16SS103J  
RS1/16SS393J  
RS1/16SS562J  
RS1/16SS122J  
RS1/16SS472J

**Circuit Symbol and No.****Part No.**

R 231  
R 232  
R 233  
R 237  
R 238

RS1/16SS0R0J  
RS1/16SS122J  
RS1/16SS0R0J  
RS1/16SS221J  
RS1/16SS221J

R 239  
R 240  
R 241  
R 243  
R 245

RS1/16SS221J  
RS1/16SS0R0J  
RS1/16SS333J  
RS1/16SS333J  
RS1/16SS333J

R 250  
R 256  
R 261  
R 262  
R 263

RS1/16SS0R0J  
RS1/16SS0R0J  
RS1/16S0R0J  
RS1/16S0R0J  
RS1/16S0R0J

R 264  
R 267  
R 301  
R 302  
R 304

RS1/16S0R0J  
RS1/16S0R0J  
RS1/16SS183J  
RS1/16SS822J  
RS1/16SS183J

R 305  
R 307  
R 308  
R 309  
R 310

RS1/16SS822J  
RS1/16SS183J  
RS1/16SS183J  
RS1/16SS183J  
RS1/16SS183J

R 501  
R 701  
R 702  
R 703  
R 704

RS1/16SS0R0J  
RS1/16S0R0J  
RS1/16SS0R0J  
RS1/16SS104J  
RS1/16SS104J

R 705  
R 706  
R 707  
R 708  
R 709

RS1/16SS221J  
RS1/16SS221J  
RS1/16SS0R0J  
RS1/16SS221J  
RS1/16SS473J

R 710  
R 711  
R 712  
R 713  
R 714

RS1/16SS102J  
RS1/16SS102J  
RS1/16SS102J  
RS1/16SS102J  
RS1/16SS473J

R 715  
R 716  
R 717  
R 718  
R 719

RS1/16SS101J  
RS1/16SS472J  
RS1/16SS221J  
RS1/16SS221J  
RS1/16SS221J

R 720  
R 721  
R 724  
R 725  
R 726

RS1/16SS471J  
RS1/16S0R0J  
RS1/16S473J  
RS1/16SS222J  
RS1/16SS103J

R 727  
R 729  
R 730  
R 731  
R 732

RS1/16SS473J  
RS1/16SS223J  
RS1/16SS473J  
RS1/16SS104J  
RS1/16SS104J

R 733  
R 735  
R 737  
R 740  
R 743

RS1/16SS104J  
RS1/16SS473J  
RS1/16SS104J  
RS1/16SS473J  
RS1/16SS104J

**Circuit Symbol and No.****Part No.**

R 745	RS1/16SS473J
R 746	RS1/16SS104J
R 747	RS1/16SS102J
R 750	RS1/16SS473J
R 751	RS1/16SS102J
R 754	RS1/16SS102J
R 755	RS1/16SS102J
R 756	RS1/16SS104J
R 765	RAB4CQ221J
R 769	RAB4CQ221J
R 773	RAB4CQ221J
R 777	RS1/16SS221J
R 778	RS1/16SS221J
R 779	RS1/16SS221J
R 901	RAB4CQ221J
R 902	RS1/16S0R0J
R 905	RS1/16SS221J
R 906	RS1/16SS221J
R 909	RS1/16SS0R0J
R 911	RS1/16SS0R0J

**CAPACITORS**

C 101	CKSSYB104K10
C 102	CKSSYB104K10
C 103	100µF/16V
C 104	47µF/6.3V
C 105	CCH1504
C 106	CKSSYB104K10
C 107	CCSSCH101J50
C 108	CKSRYB224K16
C 110	CKSSYB104K10
C 201	CKSSYB104K10
C 202	CKSSYB104K10
C 203	CKSSYB104K10
C 205	CKSSYB104K10
C 207	220µF/4V
C 208	CCH1590
C 209	CKSSYB104K10
C 216	CKSSYB332K50
C 217	CKSSYB104K10
C 218	CKSSYB223K16
C 219	CKSSYB104K10
C 220	CKSSYB103K16
C 221	CKSSYB104K10
C 222	CCSSCH560J50
C 223	CCSSCH5R0C50
C 224	CKSSYB104K10
C 225	CKSSYB103K16
C 226	CCSSCH680J50
C 227	CCSSCH470J50
C 228	CKSSYB682K25
C 230	CKSSYB104K10
C 232	CKSSYB104K10
C 233	10µF/6.3V
C 234	220µF/4V
C 235	CCH1470
C 237	CKSRYB224K16
C 239	CKSSYB104K10
C 242	CCSSCH330J50
C 246	CKSSYB104K10

**Circuit Symbol and No.****Part No.**

C 249	CKSSYB221K50
C 250	CKSRYB102K50
C 251	CKSRYB102K50
C 260	CKSSYB104K10
C 301	CKSSYB221K50
C 302	CKSSYB221K50
C 303	CKSSYB472K25
C 304	CKSSYB103K16
C 305	100µF/16V
C 306	CCH1504
C 307	CKSSYB104K10
C 501	CKSRYB224K16
C 505	CKSQYB475K6R3
C 701	CKSSYB104K10
C 702	CKSSYB471K50
C 703	CKSSYB103K16
C 704	4.7µF/25V
C 706	CKSSYB104K10
C 707	CKSSYB104K10
C 712	CKSRYB224K16
C 713	CKSSYB104K10
C 714	CKSSYB104K10
C 716	CKSSYB103K16
C 717	CCSSCH180J50
C 718	CCSSCH180J50
C 720	CKSQYB225K10
C 722	CKSRYB105K10
C 903	CKSSYB471K50
C 906	CKSRYB224K16
C 910	CKSQYB225K10

**E****Unit Number:****Unit Name:Switch PCB****MISCELLANEOUS**

S 951	Switch(OPEN)	CSN1051
S 952	Switch(CLOSE)	CSN1052
S 953	Switch(EJECT)	CSN1058

**Miscellaneous Parts List**

	Pickup Unit(P10)(Service)	CXX1641
M 1	Motor Unit(SPINDELE)	CXB6007
M 2	Motor Unit(LOADING/CARRIAGE)	CXB8933
M 951	Motor Unit(AUTOMATIC FLAP)	CXC3190