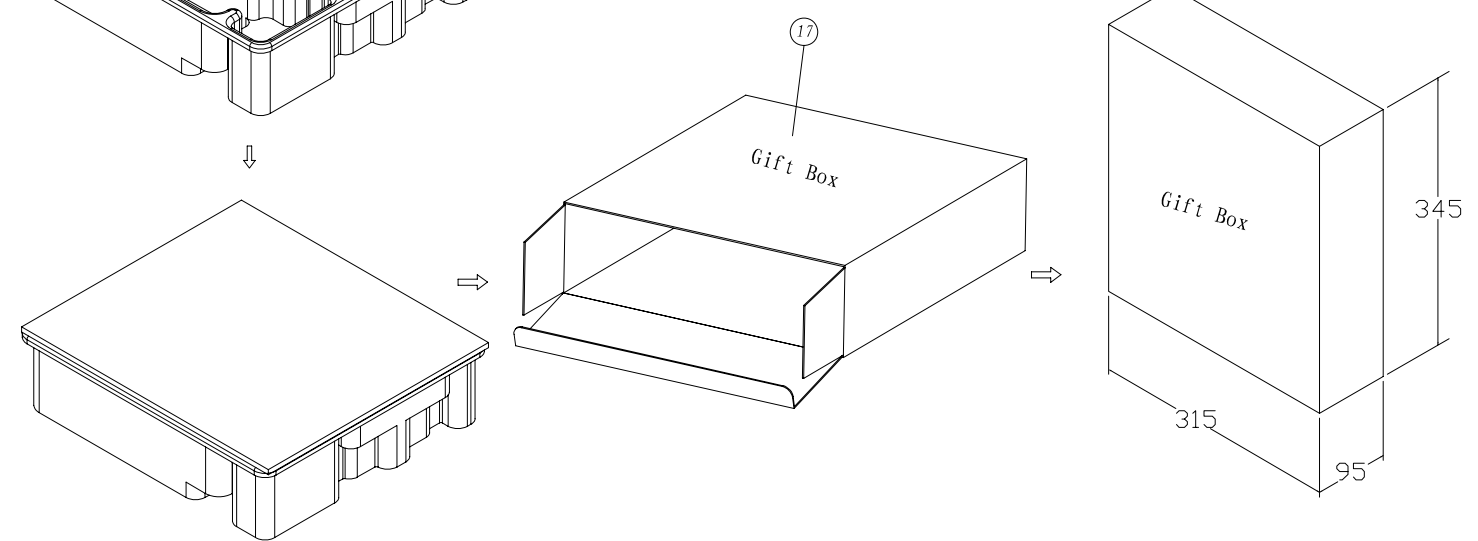
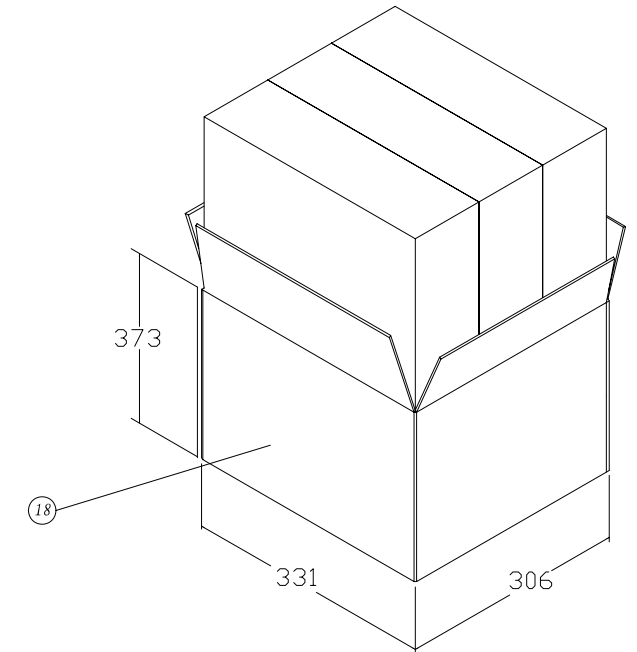
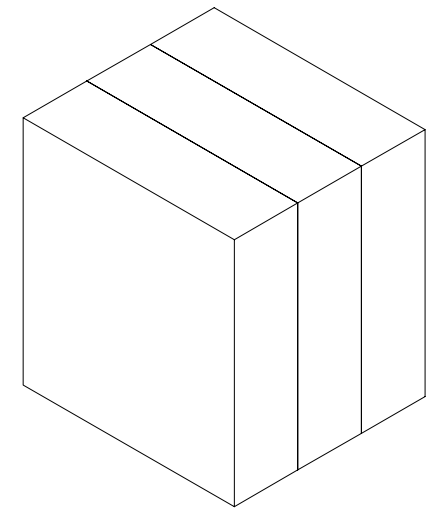
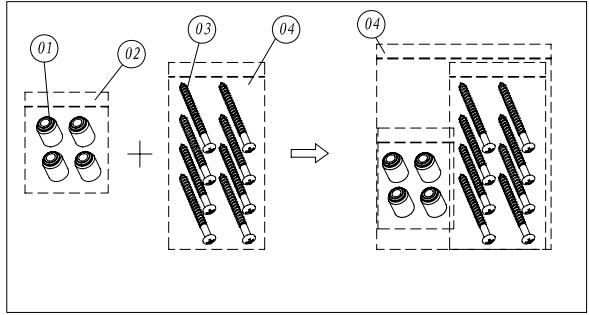
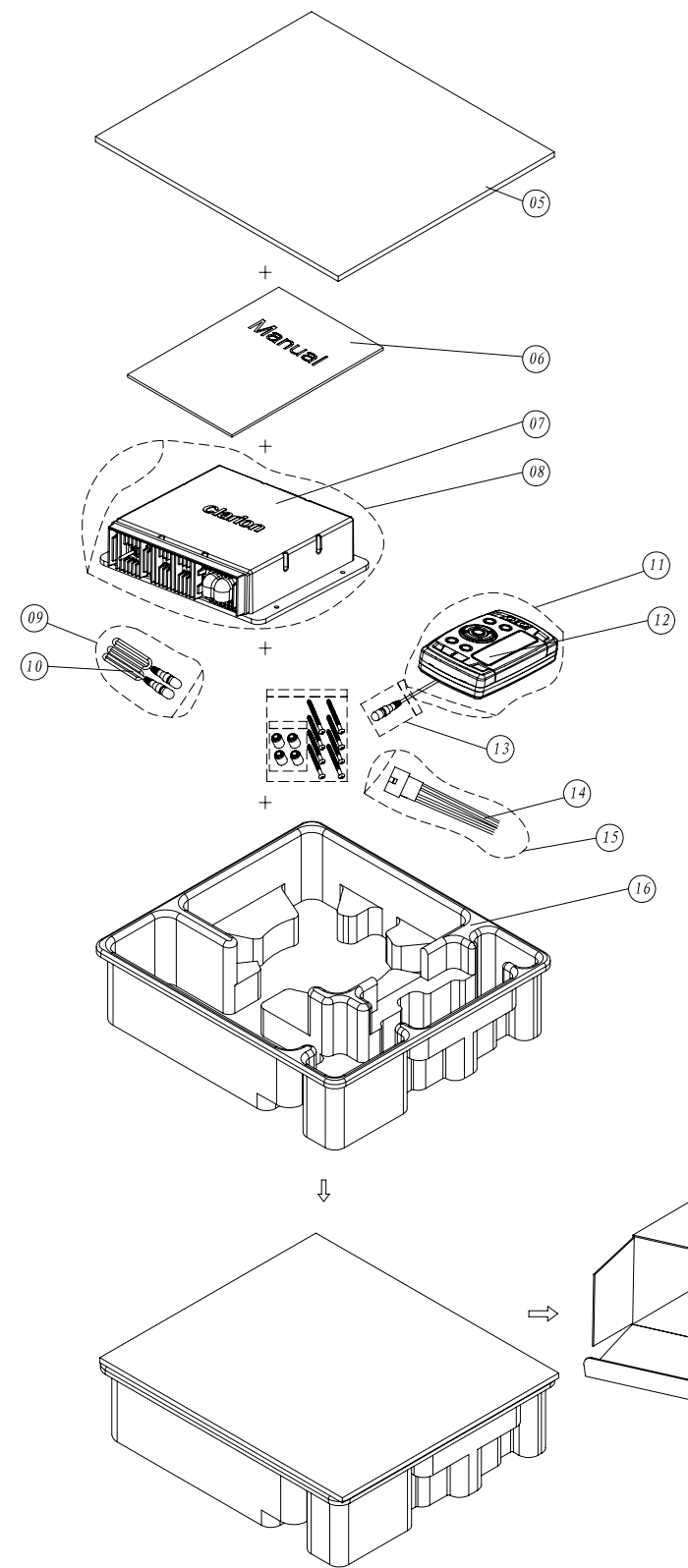


MRK	DATE	REVISION RECORD	MRK	DATE	REVISION RECORD
1			3		
2			4		



Item	Assembly Part NO	Description	Quantity	REMARK
18	763-00CMS100-03-10	Carton for CMS1, 331x306x373mm	1	
17	756-00CMS2CN-01-00	Gift Box, 315mm*345mm*95mm	1	
16	769-00CMS101-00-00	Pulp Tray, 340x308x90mm	1	
15	759-06009000-40-00	poly bag, Open side=60mm*L=90mm*T=0.04mm	1	
14	371-TN416020-LS-01	I2P TMG Connector(Hole)	1	
13	759-04020001-60-60	Poly bag, Open side=40mm*L=200mm*T=0.06mm	1	
12		CMS2 Panel Assm	1	
11	760-BB170150-50-00	Bubble bag, Open side=170mm, L=150*50mm	1	
10	362-DINJACK0-06-02	Din Jack, to Plug Cable, 8Pin, L=3000mm	1	
9	759-10023005-30-10	poly bag, Open side=100mm*L=230mm*T=0.03mm	1	
8	759-27032005-30-40	poly bag, Open side=270mm*L=320mm*T=0.03mm	1	
7		CMS2 Main Assm	1	
6	752-00CMS2CN-01-00	instruction Manual	1	
5	750-03000337-00-00	Corrugated Paper Sheet, L=300mm, W=337mm,	1	
4	759-06009000-40-00	poly bag, Open side=60mm*L=90mm*T=0.04mm	2	
3	660-TPH40381-30-00	Tapping "A" Type, 4x38 Pin Head, Philips Stainless	8	
2	759-03505501-40-42	poly bag, Open side=35mm*L=55mm*T=0.04mm	1	
1	444-00CMS105-00-00	Rubber Stopper	4	

NO.	DESCRIPTION		MATERIAL		FINISH (COLOR)	Q'TY	REMARK
DESIGN	CHECK	APPROVAL	G.TOL	NAME			
			SCALE	UNIT			
			mm	MODEL NO.	FILE		
				PART NO.			
Soundmax Co.,Ltd.							