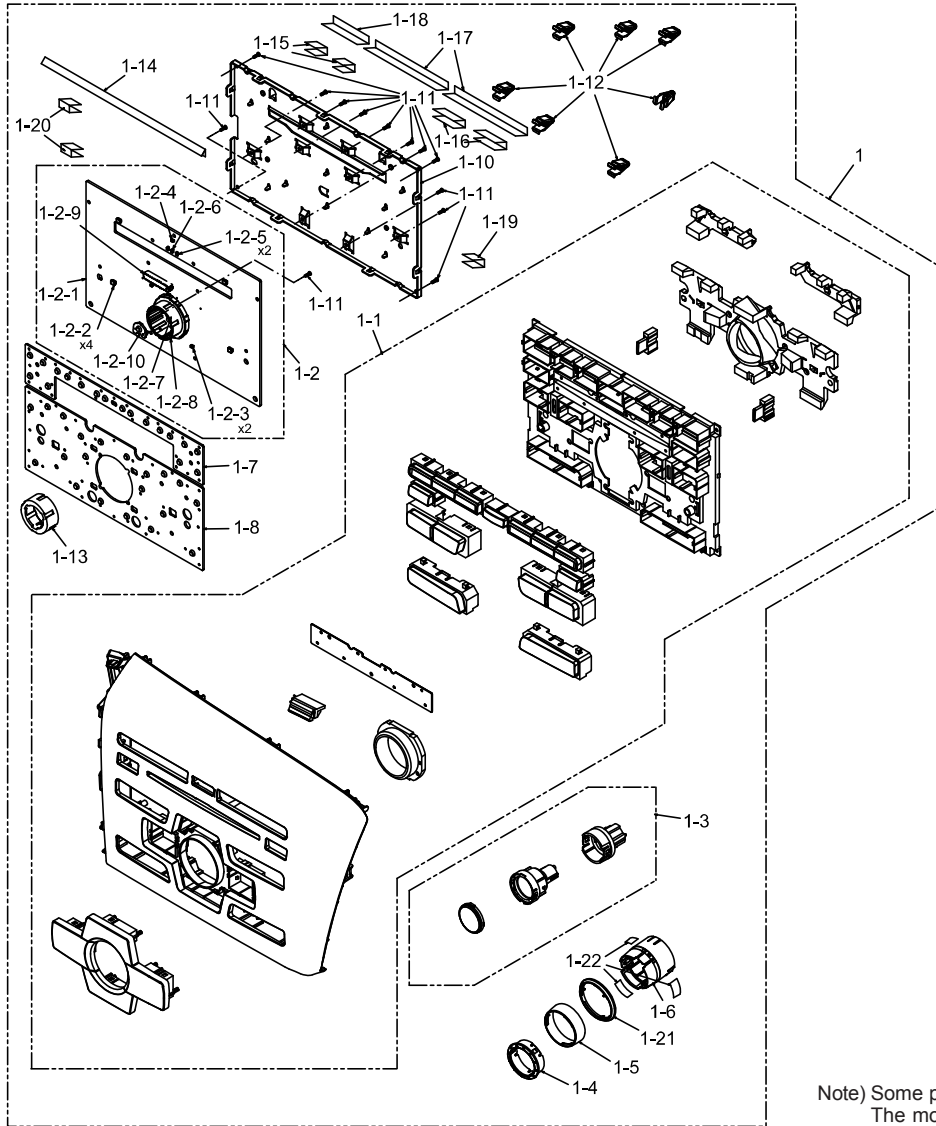


EXPLODED VIEW/PARTS LIST

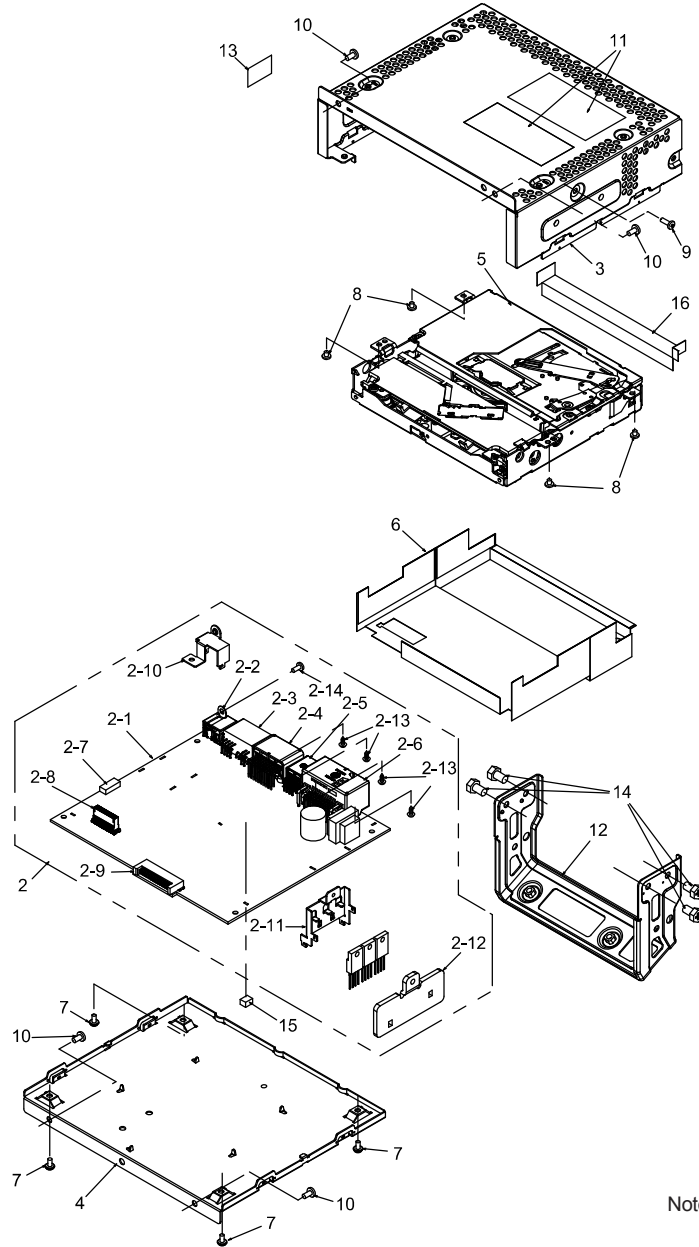
Escutcheon section



Note) Some parts depend on each model.
The model name is specified in the description.

NO.	PART NO.	DESCRIPTION	Q'TY	NO.	PART NO.	DESCRIPTION	Q'TY
1	-----	PANEL-ASSY	1	1-6	380-5815-01	KNOB	1
1-1	940-8594-02 940-8594-03 940-8594-04	ES-ASSY (PH3428CA) ES-ASSY (PH3371CA) ES-ASSY (PH3327CA)	1	1-7	345-6496-00	RUBBER SWITCH(A)	1
1-2	-----	SW-PWB-ASSY	1	1-8	345-6497-01	RUBBER SWITCH(B)	1
1-2-1	-----	SWITCH PWB	1	(1-9)	-	-	-
1-2-2	001-7110-94	DIODE	4	1-10	331-5076-00	ES PLATE ASSY	1
1-2-3	001-7134-55	DIODE	2	1-11	716-0778-52	SPECIAL SCREW	13
1-2-4	001-7115-92	DIODE	1	1-12	335-7317-00	CLIP	7
1-2-5	001-7142-90	DIODE	2	1-13	335-9002-00	SPACER	1
1-2-6	001-7134-61	DIODE	1	1-14	347-8889-00	CUSHION SHEET	1
1-2-7	001-7134-62	DIODE	1	1-15	347-8890-00	CUSHION SHEET	2
1-2-8	016-7006-02	VR W/SHAFT	1	1-16	347-8891-00	CUSHION SHEET	2
1-2-9	074-3014-76	OUTLET SOCKET(26pin)	1	1-17	347-8892-00	CUSHION SHEET	2
1-2-10	345-6498-00	RUBBER SWITCH(C)	1	1-18	347-8893-00	CUSHION SHEET	1
1-3	948-4001-01	BUTTON ASSY	1	1-19	347-8894-00	CUSHION SHEET	1
1-4	383-0819-00	KNOB TOP	1	1-20	347-8895-00	CUSHION SHEET	2
1-5	345-6499-00	KNOB GRIP	1	1-21	383-0821-00	KNOB BASE	1
				1-22	347-8976-00	PAPER PART	3

Main section



Note) Some parts depend on each model.
The model name is specified in the description.

NO.	PART NO.	DESCRIPTION	Q'TY
(1)	-	-	-
2	-----	MAIN-PWB-ASSY	1
2-1	-----	MAIN PWB	1
2-2	092-2238-00	ANT-RECEPT(CE2)	1
2-3	074-1168-14	OUTLET SOCKET(14pin)	1
2-4	074-4017-20	OUTLET SOCKET(20pin)	1
2-5	074-4031-08	OUTLET SOCKET(8pin)	1
2-6	074-4026-24	OUTLET SOCKET(24pin)	1
2-7	076-0478-58	PLUG(8pin)	1
2-8	076-3028-40	PLUG(40pin)	1
2-9	076-3011-76	PLUG(26pin)	1
2-10	331-5070-00	ANT-HOLDER	1
2-11	331-5072-00	TR-HOLDER	1
2-12	313-2126-00	SUB HEATSINK	1
2-13	778-3005-00	TAP SCREW	4
2-14	714-2606-8B	MACHINE SCREW	1

NO.	PART NO.	DESCRIPTION	Q'TY
3	310-1956-01	UPPER CASE	1
4	311-2025-00	LOWER CASE	1
5	929-5033-80	CD-MECH-MODULE	1
6	347-8981-00	MECH COVER	1
7	716-0878-50	SCREW	4
8	714-2604-8B	MACHINE SCREW	4
9	714-2608-8B	MACHINE SCREW	1
10	714-3004-8B	MACHINE SCREW	4
11	276-0866-03 276-0866-04 276-0866-14	SETPLATE(FOR PH3371CA) SETPLATE(FOR PH3327CA) SETPLATE(FOR PH3428CA)	1 1 1
12	300-8288-00	MTG-BRKT	1
13	347-8899-00	SHADE	1
14	782-5008-01	SPECIAL-H-BOLT	4
15	345-6341-00	GASKET	1
16	347-8982-00	MECH CVR	1

ELECTRICAL PARTS LIST

The following parts are difference parts.

The other parts are the same as the original model.

Please refer to the original service manual from page 14 to page 16.

Main PWB(B1) section : Difference parts

* Addition of SUB WOOFER/SW+B ON/AMP MUTE/Audio signal line

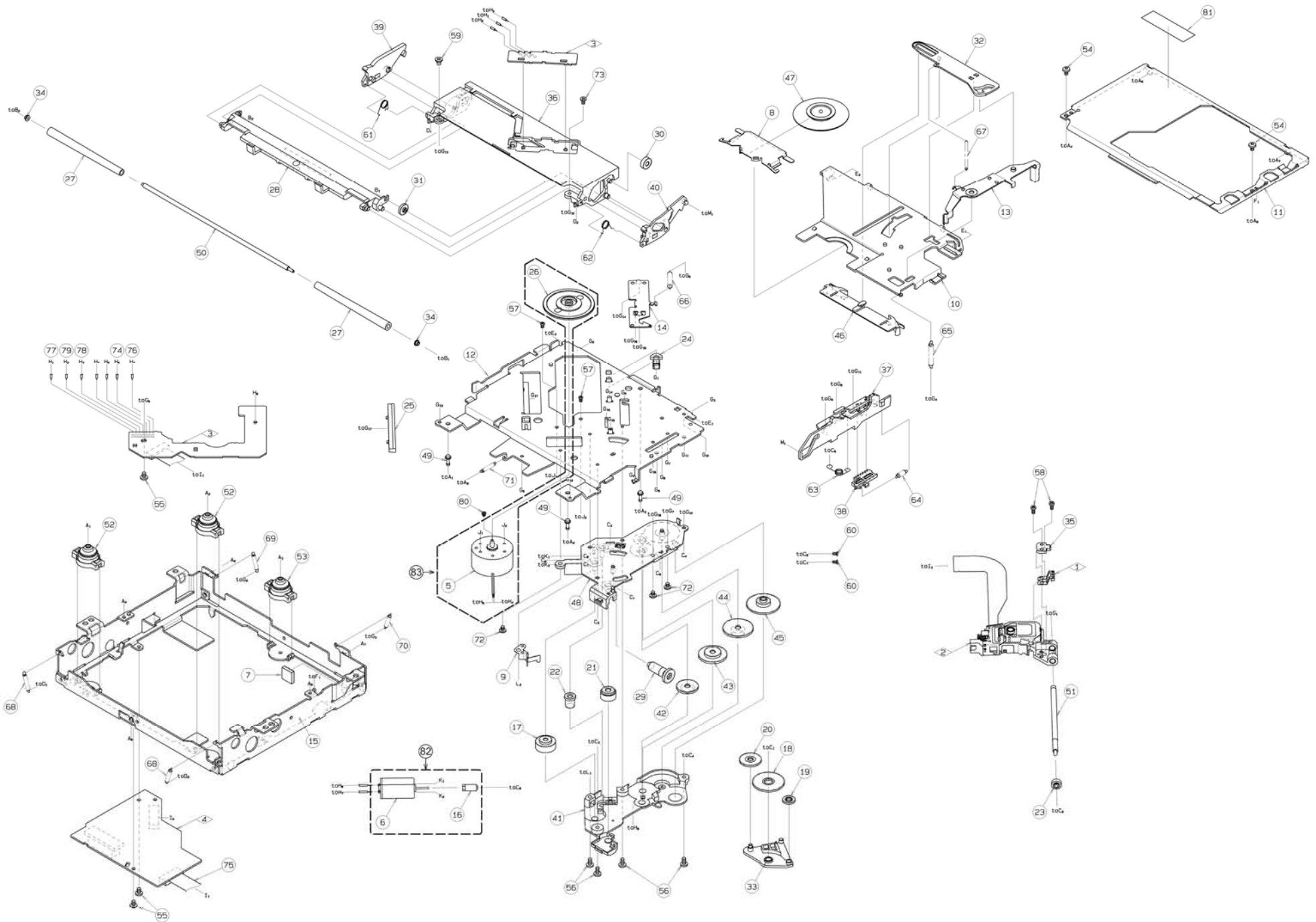
* Deletion of BASE signal line

REF No.	PART No.	DESCRIPTION	REF No.	PART No.	DESCRIPTION	REF No.	PART No.	DESCRIPTION
C270	046-3322-58	3300pF K B (Additional part)	C452	-----	(UNUSED)	D601	001-2403-90	M1F60 (Additional part)
C278	-----	(UNUSED)	C453	-----	(UNUSED)	D602	001-2403-90	M1F60 (Additional part)
C279	-----	(UNUSED)	C454	042-1790-90	16V 10uF (Additional part)	D605	001-2403-90	M1F60 (Additional part)
C280	-----	(UNUSED)	C455	042-1790-90	16V 10uF (Additional part)	D606	001-2403-90	M1F60 (Additional part)
C281	-----	(UNUSED)	C456	042-1790-90	16V 10uF (Additional part)	IC401	051-3042-90	OPA2134UA (Additional part)
C401	165-1073-35	16V 100uF (Additional part)	C457	042-1790-90	16V 10uF (Additional part)	IC404	051-3026-90	NJM4580V (Additional part)
C402	046-1042-78	16V 0.1uF (Additional part)	C458	-----	(UNUSED)	IC405	051-3026-90	NJM4580V (Additional part)
C403	165-1073-35	16V 100uF (Additional part)	C459	043-0528-71	6.3V 3.3uF (Additional part)	IC406	-----	(UNUSED)
C408	046-1042-78	16V 0.1uF (Additional part)	C460	043-0528-71	6.3V 3.3uF (Additional part)	IC407	051-3026-90	NJM4580V (Additional part)
C412	042-1767-90	16V 470uF (Additional part)	C461	-----	(UNUSED)	IC408	051-3026-90	NJM4580V (Additional part)
C422	046-1042-78	16V 0.1uF (Additional part)	C462	045-2201-50	22pFJ CH (Additional part)	IC409	051-3026-90	NJM4580V (Additional part)
C425	042-1767-90	16V 470uF (Additional part)	C463	045-2201-50	22pFJ CH (Additional part)	J401	074-4031-08	OUTLET SOCKET (Additional part)
C429	042-1767-90	16V 470uF (Additional part)	C464	045-1011-50	100pFJ CH (Additional part)	L401	010-3104-54	600 ohm/100MHz (Additional part)
C430	043-0528-71	6.3V 3.3uF (Additional part)	C465	-----	(UNUSED)	L402	010-3104-54	600 ohm/100MHz (Additional part)
C431	045-2201-50	22pFJ CH (Additional part)	C466	045-1011-50	100pFJ CH (Additional part)	Q603	192-4081-00	2SC4081 (Additional part)
C432	045-1011-50	100pFJ CH (Additional part)	C467	045-2201-50	22pFJ CH (Additional part)	Q604	190-2071-00	2SA2071 (Additional part)
C433	045-2201-50	22pFJ CH (Additional part)	C468	045-2201-50	22pFJ CH (Additional part)	Q609	192-4081-00	2SC4081 (Additional part)
C434	045-1011-50	100pFJ CH (Additional part)	C469	045-1011-50	100pFJ CH (Additional part)	Q610	190-2071-00	2SA2071 (Additional part)
C435	042-1790-90	16V 10uF (Additional part)	C471	045-1011-50	100pFJ CH (Additional part)	R244	033-1021-15	1/16W 1k ohm J (Additional part)
C436	042-1790-90	16V 10uF (Additional part)	C472	042-1790-90	16V 10uF (Additional part)	R394	033-1031-15	1/16W 10k ohm J (Additional part)
C437	168-2222-55	2200pF K (Additional part)	C473	042-1790-90	16V 10uF (Additional part)	R405	119-1021-15	1/10W 1k ohm (Additional part)
C438	168-2222-55	2200pF K (Additional part)	C474	042-1790-90	16V 10uF (Additional part)	R406	119-8211-15	1/10W 820 ohm (Additional part)
C439	043-0528-71	6.3V 3.3uF (Additional part)	C475	042-1790-90	16V 10uF (Additional part)	R430	119-1021-15	1/10W 1k ohm (Additional part)
C440	043-0528-71	6.3V 3.3uF (Additional part)	C476	045-1011-50	100pFJ CH (Additional part)	R431	119-8211-15	1/10W 820 ohm (Additional part)
C441	045-2201-50	22pFJ CH (Additional part)	C477	-----	(UNUSED)	R432	033-0000-05	1/16W 0 ohm (Additional part)
C442	045-2201-50	22pFJ CH (Additional part)	C478	-----	(UNUSED)	R433	033-4731-15	1/16W 47k ohm J (Additional part)
C443	045-1011-50	100pFJ CH (Additional part)	C479	-----	(UNUSED)	R434	033-1031-15	1/16W 10k ohm J (Additional part)
C444	045-1011-50	100pFJ CH (Additional part)	C529	168-2222-55	2200pF K (Change part)	R435	033-1031-15	1/16W 10k ohm J (Additional part)
C445	045-2201-50	22pFJ CH (Additional part)	C531	168-2222-55	2200pF K (Change part)	R436	033-1031-15	1/16W 10k ohm J (Additional part)
C446	045-2201-50	22pFJ CH (Additional part)	C532	168-2222-55	2200pF K (Change part)	R437	033-1031-15	1/16W 10k ohm J (Additional part)
C447	045-1011-50	100pFJ CH (Additional part)	C533	168-2222-55	2200pF K (Change part)	R438	032-0144-57	1/8W 100k ohm J (Additional part)
C448	045-1011-50	100pFJ CH (Additional part)	C534	168-2222-55	2200pF K (Change part)	R439	032-0144-55	1/8W 100 ohm J (Additional part)
C449	-----	(UNUSED)	C535	168-2222-55	2200pF K (Change part)			
C450	-----	(UNUSED)	C536	168-2222-55	2200pF K (Change part)			
C451	-----	(UNUSED)	C537	168-2222-55	2200pF K (Change part)			

REF No.	PART No.	DESCRIPTION	REF No.	PART No.	DESCRIPTION	REF No.	PART No.	DESCRIPTION
R440	032-0144-57	1/8W 100k ohm J (Additional part)	R466	032-0144-55	1/8W 100 ohm J (Additional part)	R492	032-0144-55	1/8W 100 ohm J (Additional part)
R441	032-0144-55	1/8W 100 ohm J (Additional part)	R467	033-0000-05	1/16W 0 ohm (Additional part)	R493	-----	(UNUSED)
R442	033-0000-05	1/16W 0 ohm (Additional part)	R468	033-0000-05	1/16W 0 ohm (Additional part)	R494	-----	(UNUSED)
R443	033-0000-05	1/16W 0 ohm (Additional part)	R469	033-4731-15	1/16W 47k ohm J (Additional part)	R495	-----	(UNUSED)
R444	033-4731-15	1/16W 47k ohm J (Additional part)	R470	033-1031-15	1/16W 10k ohm J (Additional part)	R496	-----	(UNUSED)
R445	033-1031-15	1/16W 10k ohm J (Additional part)	R471	033-1031-15	1/16W 10k ohm J (Additional part)	R497	033-0000-05	1/16W 0 ohm (Additional part)
R446	033-1031-15	1/16W 10k ohm J (Additional part)	R472	033-4731-15	1/16W 47k ohm J (Additional part)	R498	116-0000-05	1/4W 0 ohm JW (Additional part)
R447	033-4731-15	1/16W 47k ohm J (Additional part)	R473	033-1031-15	1/16W 10k ohm J (Additional part)	R558	119-0000-05	1/10W 0 ohm JW (Additional part)
R448	033-1031-15	1/16W 10k ohm J (Additional part)	R474	033-1031-15	1/16W 10k ohm J (Additional part)	R559	119-0000-05	1/10W 0 ohm JW (Additional part)
R449	033-1031-15	1/16W 10k ohm J (Additional part)	R475	033-1031-15	1/16W 10k ohm J (Additional part)	R560	119-0000-05	1/10W 0 ohm JW (Additional part)
R450	033-1031-15	1/16W 10k ohm J (Additional part)	R476	-----	(UNUSED)	R561	119-0000-05	1/10W 0 ohm JW (Additional part)
R451	033-1031-15	1/16W 10k ohm J (Additional part)	R477	033-1031-15	1/16W 10k ohm J (Additional part)	R603	116-2221-15	1/4W 2.2k ohm (Additional part)
R452	-----	(UNUSED)	R479	-----	(UNUSED)	R605	033-1031-15	1/16W 10k ohm J (Additional part)
R453	033-1031-15	1/16W 10k ohm J (Additional part)	R480	-----	(UNUSED)	R606	116-2221-15	1/4W 2.2k ohm (Additional part)
R454	033-1031-15	1/16W 10k ohm J (Additional part)	R481	033-1031-15	1/16W 10k ohm J (Additional part)	R607	033-1031-15	1/16W 10k ohm J (Additional part)
R459	032-0144-57	1/8W 100k ohm J (Additional part)	R483	033-1031-15	1/16W 10k ohm J (Additional part)	R610	033-3321-15	1/16W 3.3k ohm J (Additional part)
R460	032-0144-55	1/8W 100 ohm J (Additional part)	R485	032-0144-57	1/8W 100k ohm J (Additional part)	R612	116-2221-15	1/4W 2.2k ohm (Additional part)
R461	032-0144-57	1/8W 100k ohm J (Additional part)	R486	032-0144-55	1/8W 100 ohm J (Additional part)	R614	033-1031-15	1/16W 10k ohm J (Additional part)
R462	032-0144-55	1/8W 100 ohm J (Additional part)	R487	032-0144-57	1/8W 100k ohm J (Additional part)	R615	116-2221-15	1/4W 2.2k ohm (Additional part)
R463	032-0144-57	1/8W 100k ohm J (Additional part)	R488	032-0144-55	1/8W 100 ohm J (Additional part)	R616	033-1031-15	1/16W 10k ohm J (Additional part)
R464	032-0144-55	1/8W 100 ohm J (Additional part)	R489	032-0144-57	1/8W 100k ohm J (Additional part)	R618	033-3321-15	1/16W 3.3k ohm J (Additional part)
R465	032-0144-57	1/8W 100k ohm J (Additional part)	R490	032-0144-55	1/8W 100 ohm J (Additional part)	R4005	033-0000-05	1/16W 0 ohm (Additional part)
			R491	032-0144-57	1/8W 100k ohm J (Additional part)	TH601	002-0318-21	THERMISTOR (Additional part)
						TH602	002-0318-21	THERMISTOR (Additional part)

EXPLODED VIEW / PARTS LIST

NO.	PART NO.	DESCRIPTION	QTY	NO.	PART NO.	DESCRIPTION	QTY
1	966-1722-21	SH-RACK-ASSY	1	43	621-1749-20	POWER GEAR B	1
2	969-0075-31	PICKUP-ASSY	1	44	621-1750-20	POWER GEAR C	1
3	-----	SENSOR-PWB-ASSY(955010AI)	1	45	621-1751-20	POWER GEAR D	1
4	-----	MAIN-PWB-ASSY(975033BI)	1	46	621-1752-20	DISC STOPPER	1
5	-----	DC-MOTOR(SPINDELE)	1	47	621-1753-20	CLAMPER RING	1
6	-----	DC-MOTOR(SLED)	1	48	621-1754-20	GEAR BASE	1
7	345-5476-20	CUSHION RUBBER	1	49	622-1570-21	DAMPER PIN	3
8	620-1023-23	CLAMPER PLATE	1	50	622-1571-21	ROLLER SHAFT	1
9	620-1026-21	SPRING PLATE	1	51	624-3059-00	LEAD SCREW	1
10	620-1596-23	CLAMPER LINK	1	52	629-0086-20	DAMPER F	2
11	620-1862-20	UPPER CHASSIS	1	53	629-0087-20	DAMPER R	1
12	620-1867-20	DRIVE PLATE	1	54	714-2003-8B	MACHIN SCREW	2
13	620-1752-20	SENSOR ARM	1	55	716-1507-01	SCREW	3
14	620-1753-20	ID-LOCK PLATE	1	56	716-1670-01	SPECIAL SCREW	4
15	620-1894-24	LOWER CHASSIS	1	57	716-1733-01	SCREW	2
16	-----	MOTOR GEAR(SLED)	1	58	716-3469-01	SPECIAL SCREW	2
17	621-0608-21	SECOND GEAR	1	59	716-3473-01	SPECIAL SCREW	1
18	621-0609-21	BASE GEAR	1	60	716-3551-00	SPECIAL SCREW	2
19	621-0610-21	IDLE GEAR A	1	61	750-6797-20	ROLLER SPRING L	1
20	621-0611-21	IDLE GEAR B	1	62	750-6798-20	ROLLER SPRING R	1
21	621-0612-22	ROLLER GEAR A	1	63	750-7865-20	SHIFT SPRING	1
22	621-0620-20	THREAD GEAR A	1	64	750-7866-20	RACK SPRING	1
23	621-0621-20	THREAD GEAR B	1	65	750-7867-20	CLAMPER SPRING	1
24	621-0623-24	LS-HOLDER	1	66	750-7868-20	ID-LOCK SPRING	1
25	621-0624-22	GUIDE RAIL	1	67	750-7869-20	SENSOR SPRING	1
26	-----	TURN TABLE(SPINDELE)	1	68	750-7870-20	DR-SPRING F	2
27	621-0711-21	LOADING ROLLER	2	69	750-7871-20	DR-SPRING RA	1
28	621-0718-21	ROLLER GUIDE	1	70	750-7872-20	DR-SPRING RB	1
29	621-0719-20	ROLLER GEAR	1	71	750-7873-20	DR-SPRING C	1
30	621-0720-20	ROLLER GEAR C	1	72	780-2025-00	SCREW	3
31	621-0721-20	ROLLER GEAR D	1	73	781-1730-00	SCREW	1
32	621-0728-20	STOPPER LINK	1	74	803-4906-60	VINYL-COAT-WIRE	1
33	621-1719-21	IDLE CASE	1	75	816-2624-55	FLAT WIRE	1
34	621-1726-21	ROLLER SLEEVE	2	76	816-2590-00	SPECIAL LEAD	1
35	621-1729-21	SH-BASE	1	77	816-2591-00	SPECIAL LEAD	1
36	621-1742-20	UPPER GUIDE	1	78	816-2592-00	SPECIAL LEAD	1
37	621-1743-20	SHIFT LEVER	1	79	816-2593-00	SPECIAL LEAD	1
38	621-1744-20	RACK	1	80	716-3635-00	SPECIAL SCREW	1
39	621-1745-20	LOCK ARM L	1	81	293-8575-00	MECH LABEL	1
40	621-1746-20	LOCK ARM R	1	82	SMA-183-200	SLED MOTOR ASSY	1
41	621-1747-20	GEAR COVER	1	83	SMA-200-100	SPINDLE MOTOR ASSY	1
42	621-1748-20	POWER GEAR A	1				



ELECTRICAL PARTS LIST

SENS PWB(B1) section

REF No.	PART No.	DESCRIPTION	REF No.	PART No.	DESCRIPTION	REF No.	PART No.	DESCRIPTION
D1	001-7058-90	DIODE	S2	013-7413-50	DETECTOR SWITCH(SPVG12)	J1	074-2215-60	10P
D2	001-7058-90	DIODE	Q1	060-4015-91	PHOTO-TR	PWB	039-2675-20	PWB (WITHOUT COMPONENT)
S1	013-7414-50	DETECTOR SWITCH(SPVG22)	Q2	060-4015-91	PHOTO-TR			

MAIN PWB(B2) section

REF No.	PART No.	DESCRIPTION	REF No.	PART No.	DESCRIPTION	REF No.	PART No.	DESCRIPTION
C3	168-1052-78	16V 1uF K	C47	166-1011-50	100pF CH	R13	033-3341-15	1/16W 330k ohm J
C6	168-1052-78	16V 1uF K	C48	165-4763-15	6.3V 47uF	R15	033-4731-15	1/16W 47k ohm J
C7	042-0560-85	6.3V 100uF	C49	168-1042-78	16V 0.1uF K	R16	033-3331-15	1/16W 33k ohm J
C8	168-1052-78	16V 1uF K	C50	045-1201-50	12pFJ CH	R17	119-0000-05	1/10W 0 ohm JW
C10	046-1042-78	16V 0.1uF	C51	045-1201-50	12pFJ CH	R18	033-1051-15	1/16W 1M ohm J
C11	168-1042-78	16V 0.1uF K	C71	166-6801-50	68pF CH	R19	033-2221-15	1/16W 2.2k ohm J
C12	166-6801-50	68pF CH	C72	166-6801-50	68pF CH	R20	033-1011-15	1/16W 100 ohm J
C14	046-4722-58	4700pF K B	C73	166-6801-50	68pF CH	R22	119-0000-05	1/10W 0 ohm JW
C17	165-1073-35	16V 100uF	C74	166-6801-50	68pF CH	R24	119-0000-05	1/10W 0 ohm JW
C18	168-1042-78	16V 0.1uF K	C75	166-6801-50	68pF CH	R27	033-0000-05	1/16W 0 ohm
C19	046-1042-78	16V 0.1uF	C76	166-6801-50	68pF CH	R28	033-0000-05	1/16W 0 ohm
C20	046-1532-78	0.015uF K B	C77	166-6801-50	68pF CH	R29	033-0000-05	1/16W 0 ohm
C21	046-1042-78	16V 0.1uF	C78	166-6801-50	68pF CH	R30	033-0000-05	1/16W 0 ohm
C22	168-1042-78	16V 0.1uF K	ET1	073-0792-90	TERMINAL	R31	033-0000-05	1/16W 0 ohm
C23	046-1522-58	1500pF K B	ET2	073-0792-90	TERMINAL	R32	033-0000-05	1/16W 0 ohm
C24	046-1042-78	16V 0.1uF	IC1	051-6751-00	TC94A93MFG-201	R33	033-0000-05	1/16W 0 ohm
C25	046-2222-58	2200pF K B	IC2	051-6101-90	BD8226EFV	R34	033-0000-05	1/16W 0 ohm
C27	168-1042-78	16V 0.1uF K	J1	074-2215-65	15P	R35	033-0000-05	1/16W 0 ohm
C28	043-0559-90	6.3V 22uF	J2	074-2215-60	10P	R36	033-0000-05	1/16W 0 ohm
C29	046-1032-78	16V 0.01uF	J3	074-3032-40	40P	R37	033-0000-05	1/16W 0 ohm
C30	046-4712-58	470pF K B	L1	010-3105-69	80 ohm/100MHz	R38	033-0000-05	1/16W 0 ohm
C31	046-4712-58	470pF K B	L2	010-3105-69	80 ohm/100MHz	R39	033-0000-05	1/16W 0 ohm
C32	046-3332-78	0.033uF K B	L3	010-3105-69	80 ohm/100MHz	R40	033-1041-15	1/16W 100k ohm J
C33	168-1532-55	0.015uF K	L4	010-3105-69	80 ohm/100MHz	R41	033-1011-15	1/16W 100 ohm J
C34	168-1042-78	16V 0.1uF K	Q1	190-2060-00	2SA2060	R42	033-1011-15	1/16W 100 ohm J
C35	166-6801-50	68pF CH	R1	033-2211-15	1/16W 220 ohm J	R44	033-0000-05	1/16W 0 ohm
C36	046-6822-58	6800pF K B	R2	117-6811-15	1/10W 680 ohm	R45	033-4721-15	1/16W 4.7k ohm J
C37	045-4701-50	47pF CH	R3	117-1001-15	1/8W 10 ohm	R46	033-4721-15	1/16W 4.7k ohm J
C38	168-1042-78	16V 0.1uF K	R4	033-1831-15	1/16W 18k ohm J	R47	033-4721-15	1/16W 4.7k ohm J
C39	046-1042-78	16V 0.1uF	R5	033-1231-15	1/16W 12k ohm J	R48	033-4721-15	1/16W 4.7k ohm J
C40	168-1042-78	16V 0.1uF K	R6	033-1541-15	1/16W 150k ohm J	VR1	001-9210-50	AVR- M1608C270MTAAD
C41	046-5622-58	5600pF K B	R7	033-1031-15	1/16W 10k ohm J	X1	061-3572-90	16.92MHZ
C42	168-1042-78	16V 0.1uF K	R8	033-0000-05	1/16W 0 ohm	PWB	039-3723-00	PWB(WITHOUT COMPONENTS)
C43	046-4732-78	16V 0.047uF	R9	033-2211-15	1/16W 220 ohm J			
C44	046-4732-78	16V 0.047uF	R10	033-0000-05	1/16W 0 ohm			
C45	168-1042-78	16V 0.1uF K	R11	033-2231-15	1/16W 22k ohm J			
C46	043-0570-90	16V 2.2uF K	R12	033-4731-15	1/16W 47k ohm J			