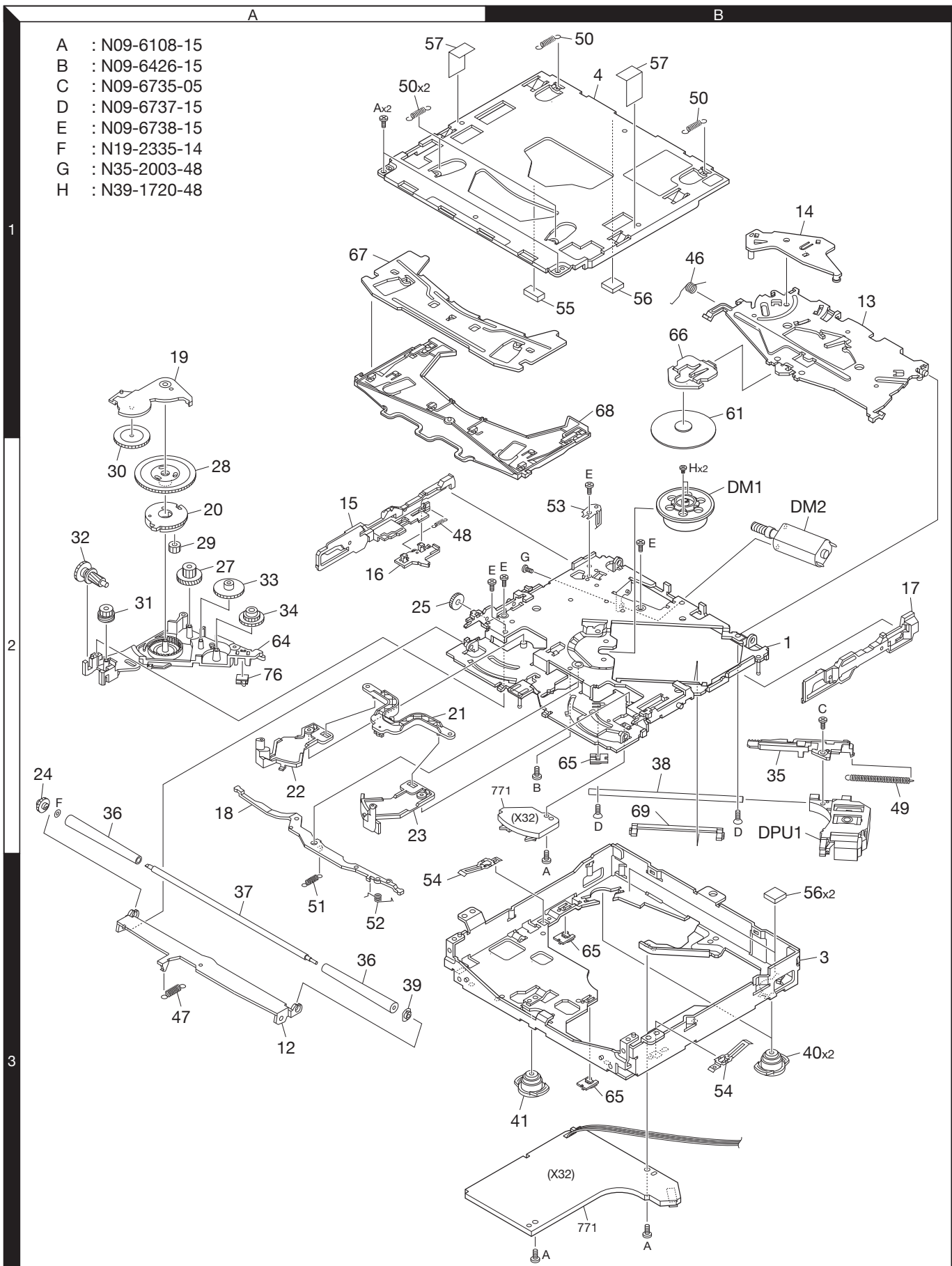


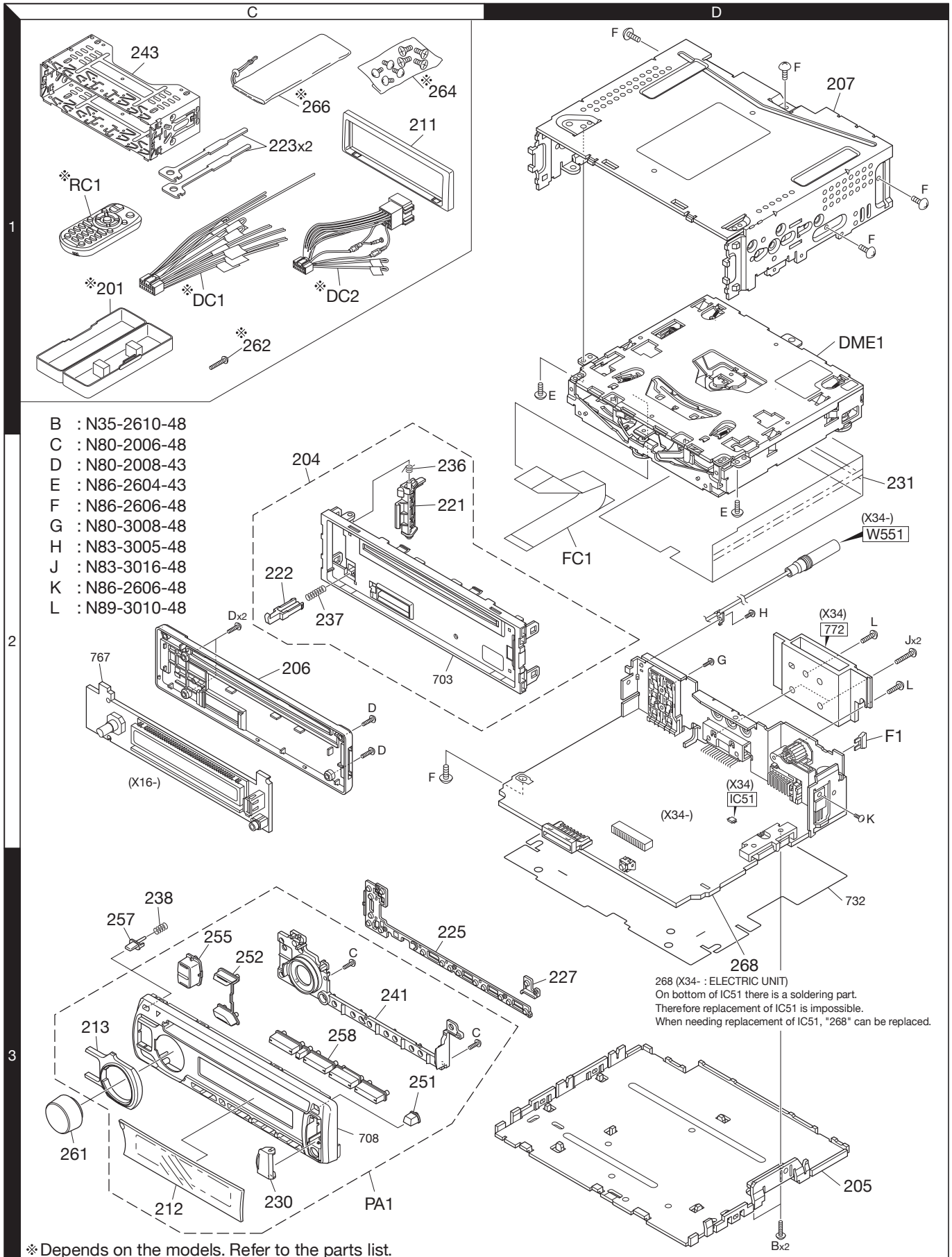
EXPLODED VIEW (CD MECHANISM)

- A : N09-6108-15
- B : N09-6426-15
- C : N09-6735-05
- D : N09-6737-15
- E : N09-6738-15
- F : N19-2335-14
- G : N35-2003-48
- H : N39-1720-48



Parts with the exploded numbers larger than 700 are not supplied.

EXPLODED VIEW (UNIT)



Parts with the exploded numbers larger than 700 are not supplied.

PARTS LIST

* New parts
Parts without **Parts No.** are not supplied.
Les articles non mentionnés dans le **Parts No.** ne sont pas fournis.
Teile ohne **Parts No.** werden nicht geliefert.

Ref. No.	A d d	N e w	Parts No.	Description	Desti- nation
KDC-4547UB/4547UW/MP345U/U446/U5046					
201	1C		A02-2755-23	PLASTIC CABINET ASSY	M1
204	2C	*	A22-3260-13	SUB PANEL ASSY	
205	3D	*	A40-1371-11	BOTTOM PLATE	
206	2C	*	A46-1901-01	REAR COVER	
207	1D	*	A52-1126-01	TOP COVER	
PA1	3C	*	A64-5000-02	PANEL ASSY	K
PA1	3C	*	A64-5005-12	PANEL ASSY	E1
PA1	3C	*	A64-5006-12	PANEL ASSY	E
PA1	3C	*	A64-5007-12	PANEL ASSY	M1
PA1	3C	*	A64-5010-12	PANEL ASSY	C1
RC1	1C	*	A70-2104-05	REMOTE CONTROLLER ASSY (RC-405)	KM1C1
-		*	B64-4526-00	INST. MANUAL (ENG.RUS.)	EE1
-		*	B64-4527-00	INST. MANUAL (FRE.GER.DUT.)	EE1
-		*	B64-4528-00	INST. MANUAL (ITA.SPA.POR.)	EE1
-		*	B64-4529-00	INST. MANUAL (ENG.FRE.SPA.)	K
-		*	B64-4531-00	INST. MANUAL (ENG.ARA.)	M1
-		*	B64-4532-00	INST. MANUAL (S-CHINESE)	C1
211	1C		B07-3270-01	ESCUTCHEON	
212	3C	*	B10-5323-01	FRONT GLASS	K
212	3C	*	B10-5328-01	FRONT GLASS	EE1
212	3C	*	B10-5330-01	FRONT GLASS	M1
212	3C	*	B10-5333-01	FRONT GLASS	C1
213	3C	*	B07-3326-03	ESCUTCHEON	K
213	3C	*	B07-3329-03	ESCUTCHEON	E1
213	3C	*	B07-3330-03	ESCUTCHEON	E
213	3C	*	B07-3331-03	ESCUTCHEON	M1C1
221	2C	*	D10-7099-03	LEVER	
222	2C	*	D10-7098-03	LEVER	
223	1C	*	D10-7106-04	LEVER	
225	3C	*	E29-2153-02	CONDUCTIVE RUBBER	
227	3D	*	E29-2154-04	CONDUCTIVE RUBBER	
△ DC1	1C	*	E30-6798-05	DC CORD	K
△ DC1	1C	*	E30-6933-05	DC CORD	M1C1
△ DC2	1C	*	E30-6934-05	DC CORD	EE1
FC1	2D	*	E39-1077-05	FLAT CABLE	
230	3C	*	F07-2219-03	COVER	
231	2D	*	F11-1874-03	SHIELDING COVER	
△ F1	2D		F52-0023-05	FUSE (MINI BLADE TYPE) (10A)	
236	2C	*	G01-4750-04	TORSION COIL SPRING	
237	2C	*	G01-4749-04	COMPRESSION SPRING	
238	3C		G01-3244-04	COMPRESSION SPRING	
-		*	H54-4723-03	ITEM CARTON CASE	K
-		*	H54-4725-03	ITEM CARTON CASE	E
-		*	H54-4726-03	ITEM CARTON CASE	E1
-		*	H54-4733-03	ITEM CARTON CASE	M1
-		*	H54-4821-03	ITEM CARTON CASE	C1
241	3C	*	J19-7287-11	HOLDER	
243	1C		J22-0789-03	MOUNTING HARDWARE ASSY	
251	3C	*	K24-5041-04	PUSH KNOB (EJECT)	
252	3C	*	K25-1983-03	PUSH KNOB (SRC/BAND)	

Ref. No.	A d d	N e w	Parts No.	Description	Desti- nation
255	3C	*	K24-5043-03	PUSH KNOB (SEARCH)	
257	3C	*	K24-5042-04	PUSH KNOB (RELEASE)	
258	3C	*	K25-1982-02	PUSH KNOB (PRESET)	
261	3C		K28-0337-04	KNOB ASSY (VOL)	
262	1C		N84-4016-48	PAN HEAD TAPTITE SCREW	KM1C1
264	1C		N99-1757-15	SCREW SET	KM1C1
B	3D		N35-2610-48	BINDING HEAD MACHINE SCREW	
C	3C		N80-2006-48	PAN HEAD TAPTITE SCREW	
D	2C		N80-2008-43	PAN HEAD TAPTITE SCREW	
E	2D		N86-2604-43	BINDING HEAD TAPTITE SCREW	
F	1D		N86-2606-48	BINDING HEAD TAPTITE SCREW	
266	1C		W01-1710-05	CARRYING CASE	KEE1
268	3D	*	X34-6600-10	ELECTRIC UNIT (for IC51)	K
268	3D	*	X34-6600-21	ELECTRIC UNIT (for IC51)	M1C1
268	3D	*	X34-6602-71	ELECTRIC UNIT (for IC51)	EE1
DME1	1D		X92-6370-00	MECHANISM ASSY (DXM-9B20W)	
SWITCH UNIT (X16-676x-xx)					
D51			B30-1566-05	LED (1608,RED)	
D52			B30-1780-05	LED (1608,PG)	C1
D55 ,56			B30-1780-05	LED (1608,PG)	C1
D56 -61			B30-1779-05	LED (1608,SR)	K
D56 -62			B30-1781-05	LED (1608,BLUE)	M1E1
D56 -62			B30-1788-05	LED (1608,WHITE)	E
D58			B30-1780-05	LED (1608,PG)	C1
D62			B30-1781-05	LED (1608,BLUE)	K
D62 -75			B30-1780-05	LED (1608,PG)	C1
D65			B30-1781-05	LED (1608,BLUE)	KM1E1
D65			B30-1788-05	LED (1608,WHITE)	E
D91 -93			B30-1781-05	LED (1608,BLUE)	KM1E1
D91 -93			B30-1788-05	LED (1608,WHITE)	E
D92			B30-1780-05	LED (1608,PG)	C1
C10 ,11			CK73GB1C104K	CHIP C 0.10UF K	
C12			CK73GB1H103K	CHIP C 0.010UF K	
C21			CK73GB0J105K	CHIP C 1.0UF K	
C41 ,42			CK73GB1H103K	CHIP C 0.010UF K	
C81 ,82			CC73GCH1H330J	CHIP C 33PF J	
C83			CK73GB1H472K	CHIP C 4700PF K	
J1		*	E59-0860-05	RECTANGULAR PLUG	
J2		*	E11-0669-05	3.5D PHONE JACK	
J3		*	E58-1129-05	RECTANGULAR RECEPTACLE	
CP11			RK74GA1J101J	CHIP-COM 100 J 1/16W	
CP13			RK74HB1J101J	CHIP-COM 100 J 1/16W	
CP14			RK74HB1J473J	CHIP-COM 47K J 1/16W	
CP15			RK74HB1J101J	CHIP-COM 100 J 1/16W	
R10			RK73GB2A104J	CHIP R 100K J 1/10W	
R11			RK73GB2A4R7J	CHIP R 4.7 J 1/10W	
R12			RK73GB2A104J	CHIP R 100K J 1/10W	
R13			RK73GB2A101J	CHIP R 100 J 1/10W	
R15			RK73GB2A101J	CHIP R 100 J 1/10W	
R21			RK73GB2A104J	CHIP R 100K J 1/10W	
R22			RK73GB2A101J	CHIP R 100 J 1/10W	
R24			RK73GB2A000J	CHIP R 0.0 J 1/10W	

K : KDC-MP345U M1 : KDC-U446 C1 : KDC-U5046
E : KDC-4547UW E1 : KDC-4547UB

△ Indicates safety critical components.

PARTS LIST

SWITCH UNIT (X16-676x-xx)

Ref. No.	Add	New	Parts No.	Description	Destination
R31			RK73PB2H7R5J	CHIP R 7.5 J 1/2W	
R51			RK73EB2E821J	CHIP R 820 J 1/4W	
R52			RK73FB2B821J	CHIP R 820 J 1/8W	KM1EE1
R52 ,53			RK73FB2B621J	CHIP R 620 J 1/8W	C1
R53			RK73FB2B102J	CHIP R 1.0K J 1/8W	KM1EE1
R54			RK73FB2B102J	CHIP R 1.0K J 1/8W	K
R54 -56			RK73FB2B391J	CHIP R 390 J 1/8W	C1
R54 -57			RK73FB2B821J	CHIP R 820 J 1/8W	M1EE1
R55 ,56			RK73FB2B621J	CHIP R 620 J 1/8W	K
R57			RK73FB2B102J	CHIP R 1.0K J 1/8W	K
R58			RK73FB2B391J	CHIP R 390 J 1/8W	C1
R59 ,60			RK73FB2B182J	CHIP R 1.8K J 1/8W	K
R61			RK73FB2B391J	CHIP R 390 J 1/8W	C1
R75			RK73GB2A471J	CHIP R 470 J 1/10W	KM1EE1
R81 ,82			RK73GB2A220J	CHIP R 22 J 1/10W	
S1			T99-0484-05	ROTARY ENCODER	
D81	*		HZM6.8ZMWA-E	ZENER DIODE	
D82			DA204U	DIODE	
ED1	*		3-BT-266INK	FLUORESCENT INDICATOR TUBE	
IC2			PIC95603	ANALOGUE IC	
Q20			RT1N441U-T111	TRANSISTOR	
Q21 -23	*		RT1P237M-T111	TRANSISTOR	

CD PLAYER UNIT (X32-6250-00) IN CD MECHA

C1			CK73FB0J106K	CHIP C 10UF K	
C3			CC73GCH1H680J	CHIP C 68PF J	
C4			CK73GB1A105K	CHIP C 1.0UF K	
C6			CK73FB1C105K	CHIP C 1.0UF K	
C8			CK73GB1H222K	CHIP C 2200PF K	
C9 ,10			CK73GB1C104K	CHIP C 0.10UF K	
C11			CK73GB1H153K	CHIP C 0.015UF K	
C12			CK73GB1C104K	CHIP C 0.10UF K	
C13			CK73GB1H332K	CHIP C 3300PF K	
C14			CK73GB1H103K	CHIP C 0.010UF K	
C15			CK73GB1C333K	CHIP C 0.033UF K	
C16			CK73GB1C104K	CHIP C 0.10UF K	
C18			CK73GB1H153K	CHIP C 0.015UF K	
C19			CK73GB1H103K	CHIP C 0.010UF K	
C20			CK73GB1C104K	CHIP C 0.10UF K	
C22			CK73GB1H103K	CHIP C 0.010UF K	
C23			CK73GB1H153K	CHIP C 0.015UF K	
C24			CC73GCH1H470J	CHIP C 47PF J	
C25			CK73GB1C104K	CHIP C 0.10UF K	
C26			CK73GB1A105K	CHIP C 1.0UF K	
C27			CK73GB1C104K	CHIP C 0.10UF K	
C29 ,30			CK73GB1C104K	CHIP C 0.10UF K	
C31			CK73GB1A105K	CHIP C 1.0UF K	
C36			CK73GB1A105K	CHIP C 1.0UF K	
C41 ,42			CK73GB1C104K	CHIP C 0.10UF K	
C43 ,44			CK73GB1H102K	CHIP C 1000PF K	
C45			CK73GB1H103K	CHIP C 0.010UF K	
C46			CK73GB1A105K	CHIP C 1.0UF K	
C47			CC73GCH1H560J	CHIP C 56PF J	
C48			CC73GCH1H101J	CHIP C 100PF J	

Ref. No.	Add	New	Parts No.	Description	Destination
C49			CK73GB1A105K	CHIP C 1.0UF K	
C50			CK73FB1A225K	CHIP C 2.2UF K	
C51			CK73FB0J106K	CHIP C 10UF K	
C54			CK73FB0J106K	CHIP C 10UF K	
C57			CK73GB1C104K	CHIP C 0.10UF K	
C59			CK73GB1H472K	CHIP C 4700PF K	
C61			CK73GB1C104K	CHIP C 0.10UF K	
C101			CK73GB1A105K	CHIP C 1.0UF K	
C103			CK73GB1C104K	CHIP C 0.10UF K	
CN1			E41-2954-05	FLAT CABLE CONNECTOR	
CN2			E41-2630-05	FLAT CABLE CONNECTOR	
X1			L78-1221-05	RESONATOR (16.93MHZ)	
CP7			RK74GB1J103J	CHIP-COM 10K J 1/16W	
R1			RK73GB2A560J	CHIP R 56 J 1/10W	
R2			RK73GB2A472J	CHIP R 4.7K J 1/10W	
R3			RK73GB2A4R7J	CHIP R 4.7 J 1/10W	
R4			RK73GB2A104J	CHIP R 100K J 1/10W	
R5			RK73GB2A225J	CHIP R 2.2M J 1/10W	
R6			RK73GB2A102J	CHIP R 1.0K J 1/10W	
R7			RK73GB2A221J	CHIP R 220 J 1/10W	
R8			RK73GB2A622J	CHIP R 6.2K J 1/10W	
R9			RK73GB2A913J	CHIP R 91K J 1/10W	
R10			RK73GB2A334J	CHIP R 330K J 1/10W	
R11			RK73GB2A153J	CHIP R 15K J 1/10W	
R13			RK73GB2A104J	CHIP R 100K J 1/10W	
R14			RK73GB2A103J	CHIP R 10K J 1/10W	
R15			RK73GB2A101J	CHIP R 100 J 1/10W	
R17 ,18			RK73GB2A103J	CHIP R 10K J 1/10W	
R25			RK73GB2A103J	CHIP R 10K J 1/10W	
R27			RK73EB2E4R7J	CHIP R 4.7 J 1/4W	
R39			RK73GB2A105J	CHIP R 1.0M J 1/10W	
R40			RK73GB2A681J	CHIP R 680 J 1/10W	
R43 ,44			RK73GB2A4R7J	CHIP R 4.7 J 1/10W	
R49			RK73GB2A393J	CHIP R 39K J 1/10W	
R50			RK73GB2A363J	CHIP R 36K J 1/10W	
R51			RK73GB2A102J	CHIP R 1.0K J 1/10W	
R52 -58			RK73GB2A101J	CHIP R 100 J 1/10W	
R59			RK73GB2A204J	CHIP R 200K J 1/10W	
R64			RK73GB2A223J	CHIP R 22K J 1/10W	
R65			RK73GB2A333J	CHIP R 33K J 1/10W	
R69 -73			RK73GB2A101J	CHIP R 100 J 1/10W	
R74 ,75			RK73GB2A103J	CHIP R 10K J 1/10W	
R76			RK73GB2A202J	CHIP R 2.0K J 1/10W	
R102			RK73GB2A102J	CHIP R 1.0K J 1/10W	
S1 ,2			S68-0924-05	PUSH SWITCH	
D2			DAP202U	DIODE	
D3 ,4			DA204U	DIODE	
IC3			BD8222EFV	ANALOGUE IC	
IC4			TC94A92FG-301	MOS-IC	
IC5			XC6415S001P1	MOS-IC	
Q1			2SB0970	TRANSISTOR	
Q14			RUE003N02	FET	

K : KDC-MP345U M1 : KDC-U446 C1 : KDC-U5046
E : KDC-4547UW E1 : KDC-4547UB

△ Indicates safety critical components.

PARTS LIST

Ref. No.	Add	New	Parts No.	Description	Destination
ELECTRIC UNIT (X34-660x-xx)					
C1		*	C90-6906-05	ELECTRO 3300UF 16WV	M1C1
C2			CD04AV1C220M	ELECTRO 22UF 16WV	
C3			CK73GB1H104K	CHIP C 0.10UF K	
C4			CK73GB1H104K	CHIP C 0.10UF K	
C5			CD04BN1C221M	ELECTRO 220UF 16WV	
C7			CD04AV0J101M	ELECTRO 100UF 6.3WV	M1C1
C9			CK73GB1C104K	CHIP C 0.10UF K	
C11			CK73FB1A225K	CHIP C 2.2UF K	
C14			CK73GB1C104K	CHIP C 0.10UF K	
C17			CK73GB1C104K	CHIP C 0.10UF K	
C55			CK73FB0J106K	CHIP C 10UF K	
C56			CK73GB1H102K	CHIP C 1000PF K	
C57			CK73GB1A474K	CHIP C 0.47UF K	
C58			CK73FB0J106K	CHIP C 10UF K	
C59 ,60			CK73GB1C104K	CHIP C 0.10UF K	
C64			CD04BK1A221M	ELECTRO 220UF 10WV	M1C1
C65			CK73GB1H103K	CHIP C 0.010UF K	
C66 ,67			CK73GB1A105K	CHIP C 1.0UF K	
C68			CD04AV0J470M	ELECTRO 47UF 6.3WV	
C69			CK73GB1C104K	CHIP C 0.10UF K	
C73			CK73EB1H475K	CHIP C 4.7UF K	M1C1
C75			CC73GCH1H390J	CHIP C 39PF J	
C101,102			CK73GB1H103K	CHIP C 0.010UF K	
C201			CK73GB1A105K	CHIP C 1.0UF K	
C202			CC73GCH1H270J	CHIP C 27PF J	
C203			CC73GCH1H220J	CHIP C 22PF J	
C204			CK73GB1C104K	CHIP C 0.10UF K	
C207,208			CK73GB1C104K	CHIP C 0.10UF K	
C301,302			CD04AV1HR47M	ELECTRO 0.47UF 50WV	
C303			CC73GCH1H150J	CHIP C 15PF J	
C306,307			CK73GB1C104K	CHIP C 0.10UF K	M1C1
C308			CD04AV0J470M	ELECTRO 47UF 6.3WV	
C309			CK73GB1H103K	CHIP C 0.010UF K	
C310,311			CK73GB1H102K	CHIP C 1000PF K	
C315,316			CC73GCH1H100D	CHIP C 10PF D	
C401			CD04AV1C470M	ELECTRO 47UF 16WV	
C403			CD04AV1H010M	ELECTRO 1UF 50WV	
C404-407			CK73GB1A105K	CHIP C 1.0UF K	
C501			CK73GB1H102K	CHIP C 1000PF K	
C502			CK73GB1A105K	CHIP C 1.0UF K	
C505			CK73GB1A224K	CHIP C 0.22UF K	M1C1
C506			CK73GB1C104K	CHIP C 0.10UF K	
C507			CC73GCH1H090D	CHIP C 9.0PF D	
C509-511			CK73GB1A105K	CHIP C 1.0UF K	
C512-514			CK73GB1H103K	CHIP C 0.010UF K	
C515			CK73GB1C104K	CHIP C 0.10UF K	M1C1
C516			CK73GB1H103K	CHIP C 0.010UF K	
C517			CK73GB1C104K	CHIP C 0.10UF K	
C518			CK73GB1H102K	CHIP C 1000PF K	
C519			CD04AV1C470M	ELECTRO 47UF 16WV	
C520			CK73GB1C104K	CHIP C 0.10UF K	M1C1
C523			CK73GB1H102K	CHIP C 1000PF K	
C524			CK73GB1A224K	CHIP C 0.22UF K	

Ref. No.	Add	New	Parts No.	Description	Destination
C525			CC73GCH1H270J	CHIP C 27PF J	M1C1
C527			CC73GCH1H150J	CHIP C 15PF J	
C528			CC73GCH1H471J	CHIP C 470PF J	
C530			CK73GB1H102K	CHIP C 1000PF K	
C531			CC73GCH1H070D	CHIP C 7.0PF D	
C531,532			CC73GCH1H040C	CHIP C 4.0PF C	M1C1
C532			CC73GCH1H060D	CHIP C 6.0PF D	
C533			CC73GCH1H020C	CHIP C 2.0PF C	
C534			CC73GCH1H471J	CHIP C 470PF J	
C535			CC73GCH1H221J	CHIP C 220PF J	
C542			CK73GB1H103K	CHIP C 0.010UF K	M1C1
C544			CC73GCH1H331J	CHIP C 330PF J	
C545,546			CC73GCH1H120J	CHIP C 12PF J	
C548			CK73GB0J225K	CHIP C 2.2UF K	
C549			CK73GB1H103K	CHIP C 0.010UF K	
C703,704			CD04AV1V100M	ELECTRO 10UF 35WV	M1C1
C705,706			CD04AV1V100M	ELECTRO 10UF 35WV	
C801-804			CK73GB1A224K	CHIP C 0.22UF K	
C805			CD04AV1V100M	ELECTRO 10UF 35WV	
C806,807			CK73GB1A105K	CHIP C 1.0UF K	
C809			CK73GB1A105K	CHIP C 1.0UF K	M1C1
C851-858			CK73GB1H472K	CHIP C 4700PF K	
C859			CK73GB1H104K	CHIP C 0.10UF K	
C901			CK73GB1H103K	CHIP C 0.010UF K	
C902			CC73GCH1H180J	CHIP C 18PF J	
C903			CC73GCH1H220J	CHIP C 22PF J	
C904-906			CK73GB1H103K	CHIP C 0.010UF K	
C908,909			CK73GB1H103K	CHIP C 0.010UF K	
C911,912			CC73GCH1H100D	CHIP C 10PF D	
C914			CK73GB1H103K	CHIP C 0.010UF K	
C915			CK73GB1A105K	CHIP C 1.0UF K	M1C1
C916,917			CK73FB0J106K	CHIP C 10UF K	
C918			CK73GB1A105K	CHIP C 1.0UF K	
C922			CK73FB0J106K	CHIP C 10UF K	
C952			CK73GB1C104K	CHIP C 0.10UF K	
C955			CC73GCH1H070D	CHIP C 7.0PF D	M1C1
CN2			E41-1828-05	FLAT CABLE CONNECTOR	
J1			E58-0991-05	RECTANGULAR RECEPTACLE	
J3			E58-1060-15	RECTANGULAR RECEPTACLE	
J5		*	E63-0973-05	PIN JACK	
J5		*	E63-0974-05	PIN JACK	
W551	2D		E30-6803-05	CORD WITH PLUG	
L1			L33-2459-05	CHOKE COIL ASSY	
L51			L33-2462-05	SMALL FIXED INDUCTOR (22UH)	
L71			L92-0639-05	CHIP FERRITE	
L73			L92-0639-05	CHIP FERRITE	
L401			L40-4791-58	SMALL FIXED INDUCTOR	
L501			L40-4791-58	SMALL FIXED INDUCTOR	M1C1
L502,503			L33-1031-05	SMALL FIXED INDUCTOR	
L504		*	L40-2781-58	SMALL FIXED INDUCTOR (0.27UH)	
L505			L40-4791-58	SMALL FIXED INDUCTOR	
L506			L40-1091-58	SMALL FIXED INDUCTOR (1.0UH)	
L506		*	L40-4781-58	SMALL FIXED INDUCTOR	KEE1

K : KDC-MP345U M1 : KDC-U446 C1 : KDC-U5046
E : KDC-4547UW E1 : KDC-4547UB

△ Indicates safety critical components.

PARTS LIST

ELECTRIC UNIT (X34-660x-xx)

Ref. No.	Add	New	Parts No.	Description	Destination	Ref. No.	Add	New	Parts No.	Description	Destination
L507		*	L40-1891-58	SMALL FIXED INDUCTOR (1.8UH)	KEE1	R225			RK73GB2A473J	CHIP R 47K J 1/10W	M1C1
L507		*	L40-3391-58	SMALL FIXED INDUCTOR (3.3UH)	M1C1	R226			RK73GB2A223J	CHIP R 22K J 1/10W	M1C1
L508		*	L40-4781-58	SMALL FIXED INDUCTOR		R226			RK73GB2A473J	CHIP R 47K J 1/10W	K
L551		*	L31-0993-05	FM-RF COIL		R231,232			RK73GB2A472J	CHIP R 4.7K J 1/10W	
L750,751			L92-0648-05	CHIP FERRITE		R251,252			RK73GB2A101J	CHIP R 100 J 1/10W	
X1		*	L78-1235-05	RESONATOR (16.0MHZ)		R253,254			RK73GB2A223J	CHIP R 22K J 1/10W	
X2			L77-2920-05	CRYSTAL RESONATOR		R255-257			RK73GB2A101J	CHIP R 100 J 1/10W	
X3			L77-3825-05	CRYSTAL RESONATOR (4.332MHZ)	EE1	R258			RK73GB2A223J	CHIP R 22K J 1/10W	
X501		*	L77-3824-05	CRYSTAL RESONATOR (4.000MHZ)		R259			RK73GB2A101J	CHIP R 100 J 1/10W	
X900			L77-2921-15	CRYSTAL RESONATOR (32.768KHZ)		R260			RK73GB2A223J	CHIP R 22K J 1/10W	
X901		*	L77-3826-05	CRYSTAL RESONATOR (9.00MHZ)		R261-267			RK73GB2A101J	CHIP R 100 J 1/10W	
G	2D		N80-3008-48	PAN HEAD TAPTITE SCREW		R268-271			RK73GB2A473J	CHIP R 47K J 1/10W	
H	2D		N83-3005-48	PAN HEAD TAPTITE SCREW		R272			RK73GB2A104J	CHIP R 100K J 1/10W	EE1
J	2D		N83-3016-48	PAN HEAD TAPTITE SCREW		R272			RK73GB2A104J	CHIP R 100K J 1/10W	KM1C1
K	2D		N86-2606-48	BINDING HEAD TAPTITE SCREW		R301			RK73GB2A222J	CHIP R 2.2K J 1/10W	
L	2D		N89-3010-48	BINDING HEAD TAPTITE SCREW		R302			RD14BB2C101J	RD 100 J 1/6W	
R1			RD14BB2C102J	RD 1.0K J 1/6W		R306,307			RK73GB2A222J	CHIP R 2.2K J 1/10W	
R2_3			RK73GB2A103J	CHIP R 10K J 1/10W		R308			RK73GB2A100J	CHIP R 10 J 1/10W	
R5			RK73GB2A103J	CHIP R 10K J 1/10W		R317			RK73GB2A222J	CHIP R 2.2K J 1/10W	
R15			RD14DB2H7R5J	SMALL-RD 7.5 J 1/2W		R318			RK73GB2A472J	CHIP R 4.7K J 1/10W	
R19			RK73GB2A100J	CHIP R 10 J 1/10W		R319			RK73GB2A222J	CHIP R 2.2K J 1/10W	
R53			RK73GH2A153D	CHIP R 15K D 1/10W		R320			RK73GB2A472J	CHIP R 4.7K J 1/10W	
R54			RK73GH2A823D	CHIP R 82K D 1/10W		R330			RD14BB2C101J	RD 100 J 1/6W	
R55			RK73GB2A103J	CHIP R 10K J 1/10W		R331			RK73GB2A392J	CHIP R 3.9K J 1/10W	
R56			RK73GH2A223D	CHIP R 22K D 1/10W		R332			RD14BB2C101J	RD 100 J 1/6W	
R57			RK73GH2A333D	CHIP R 33K D 1/10W		R333,334			RD14BB2C102J	RD 1.0K J 1/6W	
R58			RK73GB2A473J	CHIP R 47K J 1/10W		R336-339			RK73GB2A222J	CHIP R 2.2K J 1/10W	
R59			RK73GB2A203J	CHIP R 20K J 1/10W		R340			RK73GB2A225J	CHIP R 2.2M J 1/10W	
R62			RK73GB2A223J	CHIP R 22K J 1/10W		R341			RK73GB2A222J	CHIP R 2.2K J 1/10W	
R101			RD14BB2C472J	RD 4.7K J 1/6W		R342			RK73GB2A392J	CHIP R 3.9K J 1/10W	
R102			RD14BB2C472J	RD 4.7K J 1/6W	EE1	R343			RD14BB2C102J	RD 1.0K J 1/6W	
R102			RD14BB2C472J	RD 4.7K J 1/6W	M1C1	R344,345			RD14BB2C4R7J	RD 4.7 J 1/6W	
R106			RD14BB2C332J	RD 3.3K J 1/6W		R346			RD14BB2C2R2J	RD 2.2 J 1/6W	
R107			RD14BB2C333J	RD 33K J 1/6W		R347			RK73GB2A102J	CHIP R 1.0K J 1/10W	
R108			RK73GB2A103J	CHIP R 10K J 1/10W		R348,349			RK73GB2A103J	CHIP R 10K J 1/10W	
R109			RK73GB2A223J	CHIP R 22K J 1/10W		R350			RK73GB2A104J	CHIP R 100K J 1/10W	
R110			RK73FB2B683J	CHIP R 68K J 1/8W		R352,353			RD14BB2C100J	RD 10 J 1/6W	
R111			RK73GB2A473J	CHIP R 47K J 1/10W		R401			RK73GB2A103J	CHIP R 10K J 1/10W	
R112			RD14BB2C203J	RD 20K J 1/6W		R402,403			RK73GB2A471J	CHIP R 470 J 1/10W	
R113			RK73GB2A104J	CHIP R 100K J 1/10W		R505			RK73GB2A472J	CHIP R 4.7K J 1/10W	
R114,115			RK73GB2A103J	CHIP R 10K J 1/10W		R506			RK73EB2E220J	CHIP R 22 J 1/4W	
R116,117			RK73GB2A682J	CHIP R 6.8K J 1/10W		R507,508			RK73GB2A221J	CHIP R 220 J 1/10W	
R118			RD14BB2C103J	RD 10K J 1/6W		R513,514			RK73GB2A474J	CHIP R 470K J 1/10W	M1C1
R119			RK73GB2A473J	CHIP R 47K J 1/10W		R513,514			RK73GB2A684J	CHIP R 680K J 1/10W	KEE1
R120			RK73GB2A104J	CHIP R 100K J 1/10W		R515,516			RK73GB2A392J	CHIP R 3.9K J 1/10W	
R151			RK73GB2A000J	CHIP R 0.0 J 1/10W	M1C1	R525			RK73GB2A101J	CHIP R 100 J 1/10W	M1C1
R152			RK73GB2A000J	CHIP R 0.0 J 1/10W	EE1	R527			RK73GB2A4R7J	CHIP R 4.7 J 1/10W	
R203,204			RK73GB2A103J	CHIP R 10K J 1/10W		R541			RD14BB2C222J	RD 2.2K J 1/6W	EE1
R205			RK73GB2A473J	CHIP R 47K J 1/10W		R542,543			RK73GB2A222J	CHIP R 2.2K J 1/10W	EE1
R207			RK73GB2A473J	CHIP R 47K J 1/10W		R544			RK73GB2A512J	CHIP R 5.1K J 1/10W	EE1
R208			RD14BB2C473J	RD 47K J 1/6W		R545			RK73GB2A102J	CHIP R 1.0K J 1/10W	EE1
R209-212			RK73GB2A471J	CHIP R 470 J 1/10W		R650			RK73EB2E471J	CHIP R 470 J 1/4W	EE1
R218			RK73GB2A223J	CHIP R 22K J 1/10W		R650			RK73EB2E471J	CHIP R 470 J 1/4W	M1C1
R225			RK73GB2A473J	CHIP R 47K J 1/10W	EE1	R707,708			RK73GB2A331J	CHIP R 330 J 1/10W	KM1C1
						R709,710			RK73GB2A223J	CHIP R 22K J 1/10W	KM1C1

K : KDC-MP345U M1 : KDC-U446 C1 : KDC-U5046
E : KDC-4547UW E1 : KDC-4547UB

△ Indicates safety critical components.

PARTS LIST

ELECTRIC UNIT (X34-660x-xx)

Ref. No.	Ad	New	Parts No.	Description	Destination
R711,712			RK73FB2B181J	CHIP R 180 J 1/8W	KM1C1
R713,714			RK73GB2A331J	CHIP R 330 J 1/10W	
R715,716			RK73GB2A223J	CHIP R 22K J 1/10W	
R717,718			RK73FB2B181J	CHIP R 180 J 1/8W	
R754			RK73EB2E000J	CHIP R 0.0 J 1/4W	
R802			RK73GB2A473J	CHIP R 47K J 1/10W	
R804			RK73GB2A331J	CHIP R 330 J 1/10W	
R805			RK73GB2A473J	CHIP R 47K J 1/10W	
R806			RK73GB2A512J	CHIP R 5.1K J 1/10W	
R808			RK73GB2A100J	CHIP R 10 J 1/10W	
R809			RD14BB2C102J	RD 1.0K J 1/6W	
R811			RK73GB2A473J	CHIP R 47K J 1/10W	
R812			RK73GB2A432J	CHIP R 4.3K J 1/10W	
R813			RK73EB2E000J	CHIP R 0.0 J 1/4W	
R814			RK73GB2A000J	CHIP R 0.0 J 1/10W	
R900			RK73GB2A102J	CHIP R 1.0K J 1/10W	
R904			RK73GB2A223J	CHIP R 22K J 1/10W	
R905			RK73GB2A101J	CHIP R 100 J 1/10W	
R906			RK73GB2A223J	CHIP R 22K J 1/10W	
R907			RK73GB2A104J	CHIP R 100K J 1/10W	
R908			RK73GB2A101J	CHIP R 100 J 1/10W	
R909,910			RK73GB2A102J	CHIP R 1.0K J 1/10W	
R911			RK73GB2A223J	CHIP R 22K J 1/10W	
R913			RK73GB2A101J	CHIP R 100 J 1/10W	
R914			RK73GB2A223J	CHIP R 22K J 1/10W	
R915			RK73GB2A102J	CHIP R 1.0K J 1/10W	
R916			RK73GB2A101J	CHIP R 100 J 1/10W	
R917,918			RK73GB2A102J	CHIP R 1.0K J 1/10W	
R919			RK73GB2A101J	CHIP R 100 J 1/10W	
R920			RK73GB2A223J	CHIP R 22K J 1/10W	
R921			RK73GB2A101J	CHIP R 100 J 1/10W	
R922			RK73GB2A101J	CHIP R 100 J 1/10W	
R923			RK73GB2A223J	CHIP R 22K J 1/10W	
R924			RK73GB2A101J	CHIP R 100 J 1/10W	
R926			RK73GB2A000J	CHIP R 0.0 J 1/10W	
R927			RK73GB2A105J	CHIP R 1.0M J 1/10W	
R928			RK73GB2A223J	CHIP R 22K J 1/10W	
R929			RK73GB2A100J	CHIP R 10 J 1/10W	
R930			RK73GB2A153J	CHIP R 15K J 1/10W	
R931			RK73GB2A100J	CHIP R 10 J 1/10W	
R932			RK73GB2A153J	CHIP R 15K J 1/10W	
R934-937			RK73GB2A101J	CHIP R 100 J 1/10W	
R938			RK73GB2A223J	CHIP R 22K J 1/10W	
R939,940			RK73GB2A101J	CHIP R 100 J 1/10W	
R941			RK73GB2A332J	CHIP R 3.3K J 1/10W	
R942			RK73GB2A101J	CHIP R 100 J 1/10W	
R943			RK73GB2A332J	CHIP R 3.3K J 1/10W	
R944-946			RK73GB2A101J	CHIP R 100 J 1/10W	
R947			RK73GB2A223J	CHIP R 22K J 1/10W	
R952			RK73GB2A101J	CHIP R 100 J 1/10W	
R954			RK73GB2A223J	CHIP R 22K J 1/10W	
R955,956			RK73GB2A101J	CHIP R 100 J 1/10W	
R967			RK73GB2A223J	CHIP R 22K J 1/10W	
R968			RK73GB2A333J	CHIP R 33K J 1/10W	
R969			RK73FB2B2R2J	CHIP R 2.2 J 1/8W	

Ref. No.	Ad	New	Parts No.	Description	Destination
R970			RK73GB2A000J	CHIP R 0.0 J 1/10W	
R972			RK73GB2A102J	CHIP R 1.0K J 1/10W	
R974			RK73GB2A000J	CHIP R 0.0 J 1/10W	
S3		*	S70-0959-05	TACT SWITCH	M1C1
D1			S2V60-5009F46	DIODE	
D2			HZS9-E (A1)	ZENER DIODE	
D3			D1F60-5063	DIODE	
D4 ,5		*	HSS4148	DIODE	
D51			CMS14	DIODE	M1C1
D101,102			D1F60-5063	DIODE	
D103,104			D1F60-5063	DIODE	
D103,104			D1F60-5063	DIODE	
D106-108			MTZJ6.8(B)	ZENER DIODE	
D109			HZS5-E (B1)	ZENER DIODE	EE1 M1C1
D110		*	MC2848-T111	DIODE	
D304-306			HZS7-E (A3)	ZENER DIODE	
D311,312			LVS10C270S030	VARIATOR	
D313			HZM6.8ZMWA-E	ZENER DIODE	
D401			HSS4148	DIODE	EE1 M1C1
D501			IMSA-6802-E	SURGE ABSORBER	
D650			HZS7-E (A3)	ZENER DIODE	
D650			HZS7-E (A3)	ZENER DIODE	
D801,802		*	HSS4148	DIODE	
IC1		*	W05-1545-00	MICROCONTROLLER IC	EE1
IC2		*	E-TDA7718N	ANALOGUE IC	
IC4		*	BD49131-V4	ANALOGUE IC	
IC6			TB2926HQ	ANALOGUE IC	
IC7			E-TDA7478AD	ANALOGUE IC	
IC8		*	XC6120N362N-G	MOS-IC	EE1
IC51	2D		Impossible to repair	ANALOGUE IC (See exploded view)	
IC52		*	BD2224G	MOS-IC	
IC53			R1114N331B-TR	ANALOGUE IC	
IC251			TC74VHCT08AFT	MOS-IC	
IC252			74LVCO8APW	MOS-IC	KM1C1 EE1
IC501		*	TEF6606T/V5	ANALOGUE IC	
IC501		*	TEF6606T/V5S3	ANALOGUE IC	
IC900		*	92CD28AFG7EG0	MICROCONTROLLER IC	
IC950			MFI341S2162	MICROPROCESSOR IC	
Q2			KTA1046-P	TRANSISTOR	M1C1 M1C1
Q3		*	2SC4154T1 (E,F)	TRANSISTOR	
Q11		*	RT1N241M-T111	TRANSISTOR	
Q12		*	RT1P241M-T111	TRANSISTOR	
Q13		*	RT1N241M-T111	TRANSISTOR	
Q14		*	RT1P241M-T111	TRANSISTOR	M1C1 M1C1
Q53		*	RT1N441M-T111	TRANSISTOR	
Q101-103			2SC4081	TRANSISTOR	
Q104,105		*	RT1N441M-T111	TRANSISTOR	
Q301		*	RT1P144M-T111	TRANSISTOR	
Q703,704		*	RT1N430M-T111	TRANSISTOR	KM1C1
Q705,706		*	RT1N430M-T111	TRANSISTOR	
Q707		*	RT1P241M-T111	TRANSISTOR	
Q902		*	RT1N144M-T111	TRANSISTOR	
Q903			2SA1577	TRANSISTOR	
Q905		*	RT1N441M-T111	TRANSISTOR	

K : KDC-MP345U M1 : KDC-U446 C1 : KDC-U5046
E : KDC-4547UW E1 : KDC-4547UB

△Indicates safety critical components.

PARTS LIST

ELECTRIC UNIT (X34-660x-xx)

Ref. No.	Added	New	Parts No.	Description	Destination
TH1			PRF18BE471QS2	POSITIVE RESISTOR	
MECHANISM ASSY (X92-6370-00) DXM-9B20W					
1	2B	*	A10-5450-63	CHASSIS ASSY	
3	3B		A10-5452-41	CHASSIS	
4	1B		A10-5453-32	CHASSIS	
12	3A		D10-4993-52	LEVER	
13	1B		D10-4991-22	ARM	
14	1B		D10-4992-13	ARM	
15	2A		D10-4994-02	SLIDER	
16	2A		D10-4995-03	SLIDER	
17	2B		D10-4996-02	SLIDER	
18	2A		D10-4997-03	LEVER	
19	1A		D10-4998-03	ARM	
20	2A		D10-4999-03	ARM	
21	2A		D10-7001-03	ARM	
22	2A		D10-7002-03	ARM	
23	2A		D10-7003-03	ARM	
24	2A		D13-2445-04	GEAR	
25	2A		D13-2446-04	GEAR	
27	2A		D13-2448-04	GEAR	
28	2A		D13-2449-04	GEAR	
29	2A		D13-2450-04	GEAR	
30	2A		D13-2451-04	GEAR	
31	2A		D13-2452-04	GEAR	
32	2A		D13-2453-04	GEAR	
33	2A		D13-2454-04	GEAR	
34	2A		D13-2455-04	GEAR	
35	2B		D13-2456-03	RACK (GEAR)	
36	2A		D14-1028-04	ROLLER	
37	3A		D21-2507-04	SHAFT	
38	2B		D21-2508-04	SHAFT	
39	3A		D23-0963-04	RETAINER	
40	3B		D39-0277-15	DAMPER	
41	3B		D39-0278-15	DAMPER	
46	1B		G01-4682-34	TORSION COIL SPRING	
47	3A		G01-4683-24	EXTENSION SPRING	
48	2A		G01-4684-04	EXTENSION SPRING	
49	2B		G01-4685-04	EXTENSION SPRING	
50	1B		G01-4686-14	EXTENSION SPRING	
51	3A		G01-4688-14	EXTENSION SPRING	
52	3A		G01-4692-24	TORSION COIL SPRING	
53	2B		G02-1587-04	FLAT SPRING	
54	3A		G02-1588-04	FLAT SPRING	
55	1B		G13-1297-04	CUSHION	
56	1B		G13-1299-14	CUSHION	
57	1A		G16-1715-04	SHEET	
61	1B		J11-0675-03	CLAMPER	
64	2A		J19-7210-21	HOLDER	
65	2B		J19-7225-04	HOLDER	
66	1B		J22-0706-03	MOUNTING HARDWARE	
67	1A		J22-0707-12	MOUNTING HARDWARE	
68	1B		J90-1166-11	GUIDE	
69	2B		J90-1168-03	RAIL	

Ref. No.	Added	New	Parts No.	Description	Destination
A	1A		N09-6108-15	TAPTITE SCREW (M2X3.5)	
B	2B		N09-6426-15	MACHINE SCREW	
C	2B		N09-6735-05	TAPTITE SCREW	
D	2B		N09-6737-15	MACHINE SCREW	
E	2B		N09-6738-15	TAPTITE SCREW	
F	2A		N19-2335-14	FLAT WASHER	
G	2B		N35-2003-48	BINDING HEAD MACHINE SCREW	
H	2B		N39-1720-48	PAN HEAD MACHINE SCREW	
76	2A		S68-0921-05	PUSH SWITCH	
DM1	2B		X94-2090-00	SPINDLE MOTOR ASSY	
DM2	2B		X94-2100-00	FEED MOTOR ASSY (LOAD/SLED)	
DPU1	2B		X93-2280-00	OPTICAL PICKUP ASSY	

K : KDC-MP345U M1 : KDC-U446 C1 : KDC-U5046
E : KDC-4547UW E1 : KDC-4547UB

△ Indicates safety critical components.