

## PARTS LIST

• New Parts.  $\Delta$  indicates safety critical components.  
 Parts without **Parts No.** are not supplied.  
 Les articles non mentionnés dans le **Parts No.** ne sont pas fournis.  
 Teile ohne **Parts No.** werden nicht geliefert.

L: Scandinavia      K: USA      P: Canada  
 Y: PX (Far East, Hawaii)      T: England      E: Europe  
 Y: AAFES (Europe)      X: Australia      M: Other Areas

TK-372/(N)

Ref. No.	Address	New parts	Parts No.	Description	Destination	Ref. No.	Address	New parts	Parts No.	Description	Destination
<b>TK-372/(N)</b>											
1	1B	*	A02-2364-03	CABINET ASSY (FRONT)		42	1B		T07-0326-05	SPEAKER	
2	3A		A10-1378-01	CHASSIS (REAR)		43	-		T90-0380-15	WHIP ANTENNA	
3	2B	*	A62-0687-04	PANEL (TOP)		44	-		W08-0573-05	AC ADAPTER	K,NK
4	1A		B01-0682-02	ESCUTCHEON (PTT)		44	-		W08-0574-05	AC ADAPTER	M,M2
5	1B		B09-0351-03	CAP (SP/MIC)		45	-	*	W08-0590-05	CHARGER	
			B10-1243-13	FRONT GLASS		46	-	*	W09-0940-05	BATTERY ASSY	
6	3B		B11-1142-14	ILLUMINATION GUIDE		<b>TX-RX UNIT (X57-486X-XX) 0-15:K,M, 0-16:M2, 1-05:NK</b>					
7	1B		B42-3394-14	STANDARD LABEL		47	2B		B11-1143-03	ILLUMINATION GUIDE	
8	3A		B42-5656-04	STICKER		48	2B		B11-1169-04	FILTER	
10	-		B46-0470-00	WARRANTY CARD		49	1B		B38-0755-05	LCD	
11	-	*	B62-1083-00	INSTRUCTION MANUAL		D1			B30-2143-05	LED(YG)	
12	3A	*	B72-1548-04	MODEL NAME PLATE	K,M	D2			B30-2019-05	LED(RE/GR)	
12	3A	*	B72-1549-04	MODEL NAME PLATE	NK	C1 .2			CK73GB1C273K	CHIP C 0.027UF K	
12	3A	*	B72-1550-04	MODEL NAME PLATE	M2	C3			CK73GB1H471K	CHIP C 470PF K	
13	3B		E04-0198-05	RF COAXIAL CONNECTOR		C4 .5			CK73GB1H103K	CHIP C 0.010UF K	
15	3A		E23-1006-04	TERMINAL (BATT-)		C6			CK73GB1H471K	CHIP C 470PF K	
16	2B		F20-1167-04	INSULATING SHEET		C7			CK73GB1C104K	CHIP C 0.10UF K	
17	2B		F20-1168-14	INSULATING SHEET(LCD)		C8			CC73GCH1H1000	CHIP C 10PF D	
18	1A		G01-0881-04	COIL SPRING(BATT RELEASE)		C9			CC73GCH1H221J	CHIP C 220PF J	
19	2B		G09-0418-05	KNOB SPRING		C10			CK73GB1H103K	CHIP C 0.010UF K	
20	3B		G11-0769-04	SHEET (CHASSIS/BATT)		C11			CC73GCH1H221J	CHIP C 220PF J	
22	3B		G11-0775-04	SHEET (CHASSIS)		C12			CK73GB1H471K	CHIP C 470PF K	
23	2B		G13-1512-04	FORMED PLATE (SP)		C13 .14			CC73GCH1H221J	CHIP C 220PF J	
24	2B		G53-0791-03	PACKING (SP/MIC)		C15			CC73GCH1H030C	CHIP C 3.0PF C	
25	2B		G53-0792-04	PACKING (BATT)		C16			CC73GCH1H1000	CHIP C 10PF D	
26	1B		G53-0794-03	PACKING (SP)		C17			CC73GCH1H221J	CHIP C 220PF J	
27	2B		G53-0808-02	PACKING (TOP)		C18			CK73GB1C104K	CHIP C 0.10UF K	
28	-		H12-1487-02	PACKING FIXTURE		C19 .20			CK73GB1H471K	CHIP C 470PF K	
29	-		H12-3015-03	PACKING FIXTURE		C21 -23			CC73GCH1H221J	CHIP C 220PF J	
30	-		H25-0085-04	PROTECTION BAG (100/200/0.07)		C24			CK73GB1H102K	CHIP C 1000PF K	
31	-		H25-2012-04	PROTECTION BAG (75/100/0.08)		C25			CK73GB1H471K	CHIP C 470PF K	
32	-	*	H52-1388-02	ITEM CARTON CASE		C26			CC73GCH1H221J	CHIP C 220PF J	
33	1A		J19-1572-04	HOLDER (BATT RELEASE)		C27			CK73GB1H471K	CHIP C 470PF K	
34	-		J21-4493-04	HARDWARE FIXTURE(SP/MIC)		C28			CK73GB1C104K	CHIP C 0.10UF K	
35	3A		J21-8307-14	HARDWARE FIXTURE(CHASSIS)		C29			CK73GB1H471K	CHIP C 470PF K	
36	3B		J29-0624-03	BELT HOOK		C30			CC73GCH1H101J	CHIP C 100PF J	
37	1A		K29-5068-03	LEVER KNOB (BATT RELEASE)		C31			CK73GB1H471K	CHIP C 470PF K	
38	1A		K29-5069-12	KEY TOP (PTT)		C32			CC73GCH1H101J	CHIP C 100PF J	
39	2B		K29-5167-13	KNOB (ENC)		C33			CK73GB1H103K	CHIP C 0.010UF K	
40	2B		K29-5168-13	KNOB (VOL)		C34 .35			CK73GB1H471K	CHIP C 470PF K	
41	2B		K29-5224-02	KEY TOP (4KEY)		C36			CC73GCH1H101J	CHIP C 100PF J	
A	2B		N14-0567-04	CIRCULAR NUT (ANT)		C37			CK73FB0J105K	CHIP C 1.0UF K	
B	2B		N14-0569-04	CIRCULAR NUT (ENC/VOL)		C39			CK73GB1C104K	CHIP C 0.10UF K	
C	3B		N30-2804-46	PAN HEAD MACHINE SCREW		C40			C92-0507-05	CHIP-TAN 4.7UF 6.3WV	
D	3A		N32-2005-46	FLAT HEAD MACHINE SCREW		C41			C92-0662-05	CHIP-TAN 15UF 6.3WV	
E	3A		N35-2610-45	BINDING HEAD MACHINE SCREW		C42 .43			CK73GB1H471K	CHIP C 470PF K	
F	3A		N79-2035-46	PAN HEAD TAPTITE SCREW		C44			CK73FB1H471K	CHIP C 470PF K	
G	2A, 2B		N83-2005-46	PAN HEAD TAPTITE SCREW		C45			CC73GCH1H130J	CHIP C 13PF J	
H	1B, 3B		N99-0396-05	SCREW SET		C46			CC73GCH1H200J	CHIP C 20PF J	
						C47 .48			CK73GB1H471K	CHIP C 470PF K	
						C49			CC73GCH1H101J	CHIP C 100PF J	
						C50			C92-0576-05	CHIP-TAN 1.0UF 6.3WV	

## PARTS LIST

TX-RX UNIT (X57-486X-XX)

Ref. No.	Address	New parts	Parts No.	Description	Destination	Ref. No.	Address	New parts	Parts No.	Description	Destination
C51			CK73GB1H471K	CHIP C 470PF K		C116			CK73GB1C104K	CHIP C 0.10UF K	
C52			CK73FB0J105K	CHIP C 1.0UF K		C117			CC73GCH1H06CD	CHIP C 6.0PF D	
C53,54			CK73GB1H102K	CHIP C 1800PF K		C118			CC73GCH1H090D	CHIP C 9.0PF D	M2
C55			CK73EF1C105Z	CHIP C 1.0UF Z		C118			CC73GCH1H100D	CHIP C 10PF D	K,NK,M
C56			C92-0521-05	CHIP-TAN 0.47UF 20WV		C119			C92-0560-05	CHIP-TAN 10UF 6.3WV	
C57			C92-0661-05	CHIP-TAN 2.2UF 10WV		C120			CC73GCH1H150J	CHIP C 15PF J	
C58			CK73GB1H471K	CHIP C 470PF K		C121			CK73GB1H103K	CHIP C 0.010UF K	
C59			C92-0001-05	CHIP-C 0.1UF 35WV		C122			CK73GB1H102K	CHIP C 1000PF K	K,NK,M
C60			CK73GB1H392K	CHIP C 3900PF K		C123			CK73FB1E104K	CHIP C 0.10UF K	
C61			CK73GB1C333K	CHIP C 0.033UF K		C124			CK73GB1H332K	CHIP C 3300PF K	
C62			C92-0002-05	CHIP-TAN 0.22UF 35WV		C125			CK73GB1H821K	CHIP C 820PF K	
C63			C92-0662-05	CHIP-TAN 15UF 6.3WV		C126			CC73GCH1H0108	CHIP C 1.0PF B	
C65			C92-0655-05	CHIP-TAN 4.7UF 6.3WV		C127			CC73GCH1H330J	CHIP C 33PF J	
C66			CK73GB1H471K	CHIP C 470PF K		C128			CC73GCH1H085B	CHIP C 0.5PF B	
C68			CK73GB1H471K	CHIP C 470PF K		C129			CK73GB1C333K	CHIP C 0.033UF K	
C70			CK73GB1H103K	CHIP C 0.010UF K		C130,131			CK73GB1C104K	CHIP C 0.10UF K	
C71			CC73GCH1H020C	CHIP C 2.0PF C		C132			CK73GB1C473K	CHIP C 0.047UF K	
C72			C92-0560-05	CHIP-TAN 10UF 6.3WV		C133			CK73GB1H471K	CHIP C 470PF K	
C73			CK73GB1H471K	CHIP C 470PF K		C134			CK73GB1C104K	CHIP C 0.10UF K	
C74			CK73GB1H472K	CHIP C 4700PF K		C135			CK73GB1C473K	CHIP C 0.047UF K	
C75			CC73GCH1H101J	CHIP C 100PF J	NK	C137			CK73GB1C333J	CHIP C 0.033UF J	
C75			CC73GCH1H220J	CHIP C 22PF J	K,M,M2	C138			CC73GCH1H060D	CHIP C 6.0PF D	
C76,77			CK73GB1E123K	CHIP C 0.012UF K		C139			CK73GB1C333J	CHIP C 0.033UF J	
C78,79			CK73GB1H103K	CHIP C 0.010UF K		C140			CC73GCH1H030C	CHIP C 3.0PF C	
C81			CC73GCH1H101J	CHIP C 100PF J		C141			CK73GB1H471K	CHIP C 470PF K	
C82			CK73GB1H102K	CHIP C 1000PF K		C142			CK73FB1E104K	CHIP C 0.10UF K	
C85,86			CC73GCH1H221J	CHIP C 220PF J		C143			CK73GB1H332K	CHIP C 3300PF K	
C87			C92-0576-05	CHIP-TAN 1.0UF 6.3WV		C144			CC73GCH1H220J	CHIP C 22PF J	
C88			CK73GB1H471K	CHIP C 470PF K		C145			CK73GB1H681K	CHIP C 680PF K	
C89			CC73GCH1H101J	CHIP C 100PF J		C146			C92-0655-05	CHIP-TAN 4.7UF 6.3WV	
C90			C92-0507-05	CHIP-TAN 4.7UF 6.3WV		C147			CK73GB1H102K	CHIP C 1000PF K	
C91			CC73GCH1H050C	CHIP C 5.0PF C	M2	C148			CC73GCH1H060D	CHIP C 6.0PF D	K,M,M2
C91			CC73GCH1H060D	CHIP C 6.0PF D	K,NK,M	C148			CC73GCH1H200J	CHIP C 20PF J	NK
C92			CC73GCH1H220J	CHIP C 22PF J	M2	C150,151			CK73GB1H471K	CHIP C 470PF K	
C92			CC73GCH1H330J	CHIP C 33PF J	K,NK,M	C152			CK73GB1C333J	CHIP C 0.033UF J	
C93			CK73GB1C104K	CHIP C 0.10UF K		C154			C92-0560-05	CHIP-TAN 10UF 6.3WV	
C94			CC73GCH1H820J	CHIP C 82PF J		C155			CK73GB1C473K	CHIP C 0.047UF K	
C95			CK73GB1C104K	CHIP C 0.10UF K		C156			CK73GB1H471K	CHIP C 470PF K	
C96			CC73GCH1H050C	CHIP C 5.0PF C	NK,M2	C157			CK73GB1C273J	CHIP C 0.027UF J	NK
C96			CC73GCH1H060D	CHIP C 6.0PF D	K,M	C157			CK73GB1C333J	CHIP C 0.033UF J	K,M,M2
C97			CC73GCH1H080D	CHIP C 8.0PF D	M2	C158			CK73GB1H471K	CHIP C 470PF K	
C97			CC73GCH1H330J	CHIP C 33PF J	K,NK,M	C159			CK73GB1H103K	CHIP C 0.010UF K	
C98			CC73GCH1H030C	CHIP C 3.0PF C		C160			CK73GB1H102K	CHIP C 1000PF K	NK
C99			CK73GB1H103K	CHIP C 0.010UF K		C160			CK73GB1H471K	CHIP C 470PF K	K,M,M2
C101			CC73GCH1H040C	CHIP C 4.0PF C	M2	C161			CC73GCH1H470J	CHIP C 47PF J	
C101			CC73GCH1H050C	CHIP C 5.0PF C	K,NK,M	C162			CC73GCH1H150J	CHIP C 15PF J	K,M,M2
C104			CC73GCH1H085B	CHIP C 0.5PF B		C162			CC73GCH1H180J	CHIP C 18PF J	NK
C105			CK73FB1E104K	CHIP C 0.10UF K		C163			CC73GCH1H060D	CHIP C 6.0PF D	
C107			C92-0587-05	CHIP-TAN 2.2UF 4WV		C164,165			CK73GB1H103K	CHIP C 0.010UF K	
C108			CC73GCH1H080D	CHIP C 8.0PF D		C166			CK73GB1H471K	CHIP C 470PF K	
C109			CK73GB1H103K	CHIP C 0.010UF K		C167			CK73FB1E104K	CHIP C 0.10UF K	
C110			CC73GCH1H050C	CHIP C 5.0PF C		C168			CC73GCH1H020C	CHIP C 2.0PF C	M2
C111			CC73GCH1H070D	CHIP C 7.0PF D	M2	C168			CC73GCH1H030C	CHIP C 3.0PF C	K,NK,M
C111			CC73GCH1H100D	CHIP C 10PF D	K,NK,M	C169			CC73GCH1H100D	CHIP C 10PF D	
C112,113			CK73GB1H471K	CHIP C 470PF K		C170			CC73GCH1H020C	CHIP C 2.0PF C	M2
C114			CC73GCH1H270J	CHIP C 27PF J		C170			CC73GCH1H1R5C	CHIP C 1.5PF C	K,NK,M

## PARTS LIST

TX-RX UNIT (X57-486X-XX)

Ref. No.	Address	New parts	Parts No.	Description	Destination	Ref. No.	Address	New parts	Parts No.	Description	Destination
C171			CK73GB1C473K	CHIP C 0.047UF K		C223			CC73GCH1H020C	CHIP C 2.0PF C	K,NK,M
C172			CK73GB1C104K	CHIP C 0.10UF K		C223			CC73GCH1H040C	CHIP C 4.0PF C	M2
C173			CK73GB1H103K	CHIP C 0.010UF K		C224			CC73GCH1H050C	CHIP C 5.0PF C	K,NK,M
C174,175			CK73GB1H471K	CHIP C 470PF K		C224			CC73GCH1H060D	CHIP C 6.0PF D	M2
C176			CK73GB1C393K	CHIP C 0.039UF K		C225			CK73GB1H471K	CHIP C 470PF K	
C177			CK73GB1H471K	CHIP C 470PF K		C226			CC73GCH1H010B	CHIP C 1.0PF B	K,NK,M
C178			CK73GB1C104K	CHIP C 0.10UF K		C227			CK73GB1H471K	CHIP C 470PF K	
C179			CC73GCH1H070D	CHIP C 7.0PF D		C228			CC73GCH1H030B	CHIP C 3.0PF B	M2
C180			CK73GB1H103K	CHIP C 0.010UF K		C228			CC73GCH1H2R5B	CHIP C 2.5PF B	K,NK,M
C181			CK73GB1C104K	CHIP C 0.10UF K		C229,230			CK73GB1H471K	CHIP C 470PF K	
C182			CK73GB1E223K	CHIP C 0.022UF K		C231,232			CC73GCH1H020B	CHIP C 2.0PF B	M2
C183			CK73GB1H471K	CHIP C 470PF K		C231,232			CC73GCH1H2R5B	CHIP C 2.5PF B	K,NK,M
C184			CC73GCH1H060D	CHIP C 6.0PF D	M2	C233			CK73GB1C104K	CHIP C 0.10UF K	
C184			CC73GCH1H100D	CHIP C 10PF D	K,NK,M	C234			CK73FB1C474K	CHIP C 0.47UF K	
C185			CK73GB1H102K	CHIP C 1000PF K		C235,236			CK73GB1H471K	CHIP C 470PF K	
C186			CK73GB1H471K	CHIP C 470PF K		C237			CC73GCH1H101J	CHIP C 100PF J	
C187			C92-0587-05	CHIP-TAN 2.2UF 4WV		C238,239			CK73GB1H471K	CHIP C 470PF K	
C188			CC73GCH1H059C	CHIP C 5.0PF C	M2	C240			CC73GCH1H181J	CHIP C 180PF J	
C189			CC73GCH1H070D	CHIP C 7.0PF D	K,NK,M	C241			CK73GB1H102K	CHIP C 1000PF K	
C189,190			CK73GB1H471K	CHIP C 470PF K		C242			C92-0560-05	CHIP-TAN 10UF 6.3WV	
C191			C92-0507-05	CHIP-TAN 4.7UF 6.3WV		C243,244			CK73GB1H102K	CHIP C 1000PF K	
C192			CC73GCH1H101J	CHIP C 100PF J		C246			CK73FB1H102K	CHIP C 1000PF K	K,NK,M
C193			CK73GB1H102K	CHIP C 1000PF K		C248			CK73GB1H102K	CHIP C 1000PF K	M2
C195			CK73FB1C474K	CHIP C 0.47UF K		TC1			C05-0384-05	CERAMIC TRIMMER CAP(10P)	NK
C196			C92-0565-05	CHIP-TAN 6.8UF 10WV		TC1-3			C05-0384-05	CERAMIC TRIMMER CAP(10P)	K,M,M2
C197			CK73GB1H102K	CHIP C 1000PF K		TC2			C05-0383-05	CERAMIC TRIMMER CAP(6P)	NK
C198			CC73GCH1H030C	CHIP C 3.0PF C		TC3			C05-0384-05	CERAMIC TRIMMER CAP(10P)	NK
C199			CK73GB1H471K	CHIP C 470PF K		50	2B		E23-1005-04	RELAY TERMINAL (BATT+)	
C200			CC73GCH1H030C	CHIP C 3.0PF C	M2	51	2A		E23-1020-04	GROUND TERMINAL(POWER MODULE)	
C200			CC73GCH1H050C	CHIP C 5.0PF C	K,NK,M	52	2A		E29-1146-04	INTER CONNECTOR(LCD)	
C201			CC73GCH1H101J	CHIP C 100PF J		14	2A		E29-1151-24	INTER CONNECTOR(SPI)	
C202			CK73GB1H103K	CHIP C 0.010UF K		J1			E11-0457-05	PHONE JACK	
C203			CK73GB1E223K	CHIP C 0.022UF K		F1			F53-0130-05	FUSE	
C205			CK73FB1C474K	CHIP C 0.47UF K					G13-1303-04	CUSHION	
C206			CC73GCH1H101J	CHIP C 100PF J		53	2B		J19-1571-04	HOLDER	
C207			CK73GB1C273K	CHIP C 0.027UF K		54	1A		J21-4494-04	HARDWARE FIXTURE	
C208			CK73GB1H471K	CHIP C 470PF K		55	2A		J21-4495-14	HARDWARE FIXTURE	
C209			C92-0560-05	CHIP-TAN 10UF 6.3WV		56	1A		J30-1218-04	SPACER	
C210			CC73GCH1H020C	CHIP C 2.0PF C	K,NK,M				L77-1649-05	CRYSTAL RESONATOR(12.8MHZ)	
C210			CC73GCH1H050C	CHIP C 5.0PF C	M2	CD1			L79-1072-05	TUNING COIL	
C211			CC73GCH1H121J	CHIP C 120PF J	M2	CF1.2			L72-0916-05	CERAMIC FILTER	K,M,M2
C211			CK73GB1H471K	CHIP C 470PF K	K,NK,M	CF1.2			L72-0939-05	CERAMIC FILTER	NK
C212			CC73GCH1H040C	CHIP C 4.0PF C	NK	L1.2			L40-2281-37	SMALL FIXED INDUCTOR(0.220UH)	
C212			CC73GCH1H120J	CHIP C 12PF J	K,M	L3			L92-0138-05	FERRITE CHIP	
C212			CC73GCH1H130J	CHIP C 13PF J	M2	L5			L92-0138-05	FERRITE CHIP	
C213			CK73GB1C104K	CHIP C 0.10UF K		L6			L40-1871-36	SMALL FIXED INDUCTOR(18NH)	
C214			CC73GCH1H330J	CHIP C 33PF J	M2	L7			L40-3391-37	SMALL FIXED INDUCTOR(3.300UH)	
C214			CK73GB1H102K	CHIP C 1000PF K	K,NK,M	L8			L40-1081-36	SMALL FIXED INDUCTOR(100NH)	
C215			CK73GB1C473K	CHIP C 0.047UF K		L9			L92-0138-05	FERRITE CHIP	
C216,217			CK73GB1H471K	CHIP C 470PF K		L10			L40-3391-37	SMALL FIXED INDUCTOR(3.300UH)	
C218			C92-0567-05	CHIP-TAN 68UF 6.3WV		L11			L40-1081-36	SMALL FIXED INDUCTOR(100NH)	
C219			CC73GCH1H0R3B	CHIP C 0.3PF B	M2	L12,13			L33-0744-05	SMALL FIXED INDUCTOR	
C219			CC73GCH1H010B	CHIP C 1.0PF B	K,NK,M	L14			L40-1081-36	SMALL FIXED INDUCTOR(100NH)	
C220			C92-0560-05	CHIP-TAN 10UF 6.3WV		L15			L40-3391-37	SMALL FIXED INDUCTOR(3.300UH)	
C221			CK73GB1H471K	CHIP C 470PF K		L16			L40-1091-37	SMALL FIXED INDUCTOR(1.000UH)	
C222			CK73GB1H103K	CHIP C 0.010UF K		L17			L40-2271-36	SMALL FIXED INDUCTOR(22NH)	

## PARTS LIST

TX-RX UNIT (X57-486X-XX)

Ref. No.	Address	New parts	Parts No.	Description	Destination	Ref. No.	Address	New parts	Parts No.	Description	Destination
L18			L92-0138-05	FERRITE CHIP		CP4			R90-0718-05	MULTI-COMP	4 7K X4
L19			L40-1871-36	SMALL FIXED INDUCTOR(18NH)	K,NK,M	R1 .2			RK73GB1J472J	CHIP R	4 7K J 1/16W
L19			L40-3971-36	SMALL FIXED INDUCTOR(39NH)	M2	R3			R92-1252-05	CHIP R	0 OHM
L20			L40-2281-37	SMALL FIXED INDUCTOR(0.220UH)	NK	R5 .6			RK73GB1J104J	CHIP R	100K J 1/16W
L20			L40-5681-37	SMALL FIXED INDUCTOR(0.560UH)	K,M,M2	R7 .9			RK73GB1J102J	CHIP R	1 0K J 1/16W
L21			L40-1981-37	SMALL FIXED INDUCTOR(0.180UH)	K,M,M2	R10			RK73GB1J104J	CHIP R	100K J 1/16W
L21			L40-4781-37	SMALL FIXED INDUCTOR(0.470UH)	NK	R11			RK73GB1J103J	CHIP R	10K J 1/16W
L22			L40-1871-36	SMALL FIXED INDUCTOR(18NH)		R12 -15			RK73GB1J472J	CHIP R	4 7K J 1/16W
L23			L40-4771-36	SMALL FIXED INDUCTOR(47NH)		R16 .17			RK73GB1J102J	CHIP R	1 0K J 1/16W
L24			L40-2281-37	SMALL FIXED INDUCTOR(0.220UH)		R18 .19			RK73GB1J472J	CHIP R	4 7K J 1/16W
L25			L40-1571-36	SMALL FIXED INDUCTOR(15NH)		R20			RK73GB1J222J	CHIP R	2.2K J 1/16W
L26			L79-1074-05	HELICAL BLOCK	K,NK,M	R21			RK73GB1J103J	CHIP R	10K J 1/16W
L26			L79-1146-05	HELICAL BLOCK	M2	R22			RK73GB1J151J	CHIP R	150 J 1/16W
L27			L40-2271-36	SMALL FIXED INDUCTOR(22NH)	M2	R23 -25			RK73GB1J473J	CHIP R	47K J 1/16W
L27			L40-2771-36	SMALL FIXED INDUCTOR(27NH)	K,NK,M	R26 .27			RK73GB1J104J	CHIP R	100K J 1/16W
L28			L40-1571-36	SMALL FIXED INDUCTOR(15NH)		R28			RK73GB1J102J	CHIP R	1 0K J 1/16W
L29			L92-0138-05	FERRITE CHIP		R29			RK73GB1J472J	CHIP R	4 7K J 1/16W
L30			L40-6861-36	SMALL FIXED INDUCTOR(6.8NH)	K,NK,M	R30			RK73GB1J391J	CHIP R	390 J 1/16W
L30			L40-8261-36	SMALL FIXED INDUCTOR(8.2NH)	M2	R31 .32			RK73GB1J102J	CHIP R	1 0K J 1/16W
L31			L92-0149-05	FERRITE CHIP		R34 .35			RK73GB1J100J	CHIP R	10 J 1/16W
L32			L40-3371-36	SMALL FIXED INDUCTOR(33NH)		R36			RK73GB1J183J	CHIP R	18K J 1/16W
L33			L79-1074-05	HELICAL BLOCK	K,NK,M	R37 -41			RK73GB1J102J	CHIP R	1 0K J 1/16W
L33			L79-1443-05	HELICAL BLOCK	M2	R42			RK73GB1J334J	CHIP R	330K J 1/16W
L34			L40-1085-34	SMALL FIXED INDUCTOR(100NH)	M2	R43 -47			RK73GB1J102J	CHIP R	1 0K J 1/16W
L34			L40-1095-34	SMALL FIXED INDUCTOR(1UH)	K,NK,M	R48			RK73GB1J472J	CHIP R	4 7K J 1/16W
L35			L92-0131-05	FERRITE CHIP		R49			R92-1252-05	CHIP R	0 OHM
L36			L33-0762-05	SMALL FIXED INDUCTOR		R50			RK73GB1J102J	CHIP R	1 0K J 1/16W
L37			L40-3971-36	SMALL FIXED INDUCTOR(39NH)	K,NK,M	R51			RK73GB1J104J	CHIP R	100K J 1/16W
L37			L40-5671-36	SMALL FIXED INDUCTOR(56NH)	M2	R52			RK73GB1J124J	CHIP R	120K J 1/16W
L38			L40-2271-36	SMALL FIXED INDUCTOR(22NH)	M2	R53			RK73GB1J473J	CHIP R	47K J 1/16W
L38 .39			L40-6861-36	SMALL FIXED INDUCTOR(6.8NH)	K,NK,M	R54			RK73GB1J102J	CHIP R	1 0K J 1/16W
L39			L40-6861-36	SMALL FIXED INDUCTOR(6.8NH)	M2	R55			RK73GB1J272J	CHIP R	2 7K J 1/16W
L40			L79-1175-05	FILTER MODULE		R56			RK73GB1J100J	CHIP R	10 J 1/16W
L41			L33-0760-05	SMALL FIXED INDUCTOR		R57			RK73GB1J104J	CHIP R	100K J 1/16W
L42			L92-0149-05	FERRITE CHIP		R58			RK73GB1J222J	CHIP R	22K J 1/16W
L43			L40-1092-81	SMALL FIXED INDUCTOR		R59			RK73GB1J332J	CHIP R	3 3K J 1/16W
L44			L40-3971-36	SMALL FIXED INDUCTOR(39NH)	M2	R60			RK73GB1J224J	CHIP R	220K J 1/16W
L44			L40-4771-36	SMALL FIXED INDUCTOR(47NH)	K,NK,M	R61			RK73GB1J103J	CHIP R	10K J 1/16W
L45			L40-2271-36	SMALL FIXED INDUCTOR(22NH)	K,NK,M	R62			RK73GB1J332J	CHIP R	3 3K J 1/16W
L45			L40-3371-36	SMALL FIXED INDUCTOR(33NH)	M2	R63 .64			RK73GB1J103J	CHIP R	10K J 1/16W
L46			L40-5675-54	SMALL FIXED INDUCTOR(56NH)		R65 .66			RK73GB1J102J	CHIP R	1 0K J 1/16W
L47			L40-3971-36	SMALL FIXED INDUCTOR(39NH)		R67			RK73GB1J103J	CHIP R	10K J 1/16W
L48			L40-2281-37	SMALL FIXED INDUCTOR(0.220UH)		R68			RK73GB1J272J	CHIP R	2 7K J 1/16W
L49 .50			L92-0138-05	FERRITE CHIP		R69			RK73GB1J821J	CHIP R	820 J 1/16W
L51			L40-1071-36	SMALL FIXED INDUCTOR(10NH)	K,NK,M	R70			RK73GB1J473J	CHIP R	47K J 1/16W
L51			L40-5661-36	SMALL FIXED INDUCTOR(5.6NH)	M2	R72			RK73GB1J104J	CHIP R	100K J 1/16W
L52			L92-0138-05	FERRITE CHIP		R73			RK73GB1J103J	CHIP R	10K J 1/16W
X1			L77-1630-05	CRYSTAL RESONATOR(8.388608MHZ)		R74			RK73GB1J474J	CHIP R	470K J 1/16W
X2			L77-1726-05	CRYSTAL RESONATOR(12.8MHZ)		R75			RK73GB1J333J	CHIP R	33K J 1/16W
X3			L77-1661-05	CRYSTAL RESONATOR(44.595MHZ)		R76			RK73GB1J471J	CHIP R	470 J 1/16W
XF1			L71-0409-15	MCF (45 050M)	K,M,M2	R78			RK73GB1J154J	CHIP R	150K J 1/16W
XF1			L71-0461-05	CRYSTAL FILTER (45 05MHZ)	NK	R79			RK73GB1J152J	CHIP R	1 5K J 1/16W
L			N38-2640-46	PAN HEAD MACHINE SCREW		R80			RK73GB1J681J	CHIP R	680 J 1/16W
K			N78-2640-46	PAN HEAD TAPITE SCREW		R81			RK73GB1J124J	CHIP R	120K J 1/16W
CP1 .2			R90-0724-05	MULTI-COMP	1K X4	R83 .84			RN73GH1J3330	CHIP R	33K D 1/16W
CP3			R90-0714-05	MULTI-COMP	10K X4	R85			RN73GH1J243D	CHIP R	24K D 1/16W

## PARTS LIST

TX-RX UNIT (X57-486X-XX)

Ref. No.	Address	New parts	Parts No.	Description	Destination	Ref. No.	Address	New parts	Parts No.	Description	Destination
R86			RN73GH1J393D	CHIP R 39K D 1/16W		R146			RK73GB1J272J	CHIP R 2.7K J 1/16W	
R87			RK73GB1J103J	CHIP R 10K J 1/16W		R147			RK73GB1J103J	CHIP R 10K J 1/16W	
R88			RN73GH1J103D	CHIP R 10K D 1/16W		R148			RK73GB1J101J	CHIP R 100 J 1/16W	
R89			RK73GB1J102J	CHIP R 10K J 1/16W		R149			RK73GB1J271J	CHIP R 270 J 1/16W	N
R91			RK73GB1J101J	CHIP R 100 J 1/16W		R149			RK73GB1J561J	CHIP R 560 J 1/16W	K,M,M2
R93			RK73GB1J473J	CHIP R 47K J 1/16W		R150			RK73GB1J104J	CHIP R 100K J 1/16W	
R94			RK73GB1J103J	CHIP R 10K J 1/16W		R151			RK73GB1J185J	CHIP R 1.8M J 1/16W	
R95			RK73GB1J102J	CHIP R 10K J 1/16W	K,NK,M	R153			RK73GB1J472J	CHIP R 4.7K J 1/16W	
R95			RK73GB1J471J	CHIP R 470 J 1/16W	M2	R154			RK73GB1J392J	CHIP R 3.9K J 1/16W	
R96			R92-0670-05	CHIP R 0 OHM		R155			RK73GB1J333J	CHIP R 33K J 1/16W	
R97			RK73GB1J104J	CHIP R 100K J 1/16W		R156,157			RK73GB1J154J	CHIP R 150K J 1/16W	
R98			RK73GB1J102J	CHIP R 1.0K J 1/16W		R158			RK73GB1J102J	CHIP R 1.0K J 1/16W	
R99,100			RK73GB1J332J	CHIP R 3.3K J 1/16W		R159			RK73GB1J332J	CHIP R 3.3K J 1/16W	
R101,102			RK73GB1J103J	CHIP R 10K J 1/16W		R160			RK73GB1J104J	CHIP R 100K J 1/16W	
R103			RK73GB1J473J	CHIP R 47K J 1/16W		R162			RK73GB1J392J	CHIP R 3.9K J 1/16W	
R104			RK73GB1J682J	CHIP R 6.8K J 1/16W		R163			RK73GB1J562J	CHIP R 5.6K J 1/16W	
R105			RK73GB1J104J	CHIP R 100K J 1/16W		R164			RK73GB1J333J	CHIP R 33K J 1/16W	
R106			RK73GB1J102J	CHIP R 10K J 1/16W	K,M,M2	R166			RK73GB1J184J	CHIP R 180K J 1/16W	
R106			RK73GB1J821J	CHIP R 820 J 1/16W	NK	R167			RK73GB1J551J	CHIP R 560 J 1/16W	
R107			RK73GB1J124J	CHIP R 120K J 1/16W	NK	R169			R92-1252-05	CHIP R 0 OHM	
R107			RK73GB1J154J	CHIP R 150K J 1/16W	K,M,M2	R169			RK73GB1J104J	CHIP R 100K J 1/16W	
R109			RK73GB1J562J	CHIP R 5.6K J 1/16W		R170			RK73GB1J101J	CHIP R 100 J 1/16W	
R110			RK73GB1J393J	CHIP R 39K J 1/16W		R171			RK73GB1J332J	CHIP R 3.3K J 1/16W	
R111			RK73GB1J103J	CHIP R 10K J 1/16W		R171			RK73GB1J392J	CHIP R 3.9K J 1/16W	NK
R112			RK73GB1J684J	CHIP R 680K J 1/16W		R172			RK73GB1J562J	CHIP R 5.6K J 1/16W	K,M,M2
R113			RK73GB1J333J	CHIP R 33K J 1/16W		R173			RK73GB1J332J	CHIP R 3.3K J 1/16W	
R114			RK73GB1J274J	CHIP R 270K J 1/16W		R175,176			RK73GB1J154J	CHIP R 150K J 1/16W	
R115			RK73GB1J152J	CHIP R 1.5K J 1/16W		R177			RK73GB1J682J	CHIP R 6.8K J 1/16W	
R116			RK73GB1J683J	CHIP R 68K J 1/16W		R178			RK73GB1J100J	CHIP R 10 J 1/16W	
R117			RK73GB1J473J	CHIP R 47K J 1/16W		R179			RK73GB1J392J	CHIP R 3.9K J 1/16W	
R118			RK73GB1J153J	CHIP R 15K J 1/16W		R180			RK73GB1J473J	CHIP R 47K J 1/16W	
R119			RK73GB1J102J	CHIP R 10K J 1/16W		R181			RK73GB1J122J	CHIP R 1.2K J 1/16W	
R120			RK73GB1J684J	CHIP R 680K J 1/16W		R183			RK73GB1J552J	CHIP R 5.6K J 1/16W	
R121			RK73GB1J104J	CHIP R 100K J 1/16W		R184			RK73GB1J473J	CHIP R 47K J 1/16W	
R122			RN73GH1J183D	CHIP R 18K D 1/16W		R186			RK73GB1J682J	CHIP R 6.8K J 1/16W	
R123			RN73GH1J103D	CHIP R 10K D 1/16W		R188			RK73GB1J103J	CHIP R 10K J 1/16W	
R124			RK73GB1J332J	CHIP R 3.3K J 1/16W		R189			RK73GB1J331J	CHIP R 330 J 1/16W	
R125			RK73GB1J473J	CHIP R 47K J 1/16W		R190			RK73GB1J470J	CHIP R 47 J 1/16W	
R127			RK73GB1J103J	CHIP R 10K J 1/16W		R191			RK73GB1J152J	CHIP R 1.5K J 1/16W	
R128			RK73GB1J682J	CHIP R 6.8K J 1/16W		R192			RK73GB1J102J	CHIP R 10K J 1/16W	
R129			RK73GB1J822J	CHIP R 8.2K J 1/16W		R193			RK73GB1J222J	CHIP R 2.2K J 1/16W	
R130			RK73GB1J101J	CHIP R 100 J 1/16W	M2	R194			RK73GB1J332J	CHIP R 3.3K J 1/16W	
R130,131			RK73GB1J101J	CHIP R 100 J 1/16W	K,NK,M	R195			RK73GB1J103J	CHIP R 10K J 1/16W	
R131			RK73GB1J151J	CHIP R 150 J 1/16W	M2	R196			RK73GB1J220J	CHIP R 22 J 1/16W	
R132			RK73GB1J154J	CHIP R 150K J 1/16W	NK	R197			RK73GB1J561J	CHIP R 560 J 1/16W	
R132			RK73GB1J823J	CHIP R 82K J 1/16W	K,M,M2	R198			RK73GB1J103J	CHIP R 10K J 1/16W	
R133			RK73GB1J185J	CHIP R 1.8M J 1/16W		R200			RK73GB1J220J	CHIP R 22 J 1/16W	
R135			RK73GB1J333J	CHIP R 33K J 1/16W		R201			RK73GB1J152J	CHIP R 1.5K J 1/16W	
R136			RK73GB1J103J	CHIP R 10K J 1/16W		R202			RK73GB1J101J	CHIP R 100 J 1/16W	
R137			RK73GB1J271J	CHIP R 270 J 1/16W		R203			R92-1252-05	CHIP R 0 OHM	
R138			RK73GB1J104J	CHIP R 100K J 1/16W		R204			RK73GB1J104J	CHIP R 100K J 1/16W	
R140			RK73GB1J333J	CHIP R 33K J 1/16W		R205			RK73GB1J331J	CHIP R 330 J 1/16W	
R141			RK73GB1J220J	CHIP R 22 J 1/16W		R206			RK73GB1J103J	CHIP R 10K J 1/16W	
R142			RK73GB1J124J	CHIP R 120K J 1/16W		R207			RK73GB1J101J	CHIP R 100 J 1/16W	
R143,144			RK73GB1J104J	CHIP R 100K J 1/16W		R209			RK73GB1J102J	CHIP R 10K J 1/16W	
R145			RK73GB1J684J	CHIP R 680K J 1/16W		R210			RK73GB1J473J	CHIP R 47K J 1/16W	

## PARTS LIST

TX-RX UNIT (X57-486X-XX)

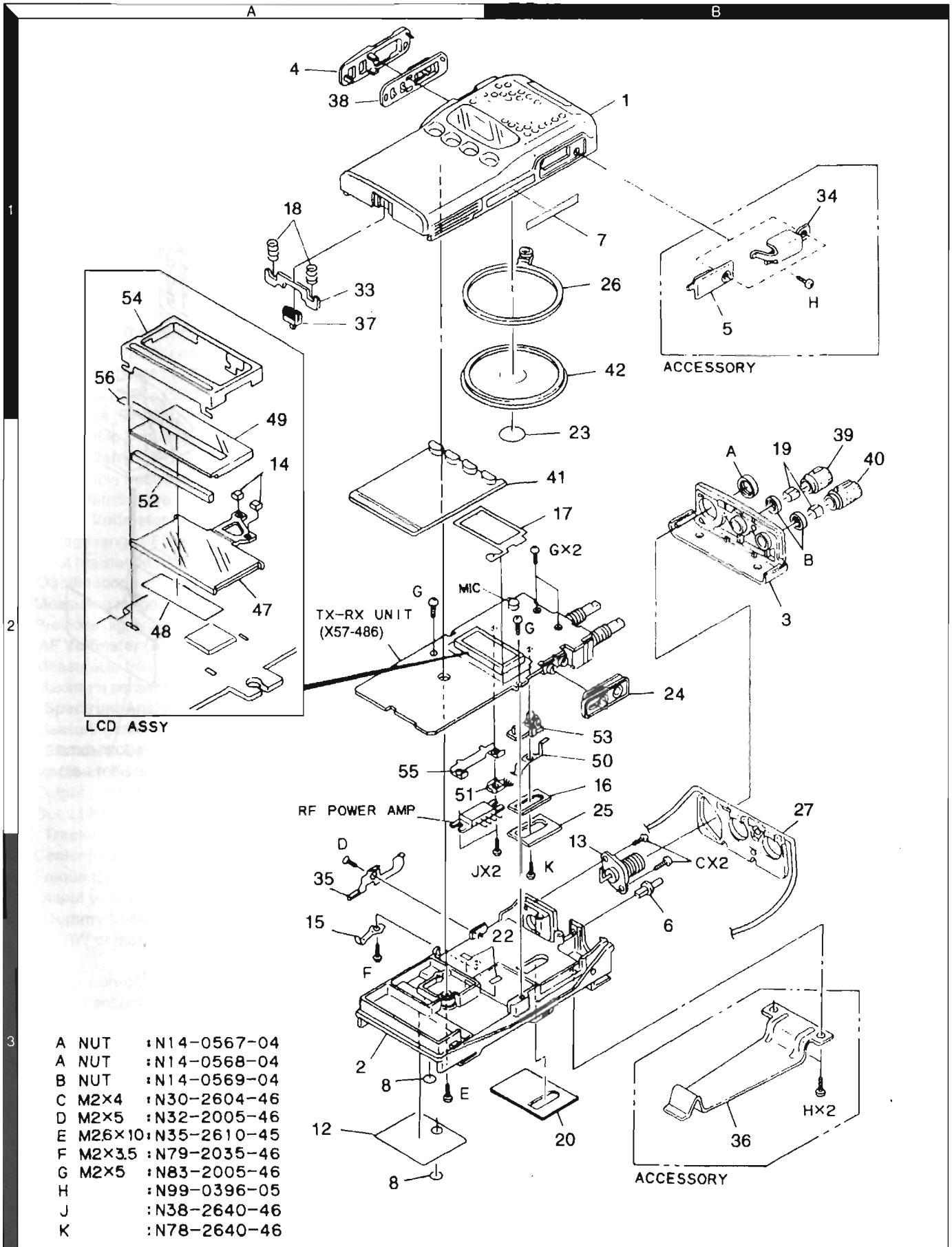
Ref. No.	Address	New parts	Parts No.	Description	Destination	Ref. No.	Address	New parts	Parts No.	Description	Destination
R211			RK73GB1J222J	CHIP R 2.2K J 1/16W		D6			UMN1N	DIODE	
R214			R92-1252-05	CHIP R 0.0HM		D7 -10	*		MA2S376	VARIABLE CAPACITANCE DIODE	
R215			RK73GB1J101J	CHIP R 100 J 1/16W		D11			MA360	VARIABLE CAPACITANCE DIODE	
R217			RK73GB1J80J	CHIP R 18 J 1/16W	K,NK,M	D12			MA2S111	DIODE	
R217			R92-1252-05	CHIP R 0.0HM	M2	D13			DA221	DIODE	
R218			RK73EB2ER39K	CHIP R 0.39 K 1/4W		D14 .15			MA2S077	DIODE	
R219			RK73GB1J104J	CHIP R 100K J 1/16W		D16			1SS372	DIODE	
R220			RK73EB2ER39K	CHIP R 0.39 K 1/4W		D17			MA9062	ZENER DIODE	
R221			RK73GB1J182J	CHIP R 1.8K J 1/16W		D18			DAN222	DIODE	
R222			RK73GB1J471J	CHIP R 470 J 1/16W	M2	D19			HVU131	DIODE	
R222			RK73GB1J561J	CHIP R 560 J 1/16W	K,NK,M	D20			MA2S077	DIODE	K,NK,M
R223			RK73EB2ER39K	CHIP R 0.39 K 1/4W		D20 .21			MA2S077	DIODE	M2
R225,226			RN73GH1J154D	CHIP R 150K D 1/16W		D22			1SR154-400	DIODE	
R227,228			RK73GB1J153J	CHIP R 15K J 1/16W		IC1			M38267M8L215GP	IC	
R229			RN73GH1J154D	CHIP R 150K D 1/16W		IC2			PST9140NR	IC(RESET SW)	
R230			RK73GB1J394J	CHIP R 390K J 1/16W		IC3			LC73891M	IC(DTMF DECODER)	
R231			RK73GB1J271J	CHIP R 270 J 1/16W		IC4			AT2408N10SI2 5	IC(8Kbit SERIAL EEPROM)	
R232			RN73GH1J154D	CHIP R 150K D 1/16W		IC5			RN5VL45C	IC(REGULATOR)	
R233			RK73GB1J271J	CHIP R 270 J 1/16W		IC6			LMX15111YMX	IC(PLL FREQUENCY SYNTHESIZER)	
R234			RK73GB1J151J	CHIP R 150 J 1/16W		IC7			S-81350HG-KD	IC(VOLTAGE REGULATOR)	
R235			RK73GB1J821J	CHIP R 820 J 1/16W		IC8			TA75W01FU	IC(OP AMP X2)	
R236			RK73GB1J123J	CHIP R 12K J 1/16W		IC9			TA31136FN	IC(FM IF DETECTOR)	
R237			RK73GB1J101J	CHIP R 100 J 1/16W		IC10			NJM2100V	IC(AUDIO AMP)	
R238			RK73GB1J100J	CHIP R 10 J 1/16W		IC11	*		M68732H	IC(POWER MODULE(450-470MHz))	K,NK,M
R240			RK73GB1J332J	CHIP R 3.3K J 1/16W		IC11	*		M68732UH	IC(POWER MODULE (470-490MHz))	M2
R241			RK73GB1J103J	CHIP R 10K J 1/16W		IC12			TA7368F	IC(AF POWER AMP)	
R242			RK73GB1J474J	CHIP R 470K J 1/16W		IC13			NJM2904V	IC(APC)	
R243			RK73GB1J182J	CHIP R 1.8K J 1/16W		IC14			TA75W01FU	IC(OP AMP X2)	
R244			RK73GB1J273J	CHIP R 27K J 1/16W		Q1 -3			DTC114EE	DIGITAL TRANSISTOR	
R245			RK73GB1J223J	CHIP R 22K J 1/16W		Q4			DTC114YE	DIGITAL TRANSISTOR	
R246			RK73GB1J471J	CHIP R 470 J 1/16W		Q5			UMG3N	TRANSISTOR	
R247			RK73GB1J105J	CHIP R 1.0M J 1/16W		Q6			UPA572T	FET	
R248			RK73GB1J331J	CHIP R 330 J 1/16W		Q7			DTA114YE	DIGITAL TRANSISTOR	
R249			R92-1252-05	CHIP R 0.0HM		Q8			MP5A02	TRANSISTOR	
R250			RK73GB1J222J	CHIP R 2.2K J 1/16W		Q9			UMG3N	TRANSISTOR	
R251			R92-1252-05	CHIP R 0.0HM		Q12			DTA114YE	DIGITAL TRANSISTOR	
R252			RK73GB1J104J	CHIP R 100K J 1/16W		Q14			2SC5108(Y)	TRANSISTOR	
R253			RK73GB1J223J	CHIP R 22K J 1/16W		Q15			2SK508N(K52)	FET	
R254			RK73GB1J102J	CHIP R 1.0K J 1/16W		Q16			2SC4617(S)	TRANSISTOR	
R255,256			RK73GB1J101J	CHIP R 100 J 1/16W		Q17			DTA114EE	DIGITAL TRANSISTOR	
R257			RK73GB1J332J	CHIP R 3.3K J 1/16W		Q18			2SC4226(R24)	TRANSISTOR	
R258			RK73GB1J333J	CHIP R 33K J 1/16W		Q19			2SJ243	FET	
R259			RK73GB1J563J	CHIP R 56K J 1/16W		Q20			2SC4619	TRANSISTOR	
R260,261			RN73GH1J154D	CHIP R 150K D 1/16W		Q21			2SC5108(Y)	TRANSISTOR	
R262			RK73GB1J223J	CHIP R 22K J 1/16W		Q22			2SC4617(S)	TRANSISTOR	
R263			RK73GB1J102J	CHIP R 1.0K J 1/16W		Q23	*		UMC4	TRANSISTOR	
VR1			R12-7491-05	TRIMMING POT (68K)		Q24 .25			2SC4617(S)	TRANSISTOR	
VR2			R32-0647-05	SEMI FIXED VARIABLE RESISTOR		Q26			2SC5108(Y)	TRANSISTOR	
VR3			R12-7488-05	TRIMMING POT (22K)		Q28			2SC4617(S)	TRANSISTOR	
VR4			R31-0613-15	VARIABLE RESISTOR		Q29			SGM2014AM	FET	
S1			S70-0414-05	TACT SWITCH		Q29			SGM2014M	FET	
S3 .4			S70-0414-05	TACT SWITCH		Q30			2SC5108(Y)	TRANSISTOR	
D3			T91-0575-05	MIC ELEMENT		Q31			2SK1824	FET	
D4			MA2S111	DIODE		Q32			2SC4988	TRANSISTOR	
			1SV269	VARIABLE CAPACITANCE DIODE		Q34			DTC144EE	DIGITAL TRANSISTOR	
O5			1SS373	DIODE		Q35			2SA1362(GR)	TRANSISTOR	

## PARTS LIST

TX-RX UNIT (X57-486X-XX)

Ref. No.	Address	New parts	Parts No.	Description	Destination	Ref. No.	Address	New parts	Parts No.	Description	Destination
Q36			DTC144EE	DIGITAL TRANSISTOR							
Q37			2SK1215(E)	FET							
Q38			DTC144EE	DIGITAL TRANSISTOR							
Q39			2SC4919	TRANSISTOR							
Q40			DTC114EE	DIGITAL TRANSISTOR							
Q41			2SK1588	FET							
Q42			3SK239A	FET							
Q43			DTA144EE	DIGITAL TRANSISTOR							
TH1-3			157-302-65801	THERMISTOR							
TH4			157-503-65001	THERMISTOR							
TH6			157-302-65801	THERMISTOR							
TH7			157-503-65001	THERMISTOR	NK						
S2			W02-1814-05	ENCODER							

## EXPLODED VIEW



- A NUT : N14-0567-04
- A NUT : N14-0568-04
- B NUT : N14-0569-04
- C M2X4 : N30-2604-46
- D M2X5 : N32-2005-46
- E M26X10: N35-2610-45
- F M2X3.5: N79-2035-46
- G M2X5 : N83-2005-46
- H : N99-0396-05
- J : N38-2640-46
- K : N78-2640-46

## PACKING

