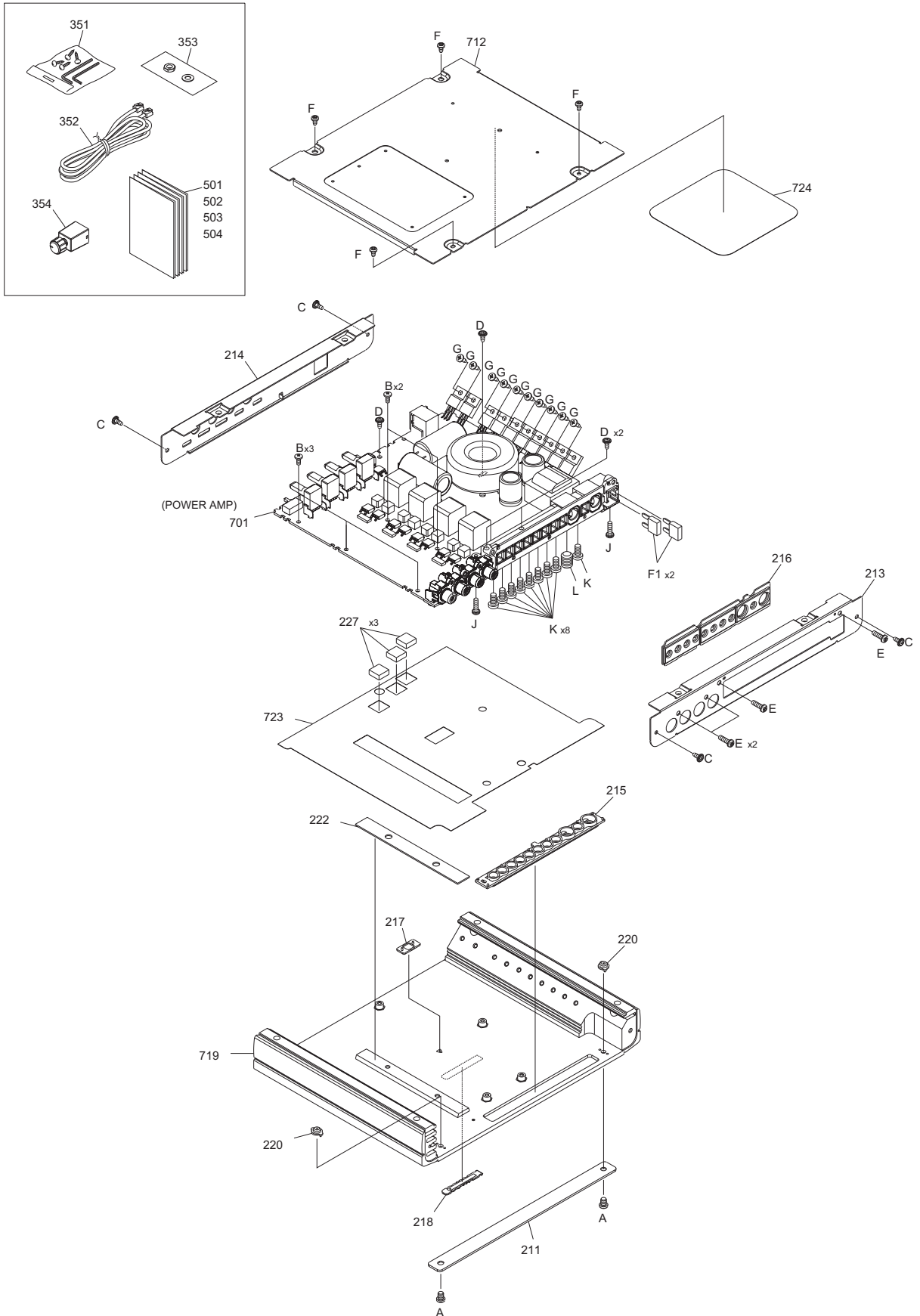


EXPLODED VIEW (UNIT)

Block No.M1MM



Parts with the exploded numbers larger than 700 are not supplied.

MODEL	MARK	MODEL	MARK
XH401-4	W1	XR401-4	K0

Safe	Symbol No.	Parts No.	Parts Name	Description	QTY	Local
------	------------	-----------	------------	-------------	-----	-------

EXPLODED VIEW (UNIT) <M1MM>

△	F1	FZB10AU-300	BLADE FUSE		2	
	A	N0Y-0016-00	DRESSED SCREW		2	
	B	N09-6934-05	TAPTITE SCREW		5	
	C	N09-6943-05	TAPTITE SCREW		4	
	D	N09-6952-05	TAPTITE SCREW		4	
	E	N80-3010-43	P.HEAD T.SCREW		4	
	F	N83-2605-48	P.HEAD T.SCREW		4	
	G	N89-2608-48	BI.HEAD T.SCREW		10	
	J	N09-6447-05	TAPTITE SCREW		2	
	K	N09-6948-18	SET SCREW		9	
	L	N09-6947-08	SET SCREW		1	
	211	A2B-0130-00	DRESSING PANEL		1	
	213	A6A-0043-00	PANEL		1	
	214	A64-5404-01	PANEL (REAR)		1	
	215	B07-3373-03	ESCUTCHEON		1	
	216	B07-3383-03	ESCUTCHEON		1	
	217	B19-2623-04	LIGHTING BOARD		1	
	218	B43-1553-04	BADGE		1	
	220	F09-3131-14	CAP		2	
	222	F20-2594-04	INS.SHEET		1	
	227	F20-2603-14	INS.SHEET		3	
	351	N9X-0032-00	SCREW/WRENCH		1	
	352	E3A-0486-00	CORD W.CON.		1	
	353	W0B-0099-00	ACCESSORIES		1	
	354	XK7-013K-00	OPERATION UNIT		1	
	501	B5A-2348-00	INST.MANUAL	ENG FRE SPA	1	
	502	B5A-2349-00	INST.MANUAL	GER ITA DUT	1	W1
	503	B5A-2350-00	INST.MANUAL	POR RUS UKR	1	W1
	504	B5A-2351-00	INST.MANUAL	PER CHI(PEKIN) ARA	1	W1
	701	-----	POWER AMP PWB ASSY	NO SERVICE PART	1	
	712	-----	BOTTOM PLATE	NO SERVICE PART	1	
	719	-----	HEAT SINK ASSY	NO SERVICE PART	1	W1
	719	-----	HEAT SINK ASSY	NO SERVICE PART	1	K0
	723	-----	INS.SHEET	NO SERVICE PART	1	
	724	-----	INS.SHEET	NO SERVICE PART	1	

MODEL	MARK	MODEL	MARK
XH401-4	W1	XR401-4	K0

Safe	Symbol No.	Parts No.	Parts Name	Description	QTY	Local
POWER AMP PWB ASSY (XK1-077K-00) <XK1>						
	IC1	BA4564RFV	ANALOGUE IC		1	
	IC2	BA4564RFV	ANALOGUE IC		1	
	IC3	BA4564RFV	ANALOGUE IC		1	
	IC4	BA4564RFV	ANALOGUE IC		1	
	IC5	BA4564RFV	ANALOGUE IC		1	
	IC7	BA4564RFV	ANALOGUE IC		1	
	IC8	BA4564RFV	ANALOGUE IC		1	
	IC9	BA4564RFV	ANALOGUE IC		1	
	IC10	TL494ID	ANALOG IC		1	
	IC11	BA4564RFV	ANALOGUE IC		1	
	IC301	IRS2052MPBF	ANALOG IC		1	
	IC401	IRS2052MPBF	ANALOG IC		1	
	IC501	NJM431SF	ANALOG IC		1	
	IC502	NJU72344V	ANALOG IC		1	
	IC503	W3F-0376-00	MCU IC		1	
	Q1	LSCR523UBFS8	TRANSISTOR		1	
	Q2	LSCR523UBFS8	TRANSISTOR		1	
	Q3	2SAR293P	TRANSISTOR		1	
	Q4	LTC014EUBFS8	DIGI TRANSISTOR		1	
	Q5	LTA014EUBFS8	DIGI TRANSISTOR		1	
	Q6	LTC014EUBFS8	DIGI TRANSISTOR		1	
	Q7	LSCR523UBFS8	TRANSISTOR		1	
	Q8	LSAR523UBFS8	TRANSISTOR		1	
	Q9	LTA014EUBFS8	DIGI TRANSISTOR		1	
	Q10	2SA1576A/QRS/	TRANSISTOR		1	
	Q11	2SC4097/PQR/	TRANSISTOR		1	
	Q12	LTC014EUBFS8	DIGI TRANSISTOR		1	
	Q13	LTC014EUBFS8	DIGI TRANSISTOR		1	
	Q14	LTA014EUBFS8	DIGI TRANSISTOR		1	
	Q15	LTC014EUBFS8	DIGI TRANSISTOR		1	
	Q16	2SA1577/PQR/	TRANSISTOR		1	
	Q17	2SA1577/PQR/	TRANSISTOR		1	
	Q18	STP60NF06FP	FET		6	W1
	Q18	STP60NF06FP	FET		1	K0
	Q19	STP60NF06FP	FET		6	W1
	Q19	STP60NF06FP	FET		1	K0
	Q20	STP60NF06FP	FET		6	W1
	Q20	STP60NF06FP	FET		1	K0
	Q21	STP60NF06FP	FET		6	W1
	Q21	STP60NF06FP	FET		1	K0
	Q22	STP60NF06FP	FET		6	W1
	Q22	STP60NF06FP	FET		1	K0
	Q23	STP60NF06FP	FET		6	W1
	Q23	STP60NF06FP	FET		1	K0
	Q24	LSCR523UBFS8	TRANSISTOR		1	
	Q25	LSAR523UBFS8	TRANSISTOR		1	
	Q26	KTC2026-P	TRANSISTOR		1	
	Q27	KTA1046P/YG/	TRANSISTOR		1	
	Q28	2SCR573D3	TRANSISTOR		1	
	Q29	2SCR293P	TRANSISTOR		1	
	Q30	2SAR293P	TRANSISTOR		1	
	Q31	LSCR523UBFS8	TRANSISTOR		1	
	Q32	LTA014EUBFS8	DIGI TRANSISTOR		1	
	Q33	LSCR523UBFS8	TRANSISTOR		1	
	Q34	LTC014EUBFS8	DIGI TRANSISTOR		1	
	Q35	LSCR523UBFS8	TRANSISTOR		1	
	Q101	LSCR523UBFS8	TRANSISTOR		1	
	Q102	LSCR523UBFS8	TRANSISTOR		1	
	Q201	LSCR523UBFS8	TRANSISTOR		1	
	Q202	LSCR523UBFS8	TRANSISTOR		1	
	Q301	IRFR4615PBF	FET		1	
	Q302	IRFR4615PBF	FET		1	
	Q303	IRFR4615PBF	FET		1	
	Q304	IRFR4615PBF	FET		1	
	Q305	LSCR523UBFS8	TRANSISTOR		1	
	Q401	IRFR4615PBF	FET		1	
	Q402	IRFR4615PBF	FET		1	
	Q403	IRFR4615PBF	FET		1	
	Q404	IRFR4615PBF	FET		1	
	D1	UDZV3.3B	ZENER DIODE		1	
	D2	UDZV15B	ZENER DIODE		1	
	D3	1SS355VM	DIODE		1	
	D4	UDZV6.8B	ZENER DIODE		1	
	D5	UDZV5.6B	ZENER DIODE		1	
	D6	DAP202UM	DIODE		1	
	D7	B30-3223-15	LED		1	
	D8	1SS355VM	DIODE		1	
	D9	1SS355VM	DIODE		1	
	D10	DAN202UM	DIODE		1	
	D11	1SS355VM	DIODE		1	
	D12	1SS355VM	DIODE		1	
	D13	1SS355VM	DIODE		1	
	D14	1SS355VM	DIODE		1	
	D15	SDURF1030CT	DIODE		1	
	D16	SDURF1030CTR	DIODE		1	
	D17	UDZV16B	ZENER DIODE		1	
	D18	UDZV16B	ZENER DIODE		1	
	D19	UDZV13B	ZENER DIODE		1	
	D20	UDZV5.6B	ZENER DIODE		1	
	D21	UDZV5.6B	ZENER DIODE		1	
	D22	UDZV7.5B	ZENER DIODE		1	

MODEL	MARK	MODEL	MARK
XH401-4	W1	XR401-4	K0

Safe	Symbol No.	Parts No.	Parts Name	Description	QTY	Local
	D23	UDZV4.7B	ZENER DIODE		1	
	D24	UDZV4.7B	ZENER DIODE		1	
	D25	UDZV3.3B	ZENER DIODE		1	
	D26	UDZV3.3B	ZENER DIODE		1	
	D27	1SS355VM	DIODE		1	
	D28	1SS355VM	DIODE		1	
	D101	1SS355VM	DIODE		1	
	D103	DAN202UM	DIODE		1	
	D104	DAN202UM	DIODE		1	
	D105	DAP202UM	DIODE		1	
	D106	DAP202UM	DIODE		1	
	D107	1SS355VM	DIODE		1	
	D108	1SS355VM	DIODE		1	
	D151	DA204U	MULTIPLE DIODE		1	
	D152	DA204U	MULTIPLE DIODE		1	
	D201	1SS355VM	DIODE		1	
	D203	DAN202UM	DIODE		1	
	D204	DAN202UM	DIODE		1	
	D205	DAP202UM	DIODE		1	
	D206	DAP202UM	DIODE		1	
	D207	1SS355VM	DIODE		1	
	D208	1SS355VM	DIODE		1	
	D251	DA204U	MULTIPLE DIODE		1	
	D252	DA204U	MULTIPLE DIODE		1	
	D301	1SS355VM	DIODE		1	
	D302	1SS355VM	DIODE		1	
	D303	1SS355VM	DIODE		1	
	D304	1SS355VM	DIODE		1	
	D305	RF101L2S	DIODE		1	
	D306	RF101L2S	DIODE		1	
	D401	1SS355VM	DIODE		1	
	D402	1SS355VM	DIODE		1	
	D403	1SS355VM	DIODE		1	
	D404	1SS355VM	DIODE		1	
	D405	RF101L2S	DIODE		1	
	D406	RF101L2S	DIODE		1	
	D501	UDZV7.5B	ZENER DIODE		1	
	D502	UDZV7.5B	ZENER DIODE		1	
	D504	DA204U	MULTIPLE DIODE		1	
	D505	DA204U	MULTIPLE DIODE		1	
	D506	1SS355VM	DIODE		1	
	C1	CK73EXR1E106K	C CAPACITOR	10uF 25V K	1	
	C2	CK73GXR1H103K	C CAPACITOR	0.01uF 50V K	1	
	C3	CK73GXR1H104K	C CAPACITOR	0.1uF 50V K	1	
	C4	CK73GXR1H103K	C CAPACITOR	0.01uF 50V K	1	
	C5	CK73GXR1E105K	C CAPACITOR	1uF 25V K	1	
	C6	CK73GXR1H102K	C CAPACITOR	1000pF 50V K	1	
	C7	CK73GXR1H104K	C CAPACITOR	0.1uF 50V K	1	
	C8	CK73GXR1H104K	C CAPACITOR	0.1uF 50V K	1	
	C9	CK73GXR1H104K	C CAPACITOR	0.1uF 50V K	1	
	C10	CC73GCH1H102J	C CAPACITOR	1000pF 50V J	1	
	C11	CK73EXR0J476M	C CAPACITOR	47uF 6.3V M	1	
	C12	CK73GXR1H104K	C CAPACITOR	0.1uF 50V K	1	
	C13	CK73GXR1E105K	C CAPACITOR	1uF 25V K	1	
	C14	CK73GXR1H103K	C CAPACITOR	0.01uF 50V K	1	
	C15	CK73GXR1H103K	C CAPACITOR	0.01uF 50V K	1	
	C16	CK73FXR1C106K	C CAPACITOR	10uF 16V K	1	
	C17	CE32BY1V101M	E CAPACITOR	100uF 35V M	1	
	C18	CK73GXR1H103K	C CAPACITOR	0.01uF 50V K	1	
	C19	CK73GXR1C225K	C CAPACITOR	2.2uF 16V K	1	
	C20	CD040DS1C272M	E CAPACITOR	2700uF 16V M	1	
	C21	CD040DS1C272M	E CAPACITOR	2700uF 16V M	1	
	C22	CK73GXR1H222K	C CAPACITOR	2200pF 50V K	1	
	C23	CK73GXR1H222K	C CAPACITOR	2200pF 50V K	1	
	C24	CK73GXR1H102K	C CAPACITOR	1000pF 50V K	1	
	C25	CK73GXR1H102K	C CAPACITOR	1000pF 50V K	1	
	C26	CC73GCH1H471J	C CAPACITOR	470pF 50V J	1	
	C27	CC73GCH1H471J	C CAPACITOR	470pF 50V J	1	
	C28	CK73GXR1H103K	C CAPACITOR	0.01uF 50V K	1	
	C29	CK73GXR1H103K	C CAPACITOR	0.01uF 50V K	1	
	C30	CD04DP1V472M	E CAPACITOR	4700uF 35V M	1	
	C31	CD04DP1V472M	E CAPACITOR	4700uF 35V M	1	
	C32	CK73FXR1C106K	C CAPACITOR	10uF 16V K	1	
	C33	CK73FXR1C106K	C CAPACITOR	10uF 16V K	1	
	C34	CK73FXR1C106K	C CAPACITOR	10uF 16V K	1	
	C35	CE32CL1C470M	E CAPACITOR	47uF 16V M	1	
	C36	CE32CL1C470M	E CAPACITOR	47uF 16V M	1	
	C37	CE32CL1C470M	E CAPACITOR	47uF 16V M	1	
	C38	CC73GCH1H020C	C CAPACITOR	2pF 50V C	1	
	C39	CC73GCH1H020C	C CAPACITOR	2pF 50V C	1	
	C40	CC73GCH1H020C	C CAPACITOR	2pF 50V C	1	
	C41	CC73GCH1H020C	C CAPACITOR	2pF 50V C	1	
	C42	CK73FXR1C106K	C CAPACITOR	10uF 16V K	1	
	C43	CK73FXR1C106K	C CAPACITOR	10uF 16V K	1	
	C44	CE32CL1C470M	E CAPACITOR	47uF 16V M	1	
	C45	CE32CL1C470M	E CAPACITOR	47uF 16V M	1	
	C46	CK73GXR1C225K	C CAPACITOR	2.2uF 16V K	1	
	C47	CK73GXR1H103K	C CAPACITOR	0.01uF 50V K	1	
	C48	CK73GXR1H104K	C CAPACITOR	0.1uF 50V K	1	
	C49	CK73GXR1H103K	C CAPACITOR	0.01uF 50V K	1	
	C50	CK73GXR1H103K	C CAPACITOR	0.01uF 50V K	1	
	C51	CK73GXR0J106K	C CAPACITOR	10uF 6.3V K	1	

MODEL	MARK	MODEL	MARK
XH401-4	W1	XR401-4	K0

Safe	Symbol No.	Parts No.	Parts Name	Description	QTY	Local
	C52	CK73FXR1C475K	C CAPACITOR	4.7uF 16V K	1	
	C53	CK73GXR1C225K	C CAPACITOR	2.2uF 16V K	1	
	C54	CC73GCH1H680J	C CAPACITOR	68pF 50V J	1	
	C101	CE32CL1C100M	E CAPACITOR	10uF 16V M	1	
	C102	CE32CL1C100M	E CAPACITOR	10uF 16V M	1	
	C103	CE32CL1C100M	E CAPACITOR	10uF 16V M	1	
	C104	CE32CL1C100M	E CAPACITOR	10uF 16V M	1	
	C105	CC73GCH1H680J	C CAPACITOR	68pF 50V J	1	
	C106	CC73GCH1H680J	C CAPACITOR	68pF 50V J	1	
	C107	CC73GCH1H330J	C CAPACITOR	33pF 50V J	1	
	C108	CC73GCH1H330J	C CAPACITOR	33pF 50V J	1	
	C109	CC73GCH1H330J	C CAPACITOR	33pF 50V J	1	
	C110	CC73GCH1H330J	C CAPACITOR	33pF 50V J	1	
	C111	CK73GXR1H103K	C CAPACITOR	0.01uF 50V K	1	
	C112	CK73GXR1H103K	C CAPACITOR	0.01uF 50V K	1	
	C113	CC73GCH1H330J	C CAPACITOR	33pF 50V J	1	
	C114	CC73GCH1H330J	C CAPACITOR	33pF 50V J	1	
	C115	CC73GCH1H330J	C CAPACITOR	33pF 50V J	1	
	C116	CC73GCH1H330J	C CAPACITOR	33pF 50V J	1	
	C117	CC73GCH1H330J	C CAPACITOR	33pF 50V J	1	
	C118	CC73GCH1H330J	C CAPACITOR	33pF 50V J	1	
	C119	CK73GXR1H103K	C CAPACITOR	0.01uF 50V K	1	
	C120	CK73GXR1H103K	C CAPACITOR	0.01uF 50V K	1	
	C121	CE32CL1C220M	E CAPACITOR	22uF 16V M	1	
	C122	CE32CL1C220M	E CAPACITOR	22uF 16V M	1	
	C123	CC73GCH1H220J	C CAPACITOR	22pF 50V J	1	
	C124	CC73GCH1H220J	C CAPACITOR	22pF 50V J	1	
	C125	CK73GXR1H103K	C CAPACITOR	0.01uF 50V K	1	
	C126	CK73GXR1H103K	C CAPACITOR	0.01uF 50V K	1	
	C151	CC73GCH1H330J	C CAPACITOR	33pF 50V J	1	
	C152	CC73GCH1H330J	C CAPACITOR	33pF 50V J	1	
	C153	CK73GXR1C224K	C CAPACITOR	0.22uF 16V K	1	
	C154	CK73GXR1C224K	C CAPACITOR	0.22uF 16V K	1	
	C155	CK73GB1H562K	C CAPACITOR	5600pF 50V K	1	
	C156	CK73GB1H562K	C CAPACITOR	5600pF 50V K	1	
	C157	CK73GBB1H333K	C CAPACITOR	0.033uF 50V K	1	
	C158	CK73GBB1H333K	C CAPACITOR	0.033uF 50V K	1	
	C159	CC73GCH1H821J	C CAPACITOR	820pF 50V J	1	
	C160	CC73GCH1H821J	C CAPACITOR	820pF 50V J	1	
	C161	CC73GCH1H560J	C CAPACITOR	56pF 50V J	1	
	C162	CC73GCH1H560J	C CAPACITOR	56pF 50V J	1	
	C163	CK73GXR1H103K	C CAPACITOR	0.01uF 50V K	1	
	C164	CK73GXR1H103K	C CAPACITOR	0.01uF 50V K	1	
	C165	CC73GCH1H471J	C CAPACITOR	470pF 50V J	1	
	C166	CC73GCH1H471J	C CAPACITOR	470pF 50V J	1	
	C167	CC73GCH1H221J	C CAPACITOR	220pF 50V J	1	
	C168	CC73GCH1H221J	C CAPACITOR	220pF 50V J	1	
	C169	CK73GXR1H103K	C CAPACITOR	0.01uF 50V K	1	
	C170	CK73GXR1H103K	C CAPACITOR	0.01uF 50V K	1	
	C201	CE32CL1C100M	E CAPACITOR	10uF 16V M	1	
	C202	CE32CL1C100M	E CAPACITOR	10uF 16V M	1	
	C203	CE32CL1C100M	E CAPACITOR	10uF 16V M	1	
	C204	CE32CL1C100M	E CAPACITOR	10uF 16V M	1	
	C205	CC73GCH1H680J	C CAPACITOR	68pF 50V J	1	
	C206	CC73GCH1H680J	C CAPACITOR	68pF 50V J	1	
	C207	CC73GCH1H330J	C CAPACITOR	33pF 50V J	1	
	C208	CC73GCH1H330J	C CAPACITOR	33pF 50V J	1	
	C209	CC73GCH1H330J	C CAPACITOR	33pF 50V J	1	
	C210	CC73GCH1H330J	C CAPACITOR	33pF 50V J	1	
	C211	CK73GXR1H103K	C CAPACITOR	0.01uF 50V K	1	
	C212	CK73GXR1H103K	C CAPACITOR	0.01uF 50V K	1	
	C213	CC73GCH1H330J	C CAPACITOR	33pF 50V J	1	
	C214	CC73GCH1H330J	C CAPACITOR	33pF 50V J	1	
	C215	CC73GCH1H330J	C CAPACITOR	33pF 50V J	1	
	C216	CC73GCH1H330J	C CAPACITOR	33pF 50V J	1	
	C217	CC73GCH1H330J	C CAPACITOR	33pF 50V J	1	
	C218	CC73GCH1H330J	C CAPACITOR	33pF 50V J	1	
	C221	CE32CL1C220M	E CAPACITOR	22uF 16V M	1	
	C222	CE32CL1C220M	E CAPACITOR	22uF 16V M	1	
	C223	CC73GCH1H220J	C CAPACITOR	22pF 50V J	1	
	C224	CC73GCH1H220J	C CAPACITOR	22pF 50V J	1	
	C225	CK73GXR1H103K	C CAPACITOR	0.01uF 50V K	1	
	C226	CK73GXR1H103K	C CAPACITOR	0.01uF 50V K	1	
	C251	CC73GCH1H330J	C CAPACITOR	33pF 50V J	1	
	C252	CC73GCH1H330J	C CAPACITOR	33pF 50V J	1	
	C253	CK73GXR1C224K	C CAPACITOR	0.22uF 16V K	1	
	C254	CK73GXR1C224K	C CAPACITOR	0.22uF 16V K	1	
	C255	CK73GB1H562K	C CAPACITOR	5600pF 50V K	1	
	C256	CK73GB1H562K	C CAPACITOR	5600pF 50V K	1	
	C257	CK73GBB1H333K	C CAPACITOR	0.033uF 50V K	1	
	C258	CK73GBB1H333K	C CAPACITOR	0.033uF 50V K	1	
	C259	CC73GCH1H821J	C CAPACITOR	820pF 50V J	1	
	C260	CC73GCH1H821J	C CAPACITOR	820pF 50V J	1	
	C261	CC73GCH1H560J	C CAPACITOR	56pF 50V J	1	
	C262	CC73GCH1H560J	C CAPACITOR	56pF 50V J	1	
	C263	CK73GXR1H103K	C CAPACITOR	0.01uF 50V K	1	
	C264	CK73GXR1H103K	C CAPACITOR	0.01uF 50V K	1	
	C265	CC73GCH1H471J	C CAPACITOR	470pF 50V J	1	
	C266	CC73GCH1H471J	C CAPACITOR	470pF 50V J	1	
	C267	CC73GCH1H221J	C CAPACITOR	220pF 50V J	1	
	C268	CC73GCH1H221J	C CAPACITOR	220pF 50V J	1	
	C301	CC73GCH1H151J	C CAPACITOR	150pF 50V J	1	
	C302	CC73GCH1H151J	C CAPACITOR	150pF 50V J	1	

MODEL	MARK	MODEL	MARK
XH401-4	W1	XR401-4	K0

Safe	Symbol No.	Parts No.	Parts Name	Description	QTY	Local
	C303	CE32CL1C100M	E CAPACITOR	10uF 16V M	1	
	C304	CE32CL1C100M	E CAPACITOR	10uF 16V M	1	
	C305	CC73GCH1H102J	C CAPACITOR	1000pF 50V J	1	
	C306	CC73GCH1H102J	C CAPACITOR	1000pF 50V J	1	
	C307	CC73GCH1H102J	C CAPACITOR	1000pF 50V J	1	
	C308	CC73GCH1H102J	C CAPACITOR	1000pF 50V J	1	
	C309	CK73GXR0J106K	C CAPACITOR	10uF 6.3V K	1	
	C310	CK73GXR0J106K	C CAPACITOR	10uF 6.3V K	1	
	C311	CC73GCH1H102J	C CAPACITOR	1000pF 50V J	1	
	C312	CC73GCH1H102J	C CAPACITOR	1000pF 50V J	1	
	C313	CK73FXR1C106K	C CAPACITOR	10uF 16V K	1	
	C314	CK73GXR1H103K	C CAPACITOR	0.01uF 50V K	1	
	C315	CK73FXR1C106K	C CAPACITOR	10uF 16V K	1	
	C316	CK73GXR1H104K	C CAPACITOR	0.1uF 50V K	1	
	C317	CK73FXR1C106K	C CAPACITOR	10uF 16V K	1	
	C319	CK73GXR1H104K	C CAPACITOR	0.1uF 50V K	1	
	C320	CK73GXR1H104K	C CAPACITOR	0.1uF 50V K	1	
	C321	CK73EXR1E106K	C CAPACITOR	10uF 25V K	1	
	C322	CK73EXR1E106K	C CAPACITOR	10uF 25V K	1	
	C323	CE32BF1H220M	E CAPACITOR	22uF 50V M	1	
	C324	CE32BF1H220M	E CAPACITOR	22uF 50V M	1	
	C325	CE32BF1H220M	E CAPACITOR	22uF 50V M	1	
	C326	CE32BF1H220M	E CAPACITOR	22uF 50V M	1	
	C327	CK73GXR1H104K	C CAPACITOR	0.1uF 50V K	1	
	C328	CK73GXR1H104K	C CAPACITOR	0.1uF 50V K	1	
	C329	CK73GXR1H104K	C CAPACITOR	0.1uF 50V K	1	
	C330	CK73GXR1H104K	C CAPACITOR	0.1uF 50V K	1	
	C331	CC73GCH1H101J	C CAPACITOR	100pF 50V J	1	
	C332	CC73GCH1H101J	C CAPACITOR	100pF 50V J	1	
	C333	CK73FXR1H224K	C CAPACITOR	0.22uF 50V K	1	
	C334	CK73FXR1H224K	C CAPACITOR	0.22uF 50V K	1	
	C335	CK73FXR1H224K	C CAPACITOR	0.22uF 50V K	1	
	C336	CK73FXR1H224K	C CAPACITOR	0.22uF 50V K	1	
	C337	CK73GXR1H102K	C CAPACITOR	1000pF 50V K	1	
	C338	CK73GXR1H102K	C CAPACITOR	1000pF 50V K	1	
	C339	CK73GXR1H102K	C CAPACITOR	1000pF 50V K	1	
	C340	CK73GXR1H102K	C CAPACITOR	1000pF 50V K	1	
	C341	CK73GXR1H102K	C CAPACITOR	1000pF 50V K	1	
	C342	CK73GXR1H102K	C CAPACITOR	1000pF 50V K	1	
	C343	CK73GXR1H102K	C CAPACITOR	1000pF 50V K	1	
	C344	CK73GXR1H102K	C CAPACITOR	1000pF 50V K	1	
	C345	CB19FAW1H334J	CFILM CAPACITOR	0.33uF 50V J	1	
	C346	CB19FAW1H334J	CFILM CAPACITOR	0.33uF 50V J	1	
	C347	CK73GGB1H683K	C CAPACITOR	0.068uF 50V K	1	
	C348	CK73GGB1H683K	C CAPACITOR	0.068uF 50V K	1	
	C349	CK73GXR1H103K	C CAPACITOR	0.01uF 50V K	1	
	C350	CK73GXR1H103K	C CAPACITOR	0.01uF 50V K	1	
	C351	CK73GXR1H104K	C CAPACITOR	0.1uF 50V K	1	
	C401	CC73GCH1H151J	C CAPACITOR	150pF 50V J	1	
	C402	CC73GCH1H151J	C CAPACITOR	150pF 50V J	1	
	C403	CE32CL1C100M	E CAPACITOR	10uF 16V M	1	
	C404	CE32CL1C100M	E CAPACITOR	10uF 16V M	1	
	C405	CC73GCH1H102J	C CAPACITOR	1000pF 50V J	1	
	C406	CC73GCH1H102J	C CAPACITOR	1000pF 50V J	1	
	C407	CC73GCH1H102J	C CAPACITOR	1000pF 50V J	1	
	C408	CC73GCH1H102J	C CAPACITOR	1000pF 50V J	1	
	C409	CK73GXR0J106K	C CAPACITOR	10uF 6.3V K	1	
	C410	CK73GXR0J106K	C CAPACITOR	10uF 6.3V K	1	
	C411	CC73GCH1H102J	C CAPACITOR	1000pF 50V J	1	
	C412	CC73GCH1H102J	C CAPACITOR	1000pF 50V J	1	
	C413	CK73FXR1C106K	C CAPACITOR	10uF 16V K	1	
	C414	CK73GXR1H103K	C CAPACITOR	0.01uF 50V K	1	
	C415	CK73FXR1C106K	C CAPACITOR	10uF 16V K	1	
	C416	CK73GXR1H104K	C CAPACITOR	0.1uF 50V K	1	
	C417	CK73FXR1C106K	C CAPACITOR	10uF 16V K	1	
	C419	CK73GXR1H104K	C CAPACITOR	0.1uF 50V K	1	
	C420	CK73GXR1H104K	C CAPACITOR	0.1uF 50V K	1	
	C421	CK73EXR1E106K	C CAPACITOR	10uF 25V K	1	
	C422	CK73EXR1E106K	C CAPACITOR	10uF 25V K	1	
	C423	CE32BF1H220M	E CAPACITOR	22uF 50V M	1	
	C424	CE32BF1H220M	E CAPACITOR	22uF 50V M	1	
	C425	CE32BF1H220M	E CAPACITOR	22uF 50V M	1	
	C426	CE32BF1H220M	E CAPACITOR	22uF 50V M	1	
	C427	CK73GXR1H104K	C CAPACITOR	0.1uF 50V K	1	
	C428	CK73GXR1H104K	C CAPACITOR	0.1uF 50V K	1	
	C429	CK73GXR1H104K	C CAPACITOR	0.1uF 50V K	1	
	C430	CK73GXR1H104K	C CAPACITOR	0.1uF 50V K	1	
	C431	CC73GCH1H101J	C CAPACITOR	100pF 50V J	1	
	C432	CC73GCH1H101J	C CAPACITOR	100pF 50V J	1	
	C433	CK73FXR1H224K	C CAPACITOR	0.22uF 50V K	1	
	C434	CK73FXR1H224K	C CAPACITOR	0.22uF 50V K	1	
	C435	CK73FXR1H224K	C CAPACITOR	0.22uF 50V K	1	
	C436	CK73FXR1H224K	C CAPACITOR	0.22uF 50V K	1	
	C437	CK73GXR1H102K	C CAPACITOR	1000pF 50V K	1	
	C438	CK73GXR1H102K	C CAPACITOR	1000pF 50V K	1	
	C439	CK73GXR1H102K	C CAPACITOR	1000pF 50V K	1	
	C440	CK73GXR1H102K	C CAPACITOR	1000pF 50V K	1	
	C441	CK73GXR1H102K	C CAPACITOR	1000pF 50V K	1	
	C442	CK73GXR1H102K	C CAPACITOR	1000pF 50V K	1	
	C443	CK73GXR1H102K	C CAPACITOR	1000pF 50V K	1	
	C444	CK73GXR1H102K	C CAPACITOR	1000pF 50V K	1	
	C445	CB19FAW1H334J	CFILM CAPACITOR	0.33uF 50V J	1	

MODEL	MARK	MODEL	MARK
XH401-4	W1	XR401-4	K0

Safe	Symbol No.	Parts No.	Parts Name	Description	QTY	Local
	C446	CB19FAW1H334J	CFILM CAPACITOR	0.33uF 50V J	1	
	C447	CK73GBB1H683K	C CAPACITOR	0.068uF 50V K	1	
	C448	CK73GBB1H683K	C CAPACITOR	0.068uF 50V K	1	
	C449	CK73GXR1H103K	C CAPACITOR	0.01uF 50V K	1	
	C450	CK73GXR1H103K	C CAPACITOR	0.01uF 50V K	1	
	C501	CK73GXR1C225K	C CAPACITOR	2.2uF 16V K	1	
	C502	CK73GXR1H103K	C CAPACITOR	0.01uF 50V K	1	
	C503	CK73EXR1C226K	C CAPACITOR	22uF 16V K	1	
	C504	CK73EXR1C226K	C CAPACITOR	22uF 16V K	1	
	C511	CK73FXR0J106K	C CAPACITOR	10uF 6.3V K	1	
	C512	CK73GXR1H103K	C CAPACITOR	0.01uF 50V K	1	
	C513	CK73GXR1H102K	C CAPACITOR	1000pF 50V K	1	
	C514	CK73GXR1E105K	C CAPACITOR	1uF 25V K	1	
	C515	CK73GXR1C225K	C CAPACITOR	2.2uF 16V K	1	
	C519	CK73GXR1H103K	C CAPACITOR	0.01uF 50V K	1	
	C520	CK73GXR1H103K	C CAPACITOR	0.01uF 50V K	1	
	C988	CK73GXR1H103K	C CAPACITOR	0.01uF 50V K	1	
	C989	CK73GXR1H103K	C CAPACITOR	0.01uF 50V K	1	
	C990	CK73GXR1H103K	C CAPACITOR	0.01uF 50V K	1	
	C991	CK73GXR1H103K	C CAPACITOR	0.01uF 50V K	1	
	C992	CK73GXR1H103K	C CAPACITOR	0.01uF 50V K	1	
	C993	CK73GXR1H103K	C CAPACITOR	0.01uF 50V K	1	
	C994	CK73GXR1H103K	C CAPACITOR	0.01uF 50V K	1	
	C995	CK73GXR1H103K	C CAPACITOR	0.01uF 50V K	1	
	C996	CK73GXR1H103K	C CAPACITOR	0.01uF 50V K	1	
	C997	CK73GXR1H103K	C CAPACITOR	0.01uF 50V K	1	
	C998	CK73GXR1H103K	C CAPACITOR	0.01uF 50V K	1	
	C999	CK73GXR1H103K	C CAPACITOR	0.01uF 50V K	1	
	R1	RK73EB2E392J	MG RESISTOR	3.9kΩ 1/4W J	1	
	R2	RK73EB2E392J	MG RESISTOR	3.9kΩ 1/4W J	1	
	R3	RK73GB2A152J	MG RESISTOR	1.5kΩ 1/10W J	1	
	R4	RK73GB2A183J	MG RESISTOR	18kΩ 1/10W J	1	
	R5	RK73GB2A682J	MG RESISTOR	6.8kΩ 1/10W J	1	
	R6	RK73GB2A682J	MG RESISTOR	6.8kΩ 1/10W J	1	
	R7	RK73GB2A392J	MG RESISTOR	3.9kΩ 1/10W J	1	
	R8	RK73GB2A472J	MG RESISTOR	4.7kΩ 1/10W J	1	
	R9	RK73GB2A472J	MG RESISTOR	4.7kΩ 1/10W J	1	
	R10	RK73GB2A203J	MG RESISTOR	20kΩ 1/10W J	1	
	R11	RK73GB2A104J	MG RESISTOR	100kΩ 1/10W J	1	
	R12	RK73GB2A102J	MG RESISTOR	1kΩ 1/10W J	1	
	R13	RK73GB2A102J	MG RESISTOR	1kΩ 1/10W J	1	
	R14	RK73GB2A104J	MG RESISTOR	100kΩ 1/10W J	1	
	R15	RK73GB2A272J	MG RESISTOR	2.7kΩ 1/10W J	1	
	R16	RK73GB2A622J	MG RESISTOR	6.2kΩ 1/10W J	1	
	R17	RK73GB2A123J	MG RESISTOR	12kΩ 1/10W J	1	
	R18	RK73GB2A103J	MG RESISTOR	10kΩ 1/10W J	1	
	R19	RK73GB2A104J	MG RESISTOR	100kΩ 1/10W J	1	
	R20	RK73EB2E152J	MG RESISTOR	1.5kΩ 1/4W J	1	
	R21	RK73GB2A273J	MG RESISTOR	27kΩ 1/10W J	1	
	R22	RK73GB2A103J	MG RESISTOR	10kΩ 1/10W J	1	
	R23	RK73GB2A472J	MG RESISTOR	4.7kΩ 1/10W J	1	
	R24	RK73GB2A103J	MG RESISTOR	10kΩ 1/10W J	1	
	R25	RK73GB2A333J	MG RESISTOR	33kΩ 1/10W J	1	
	R26	RK73GB2A204J	MG RESISTOR	200kΩ 1/10W J	1	
	R27	RK73GB2A101J	MG RESISTOR	100Ω 1/10W J	1	
	R28	RK73GB2A103J	MG RESISTOR	10kΩ 1/10W J	1	
	R29	RK73GB2A223J	MG RESISTOR	22kΩ 1/10W J	1	
	R30	RK73GB2A102J	MG RESISTOR	1kΩ 1/10W J	1	
	R31	RK73GB2A103J	MG RESISTOR	10kΩ 1/10W J	1	
	R32	RK73GB2A223J	MG RESISTOR	22kΩ 1/10W J	1	
	R33	RK73GB2A123J	MG RESISTOR	12kΩ 1/10W J	1	
	R34	RK73GB2A103J	MG RESISTOR	10kΩ 1/10W J	1	
	R35	RK73GB2A470J	MG RESISTOR	47Ω 1/10W J	1	
	R36	RK73GB2A183J	MG RESISTOR	18kΩ 1/10W J	1	
	R37	RK73GB2A223J	MG RESISTOR	22kΩ 1/10W J	1	
	R38	RK73GB2A563J	MG RESISTOR	56kΩ 1/10W J	1	
	R39	RK73GB2A103J	MG RESISTOR	10kΩ 1/10W J	1	
	R40	RK73GB2A102J	MG RESISTOR	1kΩ 1/10W J	1	
	R41	RK73GB2A102J	MG RESISTOR	1kΩ 1/10W J	1	
	R42	RK73GB2A472J	MG RESISTOR	4.7kΩ 1/10W J	1	
	R43	RK73GB2A472J	MG RESISTOR	4.7kΩ 1/10W J	1	
	R44	RK73GB2A470J	MG RESISTOR	47Ω 1/10W J	1	
	R45	RK73GB2A470J	MG RESISTOR	47Ω 1/10W J	1	
	R46	RK73GB2A470J	MG RESISTOR	47Ω 1/10W J	1	
	R47	RK73GB2A470J	MG RESISTOR	47Ω 1/10W J	1	
	R48	RK73GB2A470J	MG RESISTOR	47Ω 1/10W J	1	
	R49	RK73GB2A470J	MG RESISTOR	47Ω 1/10W J	1	
	R50	RK73PB2H100J	MG RESISTOR	10Ω 1/2W J	1	
	R51	RK73PB2H100J	MG RESISTOR	10Ω 1/2W J	1	
	R52	RK73PB2H100J	MG RESISTOR	10Ω 1/2W J	1	
	R53	RK73PB2H100J	MG RESISTOR	10Ω 1/2W J	1	
	R54	RK73PB2H100J	MG RESISTOR	10Ω 1/2W J	1	
	R55	RK73EB2E473J	MG RESISTOR	47kΩ 1/4W J	1	
	R56	RK73EB2E473J	MG RESISTOR	47kΩ 1/4W J	1	
	R57	RK73EB2E4R7J	MG RESISTOR	4.7Ω 1/4W J	1	
	R58	RK73GB2A682J	MG RESISTOR	6.8kΩ 1/10W J	1	
	R59	RK73GB2A682J	MG RESISTOR	6.8kΩ 1/10W J	1	
	R60	RK73EB2E4R7J	MG RESISTOR	4.7Ω 1/4W J	1	
	R61	RK73EB2E4R7J	MG RESISTOR	4.7Ω 1/4W J	1	
	R62	RK73EB2E472J	MG RESISTOR	4.7kΩ 1/4W J	1	
	R63	RK73GB2A101J	MG RESISTOR	100Ω 1/10W J	1	
	R64	RK73GB2A101J	MG RESISTOR	100Ω 1/10W J	1	

MODEL	MARK	MODEL	MARK
XH401-4	W1	XR401-4	K0

Safe	Symbol No.	Parts No.	Parts Name	Description	QTY	Local
	R65	RK73GB2A101J	MG RESISTOR	100Ω 1/10W J	1	
	R66	RK73GB2A300J	MG RESISTOR	30Ω 1/10W J	1	
	R67	RK73GB2A300J	MG RESISTOR	30Ω 1/10W J	1	
	R68	RK73PB2H151J	MG RESISTOR	150Ω 1/2W J	1	
	R69	RK73EB2E272J	MG RESISTOR	2.7kΩ 1/4W J	1	
	R70	RK73EB2E272J	MG RESISTOR	2.7kΩ 1/4W J	1	
	R71	RK73PB2H151J	MG RESISTOR	150Ω 1/2W J	1	
	R72	RK73GB2A102J	MG RESISTOR	1kΩ 1/10W J	1	
	R73	RK73GB2A102J	MG RESISTOR	1kΩ 1/10W J	1	
	R74	RK73GB2A562J	MG RESISTOR	5.6kΩ 1/10W J	1	
	R75	RK73GB2A102J	MG RESISTOR	1kΩ 1/10W J	1	
	R76	RK73GB2A682J	MG RESISTOR	6.8kΩ 1/10W J	1	
	R77	RK73GB2A333J	MG RESISTOR	33kΩ 1/10W J	1	
	R78	RK73GB2A104J	MG RESISTOR	100kΩ 1/10W J	1	
	R79	RK73GB2A103J	MG RESISTOR	10kΩ 1/10W J	1	
	R80	RK73GB2A103J	MG RESISTOR	10kΩ 1/10W J	1	
	R81	RK73GB2A163J	MG RESISTOR	16kΩ 1/10W J	1	
	R82	RK73GB2A472J	MG RESISTOR	4.7kΩ 1/10W J	1	
	R83	RK73GB2A222J	MG RESISTOR	2.2kΩ 1/10W J	1	
	R84	RK73GB2A473J	MG RESISTOR	47kΩ 1/10W J	1	
	R85	RK73GB2A243J	MG RESISTOR	24kΩ 1/10W J	1	
	R86	RK73GB2A102J	MG RESISTOR	1kΩ 1/10W J	1	
	R87	RK73GB2A473J	MG RESISTOR	47kΩ 1/10W J	1	
	R88	RK73GB2A103J	MG RESISTOR	10kΩ 1/10W J	1	
	R89	RK73GB2A103J	MG RESISTOR	10kΩ 1/10W J	1	
	R90	RK73GB2A103J	MG RESISTOR	10kΩ 1/10W J	1	
	R91	RK73GB2A222J	MG RESISTOR	2.2kΩ 1/10W J	1	
	R92	RK73GB2A334J	MG RESISTOR	330kΩ 1/10W J	1	
	R93	RK73GB2A183J	MG RESISTOR	18kΩ 1/10W J	1	
	R94	RK73GB2A183J	MG RESISTOR	18kΩ 1/10W J	1	
	R95	RK73GB2A473J	MG RESISTOR	47kΩ 1/10W J	1	
	R96	RK73GB2A473J	MG RESISTOR	47kΩ 1/10W J	1	
	R97	RK73GB2A473J	MG RESISTOR	47kΩ 1/10W J	1	
	R98	RK73GB2A473J	MG RESISTOR	47kΩ 1/10W J	1	
	R99	RK73GB2A912J	MG RESISTOR	9.1kΩ 1/10W J	1	
	R101	RK73GB2A752J	MG RESISTOR	7.5kΩ 1/10W J	1	
	R102	RK73GB2A153J	MG RESISTOR	15kΩ 1/10W J	1	
	R103	RK73GB2A752J	MG RESISTOR	7.5kΩ 1/10W J	1	
	R105	RK73GB2A224J	MG RESISTOR	220kΩ 1/10W J	1	
	R106	RK73GB2A224J	MG RESISTOR	220kΩ 1/10W J	1	
	R107	RK73GB2A474J	MG RESISTOR	470kΩ 1/10W J	1	
	R108	RK73GB2A474J	MG RESISTOR	470kΩ 1/10W J	1	
	R109	RK73GB2A472J	MG RESISTOR	4.7kΩ 1/10W J	1	
	R110	RK73GB2A472J	MG RESISTOR	4.7kΩ 1/10W J	1	
	R111	RK73GB2A472J	MG RESISTOR	4.7kΩ 1/10W J	1	
	R112	RK73GB2A472J	MG RESISTOR	4.7kΩ 1/10W J	1	
	R113	RK73GH2A103D	MG RESISTOR	10kΩ 1/10W D	1	
	R114	RK73GH2A103D	MG RESISTOR	10kΩ 1/10W D	1	
	R115	RK73GH2A103D	MG RESISTOR	10kΩ 1/10W D	1	
	R116	RK73GH2A103D	MG RESISTOR	10kΩ 1/10W D	1	
	R117	RK73GH2A103D	MG RESISTOR	10kΩ 1/10W D	1	
	R118	RK73GH2A103D	MG RESISTOR	10kΩ 1/10W D	1	
	R119	RK73GH2A103D	MG RESISTOR	10kΩ 1/10W D	1	
	R120	RK73GH2A103D	MG RESISTOR	10kΩ 1/10W D	1	
	R121	RK73GB2A431J	MG RESISTOR	430Ω 1/10W J	1	
	R122	RK73GB2A431J	MG RESISTOR	430Ω 1/10W J	1	
	R123	RK73GB2A103J	MG RESISTOR	10kΩ 1/10W J	1	
	R124	RK73GB2A103J	MG RESISTOR	10kΩ 1/10W J	1	
	R125	RK73GB2A432J	MG RESISTOR	4.3kΩ 1/10W J	1	
	R126	RK73GB2A432J	MG RESISTOR	4.3kΩ 1/10W J	1	
	R127	RK73GB2A161J	MG RESISTOR	160Ω 1/10W J	1	
	R128	RK73GB2A161J	MG RESISTOR	160Ω 1/10W J	1	
	R129	RK73GB2A104J	MG RESISTOR	100kΩ 1/10W J	1	
	R130	RK73GB2A104J	MG RESISTOR	100kΩ 1/10W J	1	
	R131	RK73GB2A431J	MG RESISTOR	430Ω 1/10W J	1	
	R132	RK73GB2A431J	MG RESISTOR	430Ω 1/10W J	1	
	R133	RK73GB2A163J	MG RESISTOR	16kΩ 1/10W J	1	
	R134	RK73GB2A163J	MG RESISTOR	16kΩ 1/10W J	1	
	R135	RK73GB2A101J	MG RESISTOR	100Ω 1/10W J	1	
	R136	RK73GB2A101J	MG RESISTOR	100Ω 1/10W J	1	
	R151	RK73GB2A103J	MG RESISTOR	10kΩ 1/10W J	1	
	R152	RK73GB2A103J	MG RESISTOR	10kΩ 1/10W J	1	
	R153	RK73GB2A103J	MG RESISTOR	10kΩ 1/10W J	1	
	R154	RK73GB2A103J	MG RESISTOR	10kΩ 1/10W J	1	
	R155	RK73GB2A103J	MG RESISTOR	10kΩ 1/10W J	1	
	R156	RK73GB2A103J	MG RESISTOR	10kΩ 1/10W J	1	
	R157	RK73GB2A103J	MG RESISTOR	10kΩ 1/10W J	1	
	R158	RK73GB2A103J	MG RESISTOR	10kΩ 1/10W J	1	
	R159	RK73GB2A622J	MG RESISTOR	6.2kΩ 1/10W J	1	
	R160	RK73GB2A622J	MG RESISTOR	6.2kΩ 1/10W J	1	
	R161	RK73GB2A272J	MG RESISTOR	2.7kΩ 1/10W J	1	
	R162	RK73GB2A272J	MG RESISTOR	2.7kΩ 1/10W J	1	
	R163	RK73GB2A223J	MG RESISTOR	22kΩ 1/10W J	1	
	R164	RK73GB2A223J	MG RESISTOR	22kΩ 1/10W J	1	
	R165	RK73GB2A752J	MG RESISTOR	7.5kΩ 1/10W J	1	
	R166	RK73GB2A752J	MG RESISTOR	7.5kΩ 1/10W J	1	
	R167	RK73GB2A162J	MG RESISTOR	1.6kΩ 1/10W J	1	
	R168	RK73GB2A162J	MG RESISTOR	1.6kΩ 1/10W J	1	
	R169	RK73GB2A562J	MG RESISTOR	5.6kΩ 1/10W J	1	
	R170	RK73GB2A562J	MG RESISTOR	5.6kΩ 1/10W J	1	
	R171	RK73GB2A104J	MG RESISTOR	100kΩ 1/10W J	1	
	R172	RK73GB2A104J	MG RESISTOR	100kΩ 1/10W J	1	
	R201	RK73GB2A752J	MG RESISTOR	7.5kΩ 1/10W J	1	

MODEL	MARK	MODEL	MARK
XH401-4	W1	XR401-4	K0

Safe	Symbol No.	Parts No.	Parts Name	Description	QTY	Local
	R202	RK73GB2A153J	MG RESISTOR	15kΩ 1/10W J	1	
	R203	RK73GB2A752J	MG RESISTOR	7.5kΩ 1/10W J	1	
	R205	RK73GB2A224J	MG RESISTOR	220kΩ 1/10W J	1	
	R206	RK73GB2A224J	MG RESISTOR	220kΩ 1/10W J	1	
	R207	RK73GB2A474J	MG RESISTOR	470kΩ 1/10W J	1	
	R208	RK73GB2A474J	MG RESISTOR	470kΩ 1/10W J	1	
	R209	RK73GB2A472J	MG RESISTOR	4.7kΩ 1/10W J	1	
	R210	RK73GB2A472J	MG RESISTOR	4.7kΩ 1/10W J	1	
	R211	RK73GB2A472J	MG RESISTOR	4.7kΩ 1/10W J	1	
	R212	RK73GB2A472J	MG RESISTOR	4.7kΩ 1/10W J	1	
	R213	RK73GH2A103D	MG RESISTOR	10kΩ 1/10W D	1	
	R214	RK73GH2A103D	MG RESISTOR	10kΩ 1/10W D	1	
	R215	RK73GH2A103D	MG RESISTOR	10kΩ 1/10W D	1	
	R216	RK73GH2A103D	MG RESISTOR	10kΩ 1/10W D	1	
	R217	RK73GH2A103D	MG RESISTOR	10kΩ 1/10W D	1	
	R218	RK73GH2A103D	MG RESISTOR	10kΩ 1/10W D	1	
	R219	RK73GH2A103D	MG RESISTOR	10kΩ 1/10W D	1	
	R220	RK73GH2A103D	MG RESISTOR	10kΩ 1/10W D	1	
	R221	RK73GB2A431J	MG RESISTOR	430Ω 1/10W J	1	
	R222	RK73GB2A431J	MG RESISTOR	430Ω 1/10W J	1	
	R223	RK73GB2A103J	MG RESISTOR	10kΩ 1/10W J	1	
	R224	RK73GB2A103J	MG RESISTOR	10kΩ 1/10W J	1	
	R225	RK73GB2A432J	MG RESISTOR	4.3kΩ 1/10W J	1	
	R226	RK73GB2A432J	MG RESISTOR	4.3kΩ 1/10W J	1	
	R227	RK73GB2A161J	MG RESISTOR	160Ω 1/10W J	1	
	R228	RK73GB2A161J	MG RESISTOR	160Ω 1/10W J	1	
	R229	RK73GB2A104J	MG RESISTOR	100kΩ 1/10W J	1	
	R230	RK73GB2A104J	MG RESISTOR	100kΩ 1/10W J	1	
	R231	RK73GB2A431J	MG RESISTOR	430Ω 1/10W J	1	
	R232	RK73GB2A431J	MG RESISTOR	430Ω 1/10W J	1	
	R233	RK73GB2A163J	MG RESISTOR	16kΩ 1/10W J	1	
	R234	RK73GB2A163J	MG RESISTOR	16kΩ 1/10W J	1	
	R235	RK73GB2A101J	MG RESISTOR	100Ω 1/10W J	1	
	R236	RK73GB2A101J	MG RESISTOR	100Ω 1/10W J	1	
	R239	RK73GB2A103J	MG RESISTOR	10kΩ 1/10W J	1	
	R240	RK73GB2A103J	MG RESISTOR	10kΩ 1/10W J	1	
	R251	RK73GB2A103J	MG RESISTOR	10kΩ 1/10W J	1	
	R252	RK73GB2A103J	MG RESISTOR	10kΩ 1/10W J	1	
	R253	RK73GB2A103J	MG RESISTOR	10kΩ 1/10W J	1	
	R254	RK73GB2A103J	MG RESISTOR	10kΩ 1/10W J	1	
	R255	RK73GB2A103J	MG RESISTOR	10kΩ 1/10W J	1	
	R256	RK73GB2A103J	MG RESISTOR	10kΩ 1/10W J	1	
	R257	RK73GB2A103J	MG RESISTOR	10kΩ 1/10W J	1	
	R258	RK73GB2A103J	MG RESISTOR	10kΩ 1/10W J	1	
	R259	RK73GB2A622J	MG RESISTOR	6.2kΩ 1/10W J	1	
	R260	RK73GB2A622J	MG RESISTOR	6.2kΩ 1/10W J	1	
	R261	RK73GB2A272J	MG RESISTOR	2.7kΩ 1/10W J	1	
	R262	RK73GB2A272J	MG RESISTOR	2.7kΩ 1/10W J	1	
	R263	RK73GB2A223J	MG RESISTOR	22kΩ 1/10W J	1	
	R264	RK73GB2A223J	MG RESISTOR	22kΩ 1/10W J	1	
	R265	RK73GB2A752J	MG RESISTOR	7.5kΩ 1/10W J	1	
	R266	RK73GB2A752J	MG RESISTOR	7.5kΩ 1/10W J	1	
	R267	RK73GB2A162J	MG RESISTOR	1.6kΩ 1/10W J	1	
	R268	RK73GB2A162J	MG RESISTOR	1.6kΩ 1/10W J	1	
	R269	RK73GB2A562J	MG RESISTOR	5.6kΩ 1/10W J	1	
	R270	RK73GB2A562J	MG RESISTOR	5.6kΩ 1/10W J	1	
	R271	RK73GB2A104J	MG RESISTOR	100kΩ 1/10W J	1	
	R272	RK73GB2A104J	MG RESISTOR	100kΩ 1/10W J	1	
	R301	RK73GH2A562D	MG RESISTOR	5.6kΩ 1/10W D	1	
	R302	RK73GH2A562D	MG RESISTOR	5.6kΩ 1/10W D	1	
	R303	RK73GH2A102D	MG RESISTOR	1kΩ 1/10W D	1	
	R304	RK73GH2A102D	MG RESISTOR	1kΩ 1/10W D	1	
	R305	RK73GH2A223D	MG RESISTOR	22kΩ 1/10W D	1	
	R306	RK73GH2A223D	MG RESISTOR	22kΩ 1/10W D	1	
	R307	RK73GB2A1R0J	MG RESISTOR	1Ω 1/10W J	1	
	R308	RK73GB2A1R0J	MG RESISTOR	1Ω 1/10W J	1	
	R309	RK73GH2A561D	MG RESISTOR	560Ω 1/10W D	1	
	R310	RK73GH2A751D	MG RESISTOR	750Ω 1/10W D	1	
	R311	RK73GB2A103J	MG RESISTOR	10kΩ 1/10W J	1	
	R312	RK73GB2A103J	MG RESISTOR	10kΩ 1/10W J	1	
	R313	RK73GB2A101J	MG RESISTOR	100Ω 1/10W J	1	
	R314	RK73GB2A103J	MG RESISTOR	10kΩ 1/10W J	1	
	R315	RK73GB2A183J	MG RESISTOR	18kΩ 1/10W J	1	
	R317	RK73GB2A332J	MG RESISTOR	3.3kΩ 1/10W J	1	
	R318	RK73GB2A471J	MG RESISTOR	470Ω 1/10W J	1	
	R319	RK73GB2A100J	MG RESISTOR	10Ω 1/10W J	1	
	R320	RK73GB2A103J	MG RESISTOR	10kΩ 1/10W J	1	
	R321	RK73GB2A103J	MG RESISTOR	10kΩ 1/10W J	1	
	R322	RK73GB2A102J	MG RESISTOR	1kΩ 1/10W J	1	
	R323	RK73GB2A103J	MG RESISTOR	10kΩ 1/10W J	1	
	R324	RK73GB2A103J	MG RESISTOR	10kΩ 1/10W J	1	
	R325	RK73GB2A223J	MG RESISTOR	22kΩ 1/10W J	1	
	R326	RK73GB2A223J	MG RESISTOR	22kΩ 1/10W J	1	
	R327	RK73GB2A103J	MG RESISTOR	10kΩ 1/10W J	1	
	R328	RK73GB2A103J	MG RESISTOR	10kΩ 1/10W J	1	
	R329	RK73GB2A100J	MG RESISTOR	10Ω 1/10W J	1	
	R331	RK73GB2A183J	MG RESISTOR	18kΩ 1/10W J	1	
	R332	RK73GB2A183J	MG RESISTOR	18kΩ 1/10W J	1	
	R333	RK73EB2E4R7J	MG RESISTOR	4.7Ω 1/4W J	1	
	R334	RK73EB2E4R7J	MG RESISTOR	4.7Ω 1/4W J	1	
	R335	RK73EB2E150J	MG RESISTOR	15Ω 1/4W J	1	
	R336	RK73EB2E150J	MG RESISTOR	15Ω 1/4W J	1	

MODEL	MARK	MODEL	MARK
XH401-4	W1	XR401-4	K0

Safe	Symbol No.	Parts No.	Parts Name	Description	QTY	Local
	R337	RK73EB2E150J	MG RESISTOR	15Ω 1/4W J	1	
	R338	RK73EB2E150J	MG RESISTOR	15Ω 1/4W J	1	
	R339	RK73GH2A102D	MG RESISTOR	1kΩ 1/10W D	1	
	R340	RK73GH2A102D	MG RESISTOR	1kΩ 1/10W D	1	
	R341	RK73PB2H100J	MG RESISTOR	10Ω 1/2W J	1	
	R342	RK73PB2H100J	MG RESISTOR	10Ω 1/2W J	1	
	R343	RK73PB2H100J	MG RESISTOR	10Ω 1/2W J	1	
	R344	RK73PB2H100J	MG RESISTOR	10Ω 1/2W J	1	
	R345	RK73PB2H220J	MG RESISTOR	22Ω 1/2W J	1	
	R346	RK73PB2H220J	MG RESISTOR	22Ω 1/2W J	1	
	R347	RK73PB2H220J	MG RESISTOR	22Ω 1/2W J	1	
	R348	RK73PB2H220J	MG RESISTOR	22Ω 1/2W J	1	
	R349	RK73EB2E222J	MG RESISTOR	2.2kΩ 1/4W J	1	
	R350	RK73EB2E222J	MG RESISTOR	2.2kΩ 1/4W J	1	
	R351	RK73GB2A303J	MG RESISTOR	30kΩ 1/10W J	1	
	R352	RK73GB2A303J	MG RESISTOR	30kΩ 1/10W J	1	
	R353	RK73GB2A223J	MG RESISTOR	22kΩ 1/10W J	1	
	R354	RK73GB2A223J	MG RESISTOR	22kΩ 1/10W J	1	
	R401	RK73GH2A562D	MG RESISTOR	5.6kΩ 1/10W D	1	
	R402	RK73GH2A562D	MG RESISTOR	5.6kΩ 1/10W D	1	
	R403	RK73GH2A102D	MG RESISTOR	1kΩ 1/10W D	1	
	R404	RK73GH2A102D	MG RESISTOR	1kΩ 1/10W D	1	
	R405	RK73GH2A223D	MG RESISTOR	22kΩ 1/10W D	1	
	R406	RK73GH2A223D	MG RESISTOR	22kΩ 1/10W D	1	
	R407	RK73GB2A1R0J	MG RESISTOR	1Ω 1/10W J	1	
	R408	RK73GB2A1R0J	MG RESISTOR	1Ω 1/10W J	1	
	R409	RK73GH2A112D	MG RESISTOR	1.1kΩ 1/10W D	1	
	R410	RK73GH2A202D	MG RESISTOR	2kΩ 1/10W D	1	
	R411	RK73GB2A103J	MG RESISTOR	10kΩ 1/10W J	1	
	R412	RK73GB2A103J	MG RESISTOR	10kΩ 1/10W J	1	
	R413	RK73GB2A101J	MG RESISTOR	100Ω 1/10W J	1	
	R414	RK73GB2A103J	MG RESISTOR	10kΩ 1/10W J	1	
	R415	RK73GB2A183J	MG RESISTOR	18kΩ 1/10W J	1	
	R417	RK73GB2A332J	MG RESISTOR	3.3kΩ 1/10W J	1	
	R418	RK73GB2A471J	MG RESISTOR	470Ω 1/10W J	1	
	R419	RK73GB2A100J	MG RESISTOR	10Ω 1/10W J	1	
	R420	RK73GB2A103J	MG RESISTOR	10kΩ 1/10W J	1	
	R421	RK73GB2A103J	MG RESISTOR	10kΩ 1/10W J	1	
	R422	RK73GB2A102J	MG RESISTOR	1kΩ 1/10W J	1	
	R423	RK73GB2A103J	MG RESISTOR	10kΩ 1/10W J	1	
	R424	RK73GB2A103J	MG RESISTOR	10kΩ 1/10W J	1	
	R425	RK73GB2A223J	MG RESISTOR	22kΩ 1/10W J	1	
	R426	RK73GB2A223J	MG RESISTOR	22kΩ 1/10W J	1	
	R427	RK73GB2A103J	MG RESISTOR	10kΩ 1/10W J	1	
	R428	RK73GB2A103J	MG RESISTOR	10kΩ 1/10W J	1	
	R429	RK73GB2A100J	MG RESISTOR	10Ω 1/10W J	1	
	R431	RK73GB2A183J	MG RESISTOR	18kΩ 1/10W J	1	
	R432	RK73GB2A183J	MG RESISTOR	18kΩ 1/10W J	1	
	R433	RK73EB2E4R7J	MG RESISTOR	4.7Ω 1/4W J	1	
	R434	RK73EB2E4R7J	MG RESISTOR	4.7Ω 1/4W J	1	
	R435	RK73EB2E150J	MG RESISTOR	15Ω 1/4W J	1	
	R436	RK73EB2E150J	MG RESISTOR	15Ω 1/4W J	1	
	R437	RK73EB2E150J	MG RESISTOR	15Ω 1/4W J	1	
	R438	RK73EB2E150J	MG RESISTOR	15Ω 1/4W J	1	
	R439	RK73GH2A102D	MG RESISTOR	1kΩ 1/10W D	1	
	R440	RK73GH2A102D	MG RESISTOR	1kΩ 1/10W D	1	
	R441	RK73PB2H100J	MG RESISTOR	10Ω 1/2W J	1	
	R442	RK73PB2H100J	MG RESISTOR	10Ω 1/2W J	1	
	R443	RK73PB2H100J	MG RESISTOR	10Ω 1/2W J	1	
	R444	RK73PB2H100J	MG RESISTOR	10Ω 1/2W J	1	
	R445	RK73PB2H220J	MG RESISTOR	22Ω 1/2W J	1	
	R446	RK73PB2H220J	MG RESISTOR	22Ω 1/2W J	1	
	R447	RK73PB2H220J	MG RESISTOR	22Ω 1/2W J	1	
	R448	RK73PB2H220J	MG RESISTOR	22Ω 1/2W J	1	
	R449	RK73EB2E222J	MG RESISTOR	2.2kΩ 1/4W J	1	
	R450	RK73EB2E222J	MG RESISTOR	2.2kΩ 1/4W J	1	
	R451	RK73GB2A303J	MG RESISTOR	30kΩ 1/10W J	1	
	R452	RK73GB2A303J	MG RESISTOR	30kΩ 1/10W J	1	
	R501	RK73EB2E100J	MG RESISTOR	10Ω 1/4W J	1	
	R502	RK73EB2E392J	MG RESISTOR	3.9kΩ 1/4W J	1	
	R503	RK73EB2E152J	MG RESISTOR	1.5kΩ 1/4W J	1	
	R504	RK73GB2A123J	MG RESISTOR	12kΩ 1/10W J	1	
	R505	RK73GB2A103J	MG RESISTOR	10kΩ 1/10W J	1	
	R506	RK73GB2A102J	MG RESISTOR	1kΩ 1/10W J	1	
	R507	RK73GB2A102J	MG RESISTOR	1kΩ 1/10W J	1	
	R508	RK73GB2A101J	MG RESISTOR	100Ω 1/10W J	1	
	R509	RK73GB2A101J	MG RESISTOR	100Ω 1/10W J	1	
	R510	RK73GB2A473J	MG RESISTOR	47kΩ 1/10W J	1	
	R511	RK73GB2A102J	MG RESISTOR	1kΩ 1/10W J	1	
	R512	RK73GB2A101J	MG RESISTOR	100Ω 1/10W J	1	
	R513	RK73GB2A101J	MG RESISTOR	100Ω 1/10W J	1	
	R514	RK73EB2E392J	MG RESISTOR	3.9kΩ 1/4W J	1	
	R515	RK73GB2A473J	MG RESISTOR	47kΩ 1/10W J	1	
	R517	RK73GB2A473J	MG RESISTOR	47kΩ 1/10W J	1	
	R518	RK73GB2A473J	MG RESISTOR	47kΩ 1/10W J	1	
	R519	RK73GB2A473J	MG RESISTOR	47kΩ 1/10W J	1	
	VR1	R31-0258-05	VARIABLE RESISTOR	10K(A)	1	
	VR2	R31-0258-05	VARIABLE RESISTOR	10K(A)	1	
	VR3	R31-0257-05	VARIABLE RESISTOR	50K(C)	1	
	VR4	R31-0257-05	VARIABLE RESISTOR	50K(C)	1	

MODEL	MARK	MODEL	MARK
XH401-4	W1	XR401-4	K0

Safe	Symbol No.	Parts No.	Parts Name	Description	QTY	Local
			50K(C)			
	L1	L33-3209-05	CHOKO COIL		1	
	L2	L19-0852-05	TRANSFORMER FOR CONVERTER		1	
	L301	LR19E0AP100M	LEADED INDUCTOR	10uH	1	
	L302	LR19E0AP100M	LEADED INDUCTOR	10uH	1	
	L401	LR19E0AP100M	LEADED INDUCTOR	10uH	1	
	L402	LR19E0AP100M	LEADED INDUCTOR	10uH	1	
	J1	E70-0874-35	SCREW TER.BOARD		1	
	J2	E63-1000-05	PIN JACK		1	
	J3	E5J-0168-00	MODULAR JACK		1	
	S1	S62-0842-05	SLIDE SWITCH		1	
	S2	S62-0878-05	SLIDE SWITCH		1	
	S3	S62-0878-05	SLIDE SWITCH		1	
	S4	S31-2630-05	SLIDE SWITCH		1	
	S5	S31-2630-05	SLIDE SWITCH		1	
	TH1	NCP18WB473J0S	N THERMISTOR	47kΩ	1	
	TH2	NCP18WB473J0S	N THERMISTOR	47kΩ	1	