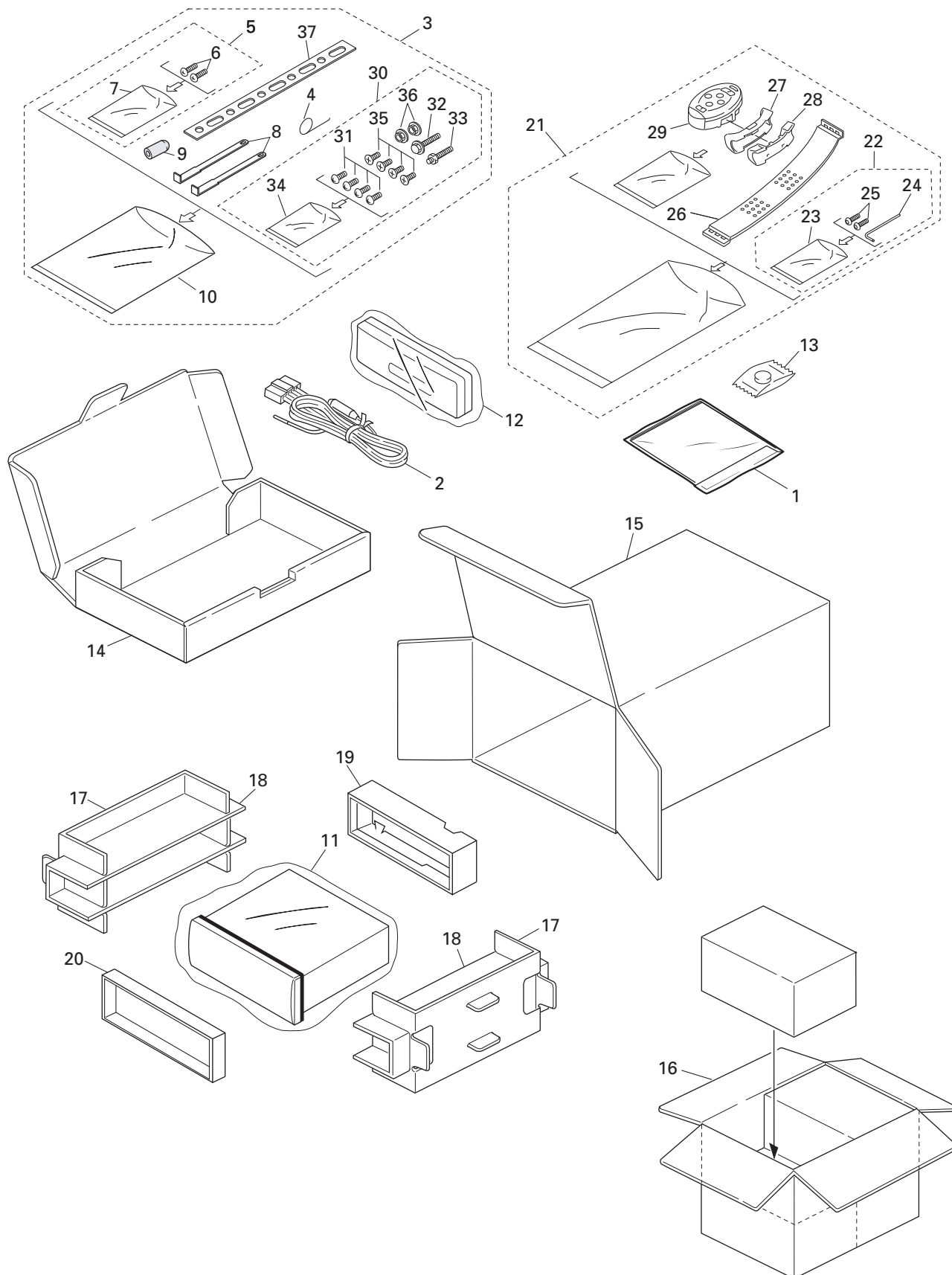


2. EXPLODED VIEWS AND PARTS LIST

2.1 PACKING (DEH-P840MP)



NOTE:

- Parts marked by “*” are generally unavailable because they are not in our Master Spare Parts List.
- Screws adjacent to ∇ mark on the product are used for disassembly.
- For the applying amount of lubricants or glue, follow the instructions in this manual.
(In the case of no amount instructions, apply as you think it appropriate.)

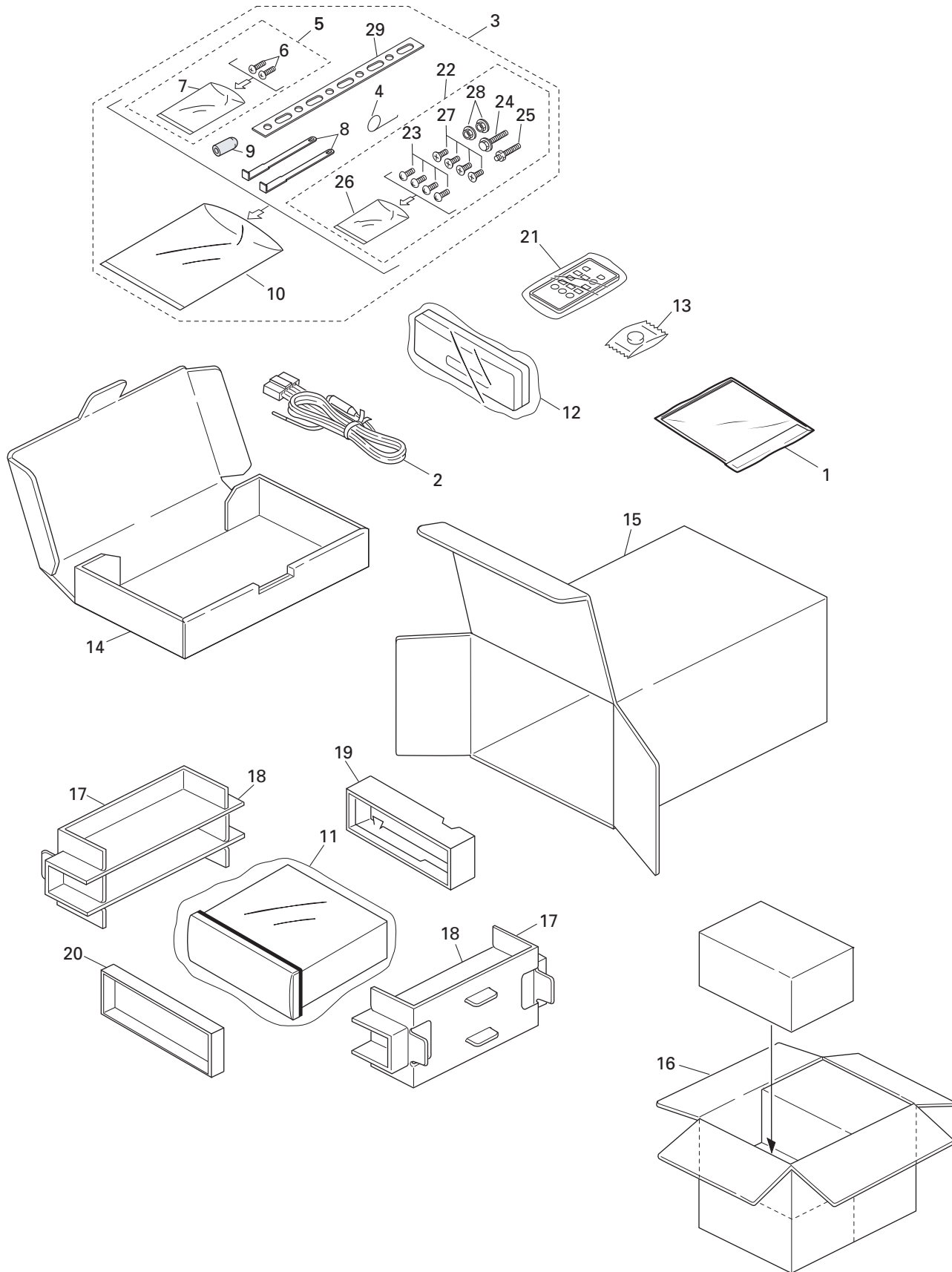
● PACKING SECTION PARTS LIST (DEH-P840MP)

Mark	No.	Description	Part No.	Mark	No.	Description	Part No.
	1-1	Owner’s Manual	CRD3569		22	Screw Assy	CZE3169
	1-2	Installation Manual	CRD3570	*	23	Polyethylene Bag	CEG-127
*	1-3	Caution Card	CRP1268	*	24	Hexagonal Wrench	CZE3176
*	1-4	Warranty Card	CRY1070	*	25	Screw	RMZ30H060FBK
	1-5	Polyethylene Bag	CEG1116		26	Belt	CZN7661
	2	Cord Assy	CDE6563		27	Holder Assy	CZX3172
	3	Accessory Assy	CEA3142		28	Holder Assy	CZX3173
	4	Spring	CBH1650		29	Remote Control Assy	CZX3257
	5	Screw Assy	CEA3140		30	Screw Assy	CEA3144
	6	Screw	BPZ20P060FMC		31	Screw	BMZ50P060FMC
*	7	Polyethylene Bag	CEG-127		32	Screw	CBA-102
	8	Handle	CNC5395		33	Screw	CBA1002
	9	Bush	CNV3930	*	34	Polyethylene Bag	CEG-127
*	10	Polyethylene Bag	CEG-158		35	Screw	CMZ50P060FMC
	11	Polyethylene Bag	CEG1185		36	Nut	NF50FMC
	12	Case Assy	CXB8574		37	Strap	CNC5402
*	13	Battery	CEX1030				
	14	Sub Carton	CHA3258				
	15	Carton	CHG4661				
	16	Contain Box	CHL4661				
	17	Protector	CHP2538				
	18	Protector	CHP2539				
	19	Protector	CHP2541				
	20	Protector	CHP2546				
	21	Remote Control Assy	CXB9202				

● Owner's Manual, Installation Manual

Part No.	Language
CRD3569	English, French
CRD3570	English, French

2.2 PACKING (DEH-P8400MP)



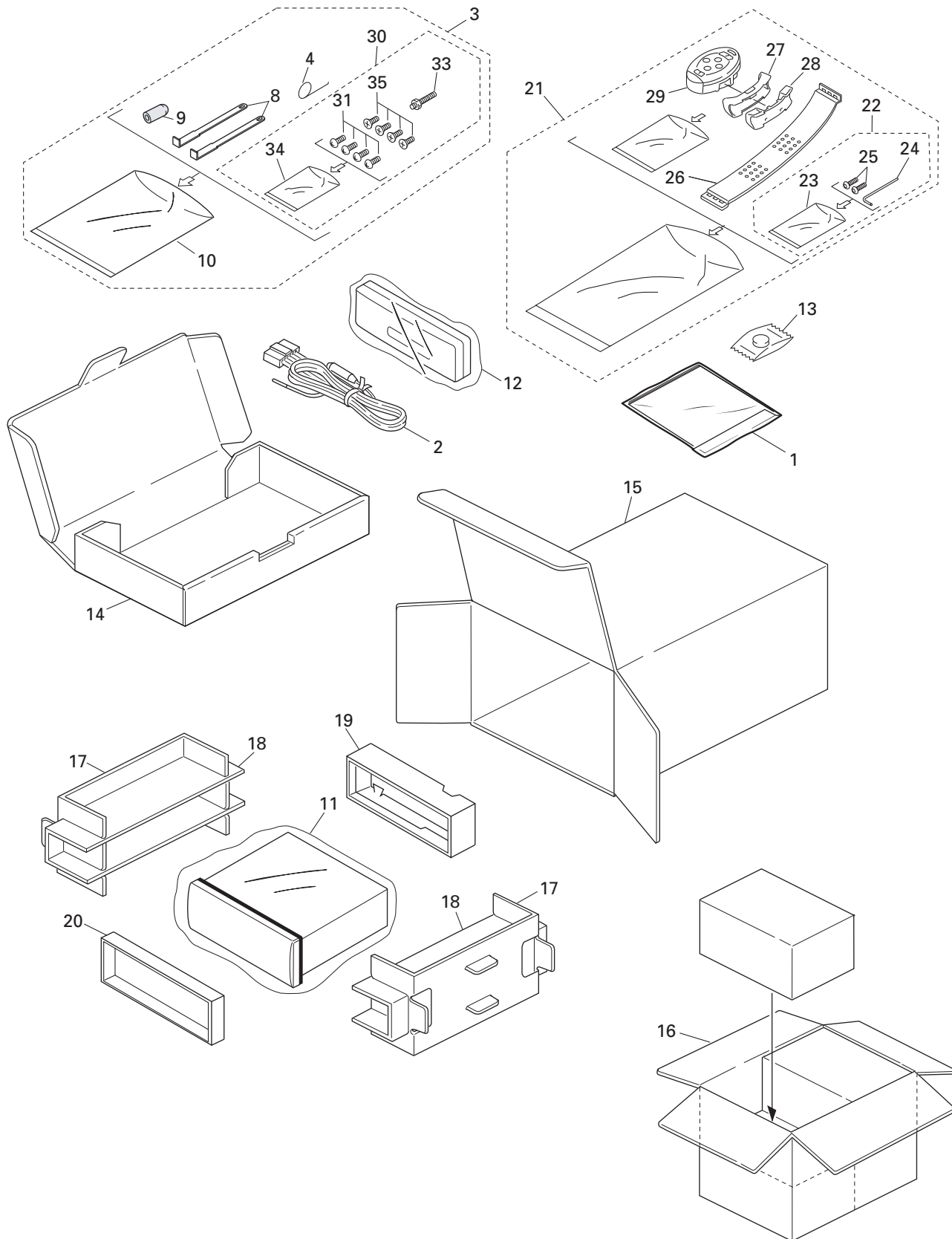
● PACKING SECTION PARTS LIST (DEH-P8400MP)

Mark	No.	Description	Part No.	Mark	No.	Description	Part No.
	1-1	Owner's Manual	CRD3571		17	Protector	CHP2538
	1-2	Installation Manual	CRD3572		18	Protector	CHP2539
*	1-3	Caution Card	CRP1268		19	Protector	CHP2541
*	1-4	Card	ARY1048		20	Protector	CHP2546
	1-5	Polyethylene Bag	CEG1116		21	Remote Control Unit	CXB8743
	2	Cord Assy	CDE6563		22	Screw Assy	CEA3144
	3	Accessory Assy	CEA3142		23	Screw	BMZ50P060FMC
	4	Spring	CBH1650		24	Screw	CBA-102
	5	Screw Assy	CEA3140		25	Screw	CBA1002
	6	Screw	BPZ20P060FMC	*	26	Polyethylene Bag	CEG-127
*	7	Polyethylene Bag	CEG-127		27	Screw	CMZ50P060FMC
	8	Handle	CNC5395		28	Nut	NF50FMC
	9	Bush	CNV3930		29	Strap	CNC5402
*	10	Polyethylene Bag	CEG-158				
	11	Polyethylene Bag	CEG1185				
	12	Case Assy	CXB8574				
*	13	Battery	CEX1065				
	14	Sub Carton	CHA3258				
	15	Carton	CHG4662				
	16	Contain Box	CHL4662				

● Owner's Manual, Installation Manual

Part No.	Language
CRD3571	English, French
CRD3572	English, French

2.3 PACKING (DEH-P8450MP)



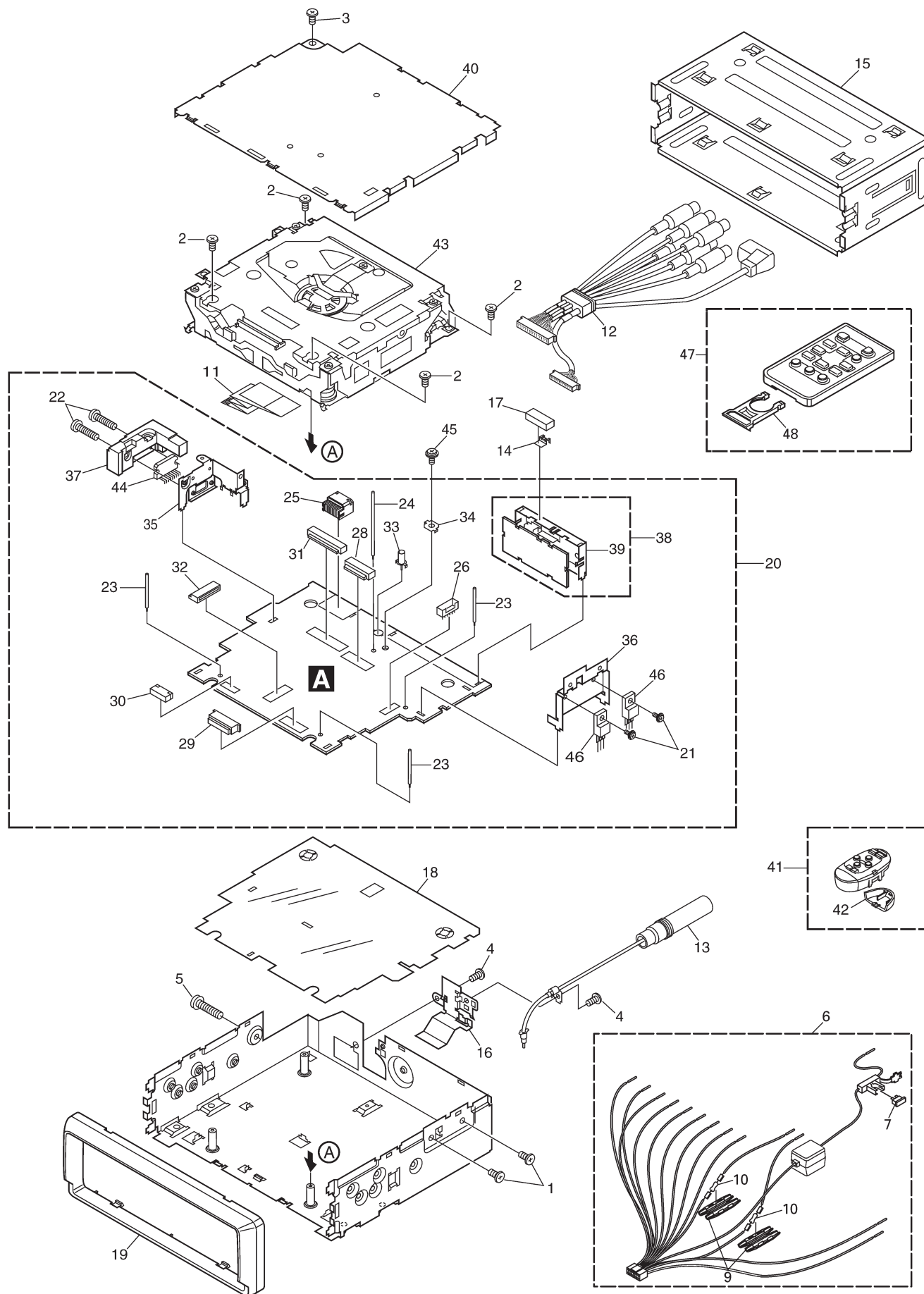
● PACKING SECTION PARTS LIST (DEH-P8450MP)

Mark	No.	Description	Part No.	Mark	No.	Description	Part No.
	1-1	Owner's Manual	CRD3573		19	Protector	CHP2541
	1-2	Owner's Manual	CRD3574		20	Protector	CHP2546
	1-3	Installation Manual	CRD3575		21	Remote Control Assy	CXB9202
*	1-4	Caution Card	CRP1268		22	Screw Assy	CZE3169
	1-5	Polyethylene Bag	CEG1116	*	23	Polyethylene Bag	CEG-127
	2	Cord Assy	CDE6563	*	24	Hexagonal Wrench	CZE3176
	3	Accessory Assy	CEA3143	*	25	Screw	RMZ30H060FBK
	4	Spring	CBH1650		26	Belt	CZN7661
	5-7			27	Holder Assy	CZX3172
	8	Handle	CNC5395		28	Holder Assy	CZX3173
	9	Bush	CNV3930		29	Remote Control Assy	CZX3257
*	10	Polyethylene Bag	CEG-158		30	Screw Assy	CEA2941
	11	Polyethylene Bag	CEG1088		31	Screw	BMZ50P060FMC
	12	Case Assy	CXB8574		32	
*	13	Battery	CEX1030		33	Screw	CBA1002
	14	Sub Carton	CHA3258	*	34	Polyethylene Bag	CEG-127
	15	Carton	CHG4663		35	Screw	CMZ50P060FMC
	16	Contain Box	CHL4663				
	17	Protector	CHP2538				
	18	Protector	CHP2539				

● Owner's Manual, Installation Manual

Part No.	Language
CRD3573	English, Spanish
CRD3574	Portuguese(B), Arabic
CRD3575	English, Spanish, Portuguese(B), Arabic

2.4 EXTERIOR(1)



(1) EXTERIOR(1) SECTION PARTS LIST

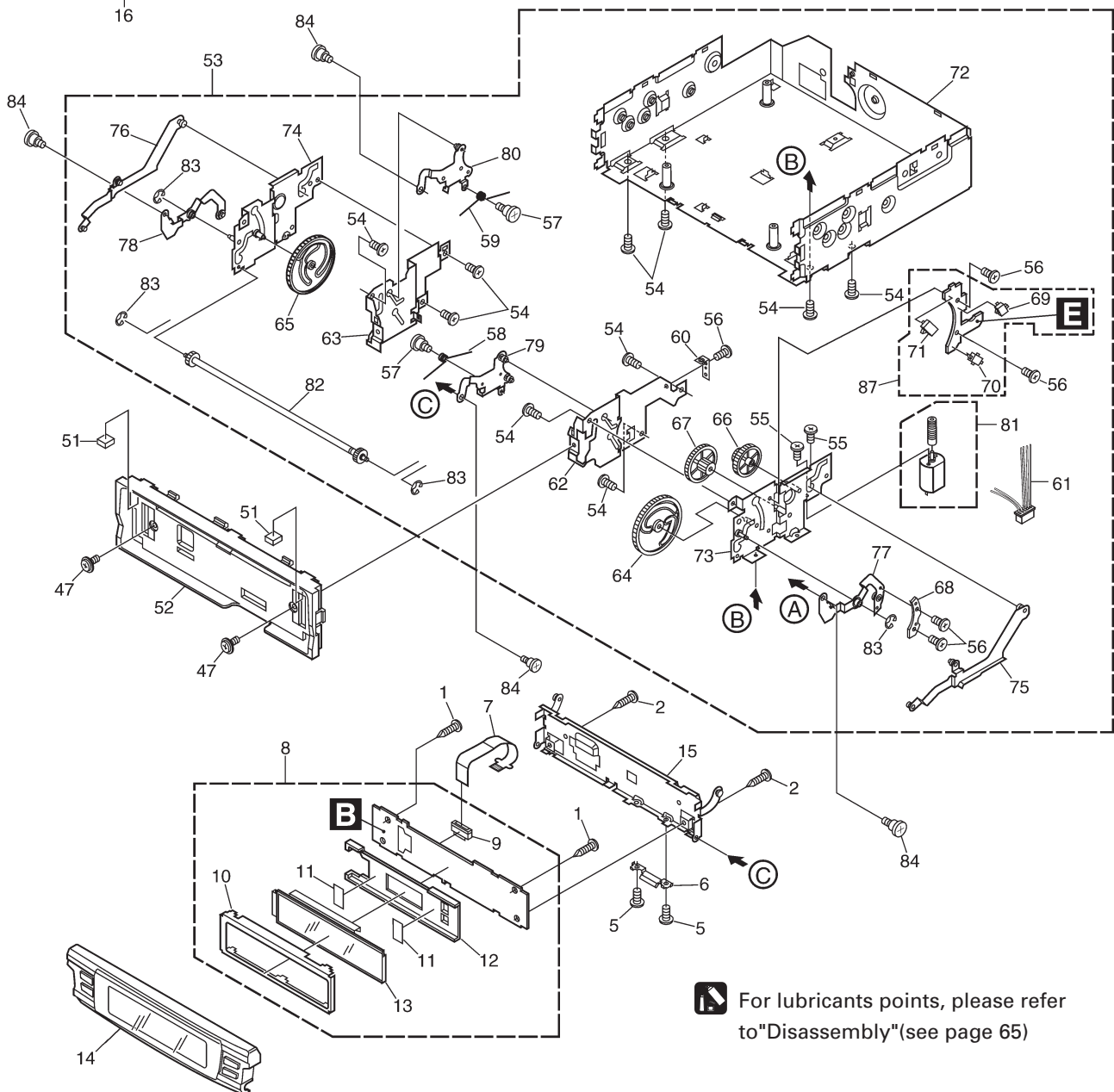
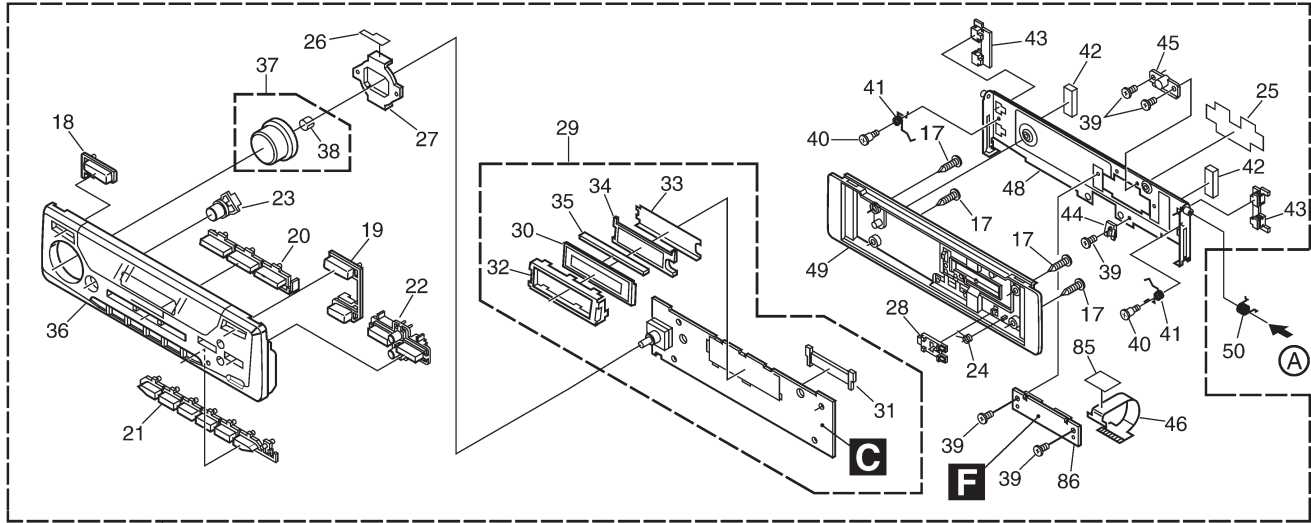
Mark	No.	Description	Part No.	Mark	No.	Description	Part No.
	1	Screw	BMZ26P040FMC		26	Plug(CN811)	CKS-787
	2	Screw	BSZ26P060FMC		27	*****	
	3	Screw	BSZ30P050FZK	*	28	Plug(CN101)	CKS1058
	4	Screw	BSZ30P080FMC		29	Connector(CN832)	CKS1082
	5	Screw	BSZ30P160FMC	*	30	Connector(CN831)	CKS2211
	6	Cord Assy	CDE6563		31	Connector(CN351)	CKS3606
	7	Fuse(10A)	CEK1136		32	Connector(CN723)	CKS3835
	8	*****			33	Pin Jack(CN402)	CKX1046
	9	Cap	CNS1472		34	Holder	CNC5399
	10	Resistor	RS1/2PMF102J		35	Holder	CNC9711
	11	Flat Cable	CDE7021		36	Holder	CNC9713
	12	Cord Assy	CDE7026		37	Heat Sink	CNR1615
	13	Antenna Cable	CDH1266		38	FM/AM Tuner Unit	CWE1563
	14	Holder	CNC6469		39	Holder	CNC8815
	15	Holder	CNC8659		40	Case Unit	CXB8524
	16	Holder	CNC9708		41	Remote Control Assy	See Contrast table(2)
	17	Cushion	CNM4870		42	Cover	See Contrast table(2)
	18	Insulator	CNM7543		43	CD Mechanism Module(S9MP3)	CXK5556
	19	Panel	CNS6863		44	IC(IC301)	PAL007A
	20	Tuner Amp Unit	See Contrast table(2)		45	Screw	ISS26P055FUC
	21	Screw	ASZ26P080FMC		46	Transistor(Q752,921)	2SD2396
	22	Screw	BMZ26P140FMC		47	Remote Control Unit	See Contrast table(2)
	23	Clamper	CEF1008		48	Cover	See Contrast table(2)
	24	Clamper	CEF1009				
	25	Plug(CN981)	CKM1278				


(2) CONTRAST TABLE

DEH-P840MP/XN/UC, DEH-P8400MP/XN/UC and DEH-P8450MP/XN/ES are constructed the same except for the following:

Mark No.	Symbol and Description	Part No.		
		DEH-P840MP/XN/UC	DEH-P8400MP/XN/UC	DEH-P8450MP/XN/ES
20	Tuner Amp Unit	CWM8042	CWM8043	CWM8044
41	Remote Control Assy	CZX3257	Not used	CZX3257
42	Cover	CZN7655	Not used	CZN7655
47	Remote Control Unit	Not used	CXB8743	Not used
48	Cover	Not used	CNS7068	Not used

2.5 EXTERIOR(2)



 For lubricants points, please refer to "Disassembly"(see page 65)

(1) EXTERIOR(2) SECTION PARTS LIST

Mark	No.	Description	Part No.	Mark	No.	Description	Part No.
	1	Screw	BPZ20P060FMC	47	Screw	ISS26P055FUC	
	2	Screw	BPZ20P080FZK	48	Case Unit	CXB7968	
	3,4	•••••		49	Cover Unit	CXB8127	
	5	Screw(M2x2)	CBA1250	50	Spring	CBH2545	
	6	Holder	CNC9800	51	Cushion	CNM7550	
	7	Flexible PCB	CNP6498	52	Panel Unit	CXB7953	
	8	Keyboard Unit(OEL)	See Contrast table(2)	53	Drive Unit	CXB8138	
	9	Connector(CN1801)	CKS4175	54	Screw	BMZ26P040FMC	
	10	Holder	CNC9649	55	Screw(M2x3)	CBA1061	
	11	Tape	CNM7514	56	Screw(M2x2)	CBA1250	
	12	Holder	CNV6916	57	Screw(M2x1.4)	CBA1562	
	13	OEL Unit	MXS8018	58	Spring	CBH2525	
	14	Sub Grille Assy	See Contrast table(2)	59	Spring	CBH2526	
	15	Case Unit	CXB7967	60	Spring	CBL1557	
	16	Detach Grille Assy	See Contrast table(2)	61	Cord	CDE6737	
	17	Screw	BPZ20P080FZK	62	Holder	CNC9678	
	18	Button(EJECT)	CAC7241	63	Holder	CNC9679	
	19	Button(OPEN/BAND)	CAC7242	64	Gear	CNV6932	
	20	Button(SRC/PAUSE/CLK)	CAC7244	65	Gear	CNV6933	
	21	Button(1-6)	CAC7246	66	Gear	CNV6935	
	22	Button(CROSS)	CAC7247	67	Gear	CNV6936	
	23	Button(EQ)	CAC7248	68	Lever	CNV6937	
	24	Spring	CBH2543	69	Switch(S951)	CSN1051	
	25	Insulator	CNM7649	70	Spring Switch(S952)	CSN1052	
	26	Sheet	CNM7824	71	Switch(S953)	CSN1058	
	27	Lighting Conductor	CNV6913	72	Chassis Unit	CXB7956	
	28	Arm	CNV6963	73	Holder Unit	CXB7959	
	29	Keyboard Unit(LCD)	CWM8056	74	Holder Unit	CXB7960	
	30	LCD(LCD1901)	CAW1704	75	Arm Unit	CXB7961	
	31	Connector(CN1901)	CKS4549	76	Arm Unit	CXB7962	
	32	Holder	CNC9648	77	Arm Unit	CXB7963	
	33	Sheet	CNM7512	78	Arm Unit	CXB7964	
	34	Lighting Conductor	CNV6914	79	Arm Unit	CXB7965	
	35	Connector	CNV6915	80	Arm Unit	CXB7966	
	36	Grille Unit	See Contrast table(2)	81	Motor Unit(M951)	CXB8939	
	37	Knob Assy	CXB8026	82	Gear Unit	CXB8940	
	38	Spring	CBL1321	83	Washer	YE15FUC	
	39	Screw(M2x2)	CBA1250	84	Screw	CBA1559	
	40	Screw	CBA1561	85	Sheet	CNM7839	
	41	Spring	CBH2530	86	PCB	CNX3607	
	42	Cushion	CNM7551	87	Switch Unit	CWS1370	
	43	Arm	CNV6962				
	44	Guide	CNV6967				
	45	Guide	CNV6968				
	46	Flexible PCB	CNP6869				

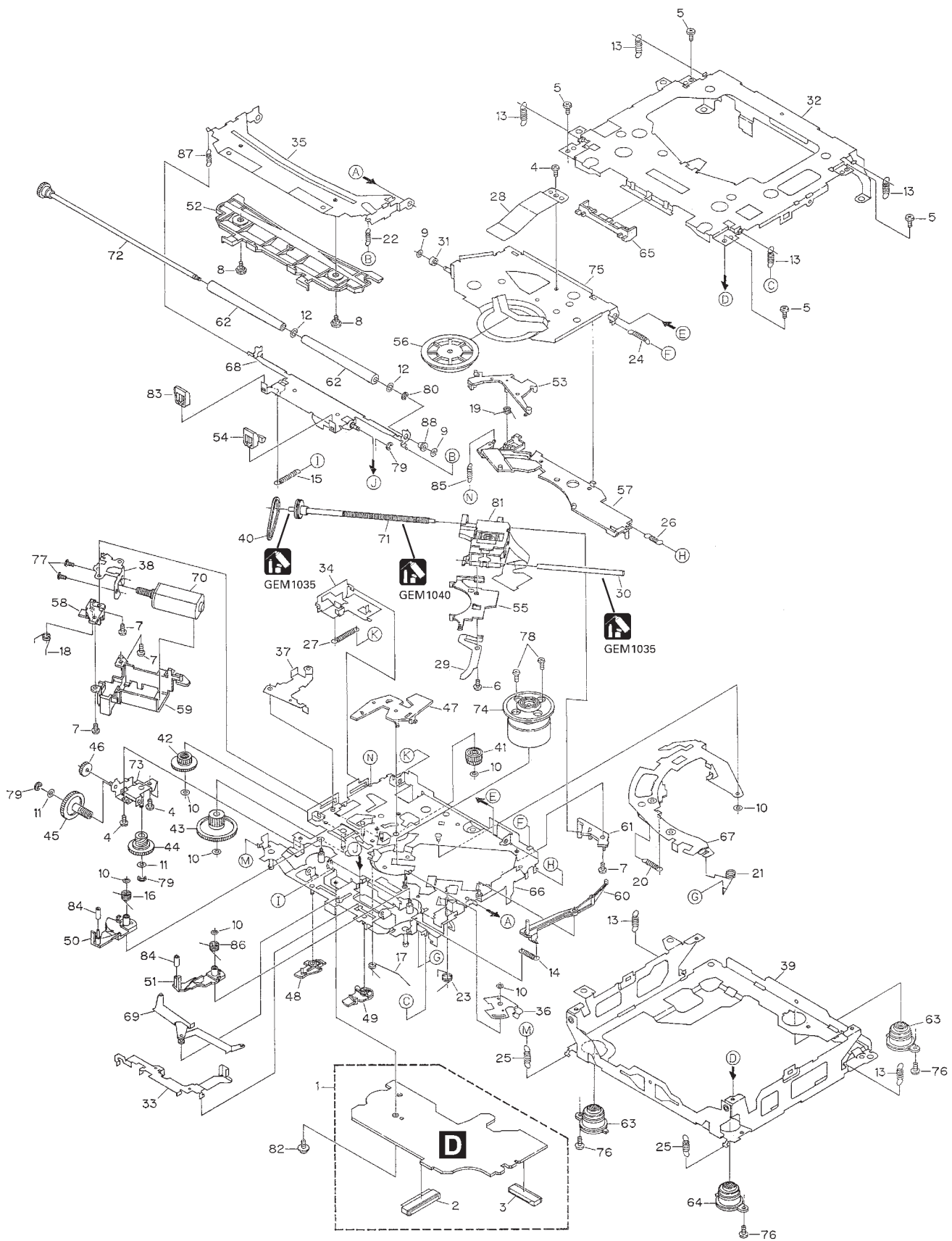
DEH-P840MP,P8400MP,P8450MP

(2) CONTRAST TABLE

DEH-P840MP/XN/UC, DEH-P8400MP/XN/UC and DEH-P8450MP/XN/ES are constructed the same except for the following:

Mark No.	Symbol and Description	Part No.		
		DEH-P840MP/XN/UC	DEH-P8400MP/XN/UC	DEH-P8450MP/XN/ES
8	Keyboard Unit(OEL)	CWM8051	CWM8052	CWM8052
14	Sub Grille Assy	CXB9363	CXB9362	CXB9364
16	Detach Grille Assy	CXB8092	CXB8093	CXB8094
36	Grille Unit	CXB7942	CXB7941	CXB7943

2.6 CD MECHANISM MODULE



● CD MECHANISM MODULE SECTION PARTS LIST

Mark No.	Description	Part No.	Mark No.	Description	Part No.
1	CD Core Unit(S9MP3)	CWX2618	46	Gear	CNV6320
2	Connector(CN901)	CKS4188	47	Arm	CNV6322
3	Connector(CN101)	CKS3486	48	Arm	CNV6323
4	Screw	BMZ20P025FMC	49	Arm	CNV6324
5	Screw	BSZ20P040FMC	50	Arm	CNV6888
6	Screw(M2x4)	CBA1362	51	Arm	CNV6889
7	Screw(M2x3)	CBA1527	52	Guide	CNV6327
8	Screw	CBA1545	53	Arm	CNV6924
9	Washer	CBF1037	54	Guide	CNV6921
10	Washer	CBF1038	55	Rack	CNV6923
11	Washer	CBF1039	56	Clamper	CNV6331
12	Washer	CBF1060	57	Arm	CNV6332
13	Spring	CBH2378	58	Guide	CNV6333
14	Spring	CBH2379	59	Cover	CNV6334
15	Spring	CBH2514	60	Arm	CNV6335
16	Spring	CBH2533	61	Guide	CNV6336
17	Spring	CBH2382	62	Roller	CNV6338
18	Spring	CBH2383	63	Damper	CNV6175
19	Spring	CBH2384	64	Damper	CNV6662
20	Spring	CBH2527	65	Guide	CNV6925
21	Spring	CBH2386	66	Chassis Unit	CXB7980
22	Spring	CBH2537	* 67	Arm Unit	CXB7983
23	Spring	CBH2390	68	Arm Unit	CXB7984
24	Spring	CBH2391	69	Arm Unit	CXB7985
25	Spring	CBH2523	70	Motor Unit(M2)	CXB5903
26	Spring	CBH2426	71	Screw Unit	CXB5904
27	Spring	CBH2444	72	Gear Unit	CXB8076
28	Spring	CBL1561	73	Bracket Unit	CXB7982
29	Spring	CBL1553	74	Motor Unit(M1)	CXB6007
30	Shaft	CLA3845	75	Arm Unit	CXB8504
31	Roller	CLA3910	76	Screw(M2x5)	EBA1028
32	Frame	CNC9654	77	Screw	JFZ20P020FMC
33	Lever	CNC9664	78	Screw	JGZ17P020FZK
34	Lever	CNC8949	79	Washer	YE15FUC
35	Arm	CNC9661	80	Washer	YE20FUC
36	Arm	CNC9016	81	Pickup Unit(Service)(P9MP3)	CXX1550
37	Arm	CNC9017	82	Screw	IMS26P030FMC
38	Bracket	CNC9123	83	Guide	CNV6922
39	Frame	CNC9656	84	Roller	CNV6887
40	Belt	CNT1086	85	Spring	CBH2509
41	Gear	CNV6886	86	Spring	CBH2512
42	Gear	CNV6316	87	Spring	CBH2536
43	Gear	CNV6317	88	Collar	CNV6906
44	Gear	CNV6318			
45	Gear	CNV6319			

5. ELECTRICAL PARTS LIST

NOTES:

- Parts whose parts numbers are omitted are subject to being not supplied.
- The part numbers shown below indicate chip components.

Chip Resistor

RS1/○S○○○○J,RS1/○○S○○○○J

Chip Capacitor (except for CQS.....)

CKS....., CCS....., CSZS.....

====Circuit Symbol and No.====Part Name	Part No.	====Circuit Symbol and No.====Part Name	Part No.
A Unit Number : CWM8042(DEH-P840MP/XN/UC)		Q 951 Transistor	2SA1037K
: CWM8043(DEH-P8400MP/XN/UC)		Q 961 Transistor	2SC2412K
: CWM8044(DEH-P8450MP/XN/ES)		Q 962 Transistor	2SD1767
Unit Name : Tuner Amp Unit		Q 963 Transistor	IMD2A
		Q 971 Transistor	2SB808
MISCELLANEOUS		Q 972 Transistor	DTC114EK
IC 102 IC	HA12187FP	D 231 Diode	RB706F-40
IC 131 IC	PML009A	D 301 Diode	1SR139-400
IC 251 IC	BA3834F	D 501 Diode	DAN202U
IC 301 IC	PAL007A	D 502 Diode	HZS9L(A2)
IC 571 IC	PA2028A	D 503 Diode	1SS133
IC 601 IC (DEH-P840MP, P8400MP)	PD5741A	D 751 Diode	HZS9L(B1)
IC 601 IC (DEH-P8450MP)	PD5740A	D 811 Diode	HZS7L(B2)
IC 651 IC	S-80735ANDZI	D 812 Diode	1SS133
IC 811 IC	BA6288FS	D 813 Diode	1SS133
IC 871 IC	NJM2360M	D 833 Diode	DAN202U
Q 101 Transistor	2SA1037K	D 834 Diode	DAP202U
Q 102 Transistor	DTC124EK	D 835 Diode	DAN202U
Q 251 Transistor	2SA1037K	D 836 Diode	DAP202U
Q 252 Transistor	DTC144EK	D 837 Diode	DAN202U
Q 253 Transistor	2SC2412K	D 838 Diode	DAP202U
Q 301 Transistor	DTC124EK	D 839 Diode Network	DA204U
Q 351 Transistor	IMH3A	D 841 Diode	HZS6L(A2)
Q 352 Transistor	IMH3A	D 842 Diode	HZS9L(A1)
Q 353 Transistor	IMH3A	D 871 Diode	RB411D
Q 401 Transistor	2SC2412K	D 872 Diode	HZS11L(A1)
Q 501 Transistor	2SC2412K	D 901 Diode	HZS6L(B1)
Q 503 Transistor	IMD2A	D 902 Diode	1SR139-400
Q 651 Transistor	2SC2412K	D 911 Diode	HZS6L(B2)
Q 751 Transistor	IMD2A	D 921 Diode	HZS9L(B3)
Q 752 Transistor	2SD2396	D 931 Diode	HZS7L(C3)
Q 811 Transistor	2SD1760F5	D 932 Diode	HZS7L(A1)
Q 812 Transistor	IMD3A	D 941 Diode	1SR139-400
Q 831 Transistor	2SB808	D 951 Diode	DAN202U
Q 832 Transistor	DTC114EK	D 964 Diode	HZS11L(A1)
Q 833 Transistor	2SA1037K	D 981 Diode	1SR139-400
Q 834 Transistor	DTC114EK	D 982 Diode	1SR139-400
Q 835 Transistor	DTC114EK	D 983 Diode	1SR139-400
Q 836 Transistor	2SC2412K	ZNR 401 Surge Protector	DSP-201M-A21F
Q 837 Transistor	IMD2A	L 105 Ferri-Inductor	LAU2R2K
Q 871 Transistor	2SD1760F5	L 401 Inductor	LCTB4R7K2125
Q 872 Transistor	IMD2A	L 402 Inductor	LAU1R0K
Q 901 Transistor	2SD1760F5	L 403 Inductor	LAU100K
Q 902 Transistor	IMD2A	L 572 Ferri-Inductor	LAU101K
Q 911 Transistor	2SD1760F5	L 601 Inductor	LAU100K
Q 912 Transistor	IMD2A	L 701 Inductor	LAU100K
Q 921 Transistor	2SD2396	L 831 Inductor	LAU100K
Q 922 Transistor	2SB1238	L 872 Inductor	CTF1510
Q 923 Transistor	DTC114EK	L 951 Inductor	CTF1530
Q 931 Transistor	IMX1	L 971 Inductor	LAU100K
Q 941 Transistor	DTC114EK		

====Circuit Symbol and No.====Part Name	Part No.	====Circuit Symbol and No.====Part Name	Part No.
X 601 Radiator 10.00MHz	CSS1475	R 366	RS1/16S471J
IL 961 Lamp 14V 40mA	CEL1593	R 367	RS1/16S471J
VR 231 Semi-fixed 10kΩ(B)	CCP1229	R 368	RS1/16S471J
MIC 231 Microphone	CPM1011	R 369	RS1/16S0R0J
FM/AM Tuner Unit	CWE1563	R 370	RS1/16S0R0J
SP 601 Buzzer	CPV1050	R 371	RS1/16S0R0J
		R 372	RS1/16S0R0J
		R 373	RS1/16S0R0J
		R 374	RS1/16S0R0J
		R 401	RS1/16S272J
		R 402	RS1/16S272J
		R 403	RS1/16S162J
		R 404	RS1/16S162J
		R 405	RS1/16S0R0J
		R 406	RS1/16S0R0J
		R 407	RS1/16S473J
		R 408	RS1/16S473J
		R 409	RS1/16S681J
		R 410	RS1/16S681J
		R 412	RS1/16S681J
		R 413	RS1/16S103J
		R 414	RS1/16S681J
		R 415	RS1/16S681J
		R 416	RS1/16S681J
		R 417	RS1/16S393J
		R 418	RS1/16S473J
		R 419	RS1/16S472J
		R 420	RS1/16S473J
		R 421	RS1/16S473J
		R 422	RS1/16S473J
		R 423	RS1/16S222J
		R 424	RS1/16S222J
		R 501	RS1/16S103J
		R 502	RS1/16S473J
		R 503	RS1/16S223J
		R 504	RS1/16S223J
		R 505	RS1/16S102J
		R 571	RS1/16S103J
		R 572	RS1/16S103J
		R 601	RS1/16S472J
		R 607	RS1/16S682J
		R 608	RS1/16S102J
		R 609	RS1/16S0R0J
		R 611	RS1/16S104J
		R 612	RS1/16S0R0J
		R 613	RS1/16S104J
		R 614	RS1/16S104J
		R 615	RS1/16S104J
		R 621	RS1/16S0R0J
		R 625	RS1/16S473J
		R 626 (DEH-P8400MP)	RS1/16S104J
		R 627	RS1/16S104J
		R 628 (DEH-P840MP, P8450MP)	RS1/16S104J
		R 629	RS1/16S104J
		R 630	RS1/16S102J
		R 651	RS1/16S102J
		R 652	RS1/16S102J
		R 653	RS1/16S222J
		R 654	RS1/16S473J
		R 655	RS1/16S183J
		R 723	RS1/16S682J
		R 724	RS1/16S221J
		R 725	RS1/16S221J
		R 726	RS1/16S221J
		R 727	RS1/16S221J
		R 361	RS1/16S223J
		R 362	RS1/16S223J
		R 363	RS1/16S471J
		R 364	RS1/16S471J
		R 365	RS1/16S471J

DEH-P840MP,P840OMP,P8450MP

====Circuit Symbol and No.====Part Name	Part No.	====Circuit Symbol and No.====Part Name	Part No.
R 728	RS1/16S221J	CAPACITORS	
R 730	RS1/16S221J		
R 731	RS1/16S473J	C 112	CKSRYB104K16
R 732	RS1/16S682J	C 131	CEAL1R0M50
R 733	RS1/16S682J	C 132	CEAL1R0M50
		C 133	CEALR22M50
		C 134	CEALR22M50
R 751	RD1/4PU271J		
R 753	RD1/4PU221J		
R 811	RS1/16S102J	C 135	CEAL1R0M50
R 812	RS1/16S102J	C 136	CEAL1R0M50
R 813	RD1/4PU391J	C 137	CEAL1R0M50
		C 138	CEAL1R0M50
		C 139	CEJQ470M10
R 814	RAB4C102J		
R 831	RS1/16S102J		
R 832	RS1/16S472J	C 140	CKSRYB104K16
R 833	RS1/16S222J	C 141	CEALNP4R7M16
R 834	RS1/16S222J	C 142	CEALNP4R7M16
		C 145	CEALNP4R7M16
		C 146	CEALNP4R7M16
R 835	RS1/16S472J		
R 836	RS1/16S103J		
R 837	RS1/16S222J	C 147	CEALNP4R7M16
R 838	RS1/16S222J	C 148	CEALNP4R7M16
R 839	RS1/16S473J	C 149	CEALNP4R7M16
		C 150	CEALNP4R7M16
		C 157	CEAL100M16
R 840	RS1/16S104J		
R 841	RS1/16S222J		
R 842	RS1/16S222J	C 159	CCSQCH152J50
R 843	RS1/16S222J	C 160	CCSQCH152J50
R 844	RS1/16S222J	C 161	CCSQCH152J50
		C 162	CCSQCH152J50
		C 231	CEJQ100M16
R 845	RS1/16S103J		
R 846	RS1/16S104J		
R 847	RS1/16S104J	C 232	CEJQ220M25
R 848	RS1/16S222J	C 233	CEAL100M16
R 852	RS1/16S332J	C 234	CKSRYB474K10
		C 235	CKSRYB474K10
		C 251	CKSRYB104K16
R 872	RD1/4PU302J		
R 873	RD1/4PU302J		
R 874	RS1/16S0R0J	C 252	CKSRYB104K16
R 875	RS1/16S391J	C 253	CKSRYB103K50
R 876	RS1/16S121J	C 254	CEJQ1R0M50
		C 255	CKSRYB104K16
		C 256	CKSRYB104K16
R 877	RS1/16S1R0J		
R 878	RS1/16S331J		
R 879	RS1/16S331J	C 257	CKSRYB224K10
R 901	RS1/16S223J	C 258	CKSRYB104K16
R 902	RS1/16S821J	C 301	CKSRYB474K10
		C 302	CKSRYB474K10
		C 303	CKSRYB474K10
R 903	RS1/16S821J		
R 904	RS1/16S0R0J		
R 913	RS1/16S681J	C 304	CKSRYB474K10
R 914	RS1/16S681J	C 305	CKSRYB474K10
R 921	RD1/4PU221J	C 306	CKSRYB474K10
		C 307	CKSRYB474K10
		C 308	CKSRYB474K10
R 922	RS1/16S122J		
R 924	RD1/4PU272J		
R 925	RS1/16S223J	C 309	CEHAR330M10
R 931	RS1/16S104J	C 310	CCH1433
R 932	RS1/16S473J	C 311	CKSRYB104K16
		C 312	CEHAR100M16
		C 313	CKSQYB225K10
R 933	RS1/16S103J		
R 934	RS1/16S473J		
R 935	RS1/16S472J	C 314	CKSQYB225K10
R 941	RS1/16S103J	C 351	CEAL100M16
R 951	RS1/16S102J	C 352	CEAL100M16
		C 353	CEAL100M16
		C 354	CEAL100M16
R 952	RS1/16S472J		
R 953	RS1/16S472J		
R 954	RS1/16S153J	C 355	CEAL100M16
R 961	RS1/16S1R0J	C 356	CEAL100M16
R 962	RS1/16S103J	C 357	CKSRYB222K50
		C 358	CKSRYB222K50
		C 359	CKSRYB222K50
R 963	RS1/16S682J		
R 964	RD1/4PU391J		
R 965	RS1/16S1R0J	C 360	CKSRYB222K50
R 971	RS1/16S472J	C 361	CKSRYB222K50
R 972	RS1/16S102J	C 362	CKSRYB222K50
		C 401	CKSRYB183K50
R 973	RS1/16S472J	C 402	CKSRYB183K50

3300μF/16V

====Circuit Symbol and No.====Part Name	Part No.
C 408	CKSRYP473K50
C 409	CKSRYP103K50
C 411	CEJQ101M10
C 413	CKSRYP223K50
C 414	CKSRYP472K50
C 415	CKSRYP223K50
C 416	CEJQ220M10
C 501	CEJQ220M16
C 571	CKSRYP105K10
C 572	CKSRYP105K10
C 573	CKSRYP105K10
C 574	CKSRYP105K10
C 575	CKSRYP105K10
C 576	CKSRYP105K10
C 580	CEAL4R7M35
C 582	CEJQ101M16
C 583	CASQA3R3M16
C 585	CKSYB684K25
C 586	CEAL100M16
C 587	CKSQYB225K10
C 588	CEJQ330M25
C 589	CEJQ330M25
C 601	CEAL4R7M35
C 602	CKSRYP103K50
C 603	CCSRCH180J50
C 604	CCSRCH101J50
C 605	CCSRCH220J50
C 652	CKSRYP104K16
C 653	CKSRYP105K10
C 702	CCH1331
C 751	CKSRYP102K50
C 752	CEJQ101M16
C 753	CKSRYP473K50
C 811	CCSRCH101J50
C 812	CEJQ220M10
C 813	CKSRYP104K16
C 814	CKSRYP102K50
C 815	CKSRYP102K50
C 816	CCSRCH101J50
C 833	CKSRYP104K16
C 837	CKSRYP103K50
C 872	CCG1111
C 873	CEJQ100M50
C 874	CEJQ330M25
C 875	CKSRYP103K50
C 876	CCSRCH331J50
C 877	CEJQ470M16
C 878	CKSRYP104K16
C 879	CKSRYP104K16
C 880	CEJQ101M10
C 901	CEJQ470M10
C 902	CKSRYP103K50
C 903	CKSRYP472K50
C 904	CCH1331
C 905	CCH1331
C 911	CEJQ470M10
C 912	CKSRYP472K50
C 921	CEJQ221M10
C 922	CKSRYP103K50
C 923	CEJQ101M16
C 931	CKSRYP104K25
C 941	CKSRYP105K10
C 970	CKSRYP473K50
C 972	CCSRCH101J50

470µF/16V

4.7µF

470µF/16V
470µF/16V

====Circuit Symbol and No.====Part Name	Part No.
-----------------------------------------	----------

B Unit Number : CWM8051(DEH-P840MP/XN/UC)
 : CWM8052(DEH-P8400MP/XN/UC)
 (DEH-P8450MP/XN/ES)
 Unit Name : Keyboard Unit(OEL)

MISCELLANEOUS

IC 1801	IC	PD5745A
IC 1802	IC (DEH-P840MP)	PD8091A
IC 1802	IC (DEH-P8400MP, P8450MP)	PD8092A
IC 1805	IC	S-818A33AUC-BGN
IC 1806	IC	TC7SET08FU
Q 1806	Transistor	2SC4617
Q 1807	Transistor	2SD1664
D 1803	Diode	1SS355
D 1804	Diode	DAN202U
D 1805	Diode	DAP202U
L 1801	Inductor	CTF1530
L 1803	Inductor	CTF1530
TH 1901	Thermistor	CCX1037
X 1801	Radiator 10.0MHz	CSS1577
S 1801	Switch	CSG1107
S 1802	Switch	CSG1107
S 1803	Switch	CSG1107
S 1804	Switch	CSG1107
VR 1801	Semi-fixed 15kΩ(B) OEL Unit	CCP1230 MXS8018

RESISTORS

R 1805	RS1/16S0R0J
R 1807	RS1/16S222J
R 1808	RS1/16S222J
R 1809	RS1/16S820J
R 1815	RS1/16S222J
R 1816	RS1/16S0R0J
R 1817	RS1/16S154J
R 1818	RS1/16S473J
R 1819	RS1/16S473J
R 1820	RAB4C102J
R 1821	RS1/16S473J
R 1822	RS1/16S333J
R 1823	RS1/16S222J
R 1824	RS1/16S682J
R 1825	RS1/16S393J
R 1826	RS1/16S0R0J
R 1827	RS1/16S683J
R 1828	RS1/16S0R0J
R 1830	RS1/16S392J
R 1831	RAB4C101J
R 1832	RS1/16S473J
R 1833	RS1/16S473J
R 1834	RS1/16S102J
R 1835	RS1/16S102J
R 1836	RS1/16S101J
R 1837	RAB4C101J
R 1838	RS1/16S101J
R 1839	RAB4C101J
R 1840	RAB4C101J
R 1841	RAB4C101J
R 1842	RAB4C101J
R 1843	RAB4C101J
R 1844	RAB4C101J
R 1845	RAB4C101J
R 1846	RAB4C101J
R 1847	RS1/16S682J
R 1848	RS1/16S473J

DEH-P840MP,P840OMP,P8450MP

====Circuit Symbol and No.====Part Name	Part No.
CAPACITORS	
C 1805	CKSRYP102K50
C 1806	CSZSR4R7M10
C 1807	CSZSR4R7M10
C 1808	CKSRYP103K50
C 1809	CKSRYP104K25
C 1811	CKSRYP473K50
C 1812	CKSRYP103K50
C 1813	CSZSR4R7M10
C 1814	CKSRYP104K16
C 1815	CKSRYP104K25
C 1816	CKSRYP104K25
C 1817	CKSRYP104K25
C 1819	CKSRYP104K16
C 1820	CKSRYP103K50
C 1821	CKSRYP103K50

C Unit Number : CWM8056
 Unit Name : Keyboard Unit(LCD)

MISCELLANEOUS

IC 1901	IC	RS-140
IC 1902	IC	PD6340A
D 1903	LED	NSSW440-9159
D 1905	LED	CL190UBX
D 1906	LED	CL190UBX
D 1907	LED	CL190UBX
D 1908	LED	CL190UBX
D 1909	LED	CL190UBX
D 1910	LED	CL190UBX
D 1911	LED	CL190UBX
L 1902	Inductor	CTF1530
X 1901	Ceramic Resonator 4.97MHz	CSS1422
S 1901	Switch	CSG1110
S 1902	Encoder	CSD1042
S 1903	Switch	CSG1110
S 1904	Push Switch	CSG1111
S 1905	Push Switch	CSG1111
S 1906	Push Switch	CSG1111
S 1907	Push Switch	CSG1111
S 1908	Switch	CSG1107
S 1909	Switch	CSG1107
S 1910	Switch	CSG1107
S 1911	Push Switch	CSG1112
S 1912	Switch	CSG1107
S 1913	Switch	CSG1107
S 1914	Switch	CSG1107
S 1915	Switch	CSG1107
S 1916	Switch	CSG1107
S 1917	Switch	CSG1107
S 1918	Push Switch	CSG1112
S 1919	Push Switch	CSG1112
LCD1901	LCD	CAW1704

RESISTORS

R 1901	RS1/16S222J
R 1902	RS1/16S222J
R 1903	RS1/16S104J
R 1904	RS1/16S103J
R 1905	RS1/16S121J
R 1906	RS1/16S2R2J
R 1907	RS1/16S101J
R 1908	RS1/16S101J
R 1910	RS1/16S0R0J
R 1918	RS1/16S560J

====Circuit Symbol and No.====Part Name	Part No.
R 1920	RS1/16S560J
R 1922	RS1/16S560J
R 1924	RS1/16S271J
R 1926	RS1/16S271J
R 1928	RS1/16S331J
R 1929	RS1/16S331J
R 1930	RS1/16S271J
CAPACITORS	
C 1901	CKSRYP104K25
C 1903	CSZSR4R7M10
C 1904	CKSRYP104K16
C 1905	CCSRCH101J50
C 1908	CKSRYP104K16
C 1909	CKSRYP104K16
C 1910	CKSRYP104K16
C 1911	CKSRYP104K16
C 1912	CKSRYP104K16
C 1913	CKSRYP104K16
C 1914	CKSRYP104K16

E Unit Number :
 Unit Name : Switch PCB

MISCELLANEOUS

S 951	Switch(OPEN)	CSN1051
S 952	Spring Switch(CLOSE)	CSN1052
S 953	Switch(EJECT)	CSN1058

D Unit Number : CWX2618
 Unit Name : CD Core Unit(S9MP3)

MISCELLANEOUS

IC 201	IC	UPD63760GJ
IC 202	IC	MSM51V4265EP-70TS
IC 203	IC	BA033SFP
IC 301	IC	BA5996FM
IC 501	IC	UPD61002GC
IC 502	IC	BA25BC0WFP
IC 701	IC	PE5269A
IC 702	IC	TC74VHCT08AFT
IC 703	IC	S-818A33AUC-BGN
IC 704	IC	PD9023A
Q 101	Transistor	2SB1132
Q 601	Transistor	DTC323TK
Q 602	Transistor	DTC323TK
Q 603	Transistor	2SB709A
Q 701	Transistor	UN2111
D 101	Diode	1SS355
D 201	Diode	1SR154-400
D 202	Diode	1SR154-400
D 203	Diode	1SR154-400
D 501	Diode	1SR154-400
D 502	Diode	1SR154-400
D 503	Diode	1SR154-400
D 504	Diode	1SR154-400
D 601	Chip Diode	MA151WA
L 201	Inductor	CTF1546
L 202	Inductor	CTF1546
L 204	Inductor	CTF1546
L 701	Inductor	CTF1546
L 702	Inductor	LCYBR22J1608
TH 701	Thermistor	CCX1037
X 201	Ceramic Resonator 16.93MHz	CSS1569
X 202	Ceramic Resonator 24.57MHz	CSS1570
X 701	Ceramic Resonator 16.00MHz	CSS1576
S 901	Spring Switch (HOME)	CSN1051
S 902	Spring Switch (CLAMP)	CSN1052

====Circuit Symbol and No.====Part Name	Part No.	====Circuit Symbol and No.====Part Name	Part No.
S 903 Spring Switch (DSCSNS)	CSN1051	R 605	RS1/16SS103J
S 904 Spring Switch (12EJ)	CSN1052	R 701	RS1/16SS0R0J
S 905 Spring Switch (8EJ)	CSN1051	R 707	RS1/16SS0R0J
		R 708	RS1/16SS102J
		R 709	RS1/16SS102J
RESISTORS			
R 101	RS1/10S1R5J	R 710	RS1/16SS102J
R 102	RS1/10S1R5J	R 711	RS1/16SS102J
R 103	RS1/10S1R5J	R 712	RS1/16SS102J
R 104	RS1/10S1R5J	R 713	RS1/16SS102J
R 105	RS1/10S1R5J	R 714	RS1/16SS473J
R 201	RS1/16SS102J	R 715	RAB4CQ221J
R 202	RS1/16SS333J	R 716	RAB4CQ221J
R 203	RS1/16SS333J	R 717	RAB4CQ221J
R 204	RS1/16SS333J	R 718	RAB4CQ221J
R 206	RS1/16SS0R0J	R 719	RAB4CQ221J
R 208	RS1/16SS0R0J	R 720	RS1/16SS471J
R 210	RS1/16SS0R0J	R 721	RS1/16SS471J
R 212	RS1/16SS221J	R 722	RAB4CQ221J
R 213	RS1/16SS1002D	R 723	RS1/16SS102J
R 214	RS1/16SS1002D	R 724	RN1/16SE1302D
R 215	RS1/16SS1002D	R 725	RS1/16SS222J
R 216	RS1/16SS1002D	R 726	RS1/16SS103J
R 217	RS1/16SS1002D	R 727	RS1/16SS473J
R 218	RS1/16SS1002D	R 728	RS1/16SS473J
R 219	RS1/16SS1002D	R 729	RS1/16SS223J
R 220	RS1/16SS1002D	R 730	RS1/16SS473J
R 221	RS1/16SS103J	R 731	RS1/16SS104J
R 222	RS1/16SS103J	R 732	RS1/16SS104J
R 223	RS1/16SS103J	R 733	RS1/16SS104J
R 224	RS1/16SS103J	R 734	RS1/16SS472J
R 225	RS1/16SS103J	R 735	RS1/16SS473J
R 226	RS1/16SS393J	R 737	RAB4CQ473J
R 227	RS1/16SS103J	R 739	RAB4CQ473J
R 228	RS1/16SS182J	R 740	RS1/16SS473J
R 229	RS1/16SS103J	R 741	RS1/16SS104J
R 233	RS1/16SS183J	R 742	RS1/16SS104J
R 237	RS1/16SS104J	R 745	RS1/16SS473J
R 238	RS1/16SS473J	R 746	RS1/16SS104J
R 301	RS1/16SS183J	R 747	RS1/16SS104J
R 302	RS1/16SS822J	R 748	RS1/16SS104J
R 303	RS1/16SS0R0J	R 750	RS1/16SS473J
R 304	RS1/16SS183J	R 801	RS1/16SS104J
R 305	RS1/16SS822J	R 802	RS1/16SS473J
R 306	RS1/16SS0R0J	R 803	RS1/16SS273J
R 307	RS1/16SS183J	R 901	RS1/16SS221J
R 308	RS1/16SS822J	R 902	RS1/16SS221J
R 309	RS1/16SS183J	R 903	RS1/16SS221J
R 310	RS1/16SS822J	R 904	RS1/16SS221J
R 311	RS1/16SS0R0J	R 905	RS1/16SS221J
R 501	RS1/16SS221J	R 906	RS1/16SS221J
R 502	RS1/16SS221J	CAPACITORS	
R 503	RS1/16SS221J	C 101	CKSSYB104K10
R 504	RAB4CQ223J	C 102	CKSSYB104K10
R 505	RAB4CQ223J	C 103	CEV101M16
R 506	RAB4CQ223J	C 104	CEV101M4
R 507	RS1/16SS223J	C 105	CKSSYB104K10
R 508	RS1/16SS223J		
R 509	RS1/16SS102J	C 106	CKSRYB102K50
R 510	RS1/16SS223J	C 108	CKSSYB104K10
R 511	RS1/16SS223J	C 109	CEV100M16
		C 201	CKSSYB471K50
R 512	RS1/16SS223J	C 202	CKSSYB104K10
R 601	RS1/16S101J		
R 602	RS1/16S101J	C 203	CKSSYB104K10
R 603	RS1/16S223J	C 204	CEV220M6R3
R 604	RS1/16S223J	C 205	CKSSYB103K16
		C 206	CKSSYB103K16
		C 207	CEV221M4

DEH-P840MP,P840OMP,P8450MP

====Circuit Symbol and No.====Part Name	Part No.
C 208	CKSSYB104K10
C 209	CKSSYB104K10
C 210	CKSSYB104K10
C 211	CKSSYB104K10
C 216	CKSSYB332K50
C 217	CKSSYB104K10
C 218	CKSSYB223K16
C 219	CKSSYB104K10
C 220	CKSSYB103K16
C 221	CKSSYB104K10
C 222	CCSSCH270J50
C 223	CCSSCJ3R0C50
C 224	CKSSYB104K10
C 225	CKSSYB103K16
C 226	CCSSCH680J50
C 227	CCSSCH470J50
C 228	CKSSYB682K25
C 230	CKSSYB104K10
C 232	CKSSYB104K10
C 233 47μF/6.3V	CCH1436
C 234	CEV221M4
C 235	CKSRYB224K16
C 237	CKSSYB104K10
C 238	CKSSYB104K10
C 240	CCSSCH100D50
C 301	CKSSYB331K50
C 302	CKSSYB331K50
C 303	CKSSYB472K25
C 304	CKSSYB472K25
C 305	CEV101M16
C 306	CKSRYB224K16
C 501	CKSSYB104K10
C 502	CKSSYB471K50
C 503	CKSSYB104K10
C 504 47μF/6.3V	CCH1436
C 505	CKSRYB224K16
C 506	CKSSYB104K10
C 508	CKSSYB104K10
C 509	CKSSYB104K10
C 510	CKSSYB104K10
C 511	CKSSYB104K10
C 601	CCSRCH102J50
C 602	CCSRCH102J50
C 603	CSZS4R7M10
C 604	CSZS4R7M10
C 701	CKSSYB104K10
C 702	CKSSYB471K50
C 703	CKSSYB103K16
C 704	CEV1R0M50
C 705	CKSSYB104K10
C 706	CKSSYB471K50
C 707	CKSSYB104K10
C 708	CKSSYB104K10
C 709	CKSSYB103K16
C 710	CKSSYB104K10
C 711 10μF/10V	CCH1349
C 712	CKSRYB224K16
C 713	CKSSYB104K10
C 714	CKSSYB104K10
C 715	CKSSYB103K16
C 716	CKSSYB103K16
C 901	CKSSYB104K10
C 903	CCSRCH101J50

====Circuit Symbol and No.====Part Name	Part No.
Miscellaneous Parts List	
M 1	Pickup Unit(Service)(P9MP3) CXX1550
M 2	Motor Unit(SPINDLE) CXB6007
M 951	Motor Unit(LOADING/CARRIAGE) CXB5903
	Motor Unit(AUTOMATIC FLAP) CXB8939