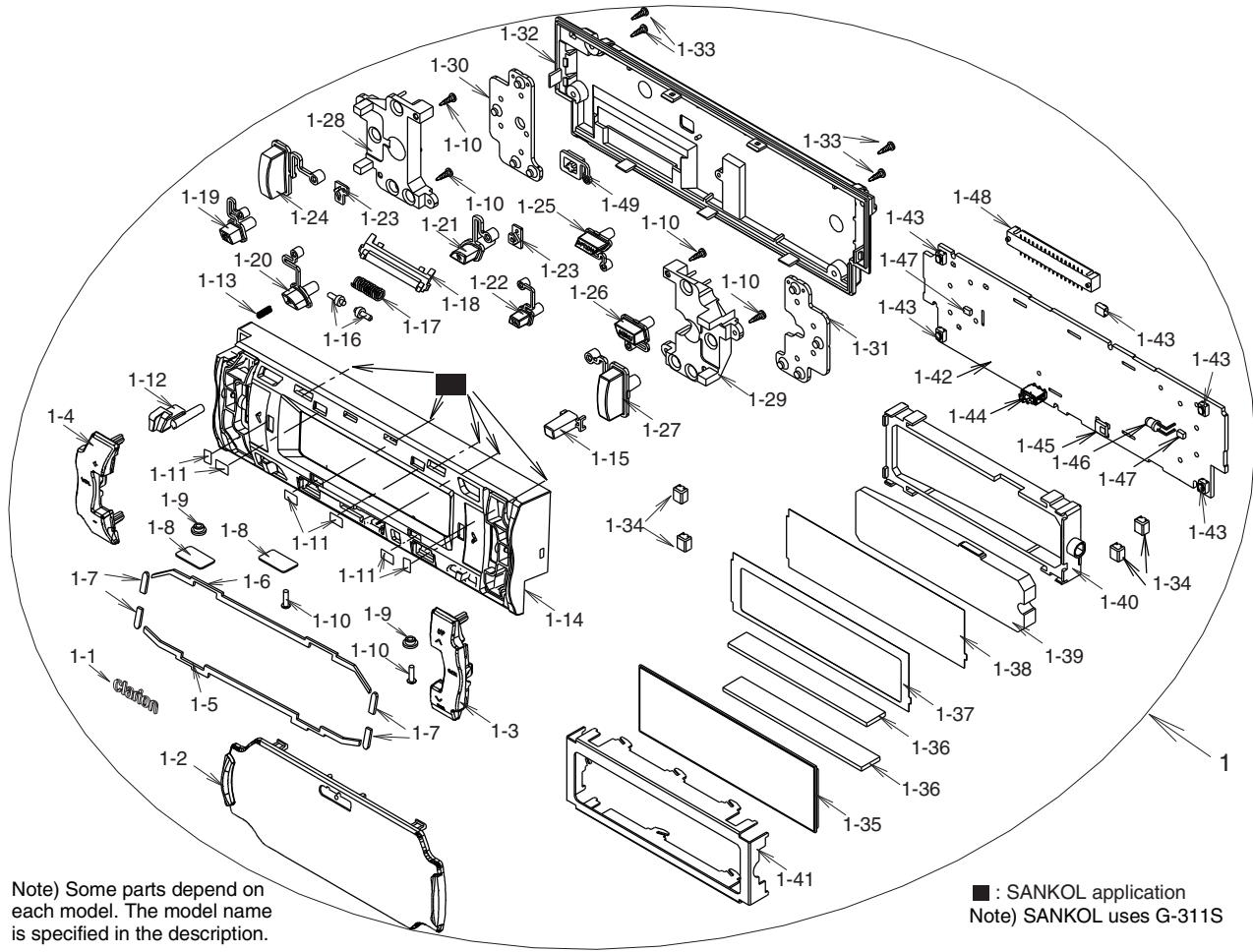


# EXPLODED VIEW / PARTS LIST

DCP section



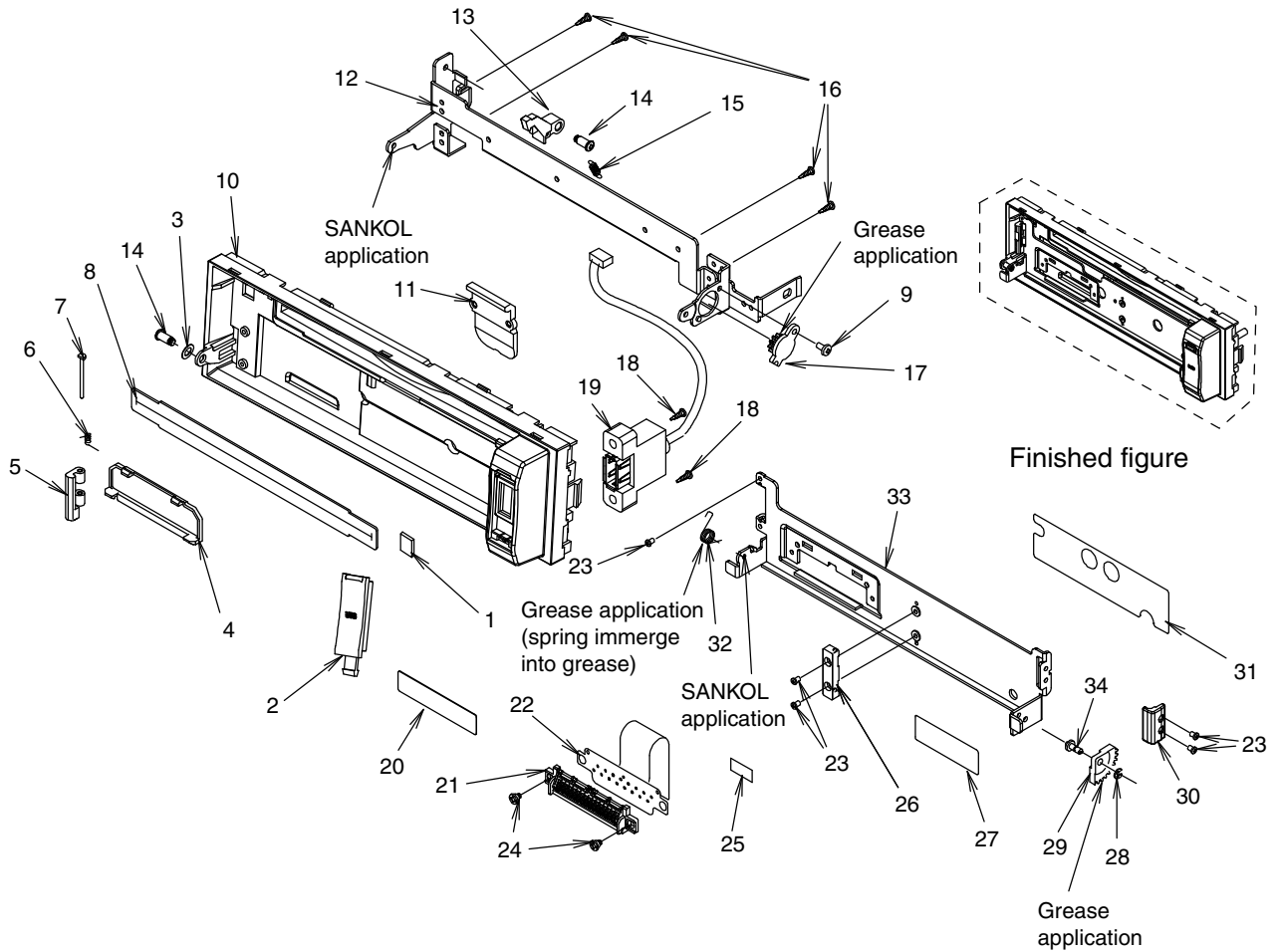
Note) Some parts depend on each model. The model name is specified in the description.

■ : SANKOL application  
Note) SANKOL uses G-311S

NO	PART NO	DESCRIPTION	Q'TY	NO	PART NO	DESCRIPTION	Q'TY
1	DCP-587-600	DCP ASSY(PE-2902B-A)	1	1-23	335-7985-01	INDICATOR-A	2
	DCP-587-800	DCP ASSY(PE-2902K-A/B)	1	1-24	382-8175-00	BUTTON	1
1-1	335-7724-00	BRAND	1	1-25	382-8176-00	BUTTON	1
1-2	373-1125-05	SEEK PANEL(PE-2902B-A)	1	1-26	382-8179-00	BUTTON	1
	373-1125-09	SEEK PANEL(PE-2902K-A/B)	1	1-27	382-8177-00	BUTTON	1
1-3	382-8178-00	BUTTON	1	1-28	335-7997-00	ILLUMI PLATE	1
1-4	382-8171-00	BUTTON	1	1-29	335-7996-00	ILLUMI PLATE	1
1-5	347-8246-00	LEATHER SHEET	1	1-30	345-5979-00	RUBBER KEY	1
1-6	347-8245-00	LEATHER SHEET	1	1-31	345-5980-00	RUBBER KEY	1
1-7	347-8208-00	LEATHER SHEET	4	1-32	335-7998-00	REAR CVR	1
1-8	347-8210-00	TRIM CVR	2	1-33	716-0872-62	SCREW(M1.7x8)	4
1-9	335-8004-00	ROLLER	2	1-34	345-5983-00	RUBBER SPACER	4
1-10	716-0872-51	SCREW(M1.7x6)	6	1-35	379-1382-51	INDICATOR(LCD)	1
1-11	347-8251-00	FILM	6	1-36	345-5981-00	RUBBER CONNECTOR	2
1-12	382-8170-00	REL BUTTON	1	1-37	347-8152-00	BLACK FILM	1
1-13	750-6720-00	SPRING	1	1-38	347-8153-00	FILM	1
1-14	370-6262-01	ESCUTCHEON(PE-2902B-A)	1	1-39	335-7999-00	ILLUMI PLATE	1
	370-6262-00	ESCUTCHEON(PE-2902K-A/B)	1	1-40	335-8000-00	LCD HOLDER	1
1-15	335-7984-00	IR FILTER	1	1-41	331-4378-00	LCD CVR	1
1-16	335-7989-00	SPRING CAP	2	1-42	-----	SWITCH PWB	1
1-17	750-6856-00	SPRING	1	1-43	013-6524-50	SWITCH	5
1-18	335-7992-00	SPRING CVR	1	1-44	013-7419-00	SWITCH	1
1-19	382-8172-00	BUTTON	1	1-45	060-4017-90	IR RECEIVER	1
1-20	382-8173-00	BUTTON	1	1-46	001-7046-01	DIODE	1
1-21	382-8180-00	BUTTON	1	1-47	001-7040-91	LED	2
1-22	382-8174-01	BUTTON	1	1-48	076-0647-00	PLUG	1
				1-49	382-8343-00	BUTTON	1

DXZ575USB/DXZ576USB

## Inner Escutcheon section

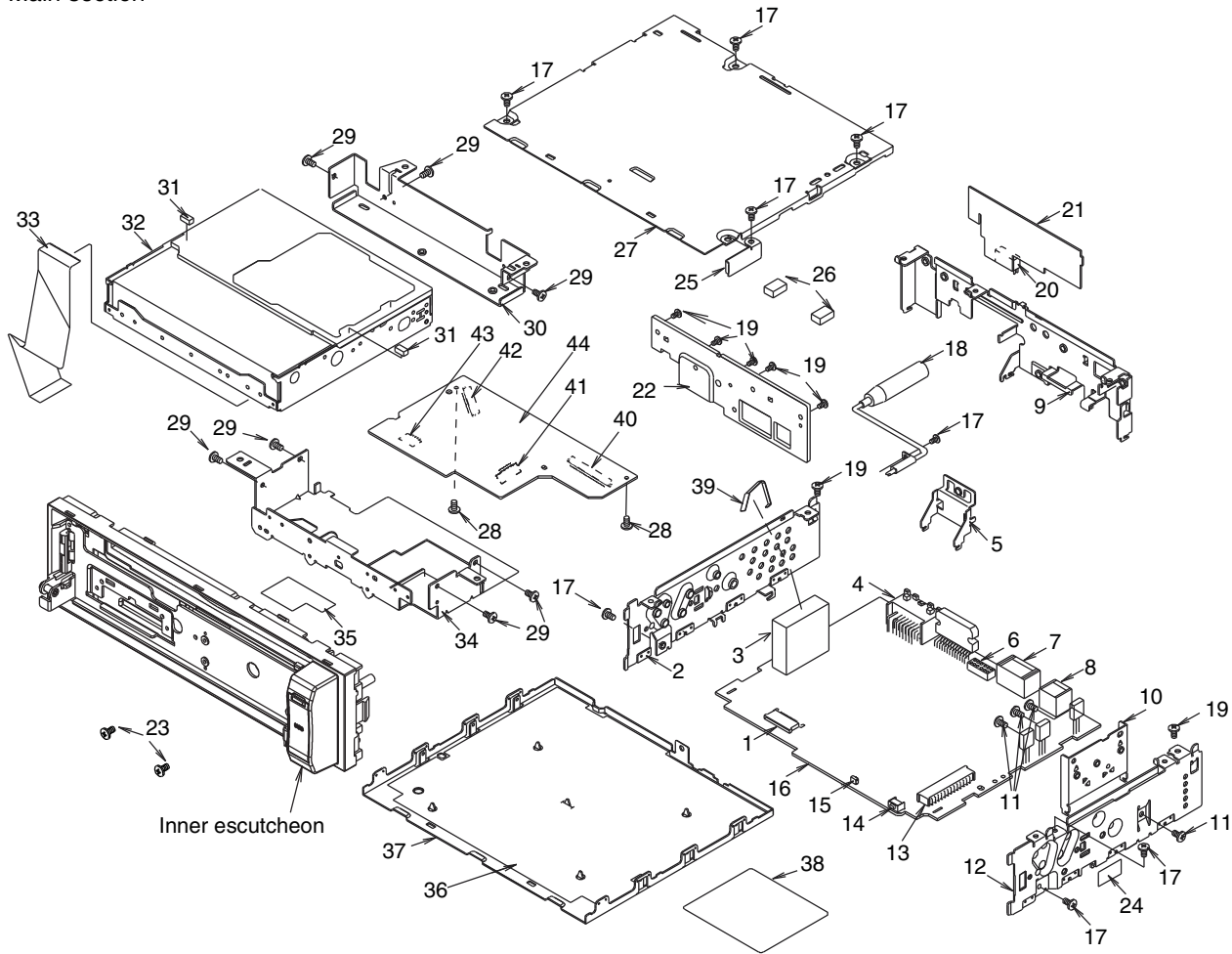


Note) SANKOL uses CFD-409Z, Grease uses G-311S.

NO.	PART NO.	DESCRIPTION	Q'TY
1	345-6048-00	CUSHION	1
2	345-5982-00	USB-CAP	1
3	347-8232-00	SHADE	1
4	335-6499-00	CN-CVR	1
5	335-6501-01	HOOK DCP	1
6	750-3454-00	SPRING	1
7	341-1764-00	SHAFT	1
8	346-0097-00	LEATHER SHEET	1
9	780-2004-51	SCREW(M2 x 4)	1
10	370-6263-00	INNER-ES	1
11	335-6886-00	ILLUMI PLATE	1
12	331-4380-00	FRONT PLATE	1
13	335-7369-01	HOOK	1
14	716-3546-51	SCREW(M2x0.4)	2
15	750-3341-00	SPRING	1
16	716-0872-51	SCREW(M1.7x6)	4
17	613-0730-00	GEAR DAMPER	1

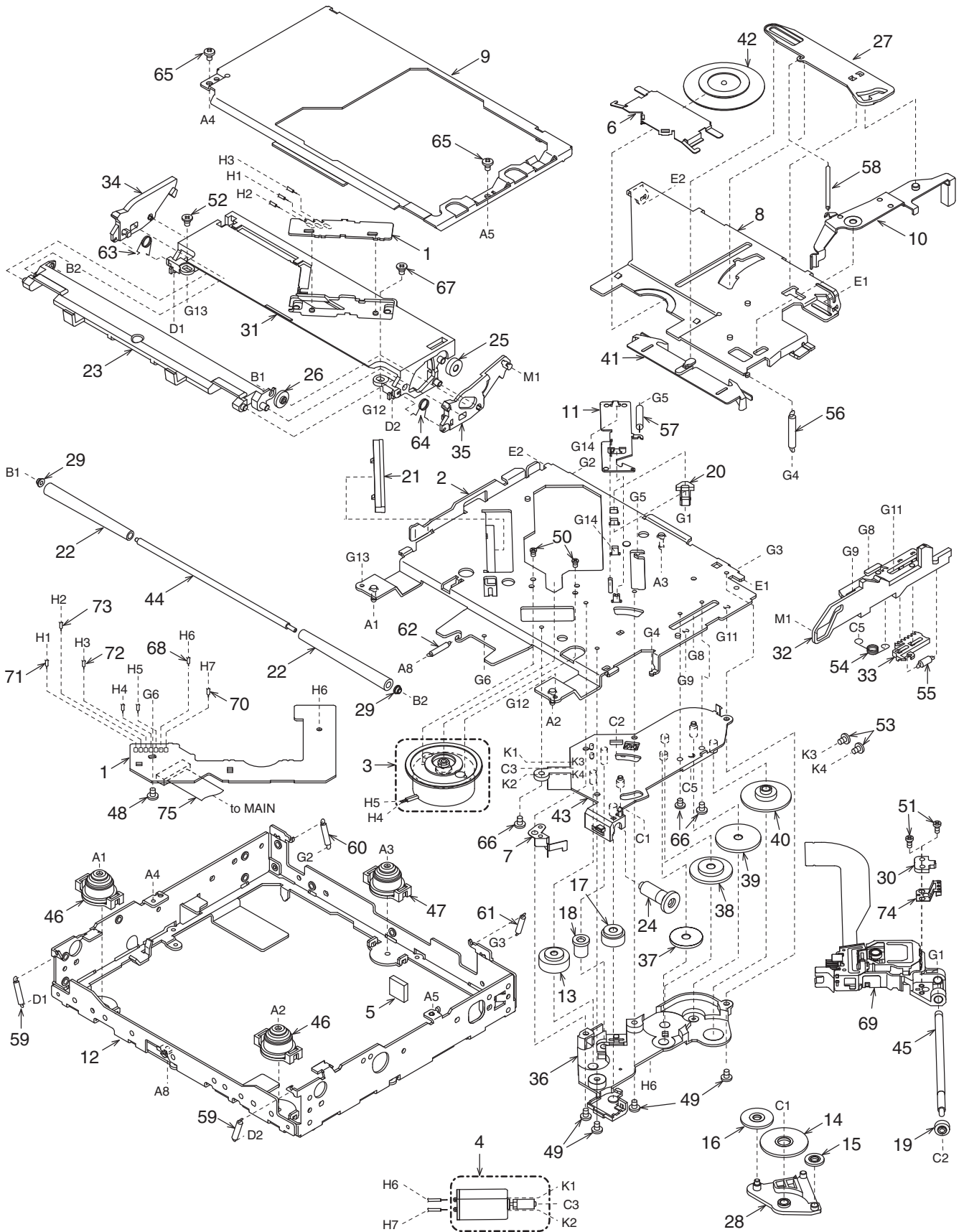
NO.	PART NO.	DESCRIPTION	Q'TY
18	716-0778-52	SCREW(M2x8)	2
19	855-0612-50	USB CABLE	1
20	347-7008-00	FPC SUPPORT	1
21	074-1278-01	OUTLET SOCKET(16P)	1
22	039-1862-01	INNER ES FPC (WITHOUT COMPONENT)	1
23	738-1722-1H	PRECISION SCREW(M1.7x2.2)	5
24	716-3444-50	SCREW(M1.7)	2
25	347-6356-00	DOUBLE FACE	1
26	335-6502-00	SLIDER	1
27	291-0092-00	STICKER	1
28	743-1500-10	E-RING	1
29	613-0684-00	FAN GEAR	1
30	335-8001-00	HOOK	1
31	290-0168-00	LABEL	1
32	750-3342-21	SPRING	1
33	331-4379-00	DCP HOLDER	1
34	341-1830-00	SHAFT	1

Main section



NO.	PART NO.	DESCRIPTION	Q'TY	NO.	PART NO.	DESCRIPTION	Q'TY
1	074-2244-68	OUTLET SOCKET	1	24	347-7580-10	SHADE	1
2	305-0336-01	SIDE-CVR(L)	1	25	331-4073-00	STOPPER	1
3	880-2091E	TUNER	1	26	347-7581-10	CUSHION	2
4	074-1214-50	OUTLET SOCKET(16P)	1	27	303-0472-07	UPPER CASE	1
5	331-3954-00	IC-HOLDER	1	28	716-1670-01	SCREW(M2x4)	2
6	076-0368-16	PLUG(16P)	1	29	714-2603-8B	MACHINE SCREW(M2.6 x 3)	7
7	076-6003-18	PLUG(18P)	1	30	331-4376-00	MECH-BRKT(R)	1
8	074-1194-00	OUTLET SOCKET(Ce-NET)	1	31	347-6821-00	SPCER FILM	2
9	307-0723-01	REAR-CVR	1	32	929-5016-80	CD-MECH MODULE	1
10	313-1924-00	HEAT SINK	1	33	816-4026-50	FLAT WIRE	1
11	714-3005-8B	MACHINE SCREW(M3 x 5)	4	34	331-4367-01	MECH BRKT(F)	1
12	305-0337-00	SIDE-CVR(R)	1	35	347-8250-00	DOUBLE FACE	1
13	074-1138-79	OUTLET SOCKET(20P)	1	36	347-7578-10	INSULATOR	1
14	013-6103-00	TACT SWITCH	1	37	304-0483-00	LOWER-CVR	1
15	001-7062-90	DIODE	1	38	276-0173-00	SETPLATE(PE-2902B-A)	1
16	-----	MAIN PWB	1		276-0245-00	SETPLATE(PE-2902K-A)	1
17	731-3006-8B	TAPTIGHT(M3 x 6)	8		276-0246-00	SETPLATE(PE-2902K-B)	1
18	092-2215-50	ANT-RECEPT	1	39	331-4312-01	EARTH PLATE	1
19	714-3006-8B	MACHINE SCREW(M3 x 6)	7	40	074-1228-79	OUTLET SOCKET(29P)	1
20	074-0898-16	OUTLET SOCKET(16P)	1	41	074-1138-60	OUTLET SOCKET(10P)	1
21	-----	D/D PWB	1	42	074-1138-65	OUTLET SOCKET(15P)	1
22	313-1923-00	HEAT SINK	1	43	076-0478-55	OUTLET SOCKET(5P)	1
23	780-2607-52	SCREW(M2.6 x 7)	2	44	-----	MECH PWB	1

CD mechanism section: 929-5016-80



NO.	PART NO.	DESCRIPTION	Q'TY	NO.	PART NO.	DESCRIPTION	Q'TY
1	-----	SENSOR PWB	1	38	621-1749-20	POWER GEAR B	1
2	966-1743-21	DRIVE-PLT-ASSY	1	39	621-1750-20	POWER GEAR C	1
3	SMA-182-100	SPINDLE MOTOR-ASSY	1	40	621-1751-20	POWER GEAR D	1
4	SMA-197-100	SLED MOTOR-ASSY	1	41	621-1752-20	DISC STOPPER	1
5	345-5476-20	CUSHION RUBBER	1	42	621-1753-20	CLAMPER RING	1
6	620-1023-23	CLAMPER PLATE	1	43	621-1754-20	GEAR BASE	1
7	620-1026-21	SPRING PLATE	1	44	622-1571-21	ROLLER SHAFT	1
8	620-1596-23	CLAMPER LINK	1	45	624-0020-00	LEAD SCREW	1
9	620-1598-22	UPPER CHASSIS	1	46	629-0086-20	DAMPER F	2
10	620-1752-20	SENSOR ARM	1	47	629-0087-20	DAMPER R	1
11	620-1753-20	ID-LOCK PLATE	1	48	716-1507-01	SCREW(M2x3)	1
12	620-1766-20	LOWER CHASSIS	1	49	716-1670-01	SCREW(M2x4)	4
13	621-0608-21	SECOND GEAR	1	50	716-1733-01	SCREW(M1.7x2.3)	2
14	621-0609-20	BASE GEAR	1	51	716-3469-01	SCREW(1.7x4)	2
15	621-0610-20	IDLE GEAR A	1	52	716-3473-01	SCREW(M2x3)	1
16	621-0611-20	IDLE GEAR B	1	53	716-3551-00	SCREW(M1.4x2.5)	2
17	621-0612-21	ROLLER GEAR A	1	54	750-3467-21	SHIFT SPRING	1
18	621-0620-20	THREAD GEAR A	1	55	750-3468-20	RACK SPRING	1
19	621-0621-20	THREAD GEAR B	1	56	750-3469-20	CLAMPER SPRING	1
20	621-0623-23	LS-HOLDER	1	57	750-3470-20	ID-LOCK SPRING	1
21	621-0624-22	GUIDE RAIL	1	58	750-3471-20	SENSOR SPRING	1
22	621-0711-20	LOADING ROLLER	2	59	750-3472-21	DR-SPRING F	2
23	621-0718-21	ROLLER GUIDE	1	60	750-3473-20	DR-SPRING RA	1
24	621-0719-20	ROLLER GEAR	1	61	750-3474-20	DR-SPRING RB	1
25	621-0720-20	ROLLER GEAR C	1	62	750-3475-21	DR-SPRING C	1
26	621-0721-20	ROLLER GEAR D	1	63	750-6797-20	ROLLER SPRING L	1
27	621-0728-20	STOPPER LINK	1	64	750-6798-20	ROLLER SPRING R	1
28	621-1719-20	IDLE CASE	1	65	714-2003-8B	SCREW(M2x3)	2
29	621-1726-20	ROLLER SLEEVE	2	66	780-2025-00	SCREW(M2x2.5)	3
30	621-1729-20	SH-BASE	1	67	781-1730-00	SCREW(M1.7x3)	1
31	621-1742-20	UPPER GUIDE	1	68	803-4906-60	VINYL-COAT-WIRE(ORG)	1
32	621-1743-20	SHIFT LEVER	1	69	969-0071-30	PICKUP-ASSY	1
33	621-1744-20	RACK	1	70	816-2590-00	SPECIAL LEAD(GRN)	1
34	621-1745-20	LOCK ARM L	1	71	816-2591-00	SPECIAL LEAD(YEL)	1
35	621-1746-20	LOCK ARM R	1	72	816-2592-00	SPECIAL LEAD(BLUE)	1
36	621-1747-20	GEAR COVER	1	73	816-2593-00	SPECIAL LEAD(PUR)	1
37	621-1748-20	POWER GEAR A	1	74	966-1722-20	SH-RACK-ASSY	1
				75	816-2624-50	FLAT WIRE	1

## ELECTRICAL PARTS LIST

### Main PWB(B1) section

Note)Several different parts of the same reference number are alternative parts.

One of those parts is used in the set.

Some parts depend on each model. The model name is specified in the description.

REF No.	PART No.	DESCRIPTION	REF No.	PART No.	DESCRIPTION	REF No.	PART No.	DESCRIPTION
ANT1	092-2215-50	ANT-RECEPT	C101	042-1715-00	16V 3300pF	C121	043-1751-90	470pF
BL1	880-2091E	TUNER	C102	172-1041-15	50V 0.1uF	C122	043-1751-90	470pF
C2	043-1719-90	22pF	C104	042-0654-52	6.3V 10uF	C123	043-1751-90	4700pF
C3	042-1631-50	10VL 100uF	C105	042-0654-52	6.3V 10uF	C124	043-1804-90	0.1uF
C4	043-1802-90	0.01uF	C106	042-0654-52	6.3V 10uF	C125	043-1751-90	470pF
C5	043-1821-90	0.022pF	C107	042-0654-52	6.3V 10uF	C126	043-1751-90	470pF
C7	043-1800-90	1000pF	C108	042-0654-52	6.3V 10uF	C127	043-1751-90	470pF
C8	187-4763-15	6.3V 47uF	C109	042-0654-52	6.3V 10uF	C128	043-1751-90	470pF
C9	043-1608-90	0.1uF	C110	163-2253-65	50V 2.2uF	C129	043-1751-90	470pF
C9	046-1042-78	0.1uF	C114	178-4742-78	25V 0.47uF	C130	043-1751-90	470pF
C10	043-1804-90	0.1uF	C115	178-4742-78	25V 0.47uF	C131	043-1751-90	470pF
C11	043-1739-90	150pF	C116	178-4742-78	25V 0.47uF	C132	043-1751-90	470pF
C12	043-1735-90	100pF	C117	178-4742-78	25V 0.47uF	C133	043-1800-90	1000pF
C13	043-1735-90	100pF	C118	043-1751-90	470pF	C138	043-1800-90	1000pF
C14	043-1800-90	1000pF	C119	163-1053-65	50V 1uF	C139	043-1800-90	1000pF
C15	043-0552-90	6.3V 47uF	C120	163-1063-35	16V 10uF	C301	178-4742-78	25V 0.47uF

REF No.	PART No.	DESCRIPTION	REF No.	PART No.	DESCRIPTION	REF No.	PART No.	DESCRIPTION
C302	043-0540-00	6.3V 10uF	C365	043-1804-90	0.1uF	C906	043-1804-90	0.1uF
C303	163-1073-15	6.3V 100pF	C366	043-1735-90	100pF	C907	043-1608-90	0.1uF
C304	043-1601-90	100pF	C368	043-1608-90	0.1uF	C907	046-1042-78	0.1uF
C304	045-1011-50	100pF	C368	046-1042-78	0.1uF	C908	042-0654-52	6.3V 10uF
C305	043-1601-90	100pF	C369	043-0551-90	6.3V 4.7uF	C909	163-1073-35	16V 100pF
C305	045-1011-50	100pF	C370	042-0654-52	16V 10uF	C910	043-1608-90	0.1uF
C306	163-1063-35	16V 10uF	C371	043-1608-90	0.1uF	C910	046-1042-78	0.1uF
C307	163-1063-35	16V 10uF	C371	046-1042-78	0.1uF	C911	163-1063-35	16V 10uF
C308	163-1063-35	16V 10uF	C372	042-0654-52	16V 10uF	C912	042-1563-71	16V 100uF
C309	163-1063-35	16V 10uF	C373	043-1608-90	0.1uF	C913	042-0654-50	6.3V 22uF
C310	043-1804-90	0.1uF	C373	046-1042-78	0.1uF	C914	042-0654-50	6.3V 22uF
C311	043-1606-90	1000pF	C374	043-0552-90	6.3V 47uF	C915	042-0654-50	6.3V 22uF
C311	046-1022-58	1000pF	C375	043-1601-90	100pF	C916	042-0654-50	6.3V 22uF
C312	043-1606-90	1000pF	C375	045-1011-50	100pF	C917	042-0654-50	6.3V 22uF
C312	046-1022-58	1000pF	C377	043-1608-90	0.1uF	C918	042-0654-50	6.3V 22uF
C313	043-1606-90	1000pF	C377	046-1042-78	0.1uF	C919	043-1804-90	0.1uF
C313	046-1022-58	1000pF	C378	043-1601-90	100pF	C920	043-1723-90	33pF
C314	043-1804-90	0.1uF	C378	045-1011-50	100pF	C920	166-3301-50	50V 33pF
C315	043-1735-90	100pF	C379	043-1735-90	100pF	C921	043-1735-90	100pF
C316	043-1735-90	100pF	C380	043-1735-90	100pF	C922	043-1735-90	100pF
C317	043-1735-90	100pF	C600	042-1563-71	16V 100uF	C923	043-1723-90	33pF
C319	178-4742-78	25V 0.47uF	C601	043-1804-90	0.1uF	C923	166-3301-50	50V 33pF
C320	043-1824-90	0.22pF	C602	163-2263-35	16V 22uF	C924	043-1735-90	100pF
C320	168-2245-79	0.22pF	C603	043-1841-90	0.047pF	C925	043-1735-90	100pF
C321	043-1735-90	100pF	C604	043-1735-90	100pF	C926	043-1804-90	0.1uF
C322	042-0654-52	16V 10uF	C605	042-1563-71	16V 100uF	C927	043-0264-59	2700pF
C323	043-1802-90	0.01uF	C606	163-1063-35	16V 10uF	C928	043-0264-59	2700pF
C324	043-1804-90	0.1uF	C607	043-1606-90	1000pF	C929	043-0264-51	2200pF
C325	043-0552-90	6.3V 47uF	C607	046-1022-58	1000pF	C930	043-0264-51	2200pF
C326	042-1505-80	25V 1uF	C608	187-4763-35	16V 47uF	C931	043-0264-51	2200pF
C327	043-1824-90	0.22pF	C609	043-1602-90	18pF	C932	043-0264-51	2200pF
C327	168-2245-79	0.22pF	C609	045-1801-50	18pF	C933	043-1802-90	0.01uF
C329	043-0540-00	6.3V 10uF	C610	043-1603-90	22pF	C934	187-1063-35	16V 10uF
C330	043-1841-90	0.047pF	C610	045-2201-50	22pF	C947	042-0654-52	6.3V 10uF
C331	043-1608-90	0.1uF	C611	043-1804-90	0.1uF	C948	042-0654-52	6.3V 10uF
C331	046-1042-78	0.1uF	C613	187-4763-35	16V 47uF	C949	042-0654-52	6.3V 10uF
C332	163-2273-25	10V 220 uF	C614	043-1821-90	0.022pF	C950	042-0654-52	6.3V 10uF
C334	043-1711-90	10pF	C616	172-4731-15	50V 0.047uF	C951	042-0654-52	6.3V 10uF
C335	043-1824-90	0.22pF	C617	042-1576-00	5.5V 0.1F	C952	042-0654-52	6.3V 10uF
C335	168-2245-79	0.22pF	C618	042-1577-00	6.3V 100uF	D1	001-1310-00	KDS160
C337	043-1606-90	1000pF	C619	043-1802-90	0.01uF	D101	001-0592-61	1N5404
C337	046-1022-58	1000pF	C621	043-1607-90	0.01uF	D102	001-0466-91	S5688G
C338	043-1606-90	1000pF	C621	046-1032-78	0.01uF	D103	001-1310-00	KDS160
C338	046-1022-58	1000pF	C624	043-1824-90	0.22pF	D104	001-1310-00	KDS160
C340	043-1751-90	470pF	C624	168-2245-79	0.22pF	D105	001-4301-43	HZU8.2B1
C342	043-1819-90	2200pF	C625	043-1608-90	0.1uF	D130	001-1310-00	KDS160
C343	043-1711-90	10pF	C625	046-1042-78	0.1uF	D340	001-4301-28	HZU5.1B
C344	043-0540-02	16V 1uF	C626	187-1063-35	16V 10uF	D600	001-0401-47	HZS9C1
C345	043-1819-90	2200pF	C628	043-1804-90	0.1uF	D601	001-0504-47	HZS9B3L
C346	043-1819-90	2200pF	C629	163-3363-25	25V 33uF	D602	001-0504-45	HZS9B1L
C347	043-1802-90	0.01uF	C630	043-1804-90	0.1uF	D603	001-0504-33	HZS6B2L
C350	043-0540-00	6.3V 10uF	C631	043-1802-90	0.01uF	D604	001-7062-90	RBR1111C
C351	043-1751-90	470pF	C632	043-1804-90	0.1uF	D605	001-0644-90	MA113
C352	043-1819-90	2200pF	C633	043-1606-90	1000pF	D606	001-0644-90	MA113
C353	043-1819-90	2200pF	C633	046-1022-58	1000pF	D607	001-1310-00	KDS160
C354	043-1819-90	2200pF	C634	163-1063-35	16V 10uF	D608	001-2601-90	MA728
C355	043-1804-90	0.1uF	C635	043-1735-90	100pF	D609	001-1310-00	KDS160
C356	043-1606-90	1000pF	C637	043-1804-90	0.1uF	D610	001-0466-91	S5688G
C356	046-1022-58	1000pF	C638	043-1802-90	0.01uF	D611	001-4301-26	HZU4.7B2
C357	043-1741-90	180pF	C639	189-1083-12	6.3V 1000pF	D612	001-1310-00	KDS160
C357	166-1811-50	50V 180pF	C901	043-1802-90	0.01uF	D613	001-1310-00	KDS160
C358	043-0551-90	6.3V 4.7uF	C902	042-1563-71	16V 100uF	D614	001-0466-91	S5688G
C359	043-0551-90	6.3V 4.7uF	C903	043-1804-90	0.1uF	D615	001-4301-44	HZU8.2B2
C360	043-1800-90	1000pF	C904	042-1505-82	16V 10uF	D616	001-0644-90	MA113
C361	042-0654-52	16V 10uF	C905	043-1608-90	0.1uF	D619	001-2601-90	MA728
C362	043-0551-90	6.3V 4.7uF	C905	046-1042-78	0.1uF	IC1	051-1905-91	AN77L05M

REF No.	PART No.	DESCRIPTION	REF No.	PART No.	DESCRIPTION	REF No.	PART No.	DESCRIPTION
IC101	051-2056-00	TB2913HQ	L912	010-3105-67	1.5K ohm/100MHZ	R10	033-1021-15	1/16W 1k ohm
IC301	-----	SAF7730HN219A	L913	010-3105-67	1.5K ohm/100MHZ	R11	033-1031-15	1/16W 10k ohm
IC603	052-3979-01	M30873MHB-703GP	L914	010-3105-67	1.5K ohm/100MHZ	R16	033-1021-15	1/16W 1k ohm
IC604	051-3335-90	AN77L04M	L915	010-3112-91	1.5K ohm/100MHZ	R17	119-0000-05	1/10W 0 ohm JW
IC605	051-9402-68	BR93L58F-WE2	L916	010-3112-91	1.5K ohm/100MHZ	R18	119-0000-05	1/10W 0 ohm JW
IC606	051-5437-08	R3111N211A	L917	010-3112-91	1.5K ohm/100MHZ	R22	033-1831-15	1/16W 18k ohm
IC606	051-5437-58	R3111N211A	L918	010-3105-67	1.5K ohm/100MHZ	R23	119-1031-15	1/10W 10k ohm
IC607	051-6600-90	LA2335M	Q1	125-7005-90	PHK04P02T	R24	033-1831-15	1/16W 18k ohm
IC608	051-3406-90	NJM2078M	Q2	190-1365-50	2SA1365	R25	119-0000-05	1/10W 0 ohm JW
IC901	051-6730-90	WM8766	Q3	125-2041-96	RT1N436M	R26	119-0000-05	1/10W 0 ohm JW
IC902	051-3026-90	NJM4580V	Q4	125-2041-96	RT1N436M	R27	119-1831-15	1/10W 18k ohm
IC903	051-3026-90	NJM4580V	Q5	190-1602-00	2SA1602A	R28	119-3331-15	1/10W 33k ohm
IC904	051-3026-90	NJM4580V	Q101	125-4012-90	KTD1304	R29	119-1831-15	1/10W 18k ohm
J101	074-1214-50	16P	Q102	125-4012-90	KTD1304	R30	119-3331-15	1/10W 33k ohm
J102	076-6003-18	18P	Q103	125-4012-90	KTD1304	R31	119-3331-15	1/10W 33k ohm
J601	074-2244-68	18P	Q104	125-4012-90	KTD1304	R32	119-1831-15	1/10W 18k ohm
J604	074-1194-00	13P	Q105	125-4012-90	KTD1304	R33	119-3331-15	1/10W 33k ohm
J605	074-1138-79	20P	Q106	125-4012-90	KTD1304	R34	119-1831-15	1/10W 18k ohm
J606	076-0368-16	16P	Q108	125-2041-93	RT1N241M	R35	119-0000-05	1/10W 0 ohm JW
L1	010-2003-04	30uH	Q109	125-0034-96	RT1P436M	R36	119-1031-15	1/10W 10k ohm
L2	010-2279-50	4.7uH	Q110	125-2041-96	RT1N436M	R37	119-1031-15	1/10W 10k ohm
L3	010-2279-50	4.7uH	Q112	192-4155-49	2SC4155A	R39	119-2201-15	1/10W 22 ohm
L101	010-8038-01	CHOKE COIL 130uH	Q600	125-4015-90	KTC2026	R40	119-0000-05	1/10W 0 ohm JW
L102	010-3105-67	1.5K ohm/100MHZ	Q601	198-0302-50	2SK302	R41	119-1001-15	1/10W 10 ohm
L103	010-3105-67	1.5K ohm/100MHZ	Q602	190-1602-00	2SA1602A	R42	119-0000-05	1/10W 0 ohm JW
L104	010-3105-67	1.5K ohm/100MHZ	Q603	125-2041-93	RT1N241M	R43	119-0000-05	1/10W 0 ohm JW
L105	010-3105-67	1.5K ohm/100MHZ	Q606	125-2041-93	RT1N241M	R44	119-0000-05	1/10W 0 ohm JW
L106	010-3105-67	1.5K ohm/100MHZ	Q607	190-1365-50	2SA1365	R45	119-4721-15	1/10W 4.7k ohm
L107	010-3105-67	1.5K ohm/100MHZ	Q608	125-4015-90	KTC2026	R46	119-4721-15	1/10W 4.7k ohm
L301	010-3112-91	1.5K ohm/100MHZ	Q609	125-2041-93	RT1N241M	R49	119-0000-05	1/10W 0 ohm JW
L303	010-3112-90	1k ohm/100MHZ	Q612	125-4014-90	KTC2020D	R50	119-0000-05	1/10W 0 ohm JW
L305	010-3112-90	1k ohm/100MHZ	Q615	125-2041-92	RT1N141M	R51	119-0000-05	1/10W 0 ohm JW
L306	010-3112-90	1k ohm/100MHZ	Q616	190-1602-00	2SA1602A	R52	119-0000-05	1/10W 0 ohm JW
L308	010-3112-91	1.5K ohm/100MHZ	Q617	101-0941-00	2SB941	R54	033-1001-15	1/16W 10k ohm
L309	010-3112-91	1.5K ohm/100MHZ	Q618	125-0034-93	RT1P241M	R55	119-0000-05	1/10W 0 ohm JW
L310	010-3112-91	1.5K ohm/100MHZ	Q619	190-1602-00	2SA1602A	R56	033-1021-15	1/16W 1k ohm
L311	010-3112-91	1.5K ohm/100MHZ	Q620	190-1602-00	2SA1602A	R59	119-1011-15	1/10W 100 ohm
L312	010-3112-91	1.5K ohm/100MHZ	Q621	192-4155-49	2SC4155A	R60	119-1031-15	1/10W 10k ohm
L313	010-3112-91	1.5K ohm/100MHZ	Q622	192-4155-49	2SC4155A	R64	119-0000-05	1/10W 0 ohm JW
L314	010-3112-91	1.5K ohm/100MHZ	Q623	125-0034-93	RT1P241M	R67	119-0000-05	1/10W 0 ohm JW
L315	010-3112-91	1.5K ohm/100MHZ	Q624	125-2041-93	RT1N241M	R68	033-1011-15	1/16W 100k ohm
L316	010-3112-91	1.5K ohm/100MHZ	Q625	125-2041-93	RT1N241M	R69	119-1031-15	1/10W 10k ohm
L317	010-3112-91	1.5K ohm/100MHZ	Q626	131-1260-00	2SB1260	R70	033-1011-15	1/16W 100k ohm
L318	010-3105-67	1.5K ohm/100MHZ	Q627	190-1602-00	2SA1602A	R71	033-1031-15	1/16W 10k ohm
L319	010-3105-67	1.5K ohm/100MHZ	Q628	125-2041-93	RT1N241M	R72	033-1011-15	1/16W 100k ohm
L320	010-3112-90	1k ohm/100MHZ	Q629	131-1260-00	2SB1260	R73	119-0000-05	1/10W 0 ohm JW
L321	010-3105-67	1.5K ohm/100MHZ	Q631	125-4015-90	KTC2026	R74	033-1031-15	1/16W 10k ohm
L322	010-3105-67	1.5K ohm/100MHZ	Q632	190-1602-00	2SA1602A	R75	033-1031-15	1/16W 10k ohm
L323	010-3112-90	1k ohm/100MHZ	Q633	125-2041-96	RT1N436M	R77	119-0000-05	1/10W 0 ohm JW
L324	010-3112-90	1k ohm/100MHZ	Q635	125-0034-93	RT1P241M	R78	119-1031-15	1/10W 10k ohm
L325	010-3112-90	1k ohm/100MHZ	Q636	192-4155-49	2SC4155A	R79	033-4721-15	1/16W 4.7k ohm
L326	010-3112-91	1.5K ohm/100MHZ	Q641	125-9015-92	RN4902	R80	119-1011-15	1/10W 100 ohm
L377	010-3112-91	1.5K ohm/100MHZ	Q642	125-9015-92	RN4902	R81	119-0000-05	1/10W 0 ohm JW
L601	010-3112-90	1k ohm/100MHZ	Q801	125-2041-96	RT1N436M	R82	119-1011-15	1/10W 100 ohm
L602	010-6025-00	10uH	Q901	125-4012-90	KTD1304	R86	033-0000-05	0.5A 0 ohm
L901	010-3112-91	1.5K ohm/100MHZ	Q902	125-4012-90	KTD1304	R87	033-0000-05	0.5A 0 ohm
L902	010-3112-91	1.5K ohm/100MHZ	Q903	125-4012-90	KTD1304	R90	119-0000-05	1/10W 0 ohm JW
L903	010-3112-91	1.5K ohm/100MHZ	Q904	125-4012-90	KTD1304	R101	119-1031-15	1/10W 10k ohm
L904	010-3112-91	1.5K ohm/100MHZ	Q905	125-4012-90	KTD1304	R102	033-3331-15	1/16W 33k ohm
L905	010-3112-91	1.5K ohm/100MHZ	Q906	125-2041-93	RT1N241M	R103	033-1021-15	1/16W 1k ohm
L906	010-3112-91	1.5K ohm/100MHZ	Q907	125-0034-96	RT1P436M	R104	033-5621-15	1/16W 5.6k ohm
L907	010-3112-91	1.5K ohm/100MHZ	Q908	125-4012-90	KTD1304	R108	119-4721-15	1/10W 4.7k ohm
L908	010-3105-67	1.5K ohm/100MHZ	R3	119-1041-15	1/10W 100k ohm	R110	119-1021-15	1/10W 1k ohm
L909	010-3105-67	1.5K ohm/100MHZ	R6	119-1031-15	1/10W 10k ohm	R111	119-1021-15	1/10W 1k ohm
L910	010-3105-67	1.5K ohm/100MHZ	R7	119-1031-15	1/10W 10k ohm	R112	119-1021-15	1/10W 1k ohm
L911	010-3105-67	1.5K ohm/100MHZ	R8	033-1031-15	1/16W 10k ohm	R113	119-3311-15	1/10W 330 ohm

REF No.	PART No.	DESCRIPTION	REF No.	PART No.	DESCRIPTION	REF No.	PART No.	DESCRIPTION
R114	119-3311-15	1/10W 330 ohm	R635	033-4711-15	1/16W 470 ohm	R910	033-4721-15	1/16W 4.7k ohm
R115	119-3311-15	1/10W 330 ohm	R636	033-1031-15	1/16W 10k ohm	R911	033-3301-15	1/16W 33 ohm
R116	119-3311-15	1/10W 330 ohm	R637	033-1031-15	1/16W 10k ohm	R912	032-0140-50	1/10W 10k (F) ohm
R117	119-3311-15	1/10W 330 ohm	R638	033-1031-15	1/16W 10k ohm	R913	032-0140-50	1/10W 10k (F) ohm
R118	119-3311-15	1/10W 330 ohm	R639	033-5621-15	1/16W 5.6k ohm	R914	032-0140-50	1/10W 10k (F) ohm
R119	119-2231-15	1/10W 22k ohm	R640	033-4721-15	1/16W 4.7k ohm	R915	032-0140-50	1/10W 10k (F) ohm
R120	119-2231-15	1/10W 22k ohm	R641	033-1031-15	1/16W 10k ohm	R916	032-0140-50	1/10W 10k (F) ohm
R121	119-2231-15	1/10W 22k ohm	R642	033-1041-15	1/16W 100k ohm	R917	032-0140-50	1/10W 10k (F) ohm
R122	119-2231-15	1/10W 22k ohm	R643	116-1801-15	1/4WS 18 ohm	R918	032-0140-03	1/10W 220k (F) ohm
R123	119-2231-15	1/10W 22k ohm	R644	119-1041-15	1/10W 100k ohm	R919	032-0140-22	1/10W 68k (F) ohm
R124	119-2231-15	1/10W 22k ohm	R645	033-4731-15	1/16W 47k ohm	R920	032-0140-22	1/10W 68k (F) ohm
R133	116-1521-15	1/4WS 1.5k ohm	R646	119-1031-15	1/10W 10k ohm	R921	032-0140-03	1/10W 220k (F) ohm
R134	119-1021-15	1/10W 1k ohm	R647	116-1591-15	1/4WS 1.5 ohm	R922	032-0140-22	1/10W 68k (F) ohm
R135	119-1021-15	1/10W 1k ohm	R648	119-4731-15	1/10W 47k ohm	R923	032-0140-22	1/10W 68k (F) ohm
R136	119-1021-15	1/10W 1k ohm	R649	116-1591-15	1/4WS 1.5 ohm	R926	119-8211-15	1/10W 820 ohm
R137	119-1021-15	1/10W 1k ohm	R650	033-3321-15	1/16W 3.3k ohm	R927	119-1221-15	1/10W 1.2k ohm
R145	032-0140-50	1/10W 10k ohm	R651	033-1531-15	1/16W 15k ohm	R932	119-0000-05	1/10W 0 ohm JW
R151	033-2231-15	1/16W 22k ohm	R652	119-3321-15	1/10W 3.3k ohm	R933	119-0000-05	1/10W 0 ohm JW
R337	033-1041-15	1/16W 100k ohm	R653	033-4711-15	1/16W 470 ohm	R934	119-0000-05	1/10W 0 ohm JW
R341	033-1041-15	1/16W 100k ohm	R654	119-2231-15	1/10W 22k ohm	R935	032-0140-62	1/10W 1k (F) ohm
R355	119-1021-15	1/10W 1k ohm	R655	033-1051-15	1/16W 1M ohm	R937	119-0000-05	1/10W 0 ohm JW
R361	119-1021-15	1/10W 1k ohm	R657	116-1591-15	1/4WS 1.5 ohm	R939	032-0140-62	1/10W 1k (F) ohm
R364	119-7501-15	1/10W 75 ohm	R658	033-2231-15	1/16W 22k ohm	R940	119-0000-05	1/10W 0 ohm JW
R450	033-1021-15	1/16W 1k ohm	R659	033-1031-15	1/16W 10k ohm	R943	119-0000-05	1/10W 0 ohm JW
R600	119-1011-15	1/10W 100 ohm	R660	116-1591-15	1/4WS 1.5 ohm	R944	032-0140-79	1/10W 2.7k (F) ohm
R601	033-1031-15	1/16W 10k ohm	R661	116-6801-15	1/4WS 68 ohm	R945	032-0140-79	1/10W 2.7k (F) ohm
R602	119-2231-15	1/10W 22k ohm	R662	033-1041-15	1/16W 100k ohm	R946	032-0140-79	1/10W 2.7k (F) ohm
R603	119-3921-15	1/10W 3.9k ohm	R663	033-1031-15	1/16W 10k ohm	R947	033-0000-05	0.5A 0 ohm
R604	119-1031-15	1/10W 10k ohm	R664	119-4731-15	1/10W 47k ohm	R948	032-0140-79	1/10W 2.7k (F) ohm
R605	116-4711-15	1/4WS 470 ohm	R665	119-4731-15	1/10W 47k ohm	R950	033-4721-15	1/16W 4.7k ohm
R606	116-4711-15	1/4WS 470 ohm	R666	116-1221-15	1/4WS 1.2k ohm	R952	033-0000-05	0.5A 0 ohm
R607	033-1031-15	1/16W 10k ohm	R667	032-0140-66	1/10W 220 (F) ohm	R954	119-0000-05	1/10W 0 ohm JW
R608	116-1811-15	1/4WS 180 ohm	R668	032-0140-67	1/10W 3.3k (F) ohm	R955	033-0000-05	0.5A 0 ohm
R609	033-2221-15	1/16W 2.2k ohm	R669	033-4711-15	1/16W 470 ohm	R961	032-0140-62	1/10W 1k (F) ohm
R610	033-1031-15	1/16W 10k ohm	R670	033-4721-15	1/16W 4.7k ohm	R962	032-0140-62	1/10W 1k (F) ohm
R612	116-3311-15	1/4WS 330 ohm	R671	032-0140-56	1/10W 12k (F) ohm	R963	032-0140-62	1/10W 1k (F) ohm
R613	119-1031-15	1/10W 10k ohm (PE2902K-A/B)	R672	119-4721-15	1/10W 4.7k ohm	R964	032-0140-62	1/10W 1k (F) ohm
R614	119-1031-15	1/10W 10k ohm (PE2902B-A)	R673	033-1031-15	1/16W 10k ohm	R965	032-0140-62	1/10W 1k (F) ohm
R616	119-0000-05	1/10W 0 ohm	R674	033-1031-15	1/16W 10k ohm	R966	032-0140-62	1/10W 1k (F) ohm
R617	119-2231-15	1/10W 22k ohm	R675	116-1221-15	1/4WS 1.2k ohm	R967	032-0140-98	1/10W 330 (F) ohm
R620	119-1031-15	1/10W 10k ohm (PE2902B-A)	R678	119-0000-05	1/10W 0 ohm JW	R968	032-0140-98	1/10W 330 (F) ohm
R621	119-1031-15	1/10W 10k ohm (PE2902K-A/B)	R680	119-1031-15	1/10W 10k ohm	R969	032-0140-98	1/10W 330 (F) ohm
R622	119-1031-15	1/10W 10k ohm	R681	119-0000-05	1/10W 0 ohm JW	R970	032-0140-98	1/10W 330 (F) ohm
R623	033-1811-15	1/16W 180 ohm	R682	119-0000-05	1/10W 0 ohm JW	R971	032-0140-98	1/10W 330 (F) ohm
R624	033-1031-15	1/16W 10k ohm	R690	119-4731-15	1/10W 47k ohm	R972	032-0140-98	1/10W 330 (F) ohm
R625	119-4721-15	1/10W 4.7k ohm	R691	119-1031-15	1/10W 10k ohm	R973	033-1021-15	1/16W 1k ohm
R626	119-4721-15	1/10W 4.7k ohm	R695	119-1031-15	1/10W 10k ohm	R974	033-1021-15	1/16W 1k ohm
R628	119-1011-15	1/10W 100 ohm	R696	119-0000-05	1/10W 0 ohm JW	R975	033-1021-15	1/16W 1k ohm
R629	033-1011-15	1/16W 100k ohm	R697	033-4731-15	1/16W 47k ohm	RR600	119-0000-05	1/10W 0 ohm JW
R630	119-1011-15	1/10W 100 ohm	R698	033-1041-15	1/16W 100k ohm	S601	013-6103-00	TACT SWITCH
R631	033-1011-15	1/16W 100k ohm	R903	033-4721-15	1/16W 4.7k ohm	SUP1	060-8057-90	CSA20-141N-T
R633	033-1021-15	1/16W 1k ohm	R904	033-5611-15	1/16W 560 ohm	X301	061-3537-90	41.6MHz
R634	033-1041-15	1/16W 100k ohm	R905	033-5611-15	1/16W 560 ohm	X601	060-1533-90	10MHz
			R906	033-5611-15	1/16W 560 ohm	X602	061-1056-00	32.768KHz
			R907	033-4711-15	1/16W 470 ohm	PWB	039-3053-00	PWB(WITHOUT COMPONENT)
			R908	033-4711-15	1/16W 470 ohm			
			R909	033-5611-15	1/16W 560 ohm			

### Switch PWB(B2) section

REF No.	PART No.	DESCRIPTION	REF No.	PART No.	DESCRIPTION	REF No.	PART No.	DESCRIPTION
C601	043-1608-90	0.1uF	C604	043-1608-90	0.1uF	C607	043-1608-90	0.1uF
C601	046-1042-78	0.1uF	C604	046-1042-78	0.1uF	C607	046-1042-78	0.1uF
C602	043-1608-90	0.1uF	C605	043-1608-90	0.1uF	C608	042-0423-97	16V 10uF
C602	046-1042-78	0.1uF	C605	046-1042-78	0.1uF	C609	042-0423-97	16V 10uF
C603	043-1608-90	0.1uF	C606	043-1608-90	0.1uF	C610	042-0423-97	16V 10uF
C603	046-1042-78	0.1uF	C606	046-1042-78	0.1uF	C611	178-4742-78	0.47uF

REF No.	PART No.	DESCRIPTION	REF No.	PART No.	DESCRIPTION	REF No.	PART No.	DESCRIPTION
C612	178-4742-78	0.47uF	Q604	125-2041-96	RT1N436M	R625	033-3921-15	1/16W 3.9k ohm
D603	001-0529-29	MA8051M	Q605	125-0034-93	RT1P241M	R628	119-0000-05	1/10W 0 ohm JW
D605	001-7046-01	DIODE	Q606	125-2041-96	RT1N436M	R630	119-0000-05	1/10W 0 ohm JW
D610	001-4301-35	HZU6.2B2	R605	033-1241-15	1/16W 120k ohm	R631	119-0000-05	1/10W 0 ohm JW
D611	001-4301-35	HZU6.2B2	R606	033-1011-15	1/16W 100 ohm	S609	013-6524-50	TACT SWITCH
D715	001-7040-91	DIODE	R607	033-1021-15	1/16W 1k ohm	S610	013-6524-50	TACT SWITCH
D716	001-2601-90	MA728	R608	116-1811-15	1/4WS 180 ohm	S611	013-6524-50	TACT SWITCH
D737	001-7040-91	DIODE	R609	033-4721-15	1/16W 4.7k ohm	S612	013-6524-50	TACT SWITCH
IC601	051-6089-00	NJU6539	R610	033-1041-15	1/16W 100k ohm	S613	013-7419-00	SWITCH
IR601	060-4017-90	RS-671	R612	119-3911-15	1/10W 390 ohm	S614	013-6524-50	TACT SWITCH
LCD1	379-1382-51	INDICATOR(LCD)	R614	119-3911-15	1/10W 390 ohm	PWB	039-3052-00	PWB(WITHOUT COMPONENT)
P601	076-0647-00	16P	R620	033-1031-15	1/16W 10k ohm			
Q601	125-2041-93	RT1N241M	R622	119-3311-15	1/10W 330 ohm			

### D/D PWB(B3) section

REF No.	PART No.	DESCRIPTION	REF No.	PART No.	DESCRIPTION	REF No.	PART No.	DESCRIPTION
C502	042-1563-71	16V 100uF	D506	001-2635-90	D1FJ10	R506	119-1031-15	1/10W 10k ohm
C503	043-1804-90	0.1uF	D507	001-0529-57	MA8120H	R507	119-4701-15	1/10W 47 ohm
C505	042-1563-71	16V 100uF	D508	001-2635-90	D1FJ10	R508	032-0140-90	1/10W 560 ohm F
C506	043-1804-90	0.1uF	FIL501	060-3116-55	CKD51QJB1H102ST	R509	032-0164-50	1/10W 0.1 ohm F
C507	043-0510-51	25V 10uF	FIL502	060-3116-55	CKD51QJB1H102ST	R510	032-0164-50	1/10W 0.1 ohm F
C508	043-1800-90	1000pF	FIL503	060-3115-52	CKD51QJB1H102ST	R511	119-1001-15	1/10W 10 ohm
C510	043-1800-90	1000pF	IC501	051-3924-90	MD1424R	R512	119-5631-15	1/10W 56k ohm
C511	043-1841-90	0.047uF	J501	074-0898-16	16P	R513	119-1811-15	1/10W 180 ohm
C512	043-1802-90	0.01uF	L501	010-3600-90	2k ohm/100MHZ	R514	119-1811-15	1/10W 180 ohm
C513	163-1073-35	16V 100uF	L504	010-3041-90	10uH	R516	032-0140-53	1/10W 2.2k ohm F
C514	042-1697-00	10V 680uF	L505	010-3108-53	330 ohm/100MHZ	R521	119-1051-15	1/10W 1M ohm
C517	043-1800-90	1000pF	L506	010-2275-50	33uH	R522	119-1031-15	1/10W 10k ohm
C521	043-1804-90	0.1uF	L507	010-2275-50	33uH	R523	032-0140-15	1/10W 6.8k ohm F
C523	163-2263-35	16V 22uF	Q501	125-2041-93	RT1N241M	R527	119-1041-15	1/10W 100k ohm
C524	163-3363-45	16V 33uF	Q502	190-1602-00	2SA1602A	R529	119-3321-15	1/10W 3.3k ohm
C525	163-2263-35	16V 22uF	Q503	192-2873-00	192287300	R530	119-3321-15	1/10W 3.3k ohm
C526	163-3363-45	16V 33uF	Q504	125-2041-93	RT1N241M	T501	007-1180-00	SRW13EPC
D502	001-0608-90	D1FS4	Q506	125-3010-90	KTA1666	PWB	039-3046-00	PWB(WITHOUT COMPONENT)
D504	001-0507-90	DAP202K	R501	119-1031-15	1/10W 10k ohm			
D505	001-0529-57	MA8120H	R502	119-1031-15	1/10W 10k ohm			

### MECH PWB(B4) section

REF No.	PART No.	DESCRIPTION	REF No.	PART No.	DESCRIPTION	REF No.	PART No.	DESCRIPTION
C2	043-1804-90	0.1uF	C24	043-1713-90	12pF	C43	043-1804-90	0.1uF
C3	042-0636-50	6.3V 100uF	C24	166-1201-50	12pF	C44	043-1607-90	0.01uF
C4	043-1804-90	0.1uF	C25	043-1713-90	12pF	C44	046-1032-78	0.01uF
C5	163-1073-35	16V 100uF	C25	166-1201-50	12pF	C45	043-1605-90	68pF
C6	163-1073-35	16V 100uF	C26	043-1804-90	0.1uF	C45	045-6801-50	68pF
C7	168-1052-78	25V 1uF	C27	043-1611-90	2200pF	C46	043-1804-90	0.1uF
C8	163-1063-35	16V 10uF	C27	046-2222-58	2200pF	C47	043-1610-90	0.015uF
C9	168-1052-78	25V 1uF	C28	043-1804-90	0.1uF	C47	046-1532-78	0.015uF
C10	042-0423-21	10V 22uF TAN	C30	043-1617-90	6800pF	C48	043-1804-90	0.1uF
C11	042-0560-85	6.3V 100uF	C30	046-6822-58	6800pF	C49	043-1607-90	0.01uF
C12	043-0552-90	6.3V 47uF	C31	043-1804-90	0.1uF	C49	046-1032-78	0.01uF
C13	043-1804-90	0.1uF	C32	043-1804-90	0.1uF	C50	043-1804-90	0.1uF
C14	043-1804-90	0.1uF	C33	043-1613-90	0.033uF	C51	043-1804-90	0.1uF
C15	168-1052-78	25V 1uF	C33	046-3332-78	0.033pF	C52	043-1609-90	1500pF
C16	168-1052-78	25V 1uF	C34	043-1804-90	0.1uF	C52	046-1522-58	1500pF
C17	042-0423-21	10V 22uF TAN	C35	043-1804-90	0.1uF	C53	043-1612-90	3300pF
C20	043-1614-90	470pF	C37	043-1804-90	0.1uF	C53	046-3322-58	3300pF
C20	045-4711-50	470pF	C38	042-0423-20	10V 10uF TAN	C54	043-1607-90	0.01uF
C21	043-1841-90	0.047pF	C39	043-1804-90	0.1uF	C54	046-1032-78	0.01uF
C22	043-1614-90	470pF	C40	043-1804-90	0.1uF	C56	043-1804-90	0.1uF
C22	045-4711-50	470pF	C41	043-1804-90	0.1uF	C57	043-1610-90	0.015uF
C23	043-1841-90	0.047pF	C42	043-1804-90	0.1uF	C57	046-1532-78	0.015uF

REF No.	PART No.	DESCRIPTION	REF No.	PART No.	DESCRIPTION	REF No.	PART No.	DESCRIPTION
C60	043-1604-90	47pF	IC997	051-7226-08	TC7SH00FU	R49	033-0000-05	0.5A
C60	045-4701-50	47pF	IC998	051-3392-90	S-1323B15NB	R51	033-4721-15	1/16W 4.7k ohm
C61	043-1804-90	0.1uF	IC999	051-3392-90	S-1323B15NB	R52	033-4721-15	1/16W 4.7k ohm
C62	043-1804-90	0.1uF	J101	074-1228-79	29P	R53	033-1041-15	1/16W 100k ohm
C63	043-1804-90	0.1uF	J201	074-1138-65	15P	R57	033-1041-15	1/16W 100k ohm
C64	043-1804-90	0.1uF	J301	074-1138-60	10P	R59	033-4731-15	1/16W 47k ohm
C65	042-0423-21	10V 22uF TAN	L4	010-3112-91	1.5K ohm/100MHz	R60	033-1041-15	1/16W 100k ohm
C66	043-1804-90	0.1uF	L8	010-3105-69	80 ohm/100MHz	R61	033-1041-15	1/16W 100k ohm
C67	043-1804-90	0.1uF	P2	076-0478-55	5P	R62	033-4731-15	1/16W 47k ohm
C70	168-1052-78	25V 1uF	Q4	190-2060-00	2SA2060	R63	033-0000-05	0.5A
C72	168-1052-78	25V 1uF	Q4	131-1188-50	2SB1188	R64	033-4731-15	1/16W 47k ohm
C73	043-1804-90	0.1uF	Q7	190-1365-50	2SA1365	R65	033-4731-15	1/16W 47k ohm
C74	043-1804-90	0.1uF	Q8	125-2041-93	RT1N241M	R66	033-0000-05	0.5A
C78	043-1804-90	0.1uF	Q11	125-2041-93	RT1N241M	R67	033-0000-05	0.5A
C79	043-1804-90	0.1uF	R1	033-5621-15	1/16W 5.6k ohm	R68	033-0000-05	0.5A
C80	043-1804-90	0.1uF	R2	033-1031-15	1/16W 10k ohm	R69	033-1041-15	1/16W 100k ohm
C81	043-1804-90	0.1uF	R3	117-6811-15	1/10W 680k ohm	R71	033-2211-15	1/16W 220 ohm
C82	043-1804-90	0.1uF	R4	033-1041-15	1/16W 100k ohm	R72	033-2211-15	1/16W 220 ohm
C83	043-1804-90	0.1uF	R5	033-1041-15	1/16W 100k ohm	R74	033-1041-15	1/16W 100k ohm
C89	043-1613-90	0.033uF	R6	033-1021-15	1/16W 1k ohm	R75	033-1041-15	1/16W 100k ohm
C89	046-3332-78	0.033pF	R7	117-1001-15	1/10W 10k ohm	R76	033-2211-15	1/16W 220 ohm
C90	043-1804-90	0.1uF	R8	033-0000-05	0.5A	R78	033-2211-15	1/16W 220 ohm
C93	043-1600-90	10pF	R9	033-0000-05	0.5A	R79	033-1051-15	1/16W 1M ohm
C93	045-1007-50	10pF	R10	033-8231-15	1/16W 82k ohm	R80	033-1051-15	1/16W 1M ohm
C94	043-1600-90	10pF	R12	033-1531-15	1/16W 15k ohm	R81	033-4701-15	1/16W 47 ohm
C94	045-1007-50	10pF	R13	033-8231-15	1/16W 82k ohm	R82	033-0000-05	0.5A
C95	043-1804-90	0.1uF	R15	033-2731-15	1/16W 27k ohm	R86	033-4731-15	1/16W 47k ohm
C96	042-0423-20	10V 10uF TAN	R16	033-4731-15	1/16W 47k ohm	R87	033-4731-15	1/16W 47k ohm
C97	043-1804-90	0.1uF	R17	033-2731-15	1/16W 27k ohm	R88	033-4731-15	1/16W 47k ohm
C98	043-1804-90	0.1uF	R18	033-2211-15	1/16W 220 ohm	R89	033-4731-15	1/16W 47k ohm
C100	043-1600-90	10pF	R19	033-2731-15	1/16W 27k ohm	R94	033-1031-15	1/16W 10k ohm
C100	045-1007-50	10pF	R20	033-2731-15	1/16W 27k ohm	R95	033-1041-15	1/16W 100k ohm
C101	043-1600-90	10pF	R21	033-2221-15	1/16W 2.2k ohm	R96	033-1531-15	1/16W 15k ohm
C101	045-1007-50	10pF	R22	033-1051-15	1/16W 1M ohm	R97	033-1531-15	1/16W 15k ohm
C102	043-1804-90	0.1uF	R24	033-2211-15	1/16W 220 ohm	R98	033-2701-15	1/16W 27 ohm
C103	043-1607-90	0.01uF	R25	033-2711-15	1/16W 270 ohm	R99	033-2701-15	1/16W 27 ohm
C103	046-1032-78	0.01uF	R26	033-2711-15	1/16W 270 ohm	R101	033-1041-15	1/16W 100k ohm
CCT1	050-0140-57	1/32W 10kohmx4 J	R27	033-4731-15	1/16W 47k ohm	R103	033-1031-15	1/16W 10k ohm
CCT2	050-0140-54	1/32W 1k ohm x4 J	R28	033-2231-15	1/16W 22k ohm	R104	033-0000-05	0.5A
CCT3	010-3042-54	COIL	R29	033-2231-15	1/16W 22k ohm	R110	033-0000-05	0.5A
CCT4	010-3042-54	COIL	R30	033-4731-15	1/16W 47k ohm	R111	033-0000-05	0.5A
CCT5	010-3042-54	COIL	R31	033-3341-15	1/16W 330k ohm	R114	033-1031-15	1/16W 10k ohm
CCT6	010-3042-54	COIL	R33	033-5621-15	1/16W 5.6k ohm	R115	033-1221-15	1/16W 1.2k ohm
CCT7	010-3042-54	COIL	R35	033-1011-15	1/16W 100 ohm	R116	033-0000-05	0.5A
CCT8	010-3042-54	COIL	R36	033-1021-15	1/16W 1k ohm	R117	033-0000-05	0.5A
D1	001-0367-91	1SS226TE85L	R37	033-1021-15	1/16W 1k ohm	R119	033-1041-15	1/16W 100k ohm
D903	001-0584-16	MA8039M	R39	033-4731-15	1/16W 47k ohm	R124	033-4731-15	1/16W 47k ohm
IC1	051-6079-80	BA5830FM	R40	033-4731-15	1/16W 47k ohm	R126	033-1031-15	1/16W 10k ohm
IC2	052-3981-90	TMP92FD28FG	R41	033-6831-15	1/16W 68k ohm	TM101	073-0768-90	TERMINAL
IC3	051-6733-10	TC94A70FG	R42	033-6831-15	1/16W 68k ohm	X1	061-3534-90	16.92MHz
IC4	051-9126-30	LP62S1024BX-70LLIF	R43	033-2211-15	1/16W 220 ohm	X2	061-3559-90	9MHz
IC5	051-6926-90	BD2051AFJ-TR	R44	033-0000-05	0.5A	X4	061-3522-90	32.768KHz
IC6	051-6927-90	SN65240PWR	R45	033-0000-05	0.5A	PWB	039-3047-00	PWB(WITHOUT COMPONENT)
IC7	051-5418-18	BD4827G	R46	033-4731-15	1/16W 47k ohm			
IC996	051-7202-28	TC7SH32FU						

### SENSOR PWB(B5) section

REF No.	PART No.	DESCRIPTION	REF No.	PART No.	DESCRIPTION	REF No.	PART No.	DESCRIPTION
D1	001-7058-90	AN1105W-RR	Q1	060-4015-91	PS1192HB	S2	013-7413-50	LIMIT
D2	001-7058-90	AN1105W-RR	Q2	060-4015-91	PS1192HB	PWB	039-2675-20	PWB(WITHOUT COMPONENT)
J1	074-1138-60	10P	S1	013-7414-50	CHUCKING			

### INNER ES FPC(B6) section

REF No.	PART No.	DESCRIPTION	REF No.	PART No.	DESCRIPTION
J1000	074-1278-01	SOCKET(16P)	PWB	039-2409-05	PWB(WITHOUT COMPONENT)