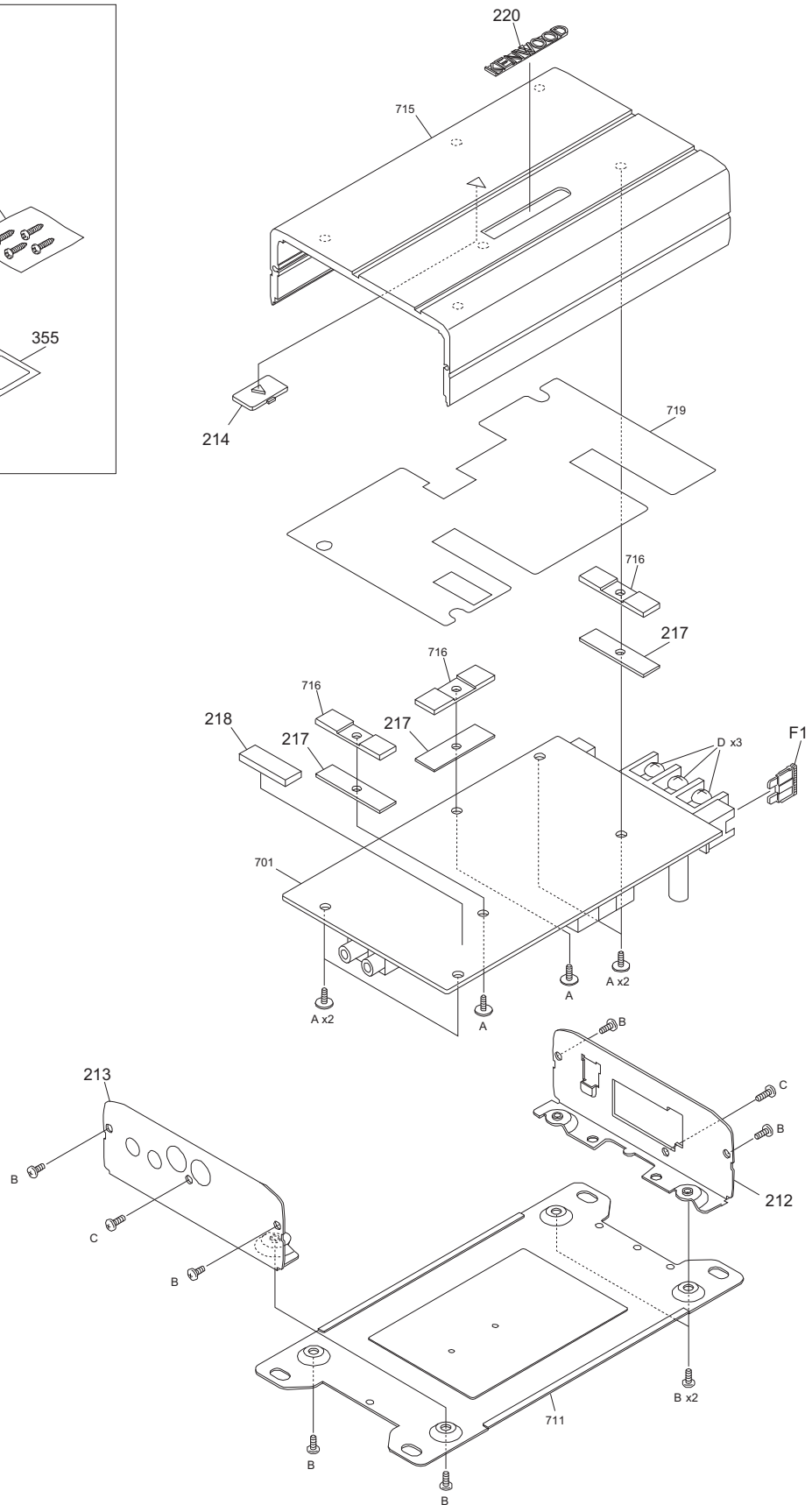
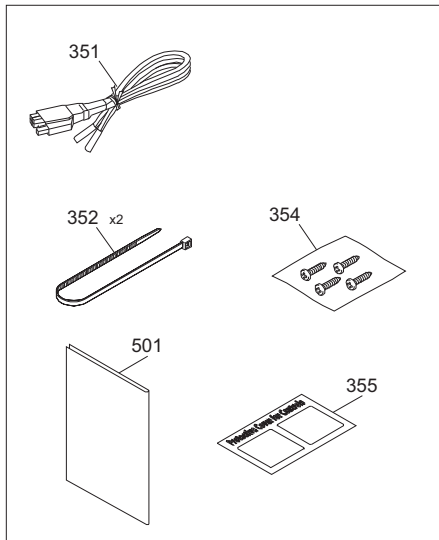


# EXPLODED VIEW

Block No.M1MM



Parts with the exploded numbers larger than 700 are not supplied.

MODEL	MARK
KAC-M3001	

Safe	Symbol No.	Parts No.	Parts Name	Description	QTY	Local
<b>EXPLODED VIEW (UNIT) &lt;M1MM&gt;</b>						
△	F1	F52-0027-05	FUSE (30A)	32V 30A	1	
	A	N09-6952-05	TAPTITE SCREW		6	
	B	N89-2608-43	BI.HEAD T.SCREW		8	
	C	N80-3010-43	P.HEAD T.SCREW		2	
	D	N09-4215-08	SCREW	M4 Ni	3	
	212	A6D-0030-00	PANEL		1	
	213	A6D-0031-00	PANEL		1	
	214	B19-2623-04	LIGHTING BOARD		1	
	217	F0C-0003-00	COOL SHEET		3	
	218	F0C-0006-00	COOL SHEET		1	
	220	B43-1553-04	BADGE		1	
	351	E3A-0048-00	SPEAKER CORD		1	
	352	J61-0629-05	WIRE BAND		2	
	354	N99-1840-05	SCREW SET		1	
	355	H2B-0006-00	PROTECT SHEET		1	
	501	B5A-0386-00	INST.MANUAL	ENG FRE SPA	1	

MODEL	MARK
KAC-M3001	

Safe	Symbol No.	Parts No.	Parts Name	Description	QTY	Local
<b>POWER AMP PWB ASSY (XK1-0100-10) &lt;01&gt;</b>						
	IC1	BA4564RFV	ANALOGUE IC		1	
	IC2	BA4564RFV	ANALOGUE IC		1	
	IC3	BA4564RFV	ANALOGUE IC		1	
	IC4	IRS2052MPBF	ANALOG IC		1	
	IC5	TL494G-S16-R	ANALOG IC		1	
	Q1	2SC4154(F)	TRANSISTOR		1	
	Q2	2SC4154(F)	TRANSISTOR		1	
	Q3	2SAR293P	TRANSISTOR		1	
	Q4	LTC014EUBFS8	DIGI TRANSISTOR		1	
	Q5	LTA014EUBFS8	DIGI TRANSISTOR		1	
	Q6	ISA1602AM1(F)	TRANSISTOR		1	
	Q7	2SC4154(F)	TRANSISTOR		1	
	Q8	2SA1577	TRANSISTOR		1	
	Q9	2SA1577	TRANSISTOR		1	
	Q10	NTD5865NG	FET		1	
	Q11	NTD5865NG	FET		1	
	Q12	NTD5865NG	FET		1	
	Q13	NTD5865NG	FET		1	
	Q14	2SCR533D	TRANSISTOR		1	
	Q15	2SAR533D	TRANSISTOR		1	
	Q16	2SCR533D	TRANSISTOR		1	
	Q17	2SC4154(F)	TRANSISTOR		1	
	Q18	2SC4154(F)	TRANSISTOR		1	
	Q19	2SC4154(F)	TRANSISTOR		1	
	Q20	2SC4154(F)	TRANSISTOR		1	
	Q21	2SC4154(F)	TRANSISTOR		1	
	Q22	LTC014EUBFS8	DIGI TRANSISTOR		1	
	Q23	LTA014EUBFS8	DIGI TRANSISTOR		1	
	Q24	LTC014EUBFS8	DIGI TRANSISTOR		1	
	Q25	LTA014EUBFS8	DIGI TRANSISTOR		1	
	Q26	LTC014EUBFS8	DIGI TRANSISTOR		1	
	Q27	LTA014EUBFS8	DIGI TRANSISTOR		1	
	Q28	LTA014EUBFS8	DIGI TRANSISTOR		1	
	Q29	LTC014EUBFS8	DIGI TRANSISTOR		1	
	Q101	2SC4154(F)	TRANSISTOR		1	
	Q171	2SC4154(F)	TRANSISTOR		1	
	Q172	LTA014EUBFS8	DIGI TRANSISTOR		1	
	Q173	2SC4154(F)	TRANSISTOR		1	
	Q201	IRFR4615PBF	FET		1	
	Q202	IRFR4615PBF	FET		1	
	Q203	IRFR4615PBF	FET		1	
	Q204	IRFR4615PBF	FET		1	
	Q205	2SC2713-F	TRANSISTOR		1	
	Q207	2SC2713-F	TRANSISTOR		1	
	Q209	2SA1163-F	TRANSISTOR		1	
	Q213	LTC014EUBFS8	DIGI TRANSISTOR		1	
	D1	DZ2J033M	ZENER DIODE		1	
	D2	DZ2J150M	ZENER DIODE		1	
	D3	DA2J101	DIODE		1	
	D4	DZ2J068M	ZENER DIODE		1	
	D5	DA2J101	DIODE		1	
	D6	B30-1743-05	LED(RE D LED)		1	
	D7	DA2J101	DIODE		1	
	D8	DA2J101	DIODE		1	
	D9	LM1MA142WK-G	DIODE		1	
	D10	DA2J101	DIODE		1	
	D11	DA2J101	DIODE		1	
	D12	MBRD10200CT	SCHOTTKY DIODE		1	
	D13	MBRD10200CT	SCHOTTKY DIODE		1	
	D14	MBRD10200CT	SCHOTTKY DIODE		1	
	D15	MBRD10200CT	SCHOTTKY DIODE		1	
	D16	DZ2J160M	ZENER DIODE		1	
	D17	DZ2J160M	ZENER DIODE		1	
	D18	DZ2J130M	ZENER DIODE		1	
	D19	DZ2J056M	ZENER DIODE		1	
	D20	DZ2J056M	ZENER DIODE		1	
	D22	DZ2J051M	ZENER DIODE		1	
	D23	LM1MA142WK-G	DIODE		1	
	D101	LM1MA142WK-G	DIODE		1	
	D102	LM1MA142WA-G	DIODE		1	
	D103	DA204U	MULTIPLE DIODE		1	
	D172	DA2J101	DIODE		1	
	D201	DA2J101	DIODE		1	
	D202	DA2J101	DIODE		1	
	D203	RF101L2S	DIODE		1	
	D204	RF101L2S	DIODE		1	
	D209	DA2J101	DIODE		1	
	D210	DA2J101	DIODE		1	
	C1	CK73EXR1E106K	C CAPACITOR	10uF 25V K	1	
	C2	CK73GBB1H103K	C CAPACITOR	0.01uF 50V K	1	
	C3	CK73GBB1C105K	C CAPACITOR	1uF 16V K	1	
	C4	CK73GBB1H102K	C CAPACITOR	1000pF 50V K	1	
	C5	CK73GBB1H104K	C CAPACITOR	0.1uF 50V K	1	
	C6	CK73GBB1H104K	C CAPACITOR	0.1uF 50V K	1	
	C7	CK73EXR1E106K	C CAPACITOR	10uF 25V K	1	
	C8	CC73GCH1H102J	C CAPACITOR	1000pF 50V J	1	
	C9	CD04BJ1E470M	E CAPACITOR	47uF 25V M	1	
	C10	CK73GBB1H104K	C CAPACITOR	0.1uF 50V K	1	
	C11	CK73GBB1C105K	C CAPACITOR	1uF 16V K	1	
	C12	CK73GBB1H103K	C CAPACITOR	0.01uF 50V K	1	
	C13	CK73GBB1H103K	C CAPACITOR	0.01uF 50V K	1	

MODEL	MARK
KAC-M3001	

Safe	Symbol No.	Parts No.	Parts Name	Description	QTY	Local
	C14	CK73EXR1E106K	C CAPACITOR	10uF 25V K	1	
	C15	CD04EK1C272M	E CAPACITOR		1	
	C16	CD04EK1C272M	E CAPACITOR		1	
	C17	CK73GGB1H152K	C CAPACITOR	1500pF 50V K	1	
	C18	CK73GGB1H152K	C CAPACITOR	1500pF 50V K	1	
	C19	CK73GGB1H152K	C CAPACITOR	1500pF 50V K	1	
	C20	CD04EK1V272M	E CAPACITOR		1	
	C21	CD04EK1V272M	E CAPACITOR		1	
	C22	CD04BJ1E470M	E CAPACITOR	47uF 25V M	1	
	C23	CD04BJ1E470M	E CAPACITOR	47uF 25V M	1	
	C24	CD04BJ1E470M	E CAPACITOR	47uF 25V M	1	
	C25	CD04BJ1E470M	E CAPACITOR	47uF 25V M	1	
	C26	CD04BJ1E470M	E CAPACITOR	47uF 25V M	1	
	C27	CD04BJ1E470M	E CAPACITOR	47uF 25V M	1	
	C28	CD04BJ1E470M	E CAPACITOR	47uF 25V M	1	
	C29	CD04BJ1E470M	E CAPACITOR	47uF 25V M	1	
	C31	CK73GGB1H104K	C CAPACITOR	0.1uF 50V K	1	
	C32	CD04BJ1A101M	E CAPACITOR	100uF 10V M	1	
	C33	CK73GGB1C105K	C CAPACITOR	1uF 16V K	1	
	C34	CK73GGB1H103K	C CAPACITOR	0.01uF 50V K	1	
	C35	CK73GGB1H103K	C CAPACITOR	0.01uF 50V K	1	
	C36	CK73GGB1C105K	C CAPACITOR	1uF 16V K	1	
	C94	CK73GGB1H103K	C CAPACITOR	0.01uF 50V K	1	
	C95	CK73GGB1H103K	C CAPACITOR	0.01uF 50V K	1	
	C96	CK73GGB1H103K	C CAPACITOR	0.01uF 50V K	1	
	C97	CK73GGB1H103K	C CAPACITOR	0.01uF 50V K	1	
	C98	CK73GGB1H103K	C CAPACITOR	0.01uF 50V K	1	
	C99	CK73GGB1H103K	C CAPACITOR	0.01uF 50V K	1	
	C101	CD04BJ1H100M	E CAPACITOR	10uF 50V M	1	
	C102	CD04BJ1H100M	E CAPACITOR	10uF 50V M	1	
	C103	CD04BJ1H100M	E CAPACITOR	10uF 50V M	1	
	C104	CD04BJ1H100M	E CAPACITOR	10uF 50V M	1	
	C105	CK73GGB1H102K	C CAPACITOR	1000pF 50V K	1	
	C106	CC73GCH1H330J	C CAPACITOR	33pF 50V J	1	
	C107	CC73GCH1H330J	C CAPACITOR	33pF 50V J	1	
	C108	CK73GGB1H103K	C CAPACITOR	0.01uF 50V K	1	
	C109	CK73GGB1H103K	C CAPACITOR	0.01uF 50V K	1	
	C110	CC73GCH1H151J	C CAPACITOR	150pF 50V J	1	
	C111	CC73GCH1H330J	C CAPACITOR	33pF 50V J	1	
	C112	CC73GCH1H151J	C CAPACITOR	150pF 50V J	1	
	C113	CD04BJ1H100M	E CAPACITOR	10uF 50V M	1	
	C114	CC73GCH1H470J	C CAPACITOR	47pF 50V J	1	
	C116	CK73GGB1H103K	C CAPACITOR	0.01uF 50V K	1	
	C117	CK73GGB1H103K	C CAPACITOR	0.01uF 50V K	1	
	C118	CK73GGB1H683K	C CAPACITOR	0.068uF 50V K	1	
	C119	CK73GGB1H104K	C CAPACITOR	0.1uF 50V K	1	
	C120	CK73GGB1H223K	C CAPACITOR	0.022uF 50V K	1	
	C121	CK73GGB1C224K	C CAPACITOR	0.22uF 16V K	1	
	C122	CK73GGB1H223K	C CAPACITOR	0.022uF 50V K	1	
	C123	CK73GGB1H333K	C CAPACITOR	0.033uF 50V K	1	
	C124	CC73GCH1H151J	C CAPACITOR	150pF 50V J	1	
	C125	CK73GGB1H103K	C CAPACITOR	0.01uF 50V K	1	
	C126	CK73GGB1H103K	C CAPACITOR	0.01uF 50V K	1	
	C127	CK73GXR1C225K	C CAPACITOR	2.2uF 16V K	1	
	C128	CK73GGB1H103K	C CAPACITOR	0.01uF 50V K	1	
	C129	CK73GGB1H104K	C CAPACITOR	0.1uF 50V K	1	
	C171	CK73GGB1H103K	C CAPACITOR	0.01uF 50V K	1	
	C172	CK73GGB1H102K	C CAPACITOR	1000pF 50V K	1	
	C173	CK73GGB1C105K	C CAPACITOR	1uF 16V K	1	
	C174	CK73GXR1E105K	C CAPACITOR	1uF 25V K	1	
	C201	CD04BJ1H100M	E CAPACITOR	10uF 50V M	1	
	C202	CD04BJ1H100M	E CAPACITOR	10uF 50V M	1	
	C203	CK73GGB1H222K	C CAPACITOR	2200pF 50V K	1	
	C204	CK73GGB1H222K	C CAPACITOR	2200pF 50V K	1	
	C205	CK73GGB1H222K	C CAPACITOR	2200pF 50V K	1	
	C206	CK73GGB1H222K	C CAPACITOR	2200pF 50V K	1	
	C207	CK73GGB1H102K	C CAPACITOR	1000pF 50V K	1	
	C208	CK73GXR0J106M	C CAPACITOR	10uF 6.3V M	1	
	C209	CK73GGB1H102K	C CAPACITOR	1000pF 50V K	1	
	C210	CK73GXR0J106M	C CAPACITOR	10uF 6.3V M	1	
	C211	CK73GGB1H103K	C CAPACITOR	0.01uF 50V K	1	
	C212	CK73EXR1E106K	C CAPACITOR	10uF 25V K	1	
	C213	CK73EXR1E106K	C CAPACITOR	10uF 25V K	1	
	C214	CK73EXR1C226M	C CAPACITOR	22uF 16V M	1	
	C215	CK73EXR1C226M	C CAPACITOR	22uF 16V M	1	
	C216	CK73EXR1E106K	C CAPACITOR	10uF 25V K	1	
	C217	C90-5793-05	E CAPACITOR		1	
	C218	C90-5793-05	E CAPACITOR		1	
	C219	C90-5793-05	E CAPACITOR		1	
	C220	C90-5793-05	E CAPACITOR		1	
	C221	CK73GGB1H104K	C CAPACITOR	0.1uF 50V K	1	
	C222	CK73GGB1H104K	C CAPACITOR	0.1uF 50V K	1	
	C223	CK73GGB1H104K	C CAPACITOR	0.1uF 50V K	1	
	C224	CK73GGB1H104K	C CAPACITOR	0.1uF 50V K	1	
	C225	CK73FBB1H224K	C CAPACITOR	0.22uF 50V K	1	
	C226	CK73FBB1H224K	C CAPACITOR	0.22uF 50V K	1	
	C227	CK73FBB1H224K	C CAPACITOR	0.22uF 50V K	1	
	C228	CK73FBB1H224K	C CAPACITOR	0.22uF 50V K	1	
	C229	CK73GGB1H152K	C CAPACITOR	1500pF 50V K	1	
	C230	CK73GGB1H152K	C CAPACITOR	1500pF 50V K	1	
	C231	CK73GGB1H152K	C CAPACITOR	1500pF 50V K	1	
	C232	CK73GGB1H152K	C CAPACITOR	1500pF 50V K	1	

MODEL	MARK
KAC-M3001	

Safe	Symbol No.	Parts No.	Parts Name	Description	QTY	Local
	C233	CF92JV1H225J	MPC CAPACITOR		1	
	C234	CF92JV1H225J	MPC CAPACITOR		1	
	C235	CK73GBB1H104K	C CAPACITOR	0.1uF 50V K	1	
	C236	CK73GBB1H104K	C CAPACITOR	0.1uF 50V K	1	
	C237	CK73GBB1H103K	C CAPACITOR	0.01uF 50V K	1	
	C239	CK73GBB1H103K	C CAPACITOR	0.01uF 50V K	1	
	C241	CK73GBB1H102K	C CAPACITOR	1000pF 50V K	1	
	C245	CK73GBB1H102K	C CAPACITOR	1000pF 50V K	1	
	C247	CK73GBB1H103K	C CAPACITOR	0.01uF 50V K	1	
	C248	CK73GBB1H103K	C CAPACITOR	0.01uF 50V K	1	
	C249	CK73GBB1H152K	C CAPACITOR	1500pF 50V K	1	
	C250	CK73GBB1H152K	C CAPACITOR	1500pF 50V K	1	
	C251	CK73GBB1H152K	C CAPACITOR	1500pF 50V K	1	
	C252	CK73GBB1H152K	C CAPACITOR	1500pF 50V K	1	
	R1	RK73EB2E392J	MG RESISTOR	3.9kΩ 1/4W J	1	
	R2	RK73EB2E392J	MG RESISTOR	3.9kΩ 1/4W J	1	
	R3	RK73GB2A152J	MG RESISTOR	1.5kΩ 1/10W J	1	
	R4	RK73GB2A103J	MG RESISTOR	10kΩ 1/10W J	1	
	R5	RK73GB2A682J	MG RESISTOR	6.8kΩ 1/10W J	1	
	R6	RK73GB2A682J	MG RESISTOR	6.8kΩ 1/10W J	1	
	R7	RK73GB2A392J	MG RESISTOR	3.9kΩ 1/10W J	1	
	R8	RK73GB2A472J	MG RESISTOR	4.7kΩ 1/10W J	1	
	R9	RK73GB2A472J	MG RESISTOR	4.7kΩ 1/10W J	1	
	R10	RK73GB2A203J	MG RESISTOR	20kΩ 1/10W J	1	
	R11	RK73GB2A104J	MG RESISTOR	100kΩ 1/10W J	1	
	R12	RK73GB2A102J	MG RESISTOR	1kΩ 1/10W J	1	
	R13	RK73GB2A102J	MG RESISTOR	1kΩ 1/10W J	1	
	R14	RK73GB2A472J	MG RESISTOR	4.7kΩ 1/10W J	1	
	R15	RK73GB2A103J	MG RESISTOR	10kΩ 1/10W J	1	
	R16	RK73GB2A113J	MG RESISTOR	11kΩ 1/10W J	1	
	R17	RK73GB2A104J	MG RESISTOR	100kΩ 1/10W J	1	
	R18	RK73EB2E152J	MG RESISTOR	1.5kΩ 1/4W J	1	
	R19	RK73GB2A822J	MG RESISTOR	8.2kΩ 1/10W J	1	
	R20	RK73GB2A273J	MG RESISTOR	27kΩ 1/10W J	1	
	R21	RK73GB2A472J	MG RESISTOR	4.7kΩ 1/10W J	1	
	R22	RK73GB2A333J	MG RESISTOR	33kΩ 1/10W J	1	
	R23	RK73GB2A103J	MG RESISTOR	10kΩ 1/10W J	1	
	R24	RK73GB2A753J	MG RESISTOR	75kΩ 1/10W J	1	
	R25	RK73GB2A101J	MG RESISTOR	100Ω 1/10W J	1	
	R26	RK73GB2A102J	MG RESISTOR	1kΩ 1/10W J	1	
	R27	RK73GB2A102J	MG RESISTOR	1kΩ 1/10W J	1	
	R28	RK73GB2A102J	MG RESISTOR	1kΩ 1/10W J	1	
	R29	RK73GB2A472J	MG RESISTOR	4.7kΩ 1/10W J	1	
	R30	RK73GB2A472J	MG RESISTOR	4.7kΩ 1/10W J	1	
	R31	RK73GB2A680J	MG RESISTOR	68Ω 1/10W J	1	
	R32	RK73GB2A680J	MG RESISTOR	68Ω 1/10W J	1	
	R33	RK73GB2A680J	MG RESISTOR	68Ω 1/10W J	1	
	R34	RK73GB2A680J	MG RESISTOR	68Ω 1/10W J	1	
	R35	RK73PB2H220J	MG RESISTOR	22Ω 1/2W J	1	
	R36	RK73PB2H220J	MG RESISTOR	22Ω 1/2W J	1	
	R37	RK73PB2H220J	MG RESISTOR	22Ω 1/2W J	1	
	R38	RK73EB2E473J	MG RESISTOR	47kΩ 1/4W J	1	
	R39	RK73EB2E473J	MG RESISTOR	47kΩ 1/4W J	1	
	R40	RK73EB2E4R7J	MG RESISTOR	4.7Ω 1/4W J	1	
	R41	RK73EB2E132J	MG RESISTOR	1.3kΩ 1/4W J	1	
	R42	RK73EB2E132J	MG RESISTOR	1.3kΩ 1/4W J	1	
	R43	RK73EB2E4R7J	MG RESISTOR	4.7Ω 1/4W J	1	
	R44	RK73EB2E4R7J	MG RESISTOR	4.7Ω 1/4W J	1	
	R45	RK73EB2E272J	MG RESISTOR	2.7kΩ 1/4W J	1	
	R46	RK73GB2A101J	MG RESISTOR	100Ω 1/10W J	1	
	R47	RK73GB2A101J	MG RESISTOR	100Ω 1/10W J	1	
	R48	RK73GB2A101J	MG RESISTOR	100Ω 1/10W J	1	
	R49	RK73GB2A100J	MG RESISTOR	10Ω 1/10W J	1	
	R50	RK73GB2A472J	MG RESISTOR	4.7kΩ 1/10W J	1	
	R51	RK73GB2A821J	MG RESISTOR	820Ω 1/10W J	1	
	R52	RK73GB2A153J	MG RESISTOR	15kΩ 1/10W J	1	
	R53	RK73GB2A103J	MG RESISTOR	10kΩ 1/10W J	1	
	R54	RK73EB2E561J	MG RESISTOR	560Ω 1/4W J	1	
	R55	RK73EB2E561J	MG RESISTOR	560Ω 1/4W J	1	
	R56	RK73GB2A104J	MG RESISTOR	100kΩ 1/10W J	1	
	R57	RK73GB2A183J	MG RESISTOR	18kΩ 1/10W J	1	
	R58	RK73GB2A223J	MG RESISTOR	22kΩ 1/10W J	1	
	R59	RK73GB2A223J	MG RESISTOR	22kΩ 1/10W J	1	
	R60	RK73GB2A101J	MG RESISTOR	100Ω 1/10W J	1	
	R61	RK73GB2A823J	MG RESISTOR	82kΩ 1/10W J	1	
	R62	RK73GB2A823J	MG RESISTOR	82kΩ 1/10W J	1	
	R63	RK73GB2A823J	MG RESISTOR	82kΩ 1/10W J	1	
	R64	RK73GB2A823J	MG RESISTOR	82kΩ 1/10W J	1	
	R65	RK73GB2A103J	MG RESISTOR	10kΩ 1/10W J	1	
	R66	RK73GB2A472J	MG RESISTOR	4.7kΩ 1/10W J	1	
	R67	RK73GB2A472J	MG RESISTOR	4.7kΩ 1/10W J	1	
	R68	RK73GB2A102J	MG RESISTOR	1kΩ 1/10W J	1	
	R69	RK73GB2A103J	MG RESISTOR	10kΩ 1/10W J	1	
	R70	RK73GB2A101J	MG RESISTOR	100Ω 1/10W J	1	
	R101	RK73EB2E103J	MG RESISTOR	10kΩ 1/4W J	1	
	R103	RK73EB2E103J	MG RESISTOR	10kΩ 1/4W J	1	
	R105	RK73GB2A273J	MG RESISTOR	27kΩ 1/10W J	1	
	R106	RK73GB2A273J	MG RESISTOR	27kΩ 1/10W J	1	
	R107	RK73GB2A273J	MG RESISTOR	27kΩ 1/10W J	1	
	R108	RK73GB2A273J	MG RESISTOR	27kΩ 1/10W J	1	
	R109	RK73GB2A224J	MG RESISTOR	220kΩ 1/10W J	1	
	R110	RK73GB2A224J	MG RESISTOR	220kΩ 1/10W J	1	
	R111	RK73GB2A472J	MG RESISTOR	4.7kΩ 1/10W J	1	

MODEL	MARK
KAC-M3001	

Safe	Symbol No.	Parts No.	Parts Name	Description	QTY	Local
	R112	RK73GB2A472J	MG RESISTOR	4.7kΩ 1/10W J	1	
	R113	RK73GH2A103D	MG RESISTOR	10kΩ 1/10W D	1	
	R114	RK73GH2A103D	MG RESISTOR	10kΩ 1/10W D	1	
	R115	RK73GH2A682D	MG RESISTOR	6.8kΩ 1/10W D	1	
	R116	RK73GH2A682D	MG RESISTOR	6.8kΩ 1/10W D	1	
	R117	RK73GB2A103J	MG RESISTOR	10kΩ 1/10W J	1	
	R118	RK73GB2A103J	MG RESISTOR	10kΩ 1/10W J	1	
	R119	RK73GB2A511J	MG RESISTOR	510Ω 1/10W J	1	
	R120	RK73GB2A431J	MG RESISTOR	430Ω 1/10W J	1	
	R121	RK73GB2A102J	MG RESISTOR	1kΩ 1/10W J	1	
	R122	RK73GB2A473J	MG RESISTOR	47kΩ 1/10W J	1	
	R123	RK73GB2A102J	MG RESISTOR	1kΩ 1/10W J	1	
	R124	RK73GB2A303J	MG RESISTOR	30kΩ 1/10W J	1	
	R125	RK73GB2A682J	MG RESISTOR	6.8kΩ 1/10W J	1	
	R126	RK73GB2A563J	MG RESISTOR	56kΩ 1/10W J	1	
	R127	RK73GB2A183J	MG RESISTOR	18kΩ 1/10W J	1	
	R128	RK73GB2A222J	MG RESISTOR	2.2kΩ 1/10W J	1	
	R129	RK73GB2A153J	MG RESISTOR	15kΩ 1/10W J	1	
	R130	RK73GB2A153J	MG RESISTOR	15kΩ 1/10W J	1	
	R131	RK73GB2A272J	MG RESISTOR	2.7kΩ 1/10W J	1	
	R132	RK73GB2A222J	MG RESISTOR	2.2kΩ 1/10W J	1	
	R133	RK73GB2A153J	MG RESISTOR	15kΩ 1/10W J	1	
	R138	RK73GB2A103J	MG RESISTOR	10kΩ 1/10W J	1	
	R139	RK73GB2A103J	MG RESISTOR	10kΩ 1/10W J	1	
	R140	RK73GB2A183J	MG RESISTOR	18kΩ 1/10W J	1	
	R141	RK73GB2A362J	MG RESISTOR	3.6kΩ 1/10W J	1	
	R142	RK73GB2A133J	MG RESISTOR	13kΩ 1/10W J	1	
	R143	RK73GB2A333J	MG RESISTOR	33kΩ 1/10W J	1	
	R144	RK73GB2A104J	MG RESISTOR	100kΩ 1/10W J	1	
	R145	RK73GB2A103J	MG RESISTOR	10kΩ 1/10W J	1	
	R146	RK73GB2A103J	MG RESISTOR	10kΩ 1/10W J	1	
	R153	RK73GB2A203J	MG RESISTOR	20kΩ 1/10W J	1	
	R171	RK73GB2A153J	MG RESISTOR	15kΩ 1/10W J	1	
	R172	RK73GB2A332J	MG RESISTOR	3.3kΩ 1/10W J	1	
	R173	RK73GB2A222J	MG RESISTOR	2.2kΩ 1/10W J	1	
	R174	RK73GB2A333J	MG RESISTOR	33kΩ 1/10W J	1	
	R175	RK73GB2A393J	MG RESISTOR	39kΩ 1/10W J	1	
	R176	RK73EB2E224J	MG RESISTOR	220kΩ 1/4W J	1	
	R177	RK73EB2E224J	MG RESISTOR	220kΩ 1/4W J	1	
	R178	RK73EB2E224J	MG RESISTOR	220kΩ 1/4W J	1	
	R179	RK73EB2E224J	MG RESISTOR	220kΩ 1/4W J	1	
	R180	RK73GB2A105J	MG RESISTOR	1MΩ 1/10W J	1	
	R181	RK73GB2A103J	MG RESISTOR	10kΩ 1/10W J	1	
	R182	RK73EB2E101J	MG RESISTOR	100Ω 1/4W J	1	
	R201	RK73GB2A332J	MG RESISTOR	3.3kΩ 1/10W J	1	
	R202	RK73GB2A332J	MG RESISTOR	3.3kΩ 1/10W J	1	
	R203	RK73GB2A473J	MG RESISTOR	47kΩ 1/10W J	1	
	R204	RK73GB2A473J	MG RESISTOR	47kΩ 1/10W J	1	
	R205	RK73GB2A181J	MG RESISTOR	180Ω 1/10W J	1	
	R206	RK73GB2A100J	MG RESISTOR	10Ω 1/10W J	1	
	R207	RK73GB2A201J	MG RESISTOR	200Ω 1/10W J	1	
	R208	RK73GB2A100J	MG RESISTOR	10Ω 1/10W J	1	
	R209	RK73GB2A103J	MG RESISTOR	10kΩ 1/10W J	1	
	R210	RK73GB2A103J	MG RESISTOR	10kΩ 1/10W J	1	
	R211	RK73GB2A103J	MG RESISTOR	10kΩ 1/10W J	1	
	R212	RK73GB2A103J	MG RESISTOR	10kΩ 1/10W J	1	
	R214	RK73GB2A912J	MG RESISTOR	9.1kΩ 1/10W J	1	
	R216	RK73GB2A472J	MG RESISTOR	4.7kΩ 1/10W J	1	
	R217	RK73GB2A100J	MG RESISTOR	10Ω 1/10W J	1	
	R218	RK73GB2A471J	MG RESISTOR	470Ω 1/10W J	1	
	R219	RK73GB2A102J	MG RESISTOR	1kΩ 1/10W J	1	
	R220	RK73GB2A103J	MG RESISTOR	10kΩ 1/10W J	1	
	R221	RK73GB2A103J	MG RESISTOR	10kΩ 1/10W J	1	
	R224	RK73GB2A103J	MG RESISTOR	10kΩ 1/10W J	1	
	R225	RK73GB2A103J	MG RESISTOR	10kΩ 1/10W J	1	
	R226	RK73GB2A223J	MG RESISTOR	22kΩ 1/10W J	1	
	R227	RK73GB2A223J	MG RESISTOR	22kΩ 1/10W J	1	
	R228	RK73GB2A223J	MG RESISTOR	22kΩ 1/10W J	1	
	R229	RK73GB2A223J	MG RESISTOR	22kΩ 1/10W J	1	
	R230	RK73GB2A100J	MG RESISTOR	10Ω 1/10W J	1	
	R231	RK73EB2E4R7J	MG RESISTOR	4.7Ω 1/4W J	1	
	R232	RK73EB2E4R7J	MG RESISTOR	4.7Ω 1/4W J	1	
	R233	RK73EB2E100J	MG RESISTOR	10Ω 1/4W J	1	
	R234	RK73EB2E100J	MG RESISTOR	10Ω 1/4W J	1	
	R235	RK73EB2E100J	MG RESISTOR	10Ω 1/4W J	1	
	R236	RK73EB2E100J	MG RESISTOR	10Ω 1/4W J	1	
	R237	RK73PB2H100J	MG RESISTOR	10Ω 1/2W J	1	
	R238	RK73PB2H100J	MG RESISTOR	10Ω 1/2W J	1	
	R239	RK73PB2H100J	MG RESISTOR	10Ω 1/2W J	1	
	R240	RK73PB2H100J	MG RESISTOR	10Ω 1/2W J	1	
	R241	RK73PB2H100J	MG RESISTOR	10Ω 1/2W J	1	
	R242	RK73PB2H100J	MG RESISTOR	10Ω 1/2W J	1	
	R243	RK73EB2E222J	MG RESISTOR	2.2kΩ 1/4W J	1	
	R244	RK73EB2E222J	MG RESISTOR	2.2kΩ 1/4W J	1	
	R245	RZ19E0AA60LJ	RESISTOR		1	
	R246	RK73GB2A272J	MG RESISTOR	2.7kΩ 1/10W J	1	
	R248	RZ19E0AA60LJ	RESISTOR		1	
	R249	RK73GB2A272J	MG RESISTOR	2.7kΩ 1/10W J	1	
	R251	RK73GB2A102J	MG RESISTOR	1kΩ 1/10W J	1	
	R253	RK73GB2A102J	MG RESISTOR	1kΩ 1/10W J	1	
	R255	RK73GB2A103J	MG RESISTOR	10kΩ 1/10W J	1	
	R256	RK73GB2A473J	MG RESISTOR	47kΩ 1/10W J	1	

MODEL	MARK
KAC-M3001	

Safe	Symbol No.	Parts No.	Parts Name	Description	QTY	Local
R263		RK73GB2A473J	MG RESISTOR	47k $\Omega$ 1/10W J	1	
VR1		R31-0258-05	VARIABLE RESISTOR	10K(A)	1	
VR2		R31-0257-05	VARIABLE RESISTOR	50K(C)	1	
L1		L3D-0014-00	CHOKO COIL		1	
L2		L3D-0014-00	CHOKO COIL		1	
T1		L1K-0008-00	CONVERT TRANS		1	
CN1		E63-0965-05	PIN JACK		1	
J1		E08-0413-05	R.RECEPTACLE		1	
J2		E7A-0004-00	SCREW TER.BOARD		1	
TH1		NCP18WB473J0S	N THERMISTOR	47k $\Omega$	1	