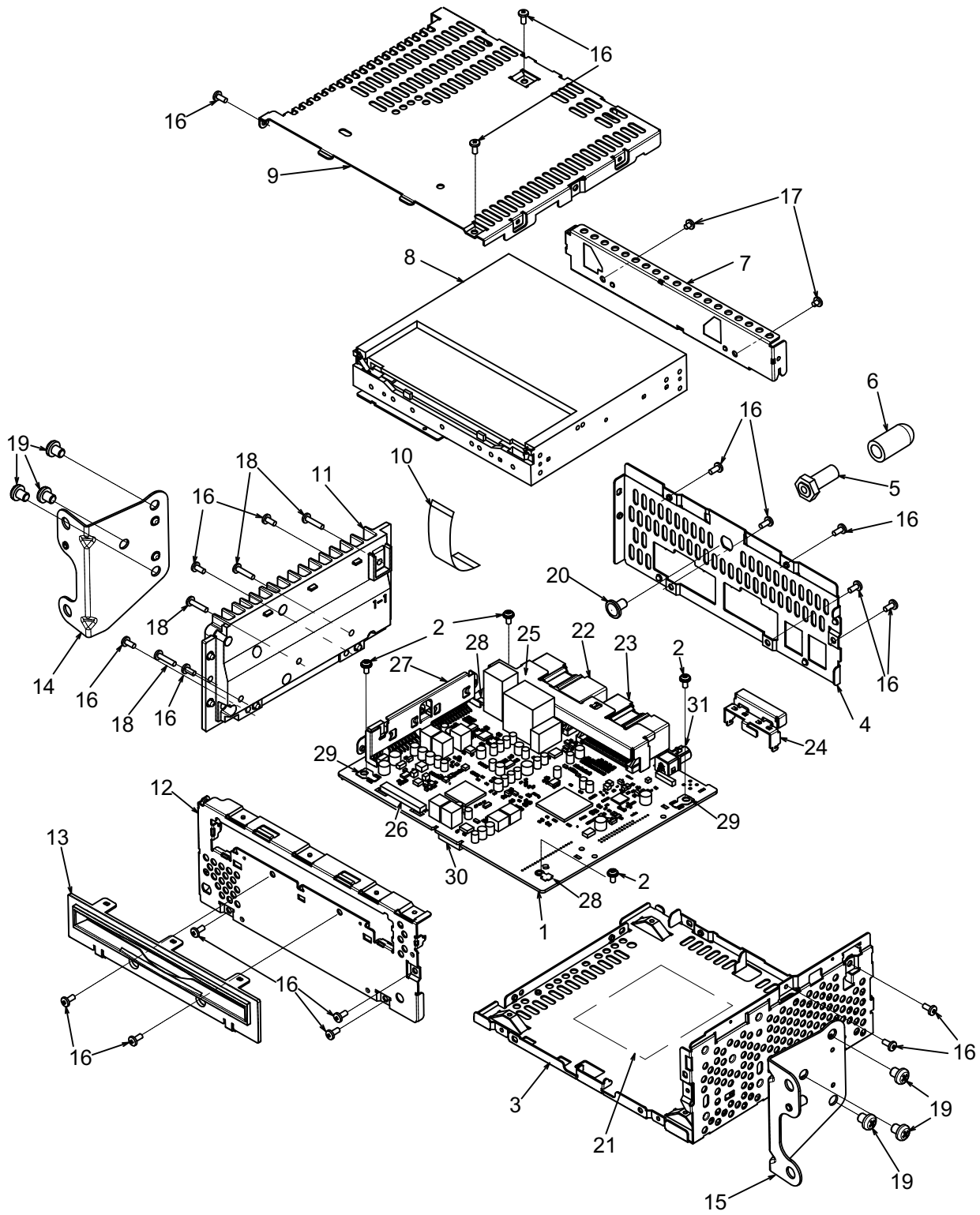


# EXPLODED VIEW/PARTS LIST



NO.	PART NO.	DESCRIPTION	Q'TY
1	-----	MAIN PWB	1
2	716-0878-50	IT SCREW(M2.6x5)	4
3	304-0492-01	LOWER CASE	1
4	307-0743-10	REAR-CVR	1
5	716-3607-00	REAR BOLT	1
6	345-6054-00	RUBBER PART	1
7	331-4824-00	MECH-BRKT	1
8	929-5034-80	CD-MECH-MODULE	1
9	303-0497-00	UPPER-CVR	1
10	816-4062-55	FLAT WIRE	1
11	313-2093-00	HEAT SINK	1
12	309-1905-01	FRONT PLATE	1
13	335-8684-01	DISC GUIDE	1
14	300-8241-01	MTG-BRKT-ASSY L	1
15	300-8242-01	MTG-BRKT-ASSY R	1
16	714-2606-8B	MACHINE SCREW(M2.6x6)	19

NO.	PART NO.	DESCRIPTION	Q'TY
17	714-2603-89	MACHINE SCREW(M2.6x3)	2
18	714-2612-8H	MACHINE SCREW(M2.6x12)	4
19	714-5006-8B	MACHINE SCREW(M5x6)	6
20	716-0678-50	SPECIAL SCREW(M5x0.8)	1
21	276-0681-42 276-0681-48	SETPLATE(PU-3207L-M) SETPLATE(PU-3207L-N)	1 1
22	074-4047-00	OUTLET SOCKET(24P)	1
23	074-4048-00	OUTLET SOCKET(26P)	1
24	331-4827-01	ANT-HOLDER	1
25	331-4826-00	CON-HOLDER	1
26	074-2216-77	PLUG(27P)	1
27	331-4825-00	IC-HOLDER	1
28	073-0768-90	TERMINAL	2
29	073-0762-90	TERMINAL	2
30	076-6000-58	PLUG(8P)	1
31	092-2233-01	ANT-RECEPT	1

# ELECTRICAL PARTS LIST

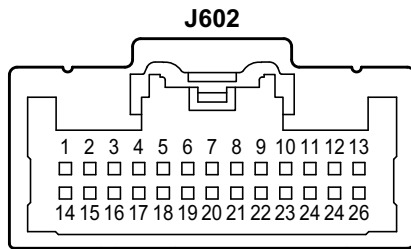
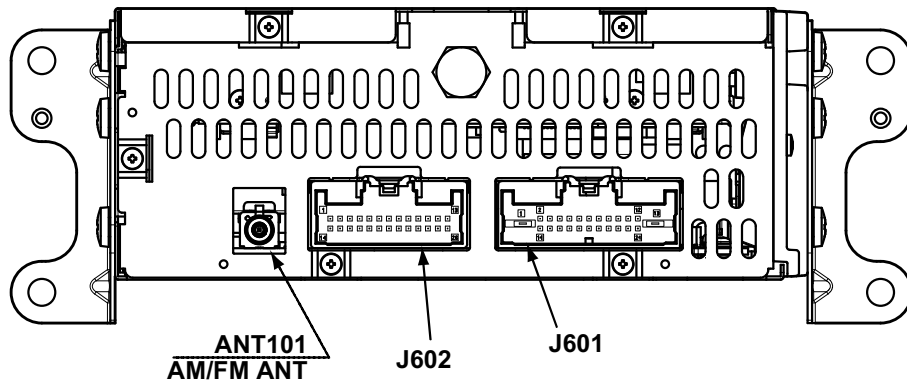
## Main PWB(B1) section

REF No.	PART No.	DESCRIPTION	REF No.	PART No.	DESCRIPTION	REF No.	PART No.	DESCRIPTION
ANT101	092-2233-01	ANT-RECEPT	C297	166-2201-50	22pF CH	C606	168-3912-55	390pF K
C101	045-2201-50	22pFJ CH	C301	166-1011-50	100pF CH	C607	168-3912-55	390pF K
C102	046-1022-58	50V 1000pF	C302	168-1042-78	16V 0.1uF K	C608	168-3912-55	390pF K
C103	046-1022-58	50V 1000pF	C305	165-4753-55	35V 4.7uF	C609	168-3912-55	390pF K
C104	045-4796-50	4.7pFJ CH	C306	168-1042-78	16V 0.1uF K	C612	166-1811-50	180pF CH
C106	045-1201-50	12pFJ CH	C307	042-0643-52	6.3V 1000uF	C615	165-2263-15	6.3V 22uF
C109	045-4701-50	47pF CH	C308	042-0643-52	6.3V 1000uF	C617	166-1811-50	180pF CH
C110	046-1022-58	50V 1000pF	C309	165-4753-55	35V 4.7uF	C619	165-2263-35	16V 22uF
C112	045-1801-50	18pFJ CH	C312	168-1042-78	16V 0.1uF K	C620	168-1042-78	16V 0.1uF K
C115	045-2701-50	27pFJ CH	C313	168-1022-55	1000pF K	C621	166-1811-50	180pF CH
C118	046-3922-58	3900pF K B	C314	168-1052-78	16V 1uF K	C624	168-1052-78	16V 1uF K
C119	046-1022-58	50V 1000pF	C315	168-1032-55	0.01uF K	C625	168-1052-78	16V 1uF K
C122	046-1032-78	16V 0.01uF	C402	168-1042-78	16V 0.1uF K	C630	168-1052-78	16V 1uF K
C124	046-1032-78	16V 0.01uF	C403	165-2263-15	6.3V 22uF	C631	168-1052-78	16V 1uF K
C133	046-3322-58	3300pF K B	C408	168-1042-78	16V 0.1uF K	C632	168-1052-78	16V 1uF K
C135	046-2232-78	0.022uF K B	C409	168-1042-78	16V 0.1uF K	C633	168-1052-78	16V 1uF K
C139	046-1022-58	50V 1000pF	C410	165-1063-35	16V 10uF	C634	043-0548-50	10V 2.2uF
C142	046-2232-78	0.022uF K B	C412	168-1042-78	16V 0.1uF K	C635	043-0548-50	10V 2.2uF
C143	165-4763-35	16V 47uF	C413	165-2263-35	16V 22uF	C636	043-0548-50	10V 2.2uF
C145	168-2242-58	0.22uF K	C414	042-1767-90	16V 470uF	C637	043-0548-50	10V 2.2uF
C146	046-2232-78	0.022uF K B	C416	168-1042-78	16V 0.1uF K	C639	168-1042-78	16V 0.1uF K
C147	046-2232-78	0.022uF K B	C418	168-1042-78	16V 0.1uF K	C640	168-2242-58	0.22uF K
C148	046-2232-78	0.022uF K B	C419	165-1073-35	16V 100uF	C641	042-4035-90	6.3V 22uF
C149	046-2232-78	0.022uF K B	C420	165-2263-35	16V 22uF	C642	168-4722-55	4700pF K
C171	046-1022-58	50V 1000pF	C422	042-0416-60	25V 10uF M TAN	C643	168-1042-78	16V 0.1uF K
C192	042-1784-90	16V 470uF	C423	168-1042-78	16V 0.1uF K	C644	168-6822-55	6800pF K
C201	165-4753-55	35V 4.7uF	C424	042-0423-97	16V 10uF	C645	168-1032-55	0.01uF K
C202	165-4753-55	35V 4.7uF	C425	168-3332-78	0.033uF K	C646	166-1011-50	100pF CH
C205	168-1052-78	16V 1uF K	C426	165-2263-35	16V 22uF	C647	166-1011-50	100pF CH
C206	046-1042-78	16V 0.1uF	C427	168-1042-78	16V 0.1uF K	C649	168-2222-55	2200pF K
C207	046-1042-78	16V 0.1uF	C428	165-2263-35	16V 22uF	C650	168-2222-55	2200pF K
C208	046-1042-78	16V 0.1uF	C429	168-1042-78	16V 0.1uF K	C657	168-2222-55	2200pF K
C209	046-1042-78	16V 0.1uF	C430	168-1042-78	16V 0.1uF K	C658	168-2222-55	2200pF K
C210	168-1042-78	16V 0.1uF K	C431	168-1022-55	1000pF K	C659	168-2222-55	2200pF K
C211	046-2232-78	0.022uF K B	C433	042-1767-90	16V 470uF	C660	168-2222-55	2200pF K
C212	046-2232-78	0.022uF K B	C434	168-1042-78	16V 0.1uF K	C662	168-2222-55	2200pF K
C213	046-2232-78	0.022uF K B	C435	168-1042-78	16V 0.1uF K	C663	168-2222-55	2200pF K
C214	046-2232-78	0.022uF K B	C504	168-1042-78	16V 0.1uF K	C664	168-2222-55	2200pF K
C215	046-1042-78	16V 0.1uF	C506	165-2263-35	16V 22uF	C665	168-2222-55	2200pF K
C216	168-2232-55	0.022uF K	C509	165-2263-15	6.3V 22uF	C666	168-2222-55	2200pF K
C217	166-9097-50	9pF +/-0.5pF CH	C511	165-1063-35	16V 10uF	C667	168-2222-55	2200pF K
C218	168-1042-78	16V 0.1uF K	C512	165-1063-35	16V 10uF	C668	168-2222-55	2200pF K
C219	166-9097-50	9pF +/-0.5pF CH	C513	165-1063-35	16V 10uF	C670	168-2222-55	2200pF K
C221	165-4753-55	35V 4.7uF	C514	165-1063-35	16V 10uF	C671	168-2222-55	2200pF K
C222	168-1042-78	16V 0.1uF K	C518	168-1222-55	1200pF K	C672	168-2222-55	2200pF K
C223	165-2263-15	6.3V 22uF	C520	168-1222-55	1200pF K	C673	168-2222-55	2200pF K
C224	168-4732-78	0.047uF K	C521	166-2201-50	22pF CH	C674	168-2222-55	2200pF K
C227	166-1007-50	10pF CH	C522	166-2201-50	22pF CH	C675	168-2222-55	2200pF K
C228	165-1073-15	6.3V 100uF	C523	166-5611-50	560pF CH	D101	001-9013-90	BA891
C231	168-1042-78	16V 0.1uF K	C524	166-5611-50	560pF CH	D102	001-9013-90	BA891
C233	046-2232-78	0.022uF K B	C525	166-2201-50	22pF CH	D403	001-1304-90	DAN202U
C235	042-0423-94	10V 4.7uF	C526	166-2201-50	22pF CH	D502	001-0529-21	MA8039-H
C239	046-1042-78	16V 0.1uF	C532	168-1222-55	1200pF K	D503	001-1304-90	DAN202U
C240	165-2263-15	6.3V 22uF	C534	168-1222-55	1200pF K	D504	001-0516-90	MA111
C242	168-1042-78	16V 0.1uF K	C535	166-5611-50	560pF CH	D601	001-0367-91	1SS226
C243	168-1052-78	16V 1uF K	C536	166-5611-50	560pF CH	D603	001-0516-90	MA111
C245	168-2232-55	0.022uF K	C547	168-1052-78	16V 1uF K	D604	001-0516-90	MA111
C247	165-4763-15	6.3V 47uF	C548	168-1052-78	16V 1uF K	D605	001-0529-41	MA8075-M
C250	168-1042-78	16V 0.1uF K	C549	168-1052-78	16V 1uF K	D606	001-4313-57	HZUL6A1L-TRF E
C251	168-1042-78	16V 0.1uF K	C550	168-1052-78	16V 1uF K	D607	001-4315-50	MMBZ27VCLT1G
C252	166-4711-50	470pF CH	C551	165-4763-35	16V 47uF	D609	001-4315-50	MMBZ27VCLT1G
C253	168-1042-78	16V 0.1uF K	C564	168-1052-78	16V 1uF K	D611	001-0592-00	RM4Z
C254	168-2232-55	0.022uF K	C565	165-3353-65	50V 3.3uF	IC101	-----	TEF7000 (PAD:402590-051)
C257	046-3322-58	3300pF K B	C566	168-6842-78	0.68uF K	IC201	-----	SAF7741HV N125 (PAD:674700-051)
C259	046-3322-58	3300pF K B	C567	043-0499-51	50V 0.1uF J	IC301	-----	uPD70F3352GC (PAD:032400-052)
C260	046-3322-58	3300pF K B	C568	042-1717-00	16V 3300uF	IC302	-----	BR24L32FV-WE2 (PAD:942790-051)
C261	046-3322-58	3300pF K B	C601	168-2242-58	0.22uF K	IC303	051-5423-08	S-80929CLMC-G6Z
C262	046-3322-58	3300pF K B	C602	168-2242-58	0.22uF K			
C263	046-3322-58	3300pF K B	C603	168-3912-55	390pF K			
C267	042-1678-00	16V 470uF	C604	168-3912-55	390pF K			
C296	166-2201-50	22pF CH	C605	166-1811-50	180pF CH			

REF No.	PART No.	DESCRIPTION	REF No.	PART No.	DESCRIPTION	REF No.	PART No.	DESCRIPTION
IC402	051-3578-90	S1167B15I6T2G	R211	119-0000-05	1/10W 0 ohm JW	R522	119-6821-15	1/10W 6.8k ohm
IC404	051-3580-90	S1112B33PIL6STFG	R212	119-2201-15	1/10W 22 ohm	R523	119-6821-15	1/10W 6.8k ohm
IC406	051-3577-90	S1206B33U3T1G	R217	119-0000-05	1/10W 0 ohm JW	R524	119-6821-15	1/10W 6.8k ohm
IC407	051-3510-01	TDA3681JR/N2C	R218	119-0000-05	1/10W 0 ohm JW	R525	119-6821-15	1/10W 6.8k ohm
IC408	051-3218-90	TA76431F	R220	119-1001-15	1/10W 10 ohm	R526	119-6821-15	1/10W 6.8k ohm
IC502	051-3034-90	NJM4558V	R221	033-0000-05	1/16W 0 ohm	R537	119-6821-15	1/10W 6.8k ohm
IC503	051-3019-90	NJM2060V	R223	119-0000-05	1/10W 0 ohm JW	R538	119-6821-15	1/10W 6.8k ohm
IC506	051-2068-00	TDA7562B	R224	119-0000-05	1/10W 0 ohm JW	R544	119-8221-15	1/10W 8.2k ohm
IC601	051-3034-90	NJM4558V	R228	119-0000-05	1/10W 0 ohm JW	R545	119-8221-15	1/10W 8.2k ohm
IC602	051-3034-90	NJM4558V	R230	033-1011-15	1/16W 100 ohm J	R546	119-8221-15	1/10W 8.2k ohm
IC603	051-6653-80	SN65HVD1040QDR Q1	R231	033-1011-15	1/16W 100 ohm J	R547	119-8221-15	1/10W 8.2k ohm
IC604	051-5423-08	S-80929CLMC-G6Z	R238	119-0000-05	1/10W 0 ohm JW	R554	119-3331-15	1/10W 33k ohm
J301	076-6000-58	8P	R239	119-0000-05	1/10W 0 ohm JW	R555	119-3331-15	1/10W 33k ohm
J302	074-2216-77	SOCKET(27P)	R240	119-1031-15	1/10W 10k ohm	R558	119-3331-15	1/10W 33k ohm
J601	074-4047-00	SOCKET(24P)	R242	119-1001-15	1/10W 10 ohm	R559	119-3331-15	1/10W 33k ohm
J602	074-4048-00	SOCKET(26P)	R243	119-1011-15	1/10W 100 ohm	R572	119-2231-15	1/10W 22k ohm
L101	010-3406-56	3.3uH J	R244	119-0000-05	1/10W 0 ohm JW	R573	119-4721-15	1/10W 4.7k ohm
L102	010-3062-54	290nH	R246	119-0000-05	1/10W 0 ohm JW	R578	119-1021-15	1/10W 1k ohm
L103	010-3439-50	047uH	R291	117-0000-05	1/8W 0 ohm JW	R579	119-1031-15	1/10W 10k ohm
L104	010-3062-54	290nH	R301	119-8221-15	1/10W 8.2k ohm	R582	119-1011-15	1/10W 100 ohm
L105	010-3439-51	1.8uH	R304	119-3321-15	1/10W 3.3k ohm	R583	119-1011-15	1/10W 100 ohm
L106	010-3062-53	0.215uH	R305	119-3331-15	1/10W 33k ohm	R601	032-0140-50	1/10W 10k ohm F
L107	010-2290-52	330uH	R306	119-3331-15	1/10W 33k ohm	R602	032-0140-50	1/10W 10k ohm F
L108	010-2290-52	330uH	R307	119-6831-15	1/10W 68k ohm	R603	032-0140-54	1/10W 22k ohm F
L110	010-2285-64	1k ohm/100MHz	R308	119-1231-15	1/10W 12k ohm	R604	032-0140-50	1/10W 10k ohm F
L201	010-2285-64	1k ohm/100MHz	R310	119-1521-15	1/10W 1.5k ohm	R605	032-0140-50	1/10W 10k ohm F
L202	010-2285-64	1k ohm/100MHz	R312	119-1011-15	1/10W 100 ohm	R606	032-0140-50	1/10W 10k ohm F
L203	010-2285-64	1k ohm/100MHz	R313	119-3331-15	1/10W 33k ohm	R607	032-0140-50	1/10W 10k ohm F
L204	010-3132-90	600 ohm/100MHz	R314	119-4731-15	1/10W 47k ohm	R608	119-0000-05	1/10W 0 ohm JW
L205	010-2285-64	1k ohm/100MHz	R315	033-1031-15	1/16W 10k ohm J	R609	119-0000-05	1/10W 0 ohm JW
L206	010-2285-64	1k ohm/100MHz	R316	033-1011-15	1/16W 100 ohm J	R610	119-0000-05	1/10W 0 ohm JW
L207	010-2285-64	1k ohm/100MHz	R317	033-1031-15	1/16W 10k ohm J	R611	119-0000-05	1/10W 0 ohm JW
L209	010-2285-64	1k ohm/100MHz	R318	033-1011-15	1/16W 100 ohm J	R612	032-0140-54	1/10W 22k ohm F
L291	010-2285-64	1k ohm/100MHz	R319	119-3331-15	1/10W 33k ohm	R613	119-0000-05	1/10W 0 ohm JW
L292	010-2285-64	1k ohm/100MHz	R320	119-3331-15	1/10W 33k ohm	R614	032-0140-54	1/10W 22k ohm F
L293	010-2285-64	1k ohm/100MHz	R323	033-1011-15	1/16W 100 ohm J	R615	119-1031-15	1/10W 10k ohm
L294	010-2285-64	1k ohm/100MHz	R324	033-1011-15	1/16W 100 ohm J	R616	119-1031-15	1/10W 10k ohm
L295	010-2285-64	1k ohm/100MHz	R328	119-1031-15	1/10W 10k ohm	R617	119-0000-05	1/10W 0 ohm JW
L296	010-2285-64	1k ohm/100MHz	R330	033-1031-15	1/16W 10k ohm J	R620	032-0140-00	1/10W 56k ohm F
L301	010-2285-64	1k ohm/100MHz	R331	033-1031-15	1/16W 10k ohm J	R621	032-0140-00	1/10W 56k ohm F
L302	010-2285-64	1k ohm/100MHz	R334	119-1001-15	1/10W 10 ohm	R626	032-0140-00	1/10W 56k ohm F
L402	010-2285-64	1k ohm/100MHz	R335	119-1001-15	1/10W 10 ohm	R627	032-0140-00	1/10W 56k ohm F
L601	010-8049-00	145uH	R350	033-6831-15	1/16W 68k ohm J	R628	032-0140-00	1/10W 56k ohm F
Q201	125-7007-90	Si5441BDC-TI-E3	R351	033-6831-15	1/16W 68k ohm J	R629	032-0140-00	1/10W 56k ohm F
Q403	103-2394-00	2SD2394	R352	033-3331-15	1/16W 33k ohm J	R630	119-1001-15	1/10W 10 ohm
Q404	125-9015-92	RN4902	R353	033-3331-15	1/16W 33k ohm J	R632	032-0140-54	1/10W 22k ohm F
Q507	125-2027-91	DTC114EUA	R394	033-1021-15	1/16W 1k ohm J	R633	032-0140-95	1/10W 20k ohm F
Q508	125-9015-92	RN4902	R395	033-1021-15	1/16W 1k ohm J	R634	032-0140-95	1/10W 20k ohm F
Q603	125-2027-91	DTC114EUA	R406	116-0000-05	1/4W 0 ohm JW	R635	032-0140-95	1/10W 20k ohm F
Q604	192-4081-00	2SC4081	R410	119-3321-15	1/10W 3.3k ohm	R636	032-0140-95	1/10W 20k ohm F
Q605	125-2043-90	DTC143TUA	R415	119-3321-15	1/10W 3.3k ohm	R638	032-0140-56	1/10W 12k ohm F
Q606	125-9015-92	RN4902	R416	032-0140-50	1/10W 10k ohm F	R641	032-0140-56	1/10W 12k ohm F
R101	033-4741-15	1/16W 470k ohm J	R417	032-0140-54	1/10W 22k ohm F	R642	032-0140-56	1/10W 12k ohm F
R103	033-4741-15	1/16W 470k ohm J	R418	119-4721-15	1/10W 4.7k ohm	R646	032-0140-56	1/10W 12k ohm F
R104	033-3311-15	1/16W 330 ohm J	R419	119-1031-15	1/10W 10k ohm	R647	032-0140-56	1/10W 12k ohm F
R105	033-1811-15	1/16W 180 ohm J	R420	119-1231-15	1/10W 12k ohm	R648	032-0140-56	1/10W 12k ohm F
R107	033-5601-15	1/16W 56 ohm J	R421	116-2211-15	1/4W 220 ohm	R649	119-2021-15	1/10W 2k ohm
R123	033-2231-15	1/16W 22k ohm J	R422	116-2211-15	1/4W 220 ohm	R650	119-1011-15	1/10W 100 ohm
R129	033-3921-15	1/16W 3.9k ohm J	R423	119-9121-15	1/10W 9.1k ohm	R651	119-1021-15	1/10W 1k ohm
R132	033-0000-05	1/16W 0 ohm	R424	119-1021-15	1/10W 1k ohm	R652	119-1021-15	1/10W 1k ohm
R133	033-0000-05	1/16W 0 ohm	R425	119-1021-15	1/10W 1k ohm	R653	119-2231-15	1/10W 22k ohm
R134	033-0000-05	1/16W 0 ohm	R426	119-1021-15	1/10W 1k ohm	R654	119-1031-15	1/10W 10k ohm
R135	033-0000-05	1/16W 0 ohm	R501	119-1021-15	1/10W 1k ohm	R655	119-4721-15	1/10W 4.7k ohm
R136	033-0000-05	1/16W 0 ohm	R502	119-1021-15	1/10W 1k ohm	R656	119-2031-15	1/10W 20k ohm
R147	033-0000-05	1/16W 0 ohm	R503	119-1021-15	1/10W 1k ohm	R657	116-2011-15	1/4W 200 ohm
R148	033-0000-05	1/16W 0 ohm	R504	119-1021-15	1/10W 1k ohm	R658	119-4711-15	1/10W 470 ohm
R191	033-4701-15	1/16W 47 ohm J	R506	119-1001-15	1/10W 10 ohm	R659	119-1031-15	1/10W 10k ohm
R201	119-1031-15	1/10W 10k ohm	R512	119-1031-15	1/10W 10k ohm	R660	032-0166-01	1/4W 62 ohm
R202	033-0000-05	1/16W 0 ohm	R513	119-1031-15	1/10W 10k ohm	R661	032-0166-01	1/4W 62 ohm
R203	033-0000-05	1/16W 0 ohm	R517	119-4731-15	1/10W 47k ohm	R662	119-1241-15	1/10W 120k ohm
R205	119-0000-05	1/10W 0 ohm JW	R518	119-4731-15	1/10W 47k ohm	R663	119-2041-15	1/10W 200k ohm
R207	119-1031-15	1/10W 10k ohm	R519	119-4731-15	1/10W 47k ohm	R670	119-1051-15	1/10W 1M ohm
R208	119-1031-15	1/10W 10k ohm	R520	119-4731-15	1/10W 47k ohm	R671	119-1051-15	1/10W 1M ohm
			R521	119-6821-15	1/10W 6.8k ohm	R687	116-2011-15	1/4W 200 ohm

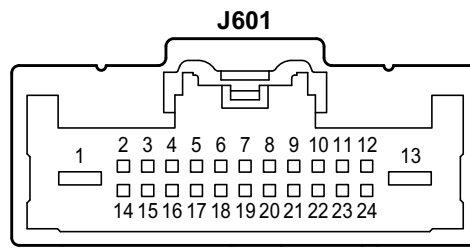
REF No.	PART No.	DESCRIPTION	REF No.	PART No.	DESCRIPTION	REF No.	PART No.	DESCRIPTION
R991	119-0000-05	1/10W 0 ohm JW	TM103	073-0762-90	TERMINAL	PWB	039-3537-00	PWB(WITHOUT COMPONENT)
SUP101	060-0122-91	DSP-141N-S00B	TM104	073-0768-90	TERMINAL			
TM101	073-0762-90	TERMINAL	X201	061-3537-90	41.6MHz			
TM102	073-0768-90	TERMINAL	X301	060-1552-90	4MHz			

## CONNECTIONS



**J602**

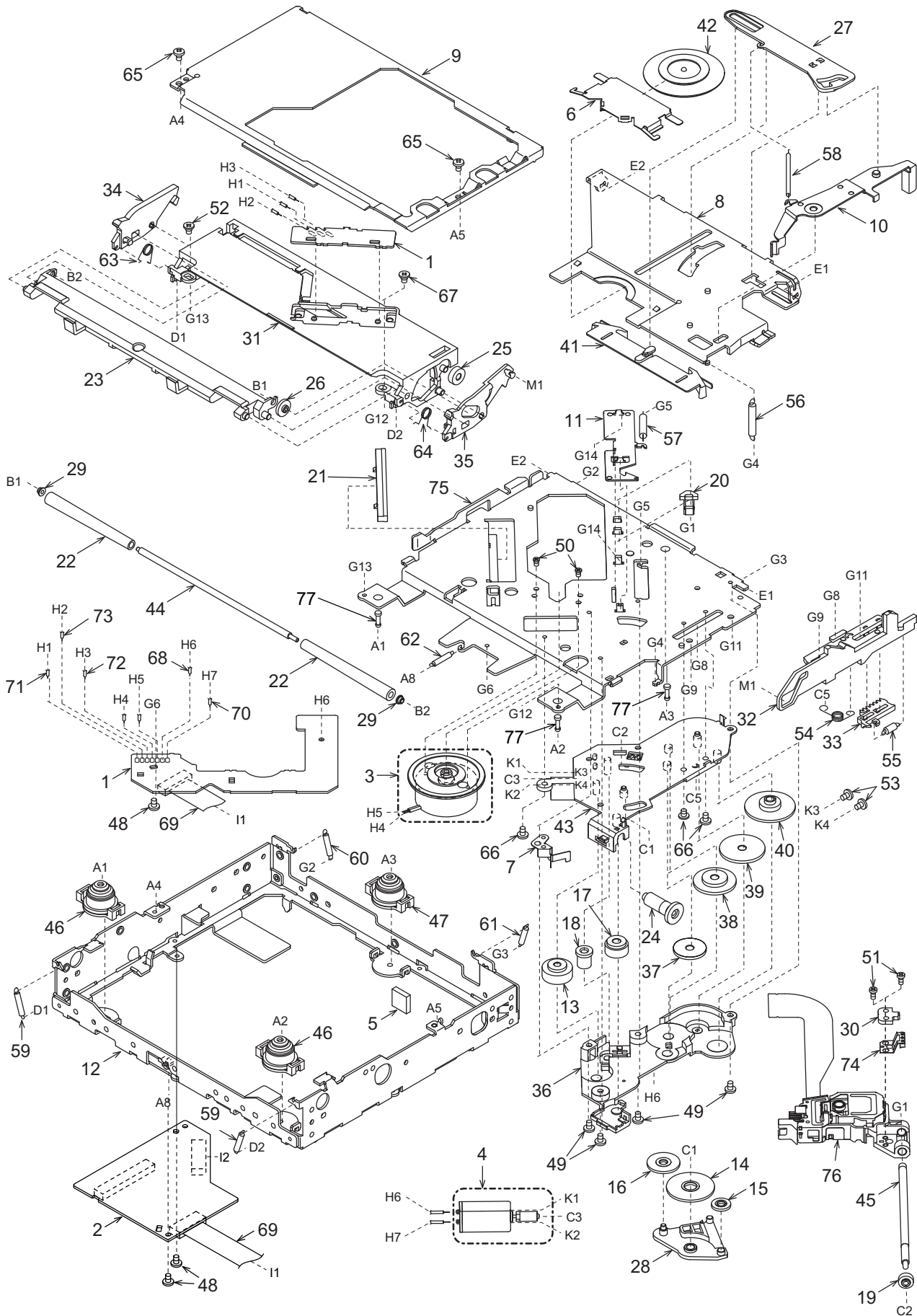
No.	Description	No.	Description
1	N.C.	14	N.C.
2	N.C.	15	N.C.
3	GND	16	GND
4	N.C.	17	N.C.
5	N.C.	18	AE-CD 1
6	N.C.	19	N.C.
7	N.C.	20	N.C.
8	ALERT 1(+)	21	ALERT 1(-)
9	N.C.	22	N.C.
10	N.C.	23	N.C.
11	N.C.	24	N.C.
12	ST 1 L(+)	25	ST 1 L(-)
13	ST 1 R(+)	26	ST 1 R(-)



**J601**

No.	Description	No.	Description
1	B/U	13	GND
2	SW+B	14	CAN HI
3	START	15	CAN LOW
4	N.C.	16	AIJ SHIELD
5	N.C.	17	AIJ L(+)
6	AIJ COMMON	18	AIJ R(+)
7	N.C.	19	C/I SHIELD
8	N.C.	20	N.C.
9	RL SP(-)	21	RL SP(+)
10	FL SP(-)	22	FL SP(+)
11	FR SP(-)	23	FR SP(+)
12	RR SP(-)	24	RR SP(+)

# EXPLODED VIEW/PARTS LIST



NO.	PART NO.	DESCRIPTION	Q'TY
1	-----	SENSOR PWB	1
2	-----	CD PWB	1
3	SMA-182-100	SPINDLE MOTOR-ASSY	1
4	SMA-197-100	SLED MOTOR-ASSY	1
5	345-5476-20	CUSHION RUBBER	1
6	620-1023-23	CLAMPER PLATE	1
7	620-1026-21	SPRING PLATE	1
8	620-1596-23	CLAMPER LINK	1
9	620-1862-20	UPPER CHASSIS	1
10	620-1752-20	SENSOR ARM	1
11	620-1753-20	ID-LOCK PLATE	1
12	620-1868-20	LOWER CHASSIS	1
13	621-0608-21	SECOND GEAR	1
14	621-0609-21	BASE GEAR	1
15	621-0610-21	IDLE GEAR A	1
16	621-0611-21	IDLE GEAR B	1
17	621-0612-22	ROLLER GEAR A	1
18	621-0620-20	THREAD GEAR A	1
19	621-0621-20	THREAD GEAR B	1
20	621-0623-24	LS-HOLDER	1
21	621-0624-22	GUIDE RAIL	1
22	621-0711-21	LOADING ROLLER	2
23	621-0718-21	ROLLER GUIDE	1
24	621-0719-20	ROLLER GEAR B	1
25	621-0720-20	ROLLER GEAR C	1
26	621-0721-20	ROLLER GEAR D	1
27	621-0728-20	STOPPER LINK	1
28	621-1719-21	IDLE CASE	1
29	621-1726-21	ROLLER SLEEVE	2
30	621-1729-21	SH-BASE	1
31	621-1742-20	UPPER GUIDE	1
32	621-1743-20	SHIFT LEVER	1
33	621-1744-20	RACK	1
34	621-1745-20	LOCK ARM L	1
35	621-1746-20	LOCK ARM R	1
36	621-1747-20	GEAR COVER	1
37	621-1748-20	POWER GEAR A	1
38	621-1749-20	POWER GEAR B	1
39	621-1750-20	POWER GEAR C	1

NO.	PART NO.	DESCRIPTION	Q'TY
40	621-1751-20	POWER GEAR D	1
41	621-1752-20	DISC STOPPER	1
42	621-1753-20	CLAMPER RING	1
43	621-1754-20	GEAR BASE	1
44	622-1571-21	ROLLER SHAFT	1
45	624-3059-00	LEAD SCREW	1
46	629-0086-20	DAMPER F	2
47	629-0087-20	DAMPER R	1
48	716-1507-01	SCREW(M2x3)	3
49	716-1670-01	SCREW(M2x4)	4
50	716-1733-01	SCREW(M1.7x2.3)	2
51	716-3469-01	SCREW(1.7x4)	2
52	716-3473-01	SCREW(M2x3)	1
53	716-3551-00	SCREW(M1.4x2.5)	2
54	750-7865-20	SHIFT SPRING	1
55	750-7866-20	RACK SPRING	1
56	750-7867-20	CLAMPER SPRING	1
57	750-7868-20	ID-LOCK SPRING	1
58	750-7869-20	SENSOR SPRING	1
59	750-7870-20	DR-SPRING F	2
60	750-7871-20	DR-SPRING RA	1
61	750-7872-20	DR-SPRING RB	1
62	750-7873-20	DR-SPRING C	1
63	750-6797-20	ROLLER SPRING L	1
64	750-6798-20	ROLLER SPRING R	1
65	714-2003-8B	SCREW(M2x3)	2
66	780-2025-00	SCREW(M2x2.5)	3
67	781-1730-00	SCREW(M1.7x3)	1
68	803-4906-60	VINYL-COAT-WIRE(ORG)	1
69	816-2542-06	FLAT WIRE	1
70	816-2590-00	VINYL-COAT-WIRE(GRN)	1
71	816-2591-00	VINYL-COAT-WIRE(YEL)	1
72	816-2592-00	VINYL-COAT-WIRE(BLUE)	1
73	816-2593-00	VINYL-COAT-WIRE(PUR)	1
74	966-1722-21	SH-RACK-ASSY	1
75	620-1866-20	DRIVE-PLATE	1
76	969-0075-31	PICKUP-ASSY	1
77	622-1570-21	DAMPER PIN	3

# ELECTRICAL PARTS LIST

## CD PWB(BM1) section

REF No.	PART No.	DESCRIPTION	REF No.	PART No.	DESCRIPTION	REF No.	PART No.	DESCRIPTION
C2	168-1052-78	16V 1uF K	C43	168-1042-78	16V 0.1uF K	R4	119-1001-15	1/10W 10 ohm
C3	165-1073-35	16V 100uF	C44	168-1042-78	16V 0.1uF K	R5	033-1541-15	1/16W 150k ohm J
C4	168-1042-78	16V 0.1uF K	C46	046-1522-58	1500pF K B	R6	033-1031-15	1/16W 10k ohm J
C6	168-1052-78	16V 1uF K	C47	046-3322-58	3300pF K B	R7	033-2221-15	1/16W 2.2k ohm J
C7	042-1710-90	6.3V 100uF	C48	046-1032-78	16V 0.01uF	R8	033-1831-15	1/16W 18k ohm J
C8	168-1052-78	16V 1uF K	C49	168-1042-78	16V 0.1uF K	R9	033-1231-15	1/16W 12k ohm J
C9	046-4712-58	470pF K B	C54	168-1532-55	0.015uF K	R10	033-1051-15	1/16W 1M ohm J
C10	046-4732-78	16V 0.047uF	C55	168-1042-78	16V 0.1uF K	R11	033-2211-15	1/16W 220 ohm J
C11	046-4712-58	470pF K B	C56	168-1042-78	16V 0.1uF K	R12	119-0000-05	1/10W 0 ohm JW
C12	046-4732-78	16V 0.047uF	C58	045-6097-50	6 +/-0.5pF CH	R19	033-0000-05	1/16W 0 ohm
C14	168-1042-78	16V 0.1uF K	C59	045-4701-50	47pF CH	R22	033-2231-15	1/16W 22k ohm J
C15	045-1201-50	12pFJ CH	C60	168-1042-78	16V 0.1uF K	R23	033-4731-15	1/16W 47k ohm J
C16	045-1201-50	12pFJ CH	C63	168-1042-78	16V 0.1uF K	R25	033-1041-15	1/16W 100k ohm J
C17	168-1042-78	16V 0.1uF K	C64	165-4763-15	6.3V 47uF	R26	033-0000-05	1/16W 0 ohm
C18	168-2222-55	2200pF K	C66	168-1042-78	16V 0.1uF K	R27	033-4731-15	1/16W 47k ohm J
C19	168-1042-78	16V 0.1uF K	C68	168-1042-78	16V 0.1uF K	R29	033-5621-15	1/16W 5.6k ohm J
C20	168-1042-78	16V 0.1uF K	C69	042-1710-90	6.3V 100uF	R30	033-2231-15	1/16W 22k ohm J
C22	046-6822-58	6800pF K B	C74	165-4763-15	6.3V 47uF	R31	033-4731-15	1/16W 47k ohm J
C24	046-3332-78	0.033uF K B	C75	168-1042-78	16V 0.1uF K	R32	033-3341-15	1/16W 330k ohm J
C25	046-3332-78	0.033uF K B	C77	046-1042-78	16V 0.1uF	R36	033-1011-15	1/16W 100 ohm J
C26	043-0570-90	16V 2.2uF K	C81	046-1042-78	16V 0.1uF	R38	033-1041-15	1/16W 100k ohm J
C28	043-0570-90	16V 2.2uF K	CCT1	050-0140-60	1/32W 33k ohm x4J	R39	033-0000-05	1/16W 0 ohm
C29	168-1042-78	16V 0.1uF K	CCT2	050-0140-64	1/32W 100k ohm x4J	R41	033-0000-05	1/16W 0 ohm
C30	168-1042-78	16V 0.1uF K	D1	001-1305-90	DAN217U-T106	R42	033-0000-05	1/16W 0 ohm
C31	168-1042-78	16V 0.1uF K	IC1	051-6733-10	TC94A70FG-005	R45	033-1021-15	1/16W 1k ohm J
C33	168-1042-78	16V 0.1uF K	IC2	051-6101-90	BD8226EFV	R68	033-1021-15	1/16W 1k ohm J
C34	168-1042-78	16V 0.1uF K	IC3	051-3579-90	S1112B15MCL6ATFG	R91	119-0000-05	1/10W 0 ohm JW
C36	168-1042-78	16V 0.1uF K	IC4	051-3516-90	S-1132B33-U5T1G	R92	119-0000-05	1/10W 0 ohm JW
C37	046-5622-58	5600pF K B	J1	074-2215-65	15P	R93	119-0000-05	1/10W 0 ohm JW
C38	045-6801-50	68pFJ CH	J2	074-2215-60	10P	R94	119-0000-05	1/10W 0 ohm JW
C39	168-1042-78	16V 0.1uF K	J3	074-2216-77	SOCKET(27P)	TM1	073-0768-90	TERMINAL
C40	046-1532-78	0.015uF K B	Q1	190-2060-00	2SA2060	X1	061-3572-90	16.92MHZ
C41	168-1042-78	16V 0.1uF K	R1	119-2211-15	1/10W 220 ohm	PWB101	039-3536-00	PWB(WITHOUT COMPONENTS)
C42	046-1032-78	16V 0.01uF	R2	117-6811-15	1/10W 680 ohm			

## SENSOR PWB(BM2) section

REF No.	PART No.	DESCRIPTION	REF No.	PART No.	DESCRIPTION	REF No.	PART No.	DESCRIPTION
D1	001-7058-90	AN1105W-RR	Q1	060-4015-91	PS1192HB-32-TR	S2	013-7413-50	LIMIT
D2	001-7058-90	AN1105W-RR	Q2	060-4015-91	PS1192HB-32-TR	PWB	039-2675-20	PWB(WITHOUT COMPONENTS)
J1	074-2215-60	SOCKET (10P)	S1	013-7414-50	CHUCKING			